



645 E. 7th ST., ST. PAUL, MINN. 55106  
 TELEPHONE (612) 771-5581  
 TELEX NO. 29-7403

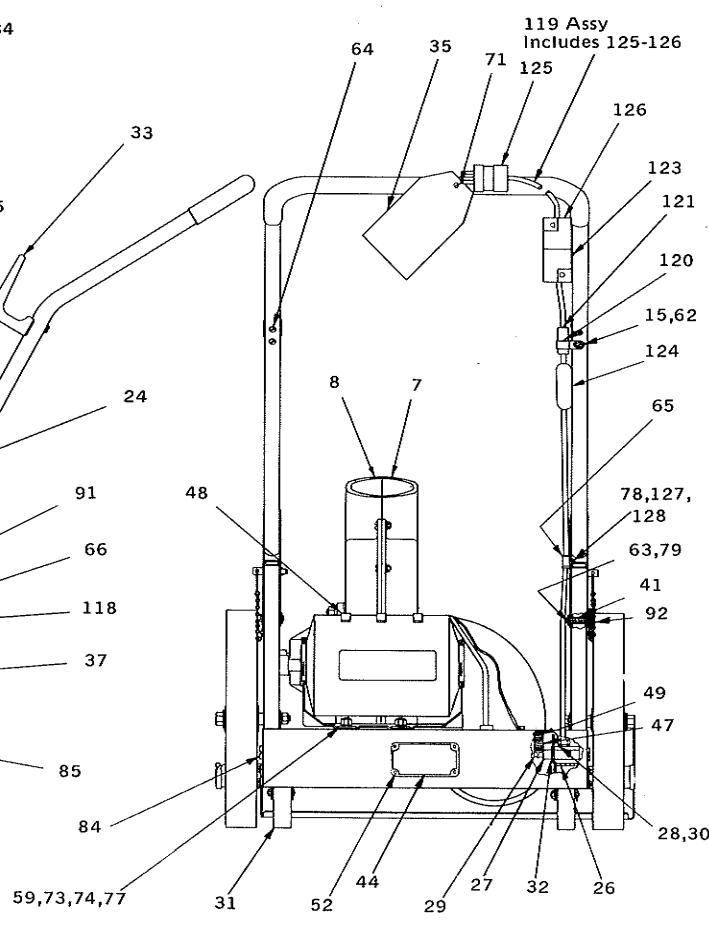
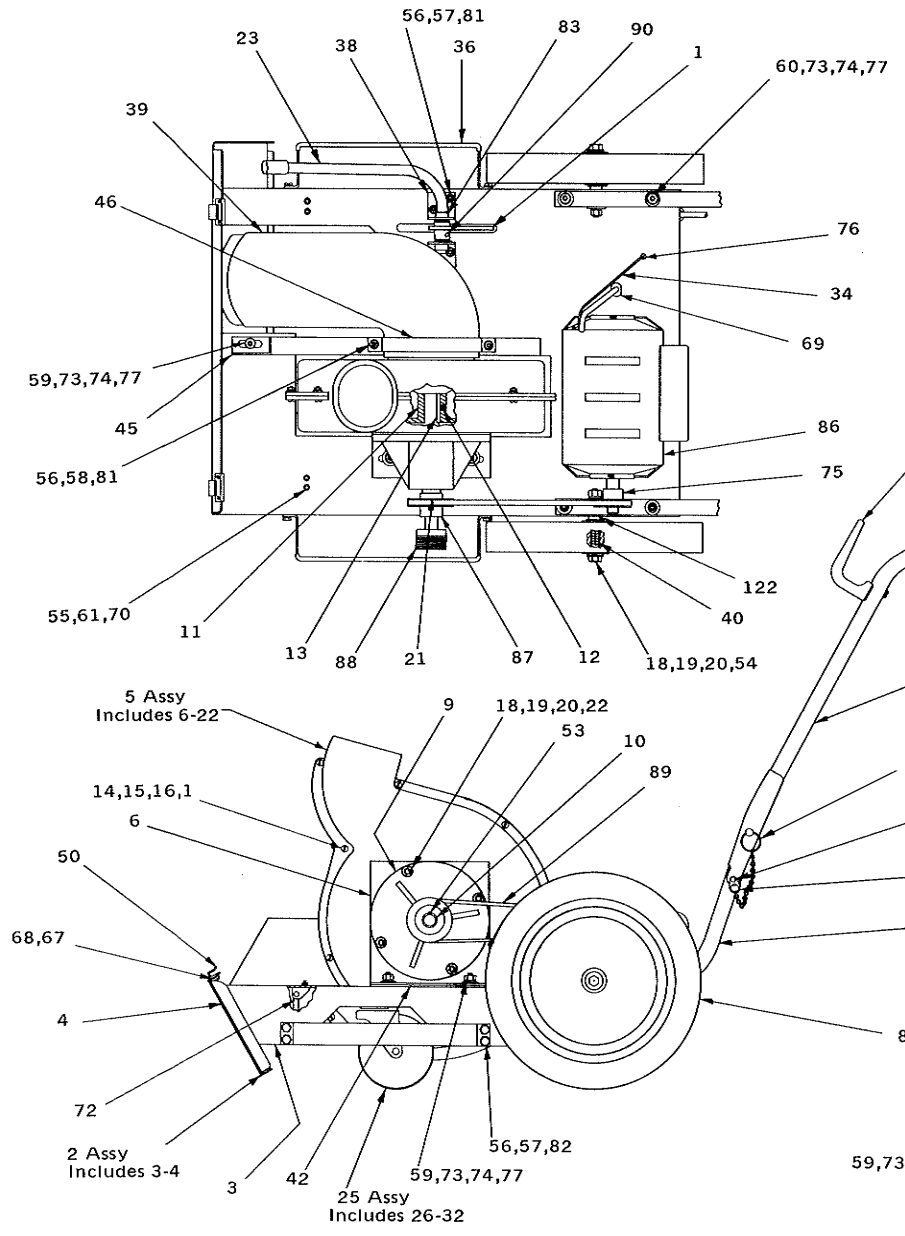
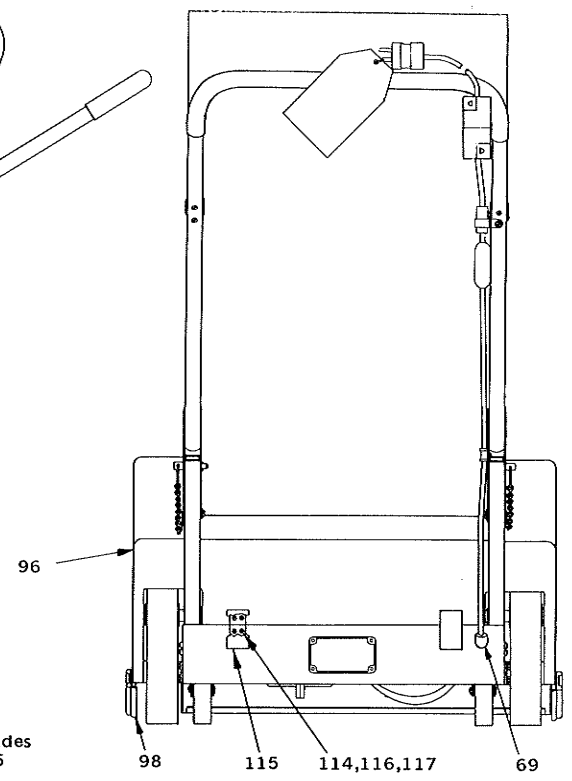
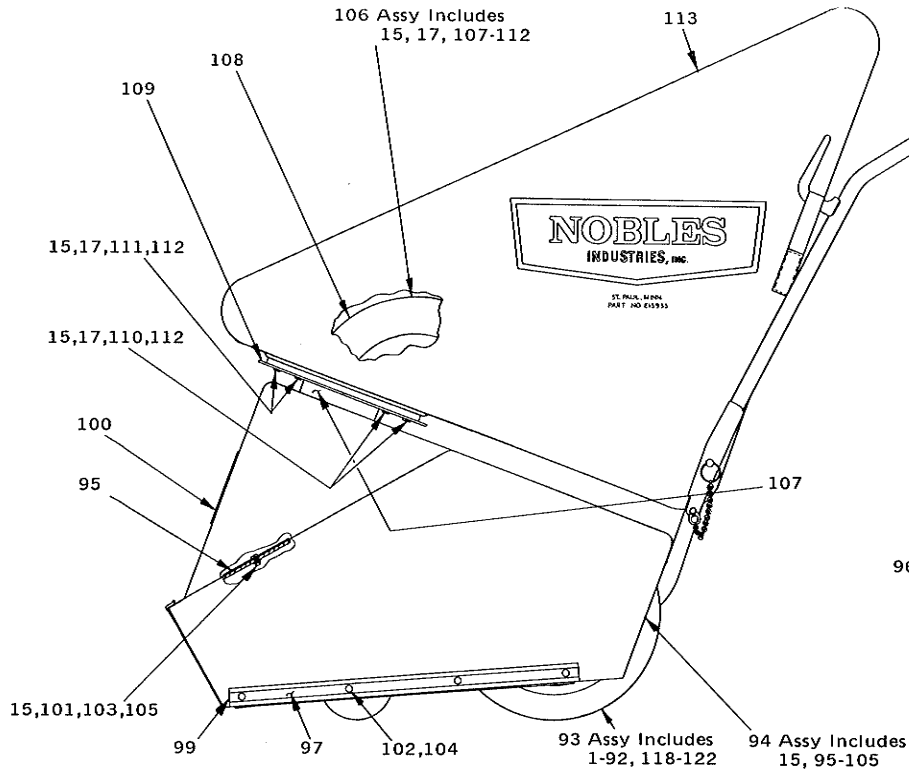
**PARTS BREAKDOWN**  
**SUPER CARPET VAC ASSEMBLY E-16499**  
 New Turbine starts with Serial # 1600, Item 5

NO.	ORDER BY	QTY.	DESCRIPTION
1	B15913	1	Assy - Sleeve & Cam
2	C15970	1	Assy - Base & Gasket (includes 3,4)
3	D15915	1	Assy - Base & Front Plate
4	C15966	1	Gasket
5	C21624	1	Assy - Turbine (includes 6 through 22) (replaces old turbine)
6	C15923	1	Bracket, Turbine
7	D21427	1	Turbine, Intake (half) )
8	D21428	1	Turbine, Bearing (half) ) Matched Set
9	C15960	1	Mount, Turbine Bearing
10	B15961	1	Shaft, Turbine
11	C15962	1	Fan, Turbine
12	K9558-6	2	Screw, Set
13	K9566-24	1	Key
14	K2871-10	8	Washer, Flat
15	K2964-10	20	Washer, Lock
16	K4770-14	8	Screw, Pan Hd.
17	K5035	14	Nut
18	K6066	6	Nut
19	K14880-6	8	Washer, Flat
20	K14881-6	6	Washer, Lock
21	K15972	2	Bearing
22	K15974-10	4	Screw, Flat Hd.
23	B16167	1	Assy - Handle
24	C16467	1	Assy - Handle & Brackets
25	C16468	1	Assy - Carriage (includes 26 through 32)
26	C15931	1	Assy - Caster Bracket & Rod
27	A15930	1	Pin
28	K2833	2	Nut, Hex
29	K5577	1	Pin, Roll
30	K14180-8	2	Washer, Lock
31	K18397	2	Caster
32	K15996	2	E-Ring
33	C3977	2	Holder, Cord
34	A5065	1	Wire, Ground
35	A13086	1.	Tag
36	C15900	2	Bracket
37	C15901	2	Handle, Lower
38	B15910	2	Bracket
39	B15957	1	Tube
40	A15963	2	Spacer, Wheel
41	A15964	2	Spacer, Handle
42	A15980	1	Spacer
43	B22084	1	Cord, Power (Includes 123, 124)
44	A16000	1	Nameplate
45	C16011	1	Brace, Turbine
46	B16012	1	Clamp, Hose
47	A16469	1	Spring
48	A16588	3	Strip, Foam
49	A16470	2	Retainer, Spring
50	B16575	2	Clip Cover
52	K9437	4	Drivescrews
53	K9566-30	1	Key
54	K2949-30	2	Screw, Hex Hd.
55	K2964-06	4	Washer, Lock
56	K2964-14	14	Washer, Lock
57	K2998-4	12	Screw, Hex. Hd.
58	K2998-5	2	Screw, Hex. Hd.

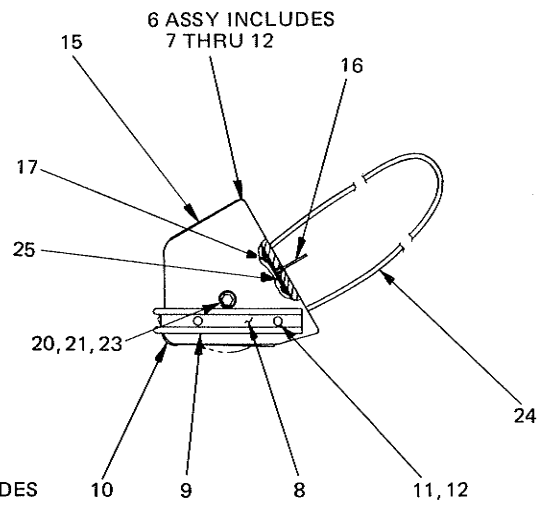
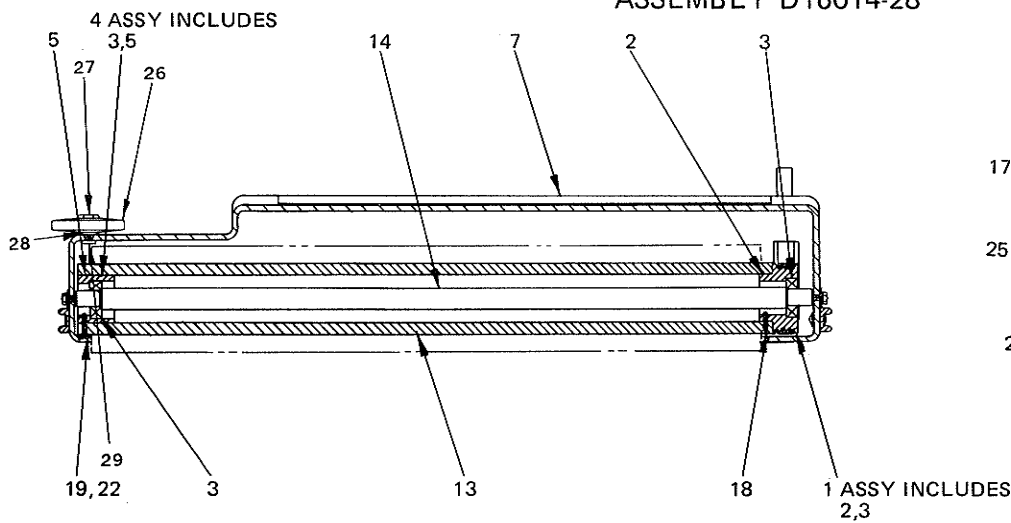
PRICES ON REQUEST

NO.	ORDER BY	QTY.	DESCRIPTION
59	K3036-12	8	Screw, Hex. Hd.
60	K3036-24	4	Hex. Hd. Cap Screw
61	K3069	4	Nut, Hex.
62	K5025-18	1	Screw, Round Head
63	K5025-22	2	Screw, Round Head
64	K5090-16	3	Screw, Oval Head
65	K5853	1	Clamp, Tube
66	K6012	2	Nut, Cap
67	K17528	4	Nut, Hex
68	K12580-6	4	Screw, Flat Hd.
69	K12713	2	Reliever, Strain
70	K12716-6	4	Screw, Pan Hd.
71	K13087	1	Clip
72	K13106	2	Latch
73	K14880-5	12	Washer, Flat
74	K14881-5	12	Washer, Lock
75	K14993	1	Pulley
76	K5114-6	1	Screw, Pan Hd.
77	K15741	12	Nut, Hex.
78	K6032-8	1	Screw, Pan Hd.
79	K15770-10	2	Washer, Flat
80	K8880	1	Nut, Hex
81	K15857	6	Nut, Hex
82	K15859	4	Nut, Weld-On
83	K15984	2	Bushing
84	K15986	2	Screw, Lock
85	K15987	2	Wheel
86	K15989	1	Motor 3/4 H.P.
87	K15991	1	Pulley
88	K15992	1	Pulley
89	K15994	1	Belt
90	K16001	1	1/4" Roll Pin
91	K16493	2	Pin
92	K16494	2	Chain
93	E15999	1	Assy - Base (includes 1 through 92, 118, 119, 120, 121, 122)
94	D16004	1	Assy - Cover (includes 15, 95 through 105)
95	C15906	1	Plate, Indicator
96	E15922	1	Cover
97	B15926	2	Retainer, Side
98	B15932	2	Angle
99	B15937	2	Bumper
100	B16475	1	Decal
101	K10652	4	Nut, Hex
102	K2871-6	8	Washer, Flat
103	K4770-10	4	Screw, Pan Head
104	K6001-36	8	Rivet
105	K6306-3	4	Washer, Flat
106	C16498	1	Assy - Bag Adapter (includes 15, 17, 107 through 112)
107	D15933	1	Adapter, Bag
108	D15936	1	Deflector
109	C16340	1	Plate
110	K4770-8	4	Screw, Pan Hd.
111	K4770-10	2	Screw, Pan Hd.
112	K6306-3	6	Washer, Flat
113	E15935	1	Bag
114	K2964-04	8	Lockwasher
115	K12465	2	Latch
116	K12563	8	Nut, Hex
117	K12580-9	8	Screw, Flat Head
118	K16852	2	Tab
119	B22083-100	1	Cord, Power (includes 125, 126)
120	A12493	1	Clamp, Cord
121	A12712	1	Tubing, Vinyl
122	A18264	2	Spacer, Wheel
123	K22085	1	Plug, Male
124	A18803	1	Switch
125	K5060	1	Plug, Male
126	K18505	1	Plug, Female
127	K2964-8	1	Lockwasher
128	K8880	1	Nut Hex

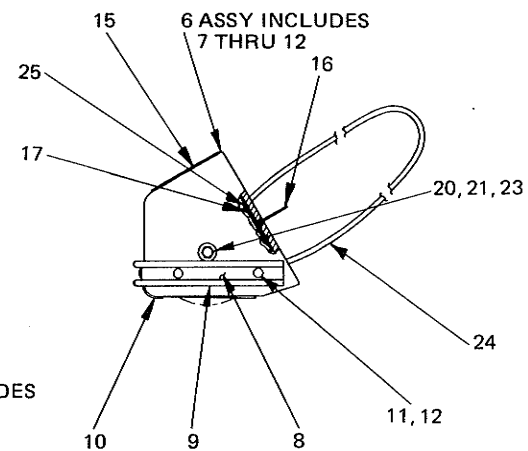
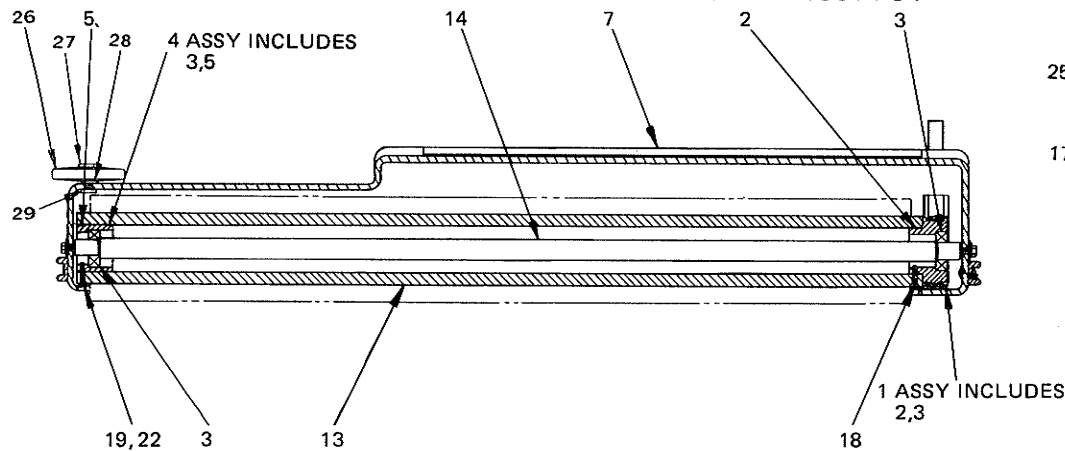
PRICES ON REQUEST



### ASSEMBLY D16014-28



### ASSEMBLY D16014-34



#### PARTS BREAKDOWN ASSEMBLY D16014-28

NO.	ORDER BY	QTY.	DESCRIPTION
1	A16007	1	Assy - Pulley & Bearing (includes 2,3)
2	B16006	1	Pulley
3	K16008	2	Bearing
4	A16010	1	Assy - Housing & Bearing (includes 3,5)
5	B16009	1	Housing
6	D16574-28	1	Assy - Head & Bumper (includes 7 through 12)
7	D15924-28	1	Head
8	C15927	1	Retainer, Head
9	C15948	1	Bumper
10	B16407-28	1	Plate, Bottom
11	K2871-6	10	Washer, Flat
12	K6001-36	10	Rivet
13	D15898-28	1	Brush
14	B15967-28	1	Shaft, Brush
15	C16476	1	Decal
16	B16573	2	Bracket, Head
17	K2539-7	8	Screw, Flat Hd.
18	K2539-14	3	Screw, Flat Hd.
19	K2964-10	3	Washer, Lock
20	K2964-14	2	Washer, Lock
21	K2998-8	2	Screw, Hex. Hd.
22	K4770-14	3	Screw, Pan Hd.
23	K6306-4	2	Washer, Flat
24	K15993	1	Belt, Poly-V
25	K16015	4	Nut, Speed
26	K3154	1	Wheel, Bumper
27	A4983	1	Screw, Shoulder
28	K2871-516	1	Washer, Flat
29	K17809	1	Nut

#### PARTS BREAKDOWN ASSEMBLY D16014-34

NO.	ORDER BY	QTY.	DESCRIPTION
1	A16007	1	Assy - Pulley & Bearing (includes 2,3)
2	B16006	1	Pulley
3	K16008	2	Bearing
4	A16010	1	Assy - Housing & Bearing (includes 3,5)
5	B16009	1	Housing
6	D16574-34	1	Assy - Head & Bumper (includes 7 through 12)
7	D15924-34	1	Head
8	D15928	1	Retainer, Head
9	C15938	1	Bumper
10	B16407-34	1	Plate, Bottom
11	K2871-6	10	Washer, Flat
12	K6001-36	10	Rivet
13	D15898-34	1	Brush
14	B15967-34	1	Shaft, Brush
15	C16477	1	Decal
16	B16573	2	Bracket, Head
17	K2539-7	8	Screw, Flat Hd.
18	K2539-14	3	Screw, Flat Hd.
19	K2964-10	3	Washer, Lock
20	K2964-14	2	Washer, Lock
21	K2998-8	2	Screw, Hex. Hd.
22	K4770-14	3	Screw, Pan Hd.
23	K6306-4	2	Washer, Flat
24	K15993	1	Belt, Poly-V
25	K16015	4	Nut, Speed
26	K3154	1	Wheel, Bumper
27	A4983	1	Screw, Shoulder
28	K2871-516	1	Washer, Flat
29	K17809	1	Nut