



**CARPET-VAC
AMERICAN MODEL CV-14
EUROPEAN MODEL ECV-14**

FORM 118-4751M
PARTS BREAKDOWN
EFFECTIVE DECEMBER 8, 1975
REVISED SEPTEMBER 24, 1976
(See Form No. 200 For Prices)
E.E.O. EMPLOYER M/F

(NOTE: FOR CARPET-VAC'S WITH SERIAL #1370 AND UP)

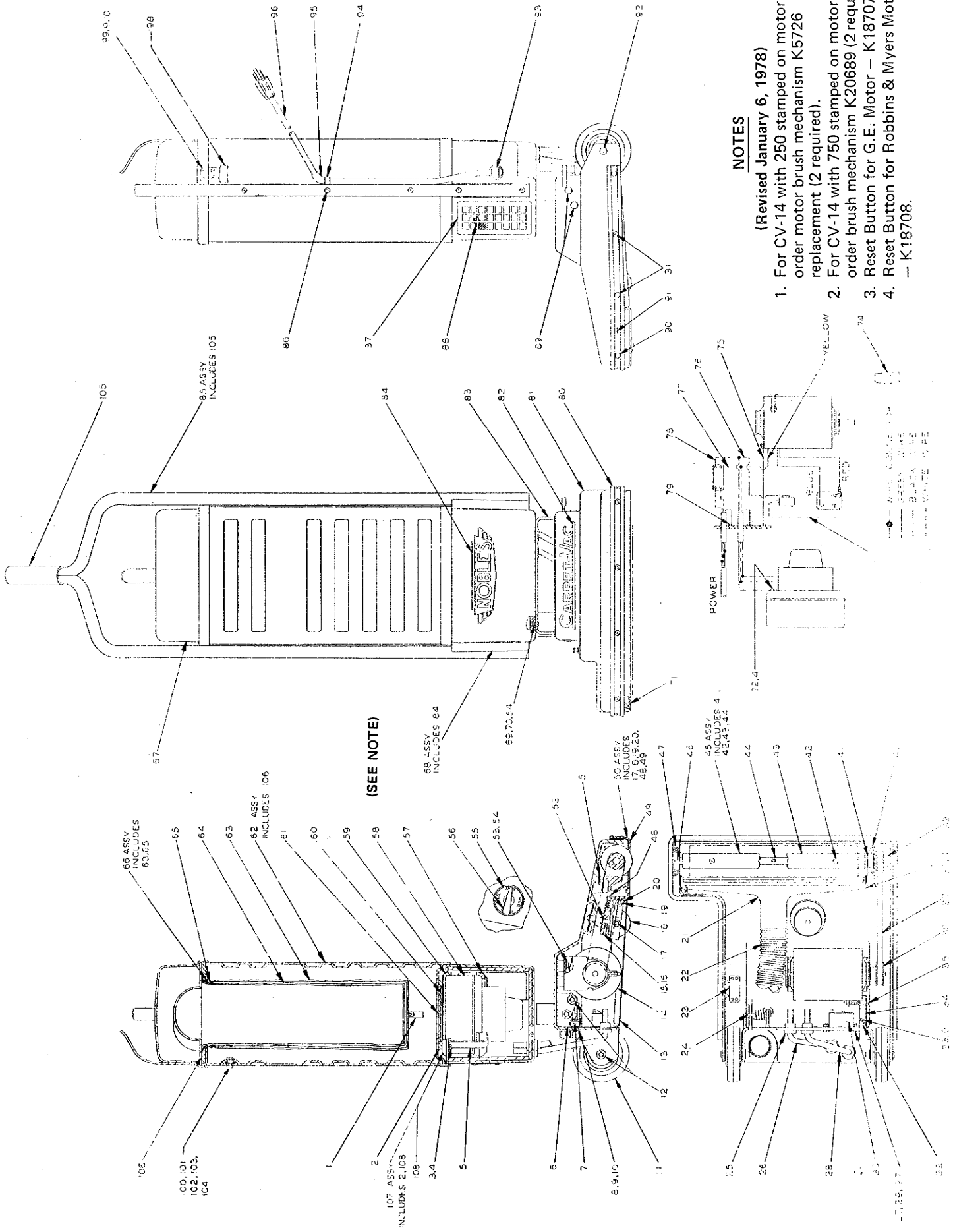
645 E. 7th ST., ST. PAUL, MINN. 55106
TELEPHONE (612) 771-5581 TELEX NO. 29-7403

No.	To Order Use Part No.	Qty	Description
1	B12514	2	Case Holder Strip
2	A12492	1	Case Gasket
3	K2789-6	4	Fill. Hd. Machine Screw
4	K2964-10	7	Shakeproof Lockwashers
5	A3981	4	Brackets
6	A12699	1	Switch Insulator
7	K12463	1	Brush Switch
8	K3067-14	2	Pan Hd. Machine Screw
9	K2964-04	12	Shakeproof Lockwashers
10	K12563	10	Hex Nuts
11	K4109	2	Wheels
12	K12482	5	Push on Nuts
13	C12522	1	Pan
14	K12468	1	Brush Motor - American Model
15	K12946	1	Brush Motor - European Model
16	A12455	1	Cam
17	K12565-8	1	Cam Set Screw
18	K12798-19	4	Pin
19	K12450	4	Wheel
20	K12481	4	Push on Nuts
21	C12499	1	Wheel Adjustment Bracket
22	C12517	1	Vacuum Tool
23	B12469	1	Vacuum Hose
24	K12462	1	Vacuum Motor Switch
25	A12478	1	Yoke Spring
26	K6388	4	Heyco Strain Reliever
27	A12714	1	Power Lead
28	K12716-8	2	Pan Hd. Machine Screw
29	A12715	2	Motor Lead
30	K3069	2	Hex Nut
31	K12576	1	Relay - American Model
32	K1330	1	Relay - European Model
33	K4770-8	4	Pan Hd. Machine Screw
34	A12472	1	Switch Lever
35	K3067-4	2	Pan Hd. Machine Screw
36	A12500	1	Foot Lever
37	A12476	1	Foot Lever Spring
38	A12690	1	Motor Pulley
39	K12570	1	Timing Belt
40	K723-10	2	Rd. Hd. Machine Screw
41	A12691	1	Brush Pulley
42	B12446	1	Inside Bearing Block
43	K12461	2	Bearings
44	K4770-8	6	Pan Hd. Machine Screw
45	C12427	1	Brush
46	B12448	1	Brush Shaft
47	C12567	1	Assy. Brush (Includes 41, 42, 43, 44)
48	K12583	2	Bearing Plugs
49	B12447	1	Outside Bearing Block
50	A12479	1	Wheel Adjustment Spring
51	D12442	1	Shoe
52	D12521	1	Assy. Shoe & Wheels (Includes 17, 18, 19, 20, 48, 49)
53	A12677	1	Gasket Material
54	K12467	2	"O" Ring
55	K2998-4	4	Hex Hd. Cap Screw

PRICE ON REQUEST

No.	To Order Use Part No.	Qty	Description
56	K2964-14	8	Shakeproof Lockwashers
57	A12453	1	Indicator Decal
58	A12519	1	Indicator and Pin
59	B3980	1	Motor Support
60	K5714	1	Motor
61	K12947	1	Motor - European Model
62	VM-10	2	Motor Seats
63	B12484	1	Filter Support
64	A12486	1	Secondary Filter
65	D12511	1	Assy Vacuum Case (Includes 106)
66	C12414	1	Cloth Filter Bag
67	C12413	6	Paper Filter Bags (6 Per Package)
68	C12489	1	Cloth Filter Bag Retainer
69	C12671	1	Assy. Cloth Bag (Includes 63, 65)
70	D12528	1	Dome
71	D12524	1	Assy Motor Housing (Includes 84)
72	K12908-10	4	Oval Hd. Machine Screw
73	K12909	4	Hex Nuts
74	K12512-32	4	Flat Hd. Machine Screws
75	K5114-6	1	Pan Hd. Thd. Cutting Screw
76	A12574	1	Relay Switch Wire (White)
77	K3088	7	Wire Connectors
78	A5064	1	Ground Wire (Green)
79	A12573	1	Brush Switch Wire (Block)
80	A12572	1	Switch Wire (White)
81	A12571	1	Switch Wire (Black)
82	K2820-4	3	Rd. Hd. Machine Screws
83	C12566	1	Bumper
84	E12438	1	Base Casting
85	B12428	1	Decal
86	C12475	1	Yoke
87	B6742	1	Nobles Decal
88	D12488	1	Assy Handle (Includes 105)
89	K5090-20	10	Oval Hd. Machine Screw
90	B12523	2	Filter Frames
91	A12487	2	Final Filters
92	K12452-16	3	Pins
93	K4770-6	10	Pan Hd. Machine Screw
94	D12540	1	Bumper Retainer
95	K12452-15	2	Pins
96	K12713	1	Heyco
97	A12493	1	Cord Clamp
98	A12712	1	Vinyl Tubing Cord Protector
99	B12703	1	50 Ft. Power Cord
100	K2964-06	2	Shakeproof Lockwasher
101	K12465	2	Case and Cover Latch
102	K12580-8	2	Flat Hd. Socket Cap Screws
103	K5154	2	Cap Nut
104	A12627	1	Vacuum Slide
105	A12628	1	Spacers
106	K6306-4	2	Washers
107	K2998-5	2	Hex Hd. Cap Screw
108	K18244	1	Handle Grip
109	C12477	1	Cover Gasket
110	C12516	1	Assy Motor Mount (Includes 2, 108)
111	C12595	1	Motor Mount

PRICE ON REQUEST



NOTES

(Revised January 6, 1978)

1. For CV-14 with 250 stamped on motor, order motor brush mechanism K5726 replacement (2 required).
2. For CV-14 with 750 stamped on motor, order brush mechanism K20689 (2 required).
3. Reset Button for G.E. Motor — K18707.
4. Reset Button for Robbins & Myers Motor — K18708.