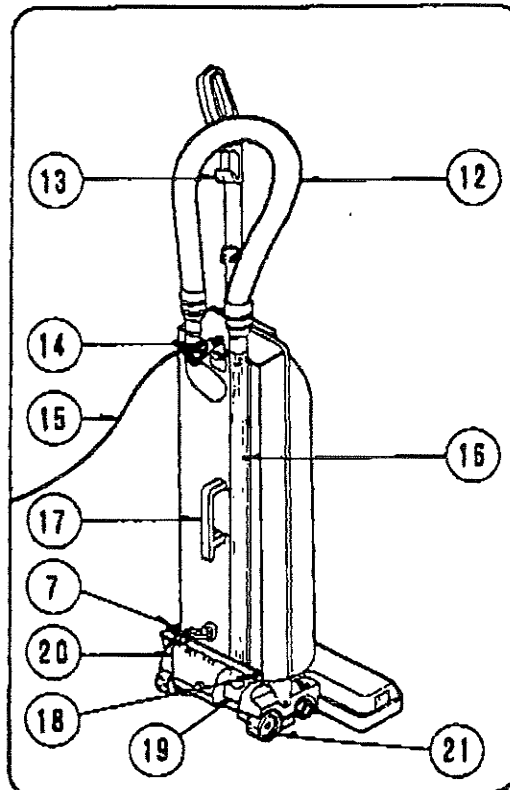
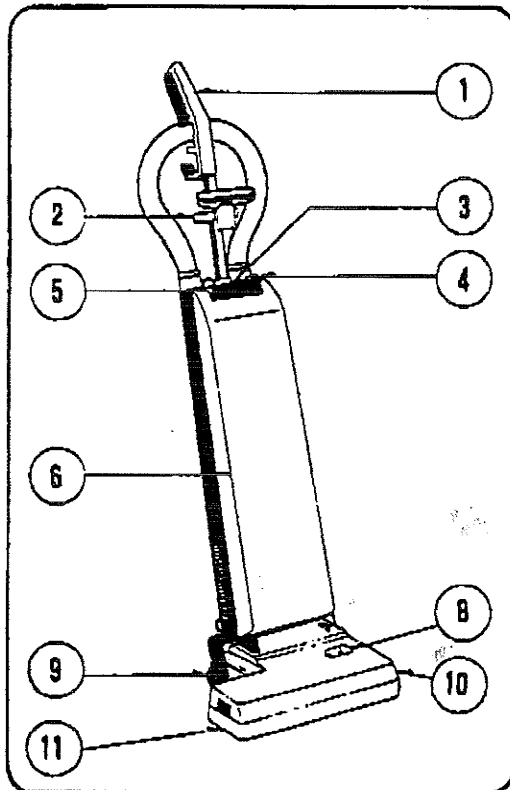




CV-141 Electronic Upright Vacuum

OPERATING INSTRUCTIONS

PARTS LIST



CV 141 FEATURES

1. Handle
2. Accessory Mount
3. Full Bag Light
4. Main Power Switch
5. Door Latch
6. Bag Housing
7. Handle Release Lever
8. Electronic Display
9. Handle Pivot
10. Power Brush Housing
11. Bumper
12. Hose
13. Upper Cord Hook
14. Secondary Cord Strain Relief
15. Power Cord
16. Wand
17. Carrying Handle with Lower Cord Hook
18. Thumb Nut
19. Base Inlet Connector
20. Cord Pigtail
21. Rear Wheel

CAUTIONS, WARNINGS, AND SAFEGUARDS:

1. Never pick up wet dirt, live ashes, or cigarette butts.
2. Keep machine away from high heat sources such as radiators, ovens, open flames, etc.
3. Before using, remove large or sharp objects from the floor to prevent damage to the machine.
4. For best performance and cleaning efficiency, change filter bags as soon as full bag indicator lights or drop in cleaning performance is noted.

5. Always turn off power switch and unplug machine prior to performing any maintenance or service.

6. Keep hands, feet, hair, and clothing away from revolving brush.

7. Never operate the machine without a filter bag in place, as motor damage could occur.

8. To avoid electrical shock, do not store outdoors — do not expose to rain.

9. Do not use machine in areas where flammable liquids or vapors may be present.

Assembly

ASSEMBLY AND OPERATING INSTRUCTIONS:

1. Receipt of machine:

Carefully check carton for signs of damage and if damaged, file claim with carrier immediately. Concealed damage claims must be filed within 90 days of receipt. Retain all packing materials and delivery receipts to support claims.

2. Assembly of Machine:

2.1. Carefully unpack machine, checking carefully to ensure that you have located all necessary components.

2.2. Attach the power brush assembly to the vacuum tank assembly by first removing the two (2) thumb nuts from the rear of the vac tank. Slide the tank on to the metal bracket, making sure that the hooks on the bottom of the tank engage the bracket. Install and tighten the thumb nuts. Plug the brush motor powercord into the receptical on the vac housing. See Fig. 2.2

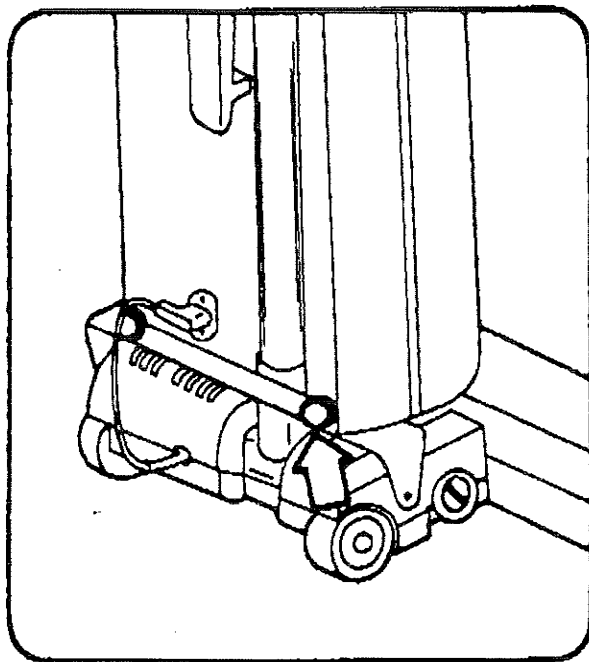


Fig. 2.2

2.3. Install the handle by first removing the screw from the base of the handle. Slide the handle into the opening in the top of the vac housing until it bottoms out. Install the secondary cord strain relief on the shoulder and install and tighten the screw. See Fig. 2.3

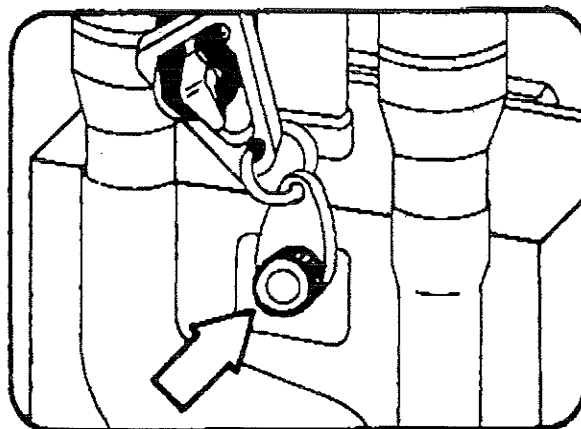


Fig. 2.3

2.4. Install the hose by pushing one end into the opening in the top of the vac housing. Push the other end into the chrome wand. Slide the open end of the wand into the opening in the power brush unit, and snap the wand into the depression in the back of the vac housing. If the operator prefers the hose may be slid into the notch in the back of the handle. See fig. 2:4

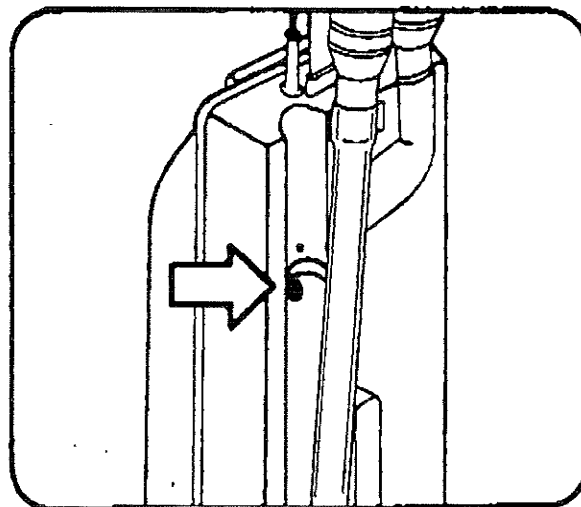


Fig. 2.4

Operating Instructions

2.5. Make sure a filter bag is installed in the machine. Open the vac housing door by pushing down on the latch and swinging the door down. To install the bag, push the bag onto the inlet as far as it will go. Fold the top of the bag down so it won't interfere with the door latch.

Make sure that the security stop is behind the bag and will not interfere with the door. Close the door, ensuring that it latches properly. See Fig. 2.5

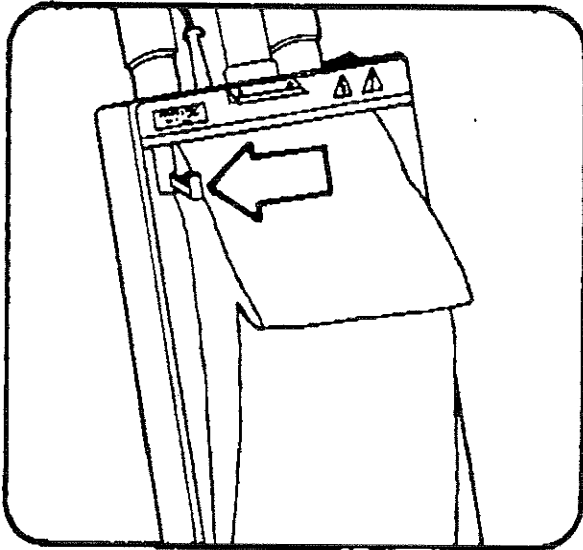


Fig. 2.5

2.6. Snap the upholstery tool and crevice tool into the holder provided on the handle.

2.7. Wrap the powercord based on your following preference:

- A. Coil cord and hang on upper hook, or
- B. Wrap cord around upper and lower hook which is part of the carrying handle.

OPERATION AS AN UPRIGHT CARPET VACUUM:

1. Plug the powercord into a 115 volt, 60 cycle receptacle.

2. Adjust the brush height knob to suit the carpet thickness you are working on. See Fig. 2A

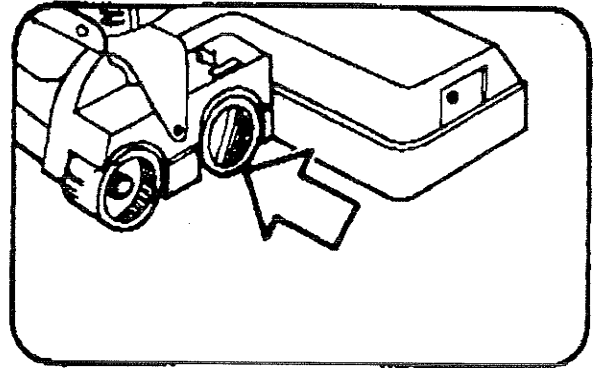


Fig. 2A

3. Turn the main power rocker switch to «ON». The vacuum motor will start. See Fig. 3 A

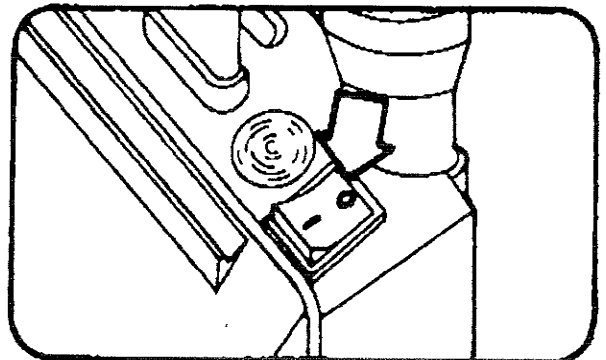


Fig. 3A

4. Depress the RED foot pedal and lower the handle to the operating position. When the handle is lowered, the brush motor will start. Use normal vacuuming procedure. See Fig. 4A

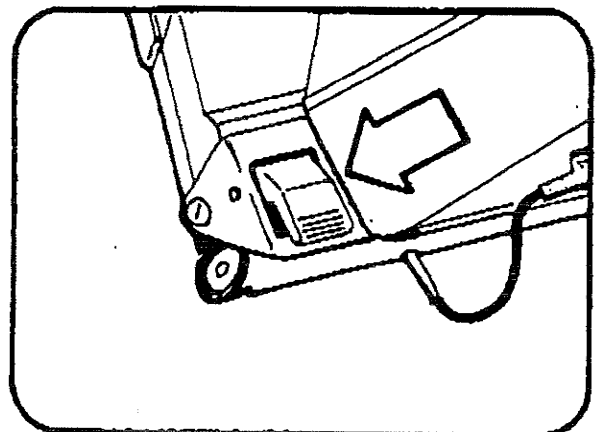


Fig. 4A

Operating Instructions

Routine Maintenance

OPERATION OF THE REMOTE VACUUM WAND:

1. Remove the wand by snapping out of the retainer clip and pulling from the inlet in the base. The brush motor will automatically stop when the wand is removed. Attach the tool of your choice and clean. When replacing the wand, make sure that it fits tightly into the base inlet for proper performance. See Fig. 1B

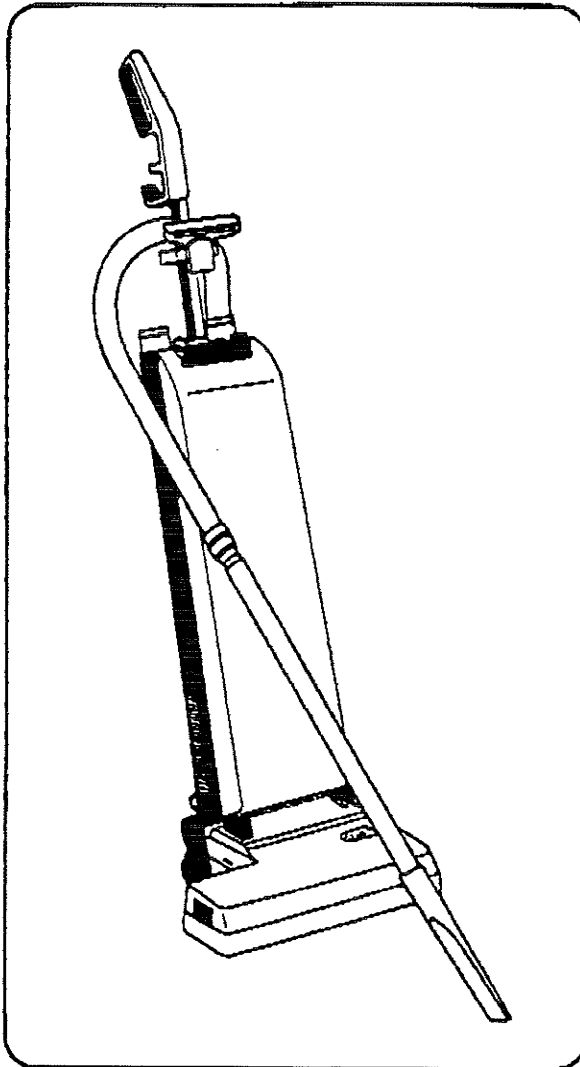


Fig. 1B

ROUTINE CARE AND MAINTENANCE:

CAUTION: ALWAYS TURN OFF THE MAIN SWITCH AND UNPLUG THE POWERCORD BEFORE PERFORMING ANY MAINTENANCE.

1. FULL BAG INDICATOR:

Your machine has an indicator light which will flash RED if the bag is full or the airflow is obstructed. If the indicator lights, open the door and check the bag.

If it is full, replace it. If the bag is not full and the light is on, there is an obstruction in the system. Check the hose and wand first by holding up to the light. If they are clear, check the inlet in the power brush base by removing the wand from the inlet and viewing the air path from the inlet to the brush. If this area is clear, remove the bag and check the deflector port in the top of the vac housing.

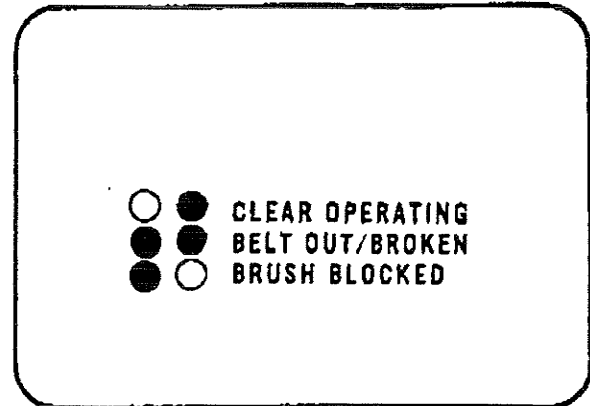


Fig. 3B

2. THERMAL OVERLOAD ON VACUUM MOTOR:

This machine is equipped with a sensor that shuts off the vacuum motor if the internal temperature is too high. This is normally created by an obstruction in the system cutting off the air flow. If the motor stops during use:

- A. Turn off main switch
- B. Unplug machine from receptacle.
- C. Inspect and remove obstruction

The motor will automatically restart with the switch on when the motor cools sufficiently.

3. ELECTRONIC POWER BRUSH ALERT:

This machine has an electronic control that alerts the operator for problems in the brush unit.

- A. GREEN LIGHT — Lower unit operating properly.
- B. RED LIGHT — Brush roller obstructed.
- C. BOTH RED AND GREEN LIGHT — Drive belt broken

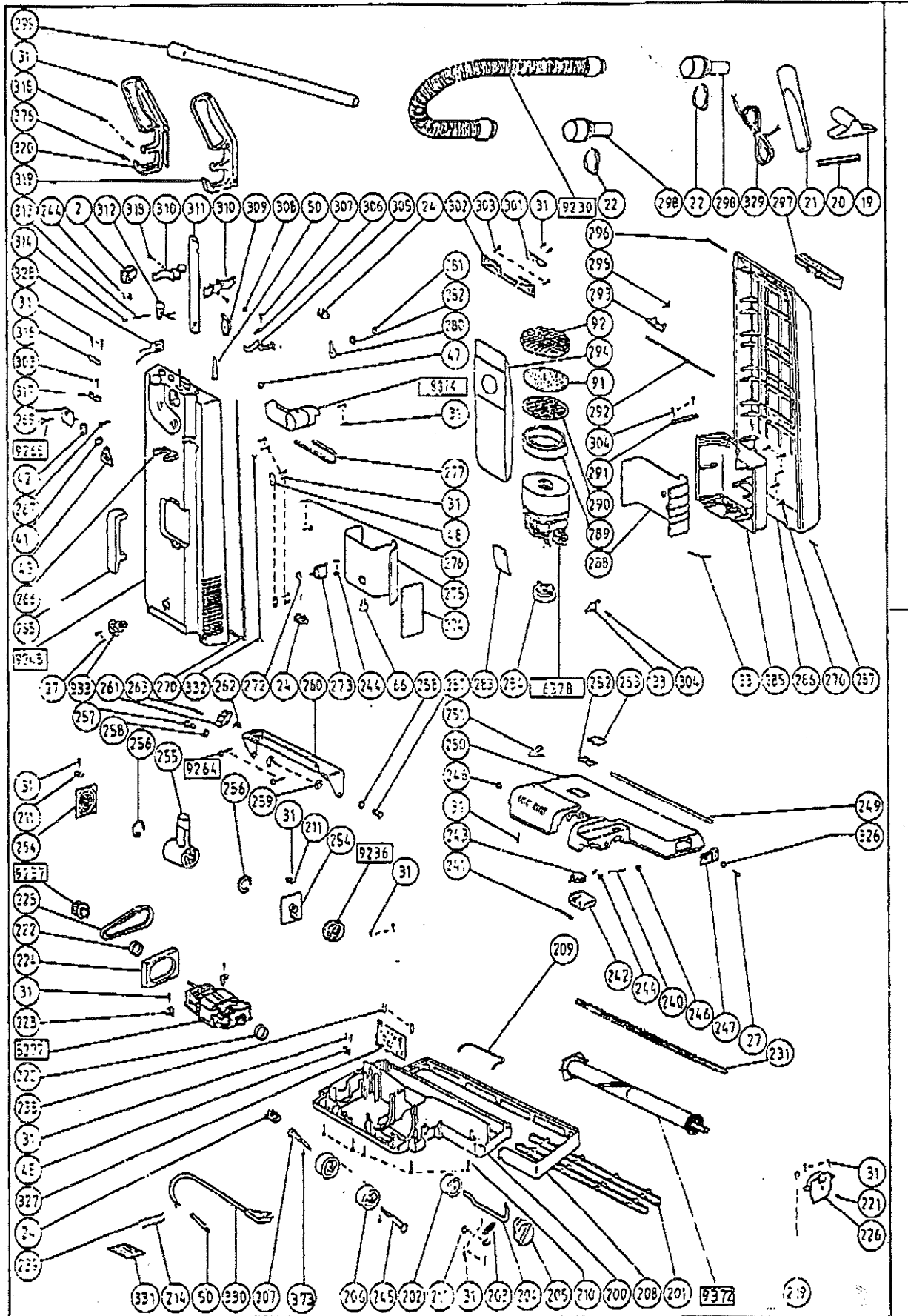
The operator must constantly monitor these alert lights for proper performance and correct problems immediately. See Fig. 3B

CAUTION: Belt replacement or other repairs to the lower units should only be performed by authorized maintenance personnel.

4. BEFORE EACH USE:

Check to ensure that a filter bag is in place and that it is not full. Replace if necessary. Check the brush area to remove any thread, string, or debris that may be wrapped around the brush.

Parts List



Parts List

CV - 141 PARTS LIST

Quantity	Description	Item Number	Part Number	Quantity	Description	Item Number	Part Number
1	ON/OFF SWITCH	2	577-002-000	1	COVER	269	577-269-000
1	UPHOLSTERY TOOL	19	577-019-000	1	GASKET	270	577-270-000
1	BRISTLES, UPHOLSTERY TOOL	20	577-020-000	1	SWITCH ACTUATOR	272	577-272-000
1	CREVICE TOOL	21	577-021-000	1	MICRO SWITCH, OPEN	273	577-273-000
1	CLIP	22	577-022-000	1	FILTER	274	577-274-000
6	TERMINAL	24	577-024-000	1	VAC MOTOR FOAM	275	577-275-000
3	SCREW, M 3.5x9	27	577-027-000	8	SCREW	276	577-276-000
26	SCREW, M 4.2x13	31	577-031-000	1	GASKET	277	577-277-000
1	SLEEVE	33	577-033-000	1	TERMINAL	280	577-280-000
		41		1	NUT, M3	281	577-281-000
1	Cable Holder Assy.	42	577.044.000	1	SPRING WASHER, M3	282	577-282-000
		43		1	INSULATING PLATE	283	577-283-000
		47		1	MOTOR GASKET, LOWER	284	577-284-000
1	LOCKNUT, M5	47	577-047-000	1	VAC MOTOR HOUSING	285	577-285-000
3	CLAMP	48	577-048-000	1	DOOR, VAC HOUSING	286	577-286-000
2	STRAIN RELIEF	50	577-050-000	1	FRONT COVER SHAFT	287	577-287-000
1	RFI Suppressor	66	577-066-000	2	VAC MOTOR FOAM	288	577-288-000
1	FILTER	91	577-091-000	1	MOTOR GASKET, UPPER	289	577-289-000
1	FILTER HOLDER	92	577-092-000	1	MOTOR FILTER GRILL	290	577-290-000
1	THERMAL CUT OUT	133	577-133-000	1	CLAMP	291	577-291-000
1	BRUSH HOUSING, LOWER	200	577-200-000	1	GASKET	292	577-292-000
1	BRUSH PROTECTOR	201	577-201-000	1	COVER LOCK	293	577-293-000
1	FRONT CASTER	202	577-202-000	1	PAPER BAG, PACK OF 10	294	577-294-000
1	SPRING	203	577-203-000	1	SPRING	295	577-295-000
1	WIRE, SHAFT, CASTER	204	577-204-000	1	SHAFT, LATCH	296	577-296-000
1	KNOB	205	577-205-000	1	COVER LATCH	297	577-297-000
2	REAR WHEEL	206	577-206-000	2	HOSE COUPLING	298	577-298-000
1	LEFT WHEEL SHAFT	207	577-207-000	1	WAND	299	577-299-000
1	BUMPER	208	577-208-000	1	LATCH, STATIONARY	301	577-301-000
1	SHAFT	209	577-209-000	1	COVER, ELECTRICAL	302	577-302-000
5	SCREW, M5 x 37	210	577-210-000	3	SCREW	303	577-303-000
4	SCREW	211	577-211-000	3	SCREW	304	577-304-000
1	WIRE	214	577-214-000	1	SAFETY LATCH	305	577-305-000
2	WASHER	219	577-219-000	1	SPRING	306	577-306-000
1	BEARING	221	577-221-000	1	SCREW, M5 x 26	307	577-307-000
2	RUBBER RING	222	577-222-000	1	NUT, M5	308	577-308-000
2	BRUSH MOTOR CLAMP	223	577-223-000	1	PLATE	309	577-309-000
1	BRUSH MOTOR FOAM	224	577-224-000	2	TOOL HOLDER	310	577-310-000
1	BELT	225	577-225-000	1	HANDLE	311	577-311-000
1	R.H. ROLLER SUPPORT	226	577-226-000	1	FULL BAG LIGHT	312	577-312-000
1	BRUSH STRIP	231	577-231-000	1	SLEEVE	313	577-313-000
2	PIN	238	577-238-000	1	TERMINAL	314	577-314-000
1	WIRE	239	577-239-000	1	UPPER STRAIN RELIEF	316	577-316-000
1	WIRE	240	577-240-000	1	LOWER STRAIN RELIEF	317	577-317-000
1	FELT	241	577-241-000	4	SCREW	318	577-318-000
1	SWITCH BOX	242	577-242-000	1	RIGHT HANDLE	319	577-319-000
1	MICRO SWITCH, CLOSED	243	577-243-000	1	LEFT HANDLE	320	577-320-000
6	TERMINAL	244	577-244-000	1	LOCKWASHER	326	577-326-000
1	R.H. WHEEL SHAFT	245	577-245-000	1	ELECTRONIC BRUSH CONTROL	327	577-327-000
2	PLASTIC RING	246	577-246-000	1	ELECTROSTATIC PLATE	328	577-328-000
1	ACCESS COVER, BRUSH	247	577-247-000	1	CORD SET	329	577-329-000
1	SEAL	249	577-249-000	1	CORD WITH PLUG	330	577-330-000
1	BRUSH HOUSING, UPPER	250	577-250-000	1	DATA PLATE	331	577-331-000
1	LATCH	251	577-251-000	1	CABLE	332	577-332-000
1	DECAL	252	577-252-000	1	3 POLE RECEPTACLE	333	577-333-000
1	LED COVER	253	577-253-000	2	SCREW, M3 x 8	373	577-373-000
2	GUIDE PLATE	254	577-254-000	1	BRUSH MOTOR, 110v	5277	577-527-700
1	INTAKE SWIVEL	255	577-255-000	1	VAC MOTOR, 110v	6378	577-637-800
2	GASKET	256	577-256-000	1	HOSE ASSEMBLY	9230	577-923-000
2	SCREW	257	577-257-000	1	BRUSH PULLEY	9236	577-923-600
2	WASHER	258	577-258-000	1	MOTOR PULLEY	9237	577-923-700
2	SNAP RING	259	577-259-000	1	VAC HOUSING, REAR	9248	577-924-800
1	SWIVEL BRACKET	260	577-260-000	2	SCREW	9264	577-926-400
1	HANDLE RELEASE	261	577-261-000	1	SCREW, M5 x 40	9268	577-926-800
1	SPRING	262	577-262-000	1	ROLLER ASSEMBLY	9372	577-937-200
1	PIN	263	577-263-000	1	BAG MOUNT FITTING	9374	577-937-400
1	HANDLE	265	577-265-000				
1	WAND LOCK	266	577-266-000				
1	SCREW M3 x 7	267	577-267-000				

Troubleshooting Guide

TROUBLESHOOTING GUIDE

CAUTION: DISCONNECT POWER BEFORE SERVICING

DEFECT	PROBABLE CAUSE	REMEDY
MOTOR DOES NOT RUN (VACUUM)	<ul style="list-style-type: none"> • Powercord not plugged in • Electrical open in powercord • Thermal overload tripped due to obstruction or full bag. • Main switch failure • Carbon motor brushes worn • Motor failure 	<p>Connect to receptacle Repair or replace</p> <p>Remove obstruction or change bag. Replace Replace Replace</p>
MOTOR DOES NOT RUN (BRUSH)	<ul style="list-style-type: none"> • Lower cable not plugged into receptacle in vac housing • Handle not lowered to operating position. • Wand not seated in holder properly to close switch contacts • Brush obstructed — RED light on • Belt broken — Both RED & GREEN light on. • Carbon motor brushes worn • Motor failure 	<p>Plug into receptacle</p> <p>Wand must be snapped into holder properly in order for motor to run. Remove obstruction Replace belt</p> <p>Replace Replace Replace</p>
LOW SUCTION POWER	<ul style="list-style-type: none"> • Filter bag full • Vacuum inlet filter plugged • Hose plugged with debris • Hose/wand not connected properly 	<p>Clean/Replace Clean Check installation</p>
POOR PICKUP ON CARPET	<ul style="list-style-type: none"> • Low suction power • Brush area obstructed • Brush strip worn • Brush not adjusted properly for carpet pile height 	<p>Check remedies above Clean Replace Check/change adjustment</p>



Division of TENNANT

Tennant Trend
2111 LIBERTY DRIVE
P.O. BOX 289
NIAGARA FALLS, N.Y. 14304-0289
(716) 283-7072
FAX (716) 283-3540

Part #577-800-000
REV. 01 11/80