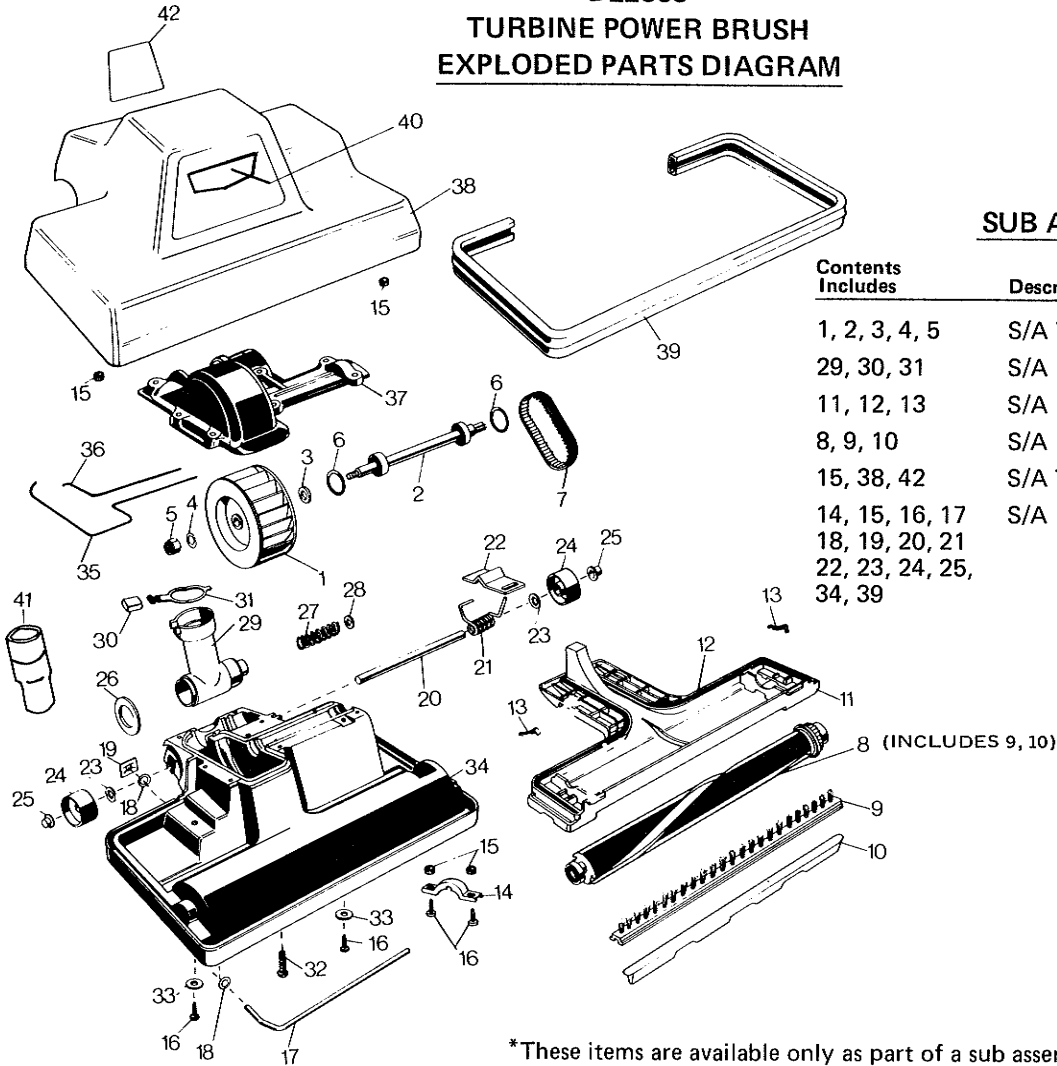


645 E. 7th ST., ST. PAUL, MN 55106
(612) 771-5581
TELEX NO. 29-7403

D22363 TURBINE POWER BRUSH EXPLODED PARTS DIAGRAM



SUB ASSEMBLIES

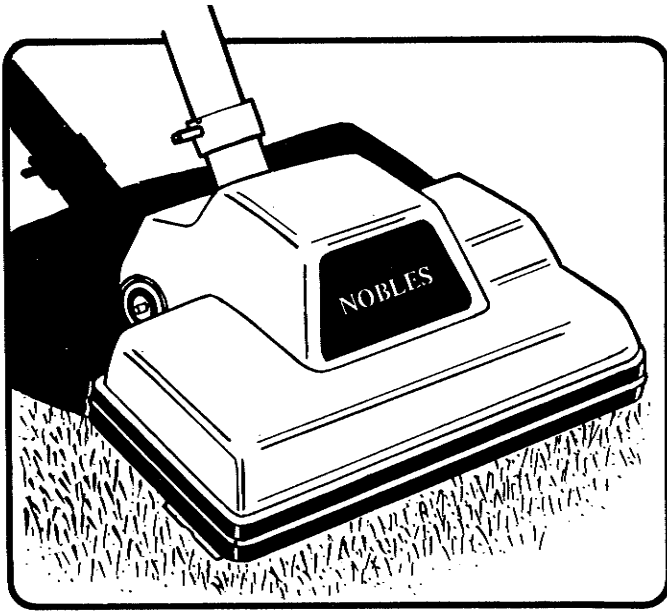
Contents Includes	Description	Part No.
1, 2, 3, 4, 5	S/A Turbine	K22429
29, 30, 31	S/A Elbow	K22430
11, 12, 13	S/A Baseplate	K22431
8, 9, 10	S/A Beater Bar/Brush	K22396
15, 38, 42	S/A Top Cover	K22432
14, 15, 16, 17 18, 19, 20, 21 22, 23, 24, 25, 34, 39	S/A Base Housing	K22433

*These items are available only as part of a sub assembly (see above).

PARTS BREAKDOWN

Diagram No.	Part No.	Qty.	Description	Diagram No.	Part No.	Qty.	Description
1	K22389		Turbine Halves	22	K22410		Elbow Latch
2	*K22390	2	Shaft, Drive Pulley, Bearings	23	K22411	2	Washer, Axle
3	K22391		Washer	24	K22412	2	Wheels
4	K22392		Washer	25	K22413	2	Push Cap
5	K22393		Locknut	26	K22414		Washer, Elbow Seal
6	K22394	2	"O" Ring	27	K22415		Spring, Elbow
7	K22395		Belt, Drive	28	K22416		Washer, Elbow Spring
8	*K22396		S/A Beater Bar/Brush	29	*K22417		Elbow
9	K22397		Brush Strip	30	K22418		Retainer, Grip
10	K22398		Beater Bar	31	K22419		Spring, Grip
11	*K22399		Base Plate	32	K22420	9	Screw
12	K22400		Gasket	33	K22421	2	Washer, Top Cover
13	K22401	2	Brush Retainer	34	*K22422		Base Housing & Insert
14	K22402		Bearing Nest	35	K22423		Gasket
15	K22403	4	Onsert	36	K22424		Gasket
16	K22404	4	Screw	37	K22425		Turbine Cover
17	K22405		Latch, Base Plate	38	*K22426		Top Cover
18	K22406	2	Washer	39	K22427		Bumper
19	K22407		Retainer Ring	40	A20816		Decal, Logo
20	K22408		Axle	41	A22364		Adapter
21	K22409		Spring, Elbow Latch	42	*K22428		Caution Label

NOBLES TURBINE POWER BRUSH



Your Turbine Power Brush has been carefully designed and manufactured for long life, reliable performance and convenient cleaning. It is designed to do most of the cleaning work for you — it moves easily and does not require downward pressure for thorough cleaning.

As with any tool with moving parts, caution must be exercised while using the Turbine Power Brush. Please read and save this instruction sheet.

SAFETY PRECAUTIONS

1. Keep hands and feet away from rotating bar/brush while Turbine Power Brush is running.
2. Remember that the Power Brush will operate whenever it is connected to a running vacuum. *If children are present, make sure to turn vacuum system off when leaving Power Brush unattended.*
3. Do not attempt to service or unplug tool while the unit is running.
4. Avoid picking up water or spilled liquids with the Turbine Power Brush. The vacuum system is designed for dry pick-up only.

ATTACHING THE TURBINE POWER BRUSH

To attach your adapter, simply twist into Power Brush elbow until it fits snugly. The built-in, locking mechanism will prevent the adapter from coming loose from your Power Brush while in use. To detach adapter, depress tab on side of elbow and twist adapter free. (See Fig. 1)

The adapter can be locked in an upright position by pushing it forward until the lock is engaged. (See Fig. 2) This locked position is convenient for storage and for lifting of the Power Brush. To release wand from the vertical locked position, gently place foot on Power Brush, grasp wand and pull back firmly.

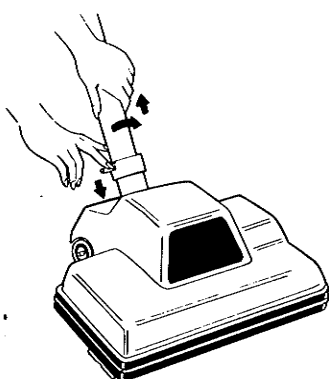


FIG. 1

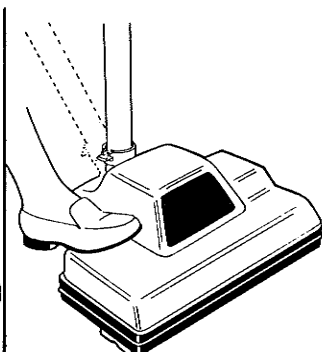


FIG. 2

OPERATING PROCEDURES

Your Turbine Power Brush has no on/off switch. Whenever it is attached to an operating vacuum system, it will be running. No adjustments to the tool are necessary for different types of carpeting.

To insure maximum efficiency of the Turbine Power Brush, make sure that any filters, bags and cleaning hoses in your vacuum system are clean and free of blockage.

CLEARING INTAKE NOZZLE

If turbine or intake nozzle should become obstructed:

1. Turn off vacuum system and disconnect Power Brush.
2. Remove metal base plate by first pushing down and releasing base plate latch (See Fig. 3) and then pulling the rear of the plate away from the housing (See Fig. 4).
3. Remove debris from intake port and/or turbine.
4. Reassemble by inserting the tabs on the front of the base plate into the slots in the base housing, then pushing the contoured section down into the housing. (See Fig. 4)
5. Engage the base plate latch.

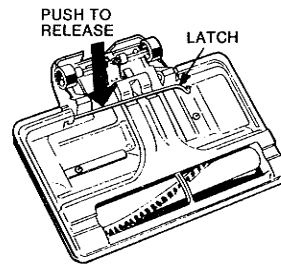


FIG. 3

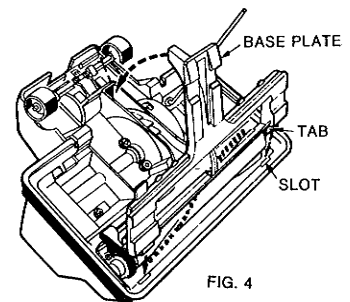


FIG. 4

CLEANING BEATER BAR/BRUSH

Turn off vacuum system and disconnect Power Brush.

Threads, string, carpet fiber, fuzz, etc. occasionally may become wound around the beater bar/brush. These should be removed by unwinding them by hand or carefully cutting with scissors or other cutting tool. Keeping the beater bar/brush clean will maintain efficiency.

REPLACING DRIVE BELTS

Should the drive belt on your Turbine Power Brush come off the pulleys:

1. Turn off vacuum system and disconnect Power Brush.
2. Remove top cover after removing the two screws as shown in Fig. 5.
3. Make sure the belt is in place on the large (brush) pulley then slide it on to the small pulley.
4. Reassemble top cover and screws.

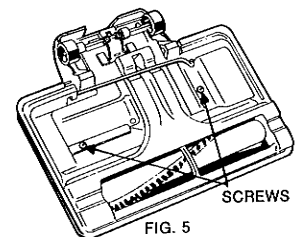


FIG. 5

REPLACING BEATER BAR AND BRUSH STRIP

Through normal use, the replaceable brush strip and beater bar on your Turbine Power Brush will wear, requiring replacement. For efficient cleaning, the brush strip *must* protrude beyond the bottom of the base plate.

To replace the brush strip or beater bar:

1. Turn off vacuum system and disconnect Power Brush.
2. Remove metal base plate. (See Fig. 3)
3. Lift rotating brush out of receptacles (first lift the side opposite drive belt) and slip drive belt off.
4. Slide the beater bar or brush strip out of the wooden roller, using pliers if necessary. It may be helpful to first push the strip away from the pulley end of the roller bar, using a screwdriver. (See Fig. 6) Exercise care when using hand tools.
5. Reassemble Power Brush using above steps in reverse.

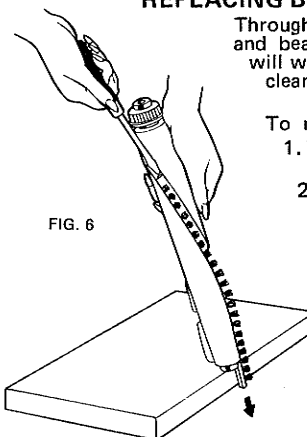


FIG. 6

OTHER REPAIRS

For repairs or service beyond those described above, please contact your servicing distributor or dealer.