

N56

NOBLES®

**SPEEDRY
WET VACUUM**

Instruction Manual and Parts Breakdown

PLEASE READ MANUAL BEFORE OPERATING MACHINE
THIS MANUAL REVISED 5/91

Machine Serial Number _____

NOBLES INDUSTRIES, INC. 4240 Blue Star Highway, Holland, MI 49423

800-866-3200

616-394-5100

FAX: 616-392-2886

TELEX: 910 2409 127

N50**A. SET UP AND OPERATION:**

NOTE: When you receive your new Speedry, some assembly is necessary, perform steps 1-5 below.

1. Remove the four nuts that secure the handle.
2. Reverse the handle, then tighten the four nuts to secure the handle in the operating position.
3. Tip machine back to rest on large wheels and handle.
4. Snap on the squeegee head. The floor clearance on the front rubber blade is pre-set to 1/8" at the factory. If further adjustment is needed, see section C. SQUEEGEE ADJUSTMENT.
5. Connect the twist lock cord set to unit.
6. Before operation, make sure the dump valve is closed.
7. Plug into a grounded 120 volt A.C. outlet as shown in Figure 1.

WARNING!!! Do not expose to rain. Store indoors. Disconnect power if machine is left unattended. Plug into grounded outlets only. Do not use an adapter or remove ground pin on plug. Do not use if cord is damaged. Disconnect power before servicing. Electrical service must be performed by an authorized service station or electrician. Do not use machine to recover hazardous or flammable materials. Do not use where explosive vapors or dust are present in the air. Do not allow machine to freeze.

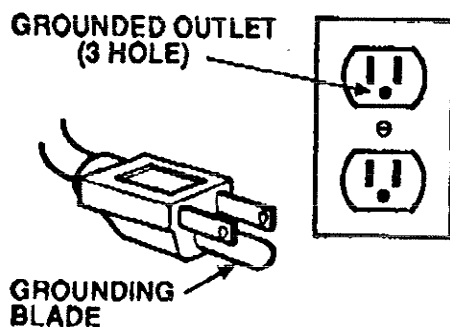


Figure 1

B. CARE AND MAINTENANCE:

WARNING!!! Unplug machine from power supply before attempting any repairs or adjustments.

1. Inspect cord, plugs, and other electrical connections periodically and tighten or replace as needed.

2. Inspect and tighten loose nuts and bolts on machine.
3. After each use:
 - a. Flush tank and tube with clean water.
 - b. Flush float housing with clean water.
 - c. Inspect squeegee head inside surfaces and scrape
 - d. Clean as necessary.
 - e. Wipe the outside of the tank clean.

C. SQUEEGEE HEAD ADJUSTMENT:

Refer to Figure 2 as you perform these steps.

1. Place Speedry on a table or level floor.
2. Loosen all four cap nuts, #1.
3. Loosen all four lock nuts, #2 using the squeegee setting gauge wrench.
4. Adjust back casters, #3 until the setting gauge slides under the main wheels, #4 lifting the wheels 1/8" above the floor.
5. Push downward on the squeegee head at point #5. Adjust the front casters until the FRONT squeegee blade is 1/8" above floor. The REAR squeegee blade should rest ON the floor.
6. Again, apply pressure at point #5, and swivel all casters to insure even pressure. Adjust casters by twisting up or down.
7. Tighten all four cap nuts, #1.
8. Tighten all four lock nuts, #2.

D. CORD MAST/ HOLDER (OPTIONAL)

1. Insert the mast (cable bracket #C2295) into the socket provided in the motor cover. (See Figure 3)
2. Insert the second rod (VM-108) into the hole of first rod.
3. Insert the mast arm (VM-109) over the second rod.

NOTE: To convert your Speedry for use with a hose and wand, order these parts from your Nobles Dealer:

Adapter Part #4825
 Hose Part #6267
 Wand Part #6108-1
 2-Blade Squeegee Part #13840

N50

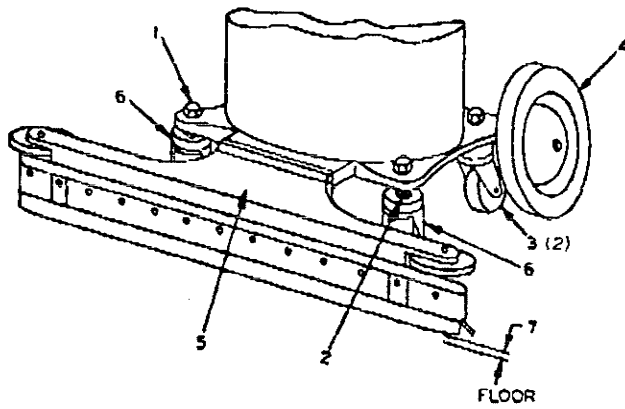


Figure 2

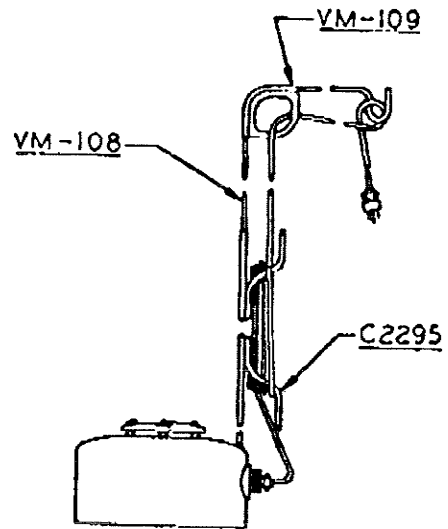
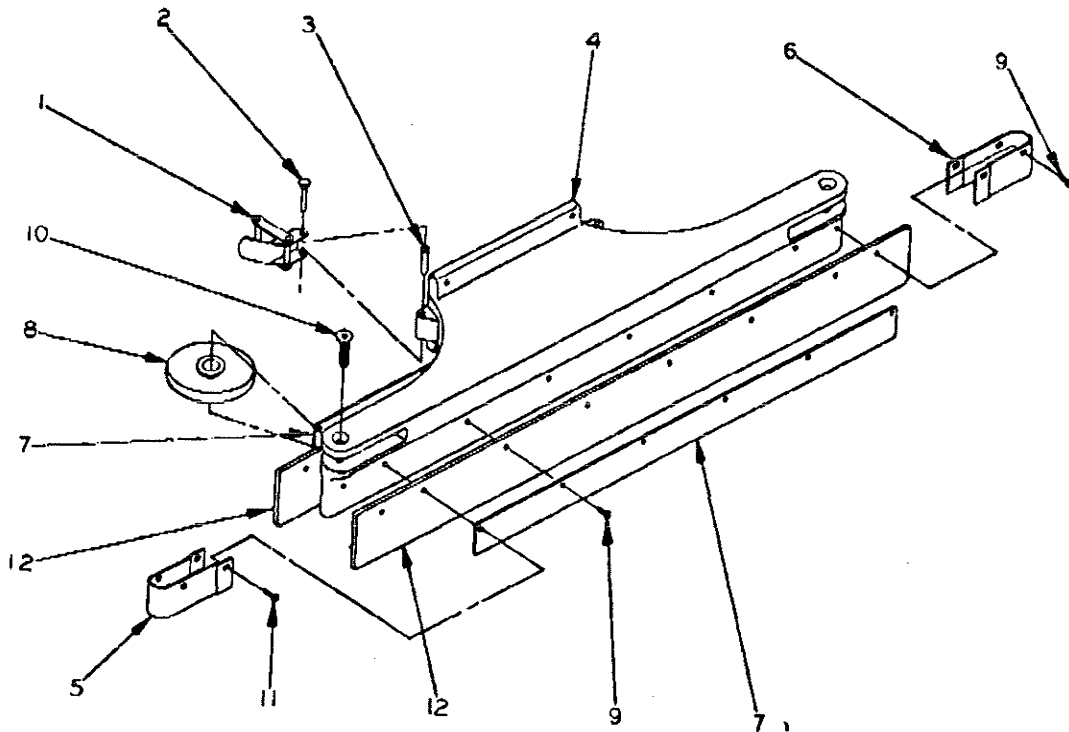


Figure 3

SQUEEGEE HEAD PARTS LIST

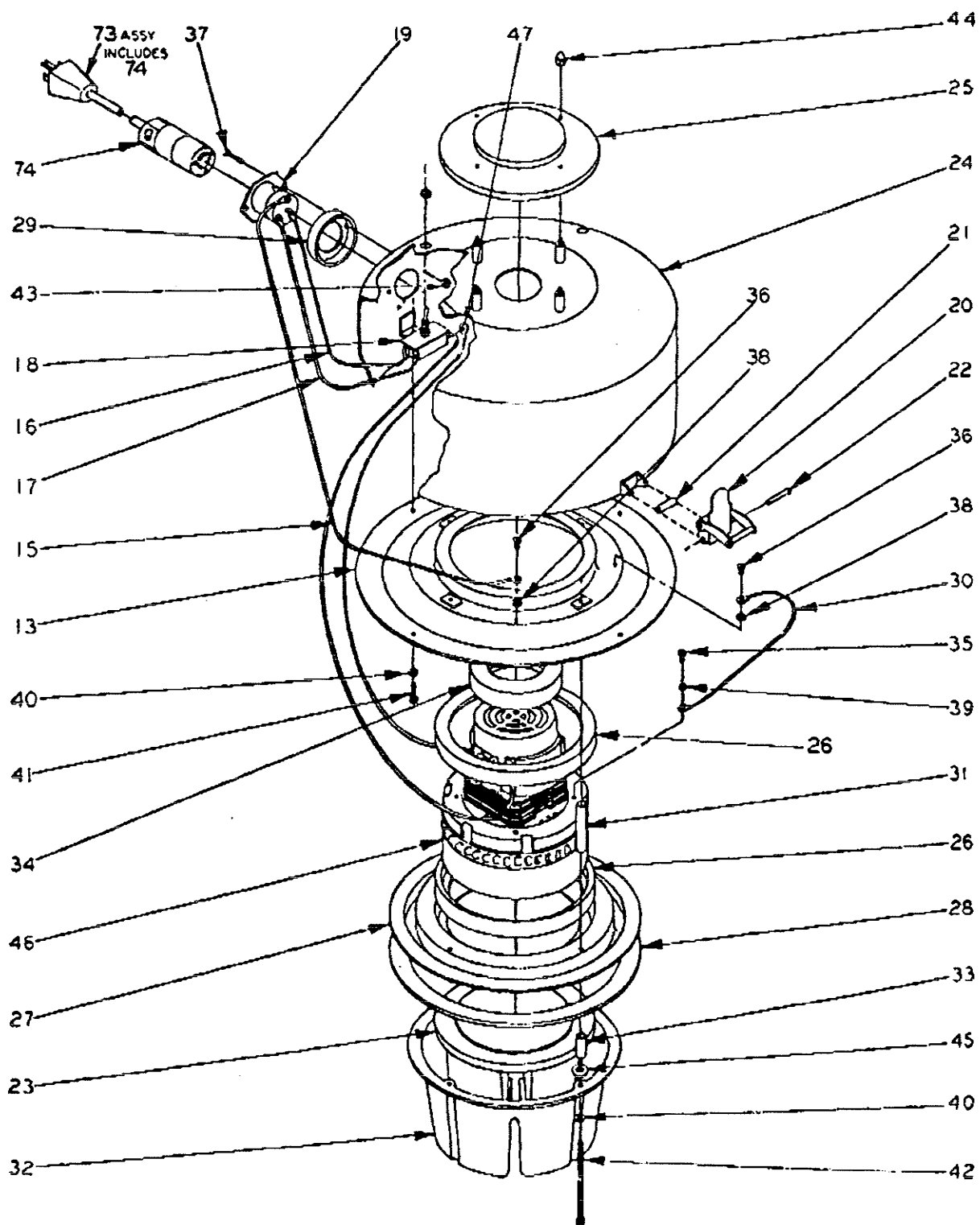
0174.112 Assy

ITEM #	DESCRIPTION	PART #	QTY.	ITEM #	DESCRIPTION	PART #	QTY.
1.	LATCH ASSY. (Order #2 & #3 also)	0174.117	2	7.	SQUEEGEE RETAINER	0174.61	2
2.	RIVET, LATCH	0174.47	2	8.	WHEEL BUMPER	28192	2
3.	SPACER	0174.13	2	9.	SCREW	140887	12
4.	SQUEEGEE	0174.37	1	10.	SCREW, SOCKET HEAD	3152	2
5.	SQUEEGEE RETAINER	0174.93.1	1	11.	SCREW	140892	4
6.	SQUEEGEE RETAINER	0174.93.2	1	12.	SQUEEGEE BLADE	0174.34	2
					SQUEEGEE HEAD ASSY. (#1-#12)	0174.112	1



COVER ASSEMBLY PARTS DIAGRAM

700397



N50**COVER ASSEMBLY PARTS LIST**

ITEM #	DESCRIPTION	PART #	QTY.	ITEM #	DESCRIPTION	PART #	QTY.
13.	MOTOR SUPPORT ASSEMBLY	0174...9	1	37.	SCREW, 6-32 X 3/4 PAN HD. PHIL.	2728.12	2
15.	GROUND WIRE	0174..6510	1	38.	LOCKWASHER, #8	140042	2
16.	SWITCH WIRE, BLACK	0174..66	1	39.	LOCKWASHER, #10 INT. LOCK TOOTH	140018	1
17.	SWITCH WIRE, WHITE	0174..72	1	40.	LOCKWASHER	140052	8
18.	SWITCH	2636	1	41.	SCREW, HEX HD. CAP 1/4-20 X 1/2	140553	4
19.	RECEPTACLE	18504	1	42.	SCREW, HEX HD. CAP 1/4-20 X 3 1/2	2998.28	4
20.	LATCH ASSY. (REQ. 21, 22)	0174.116	3	43.	NUT	140539	2
21.	SPACER	0174..13	3	44.	NUT, 1/4" CAP	140503	4
22.	RIVET, LATCH	0174..47	3	45.	WASHER, 1/4 FLAT	6306.4	4
23.	FLOAT	0174.124	1	46.	MOTOR (REQ. (2) K2353)	5952	1
24.	BRACKET & SHROUD ASSY. GREY	2905	1	47.	RING TERMINAL	2353	2
25.	CANOPY	0174...1	1	73.	POWER CORD ASSY. (INCL. 74)	28198.100	1
26.	MOTOR SEAT	0174..10	2	74.	TWIST-LOCK, FEMALE	28199	1
27.	MOTOR CLAMP RING	0174..11	1				
28.	COVER GASKET	0174..16	1				
29.	SOCKET SPACER	0174..64.NLG	1		NOT SHOWN IN DIAGRAM:		
30.	GROUND WIRE	0174..65.5	1				
31.	MOTOR SUPPORT SPACER	0174..82	4		MOTOR BRUSHES:		
32.	FLOAT HOUSING	0174.100	1		FOR MOTORS STAMPED 407	5809	2
33.	SPACER	0174.104	4		FOR MOTORS STAMPED 757	20689	2
34.	AIR SEAL	5960	1		DECAL, WARNING FOR YOUR SAFETY	21700	1
35.	SCREW, 10-24 X 3/8 THREAD CUTTING	5114.6	1		DECAL, WARNING TO AVOID RISK OF FIRE	22626	1
36.	SCREW, 6-32 X 5/16 PAN HD. PHIL.	2728.5	2		DECAL, WARNING TO AVOID ELECTRIC SHOCK	28921	1

N50

RECOVERY TANK PARTS LIST

ITEM #	DESCRIPTION	PART #	QTY.	ITEM #	DESCRIPTION	PART #	QTY.
49.	FRAME, GREY	3124	1	63.	GASKET	3157	1
50.	GASKET	2747	1	64.	WASHER, 5/16 FLAT	14880.4	3
51.	NUT	3058	2	65.	VALVE	25581	1
52.	WHEEL	3143	2	67.	NUT	28422	2
53.	CASTER	3144	4	68.	HANDLE	0174..39	1
54.	NUT	3146	4	69.	SCREW	140219	4
55.	NUT	3147	4	70.	SCREW	140221	4
56.	COMPRESSION WASHER	4252	4	71.	WASHER, SPLIT LOCK 5/16" - S/S	140015	8
58.	TANK, GREY	28438	1	72.	SQUEEGEE SETTING GAUGE		
59.	LATCH HOOK	27828	3		(NOT SHOWN)	0174..77	1
60.	STANDPIPE	28162	1				
61.	GASKET	28437	1				
62.	SCREW, HEX HD. CAP 5/16-18 X 5/8	3036.10	3				

N50**NOBLES WARRANTY POLICY**

Includes most Nobles' machines [SS1700, SS3300, SS2700, SS2000(Battery/Automatic), BR20, Speedshine Standard 17' & 20', Speedshine Twenty (Dual Speed), Speedshine 1200/1600/2000, Vacuums S16, S22 and S26, TV1200, Strap-a-Vac, Super CarpetVac, SpeeDry, SCX16, SCX 20, 941 Canister Extractor and Power Brush] with the exception of the Apex Fan, Whirlwind & Aurora Pressure Washer*.

Subject to the conditions and exceptions stated in this warranty, Nobles Industries, Inc. warrants the Nobles' product to be free from defects in material and workmanship under normal use and service for 3 years to the original purchaser. At any time within 3 years from date of delivery to the original purchaser, the company will furnish a replacement part for the Nobles product. Such a replacement part will be furnished and charged to the owner, including transportation charges, through any authorized Nobles Distributor or F.O. B. the factory. If the original part is returned for inspection by the factory and is found to be defective, the owner will be credited for the cost of the replacement part, labor (as specified in the Warranty Flat Rate Schedule), and normal transportation charges only. Parts replaced or repaired under warranty are fully guaranteed for the remainder of the original warranty period.

Subject to the conditions and exceptions stated in this warranty, Nobles Industries, Inc. warrants the Nobles' rotationally molded polyethylene parts to be free from defects in material and workmanship under normal use and service for 5 years to the original purchaser and for the period from 5 to 10 years prorated at 20% per year. At any time within 10 years from the date of delivery to the original purchaser, the company will furnish for the Nobles' product a rotationally molded polyethylene replacement part. Such a replacement part will be furnished and charged to the owner, including transportation charges, through any authorized Nobles' Distributor or F.O.B. the factory. If the original part is returned for inspection by the factory and is found to be defective within 5 years from the date of delivery, the owner will be credited for the replacement cost. If the original part is returned for inspection by the factory and is found to be defective during the period from 5 to 10 years from the date of delivery, the owner will be responsible to pay 20% of the replacement cost per year for each year between year 5 and year 10, and will be credited with the remainder of the replacement cost. Replacement cost shall include the cost of the replacement part, labor (as specified in the Warranty Flat Rate Schedule), and normal transportation charges only. Parts replaced or repaired under warranty are fully guaranteed for the remainder of the original warranty period.

Parts that have become defective through wear or abuse are not included in this warranty. Study the owner's manual to prevent abuse. This warranty does not apply to damage or defect caused by accident, misuse, negligence, abuse, fire, or to any Nobles' product which has been repaired by other than an authorized Nobles' distributor or factory personnel. Because this product is intended for commercial and/or industrial use, no warranty is extended to persons purchasing for personal, family, or household uses. This warranty is void if anything other than Nobles' approved cleaning products are used. There are no other warranties expressed or implied including any implied warranties of merchantability or fitness for a particular purpose. In no event shall Nobles be liable for incidental or consequential damages or any damages to persons or property. (Some states do not allow the exclusion or limitation of incidental or consequential damages, so the above limitation may not apply to you.)

Warranty Exceptions:

Nobles Apex Fan shall be warranted free from manufacturer's defects in material and workmanship under normal use and service for 5 years to the original purchaser.
 Nobles Whirlwind Vacuum shall be warranted free from manufacturer's defects in material and workmanship under normal use and service for 1 year and warranted against manufacturer's defects and workmanship for 5 years on all rotationally molded parts to the original purchaser.
 Nobles Aurora Pressure Washer shall be warranted free from manufacturer's defects in material and workmanship under normal use and service for 1 year to the original purchaser.

NOBLES INDUSTRIES, INC. **4240 Blue Star Highway,** **Holland, MI 49423**
 800-866-3200 616-394-5100 FAX: 616-392-2886 TELEX: 910 2409 127