

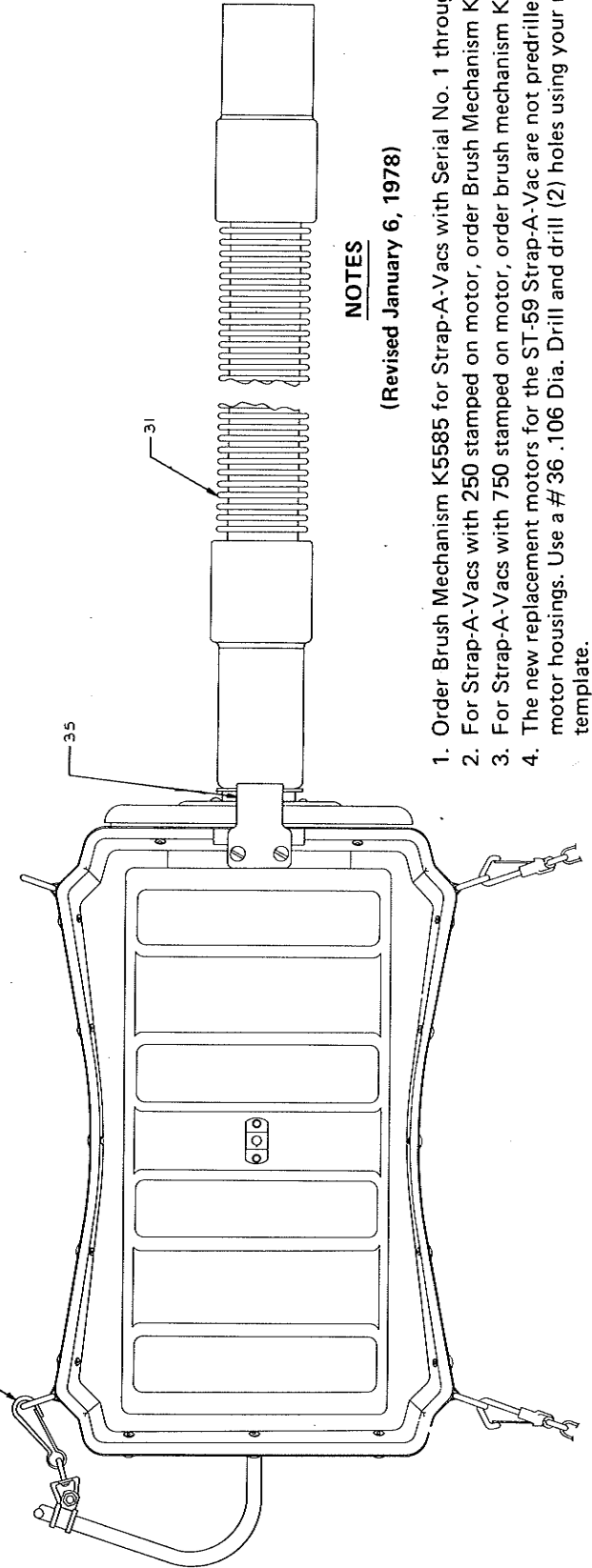
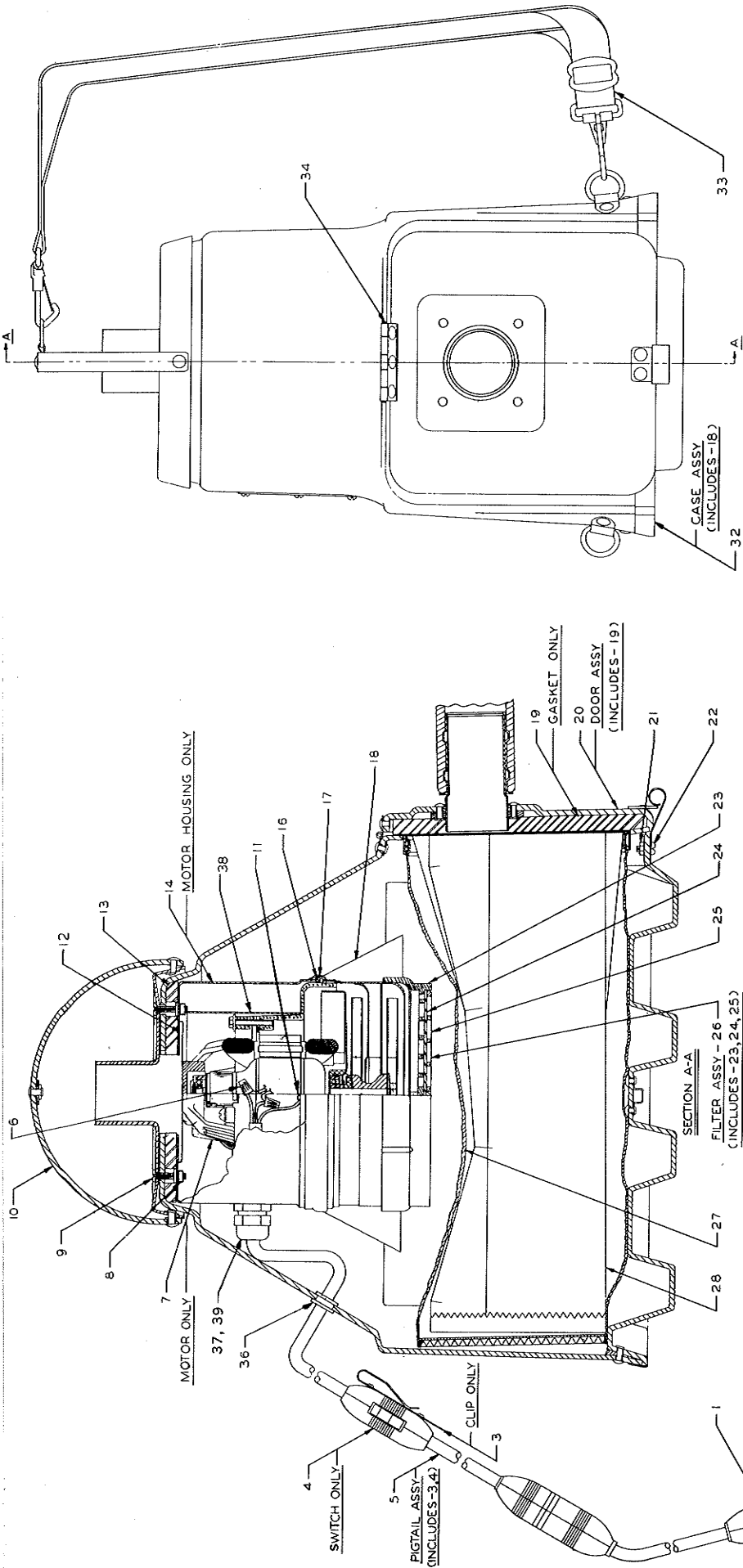


645 E. 7th ST., ST. PAUL, MINN. 55106
 TELEPHONE (612) 771-5581
 TELEX NO. 29-7403

FORM 128-38115
 PARTS BREAKDOWN
 EFFECTIVE MARCH 1, 1982
 (See Form No. 200 For Prices
 E.E.O. EMPLOYER M/F

**MODEL ST-59 STRAPAVAC
 ASSEMBLY E6030
 Started with Serial No. 15000**

No.	Part Number	Description	Qty.
1	K6058	46' Power Cord	1
3	A6042	Clip	1
4	K6040	Switch	1
5	B21562	4' Pigtail (includes parts 3 & 4)	1
6	K3088	Wire Connector	2
7	C6362	Motor	1
8	K6020	Motor Support Nut Set	4 (4)
9	K6010-16	Upper Motor Mount Screws	4 (4)
10	B22528	Assy. Handle & Dome	1
11	K5114-6	Pan Hd.-Tapping Screw	1
12	A6023	Motor Protection Screen	1
13	B6018	Motor Mount Gasket	1
14	C22529	Motor Housing	1
16	K3701-6	Lower Motor Mount Screws	4 (4)
17	A6078	Motor Seal Gasket	1
18	B6000	Insulation	2
19	B22524	Door Gasket	1
20	C22525	Door With Hardware (includes Part 19)	1
21	K8880	Hex. Nut	2
22	K6032-6	Machine Screw	2
23	K6358	Plastic Filter Frame	1
24	B6359	Filter	1
25	C6491	Plastic Filter Lock	1
26	C6361	Filter Assembly (includes Parts 23, 24, 25)	
27	C6038	Cloth Filter Bag	1
28	C6033	Paper Throw Away Bag	12 (Doz.)
29	B5796	Cord Strain Reliever	1
31	K6053	Hose Assembly	1
32	E6069	Case Assembly (includes Part 18)	1
33	C6045	Harness	1
34	A6003	Hinge Pin	1
35	A6622	Spring	1
36	K14174	Grommet	1
37	K21497	Strain Reliever	1
38	B21559	Assy - Motor Guard	1
39	K22683	Nut	1



NOTES
(Revised January 6, 1978)

1. Order Brush Mechanism K5585 for Strap-A-Vacs with Serial No. 1 through 2051. (2 required)
2. For Strap-A-Vacs with 250 stamped on motor, order Brush Mechanism K5726 (2 required)
3. For Strap-A-Vacs with 750 stamped on motor, order Brush mechanism K20689. (2 required)
4. The new replacement motors for the ST-59 Strap-A-Vac are not predrilled to accept old motor housings. Use a #36 .106 Dia. Drill and drill (2) holes using your motor housing as a template.