



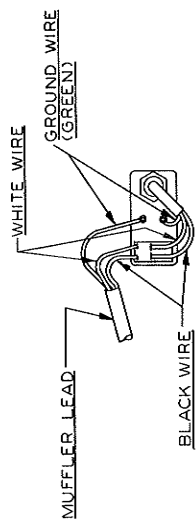
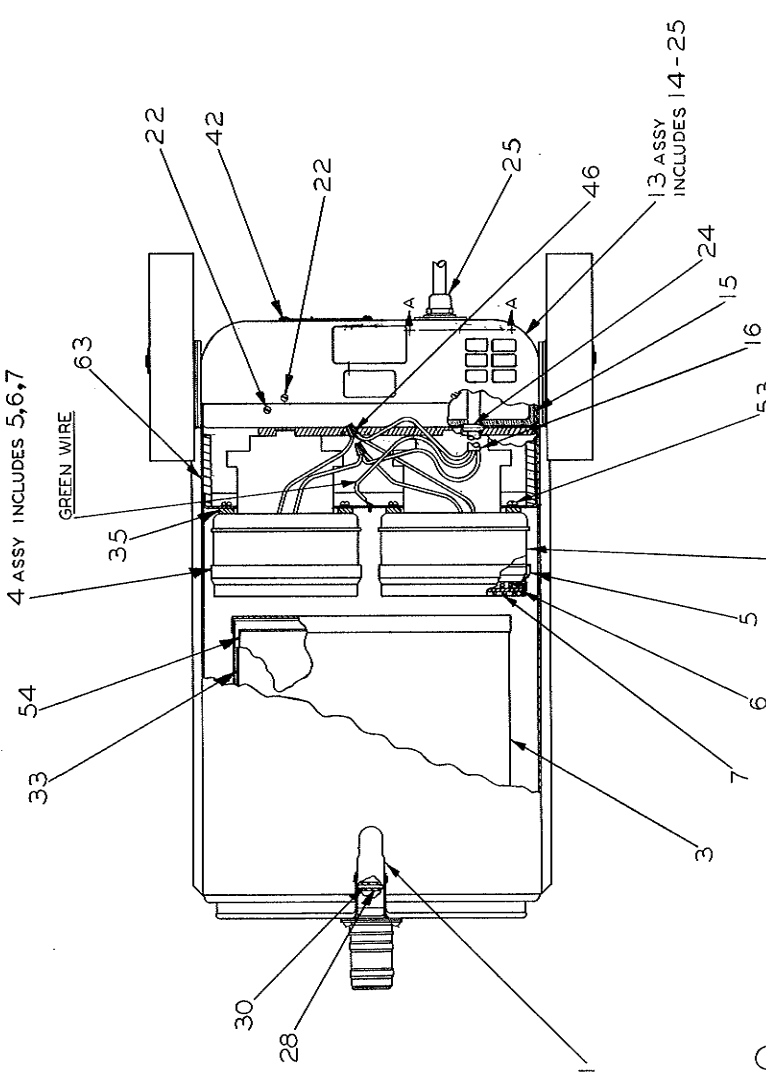
645 E. 7th ST., ST. PAUL, MINN. 55106
 TELEPHONE (612) 771-5581
 TELEX NO. 29-7403

FORM 345-78015C
 EFFECTIVE JULY 2, 1980
 E.E.O. EMPLOYER M/F

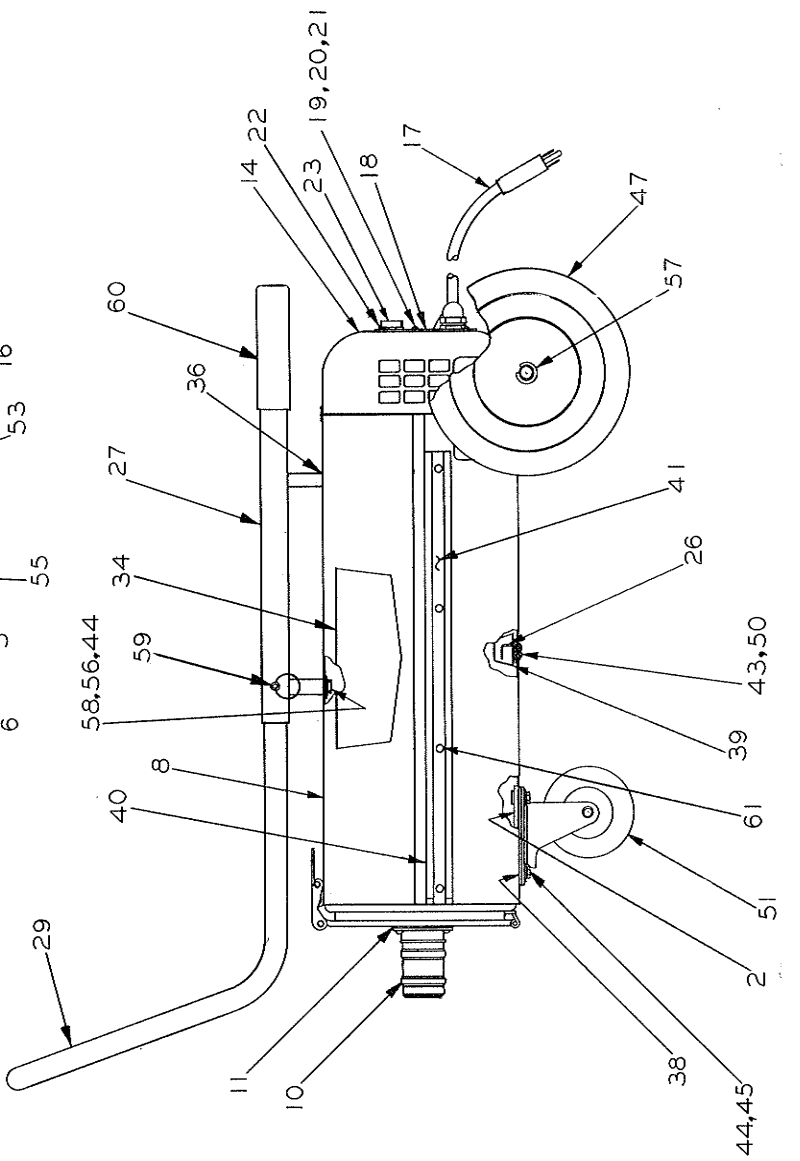
PARTS BREAKDOWN - MODEL D-2
 E21731

NO.	ORDER BY	QTY.	DESCRIPTION	NO.	ORDER BY	QTY.	DESCRIPTION
1	VM-00174-116	1	Assy -Latch	33	C4177	1	Bag, Cloth
2	A5007	1	Assy - Plate & Weld Nuts	34	B6742	2	Decal
3	C5146	1	Assy - Basket, Filter Bag	35	A16101	2	Gasket, Motor
4	C6361	2	Assy - Filter (Includes 5,6,7)	36	A22512	4	Spacer
5	C6358	2	Frame, Plastic	37	A21713	1	Axle
6	B6359	2	Filter	38	A21717	1	Spacer
7	B6491	2	Frame, Filter	39	B21719	1	Bumper
8	D21709	1	Assy - Tank Weldment	40	B21721	2	Bumper
9	C21711	1	Assy - Manifold & Sleeve (Includes 10,11,12,62)	41	A21730	2	Retainer, Side
10	A21704	1	Sleeve, Swivel Hose	42	K2725	4	Screw, Tapping
11	A22516	1	Gasket	43	K2964-10	2	Lockwasher
12	K22522	4	Rivet	44	K2964-14	8	Lockwasher
13	C22299	1	Assy - Muffler (Includes 14 - 25)	45	K2998-5	4	Screw, Hex Hd.
14	C22302	1	Assy - Outer Shell & Acoustical Material	46	K3088	2	Wire Nut
15	C22303	1	Assy - Inner Shell & Acoustical Material	47	K3143	2	Wheel
16	A22296	1	Motor Lead	48	K3331-6	6	Screw, Flat Hd.
17	B22297	1	Cord, Power	49	K4252	2	Washer, Wave
18	B22352	1	Plate, Switch	50	K4770-6	2	Screw, Pan Hd.
19	K2728-5	2	Screw, Rd. Hd.	51	K5088	1	Caster
20	K2964-06	8	Lockwasher	52	K5115	1	Roll Pin
21	K3069	8	Nut, Hex	53	K5114-10	8	Screw, Pan Hd.
22	K3701-4	13	Screw, Sheet Metal	54	C5141	12	Paper Filter Bag
23	K12984	1	Switch, Rocker	55	K5714	2	Motor
24	K15478	1	Grommet	56	K6306-4	4	Washer, Flat
25	K21497	1	Strain Reliever	57	K15996	2	"E" Ring
26	B22345	1	Assy - Bracket & Weld Nuts	58	K14501	4	Nut, Hex
27	B22354	2	Assy - Handle Tube & Weld Screws	59	K16493	2	Pin
28	VM-00174-13	1	Pin	60	K18244	2	Grip, Handle
29	D22506	1	Handle	61	K22358	8	Pop Rivet
30	VM-00174-47	1	Rivet	63	B22511	1	Insulation
31	B3925	2	Hinge				
32	A4058	1	Pin, Hinge				

4 ASSY INCLUDES 5,6,7



VIEW A-A



9 ASSY INCLUDES 10,11,12,62

