



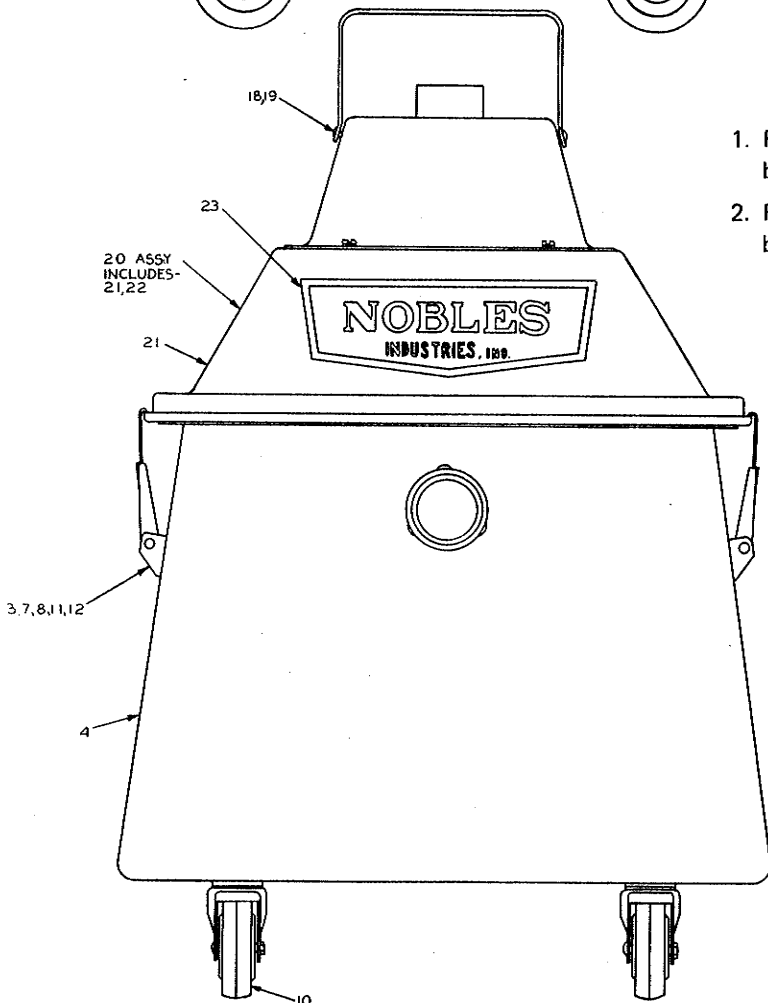
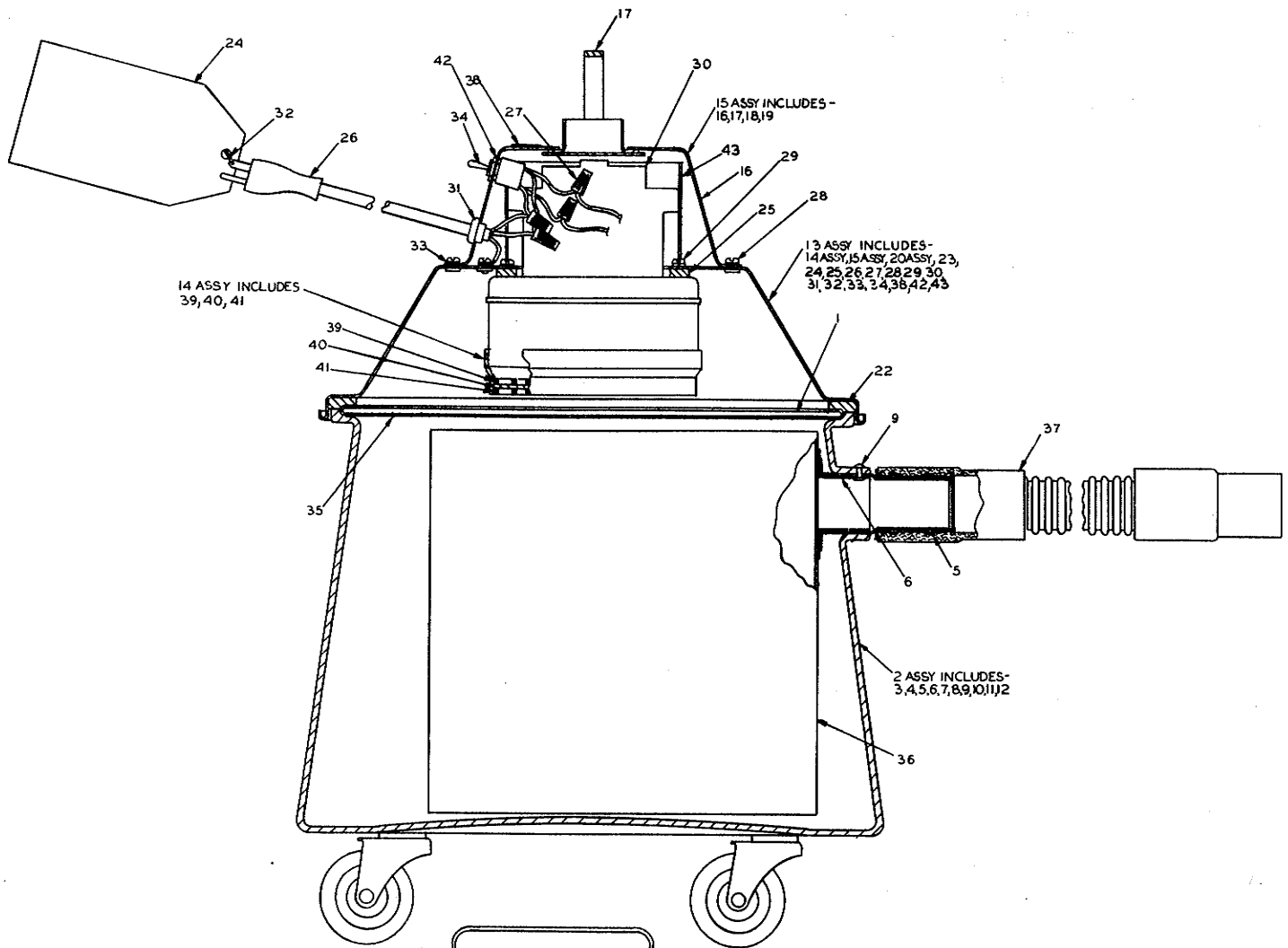
645 E. 7th ST., ST. PAUL, MINN. 55106  
TELEPHONE (612) 771-5581  
TELEX NO. 29-7403

FORM 213-37915  
COMMERCIAL PRICE SHEET  
EFFECTIVE DECEMBER 1, 1973  
REVISED MAY 1, 1981  
E. E. O. EMPLOYER M/F

PARTS BREAKDOWN  
MODEL 580 DRY VAC  
ASSEMBLY D16125  
Started with Serial No. 1513

NO.	ORDER BY	QTY.	DESCRIPTION
1	C16103	1	Ring
2	C16121	1	Assy Tank (Includes 3 thru 12)
3	A14156	2	Bearing Plate
4	D16092	1	Tank
5	A16110	1	Swivel Hose Sleeve
6	A16111	1	Intake Connector
7	K2964-06	4	Lockwasher
8	K3069	4	Nut
9	K6001-20	3	Rivet
10	K12897	4	Caster
11	K13106	2	Latch
12	K15769-8	4	Screw
13	D16126	1	Assy Head (Includes 14, 15, 20, 23 thru 34, 38)
14	C6361	1	Assy Filter (Includes 39, 40, 41)
15	C16130	1	Assy Motor Hood (Includes 16, 17, 18, 19)
16	C16123	1	Motor Hood
17	C16099	1	Handle
18	K6001-24	2	Rivet
19	K6008	2	Rivet Set
20	C16132	1	Assy-Motor Housing (Includes 21, 22)
21	C16124	1	Motor Housing
22	A16100	1	Gasket
23	B6742	1	Decal
24	A13086	1	Tag
25	A16101	1	Gasket
26	B16113	1	50' Power Cord
27	K3088	4	Wire Nut
28	K4770-6	5	Pan Head Screw
29	K5114-10	4	Pan Head Thd, Cutting Screw
30	K5714	1	Motor
31	K21184	1	Strain Reliever
32	K13087	1	Clip
33	K15752-10	9	Lockwasher
34	K16131	1	Switch
35	C16109	1	Cloth Filter
36	C16112	1	Paper Filter Bag
37	K6267	1	10' Hose
38	A16405	1	Caution Decal
39	K6358	1	Plastic Filter Frame
40	B6359	1	Filter
41	C6491	1	Plastic Filter Lock
42	K5619	1	Indicator Plate
43	B21559	1	Assy-Motor Guard

PRICES ON REQUEST



**NOTES**

(Revised January 6, 1978)

1. For 580 with 250 stamped on motor, order brush mechanism K5726 (2 required).
2. For 580 with 750 stamped on motor, order brush mechanism K20689 (2 required).