



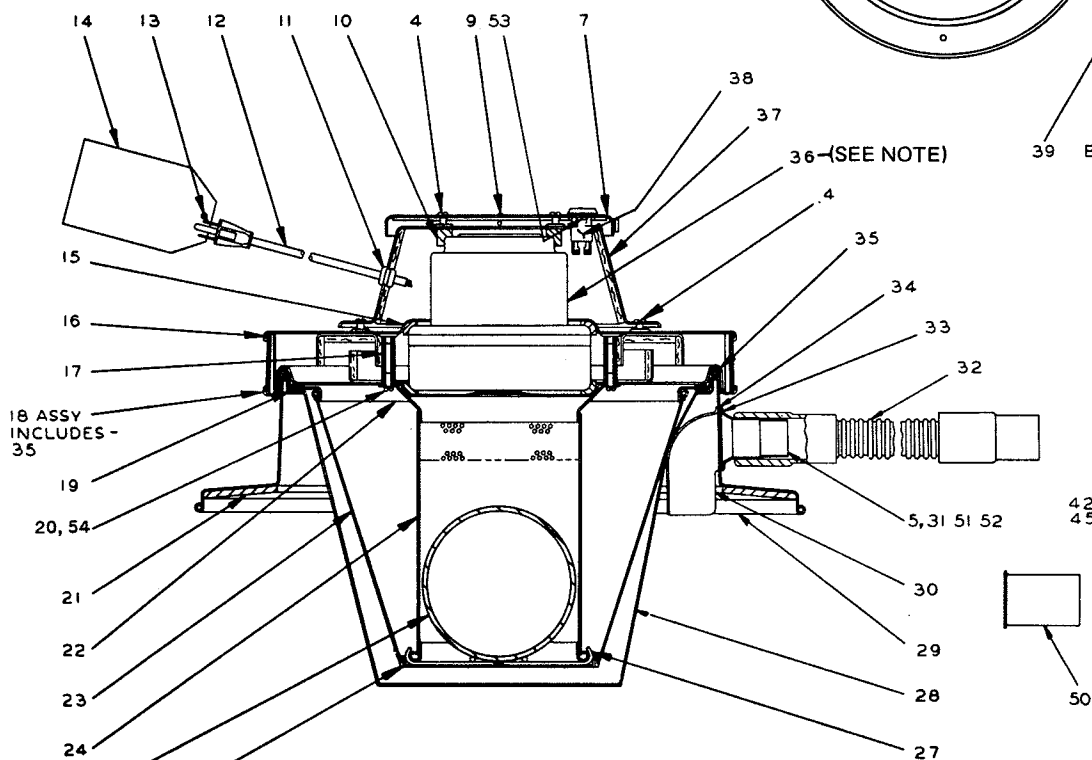
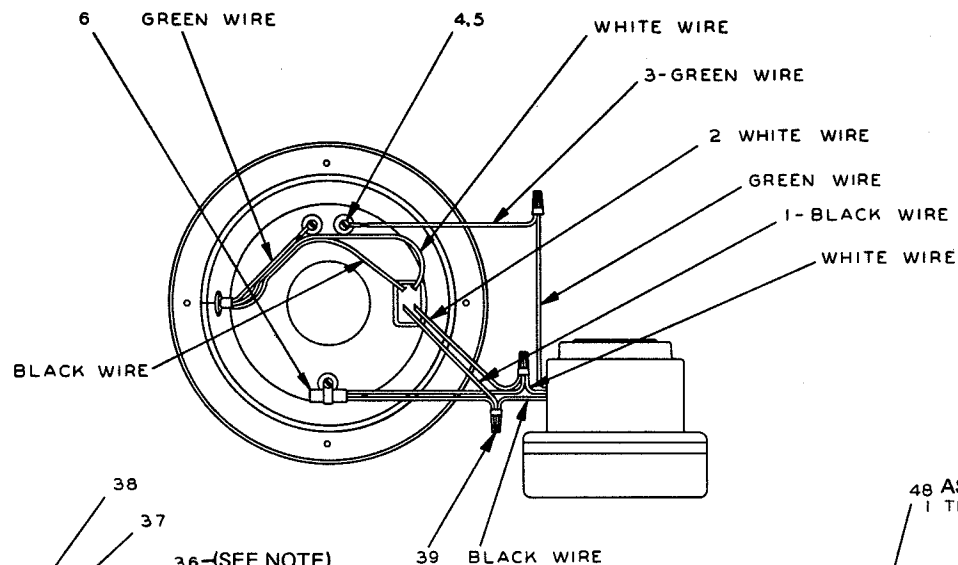
645 E. 7th ST., ST. PAUL, MINN. 55106
 TELEPHONE (612) 771-5581
 TELEX NO. 29-7403

FORM 158-5725
 PARTS BREAKDOWN
 EFFECTIVE DECEMBER 8, 1975
 (See Form No. 200 for prices)
 E.E.O. EMPLOYER M/F

MODEL 1200-55 DRUM ADAPTER
 ASSEMBLY E13466

No.	To Order Use Part No.	Qty.	Description	No.	To Order Use Part No.	Qty.	Description
1	A12573	1	Brush Switch Wire (Black Wire)	30	C13472	1	Deflector
2	A13107	1	Switch Wire (White Wire)	31	B13470	1	1½" Hose Sleeve
3	A13376	1	Ground Wire (Green Wire)	32	K6267	1	10 Ft. - 1½" Hose
4	K4770-6	11	Pan HD. Machine Screw	33	A13473	1	Sleeve Retainer
5	K2964-10	7	Shakeproof Lockwasher	34	A13471	1	Gasket
6	K13090	1	Radio Filter	35	C13332	1	Gasket
7	C13337	1	Handle & Dome	36	K6384	1	Motor
9	K9437	2	Drivescrews	37	D13346	1	Motor Hood
10	B13339	1	Air Seal	38	A12984	1	Switch
11	K6388	1	Strain Reliever	39	K3088	3	Wire Connector
12	B13375	1	50' Power Cord	40	B6742	1	Decal
13	K13087	1	Clip	41	B13364	1	Final Filter
14	K13086	1	Tag	42	K13106	2	Latch
15	A13329	2	Motor Seat	43	K12716-6	4	Pan HD. Machine Screw
16	D13464	1	Motor Housing Top	44	K2964-06	4	Shakeproof Lockwasher
17	A13338	4	Motor Support Spacer	45	K3069	4	Hex Nut
18	D13361	1	Assy Motor Housing Bottom (Includes 35)	46	D13386	1	Assy 18"-23" Drum Adapter (Includes 5, 30, 31, 33, 34, 42, thru 45, 49 thru 52)
19	C13334	1	Strip Gasket	47	D13356	1	Assy Spacer Ring & Emblem Plate (Includes 40)
20	K15753-32	4	RD.HD. Machine Screw	48	D13383	1	Assy Head (Includes 1 thru 18, 20, 24, 25, 27, 35 thru 41, 47, 53)
21	C13381	1	Large Sealing Gasket	49	D13474	1	Assy-Drum Adapter & Gasket (Includes 21 & 29)
22	D13333	1	Bag Retainer	50	B13469	1	2" Hose Sleeve
23	D13373	1	Cloth Filter Bag	51	K4770-8	4	Pan HD. Machine Screw
24	D13372	1	Float Chamber	52	K10652	4	Hex Nut
25	B13349	1	Float	53	K5113-4	2	Thread Cutting Screw
26	D13382	1	Assy Bag & Retainer (Includes 19, 22, 23)	54	K15752-10	4	Shakeproof Lockwasher
27	C12869	1	Brace & Ring				
28	C13374	1	Paper Filter Bag				
29	D13342	1	18"-23" Drum Adapter				

WIRING VIEW LOOKING UP INTO MOTOR HOOD



NOTE:
1. ORDER MOTOR BRUSH MECHANISM
K5874 REPLACEMENT (2 REQUIRED)

26 ASSY
INCLUDES -
19, 22, 23

