

Scout™ 27

Push Sweeper

MODELS: ST270 & SC2700

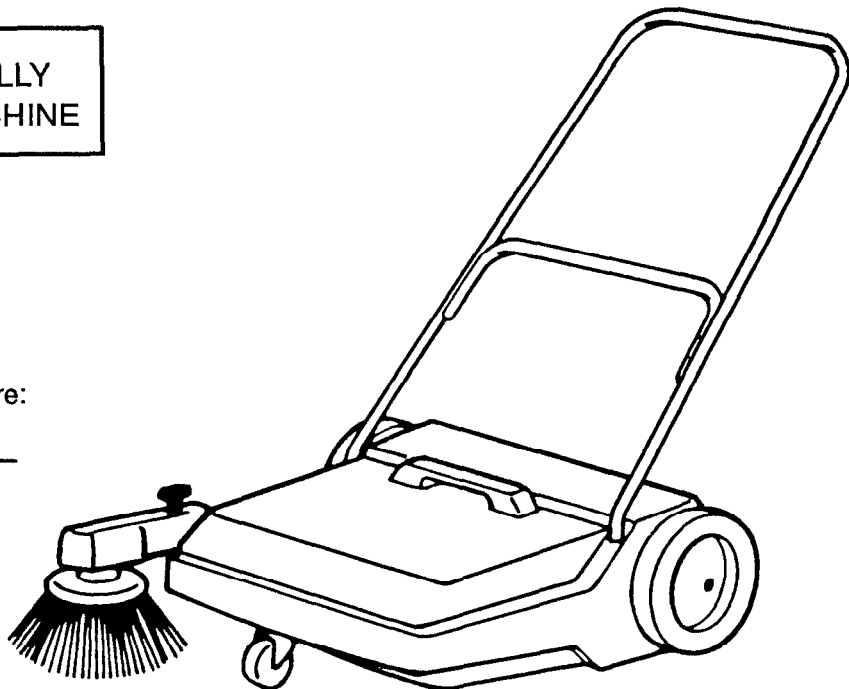
Reference Manual



PDF Version of Manual by:
Michigan Company Inc.
2011 N. High St.
Lansing, Mich. 48906
(517) 484-9312
<http://www.Michco.Com>
Email: Shop@Michco.Com
(c) 1998 by Michco & Others.

READ MANUAL CAREFULLY
BEFORE OPERATING MACHINE

Record Machine Serial Number Here:



CASTEX/NOBLES INC. A TENNANT COMPANY
12875 RANSOM STREET, HOLLAND, MICHIGAN 49423-9316

1-800-739-9359 616-786-2330 FAX: 1-800-678-4240 CUSTOMER SERVICE: 1-800-365-6625

Safety Instructions

To reduce the risk of burns, fire, or personal injury:

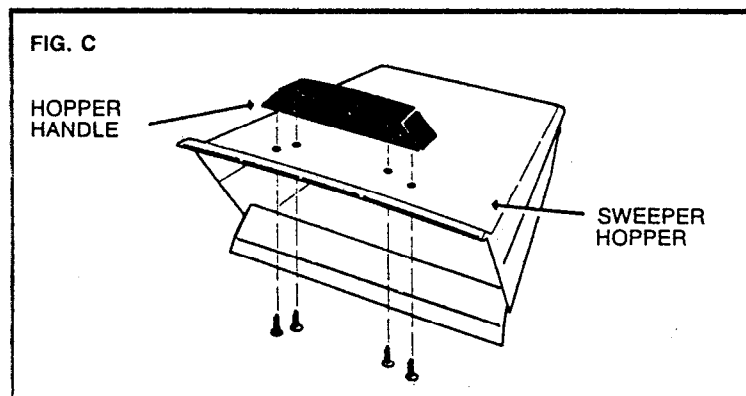
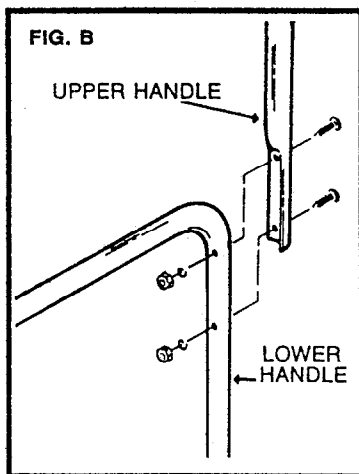
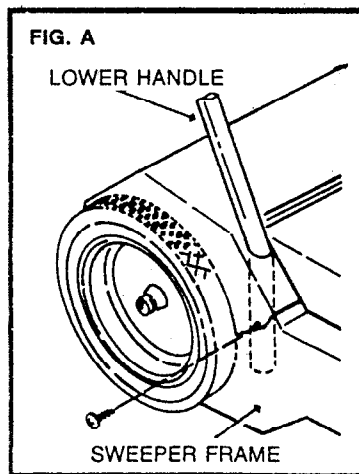
1. Do not pick-up toxic, carcinogenic, combustible, or other hazardous materials such as asbestos, arsenic, barium, beryllium, lead, pesticides, or other health endangering materials.
2. Do not pick up burning cigarettes or other smoking materials, matches or similar materials.
3. To avoid personal injury, use heavy gloves when removing glass, metal, or other sharp materials from the dirt hopper.
4. The dirt hopper should be emptied after each use.
5. The sweeper is NOT designed for use with liquids.

Unpacking and Set-Up

Your Scout® 27 push sweeper comes to you partially assembled. Before operation you must attach the handle and side broom to the main sweeper housing. First unpack the Scout® Sweeper from the shipping carton and place the unit on a flat surface. Remove the dirt hopper from the sweeper frame and remove parts which may have been packaged in the dirt hopper. Before the shipping carton is discarded, make sure that all loose parts and literature have been removed.

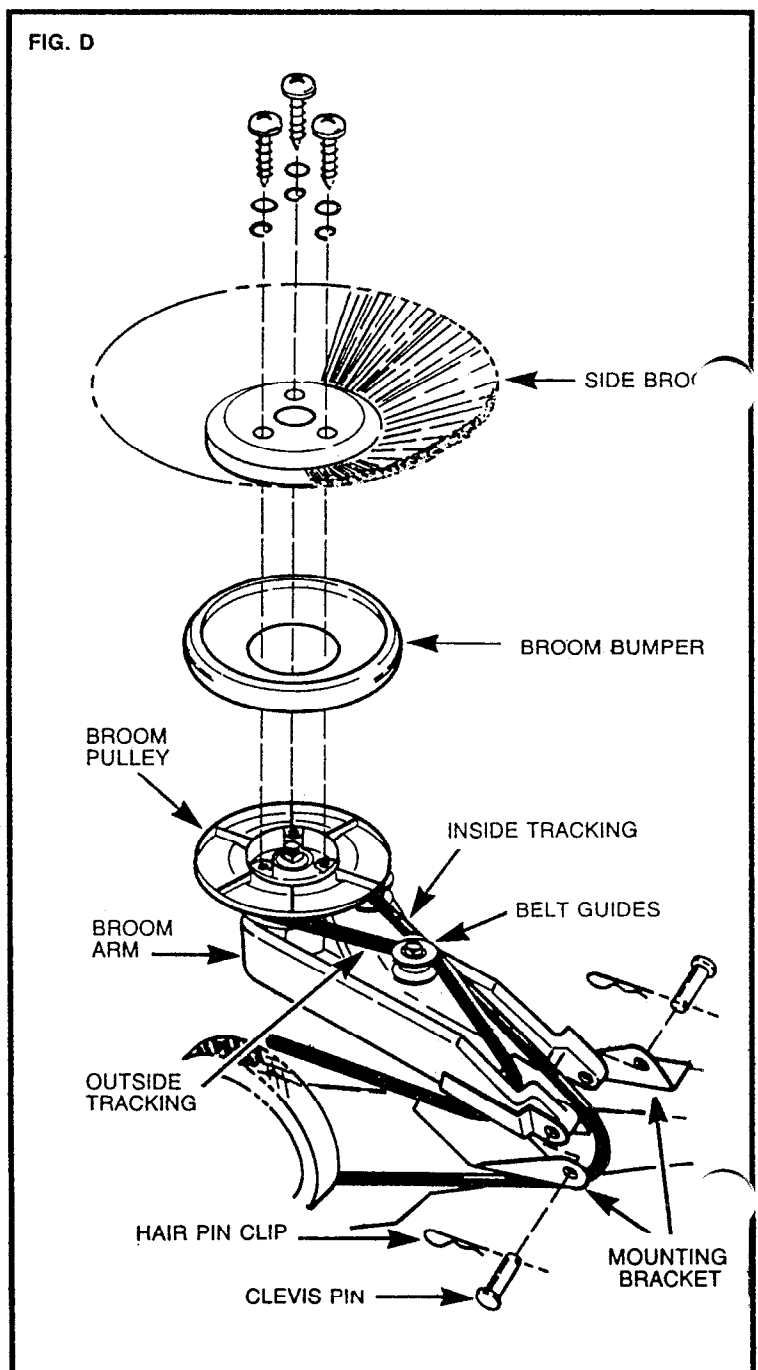
Handle Assembly

1. Place ends of lower handle into holes of sweeper frame. Attach with screws. (FIG. A)
2. Attach upper handle to lower handle using machine screws, lock washers and nuts. (FIG. B)
3. Hopper handle should be attached to the dirt hopper with screws provided. (FIG. C)



Side Broom Assembly

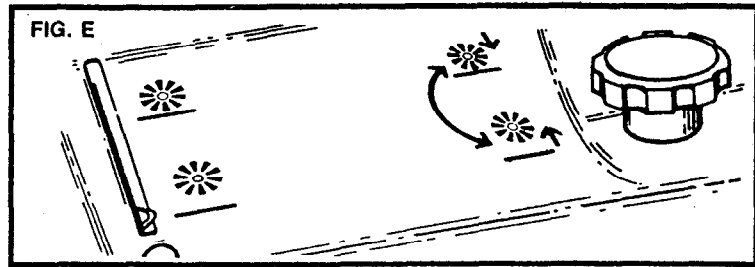
1. Drive belt should be positioned on the pulley when received. Check to ensure belt is on the pulley and between belt guides. (FIG. D)
2. With the side arm positioned as shown in FIG. D, place the belt between the walls of the side broom arm. Place the outside tracking belt over the rear wheel and above the mounting bracket. The inside tracking belt must be UNDER the mounting bracket.
3. Attach the side broom arm to the mounting bracket by aligning the holes in the arm with the holes in the mounting bracket. Insert clevis pins and secure with hairpin clips. (FIG. D)
4. Place side broom bumper on the side broom pulley with the outside flange toward side broom. Attach side broom to the side broom pulley with screws, lockwasher and washers. (FIG. D)
5. Lower side broom arm and replace hopper and you are ready for operation.
6. If side broom rotates in the wrong direction, the belt is not installed correctly, refer to steps 1 and 2 for proper belt alignment.



Operation

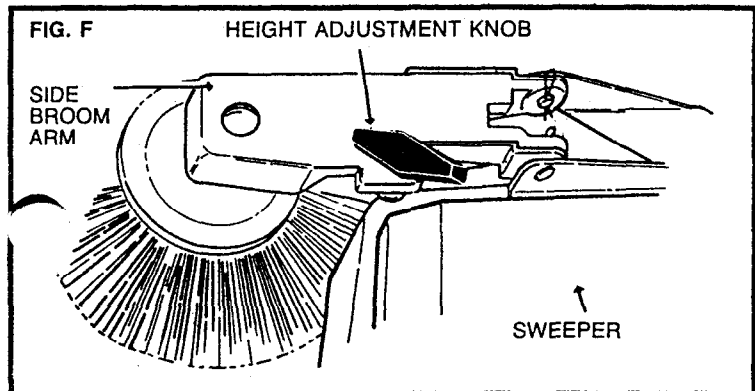
1. The main broom has been preset at the factory for maximum sweeping efficiency. If adjustments are required to adjust to surfaces or wear, this can be done by turning the adjustment knob. The height indicator will show the position of the broom as you make your adjustment (FIG. E) or best operating performance, the bristles of the broom should touch the floor.

NOTE: If the main broom is set too low, the sweeper will be hard to push.



2. The side broom should be lowered and used when sweeping along curbs or walls. The side broom may also be used when sweeping open areas.

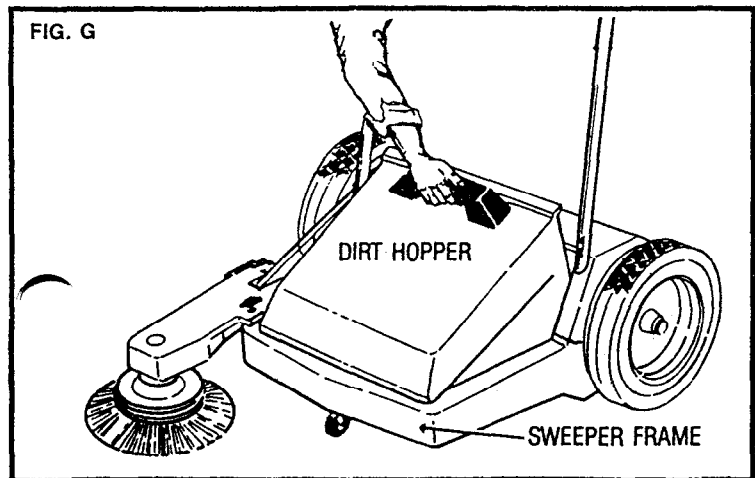
The side broom height should be adjusted to have approximately 1/3 of the bristles touching the floor. Adjustment can be made by turning the adjustment knob as shown in FIG. F.



3. To operate the Scout® 27, push it forward at your normal walking speed. The sweeper does not operate when pulled backwards.

4. To empty the dirt hopper, lift up on the handle located on the front of the hopper.

Empty contents of dirt hopper into a proper container and replace dirt hopper back on sweeper by placing front edge of the hopper on the sweeper frame and apply downward pressure until the hopper is in its proper position (FIG. G). The dirt hopper should be emptied after each use or as required. A full dirt hopper will affect the sweeping efficiency of the Scout® 27.



Maintenance

1. After each use, check for materials which may have become wrapped around brushes or wheels and remove immediately.

2. Do not lubricate gears, clutch or other internal parts.

3. Inspect rubber dust seals periodically for wear or damage. Replace as required.

4. Inspect the main broom periodically for wear. Replace the main broom when the bristles are worn to a length of 1 1/2" or less. The main broom can be easily replaced by removing three screws from each half. The same screws can then be used to attach the replacement broom.

5. Side broom should be inspected periodically for wear. Replace side broom when, with the adjustment in the down position, less than 1/3 of the bristles come in contact with the surface. The side broom can be easily replaced by removing the screws from the brush holder and reassembling the replacement brush using the same hardware.

Troubleshooting

Trouble	Trouble Cause	Remedy
Sweeper hard to push	<ul style="list-style-type: none"> •Side Broom set too low •Main Broom set too low •Large objects trapped under unit 	<ul style="list-style-type: none"> •Adjust Side Broom •Adjust Main Broom •Remove object
Poor pick-up	<ul style="list-style-type: none"> •String or other foreign object wrapped or lodged in Main Broom •Dirt Hopper full •Main Broom too high •Side Broom too high •Worn or damaged Floor Blade 	<ul style="list-style-type: none"> •Remove string or object •Empty Hopper •Adjust Main Broom •Adjust Side Broom •Replace Floor Blade
Excessive dust while sweeping	<ul style="list-style-type: none"> •Dirt Hopper full •Leak in Floor Seal •Sweeping pace too fast 	<ul style="list-style-type: none"> •Empty Hopper •Replace damaged Seal •Reduce speed •Raise Sidearm if cleaning large, open area at a fast pace
Streaks or patches left behind sweeper	<ul style="list-style-type: none"> •Some types of fine dirt will build up in area behind Main Broom 	<ul style="list-style-type: none"> •Remove any build-up in area behind Main Broom

Limited One-Year Warranty

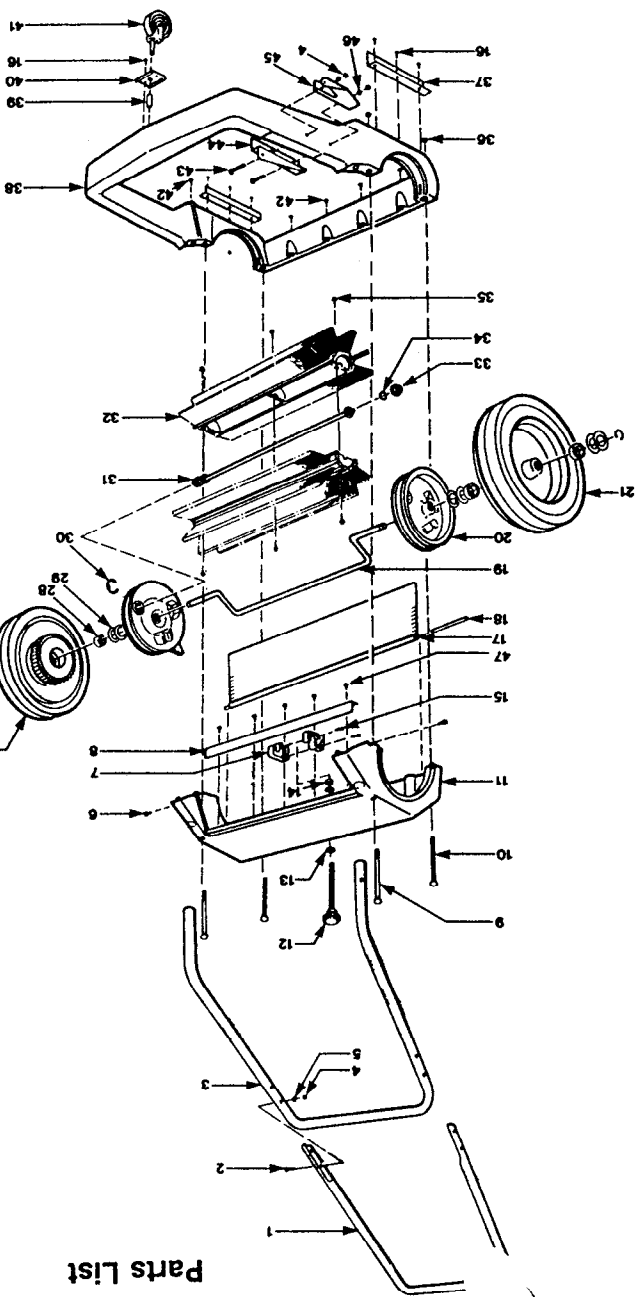
Tennant Trend warrants the Scout® 27 Push Sweeper for one year from date of purchase to correct by repair or parts replacement without charge any product defect due to faulty material or workmanship. Simply return the complete unit, transportation prepaid, to the Authorized Tennant Trend Service Center nearest you.

Tennant Trend assumes no responsibility for damage or faulty performance caused by misuse or careless handling, or where repairs have been made or attempted by others. Proof of purchase date is required. This warranty gives you specific legal rights, and you may also have other rights which vary from state to state.

1-800-739-9359 616-786-2330 FAX: 1-800-678-4240

12875 RANSOM STREET, HOLLAND, MICHIGAN 49423-9316

CASTEX/NOBLES INC. A TENNANT COMPANY



Parts List

ITEM NO.	DESCRIP.	PART NO.	QTY.
1	Upper Handle	027-683-000	1
2	Screw, 1/20x1 1/2" Slotted Truss Hd.	027-003-000	4
3	Lower Handle (Blk)	027-698-000	1
4	Hex Nut, 1/2-20	069-650-595	6
5	Lockwasher, 1/2" Internal Tooth	069-760-085	4
6	Screw, 1/4x1" Slotted Truss Head	027-714-000	6
7	Height Adjustment Nut - Half	027-715-000	1
8	Seal Hopper	027-005-000	2
9	Bot 1/2" 18x5 1/2 Round Head Sq. Neck	027-006-000	2
10	Bot 1/2" 18x5 1/2 Round Head Sq. Neck	027-716-000	1
11	Rear Housing	027-479-000	1
12	Main Broom Adjustment Knob	039-075-014	2
13	Flat Washer, 3/8"	027-480-000	1
14	Setcrew Collar	027-007-000	2
15	Screw, #10x1" Slotted Hex Head	027-008-000	15
16	Screw, #10x1/2" PH. Pan Head	027-501-000	2
17	Floor Seal, Rear	027-498-000	1
18	Rear Seal Support Rod	027-500-000	1
19	Axle	027-503-000	1
20	Pinot Hub		
21	Wheel and Bearing Assembly (includes 1 wheel & 2 bearings)		
22	Wheel and Clutch Assembly		
23	Retaining Ring	027-505-000	2
24	Hopper Handle	027-506-000	1
25	Hopper	027-510-000	1
26	Floor Blade	027-511-000	1
27	Floor Blade Retainer	027-512-000	4
28	Bearing - Wheel	069-777-163	As req.
29	Flat Washer 1/2"	027-513-000	1
30	E-Ring, External	027-514-000	1
31	Brush Shaft Assembly	027-515-000	2
32	Main Broom Half	027-516-000	1
33	Bearing	027-517-000	1
34	O-Ring		
35	Screw, #10x3/4" PH. Pan Head	027-009-000	6
36	Serrated Hex Flange Nut 5/16	027-518-000	4
37	Floor Seal - Sides	027-519-000	2
38	Main Frame	027-520-000	1
39	Castor Socket	027-521-000	1
40	Castor Support	027-522-000	1
41	Castor	027-571-000	1
42	Screw, 1/4-1 1/2 Hex Head Type AB	027-010-000	6
43	Bot 1/2" 18x5 1/2 Round Head Sq. Neck	027-011-000	2
44	Sidearm Mounting Bracket - Inner	027-575-000	1
45	Sidearm Mounting Bracket - Outer	027-576-000	1
46	Lockwasher 1/2"	069-760-085	2
47	Screw #10x3/4" PH. Pan Head Type AB	200-452-107	5

ITEM NO.	DESCRIPTION	PART NO.	QTY.
1	Harpin	027-593-000	2
2	Hex Nut 1/4-20	027-594-000	2
3	Clevis Pin	059-650-595	2
4	Stop Adjustment Knob	027-595-000	1
5	Bot 1/2" 18x5 1/2 Round Head		
6	Sq. Neck	027-012-000	1
7	Threaded Insert 3/8"	027-596-000	1
8	Stop Adjustment Foot	027-597-000	1
9	Sidebroom Arm	027-598-000	1
10	Sidebroom Shaft	027-599-000	1
11	O-Ring	027-517-000	2
12	Bearing	027-516-000	2
13	Sidebroom Cover	027-604-000	1
14	Lock Washer 3/8"	200-351-020	1
15	Hex Nut, 3/8-16	039-706-076	1
16	Sidebroom Bumper	027-606-000	1
17	Sidebroom	027-616-000	1
18	Flat Washer 1/4"	602-139-000	3
19	Lock Washer 1/4"	069-760-085	3
20	Screw, 1/4x1" Slotted Pan Head		
21	Sidearm Bracket	027-617-000	2
22	Bot 1/2" 20x3" Round Head		
23	Sq. Neck	027-640-000	4
24	Belt Guide	027-662-000	2
25	Spacer	027-010-000	2
26	Belt, 1/2x1 1/2 Hex Head Type AB	027-673-000	1
27	Lockwasher 1/2"	069-760-085	2
28	Sidebroom Cover Assy.	027-002-000	1

Side Broom Parts List

