



645 E. 7th ST., ST. PAUL, MINN. 55106  
TELEPHONE (612) 771-5581  
TELEX NO. 29-7403

FORM 129-8791M  
PARTS BREAKDOWN  
EFFECTIVE DECEMBER 15, 1977  
(See Form No. 200 For Prices)  
E.E.O. EMPLOYER M/F

## SPEEDRY ASSEMBLY INSTRUCTIONS

1. Remove four nuts securing handle.
2. Reverse handle; tighten four nuts to secure.
3. Tip machine back to rest on two large wheels and the handle.
4. Snap on Squeegee Head.
5. Clearance of front rubber blade of 1/8" should be checked with 1/8" gage provided. If clearance is not 1/8" for the full length of the blade lock nuts and acorn nuts on casters should be loosened and casters adjusted up or down to arrive at the desired 1/8" clearance. After final adjustment secure the casters in position by rotating the lock nuts on the caster shafts upward until they are tight to the mounting ears, then tighten the acorn nuts on top.
6. Insert Mast (straight rod) into socket provided in the Motor Cover.
7. Insert second rod into hole of first rod.
8. Insert Mast Arm (right angle rod) over second rod.
9. See the attached suggested method of securing electrical cord to Mast Arm.

BE SURE DUMP VALVE AT BOTTOM IS CLOSED DURING OPERATION!

**WARNING**  
TO AVOID ELECTRIC  
SHOCK DO NOT  
EXPOSE TO RAIN —  
STORE INDOORS

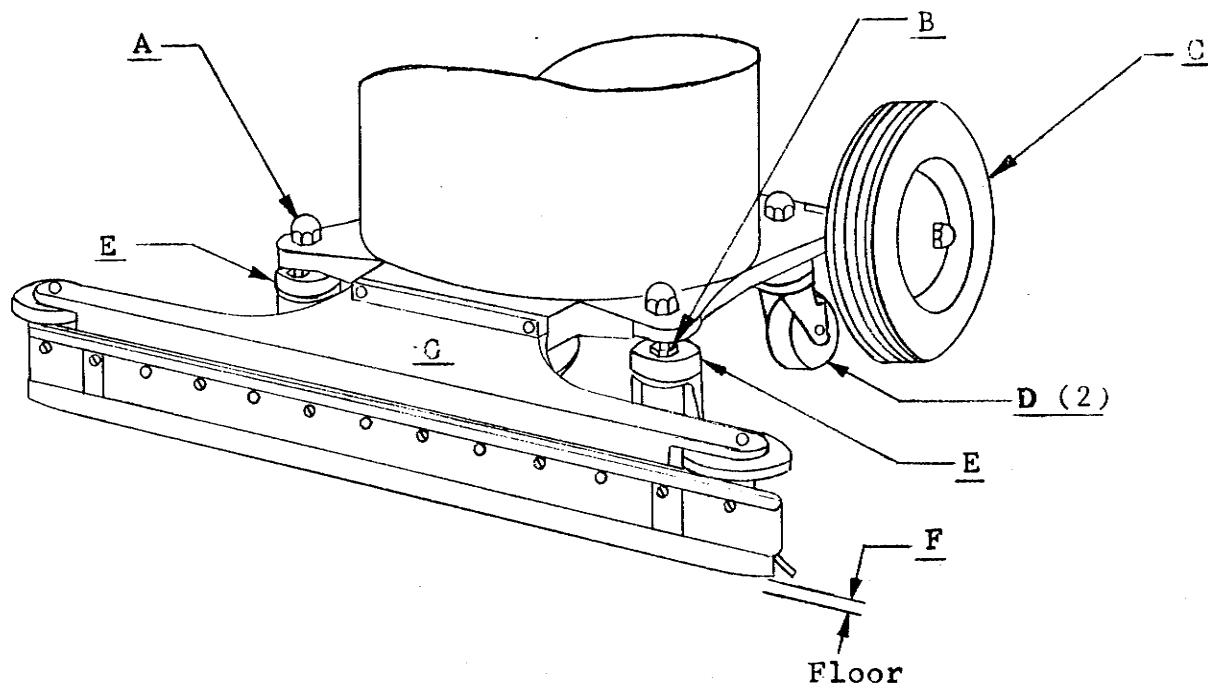
### WARNING FOR YOUR SAFETY

Always check outlets for proper voltage and three prong grounding before plugging in machine. Do not use a 3 wire to 2 wire prong adaptor or break off third post on power cord, it is the ground wire. Failure to comply with the above could cause severe electrical shock. Motor emits electrical sparks and is not recommended for use in hazardous locations.

YOUR SPEEDRY IS NOW READY FOR OPERATION:  
JUST PLUG IT IN, TURN IT ON,  
AND AS FAST AS YOU GO, WATER IS GONE!

# SPEEDRY SERVICE BULLETIN

The following 8 steps will explain what adjustments are necessary, if the 24 inch Squeegee Blades are replaced, or if the machine becomes out of adjustment.



## STEP 1

Place unit on table or level floor.

## STEP 2

Loosen all (4) nuts. Figure A.

## STEP 3

Loosen all (4) lock-nuts, Figure B (under casting) with Squeegee setting gauge wrench (VM 77).

## STEP 4

Adjust back casters, Figure D, up until Squeegee setting gauge VM 77 slides under wheels, see Figure C, this setting will place wheels 1/8" off floor.

## STEP 5

Snap on Squeegee head, as shown above and apply pressure in the center of the 24" pick-up head at Figure G. Adjust front casters, Figure E, until Squeegee Blade is 1/8" off the floor, Figure F. (For this Adjustment, use Squeegee setting gauge, VM 77).

## STEP 6

Place your hand again at Figure G, press down. Swivel all (4) casters to see that the pressure is even (Figure D and E). If one is loose, turn that caster down to match the others.

## STEP 7

Tighten all (4) nuts, Figure A.

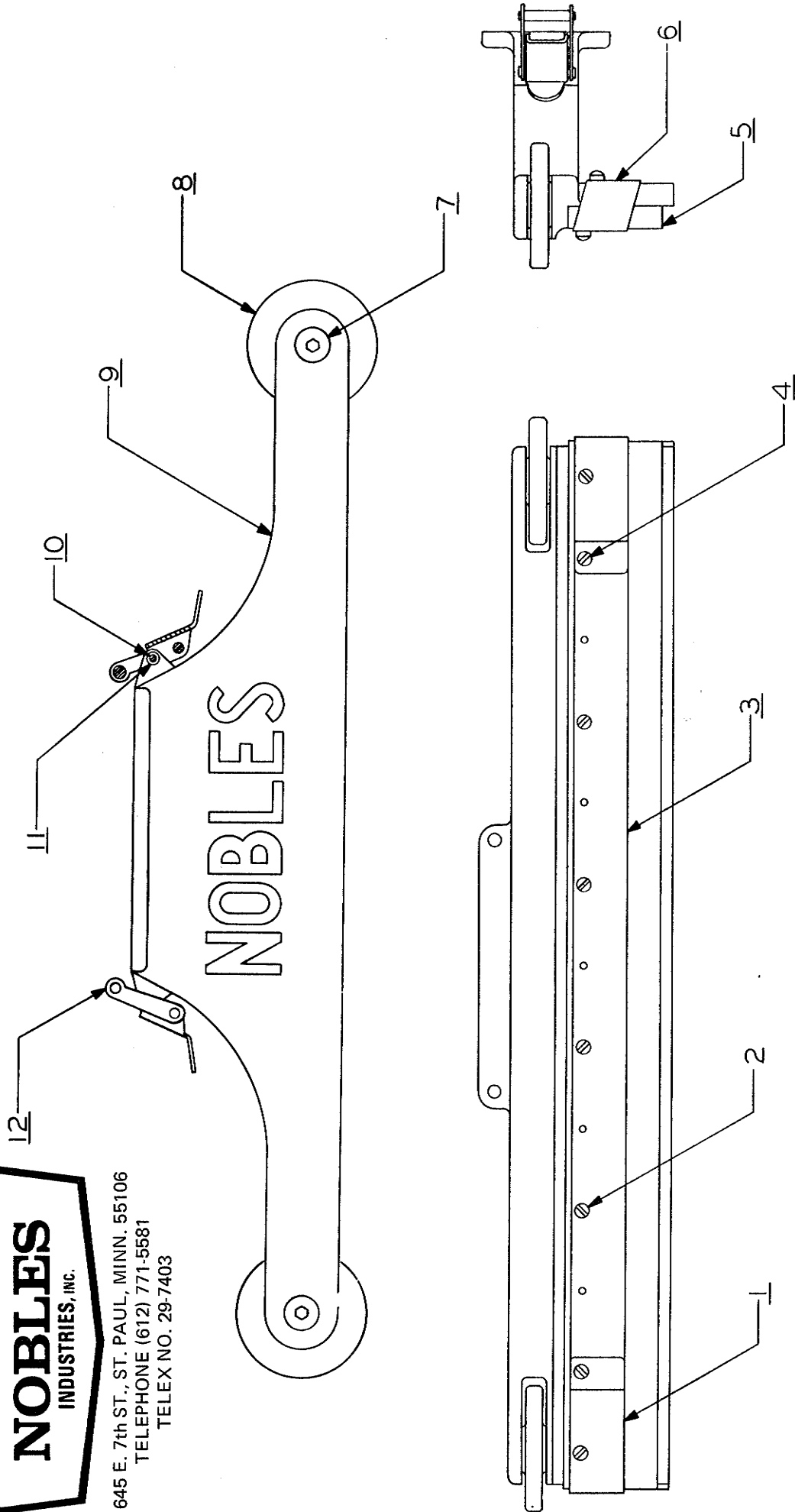
## STEP 8

Bring up all (4) lock-nuts, Figure B, and tighten securely.



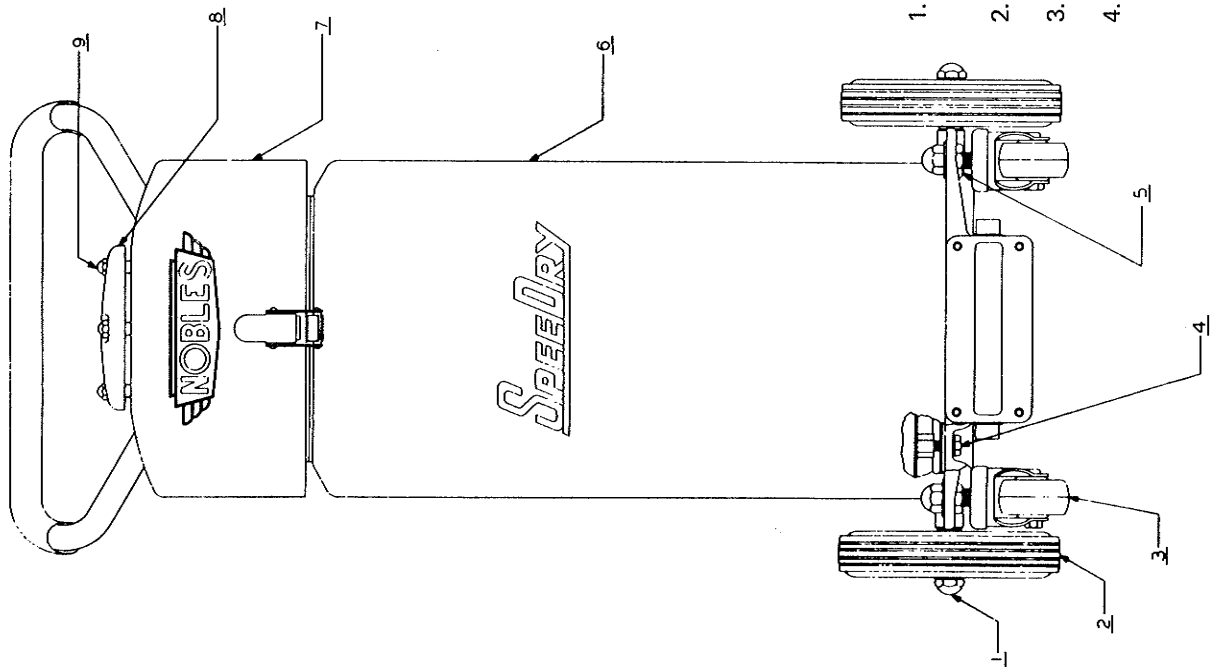
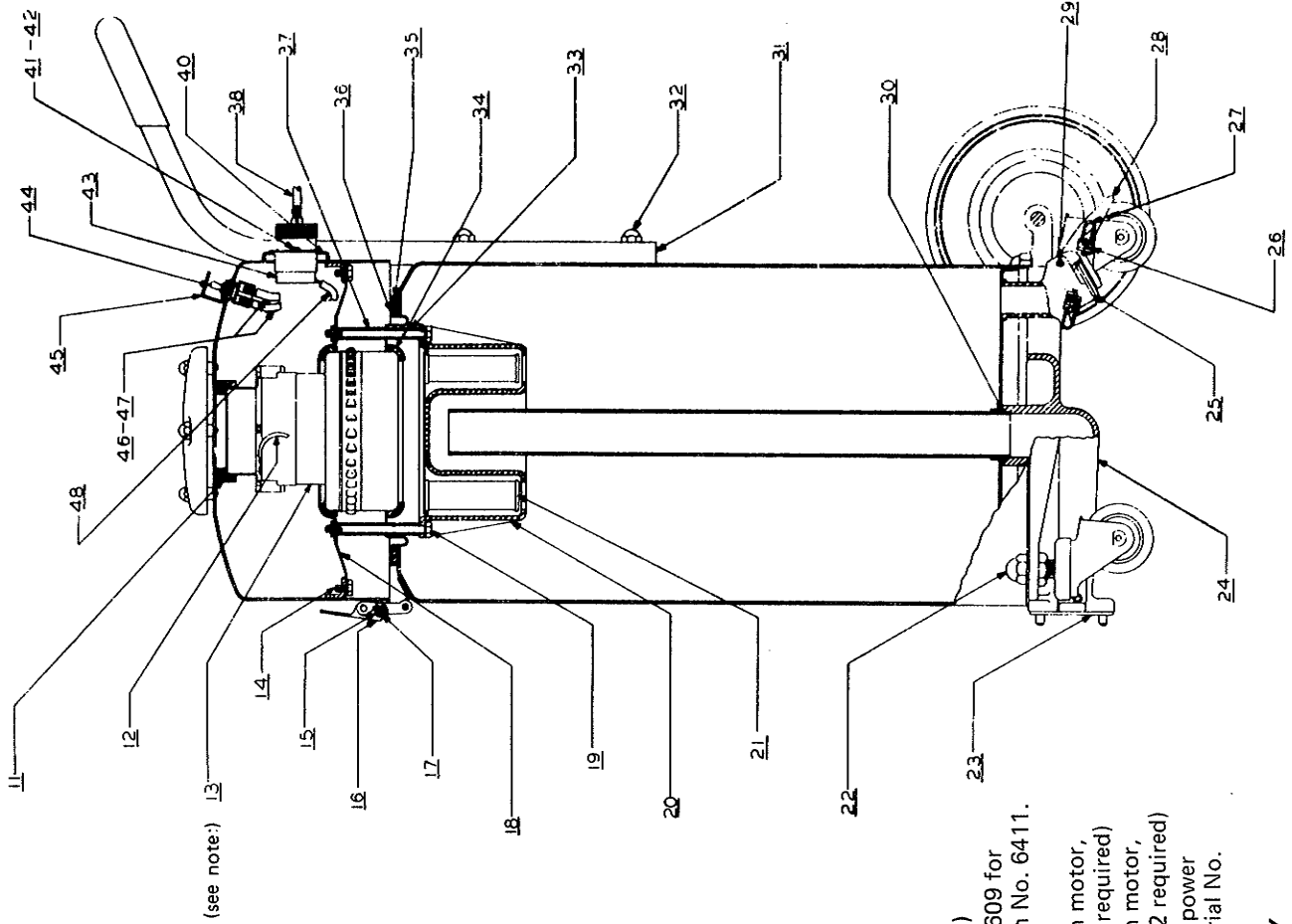
645 E. 7th ST., ST. PAUL, MINN. 55106  
 TELEPHONE (612) 771-5581  
 TELEX NO. 29-7403

NOBLES



SPEEDRY  
 24" PICK-UP HEAD  
 ASSEMBLY VM-00174-112

No.	Part Number	Description	Qty.	No.	Part Number	Description	Qty.
1	VM-00174-93-1	Retainer, Squeegee End Left Hand	1	7	1718K3152	Cap Screw 7/16-14 N.C.	2
2	1718K2789-6	Machine Screw 10-24 N.C.	12	8	1718K3154	Bumper Wheel	2
3	VM-00174-61	Retainer, Squeegee	2	9	VM-00174-37	Squeegee Casting	1
4	1718K2789-8	Machine Screw 10-24 N.C.	4	10	VM-00174-47	Latch Pin	2
5	VM-00174-34	Squeegee Blade, Rubber	2	11	VM-00174-13	Spacer	2
*5	VM-00174-88	Neoprene Squeegee Blade (Optional)	2	12	VM-00174-117	Assy., Latch	2
6	VM-00174-93-2	Retainer, Squeegee End Right Hand	1				



**NOTES**

(Revised January 6, 1978)

1. Order motor brush mechanism K5609 for Speedrys with Serial No. 1 through No. 6411. (2 required)
2. For Speedrys with 407 stamped on motor, order brush mechanism K5809. (2 required)
3. For Speedrys with 757 stamped on motor, order brush mechanism K20689. (2 required)
4. Order motor base plug K2727 and power cable YM-67 for Speedrys with Serial No. below 14499.

**GENERAL ASSEMBLY  
MODEL V-24B**

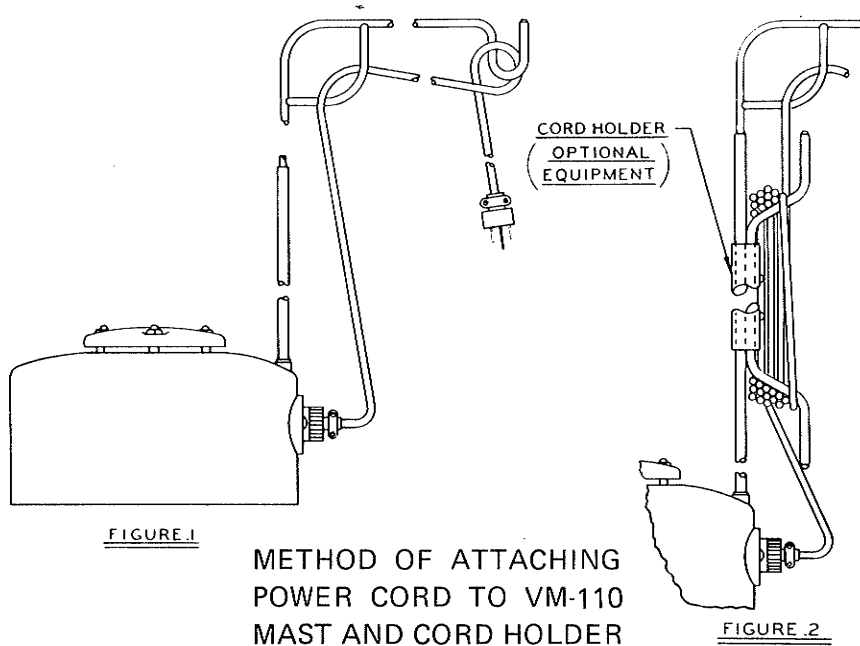
# NOBLES

INDUSTRIES, INC.

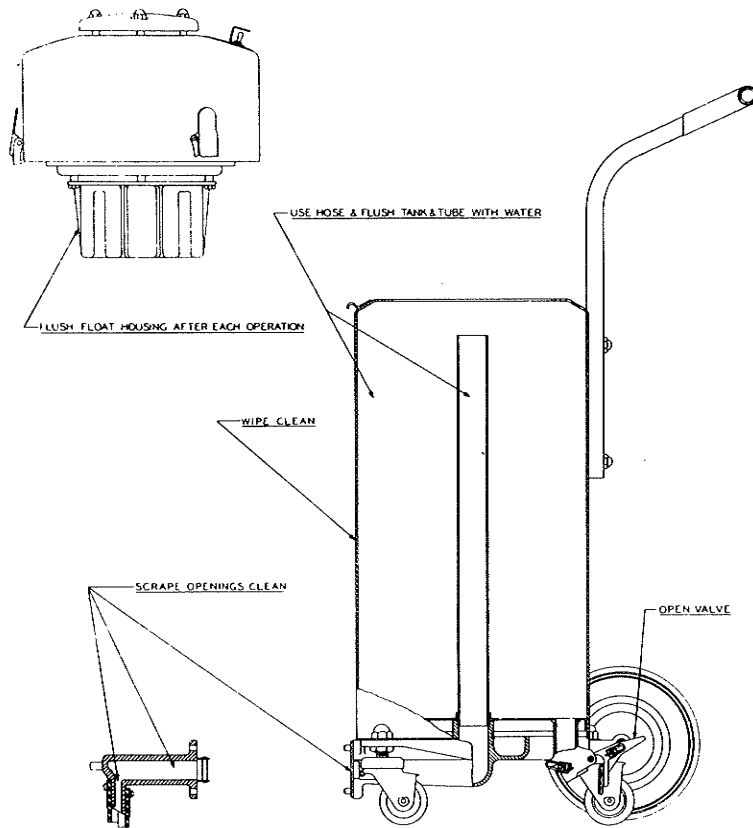
645 E. 7th ST., ST. PAUL, MINN. 55106  
 TELEPHONE (612) 771-5581  
 TELEX NO. 29-7403

## SPEEDRY GENERAL ASSEMBLY MODEL V-24B

No.	Part Number	No. Req.	Description
1	K3058	2	Cap Nut
2	K3143	2	Wheel 8"
3	K3144	4	Swivel Caster 2 1/2"
4	K2949-10	4	Cap Screw
5	K3147	4	Hex Jam Nut
6	D3090	1	Assy. Tank - Includes tank shell, bottom & stand pipe, dump valve body
7	D3131	1	Assy. Cover - Includes #7, #8, #9, 11 thru 21, 33 thru 37, 40 thru 44, 46 thru 48
8	VM-1	1	Canopy
9	K5154	4	Cap Nut
10	K2710	2	Handle Grip - Not shown - for old style handle assy's
11	B5960	1	Air Seal
12	VM-65-5	1	Ground Wire 5" Long
13	K5952	1	Motor (Requires Parts B5960, VM-65-5 and VM-104)
14	K2998-4	4	Cap Screw
15	VM-13	3	Spacer
16	VM-116	3	Assy. Latch - Requires #15 & #17 to install
17	VM-47	3	Latch Pin
18	VM-9	1	Motor Support
19	K2998-28	4	Cap Screw
20	VM-100	1	Float Housing
21	VM-124	1	Float
22	K3146	4	Hex Cap Nut
23	B2747	1	Gasket
24	C3124	1	Assy. Frame - Includes axle
25	A3141	1	Valve Seal
26	VM-42	2	Valve Spring
27	VM-41	4	Spring Wire
28	B3142	1	Assy. Valve - Includes #25 & requires #29 to install
29	K3182	1	Flat Head Rivet
30	K3157	1	"O" Ring
31	VM-39	1	Handle
32	K5022	4	Cap Nut
33	VM-104	4	Spacer
34	VM-10	1	Motor Seat
35	VM-16	1	Cover Gasket
36	VM-11	1	Motor Clamp Ring
37	VM-82	4	Motor Spacer
38	B18506	1	Power Cable - 100 Ft. (Standard Equipment) Female plug for old cord K5061
40	VM-64	1	Spacer, Socket
41	K3069	2	Machine Screw Nut
42	K2728-12	2	Machine Screw
43	K18504	1	Motor Base Plug (Old Plug for units/Serial # 14498 and below K2727.)
44	K2636	1	Toggle Switch
45	VM-115	1	Switch Guard
46	VM-66	1	Switch Wire, Black
47	VM-72	1	Switch Wire, White
48	VM-65-10	1	Ground Wire 10" Long
	VM-77	1	Squeegee Setting Gage - Not Shown



METHOD OF ATTACHING  
POWER CORD TO VM-110  
MAST AND CORD HOLDER



CLEANING SPEEDRY