



645 7th ST., ST. PAUL, MINN. 55106
 (612) 771-5581
 TELEX NO. 29-7403

FORM 346-860 5C
 EFFECTIVE AUGUST 1, 1980

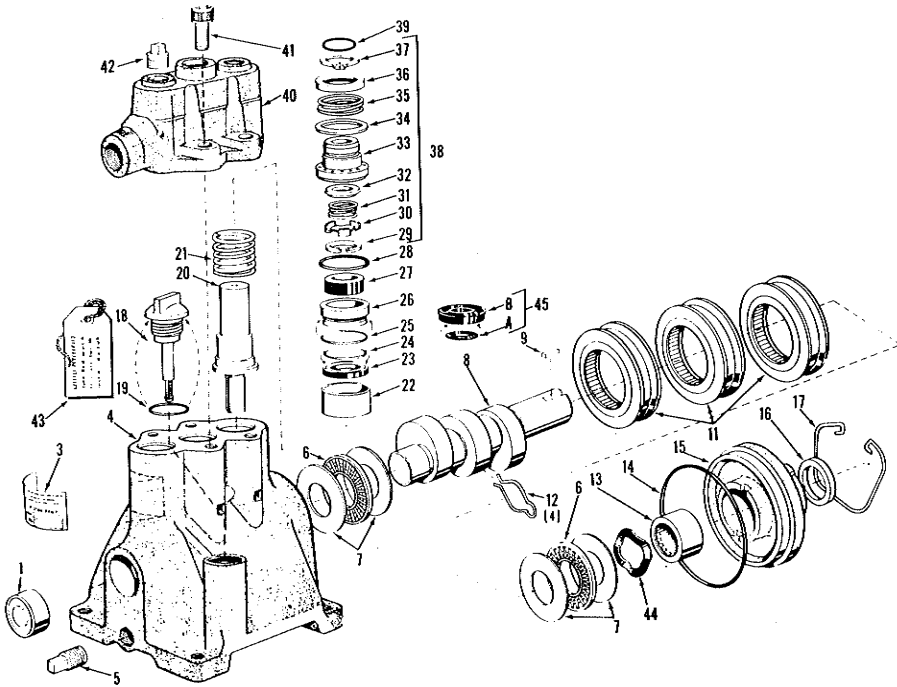
HYPRO BREAKDOWN
Models B5041A, B5041AC
(1000 PSI)

Repair Kit No. K18414 (Old Pump B5041A) for 140° F. Pumps

Consists of three each of K18475 cup, K18470 o-ring for cup, K18471 o-ring for guide retainer, K18459 guide for piston, K18472 o-ring for discharge valve seat, K18474 o-ring for inlet valve seat.

Repair Kit No. K21066 for 180° F. Pumps Model B5041AC

Consists of three each of K21065 cup, K21064 Teflon seal ring for cup, K18471 o-ring for guide retainer, K18459 guide for piston, K18472 o-ring for discharge valve seat, K18474 o-ring for inlet valve seat.



TO ORDER PARTS: Give part number and description. Also, give complete model number. Reference numbers (first column) are used only to identify parts in drawing; do not use as order numbers.

Ref. No.	No. Req'd	Part Number	Part Name	Ref. No.	No. Req'd	Part Number	Part Name
1	1	K18427	MAIN BEARING - CLOSED	28	3	K18472	O - RING (LOWER) FOR DISCHARGE VALVE SEAT
3	1	K18638	NAMEPLATE DECAL	29	3	K18473	VALVE RETAINER RING - INLET
4	1	K18639	BODY CRANKCASE (INCLUDES PARTS 18 AND 19)	30	3	K18461	VALVE SPRING RETAINER - INLET
5	1	K18430	DRAIN PLUG	31	3	K18462	VALVE SPRING - INLET
6	2	K18359	THRUST BEARING	32	3	K18463	VALVE POPPET - INLET
7	4	K18360	THRUST BEARING RACE	33	3	K18464	VALVE SEAT - DISCHARGE
8	1	K16994	CRANKSHAFT	34	3	K18465	VALVE POPPET - DISCHARGE
9	1	K18351	KEY	35	3	K18466	VALVE SPRING - DISCHARGE
11	3	K21061	CAM BEARING ASSEMBLY	36	3	K18467	VALVE SPRING RETAINER - DISCHARGE
12	4	K17029	REATINER RING	37	3	K18468	VALVE RETAINER RING - DISCHARGE
13	1	K18359	MAIN BEARING OPEN	38	3	K18469	UNITIZED VALVE ASSEMBLY (1 EACH PARTS #29-37
14	1	K17010	O-RING FOR BODY CRANKCASE	39	3	K18474	O-RING (UPPER) FOR INLET VALVE SEAT
15	1	K16993	CRANKCASE COVER	40	1	K18460	CYLINDER HEAD
16	1	K17802	SEAL	41	4	K18475	SOCKET HEAD CAPSCREW
17	1	K18354	RETAINER PLUG	42	2	K18476	PLUG
18	1	K18640	OIL FILL CAP AND LEVEL GAUGE	43	1	K18477	INSTRUCTION TAG
19	1	K15607	O-RING FOR LEVEL GAUGE	44	1	K21062	WAVE WASHER
20	3	K17003	PISTON ASSEMBLY	45	3	K21063	PISTON CUP ASSEMBLY (REPLACES K18457 U-CUP AND K18470 O-RING IN HIGH TEMPERTURE MODEL PUMPS)
21	3	K16995	PISTON SPRING	45A	3	K21064	PISTON CUP SEAL RING (HIGH TEMPERATURE PUMPS ONLY)
22	3	K18456	CUP RETAINER	45B	3	K21065	PISTON CUP (TEMPERATURE HIGH ONLY)
23	3	K18457	"U" CUP (OLD PUMP)				
24	3	K18470	O-RING FOR "U" CUP (OLD PUMP)				
25	3	K18471	O-RING FOR GUIDE RETAINER				
26	3	K18458	GUDIE RETAINER				
27	3	K18459	GUIDE FOR PISTON				