



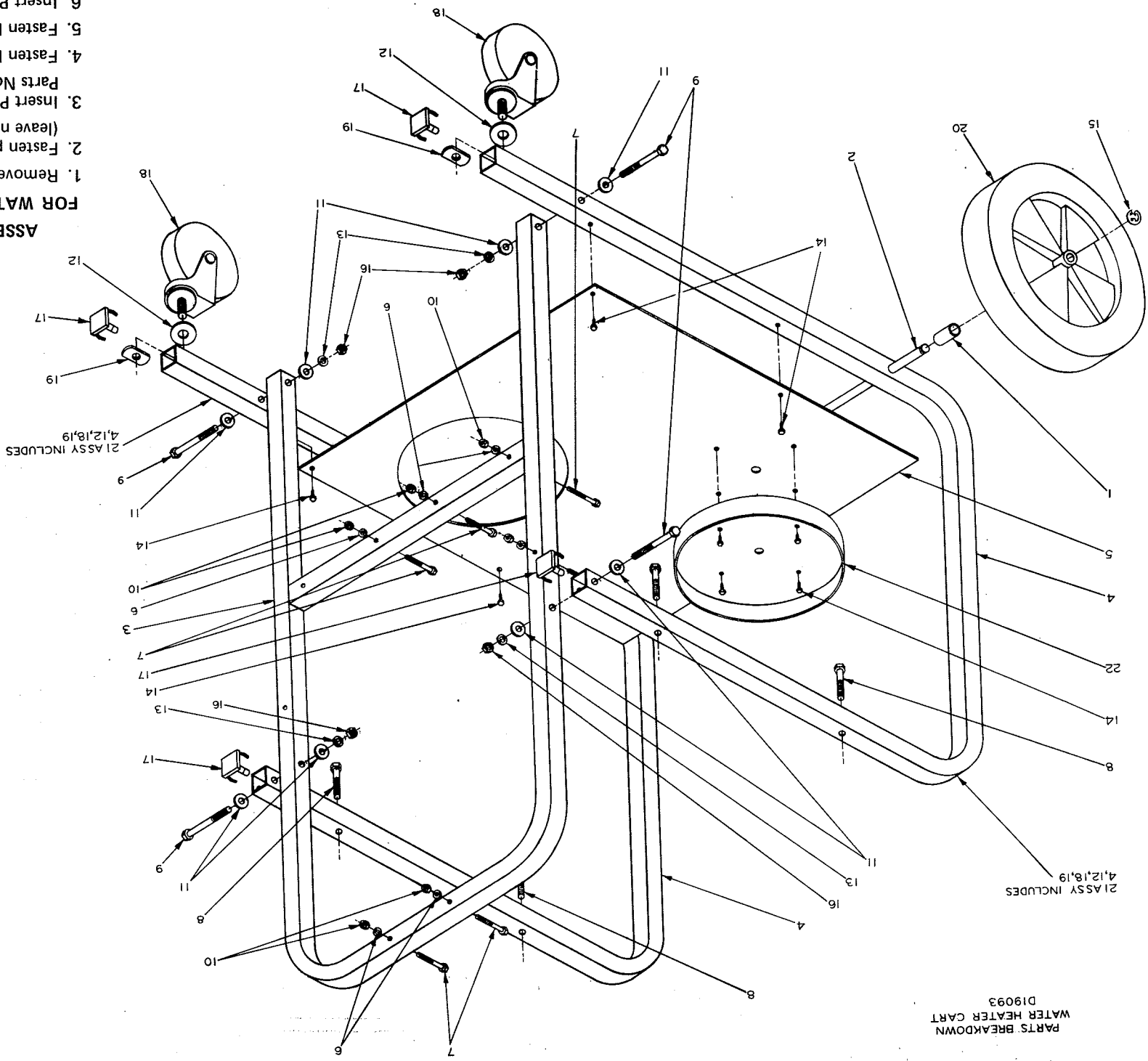
645 E. 7th ST., ST. PAUL, MINN. 55106  
TELEPHONE (612) 771-5581  
TELEX NO. 29-7403

FORM 288-12761  
PARTS BREAKDOWN  
EFFECTIVE DECEMBER 15, 1976  
E.E.O. EMPLOYER M/F

**PARTS BREAKDOWN  
WATER HEATER CART  
ASSEMBLY NO. D19093**

<u>No.</u>	<u>Part No.</u>	<u>Qty.</u>	<u>Description</u>	<u>No.</u>	<u>Part No.</u>	<u>Qty.</u>	<u>Description</u>
1.	A14949	2	Spacer, Wheel	12.	K14880-9	2	Washer, Flat
2.	A14971	1	Axle	13.	K14881-5	4	Lockwasher
3.	D19092	1	Assy — Brace & Handle	14.	K14917-8	8	Screw, Thread Cutting
4.	D19088	2	Frame, Cart	15.	K15996	2	E-Ring
5.	C19090	1	Plate, Base	16.	K15741	4	Nut, Hex
6.	K2964-14	6	Lockwasher	17.	K15982	4	Button, Plug
7.	K2998-12	6	Screw, Hex Hd. Cap	18.	K15988	2	Caster
8.	K3036-24	4	Screw, Hex Hd. Cap	19.	K16140	2	Nut, Weld-On
9.	K3036-40	4	Screw, Hex Hd. Cap	20.	K17897	2	Wheel
10.	K14501	6	Nut, Hex	21.	C19221	2	Assy — Frame & Caster (Includes 4, 12, 18 & 19)
11.	K14880-5	8	Washer, Flat	22.	C19733	1	Holder, Tank

**PARTS BREAKDOWN  
WATER HEATER CART  
D19093**



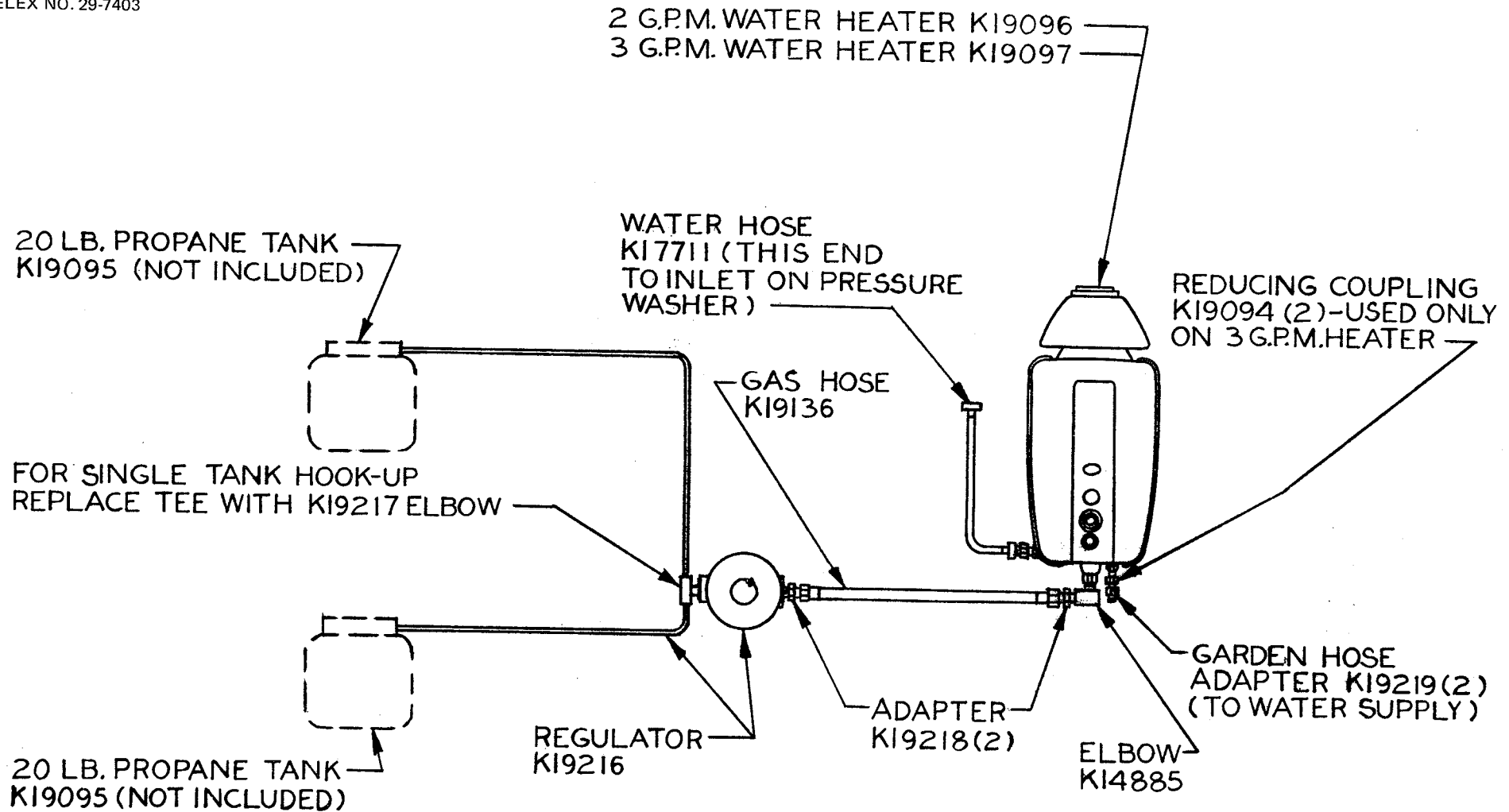
**ASSEMBLY INSTRUCTIONS  
FOR WATER HEATER CART-D19093**

1. Remove parts from shipping carton.
2. Fasten parts No. 21 to part No. 3 (leave nuts No. 16 loose)
3. Insert Part No. 2, then Parts No. 1, Parts No. 20 and clip on Parts No. 15.
4. Fasten Part No. 5 to Parts No. 21.
5. Fasten Part No. 22 to Part No. 5.
6. Insert Parts No. 17.
7. Tighten down all fasteners.



645 E. 7th ST., ST. PAUL, MINN. 55106  
TELEPHONE (612) 771-5581  
TELEX NO. 29-7403

FORM F-289-12761  
E.E.O. EMPLOYER M/F



WATER HEATER ASSEMBLY  
2 G.P.M.-DI9133, 3G.P.M.-DI9129

