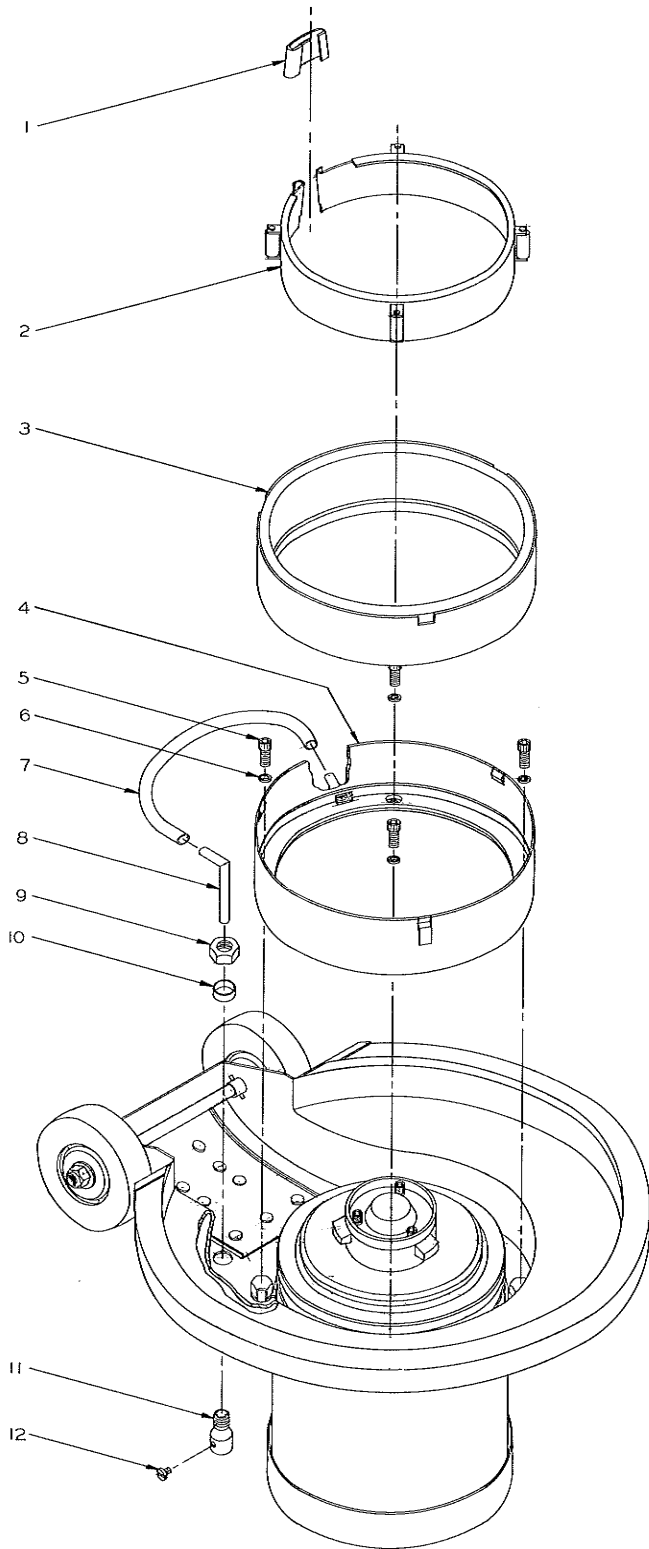




645 E. 7th ST., ST. PAUL, MINN. 55106  
 TELEPHONE (612) 771-5581  
 TELEX NO. 29-7403

FORM 165-6751  
 PARTS BREAKDOWN  
 EFFECTIVE DECEMBER 8, 1975  
 (Supercedes All Other Lists)  
 E. E. O. EMPLOYER M/F

### ROTO-FOAMER ASSEMBLY - C14145



NO.	PART NAME	QTY.	PART NO.	PRICE
1	Retaining Clip (Marked "N" - For Motors beginning with No. 53Mp)	1	A14115	PRICES ON REQUEST
	Retaining Clip (Marked "S" - For Motors beginning with No. 53L20)	1	A14121	
2	Rotating Ring & Rollers	1	C14117	
3	Foam & Ring	1	C14113	
4	Stationary Ring	1	C14110	
5	Soc. Hd. Cap Screw	4	K14144-10	
6	Lock Washer	4	K2964-14	
7	Vinyl Tubing	1	K5384-9	
8	Copper Tubing	1	A14122	
9	Jam Nut	1	K14143	
10	Spacer	1	A14167	
11	Tube Holder	1	A14118	
12	Pan Hd. Machine Screw	1	K4770-4	
13	Allen Wrench	1	K14337	

#### ROTO-FOAMER MOUNTING INSTRUCTIONS

1. Unpack Roto-Foamer Ass'y. Inspect for freight damage. If damaged, file claim with freight carrier.
2. Turn Speedshine upside down on its motor. Unit should be placed on an elevated object.
3. Remove hole plug - insert tube holder (11) - drop spacer (10) over tube holder (11) - securely tighten jam nut (9) onto tube holder (11) - drop in copper tubing (8) - end to be pointing toward back of machine - tighten screw (12).
4. Remove four hex hd. bolts and four lockwashers - insert stationary ring (4) with inlet tube in position shown - secure with four lockwashers (6) and four soc. hd. cap screws (5).
5. Push vinyl tube onto copper tubing (8) and inlet tube.
6. Snap in foam ring (3).
7. Insert rotating ring (2) - for motors beginning with No. 53MP, Lip will stop against bottom of gear box - for motors beginning with No. 53L20, edge will stop against ledge on side of gear box.
8. Insert retaining clip (1) with slot up towards bottom of machine as shown, tap down until approx. flush with Lip of rotating ring (2) - NOTE: Use clip marked "N" for motors beginning with No. 53MP, Use clip marked "S" for motors beginning with No. 53L20.

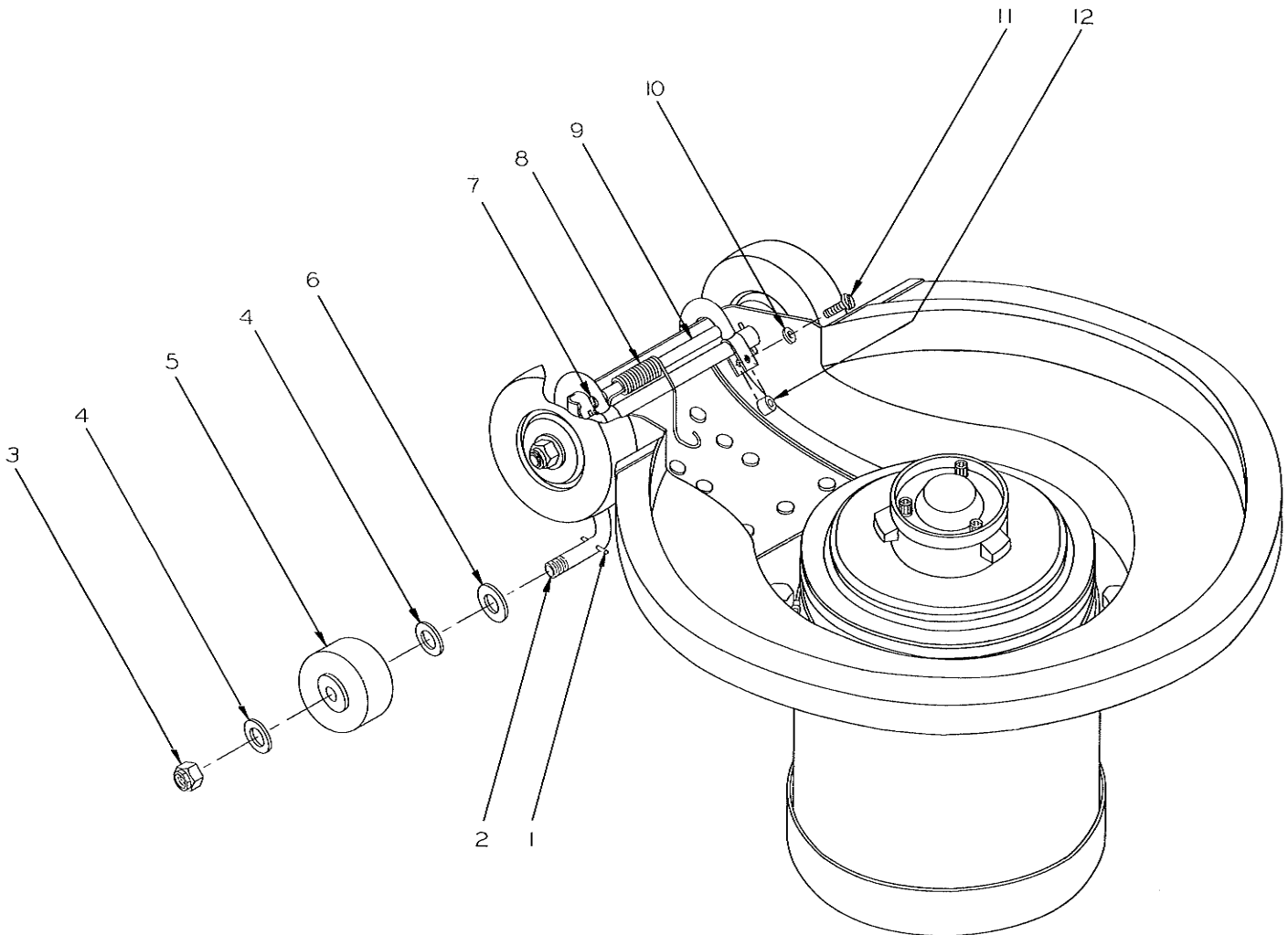
## ROTO-FOAMER KICK-UP WHEELS ASSEMBLY C14351 MOUNTING INSTRUCTIONS

### KICK-UP WHEELS MOUNTING INSTRUCTIONS

1. Unpack Kick-up Wheel Ass'y. Inspect for freight damage. If damaged, file claim with freight carrier.
2. Turn Speedshine upside down on its motor. Unit should be placed on an elevated object.
3. Insert weldment (2) onto existing axle-lifting spring (8) — loop over axle as shown.
4. Insert spacers (12) between "U" shaped parts and secure with lockwashers (10) and screws (11).
5. Mount wheels as shown.

### PARTS BREAKDOWN

NO.	PART NAME	QTY.	PART NO.	PRICE
1	Roll Pin	2	K5115	PRICES ON REQUEST
2	Weldment	1	C14349	
3	Flex Lock Nut	2	K5237	
4	Compression Washer	4	K5236	
5	Wheel	2	A14354	
6	Flat Washer	2	K6306-6	
7	Flat HD. Screw	2	K14355-12	
8	Spring	1	A14344	
9	Spring Holder	1	A14343	
10	Lock Washer	2	K2964-10	
11	Pan HD Screw	2	K4770-12	
12	Spacer	2	A14342	



**NOTE:** Will fit any Nobles Speedshine.