

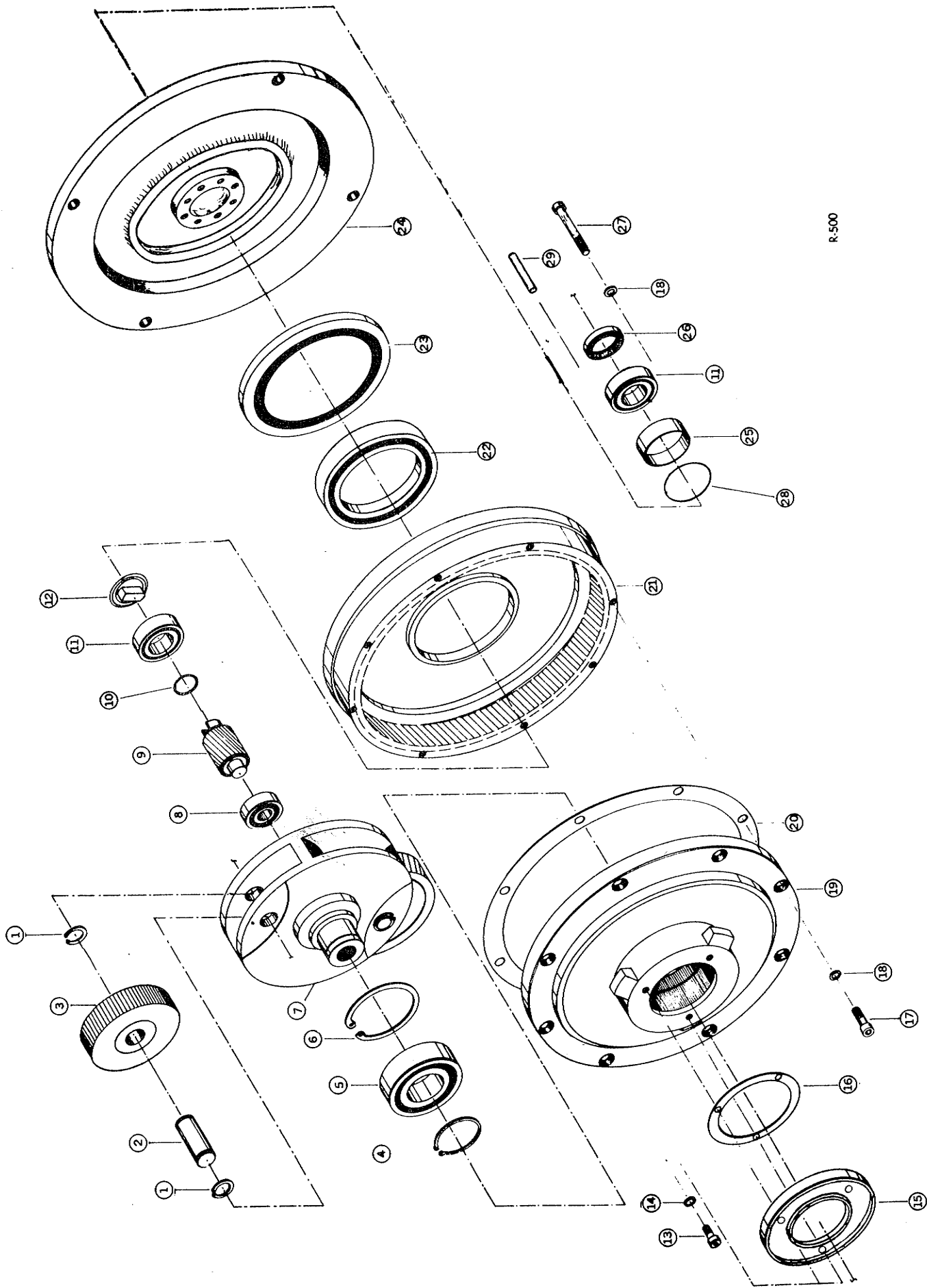


645 E. 7th ST., ST. PAUL, MINN. 55106
 TELEPHONE (612) 771-5581
 TELEX NO. 29-7403

FORM 269-2791
 PARTS BREAKDOWN
 EFFECTIVE MAY 1, 1981
 (See Form No. 200 for prices)
 E.E.O. EMPLOYER M/F

**11.54 to 1 Gear Ratio
 3 IDLER PLANETARY GEAR ASSY.
 used on 1 1/2 H.P.-3 Star with Motor No. G95F3-D3VM-GCF6-L2**

No.	To Order Use Part No.	Qty.	Description
1	K12749	6	Snap Ring
2	K12750	2	Idler Pin
3	K12751	3	Idler Gear with Bushing
4	K12752	1	Snap Ring
5	K12753	1	Ball Bearing
6	K12754	1	Snap Ring
7	K21029	1	Carrier
8	K12757	1	Ball Bearing
9	K21022	1	Pinion
10	K13408	1	"O" Ring
11	K12759	2	Ball Bearing
12	K12760	1	Coupling
13	K12761	3	Cap Screw
14	K12762	3	Lockwasher
15	K21030	1	Cap
16	K12764	1	Retainer Gasket
17	K18578	8	Cap Screw
18	K18579	15	Lockwasher
19	K18573	1	Lower Housing
20	K12768	1	Housing Gasket
21	K21020	1	Upper Housing
22	K13405	1	Ball Bearing
23	K12771	1	Oil Seal
24	K21281	1	Back Plate
26	K21031	1	Oil Seal
27	K21032	7	Cap Screw
28	K21033	1	Roll Pin
30	K20965	1	Complete Gear Box
	K21034	1	Slinger



R.500



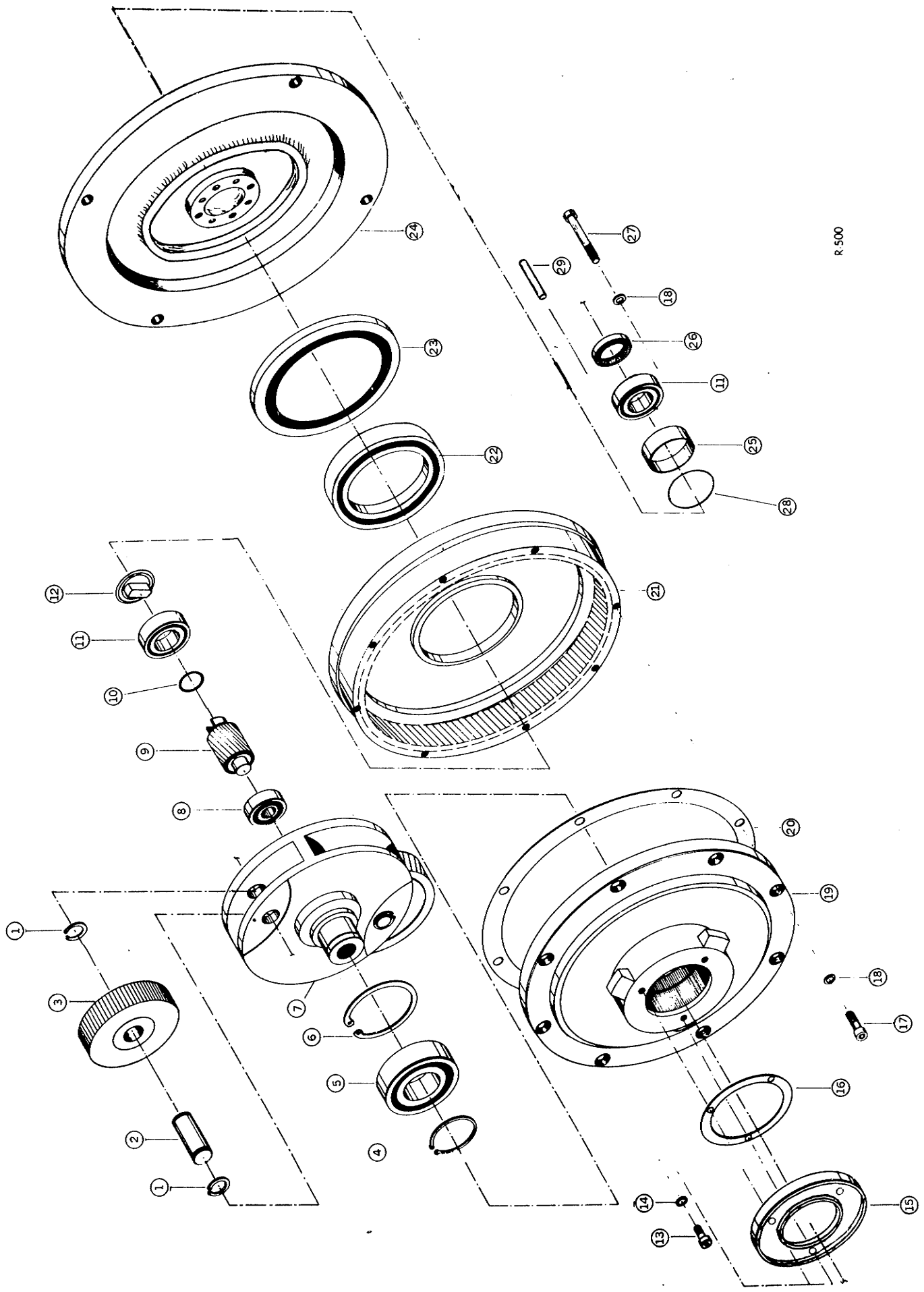
645 E. 7th ST., ST. PAUL, MINN. 55106
 TELEPHONE (612) 771-5581
 TELEX NO. 29-7403

FORM 163-2791
 PARTS BREAKDOWN
 EFFECTIVE FEBRUARY 1, 1979
 (See Form No. 200 for prices)
 E.E.O. EMPLOYER M/F

2 IDLER PLANETARY GEAR ASSY.
 used on 3/4 H.P. 3 Star with Motor No. G95E2-D3VM-DCFG-L-2
 1 H.P. 3 Star with Motor No. G95E2-D3VM-ECF6-C2

No.	To Order Use Part No.	Qty.	Description
1	K12749	4	Snap Ring
2	K12750	2	Idler Pin
3	K12751	2	Idler Gear With Bushing
4	K12752	1	Snap Ring
5	K12753	1	Ball Bearing
6	K12754	1	Snap Ring
7	K21021	1	Carrier
8	K12757	1	Ball Bearing
9	K21022	1	Pinion
10	K13408	1	"O" Ring
11	K12759	2	Ball Bearing
12	K12760	1	Coupling
13	K12761	3	Cap Screw
14	K12762	3	Lockwasher
15	K18577	1	Cap
16	K12764	1	Retainer Gasket
17	K18578	8	Cap Screw
18	K18579	15	Lockwasher
19	K18573	1	Lower Housing
20	K12768	1	Housing Gasket
21	K21020	1	Upper Housing
22	K13405	1	Ball Bearing
23	K12771	1	Oil Seal
24	K21019	1	Motor Plate
25	K12773	1	Spacer
26	K12776	1	Oil Seal
27	K13409	7	Cap Screw
28	K20966	1	Complete Gear Box
29	K18581	1	"O" Ring
30	K18580	1	Roll Pin
31	K21023	1	Pinion Slinger
	K21410	2	Bronze Bushing

R 500





645 E. 7th ST., ST. PAUL, MINN. 55106
 TELEPHONE (612) 771-5581
 TELEX NO. 29-7403

FORM 332-11791
 PARTS BREAKDOWN
 EFFECTIVE NOV. 14, 1979
 (See Form No. 200 for Prices)
 E.E.O. EMPLOYER M/F

3 IDLER PLANETARY GEAR ASSEMBLY
 Used on 1½ H.P. Vari-Speed Motor # K21222
 (10 to 1 Ratio)

<u>No.</u>	<u>To Order Use Part No.</u>	<u>Qty.</u>	<u>Description</u>
1	K22142	1	End Shield
2	K20008	1	Housing Cover
3	K20009	1	Drive Housing
4	K20010	1	3 Planet Cage
5	K20011	3	Shaft, Idler Gear
6	K20012	3	Gear, Idler
7	K20013	1	Pinion, Drive
8	K12760	1	Coupling
9	K20015	1	Plate, Retainer
10	K20016	1	Spacer
11	K20017	1	Bearing, Housing Cover
12	K20018	6	Bearing, Idler Gear Shaft
13	K20019	3	Bearing, Lower Drive Pinion
14	K20020	1	Bearing, Cage Lower
15	K20021	1	Gasket
16	K2539-32	6	Flat Hd. Mach. Screw
17	K13409	7	Socket Hd. Cap Screw
	K21237	1	Complete Gear Box

