

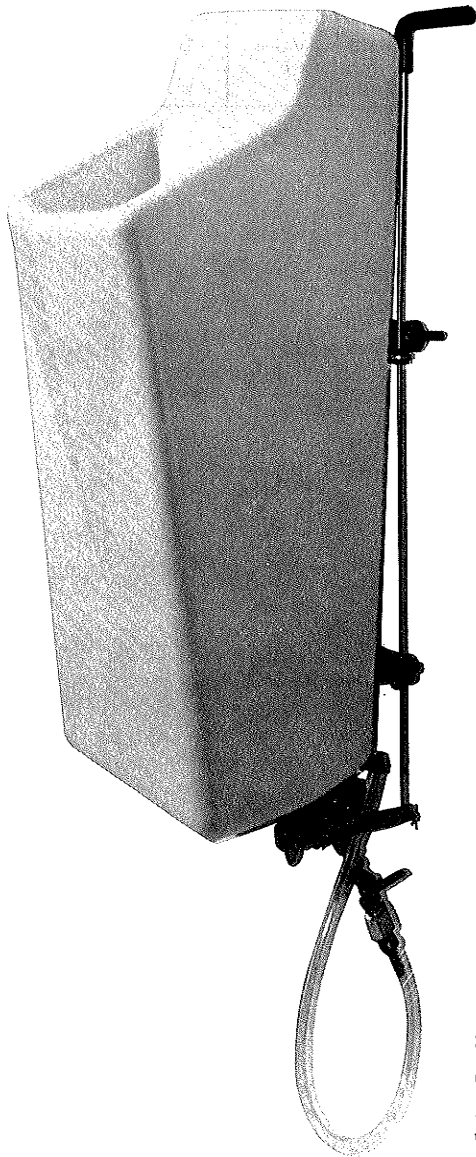


645 E. 7th ST., ST. PAUL, MINN. 55106
 TELEPHONE (612) 771-5581
 TELEX NO. 29-7403

FORM 168-4761.5
 PARTS BREAKDOWN
 EFFECTIVE APRIL 1, 1976
 E.E.O. EMPLOYER M/F

EASY FILL - EASY TO ATTACH

4 GALLON LINEAR POLYETHYLENE NO SPILL SOLUTION TANK



NOBLES NEW SOLUTION TANK WILL CONVERT ANY FLOOR MACHINE INTO A SCRUBBING MACHINE OR A CARPET SHAMPOOER IN JUST SECONDS.

Nobles New Solution Tank is of the latest design in material and construction. It is extremely rugged and can be quickly and easily installed on any single handle with a maximum diameter of 1-1/2" and on double tube handle with centerline tube spacing of 2-3/8" and a maximum tube diameter of 1-1/4".

NO SEAMS: Nobles New Solution Tank is of Linear Polyethylene Fabrication produced as an integral piece in a rotation molding process. This system of production combined with the material used leaves the inside of the tank smooth and without seams. This smooth surface eliminates areas that could create bacterial growth. It also is easy to clean and keep clean. There are no sharp edges — therefore eliminating the chance of marring of furniture, walls and other objects.

Since the polyethylene is translucent the solution level is visible at all times. Also, it will retain its new appearance with minimum care.

HIGH CHEMICAL RESISTANCE: Nobles 4 Gallon Polyethylene Solution Tank is not only rugged and durable but is also highly resistant to many chemical solutions. The composition and construction of this solution tank will withstand sub-temperatures as low as minus 25 degrees and high temperatures of 190 degrees.

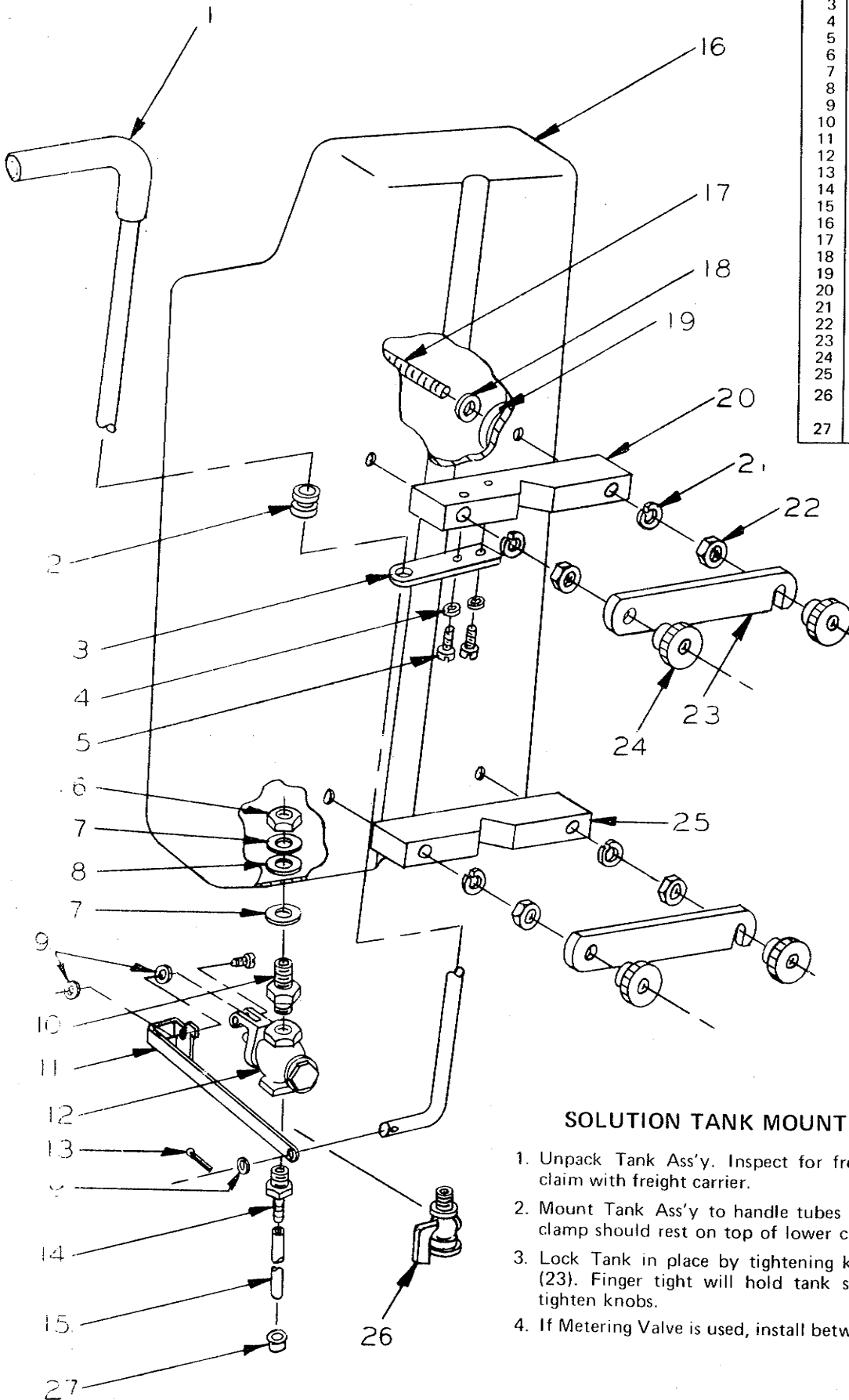
Uniform wall thickness assures maximum durability which means it can take a lot of abuse without cracking — chipping or breaking. Will not discolor.

SPECIFICATIONS:

Capacity Full:	4 Gallons
No Spill Capacity:	3 Gallons
Wall Thickness:	3/16"
Drain Valve:	Brass
Solution Flow Fittings:	Brass

SOLUTION TANK
Ass'y No. D14177

NO.	PART NAME	QTY.	PART NO.
1	Rod	1	B14212
2	Grommet	1	K14174
3	Rod Holder Bar	1	A14172
4	Lock Washer	2	K2964-10
5	Pan Hd. Screw	2	K4770-8
6	Jam Nut	1	K14182
7	Washer	2	A14193
8	Rubber Washer	1	A14194
9	Washer	3	K6306-3
10	Nipple	1	A14192
11	Valve Lever	1	A14190
12	Valve	1	K14189
13	Cotter Pin	1	K14183-8
14	Hose Fitting	1	K14185
15	Vinyl Tubing	1	K5384-20
16	Tank	1	D14173
17	Hex Hd. Bolt	4	A14186
18	Washer	4	K6306-5
19	Poly Washer	4	A14191
20	Spacer Block	1	B14170
21	Lock Washer	4	K14180-5
22	Jam Nut	4	K14181
23	Swing Clamp	2	B14168
24	Knob	4	A14187
25	Spacer Block	1	B14169
26	Metering Valve (optional)	1	A14338
27	Bushing	1	K5649



SOLUTION TANK MOUNTING INSTRUCTIONS

1. Unpack Tank Ass'y. Inspect for freight damage. If damaged, file claim with freight carrier.
2. Mount Tank Ass'y to handle tubes of Speedshine – bottom swing clamp should rest on top of lower cord hook.
3. Lock Tank in place by tightening knobs (24) against swing clamp (23). Finger tight will hold tank securely. – do not use tool to tighten knobs.
4. If Metering Valve is used, install between No. 12 and No. 14.