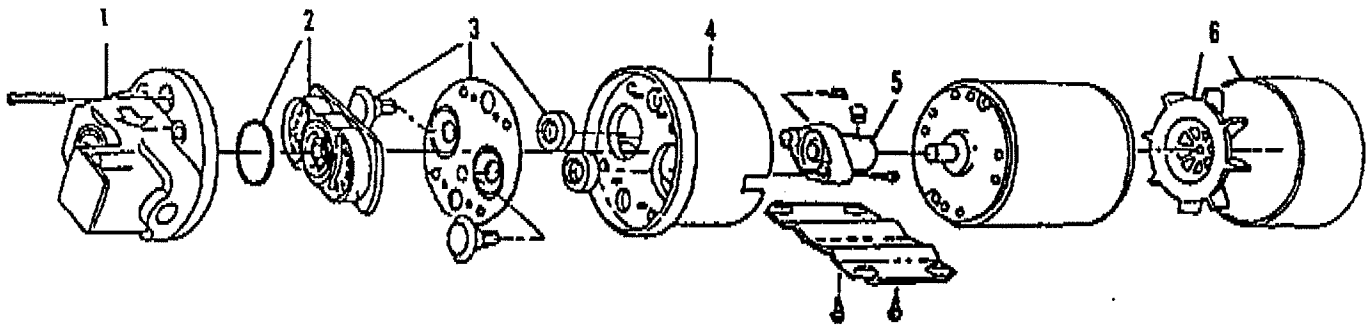
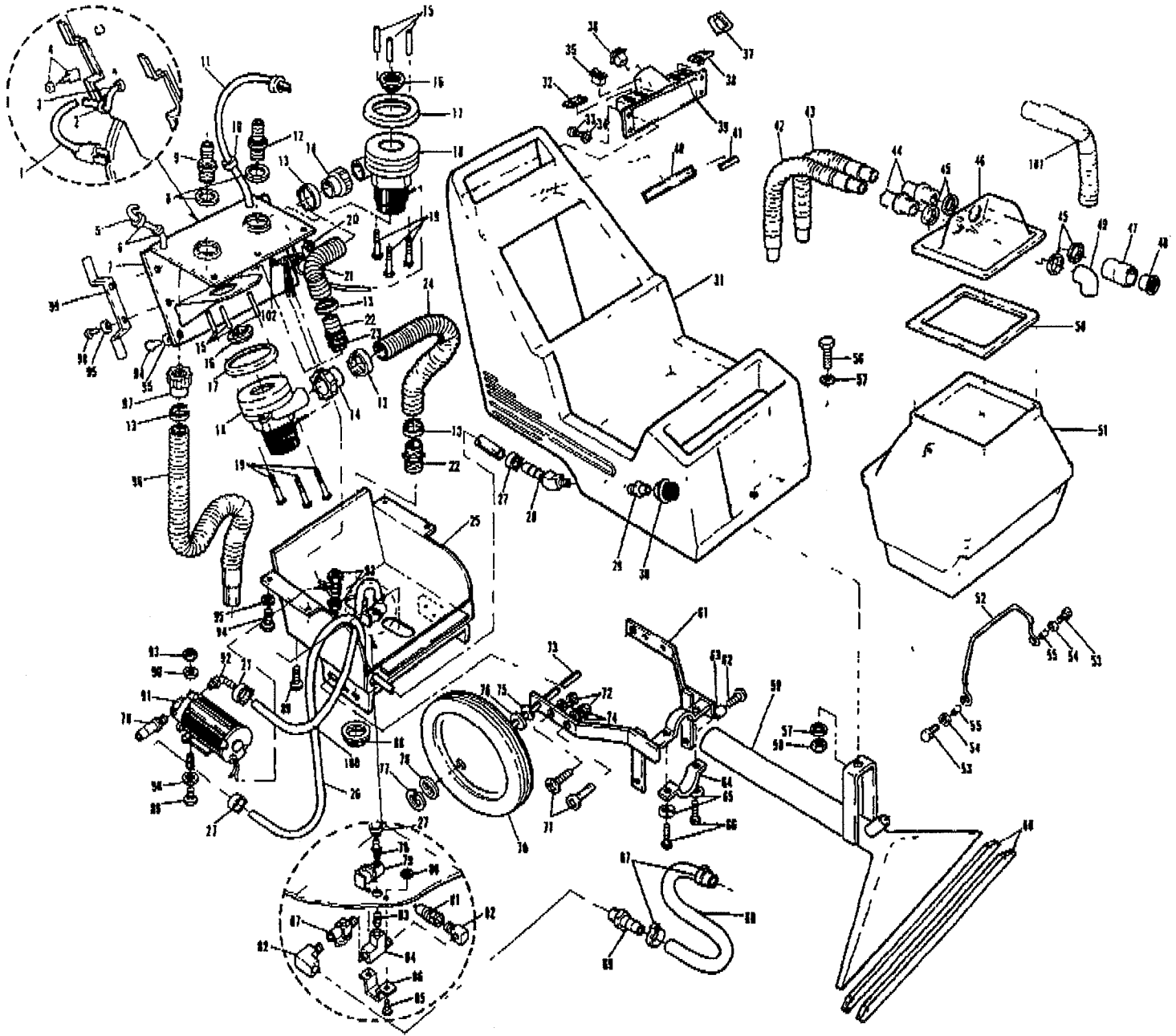


Ref #	Part Number	Qty	Description
1	602683	1	BRUSH BASE HOUSING DK. GRAY
2	140564	2	BOLT, SHOULDER 3/8 X 3/4 SOCK. HD.
3	230638.BK	1	BRACKET, HEIGHT ADJUSTMENT
4	230258	1	STUD, THREADED
5	240194	1	KNOB, HEIGHT ADJUSTMENT
6	140407	1	SPRING, PWR BRUSH .845 OD
7	140515	1	NUT, LOCK NYLON INSERT 3/8-16 S/S
8	140036	2	WASHER, FLAT 3/8 SAE - S/S
9	230264.BK	1	CLAMP, SPRAYBAR MANIF., BLACK
10	140233	1	SCREW, HEX HD. CAP 3/8-16 X 1 3/4
11	150422	1	ELBOW, STREET 45° 1/8 MPT X 1/8 FPT
12	150208	3	PLUG, BRASS HEX HEAD 1/8
13	150616	1	ADAPTER, BRASS 1/8 NPTM X 1/4 37°.
14	201000	5	NOZZLE, 1/8 V-JET BRASS #80015
15	230379	1	MANIFOLD, SPRAYBAR 20"
16	230635	1	BRACKET, BRUSH ASSY.
17	140898	2	SCREW, MACH 3/8-16 X 3/4 THP - S/S
18	140914	2	SPACER, NYLON .375 ID X .50 X .25
19	130165	1	CORD GRIP/LIQUID TIGHT 3/8 NPT
20	140548	1	NUT, FINISHED JAM 5/16 - S/S
21	230505	1	PULLEY, BRUSH W/SCREWS
22	230363	1	SPACER, .625 OD X .328 ID X .125
23	100005	1	GASKET, BEARING BLOCK
24	230261	2	BLOCK, BEARING
25	140125	2	BEARING, BRUSH
26	100049	2	SEAL, BRUSH BEARING
27	230362	1	SHAFT, BRUSH 20"
28	240050	1	BRUSH, CYLINDER
29	700094	1	BRUSH ASSEMBLY COMPLETE
30	230507	1	BELT, BRUSH DRIVE
31	230506	1	PULLEY, MOTOR W/SCREW
32	140518	2	NUT, KEP 10-32 S/S
33	230366	1	PLATE, MOTOR MOUNT
34	130471	1	MOTOR, BRUSH DRIVE 120 VOLT
	130472	1	MOTOR, BRUSH DRIVE 220 VOLT
35	100115	1	GASKET, 20" POWER BRUSH BASE
36	230367.BK	1	PLATE, BRUSH BASE 20" BLACK
37	140887	12	SCREW, MACHINE 10-24 X 3/8 PHP S/S
38	140554	4	SCREW, HEX HD. CAP 1/4-20 X 3/4 - S/S
39	140831	1	SCREW, MACH 6/32 X 5/8 RHP - S/S
40	130304	1	RECTIFIER
41	140539	1	NUT, KEP 6-32 - S/S
42	140539		NUT 6-32 KEP SS



Ref #	Part Number	Qty	Description
1	190406	1	UPPER HOUSING KIT (No screws included)
2	26744	1	FLOJET CHECK VALVE
3	190410	1	DIAPHRAGM KIT
4	190408	1	FLOJET BEARING COVER KIT
5	190411	1	CAM BEARING KIT (No screws included)
6	190407	1	FAN SHROUD KIT



Ref #	Part Number	Qty	Description
1	28683	1	CORD ASSY 14/3 X 50' YELLOW
2	28729	1	TUBE, CLAMP
3	28305	1	RELIEF, STRAIN
4	130760	1	BREAKER, CIRCUIT-1.5 AMP
5	28685	1	CORD
6	14865	2	RELIEVER, STRAIN
7	28283.WH	1	ENCLOSURE ASSY VAC & MOTOR
8	210234	2	GASKET, DRAIN VALVE
9	25202	1	HOSE BARB
10	28305	1	RELIEF, STRAIN
11	28684	1	CORD
12	28289	1	A REWORKED HOSE BARB
13	140307	5	CLAMP, HOSE 3/4 TO 1 3/4 DIA. S/S
14	28259	1	A REWORKED HOSE ADAPTER
15	28246	6	SPACER, MOTOR SUPPORT
16	210240	2	NUT, METAL DRAIN VALVE
17	0174..10	2	SEAT, NEOPRENE MOTOR
18	25151	2	MOTOR, VACUUM 5.7 DIA 2 STG. 120 V
	130403	2	MOTOR, VACUUM 5.7 DIA 2 STG. 230 V
19	140209	6	SCREW, HEX HD CAP 1/4-20 X 2 1/2
20	140519	1	NUT, KEP 10-24 - S/S
21	28290	1	HOSE, 7"
22	28258	1	A REWORKED HOSE BARB
23	210234	1	GASKET, DRAIN VALVE
24	28291	1	HOSE, 17"
25	28286.WH	1	WELDMENT, PUMP WHITE
26	25160	1.2 ft	TUBING, 5/8 O.D. X 3/8 I.D. NYLOBRADE
27	140310	4	CLAMP, HOSE 5/16 TO 7/8 DIA. - S/S
28	28303	1	HOSE, BARB
29	150606	1	NIPPLE, BRASS HEX 1/4 MPT X 1/4 MPT
30	180628	1	SCREEN, CLEAN WATER TANK
31	28014	1	CHASSIS, ROTOMOLD GRAY SC X 20
32	28317	1	DECAL, PUMP-BRUSH
33	15753.8	4	SCREW, MACHINE 10-24 X 1/2 PHP
34	140018	4	WASHER, INTERNAL LOCK TOOTH #10
35	130717	4	SWITCH, ROCKER ON/OFF 120/220 VOLT
36	28228	1	SWITCH
37	28318	1	DECAL, INTERMITTENT PUMP
38	28316	1	DECAL, VAC 1- VAC 2
39	28015	1	ENCLOSURE, SWITCH
40	120529	1	NAME PLATE, NOBLES
41	120556	1	DECAL, FRONT - SCX-20
42	28358	1	HOSE, 17" CLEAR WHITE W/1 1/2 CUFFS
43	28231	1	HOSE, 17"
44	25202	2	HOSE BARB
45	210234	4	GASKET, DRAIN VALVE
46	28013	1	COVER, RECOVERY TANK
47	28599	1	ADAPTER, REWORK
48	25203	1	SCREEN
49	19006	1	ELBOW, 90° 1-1/2 PVC SCHEDULE 40
50	28229	3ft	GASKET, BLACK 1/2" WIDE X 3/16" THICK
51	28220	1	RECOVERY TANK LT. GRAY W/CUTOUT

Ref #	Part Number	Qty	Description
53	140554	2	SCREW, HHC 1/4-20 X 3/4
54	140003	2	WASHER, FENDER 1/4" X 1"
55	28277	2	SPACER
56	140256	1	SCREW, HHC 3/8-16 X 2 1/2
57	140028	2	WASHER, FLAT 3/8 VSS
58	140515	1	NUT, LOCK NYLON INSERT 3/8-16
59	230637.BK	1	TOOL, FLOOR 20" BLACK
60	200825	2	SHOE, STAINLESS STEEL 20"
61	230635	1	BRACKET, MOUNTING BRUSH BASE
62	140898	2	SCREW, MACHINE 3/8-16 X 3/4 THP
63	140914	2	SPACER, NYLON .375 ID X .500, 250 W.
64	140313	1	CLAMP, FLOOR TOOL
65	140016	2	WASHER, LOCK 1/4"
66	140212	2	SCREW, HHC 1/4-20 X 1-1/2
67	140325	2	CLAMP, EAR 1/4"
68	160204	1.75ft	HOSE, 1/4 L.P. GRAY
69	150515	1	HOSE BARB, BRASS 1/4 MPT X 1/4 HOSE
70	103009	2	WHEEL, 12" X 1.75 HUB-NON MARKING
71	28337	4	SCREW, 5/16-18 X 1" FHP
72	140546	4	NUT, LOCK-NYLON INSERT 5/16-18
73	28114	1	AXLE, WHEEL - ZINC
74	14880.4	4	WASHER, FLAT .320" ID X .750" OD X .075
75	4252	2	WASHER, COMPRESSION - ZINC
76	3148.816	4	WASHER, FLAT STEEL
77	28230	2	RING, RETAINING
78	150516	2	HOSE BARB, BRASS 1/4 X 3/8 HOSE
79	210033	1	VALVE, SOLENOID 120 VOLT 60 Hz.
	210036	1	VALVE, SOLENOID 220 VOLT 50 Hz.
80	140552	2	NUT, NYLON LOCK 10-24
81	150933	1	PLUG, QUICK COUPLER SERIES 60
82	150406	2	ELBOW STREET 90° 1/4 FPT X 1/4 MPT
83	150615	1	NIPPLE, BRASS CLOSE 1/4 PIPE
84	28326	1	BRACKET, TEE
85	140887	2	SCREW, MACHINE 10-24 X 3/8 PHP
86	150709	1	TEE, BRASS 1/4 FPT X 1/4 FPT X 1/4 MPT
87	210030	1	VALVE, DIVERTER
88	210240	1	NUT, METAL DRAIN VALVE
89	140889	3	SCREW, MACHINE 10-24 X 1-1/4 RHP
90	140012	4	WASHER, FLAT 3/16 USS
91	26709	1	PUMP, 100 PSI 120 V
	180109	1	PUMP, 100 PSI 240 V
92	150415	1	ELBOW 90° NYLON 1/4 MPT X 3/8 HOSE
93	140519	4	NUT, KEP 10-24
94	15753.8	10	SCREW, MACHINE 10-24 X 1/2 PHP
95	140018	14	WASHER, INTERNAL LOCK TOOTH #10
96	28248	1	HOSE, 48"
97	28247	1	HOSE BARB, REWORKED
98	15753.12	4	SCREW, PH FC #10-24 X 3/4" STEEL
99	28398.WH	2	HOLDER, CORD WHITE
100	25160	.83 ft	TUBING, 5/8 O.D. X 3/8 I.D. NYLOBRADE
101	160404	1	HOSE, VACUUM 1 1/2 X 5' W/1 CUFF
102	140018	1	WASHER, INTERNAL LOCK TOOTH #10