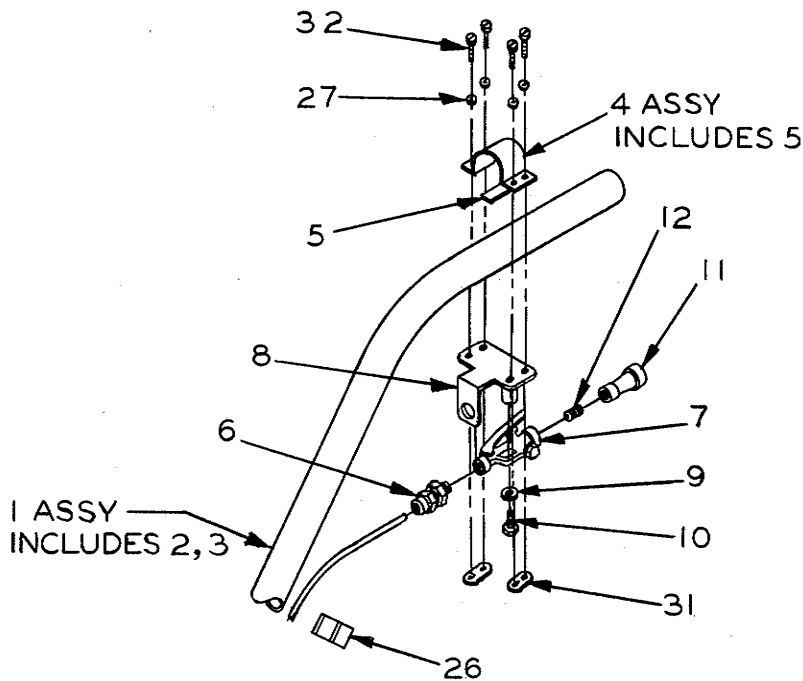


# NOBLES INDUSTRIES, INC.

645 E. 7th St., St. Paul, MN 55106  
(612) 771-5581  
Telex No. 29-7403

FORM 112-2821  
EFFECTIVE FEBRUARY 1, 1982  
E.E.O. EMPLOYER M/F

## SCRAPER TOOL ASSEMBLY Assembly No. D23915



Item	Part No.	Qty.	Description
1.	C6108	1	Assy - Wand (Includes 2 & 3)
2.	B6046	1	Male Lock Nut
3.	A6071	1	Lock Ring
4.	A17364	1	Assy - Bracket & Non-Slip (Includes 5)
5.	A17368	1	Surfacing, Non-Slip
6.	K15834	2	Fitting, Tube
7.	K16563	1	Valve
8.	K17366	1	Assy - Bracket & Stud
9.	K15770-616	1	Washer, Flat
10.	K16566-6	1	Screw, Hex Hd.
11.	K15296	1	Socket, Quick Disconnect
12.	K15285	1	Nipple, Close
13.	K15833	2	Nozzle
14.	K15153	2	Elbow
15.	K15152	2	Nipple
16.	K15151	1	Tee
17.	C23438	1	Assy - Universal Tool (See Back)
18.	C23921	1	Assy - Plate & Weld Nuts
19.	C23920	1	Bracket, Clamp
20.	B23923	1	Brush, Refill
21.	K15753-8	7	Screw, Pan Hd.
22.	K15752-10	11	Lockwasher
23.	B23922	1	Plate
24.	A15816	1	Clamp
25.	A15817	2	Clamp
26.	A15820	3	Clamp
27.	K15752-14	8	Lockwasher
28.	K15753-6	4	Screw, Pan Hd.
29.	K15835-46	1	Tubing, 46"
30.	K15856	4	Nut, Hex
31.	K15859	4	Nut, Weld-On
32.	K15860-8	8	Screw, Pan Hd.
33.	K23458	7	Screw

