

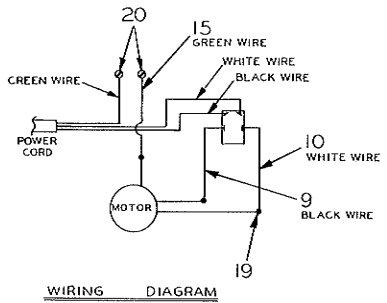
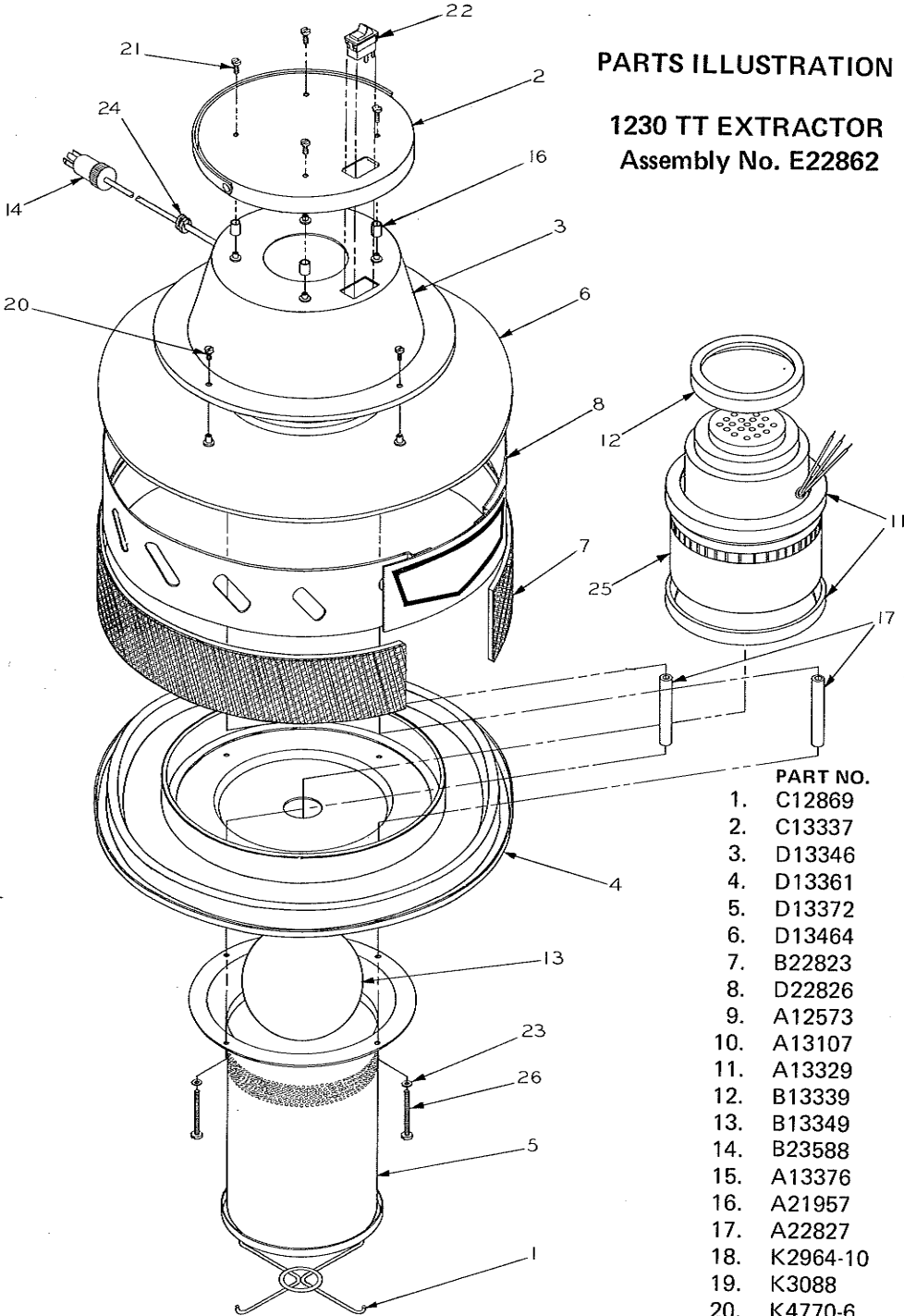
# NOBLES INDUSTRIES, INC.

FORM 374-8/812M  
REVISED OCTOBER 6, 1981  
EFFECTIVE AUGUST 1, 1981  
E.E.O EMPLOYER M/F

645 E. 7th ST., ST. PAUL, MINN. 55106  
(612) 771-5581

## PARTS ILLUSTRATION

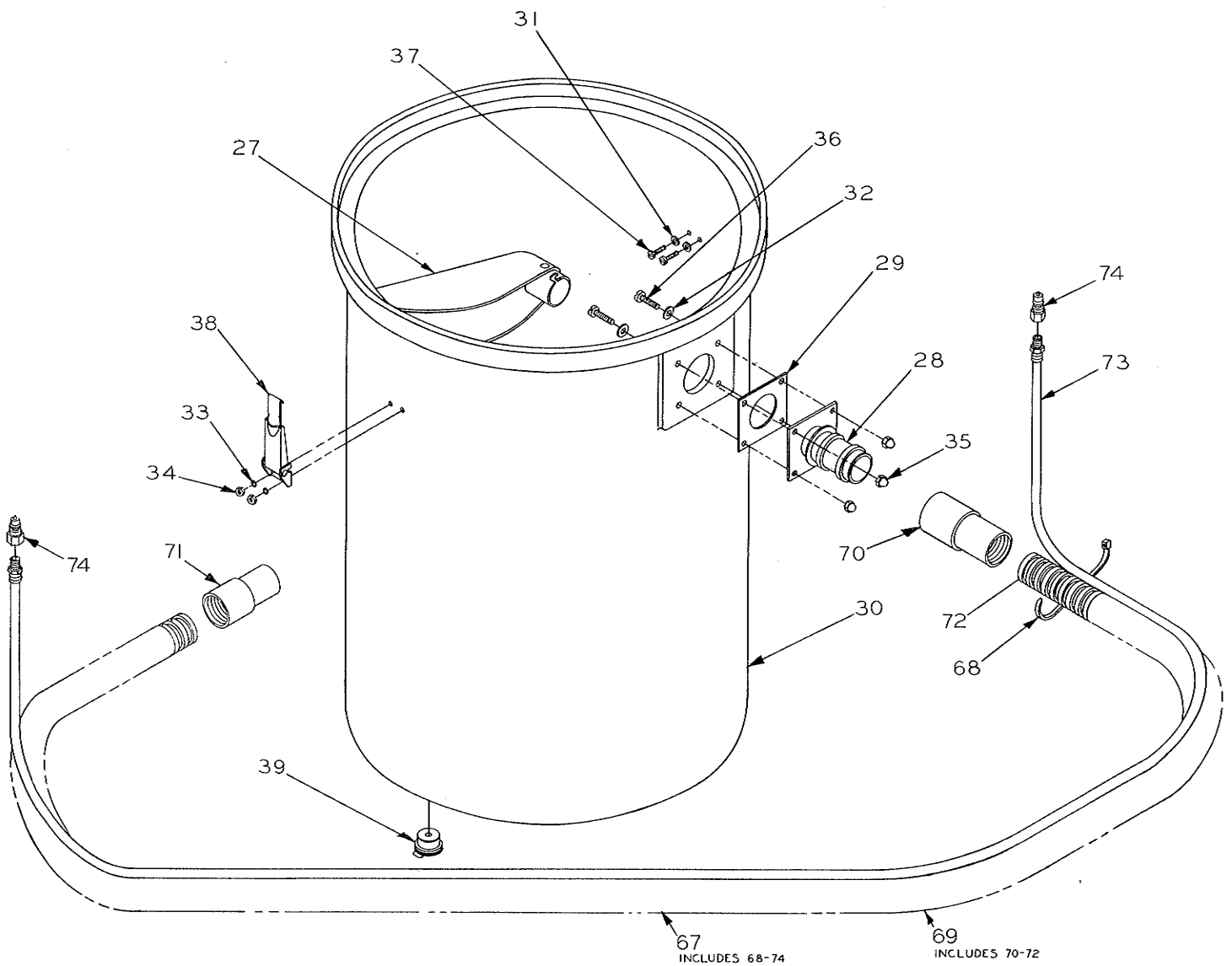
### 1230 TT EXTRACTOR Assembly No. E22862



### HEAD ASSEMBLY Assembly No. D23589

PART NO.	QTY.	DESCRIPTION
1. C12869	1	Assy - Brace & Ring
2. C13337	1	Assy - Handle & Dome
3. D13346	1	Assy - Motor Hood & Insulation
4. D13361	1	Assy - Motor Housing Bottom
5. D13372	1	Assy - Float Chamber
6. D13464	1	Assy - Motor Housing Top & Insulation
7. B22823	1	Assy - Final Filter
8. D22826	1	Assy - Spacer Ring & Emblem Plate
9. A12573	1	Wire, Brush Switch
10. A13107	1	Wire, Switch
11. A13329	2	Seal, Motor
12. B13339	1	Seal, Air
13. B13349	1	Float
14. B23588	1	Power Cord
15. A13376	1	Wire, Ground
16. A21957	4	Spacer
17. A22827	4	Spacer, Motor Support
18. K2964-10	2	Lockwasher, Shakeproof
19. K3088	3	Connector, Wire
20. K4770-6	6	Pan Head Machine Screw
21. K4770-12	4	Pan Head Machine Screw
22. K12984	1	Switch
23. K15752-10	4	Lockwasher, Shakeproof
24. K21184	1	Reliever, Strain
25. K22829	1	Motor
26. K22831-48	4	Round Machine Screws

Note: Optional Parts For Use As Dry Vacuum (Not Shown)  
 D13382 Assy - Bag & Retainer (Cloth)  
 C13374 Paper Filter Bag

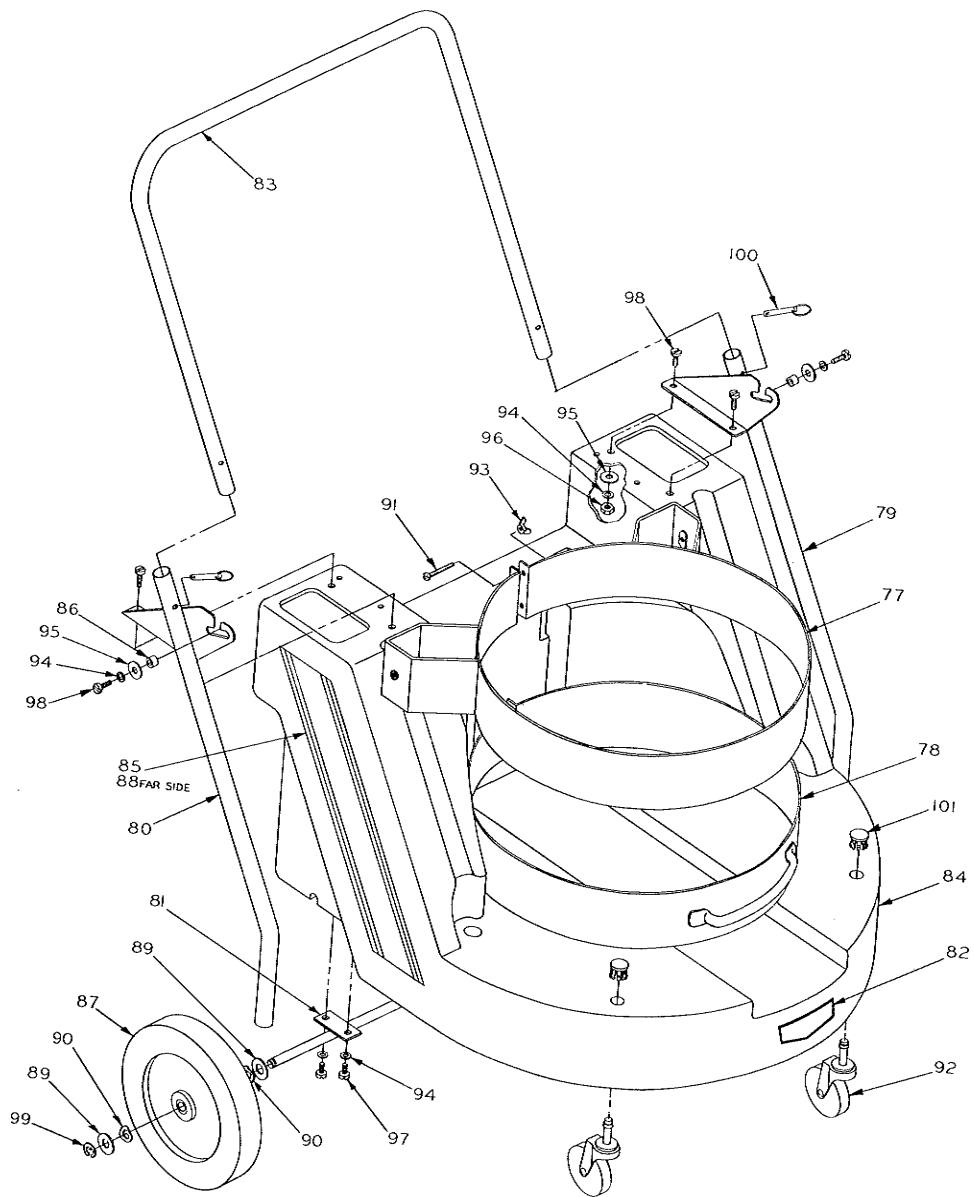


**TANK ASSEMBLY**  
**Assembly No. D13359**

PART NO.	QTY.	DESCRIPTION
27.	1	Assy - Deflector
28.	1	Assy - Intake & Pin
29.	1	Gasket
30.	1	Tank
31.	4	Washer, Flat Steel
32.	4	Washer, Flat Steel
33.	4	Lock Washer, Shakeproof
34.	4	Nut, Hex Steel Machine Screw
35.	4	Nut, Cap
36.	4	Screw, Pan Hd. Machine
37.	4	Screw, Pan Hd, Machine
38.	2	Latch
39.	1	Drain, Plug (Not included In Tank Assy.)

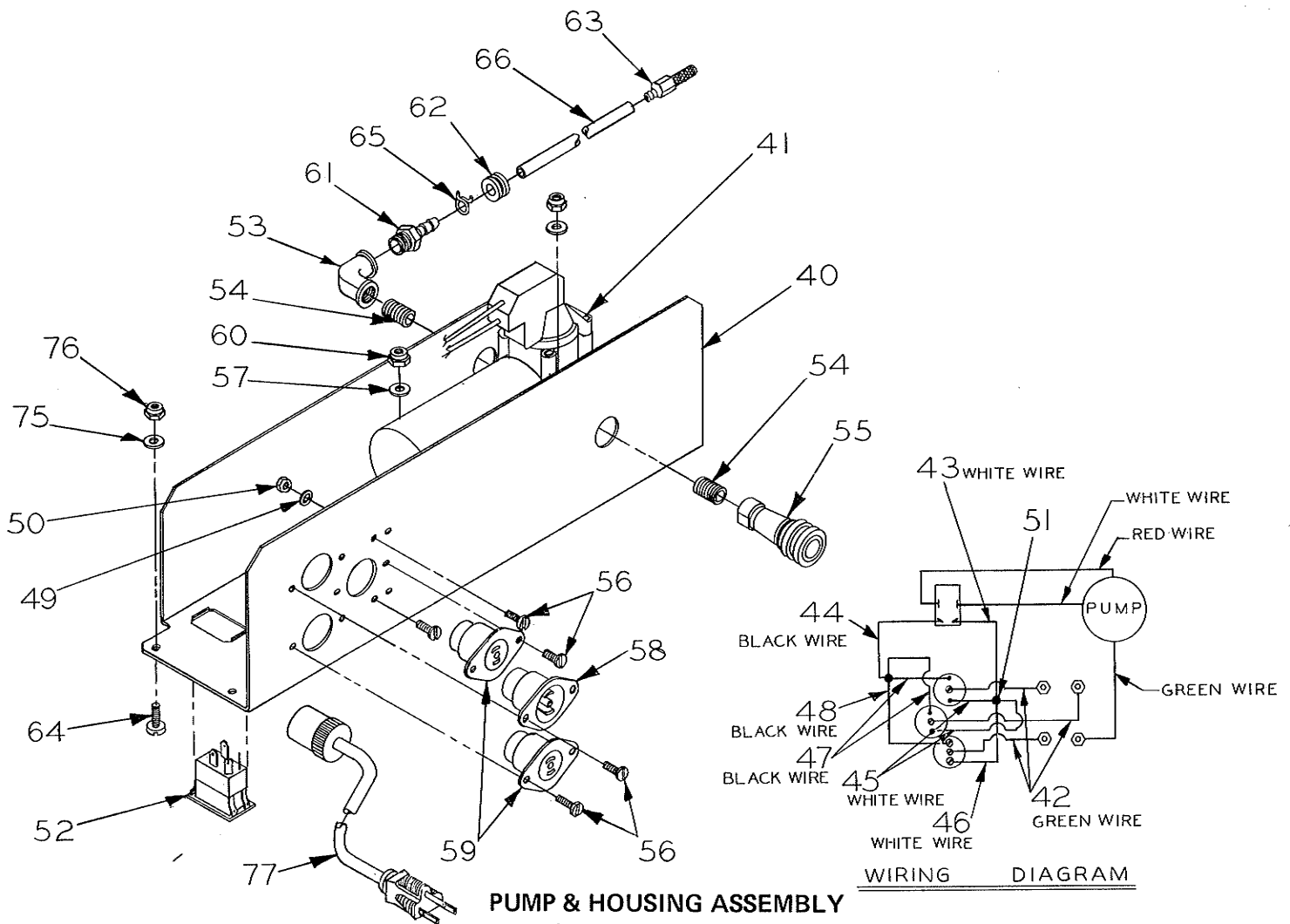
**VAC & SOLUTION HOSE ASSEMBLY**  
**Assembly No. C22861**

67.	1	Assy - Vac & Solution Hose
68.	7	Hose Tie
69.	1	Vac Hose (Includes 70-72)
70.	1	Cuff
71.	1	Cuff
72.	1	Vac Hose
73.	1	Solution Hose
74.	2	Socket, Quick Coupler



**TILT TANK CART ASSEMBLY**  
**Assembly No. D22796**

PART NO.	QTY.	DESCRIPTION
77. C22451	1	Assy - Belly Band & Pivot Brackets
78. C22452	1	Assy - Belly Band & Handle
79. C22800-1	1	Assy - Handle Support & Pivot Bracket
80. C22800-2	1	Assy - Handle Support & Pivot Bracket
81. C22801	1	Assy - Axle & Plates
82. A20816	1	Decal
83. D22257	1	Handle
84. E22684	1	Tank, Tilt
85. B22820	1	Decal
86. A23299	2	Spacer
87. K3143	2	Wheel
88. B23301	1	Decal
89. K3148-816	4	Washer, Flat
90. K4252	4	Washer, Wave
91. K4770-14	4	Screw, Pan Hd.
92. K5854	2	Caster
93. K6016	4	Nut, Wing
94. K15752-14	10	Lockwasher
95. K15770-416	6	Washer, Flat
96. K15857	4	Nut, Hex
97. K15860-8	4	Screw, Pan Hd.
98. K15860-12	6	Screw, Pan Hd.
99. K15996	2	"E" Ring
100. K16493	2	Pin
101. K22866	2	Hole, Plug



**PUMP & HOUSING ASSEMBLY**  
**Assembly No. C22806**

PART NO.	QTY.	DESCRIPTION
40. C22803	1	Assy - Housing & Weld Screws
41. B22814	1	Assy - Pump & Terminals
42. A23591	3	Wire, Green
43. A22815	1	Wire, White
44. A22816	1	Wire, Black
45. A22817	2	Wire, White
46. A23427	1	Wire, White
47. A22818	2	Wire, Black
48. A23428	1	Wire, Black
49. K2964-06	10	Lockwasher
50. K3069	10	Nut, Hex
51. K3088	2	Nut, Wire
52. K12984	1	Switch
53. K15153	1	Elbow, 90°
54. K15285	2	Nipple, Close
55. K15296	1	Socket, Quick Coupler
56. K12716-6	10	Screw, Pan Hd,
57. K15770-10	4	Washer, Flat
58. K20869	1	Receptacle, Male
59. K20906	2	Receptacle, Female
60. K22804	4	Nut, Flex-Loc
61. K22808	1	Adapter, Barbed
62. K22868	1	Grommet
63. K23080	1	Screen, Bell
64. K15753-10	4	Screw, Pan Hd.
65. K21978	1	Clip, Tubing
66. K14904-36	1	Tubing
75. K15770-10	4	Washer, Flat
76. K22804	4	Nut, Flex-Loc
77. B23587	1	Power Cord

NOT INCLUDED IN  
PUMP & HOUSING ASSY.