



Electronic Service Manuals

This electronic document is provided as a service to our customers. We do not create the contents of the information contained in this document. Should you have detailed questions pertaining to the information contained in this document, you may contact Michco, or the manufacturer which provided the original information in this electronic deliverable. Michco's only part in this electronic deliverable was the electronic assembly process. By providing this manual on line we are not guaranteeing parts availability.

You may contact Michco through the following methods:

Phone (517) 484-9312 or (800) 331-3339

2011 N. High St. -- Lansing, Michigan -- 48906

Fax: (517) 484-9836

Email: CustServe@Michco.com

Web site: www.Michco.Com

Parts Web site: www.FloorMachineParts.Com

Order Parts on Line at:

www.FloorMachineParts.Com

Directly to Parts & Service:

By Email: **Shop@Michco.com**

By Fax: (517) 702-2041

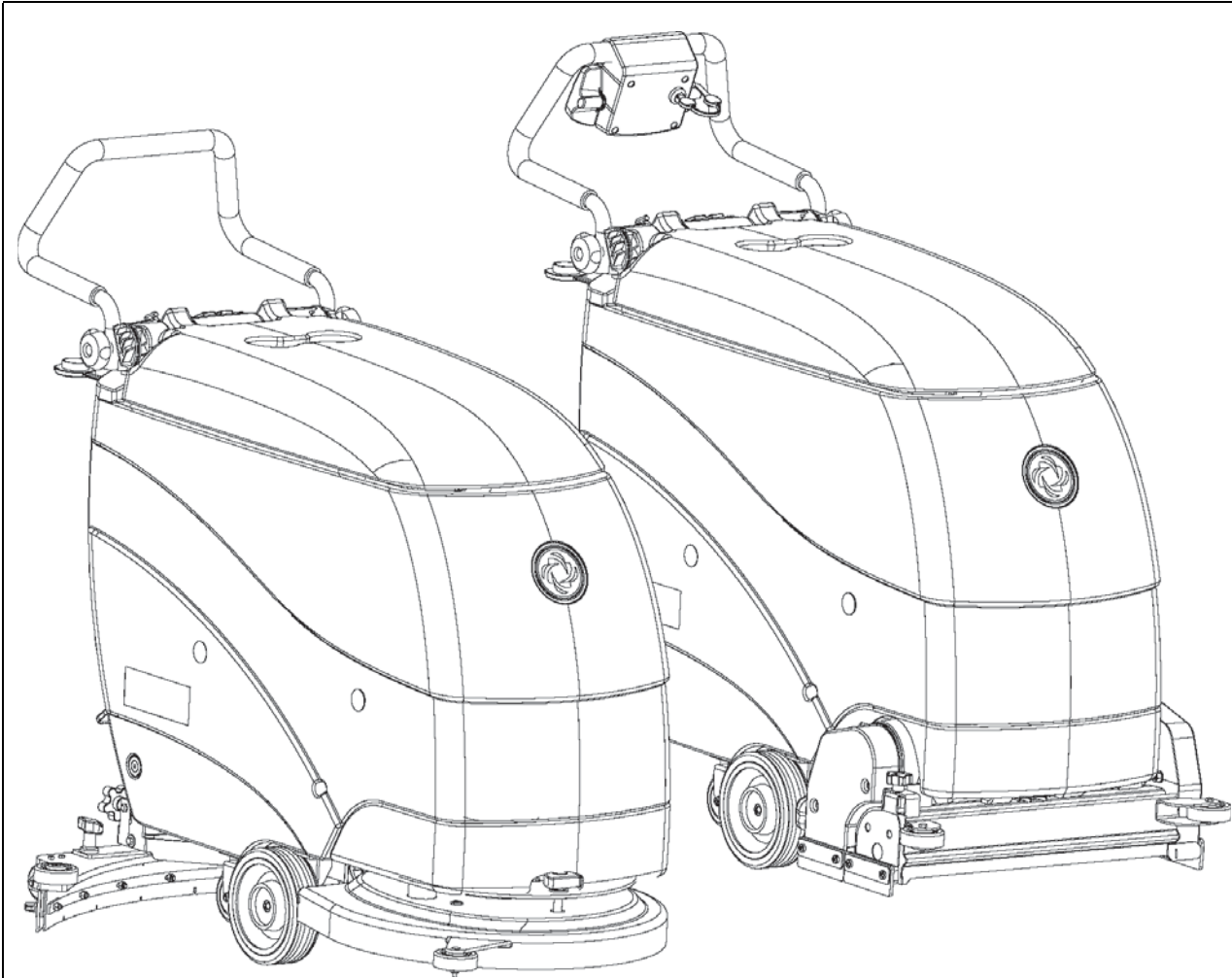
By Voice: Use numbers above.

Serving the Cleaning Industry Since 1922

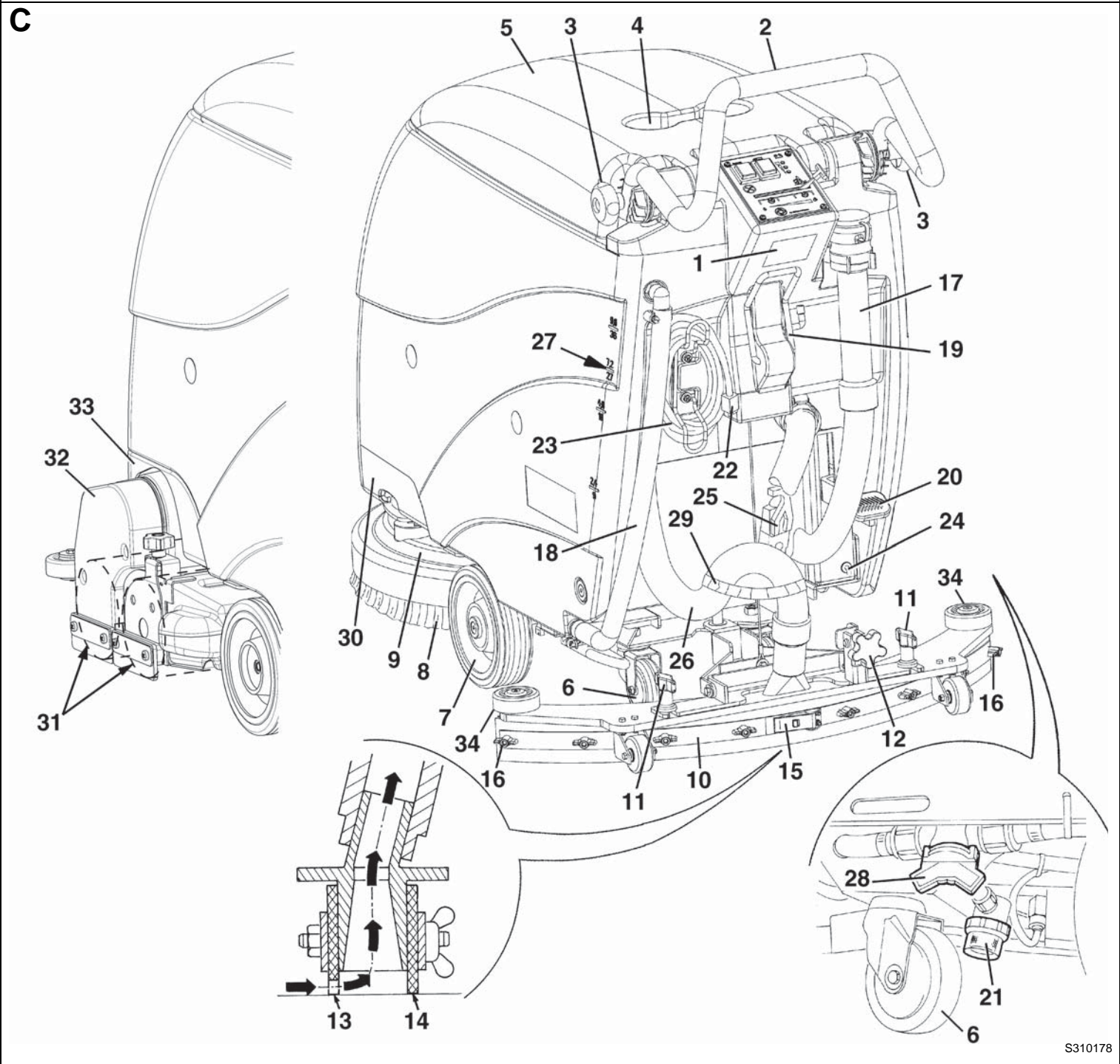
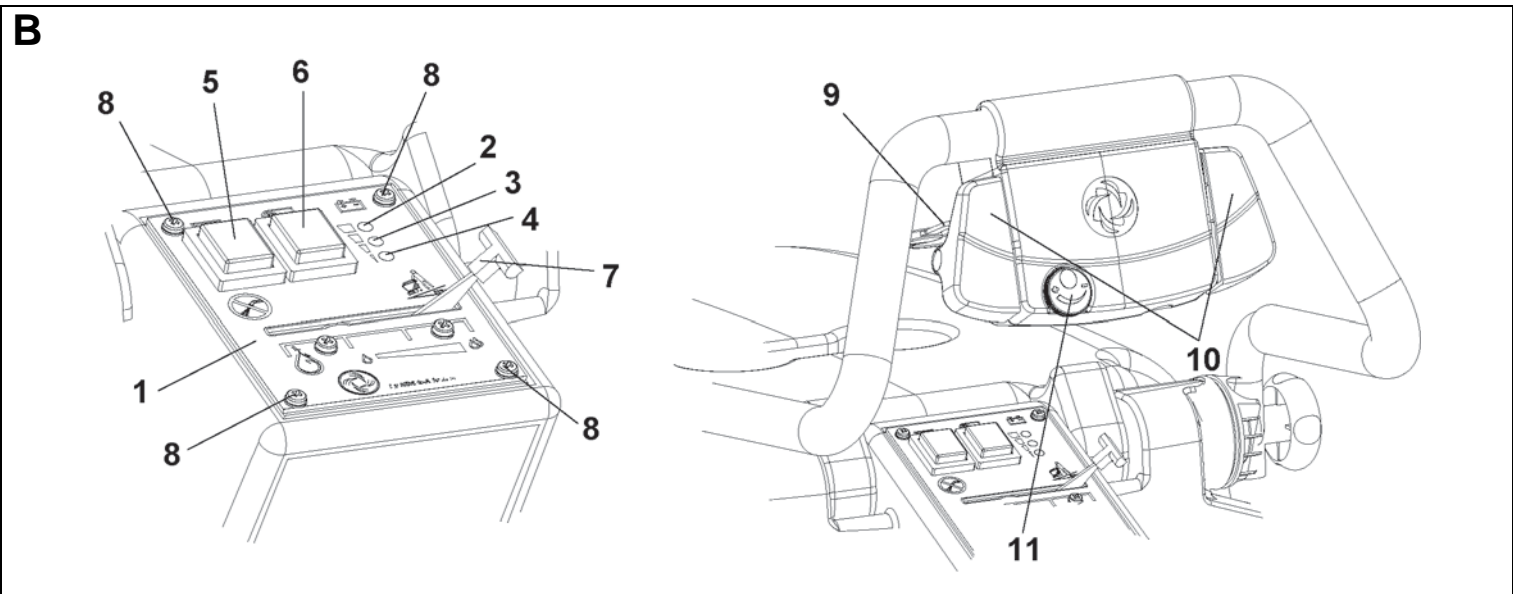
Notice: All copyrighted material remains property of original owners, all trademarks are property of respective owners. Manuals are subject to Manufacturer's reproduction limitations. Originals or reproductions were provided by manufacturers through a request. We make no warranty as to the correctness of information provided in this document and you assume all risk. By placing these manuals on line we are not declaring our corporation to be an manufacturer authorized dealer or provider, please check our web site for authorized manufacturers we represent.

Micromax™ 17B–20B

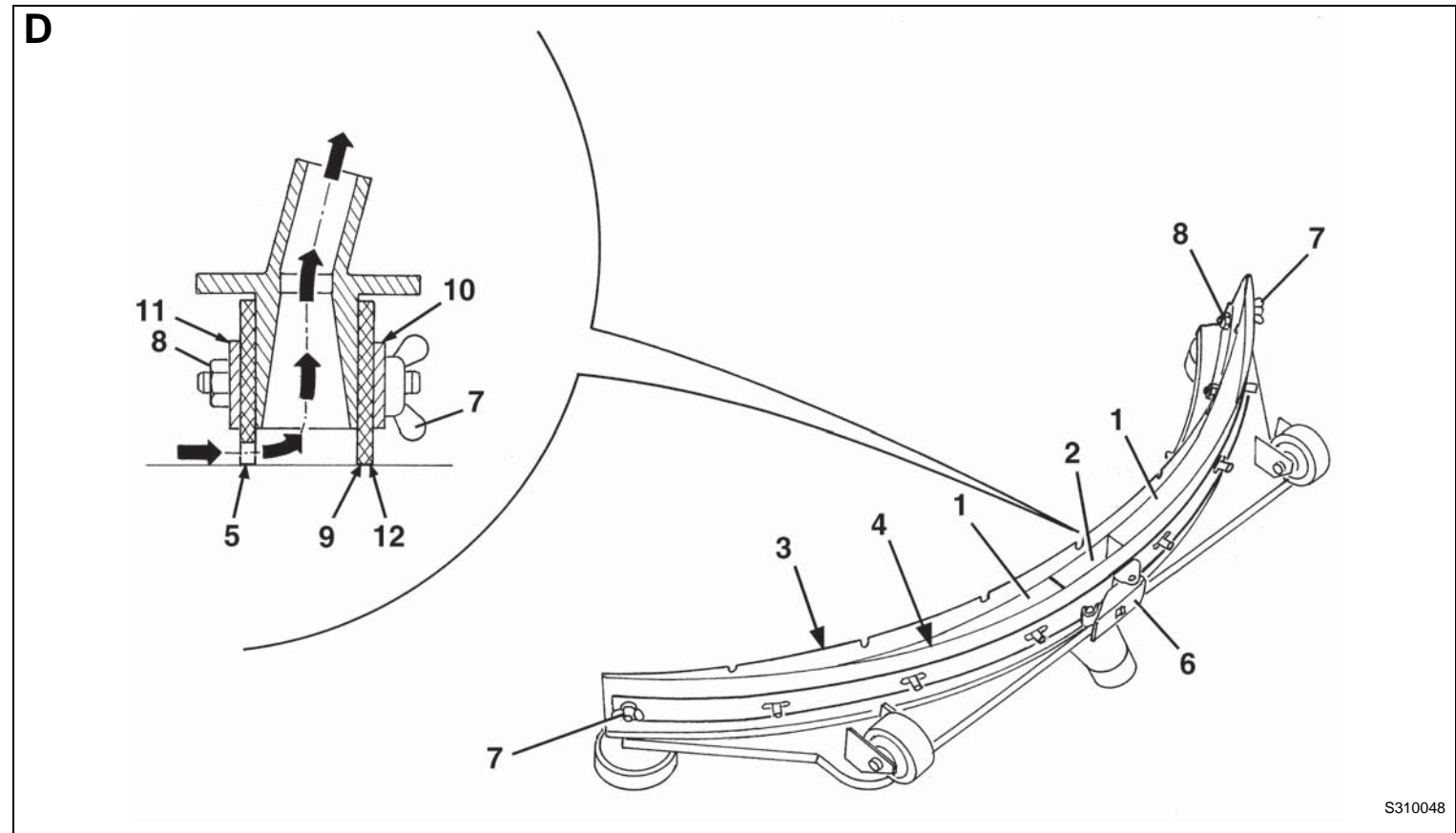
Micromax™ 20DC–20DD



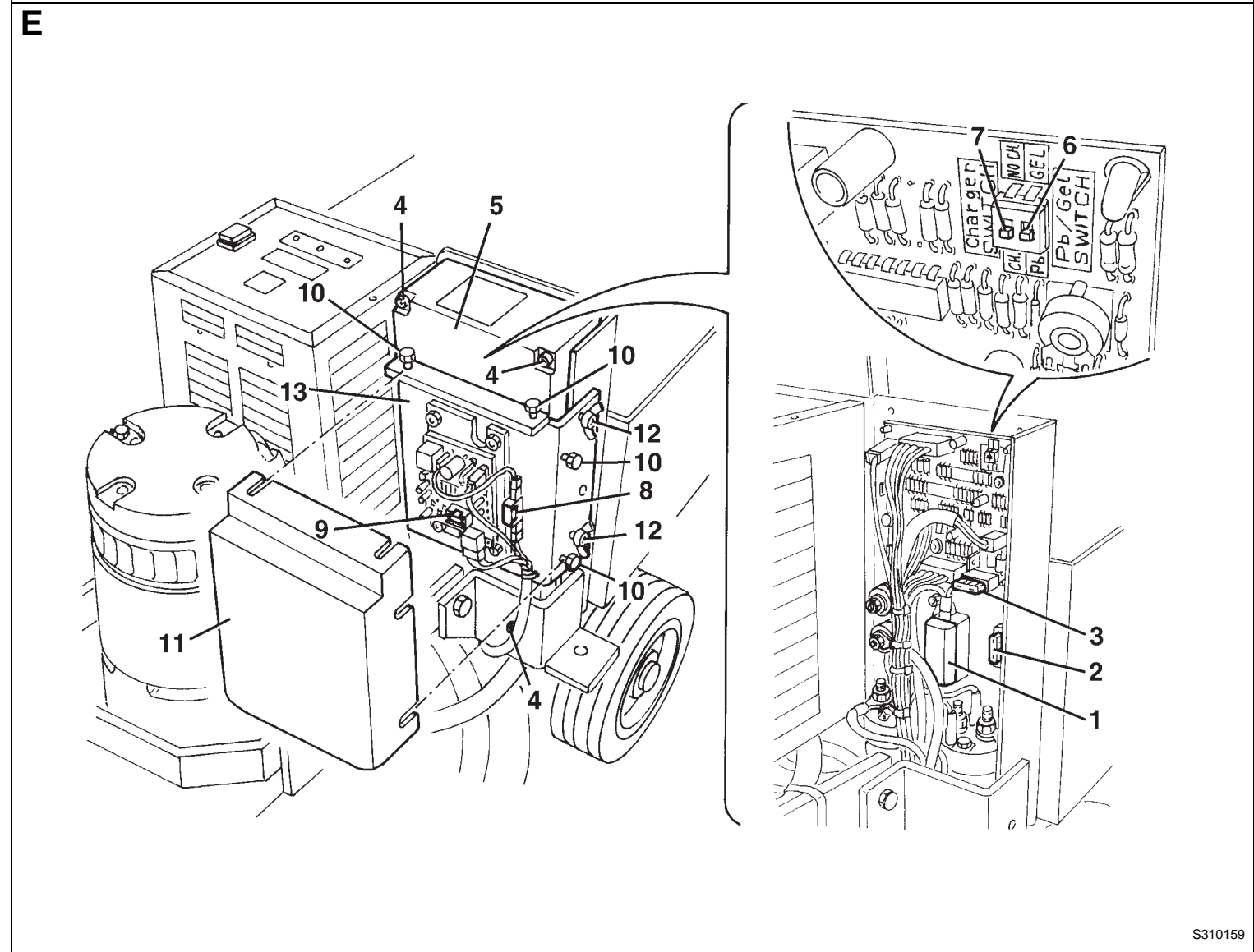
INSTRUCTIONS FOR USE ADVANCE model: 908 7043 020 – 908 7044 020 908 7045 020 – 908 7046 020	ENGLISH	
INSTRUCTIONS D'UTILISATION Modèle ADVANCE: 908 7043 020 – 908 7044 020 908 7045 020 – 908 7046 020	FRANÇAIS	
INSTRUCCIONES DE USO Modelo ADVANCE: 908 7043 020 – 908 7044 020 908 7045 020 – 908 7046 020	ESPAÑOL	
INSTRUÇÕES DE USO Modelo ADVANCE: 908 7043 020 – 908 7044 020 908 7045 020 – 908 7046 020	PORTUGUÊS	



S310178



S310048



S310159

INTRODUCTION	2
MANUAL PURPOSE AND CONTENTS	2
TARGET	2
HOW TO KEEP THIS MANUAL	2
IDENTIFICATION DATA	2
OTHER REFERENCE MANUALS	2
SPARE PARTS AND MAINTENANCE	2
CHANGES AND IMPROVEMENTS	2
SAFETY	2
SYMBOLS	2
GENERAL INSTRUCTIONS	2
UNPACKING	3
MACHINE DESCRIPTION	3
MICROMAX™ 17B–20B/20DC–20DD AUTOMATIC SCRUBBER OPERATION	3
TECHNICAL DATA	5
WIRING DIAGRAMS	6
ELECTRICAL PROTECTIONS	6
ACCESSORIES/OPTIONS	6
USE	7
BATTERY CHECK/SETTING ON A NEW MACHINE	7
BATTERY INSTALLATION AND BATTERY TYPE SETTING (WET OR GEL)	7
DECK INSTALLATION/REPLACEMENT	8
STARTING AND STOPPING THE MACHINE	8
MACHINE OPERATION	9
TANK EMPTYING	9
AFTER USING THE MACHINE	9
MACHINE LONG INACTIVITY	9
FIRST PERIOD OF USE	9
MAINTENANCE	10
SCHEDULED MAINTENANCE TABLE	10
SQUEEGEE CLEANING	10
SQUEEGEE BLADE CHECK/REPLACEMENT	11
BRUSH/CYLINDRICAL BRUSHES CLEANING	11
TANK AND SUCTION CAGE WITH FLOAT CLEANING	11
SOLUTION FILTER CLEANING	11
BATTERY CHARGE	12
FUSE CHECK/REPLACEMENT	12
BRUSH/PAD-HOLDER DECK OR CYLINDRICAL BRUSHES DECK REMOVAL/INSTALLATION	13
SAFETY FUNCTIONS	13
TROUBLESHOOTING	13
SCRAPPING	14

INTRODUCTION

MANUAL PURPOSE AND CONTENTS

The purpose of this Manual is to provide the Customer with all necessary information to use the machine properly in a safe and autonomous way. It contains information about technical characteristics, operation, machine inactivity, maintenance, spare parts and safety conditions.

Before carrying out any procedure on the machine, the Operators and qualified Technicians must read this Manual carefully. Contact the Advance Service Center in case of doubts regarding the interpretation of the instructions and for any further information.

TARGET

This Manual is intended for the Operator and the Technicians qualified for machine maintenance.

HOW TO KEEP THIS MANUAL

The Instructions for Use Manual must be kept near the machine, inside an adequate case, far from liquids and other substances that can cause damage to it.

IDENTIFICATION DATA

The machine model and serial number are marked on the plate on the tank and can be read from the outside (1, Fig. C).

The machine production year is shown after the Date Code on the serial plate (A05 means January 2005).

This information is useful when requiring machine replacement parts. Use the following table to write down the machine identification data for any further reference.

MACHINE model
MACHINE serial number

OTHER REFERENCE MANUALS

- Electronic Battery Charger Manual, which is to be considered as integral part of this Manual.
- Moreover, the following Manuals are available:
 - Service Manual (that can be consulted at the Advance Service Center).
 - Spare Parts List (supplied with the machine).

SPARE PARTS AND MAINTENANCE

All necessary use, maintenance and repair procedures must be carried out by qualified personnel or by the Advance Service Centers. Only original spare parts and accessories must be used.

Call Advance for service or to order spare parts and accessories, specifying the machine model and serial number.

CHANGES AND IMPROVEMENTS

Our Company constantly improves its products and reserves the right to make changes and improvements at its discretion without being obliged to apply such benefits to the machines that were previously sold.

Any modifications and/or addition of accessory must be approved and performed by the Manufacturer.

SAFETY

The following symbols indicate potentially dangerous situations. Always read this information carefully and take the necessary precautions to protect people and objects.

The machine Operator's cooperation is essential in order to prevent injury. No accident prevention program is effective without the total cooperation of the person responsible for the machine operation. Most of the accidents that may occur in a factory, while working or moving around, are caused by failure to comply with the simplest rules for exercising prudence. A careful and prudent user is the best guarantee against accidents and is essential for successful completion of any prevention program.

SYMBOLS



DANGER!

It indicates a dangerous situation (risk of death) for the Operator.



WARNING!

It indicates a potential risk of injury for people and objects.



CAUTION!

It indicates a caution or a remark related to important or useful functions. Pay particular attention to the paragraphs marked by this symbol.



CONSULTATION

Consult the Instructions for Use before performing any procedure.

GENERAL INSTRUCTIONS

Specific warnings and cautions to inform about potential damages to people and machine are shown below.



DANGER!

- Disconnect the battery with the appropriate connector before performing any maintenance or repair procedure.
- This machine must be used by qualified and authorized personnel only. Children or disabled people cannot use this machine.
- Keep the battery far from sparks, flames and incandescent material. During the normal operation explosive gases are delivered.
- Do not wear jewelry when working near electrical components.
- Do not work under the lifted machine, if it is not securely fixed.
- Do not operate the machine near dangerous, inflammable and/or explosive powders, liquids or vapors.
- Battery charging produces highly explosive hydrogen gas. Keep the tank assembly open during battery charging and perform the operation only in well-ventilated areas and far from naked flames.

**WARNING!**

- Carefully read all maintenance/repair instructions before carrying out any maintenance/repair procedure.
 - Before using the battery charger, ensure that frequency and voltage values, indicated in the machine serial number plate, match the mains values.
 - Take all necessary precautions to prevent hair, jewelry and loose clothing from being caught by the machine moving and vacuuming parts.
 - Do not smoke during battery charging.
 - Do not leave the machine unattended without being sure that the machine cannot move independently.
 - Do not use the machine on surfaces with a gradient greater than the one indicated on the machine.
 - Do not wash the machine with pressurized water, or with corrosive substances.
 - Do not use the machine in particularly dusty areas.
 - While using this machine, take care not to cause damage to people.
 - The storage temperature must be between +32°F and +104°F (0°C and +40°C).
 - The machine working temperature must be between +32°F and +104°F (0°C and +40°C).
 - The humidity range should be between 30% and 95%.
 - Always protect the machine against the sun, rain and bad weather, both during operation and inactivity condition.
 - Do not use the machine as a transport vehicle.
 - Do not allow the brush to operate while the machine is stationary to avoid damaging the floor.
 - In case of fire, use a powder fire extinguisher. Do not use water.
 - Do not bump into shelves or scaffoldings, particularly where there is a risk of falling objects.
 - Do not tamper with the machine safety guards; follow the ordinary maintenance instructions scrupulously.
 - Do not remove or modify the plates affixed on the machine.
 - In case of machine malfunctions ensure that these are not caused by a lack of maintenance. Otherwise, request assistance from the authorized personnel or the Service Center.
 - If parts must be replaced, order ORIGINAL spare parts from a Dealer or authorized Retailer.
 - To ensure the machine proper operation and safety conditions, the authorized personnel or the Service Center must carry out the Scheduled Maintenance detailed in the related chapter of this Manual.
 - The machine must be disposed of properly, because of the presence of toxic-harmful materials (battery acid, oil, etc.), which are subject to standards that require disposal in special centers (see the Scrapping chapter).
 - If the machine is used according to the instructions, the vibrations do not cause dangerous situations. The machine vibration level is under 2.5 m/s².
- Do not leave any object penetrate in the openings. Do not use the machine in case the openings are clogged; always keep the openings free from dust, hair and any other foreign material which could reduce the air flow.
 - This machine cannot be used on roads or public streets.
 - Pay attention to the machine transfers when temperature is under freezing point. The water in the recovery tank or in the pipes could freeze and damage the machine.
 - Use the brushes and the pads supplied with the machine and those specified in the Instructions for Use. Using other brushes or pads could reduce safety.

UNPACKING

To unpack the machine carefully follow the instructions on the packing.

On delivery, check that the machine and its packing were not damaged during transportation. If the damages are evident, keep the packing and have it checked by the Parcel Service that delivered it. Call the Parcel Service immediately to fill in a request for a compensation for damages.

Please check that the following items have been supplied with the machine:

1. Technical documents:
 - Instructions for Use
 - Electronic Battery Charger Manual
 - Spare Parts List
2. No. 1 lamellar fuse

MACHINE DESCRIPTION**MICROMAX™ 17B–20B/20DC–20DD
AUTOMATIC SCRUBBER OPERATION**

The scrubber-dryer is used to clean (scrubbing and drying) smooth and solid floors, in civil or industrial environment, under safe operation conditions and by a qualified Operator. The automatic scrubber cannot be used for fitted carpet and carpet cleaning.

AGREEMENTS

Forward, backward, front, rear, left or right are intended with reference to the Operator's position with the hands on the handlebar (2, Fig. C).

Control panel and commands**(See Fig. B)**

1. Control panel and commands
2. Charged battery warning light (green)
3. Semi-discharged battery warning light (yellow)
4. Discharged battery warning light (red)
5. Brush/pad-holder/cylindrical brushes (*) switch
6. Suction switch
7. Solution flow control lever
8. Control panel and commands mounting screws
9. Ignition key (*)
10. Drive control levers (*)
11. Drive speed governor (*)

(*) "20DD–20DC" versions only

Exterior rear overview**(See Fig. C)**

1. Serial number plate/technical data
2. Handlebar
3. Handlebar inclination adjusting handles
4. Can holder
5. Tank cover
6. Rear wheels, steering
7. Front wheels on fixed axle
8. Brush/pad-holder
9. Brush/pad-holder deck
10. Squeegee
11. Squeegee fastening knobs
12. Squeegee balancing knob
13. Squeegee front blade
14. Squeegee rear blade
15. Rear blade fastening hook
16. Wing nuts
17. Recovery water drain hose
18. Solution drain hose
19. Squeegee lifting lever
20. Brush lifting pedal
21. Solution filter
22. Battery charger plug
23. Battery charger cable
24. Supplied wrench
25. Battery connection (red) handle connector
26. Squeegee suction hose
27. Solution tank marks
28. Solution tap
29. Rubber band
30. Brush/pad-holder deck front spoiler
31. Cylindrical brushes
32. Cylindrical brushes deck
33. Front spoiler for cylindrical brushes deck
34. Anti-shock rollers

Tank under cover overview**(See Fig. G)**

1. Tank cover (open)
2. Tank cover seal
3. Compensation hole
4. Recovery water tank
5. Solution tank
6. Recovery water suction hole
7. Suction cage with automatic float cut-off
8. Recovery water draining hole
9. Seal housing
10. Suction cage retainers
11. Float
12. Seal junction point
13. Seal mating surface

Front overview**(See Fig. J)**

1. Tank assembly side fastening screw
2. Tank assembly (open)
3. Suction motor
4. Batteries
5. Battery caps
6. Electronic battery charger
7. Charged battery warning light
8. Lead (WET) or gel (GEL) battery selector switch (on the electronic battery charger)
9. Electrical box
10. Batteries mounting diagram
11. Drive system electrical box (*)
12. Brush/pad-holder motor
13. Machine forward movement speed adjusting knob, with brush/pad-holder
14. Machine forward movement adjusting knob, with brush/pad-holder
15. Brush/pad-holder deck
16. Brush
17. Pad-holder
18. Pad
19. Solution hose to brush/cylindrical brushes
20. Brush/pad-holder motor connector
21. Deck cotter pin
22. Deck cotter pin
23. Fixing block
24. Cylindrical brushes motor
25. Cylindrical brushes deck
26. Cylindrical brushes
27. Cylindrical brushes door
28. Cylindrical brushes door handwheel
29. Cylindrical brushes debris container
30. Debris container handle
31. Brush/pad-holder deck front spoiler
32. Cylindrical brushes deck front spoiler

(*) "20DD–20DC" versions only

TECHNICAL DATA

Dimensions	17B	20B	20DD	20DC
Cleaning width	17 in (430 mm)	20 in (508 mm)		
Squeegee width	30.3 in (770 mm)			
Machine width without squeegee	19.3 in (492 mm)	20.6 in (524 mm)		23.0 in (585.5 mm)
Machine height with raised handlebar	42.2 in (1,073 mm)			
Machine height with lowered handlebar	37.1 in (943 mm)			
Machine length with raised handlebar	46.7 in (1,187 mm)	48.9 in (1,242 mm)	50.5 in (1,285 mm)	48.0 in (1,220 mm)
Machine length with lowered handlebar	40.9 in (1,040 mm)	46.5 in (1,180 mm)		43.8 in (1,115 mm)
Brush/pad-holder diameter	17 in (430 mm)	20 in (508 mm)		—
Cylindrical brushes diameter	—			4.33 in (110 mm)
Cylindrical brushes length	—			19.0 in (485 mm)
Gradeability	2%			
Recovery tank capacity	9.6 gal (36 liters)			
Solution tank capacity	9.6 gal (36 liters)			
Solution flow adjustment	0 to 0.46 gal (0 to 1.75 liters) per minute			
Front wheels diameter	6.7 in (170 mm)			
Front wheels ground specific pressure	Less than 0.5 N/mm ²			
Rear wheels diameter	3.1 in (80 mm)			
Net weight (without batteries and with empty tanks)	191.8 lb (87.2 Kg)	196.9 lb (89.5 Kg)	214.5 lb (97.5 Kg)	216.7 lb (98.5 Kg)
Brush/pad-holder motor power	520 W			—
Cylindrical brushes motor power	—			400 W
Brush/pad-holder speed	165 rpm			—
Cylindrical brushes speed	—			570 rpm
Brush/pad-holder pressure	59.4 lb (27 Kg)	64.9 lb (29.5 Kg)		—
Cylindrical brushes pressure	—			67.1 lb (30.5 Kg)
Suction motor power	380 W			
Maximum air flow	68.4 cfm (32.5 liters/sec)			
Suction capacity	47.4 inH ₂ O (1,246 mmH ₂ O)			
Drive motor power	—		130 W	
Drive speed (variable)	0 to 3.2 mph (0 to 5.2 km/h)			
Acoustic pressure level (at the work station) EN 3744	65 dB(A)			
Standard batteries	2x12V 105 Ah WET		2x12V 130 Ah WET	
Batteries rated voltage	24V			
Battery compartment size	13.8x13.8x11.8 in (350x350x300mm)			
Protection grade	IPX4			
ETL Approval	Yes			

WIRING DIAGRAMS

Wiring diagrams, for different optional equipment (Fig. K and L).

CH1	Battery charger
C1	Battery connector
EB1	Electronic board (CFBA430)
EB2	LED board (CFBALED)
EB3	Drive electronic board
ES1	Brush electromagnetic switch
ES2	Suction electromagnetic switch
EV1	Water solenoid valve
F1	Brush fuse (50A)
F2	Suction fuse (40A)
F3	Water valve and electronic fuse (5A)
F4	Drive fuse (30A)
IS1	Negative insulator
IS2	Positive insulator
K1	Ignition switch
M1	Brush motor
M2	Suction motor
M3	Drive motor
R1	Drive speed governor
SW1	Brush switch
SW2	Suction switch
SW3	Drive control microswitch
SW4	Drive motor microswitch

Color code

BK	Black
BU	Blue
BN	Brown
GN	Green
GY	Grey
OG	Orange
PK	Pink
RD	Red
VT	Violet
WH	White
YE	Yellow

ELECTRICAL PROTECTIONS

Fuses

Brush safety fuse (50 A): (1, Fig. E)

Suction fuse (40 A): (2, Fig. E)

Solenoid valve fuse (5 A): (3, Fig. E)

Drive fuse (30 A): (8, Fig. E) (*)

Electronic board protection fuse (2A): (9, Fig. E) (*)

(*) "20DD-20DC" versions only

Brush motor overload protection electronic system

This system works when the brush motor is overloaded.

Its operation is signaled by the three warning lights (2, 3, 4, Fig. B) flashing at the same time; after a few seconds, the brush motor stops.

In order to restart the motor, it is necessary to eliminate the cause of the overload, which can be:

- the brush is too much pressed on the floor;
- the brush is blocked by floor roughness or by a foreign body;
- the brush rotation is slowed down by dirt, ropes or rags around its rotation shaft;
- the friction between brush and floor is excessive [increase the solution quantity with the appropriate control lever (7, Fig. B)].

Once the overload cause has been eliminated, reset the system as indicated below:

- (20B versions) stop the machine by turning switches (5 and 6, Fig. B) to "0";
- (20DD versions) stop the machine by turning the ignition key (9, Fig. B) to "0".

After that, the machine can be restarted again, as described in the related chapter.

Drive motor overload protection electronic system (20DD-20DC versions only)

This system works when the drive motor is overloaded.

Its operation is signaled by the drive motor stopping.

After a while, the system can be reset by stopping the machine and turning the ignition key (9, Fig. B) to "0".

After that, the machine can be restarted again, as described in the related chapter.

ACCESSORIES/OPTIONS

In addition to the standard components, the machine can be equipped with the following accessories/options, according to the machine specific use:

1. Gel batteries
2. Brushes of different materials
3. Pads of different materials
4. Oil-proof squeegee blades
5. Splash-guard
6. Natural rubber blades

For further information concerning the optional accessories apply to an authorized Retailer.

USE

**WARNING!**

On some points of the machine there are some adhesive plates indicating:

- DANGER
- WARNING
- CAUTION
- CONSULTATION

While reading this Manual, the Operator must take particular note of the meaning of these symbols.

Do not cover these plates for any reason, in case of damage replace them immediately.

BATTERY CHECK/SETTING ON A NEW MACHINE

**WARNING!**

- The electrical components of this machine can be seriously damaged if batteries are either installed or connected improperly. Batteries can be installed by qualified personnel only. Set the machine electronic board and the integrated battery charger according to the type of batteries used (lead or gel batteries).
- Check the batteries for damage before installation.
- Disconnect the battery connector or the battery charger plug.
- Move the batteries with great care.
- Be sure that the battery charger cables are properly connected to the battery terminals according to their polarity.
- Install the battery terminal protection caps supplied with the machine.

The machine needs two 12 V batteries, connected according to the diagram (10, Fig. J).

The machine can be set in one of the following modes:

a) (Lead or gel) batteries supplied and already installed on the machine and ready to be used.

1. Check that the batteries are connected to the machine with the connector (25, Fig. C).
2. Start the machine with the brush and suction switch (5 and 6, Fig. B). If the green warning light (2, Fig. B) turns on, the batteries are ready to be used. If the yellow or red warning light (3 or 4, Fig. B) turns on, it is necessary to charge the batteries (see the procedure in the Maintenance chapter).

b) Lead batteries installed on the machine, but without liquid electrolyte.

1. Remove the key (24, Fig. C) from its housing and remove the tank assembly fastening screw (1, Fig. J).
2. Carefully lift the tank assembly (2, Fig. J) with the handlebar (2, Fig. C).
3. Remove the battery caps (5, Fig. J).

**WARNING!**

Please pay a strict attention when working with sulfuric acid, as it is corrosive. If it comes in contact with the skin or the eyes, rinse thoroughly with water and consult a doctor. Batteries have to be filled up in a properly ventilated area. Wear protective gloves.

4. Fill up each battery element with sulfuric acid for batteries (density from 1.27 to 1.29 Kg at 25°C) in accordance with the instructions specified in the Battery Instruction Manual. The correct quantity of sulfuric acid is indicated in the Battery Instruction Manual.
5. To avoid damaging the floor, dry with a cloth both acid and water on the top of the batteries after charge.
6. Let the batteries rest for a few minutes and fill in with sulfuric acid in accordance with the instructions specified in the Battery Instruction Manual.
7. Charge the batteries (see the procedure in the Maintenance chapter).

c) Without batteries

1. Buy appropriate batteries (See the Technical Data and the installation diagram (10, Fig. J)). Apply to battery qualified retailers to choose and install the battery.
2. Install and set the batteries (WET or GEL) and the battery charger according to the type of battery, as described in the following paragraph.

BATTERY INSTALLATION AND BATTERY TYPE SETTING (WET OR GEL)

According to the chosen battery type (lead or gel) perform the setting of the machine electronic board and of the battery charger, following the instructions below:

Machine setting

1. Ensure that the battery connector (25, Fig. C) is completely disconnected.
2. Remove the key (24, Fig. C) from its housing and remove the tank assembly fastening screw (1, Fig. J).
3. Carefully lift the tank assembly (2, Fig. J) with the handlebar (2, Fig. C).
4. The machine setting performed at the factory is for lead (WET) batteries. If this setting corresponds to the chosen battery, go to step 8, otherwise perform the operations at points 5, 6, 7.
5. Unscrew the screws (4, Fig. E) and carefully remove the electrical component box cover (5) making it slide upwards.
6. Move the microswitch (6, Fig. E) upwards to GEL position.

**WARNING!**

Do not move the adjacent switch (7, Fig. E).

7. Reinstall the electrical component box cover (5, Fig. E) and tighten the screws (4).

Battery charger setting

8. Switch the battery charger selector switch (8, Fig. J) to WET position for lead batteries, or to GEL position for gel batteries.

Battery installation and charge

- Install the batteries on the machine according to the diagram (10, Fig. J).
- Charge the batteries (see the procedure in the Maintenance chapter).



NOTE

The machine does not operate if the battery charger is not connected to the batteries.

DECK INSTALLATION/REPLACEMENT

On 20DC and 20DD versions it can be installed both the brush/pad-holder deck (9, Fig. C) and cylindrical brushes deck (32).

See chapter Maintenance, for installation/replacement.

Brush or pad-holder installation/replacement

- On the machine with the related deck installed (9, Fig. G) it can be installed the brush (16, Fig. J) or the pad-holder (17) with the pad (18) according to the floor type.
- Lift the brush/pad-holder deck (9, Fig. C) with the pedal (20).
- Position the brush/pad-holder (16/17, Fig. J) under the brush/pad-holder deck.
- Lower the brush/pad-holder deck (9, Fig. C) with the pedal (20).
- Press the brush switch (5, Fig. B) for a few seconds to engage the brush/pad-holder.

Cylindrical brushes installation

- Lift the cylindrical brushes deck (32, Fig. C) with the pedal (20).
- Turn the ignition key (9, Fig. B) to "0" position and remove the key.
- Remove the handwheels (28, Fig. J) and the doors (27) pushing them down and pressing the handwheel.
- Install the cylindrical brushes (26, Fig. J).
Cylindrical brushes can be installed from both sides.
- Reinstall the doors (27, Fig. J) and lock them with the handwheels (28).

Squeegee installation

- Install the squeegee (10, Fig. C) and fix the knobs (11), then connect the hose (26) to the squeegee.
- Using the knob (12, Fig. C), adjust the squeegee so that its rear blade (14) (in all its length) touches the floor and that the front blade (13) is slightly detached from the floor.

Adjustments

- Using the handles (3), adjust the handlebar (2, Fig. C) to reach a comfortable position.

Solution tank filling up

- Open the tank cover (1, Fig. G).
- Fill the solution tank (5, Fig. G) with an appropriate solution for the cleaning to be carried out.
It is possible to check the solution level in the tank with the marks (27, Fig. C).

Do not fill the solution tank completely and let the solution level a few centimeters from the rim.

Always follow the dilution instructions on the label of the chemical product used to create the solution.

The solution temperature must be under 100°F (40°C).



CAUTION!

Use only low-foam and non-flammable solutions, appropriate for the machine.

STARTING AND STOPPING THE MACHINE

Starting the machine

- Prepare the machine as described in the previous paragraph.
- Lower the squeegee (10, Fig. C) with the lever (19).
- Lower the brush (8, Fig. C) with the pedal (20).
- Position the solution flow control lever (7, Fig. B) in the most appropriate position, depending on the type of cleaning to be carried out.
- Keeping a hand on the handlebar (2, Fig. C), start the machine with the brush and suction switches (5 and 6, Fig. B).



NOTE

If the green warning light (2, Fig. B) turns on, the machine is ready to be used. If the yellow or red warning light (3 or 4, Fig. B) turns on, charge the batteries before starting cleaning (see the procedure in the Maintenance chapter).

Stopping the machine

- Turn the brush and suction switches (5 and 6, Fig. B) to "0".
- Lift the brush with the pedal (20, Fig. C).
- Lift the squeegee with the lever (19, Fig. C).
- (20DD versions only): Turn the key (9, Fig. B) to "0".

MACHINE OPERATION

1. Start the machine as described in the previous paragraph.
2. Keeping both hands on the handlebar (2, Fig. C), manoeuvre the machine and start the floor scrubbing/drying.

(20DD-20DC versions only): By pressing the levers (10, Fig. B), both clockwise and counterclockwise, the machine feeds forward; reverse feed is not performed.

Traverse speed can be adjusted by turning the governor (11, Fig. B).

To pull the machine backwards or to perform turns with a very narrow radius, the traverse control has to be disconnected by releasing the levers (10, Fig. B).



CAUTION!

To avoid any damage to the floor surface, stop the brush rotation with the switch (5, Fig. B) when the machine stops in one place.



CAUTION!

Before lifting the brush/pad-holder, stop its rotation with the switch (5, Fig. B).

Machine drive controls

3. Depending on the floor type, or on the use of the brush or the pad-holder, the machine front drive speed and the forward straightaway movement (without turning on the right or on the left) can change. They can be adjusted with two knobs (13 and 14, Fig. J) on the brush, proceeding in the following way:
 - The machine moves towards the left by turning the adjusting knob (14, Fig. J) counter-clockwise; the machine moves towards the right turning the adjusting knob clockwise.
 - The machine speed increases by turning the adjusting knob (13, Fig. J) counter-clockwise; the machine speed decreases turning the adjusting knob clockwise.

TANK EMPTYING



NOTE

An automatic float cut-off system (7, Fig. G) locks the suction system once the recovery tank (4) is full.

The suction system locking is signaled by a sudden increase in the suction motor noise frequency.

Once the recovery water tank (4, Fig. G) is full, empty it in the following way.

Recovery water tank emptying

1. Stop the machine with the brush and suction switches (5 and 6, Fig. B).
2. Lift the brush/pad-holder with the pedal (20, Fig. C).
3. Lift the squeegee with the lever (19, Fig. C).
4. Bring the machine to the appointed disposal area.
5. Empty the recovery tank with the hose (17, Fig. C). If the cleaning is over, rinse the tank with clean water.

Solution tank emptying

6. Carry out steps from 1 to 4.
7. Empty the solution tank with the hose (18, Fig. C). If the cleaning is over, rinse the tank with clean water.

Cylindrical brushes debris container emptying (for cylindrical brushes deck only)

8. Stop the machine with the related brush and suction switches (5 and 6, Fig. B).
9. With the cylindrical brushes deck (25, Fig. J) lowered, remove the debris container (29) pulling it laterally with the handle (30).
10. Empty the debris container (29, Fig. J), then install it and engage the related retainers.

AFTER USING THE MACHINE

At the end of the work, before leaving the machine:

1. Remove the brush/pad-holder as follow:
 - **Brush/pad-holder:** with the brush/pad-holder deck lifted, turn the brush switch (5, Fig. B) to "I" position; after a few seconds, turn the switch back to "0" position, releasing the brush/pad-holder.
 - **Cylindrical brushes:** with the cylindrical brushes deck lifted, unscrew the handwheels (28, Fig. J) and remove the doors (27) pushing them down and pressing on the handwheels. Remove the cylindrical brushes (26, Fig. J). Reinstall the doors (27, Fig. J) and screw the handwheels (28).
2. Empty the tanks (4 and 5, Fig. G) and the debris container (29, Fig. J), following the instructions in the previous paragraph.
3. After using the machine, perform the maintenance operations (see the Maintenance chapter).
4. Leave the machine in a dry and clean place, with brush and squeegee removed or lifted.

MACHINE LONG INACTIVITY

If you foresee that the machine will not be used for more than 30 days, proceed as follows:

1. Perform the operations described in the After Using the Machine paragraph.
2. Disconnect the battery connector (25, Fig. C).
3. Disconnect the battery positive terminal (+) directly from the battery (+) pole.

FIRST PERIOD OF USE

After the first period of use (first 8 hours) it is necessary to check that the fastening and connecting elements are correctly tightened, that the visible parts are integral and that there are no leaks.

MAINTENANCE

The machine proper and safe operation is guaranteed by a careful and constant maintenance.

The following table summarizes the routine maintenance required. The intervals indicated can be changed to suit working conditions. These must be defined by the person in charge of the maintenance.



WARNING!

The operations must be carried out with the machine off and the battery disconnected. Moreover, carefully read the instructions in the Safety chapter before performing any maintenance operation.

All routine or extraordinary maintenance operations must be performed by skilled personnel, or by an authorized Service Center. This Manual describes only the easiest and most common maintenance procedures.



NOTE

For other maintenance procedures contained in the Scheduled Maintenance Table see the specific Service Manual that can be consulted at the Advance Service Center.

SCHEDULED MAINTENANCE TABLE

Operation	Daily, after machine use	Weekly	Every six months	Yearly
Squeegee cleaning				
Squeegee blade check (and replacement)				
Brush/cylindrical brushes cleaning				
Tank and suction cage with float cleaning				
Solution filter cleaning				
Battery charge				
Lead battery (WET) fluid level check				
Nut and screw tightening check			(1)	
Brush electrical motor brush (or carbon brush) check or replacement				(2)
Suction electrical motor brush (or carbon brush) check or replacement				(2)
Drive electrical motor brush (or carbon brush) check or replacement (*)				(2)
Drive shaft bearing greasing (*)				
Cylindrical brushes motor drive belt check and adjustment (**)			(2)	

(1): And after the first 8 working hours

(2): Maintenance operation to be performed by the Advance Service Center

(*): 20DD-20DC versions only

(**): For cylindrical brushes deck only

SQUEEGEE CLEANING



NOTE

For a good drying, the squeegee must be clean and its blades must be in good conditions.



CAUTION!

It is advisable to wear protective gloves when cleaning the squeegee because there can be cutting debris.

1. Drive the machine on a level ground.
2. Check that the switches (5 and 6, Fig. B) are in "0" position.

3. Lower the squeegee (10) with the lever (19, Fig. C).
4. Disconnect the suction hose (26, Fig. C) from the squeegee.
5. Loosen the knobs (11, Fig. C) and remove the squeegee (10).
6. Wash and clean the squeegee; in particular, clean the compartments (1, Fig. D) and the hole (2) from dirt and debris. Check that the front (3) and rear blades (4) are integral and free from cuts and lacerations; otherwise replace them (see the procedure in the following paragraph).
7. Install in the reverse order of removal.

SQUEEGEE BLADE CHECK/REPLACEMENT

1. Clean the squeegee as described in the previous paragraph.
2. Check that the edges (5, Fig. D) of the front and rear blades (12) lay down on the same level, along all their length; otherwise adjust their height as described below:
 - Disengage the retainer (6) and loosen the wing nuts (7) to adjust the rear blade (4); then tighten the wing nuts and engage the retainer;
 - Loosen the nuts (8) to adjust the front blade (3); then tighten the nuts.
3. Check that the front and rear blades (3 and 4) are integral and free from cuts and lacerations; otherwise replace them as described below. Check that the front corner (9) of the rear blade is not worn; otherwise, overturn the blade to replace the worn corner with an integral one. If the other corners are worn too, replace the blade as described below:
 - To replace (or overturn) the rear blade (4) disengage the retainer (6), unscrew the wing nuts (7) and the retaining strip (10). Install in the reverse order of removal.
 - To replace the front blade (3) remove the nuts (8) and the retaining strip (11). Install in the reverse order of removal.

After the blade replacement (or overturning), adjust their height as described in the previous step.
4. Reinstall the squeegee assembly (10, Fig. C) in the correct position and screw down the knobs (11).
5. Connect the suction hose (26, Fig. C) to the squeegee (10).
6. If necessary, adjust the balancing knob (12, Fig. C) of the squeegee.

BRUSH/CYLINDRICAL BRUSHES CLEANING



CAUTION!
It is advisable to wear protective gloves when cleaning the brush because there can be cutting debris.

1. Remove the brush, as described in the Use chapter.
2. Clean and wash the brush with water and solution.
3. Check that the brush bristles are integral and not excessively worn, otherwise replace the brushes.
4. On the cylindrical brushes deck, remove the debris container (29, Fig. J) pulling it laterally with the handle (30).
Empty and wash the debris container, then reinstall it engaging the inner retainers.

TANK AND SUCTION CAGE WITH FLOAT CLEANING

1. Bring the machine to the appointed disposal area.
2. Check that the switches (5 and 6, Fig. B) are in "0" position.
3. Lift the cover (1, Fig. G).
4. Clean and wash with clean water the cover (1, Fig. G), the tanks (4 and 5) and the screen (7) of the suction automatic cut-off.
Drain the water from the tanks with the hoses (17 and 18, Fig. C).
5. If necessary, release the retainers (10, Fig. G) and open the screen (7); recover the float (11), clean all the components and then reinstall them.
6. Check that the tank cover gasket (2, Fig. G) is integral.



NOTE
The gasket (2) creates suction in the tank for recovery water vacuuming.

If necessary replace the gasket (2, Fig. G) after removing it from its housing (9). When assembling the new gasket, install its joint (12) in the (central rear) area as shown in the figure.

7. Check that the gasket (2, Fig. G) seating surface (13) is integral and adequate for the gasket.
8. Check that the compensation hole (3, Fig. G) is not clogged, otherwise clean it.



NOTE
The hole (3, Fig. G), allowing to compensate the air in the cover interspaces, also creates vacuum in the tank.

9. Close the cover (1, Fig. G).

SOLUTION FILTER CLEANING

1. Rotate and close the solution tap (5, Fig. F). If the tap is not fitted on the machine, it is necessary to empty the tank (5, Fig. G) as described in the specific paragraph.
2. Drive the machine on a level ground.
3. Check that the switches (5 and 6, Fig. B) are in "0" position.
4. Operating under the right lower side of the machine, remove the transparent cover (1, Fig. F) and the wire gauze (2); then clean and reinstall them on the support (3).



NOTE
The wire gauze (2) must be correctly positioned on the support (3) housing (4).

BATTERY CHARGE



NOTE

Charge the batteries when the yellow and red warning lights (3 or 4, Fig. B) turn on, or at the end of each cleaning operation. Keeping the batteries charged makes their life last longer.



CAUTION!

When the batteries are discharged, charge them as soon as possible, as that condition makes their life shorter. Check for battery charge at least once a week.



WARNING!

Battery charging produces highly explosive hydrogen gas. Charge the batteries only in well-ventilated areas and far from naked flames.

Do not smoke during battery charging. Keep the tank assembly open while charging the batteries.



WARNING!

Pay attention during battery charging because there can be battery fluid leaks. The battery fluid is corrosive. If it comes in contact with the skin or the eyes, rinse thoroughly with water and consult a doctor.

1. If equipped, empty the water from the tanks (4 and 5, Fig. G) with the hoses (17 and 18, Fig. C).
2. Drive the machine on a level ground.
3. Remove the key (24, Fig. C) from its housing and remove the tank assembly fastening screw (1, Fig. J).



WARNING!

Pay attention during battery charging because there can be battery fluid leaks. The battery fluid is corrosive. If it comes in contact with the skin or the eyes, rinse thoroughly with water and consult a doctor.

4. Carefully lift the tank assembly (2, Fig. J) with the handlebar (2, Fig. C).
5. For lead batteries only:
 - Check the correct level of electrolyte inside the batteries; if necessary, top up through the caps (5, Fig. J);
 - Leave the caps (5) open for next charging;
 - Clean (if necessary) the upper surface of the batteries.
6. Charge the batteries in the following way.

Battery charging with battery charger on board

1. For lead batteries only:
 - Check the correct level of electrolyte inside the batteries; if necessary, top up through the caps (5, Fig. J);
 - When the correct level is reached, close the caps (5) and clean (if necessary) the upper surface of the batteries.
2. Connect the battery charger plug (22, Fig. C) to the electrical mains (the mains voltage and frequency must be compatible with the battery charger values on the machine serial number plate).



NOTE

When the battery charger is connected to the electrical mains, all machine functions are automatically cut off.

When the red warning light (4, Fig. B) on the control panel turns on, it shows that the battery charger is charging the batteries.

3. When the red warning light (4, Fig. B) turns off, the battery charging is completed.
4. Once the battery charging is completed, disconnect the battery charger plug (22, Fig. C) from the electrical mains and wind it round its support on the machine.
5. Carefully lower the tank assembly (2, Fig. J) with the handlebar (2, Fig. C).
6. Remove the key (24, Fig. C) from its housing and remove the tank assembly fastening screw (1, Fig. J).
7. The machine is ready to be used.



NOTE

For further information about the battery charger operation, see the related Manual.

FUSE CHECK/REPLACEMENT

1. Disconnect the battery connector (25, Fig. C).
2. Drain the water from the tanks (4 and 5, Fig. G) with the hoses (17 and 18, Fig. C).
3. Remove the key (24, Fig. C) from its housing and remove the tank assembly fastening screw (1, Fig. J).
4. Carefully lift the tank assembly (2, Fig. J) with the handlebar (2, Fig. C).
5. 20DD versions only: loosen the screws (10, Fig. E) and remove the cover (11).
6. 20DD-20DC versions only: check/replace the fuses:
 - Drive fuse (30A): (8, Fig. E);
 - Electronic board protection fuse (2A): (9, Fig. E).
7. 20DD versions only: loosen the wing nuts (12, Fig. E) and move to one side the support with the drive electronic board (13, Fig. E).
8. Unscrew the screws (4, Fig. E) and carefully remove the electrical component box cover (5) making it slide upwards.
9. Check/replace the fuses:
 - Brush safety fuse (50 A): (1, Fig. E)
 - Suction fuse (40 A): (2, Fig. E)
 - Solenoid valve fuse (5 A): (3, Fig. E)
10. Install in the reverse order of removal.

BRUSH/PAD-HOLDER DECK OR CYLINDRICAL BRUSHES DECK REMOVAL/INSTALLATION



NOTE

On Micromax™ 20DD from serial number 1812290 or Micromax™ 20DC from serial number 1812178, it is possible to install either a brush/pad-holder deck (9, Fig. C) or a cylindrical brushes deck (32), according to the following instructions.

Removal

1. If equipped, empty the water from the tanks (4 and 5, Fig. G) with the hoses (17 and 18, Fig. C).
2. Drive the machine on a level ground.
3. Turn the ignition key (9, Fig. B) to "0" position.
4. Disconnect the battery connector (25, Fig. C).
5. Remove the supplied wrench (24, Fig. C) and unscrew the tank assembly mounting screw (1, Fig. J).
6. Hold the handlebar (2, Fig. C) and carefully lift the tank assembly (2, Fig. J).
7. Disconnect the brushes solution feed hose (19, Fig. J) from the deck.
8. Disconnect the motor connector (20, Fig. J).
9. Remove the two cotter pins (21, Fig. J) with the related pins and washers.
10. Remove the cotter pin (22, Fig. J) and the related shim.
11. Remove the brush/pad-holder deck (15, Fig. J) or the cylindrical brushes deck (25).
12. To install one deck or the other, remove the spoiler (31, Fig. J) or the spoiler (32) by releasing the related inner retainers.

Installation

13. Install in the reverse order of the removal.
 - With the brush/pad-holder deck (15, Fig. J) installed, position the fixing block (23, Fig. J) as shown in Fig. H (1).
 - With the cylindrical brushes deck (25, Fig. J) installed, position the fixing block (23, Fig. J) as shown in Fig. I (1).
 - To change the fixing block position, remove the cotter pin (2, Fig. H) with the related pin (3) and the washer.



WARNING!

The incorrect positioning of the fixing block cause the incorrect ground clearance of the brush/pad-holder or cylindrical brushes deck.

SAFETY FUNCTIONS

The red connector (25, Fig. C) can be used in case of emergency to stop all the machine functions. If necessary, remove the connector with the red handle.

TROUBLESHOOTING

TROUBLE	POSSIBLE CAUSE
Motors do not work; no warning light turns on	Disconnected battery connector (25, Fig. C)
	Completely discharged batteries
The suction motor does not start	Blown fuse
Insufficient dirty water suction	Full recovery tank (4, Fig. G)
	Clogged suction cage (7, Fig. G) or stuck closed float
	Hose (26, Fig. C) disconnected from the squeegee
	Dirty squeegee (10, Fig. C) or worn/damaged squeegee blades
Insufficient solution flow to the brush	Incorrectly closed tank cover, or damaged gasket (2, Fig. G) or clogged compensation hole (3, Fig. G)
	Dirty solution filter (2, Fig. F)
Scoring caused by the squeegee	Dirty tank (5, Fig. G) (clogged output hole)
	Debris under the squeegee blades
Drive does not operate (*)	Worn, chipped or torn squeegee blades
	Squeegee not balanced with the knob (12, Fig. C)
	Disconnected battery connector (25, Fig. C)
	Key (9, Fig. B) in "0" position
	Speed governor (11, Fig. B) turned completely counterclockwise
	Blown drive fuse (8, Fig. E)
	Electronic board malfunction due to overload or overheat; wait at least 5 minutes before resetting the system by turning the key (9, Fig. B)

(*): 20DD-20DC versions only



NOTE

In case of battery charger malfunction, contact the Advance Service Center.

For further information consult the Service Manual at the Advance Service Center.

SCRAPPING

Have the machine scrapped by a qualified scrapper.
Before scrapping the machine, remove the following components:

- Batteries
- Brush
- Pad
- Electrical motors
- Electronic boards

**CAUTION!**

The removed components must be disposed of properly according to the Law in force.

INTRODUCTION	2
BUT ET CONTENU DU MANUEL	2
DESTINATAIRES	2
CONSERVATION DU MANUEL	2
DONNEES D'IDENTIFICATION	2
AUTRES MANUELS DE REFERENCE	2
PIECES DE RECHANGE ET ENTRETIEN	2
MODIFICATIONS ET AMELIORATIONS	2
SECURITE	2
SYMBOLES UTILISES	2
INSTRUCTIONS GENERALES	2
DEBALLAGE	3
DESCRIPTION DE LA MACHINE	3
CAPACITES OPERATIONNELLES AUTOLAVEUSES MICROMAX™ 17B–20B/20DC–20DD	3
CARACTERISTIQUES TECHNIQUES	5
SCHEMAS ELECTRIQUES	6
PROTECTIONS ELECTRIQUES	6
ACCESSOIRES/OPTIONS	6
UTILISATION	7
CONTROLE/PREPARATION DES BATTERIES SUR UNE MACHINE NOUVELLE	7
INSTALLATION DES BATTERIES ET ETABLISSEMENT DU TYPE DE BATTERIE (WET OU GEL)	7
INSTALLATION/REPLACEMENT DE LA TETE	8
MISE EN MARCHE ET ARRET DE LA MACHINE	8
FONCTIONNEMENT DE LA MACHINE	9
VIDANGE RESERVOIRS	9
APRES L'UTILISATION DE LA MACHINE	9
INACTIVITE PROLONGEE DE LA MACHINE	9
PREMIERE PERIODE D'UTILISATION	9
ENTRETIEN	10
PLAN RECAPITULATIF D'ENTRETIEN PROGRAMME	10
NETTOYAGE DE L'EMBOUCHURE	10
CONTROLE/REPLACEMENT DES LAMELLES EN CAOUTCHOUC DE L'EMBOUCHURE	11
NETTOYAGE DES BROSSES/BROSSES CYLINDRIQUES	11
NETTOYAGE DES RESERVOIRS ET DE LA GRILLE D'ASPIRATION AVEC FLOTTEUR	11
NETTOYAGE DU FILTRE DE LA SOLUTION	11
CHARGEMENT DES BATTERIES	12
CONTROLE/REPLACEMENT FUSIBLES	12
INSTALLATION/DEPOSE DE LA TETE PORTE-BROSSES/PLATEAUX SUPPORT DISQUE OU DE LA TETE PORTE-BROSSES CYLINDRIQUES	13
FONCTIONS DE SECURITE	13
DEPISTAGE DES PANNES	13
MISE EN DECHARGE	14

INTRODUCTION

BUT ET CONTENU DU MANUEL

Ce manuel se propose de fournir à l'utilisateur toutes les informations nécessaires afin qu'il puisse utiliser la machine correctement et la gérer dans la manière la plus autonome et sûre. Il comprend des informations relatives à l'aspect technique, le fonctionnement, l'arrêt de la machine, l'entretien, les pièces de rechange et la sécurité.

Avant d'effectuer toute opération sur la machine, les opérateurs et les techniciens chargés de l'entretien doivent lire attentivement ce manuel. En cas de doutes sur la correcte interprétation des instructions, contacter un Service après-vente Advance pour avoir plus de renseignements.

DESTINATAIRES

Ce manuel s'adresse à l'opérateur aussi bien qu'aux techniciens préposés à l'entretien de la machine.

CONSERVATION DU MANUEL

Le manuel d'emploi et d'entretien doit être gardé près de la machine, dans une enveloppe spéciale et, surtout, loin de liquides et de tout ce qui pourrait compromettre l'état de lisibilité.

DONNEES D'IDENTIFICATION

Le numéro de série et le modèle de la machine sont marqués sur la plaque appliquée sur le réservoir et lisible de l'extérieur (1, Fig. C).

L'année de fabrication de la machine est indiquée après le code de la date sur le numéro de série de la machine (A05 signifie janvier 2005).

Ces informations sont nécessaires lors de la commande des pièces de rechange de la machine. Utiliser l'espace ci-dessous pour noter les données d'identification de machine pour une référence future.

Modèle MACHINE

Numéro de série de la MACHINE

AUTRES MANUELS DE REFERENCE

- Manuel d'utilisation du chargeur de batterie électronique, qui constitue une partie intégrante de ce manuel.
- En outre les suivants manuels sont disponibles :
 - Manuel d'entretien consultable auprès des Services après-vente Advance.
 - Catalogue des pièces de rechange, livré avec la machine.

PIECES DE RECHANGE ET ENTRETIEN

Pour toute nécessité concernant l'utilisation, l'entretien extraordinaire et les réparations, si nécessaires, il faut s'adresser au personnel qualifié ou directement aux Services après-vente Advance. Il ne faut utiliser que de pièces de rechange et accessoires originaux.

Pour l'assistance ou la commande de pièces de rechange et accessoires, contacter Advance en spécifiant toujours le modèle et le numéro de série.

MODIFICATIONS ET AMELIORATIONS

Notre entreprise vise à un constant perfectionnement de ses produits et se réserve le droit d'effectuer des modifications et des améliorations, si nécessaires, sans l'obligation de sa part de modifier les machines déjà vendues.

Il est entendu que toute modification et/ou addition d'accessoires doit toujours être approuvée et réalisée par le fabricant.

SECURITE

Nilfisk-Advance utilise la symbologie suivante pour signaler les conditions de danger potentielles. Lire toujours ces informations avec attention et prendre les précautions nécessaires pour protéger les personnes et les choses. Pour éviter tout accident la collaboration de l'opérateur de la machine est essentielle. Aucun programme de prévention des accidents du travail ne peut être efficace sans la totale collaboration de la personne directement responsable du fonctionnement de la machine. La plupart des accidents qui peuvent survenir dans une entreprise, pendant le travail ou les déplacements, sont dus à l'inobservance des plus simples règles de prudence. Un utilisateur attentif et prudent est la meilleure garantie contre les accidents du travail et se révèle indispensable pour compléter n'importe quel programme de prévention.

SYMBOLES UTILISES



DANGER !

Indique une situation dangereuse exposant l'opérateur au risque de blessures graves, voire mortelles.



ATTENTION !

Indique une situation exposant au risque de blessures ou de dommages matériels.



AVERTISSEMENT !

Indique un avertissement ou une remarque sur des fonctions clé ou utiles. Prêter la plus grande attention aux segments de texte marqués par ce symbole.



CONSULTATION

Le manuel doit être consulté avant toute opération.

INSTRUCTIONS GENERALES

Les avertissements et précautions spécifiques suivants informent sur les potentiels risques de blessures ou de dommages matériels.



DANGER !

- Débrancher la batterie au moyen du connecteur approprié avant d'effectuer toute opération d'entretien/réparation.
- Cette machine doit être utilisée exclusivement par un personnel formé et autorisé. L'utilisation de la machine est interdite aux enfants et aux personnes handicapées.
- Tenir les étincelles, les flammes et les matériaux incandescents à distance des batteries. Des gaz potentiellement explosifs fuient pendant l'utilisation ordinaire.
- Ne pas porter de bijoux lorsqu'on travaille près de composants électriques.

- Ne pas travailler sous la machine soulevée, sans des supports fixes de sécurité convenables.
- Ne pas opérer avec cette machine en présence de poudres, liquides ou vapeurs nuisibles, dangereux, inflammables et/ou explosifs.
- En chargeant les batteries un gaz hydrogène très explosif est produit. Garder le groupe réservoirs en position ouverte pendant le cycle de rechargement des batteries et effectuer l'opération exclusivement en milieu bien aérés et loin de flammes libres.

**ATTENTION !**

- Avant d'effectuer toute activité d'entretien/réparation, lire avec attention toutes les instructions qui concernent l'entretien/réparation.
- Avant d'utiliser le chargeur de batterie, s'assurer que la fréquence et la tension indiquées sur la plaque avec numéro de série coïncident avec la tension du réseau.
- Prendre les précautions convenables afin que les cheveux, les bijoux, les parties non adhérentes des vêtements ne soient pas capturés par les parties en mouvement et les parties du système d'aspiration de la machine.
- Ne pas fumer pendant le chargement des batteries.
- Ne pas laisser la machine sans surveillance et s'assurer que la machine ne peut pas bouger de façon autonome.
- Ne pas utiliser sur des surfaces dont le gradient est supérieur au gradient indiqué sur la machine.
- Ne pas laver la machine avec des jets d'eau directs ou sous pression ou avec des substances corrosives.
- Ne pas utiliser la machine dans des milieux particulièrement poussiéreux.
- Pendant l'utilisation de cette machine, faire attention à sauvegarder l'intégrité des autres personnes.
- La température de stockage doit être comprise entre 0°C et +40°C (+32°F et +104°F).
- La température de travail de la machine doit être comprise entre 0°C et 40°C (+32°F et +104°F)
- L'humidité doit être comprise entre 30% et 95%.
- Protéger toujours la machine du soleil, pluie et d'autres intempéries, et pendant le fonctionnement et en état d'arrêt.
- Ne pas utiliser la machine comme moyen de transport.
- Ne pas faire travailler la brosse lorsque la machine est arrêtée pour ne pas endommager le sol.
- En cas d'incendie utiliser un extincteur à poudre. Ne pas utiliser d'eau.
- Ne pas heurter contre des étagères ou des échafaudages, en particulier en présence de danger de chute d'objets.
- Ne pas altérer pour aucune raison les protections prévues pour la machine, respecter scrupuleusement les instructions prévues pour l'entretien ordinaire.
- Ne pas enlever ou altérer les plaquettes placées sur la machine par le fabricant.
- S'assurer que les éventuelles anomalies de fonctionnement de la machine ne dépendent pas du manque d'entretien. En cas contraire demander l'intervention de personnel autorisé ou du Service après-vente.
- En cas de remplacement de pièces, demander les pièces de rechange D'ORIGINE à un concessionnaire ou revendeur autorisé.
- Afin de garantir la sécurité et le bon fonctionnement de la machine, faire effectuer l'entretien programmé prévu

par le chapitre spécifique de ce manuel par le personnel autorisé ou par un Service après-vente autorisé.

- La machine doit être mise en décharge correctement, à cause de la présence de matériaux toxiques (acide des batteries, huile etc.), sujets à des lois qui prévoient l'écoulement auprès de centres spéciaux (voir à ce propos le chapitre Mise en décharge).
- En conditions d'emploi conformes aux indications d'utilisation correcte, les vibrations ne provoquent pas de situations de danger. Le niveau de vibrations de la machine est inférieur à 2,5 m/s².
- Ne pas laisser entrer d'objets dans les ouvertures. Ne pas utiliser la machine si les ouvertures sont bloquées ; garder les ouvertures de la machine libres de poussière, filasse, poils et tout autre corps étranger à même de réduire le flux d'air.
- Cette machine n'est pas approuvée pour l'utilisation sur les rues publiques.
- Faire attention pendant les déplacements de la machine en conditions de températures inférieures au point de congélation. L'eau présente dans le réservoir de récupération ou dans les tuyaux pourrait se congeler et endommager sérieusement la machine.
- Utiliser les brosses et les disques équipés et ceux spécifiés par les manuels d'instructions. L'utilisation d'autres brosses ou disques peut compromettre la sécurité.

DEBALLAGE

Pour déballer la machine respecter attentivement les instructions indiquées sur l'emballage.

Lors de la livraison de la machine, contrôler attentivement que l'emballage et la machine n'ont pas été endommagés pendant le transport. Si le dommage est évident, garder l'emballage de façon qu'il puisse être examiné par le transporteur qui l'a livré. Le contacter immédiatement pour remplir une demande de dommages-intérêts.

Contrôler que les composants suivants se trouvent toujours avec la machine :

1. Documentation technique :
 - Mode d'emploi et d'entretien
 - Manuel d'utilisation du chargeur de batterie électronique
 - Catalogue de pièces de rechange
2. N° 1 fusible lamellaire

DESCRIPTION DE LA MACHINE**CAPACITES OPERATIONNELLES
AUTOLAVEUSES MICROMAX™ 17B–
20B/20DC–20DD**

L'autolaveuse est utilisée pour le nettoyage (lavage et séchage) de sols lisses et solides, en milieux civils et industriels, en conditions de complète sécurité, par un opérateur qualifié.

L'autolaveuse ne doit pas être utilisée pour le lavage de tapis ou moquettes.

CONVENTIONS

Toutes les références à en avant, en arrière, avant, arrière, droite ou gauche indiquées dans ce manuel doivent être considérées comme référées à l'opérateur en position de conduite, les mains sur le guidon (2, Fig. C).

Tableau de bord**(Voir Fig. B)**

1. Tableau de bord
2. Témoin lumineux de batterie chargée (vert)
3. Témoin lumineux de batterie presque complètement déchargée (jaune)
4. Témoin lumineux de batterie déchargée (rouge)
5. Interrupteur de brosses/plateaux support disque/brosses cylindriques (*)
6. Interrupteur d'aspiration
7. Levier de réglage flux de solution
8. Vis de fixation du tableau de bord
9. Clé de mise en marche (*)
10. Leviers de commande de traction (*)
11. Régulateur de vitesse de traction (*)

(*) seulement pour modèles "20DD-20DC"

Vue extérieure arrière**(Voir Fig. C)**

1. Plaque avec numéro de série/données techniques
2. Guidon
3. Poignées de réglage inclinaison guidon
4. Porte-objets
5. Couvercle réservoirs
6. Roues arrière pivotantes
7. Roues avant sur essieu fixe
8. Brosses/plateaux support disque
9. Tête porte-brosses/plateaux support disque
10. Embouchure
11. Boutons de fixation embouchure à la machine
12. Bouton de réglage équilibrage embouchure
13. Lamelle en caoutchouc avant embouchure
14. Lamelle en caoutchouc arrière embouchure
15. Crochet de fixation lamelle en caoutchouc arrière
16. Ecrous papillons
17. Tuyau de vidange eau de récupération
18. Tuyau de vidange solution
19. Levier de soulèvement embouchure
20. Pédale de soulèvement brosses
21. Filtre solution
22. Fiche chargeur de batterie
23. Câble chargeur de batterie
24. Clé en dotation
25. Connecteur à poignée (rouge) de branchement des batteries
26. Tuyau d'aspiration embouchure
27. Repères pour la visualisation de l'état de remplissage réservoir de solution
28. Robinet de la solution
29. Bande en caoutchouc
30. Spoiler avant tête porte-brosses/plateaux support disque
31. Brosses cylindriques
32. Tête porte-brosses cylindriques
33. Spoiler avant tête porte-brosses cylindriques
34. Rouleaux anti-choc

Vue sous couvercle des réservoirs**(Voir Fig. G)**

1. Couvercle réservoirs (ouvert)
2. Joint d'étanchéité couvercle réservoirs
3. Orifice de compensation
4. Réservoir eau de récupération
5. Réservoir solution
6. Orifice d'aspiration eau de récupération
7. Grille d'aspiration avec exclusion automatique à flotteur
8. Trou de vidange eau de récupération
9. Logement joint d'étanchéité
10. Dispositifs de retenue grille d'aspiration

11. Flotteur
12. Point du raccord du joint d'étanchéité
13. Surface d'accouplement du joint d'étanchéité

Vue avant**(Voir Fig. J)**

1. Vis de fixation côté groupe réservoirs
2. Groupe réservoirs (ouvert)
3. Moteur d'aspiration
4. Batteries
5. Bouchons de batteries
6. Chargeur de batterie électronique
7. Témoin lumineux de batterie chargée
8. Sélecteur de batterie au plomb (WET) ou au gel (GEL) (sur le chargeur de batterie électronique)
9. Boîtier des composants électriques
10. Schéma d'installation batteries
11. Boîtier des composants électriques système de traction (*)
12. Moteur des brosses/plateaux support disque
13. Bouton de réglage de vitesse de marche avant machine, avec brosse/plateau support disque
14. Bouton de réglage de marche avant machine, avec brosse/plateau support disque
15. Tête porte-brosses/plateaux support disque
16. Brosse
17. Plateau support disque
18. Disque
19. Tuyau solution aux brosses/brosses cylindriques
20. Connecteur de branchement des moteurs des brosses/plateaux support disque
21. Goupille tête
22. Goupille tête
23. Bloc de fixation
24. Moteur brosses cylindriques
25. Tête porte-brosses cylindriques
26. Brosses cylindriques
27. Portillon brosses cylindriques
28. Bouton du portillon brosses cylindriques
29. Conteneur déchets brosses cylindriques
30. Poignée de conteneur déchets
31. Spoiler avant tête porte-brosses/plateaux support disque
32. Spoiler avant tête porte-brosses cylindriques

(*) seulement pour modèles "20DD-20DC"

CARACTERISTIQUES TECHNIQUES

Dimensions	17B	20B	20DD	20DC
Largeur de nettoyage	430 mm (17 in)	508 mm (20 in)		
Largeur embouchure	770 mm (30,3 in)			
Largeur machine sans embouchure	492 mm (19,3 in)	524 mm (20,6 in)	585,5 mm (23,0 in)	
Hauteur machine avec guidon soulevé	1.073 mm (42,2 in)			
Hauteur machine avec guidon baissé	943 mm (37,1 in)			
Longueur machine avec guidon soulevé	1.187 mm (46,7 in)	1.242 mm (48,9 in)	1.285 mm (50,5 in)	1.220 mm (48,0 in)
Longueur machine avec guidon baissé	1.040 mm (40,9 in)	1.180 mm (46,5 in)		1.115 mm (43,8 in)
Diamètre brosse/plateau support disque	430 mm (17 in)	508 mm (20 in)		—
Diamètre brosses cylindriques	—			110 mm (4,33 in)
Longueur brosses cylindriques	—			485 mm (19,0 in)
Pente maximum	2%			
Capacité réservoir de récupération	36 litres (9,6 gal)			
Contenance réservoir de solution	36 litres (9,6 gal)			
Réglage du flux de la solution	de 0 à 1,75 litres (de 0 à 0,46 gal) par minute			
Diamètre roues avant	170 mm (6,7 in)			
Pression spécifique au sol roues avant	Inférieure à 0,5 N/mm ²			
Diamètre roues arrière	80 mm (3,1 in)			
Poids net (sans batteries et avec réservoirs vides)	87,2 Kg (191,8 lb)	89,5 Kg (196,9 lb)	97,5 Kg (214,5 lb)	98,5 Kg (216,7 lb)
Puissance moteur brosses/plateaux support disque	520 W			—
Puissance moteur brosses cylindriques	—			400 W
Vitesse brosses/plateaux support disque	165 tr/min			—
Vitesse brosses cylindriques	—			570 tr/min
Pression brosses/plateaux support disque	27 Kg (59,4 lb)	29,5 Kg (64,9 lb)		—
Pression brosses cylindriques	—			30,5 Kg (67,1 lb)
Puissance moteur aspiration	380 W			
Flux d'air max.	32,5 litres/sec (68,4 cfm)			
Capacité d'aspiration	1.246 mmH ₂ O (47,4 inH ₂ O)			
Puissance moteur traction	—		130 W	
Vitesse de traction (variable)	0 - 5,2 Km/h (0 - 3,2 mph)			
Niveau pression acoustique (au poste de travail) EN 3744	65 dB(A)			
Batteries standard	2x12V 105 Ah WET		2x12V 130 Ah WET	
Tension nominale batteries	24V			
Dimensions logement batteries	350x350x300 mm (13,8 x13,8x11,8 in)			
Niveau de protection	IPX4			
Homologation ETL	Oui			

SCHEMAS ELECTRIQUES

Schémas électriques pour équipements optionnels différents (voir Fig. K et L).

CH1	Chargeur de batterie
C1	Connecteur de batterie
EB1	Carte électronique (CFBA430)
EB2	Carte LED (CFBALED)
EB3	Carte électronique de traction
ES1	Interrupteur électromagnétique brosse
ES2	Interrupteur électromagnétique d'aspiration
EV1	Electrovanne eau
F1	Fusible brosse (50A)
F2	Fusible aspiration (40A)
F3	Vanne eau et fusible électronique (5A)
F4	Fusible de traction (30A)
IS1	Isolateur négatif
IS2	Isolateur positif
K1	Dispositif de démarrage à froid
M1	Moteur de brosses
M2	Moteur d'aspiration
M3	Moteur de traction
R1	Régulateur vitesse de traction
SW1	Interrupteur de brosses
SW2	Interrupteur d'aspiration
SW3	Micro-interrupteur commande de traction
SW4	Micro-interrupteur moteur de traction

Codes des couleurs

BK	Noir
BU	Bleu
BN	Marron
GN	Vert
GY	Gris
OG	Orange
PK	Rose
RD	Rouge
VT	Violet
WH	Blanc
YE	Jaune

PROTECTIONS ELECTRIQUES

Fusibles

Fusible de sécurité brosse (50 A) : (1, Fig. E)

Fusible d'aspiration (40 A) : (2, Fig. E)

Fusible électrovanne (5 A) : (3, Fig. E)

Fusible de traction (30 A) : (8, Fig. E) (*)

Fusible de protection carte électronique (2A) : (9, Fig. E) (*)

(*) seulement pour modèles "20DD-20DC"

Système électronique de protection contre la surcharge du moteur de brosses

Ce système fonctionne lorsque le moteur de la brosse est surchargé.

Le fonctionnement du système est signalé par le clignotement simultané des trois témoins lumineux (2, 3, 4 Fig. B); après quelques secondes le moteur de la brosse s'arrête.

Pour le remettre en fonction, il est nécessaire d'éliminer la cause de la surcharge, qui peut être :

- la brosse est trop pressée sur le sol ;
- la brosse est bloquée par la rugosité du sol ou par un corps étranger ;
- la rotation de la brosse est ralentie par la saleté, des cordes ou des chiffons autour de son arbre de rotation ;
- la friction entre la brosse et le sol est excessive [augmenter la quantité de solution au moyen du levier de réglage approprié (7 Fig. B)].

Une fois que la cause de la surcharge a été éliminée, remettre à zéro le système en opérant selon les indications suivantes :

- (pour modèles 20B) éteindre la machine en portant les interrupteurs (5 et 6, Fig. B) en position "0" ;
- (pour modèles 20DD) éteindre la machine en portant la clé de mise en marche (9, Fig. B) en position "0".

Il est enfin possible de remettre en fonction la machine, comme prévu dans le chapitre spécifique.

Système électronique de protection contre la surcharge du moteur de traction (Seulement pour modèles 20DD-20DC)

Ce système fonctionne lorsque le moteur de traction est surchargé.

Le fonctionnement du système est signalé par l'arrêt du moteur de traction.

Après quelques minutes, il est possible de remettre à zéro le système en éteignant la machine en portant la clé de mise en marche (9, Fig. B) en position "0".

Il est enfin possible de remettre en fonction la machine, comme prévu dans le chapitre spécifique.

ACCESSOIRES/OPTIONS

Outre les composants présents dans le modèle standard, la machine peut être équipée avec les accessoires/options suivants, selon l'emploi spécifique de la machine :

1. Batteries au gel
2. Brosses de matériaux différents par rapport aux brosses standards
3. Disques de matériaux différents
4. Lamelles en caoutchouc embouchure résistantes à l'huile
5. Jupe de protection
6. Lamelles en caoutchouc naturel

Pour de plus amples informations relatives aux accessoires optionnels susmentionnés, s'adresser au revendeur agréé.

UTILISATION



ATTENTION !
Des plaquettes adhésives appliquées sur certains points de la machine indiquent :

- DANGER
- ATTENTION
- AVERTISSEMENT
- CONSULTATION

Au moment de la lecture de ce manuel, l'opérateur doit bien comprendre le sens des symboles représentés sur les plaquettes.

Ne pas couvrir les plaquettes et les remplacer immédiatement en cas d'endommagement.

CONTROLE/PREPARATION DES BATTERIES SUR UNE MACHINE NOUVELLE



ATTENTION !

- Les composants électriques de cette machine peuvent être sérieusement endommagés si les batteries ne sont pas installées et branchées de façon correcte. Les batteries doivent être installées exclusivement par le personnel qualifié. Régler la carte électronique de machine et le chargeur de batterie intégré en fonction du type de batteries utilisé (au plomb ou au gel).
- Contrôler les batteries avant l'installation pour vérifier qu'elles ne sont pas endommagées.
- Débrancher le connecteur des batteries ou la fiche du chargeur de batterie.
- Déplacer les batteries avec attention.
- S'assurer que les câbles du chargeur de batterie sont branchés avec la polarité correcte aux bornes de la batterie.
- Installer les protections des bornes des batteries livrées avec la machine.

La machine requiert deux batteries de 12 V, branchées en suivant le schéma (10, Fig. J).

La machine peut être fournie selon un des modèles suivants :

- a) Avec batteries (au plomb ou au gel) déjà installées sur la machine et prêtes à l'emploi.**
1. Vérifier que les batteries sont branchées à la machine au moyen du connecteur (25, Fig. C).
 2. Mettre la machine en marche au moyen des interrupteurs de brosses et d'aspiration (5 et 6, Fig. B). Si le témoin lumineux vert (2, Fig. B) s'allume, les batteries sont prêtes à l'emploi. Si les témoins lumineux jaune ou rouge (3 ou 4, Fig. B) s'allument, il est nécessaire d'effectuer le chargement des batteries (voir procédure au chapitre Entretien).
- b) Batteries au plomb installées sur la machine, mais sans l'électrolyte liquide.**
1. Extraire la clé en dotation (24, Fig. C) du logement et dévisser la vis de fixation (1, Fig. J) du groupe réservoirs.
 2. Saisir le guidon (2, Fig. C) et, avec soin, soulever le groupe réservoirs (2, Fig. J).
 3. Enlever les bouchons (5, Fig. J) de batteries.



ATTENTION !

Faire particulièrement attention pendant l'utilisation d'acide sulfurique, à cause de sa corrosivité. En cas de contact avec la peau ou les yeux, laver et rincer abondamment à l'eau et consulter un médecin.

Les batteries doivent être remplies dans un milieu bien aéré.

Utiliser les gants de protection.

4. Remplir les éléments de la batterie avec acide sulfurique pour batteries (densité de 1,27 à 1,29 Kg à 25°C) selon les instructions spécifiées dans le manuel d'emploi des batteries.
La quantité correcte d'acide sulfurique à insérer est indiquée dans le manuel d'emploi des batteries.
 5. Afin d'éviter d'endommager le sol à nettoyer, sécher avec un chiffon l'eau et l'acide qui se trouvent sur la partie supérieure des batteries après la charge.
 6. Laisser reposer les batteries pendant quelques minutes et remplir les éléments avec solution d'acide sulfurique, selon les instructions spécifiques indiquées dans le manuel d'emploi des batteries.
 7. Effectuer le chargement des batteries (voir procédure au paragraphe Entretien).
- c) Sans batteries**
1. Acheter des batteries adéquates [voir paragraphe Caractéristiques Techniques et le schéma des installations possibles (10, Fig. J)]. S'adresser aux revendeurs de batteries qualifiés pour le choix et l'installation.
 2. Installer et configurer les batteries (WET ou GEL) et le chargeur de batterie en fonction du type de batterie choisi, comme décrit au paragraphe suivant.

INSTALLATION DES BATTERIES ET ETABLISSEMENT DU TYPE DE BATTERIE (WET OU GEL)

En fonction du type de batterie choisi (au plomb ou au gel), il est nécessaire d'effectuer l'établissement relatif soit de la carte électronique de machine soit du chargeur de batterie, en opérant selon les indications suivantes :

Etablissement machine

1. S'assurer que le connecteur de batterie (25, Fig. C) est complètement débranché.
 2. Extraire la clé en dotation (24, Fig. C) du logement et dévisser la vis de fixation (1, Fig. J) du groupe réservoirs.
 3. Saisir le guidon (2, Fig. C) et, avec soin, soulever le groupe réservoirs (2, Fig. J).
 4. La machine est réglée en usine pour batteries au plomb (WET). Si cet établissement correspond au type de batterie acheté, passer au point 8, autrement exécuter les opérations aux points 5, 6, 7.
 5. Dévisser les vis (4, Fig. E) et extraire avec soin le couvercle (5) du boîtier des composants électriques en le faisant glisser vers le haut.
 6. Déplacer le micro-interrupteur (6, Fig. E) vers le haut sur la position GEL.
- ATTENTION !**
Ne pas déplacer l'interrupteur adjacent (7, Fig. E).
7. Repositionner en place le couvercle (5, Fig. E) du boîtier des composants électriques et visser les vis (4).



ATTENTION !

Ne pas déplacer l'interrupteur adjacent (7, Fig. E).

7. Repositionner en place le couvercle (5, Fig. E) du boîtier des composants électriques et visser les vis (4).

Etablissement chargeur de batterie

- Positionner le sélecteur (8, Fig. J) sur WET pour batterie au plomb ou sur GEL pour batterie au gel.

Installation et chargement des batteries

- Installer les batteries sur la machine en suivant le schéma (10, Fig. J).
- Charger les batteries (voir procédure au chapitre Entretien).



REMARQUE

Connecter le chargeur de batterie aux batteries pour mettre en fonction la machine.

INSTALLATION/REPLACEMENT DE LA TÊTE

Il est possible d'installer la tête porte-brosses/plateaux support disque (9, Fig. C) aussi bien que la tête des brosses cylindriques (32) dans les modèles 20DC et 20DD.

Voir le chapitre Entretien pour l'installation/remplacement.

Installation/remplacement des brosses ou des plateaux support disque

- Sur la machine avec la tête porte-brosses/plateaux support disque (9, Fig. G), il est possible d'installer la brosse (16, Fig. J) ou le plateau support disque (17) avec le disque (18) en fonction du type de sol à nettoyer.
- Soulever la tête porte-brosses/plateaux support disque (9, Fig. C) au moyen de la pédale (20).
- Positionner la brosse/plateau support disque (16/17, Fig. J) sous la tête porte-brosses/plateaux support disque.
- Baisser la tête porte-brosses/plateaux support disque (9, Fig. C) au moyen de la pédale (20).
- Appuyer pendant quelques secondes sur l'interrupteur de brosses (5, Fig. B) pour permettre l'enclenchement de la tête porte-brosses/plateaux support disques.

Installation des brosses cylindriques

- Soulever la tête porte-brosses cylindriques (32, Fig. C) au moyen de la pédale (20).
- Tourner la clé de contact (9, Fig. B) en position "0" et l'enlever.
- Déposer les boutons (28, Fig. J) et les portillons (27) en les baissant et en appuyant sur le bouton.
- Insérer les brosses cylindriques (26, Fig. J). Il est possible d'insérer les brosses cylindriques de chaque côté.
- Reposer les portillons (27, Fig. J) et les fixer à l'aide des boutons (28).

Installation de l'embouchure

- Positionner en place l'embouchure (10, Fig. C) et la fixer par les boutons (11), puis relier le tuyau flexible (26) à l'embouchure.
- Au moyen du bouton (12, Fig. C) régler l'embouchure de façon que la lamelle en caoutchouc arrière (14) touche le sol sur toute sa longueur et que la lamelle en caoutchouc avant (13) se trouve légèrement détachée du sol.

Réglages

- Régler le guidon (2, Fig. C) au moyen des poignées (3), selon les propres commodités.

Remplissage réservoir de la solution

- Ouvrir le couvercle (1, Fig. G) du réservoir.
- Remplir le réservoir (5, Fig. G) d'une solution adéquate au nettoyage à effectuer.

Au moyen des repères numérotés (27, Fig. C) il est possible de contrôler la quantité de solution dans le réservoir.

Ne jamais remplir complètement le réservoir de la solution mais laisser toujours quelques centimètres libres du bord.

Respecter toujours les instructions sur la dilution indiquées sur l'étiquette du conteneur du produit chimique utilisé pour la solution.

La température de la solution ne doit jamais être supérieure à 40°C (100°F).



AVERTISSEMENT !

Utiliser exclusivement des détergents liquides peu mousseux et non inflammables, adéquats pour la machine.

MISE EN MARCHE ET ARRÊT DE LA MACHINE

Mise en marche

- Préparer la machine comme décrit dans le paragraphe précédent.
- Baisser l'embouchure (10, Fig. C) au moyen du levier (19).
- Baisser la brosse (8, Fig. C) au moyen de la pédale (20).
- Positionner le levier de réglage du flux de solution (7, Fig. B) dans la position considérée la plus adéquate en fonction du type de nettoyage à effectuer.
- Mettre la machine en marche au moyen des interrupteurs de brosses et d'aspiration (5 et 6, Fig. B), tout en gardant la main sur le guidon (2, Fig. C).



REMARQUE

Si le témoin lumineux vert (2, Fig. B) s'allume, les batteries sont prêtes pour l'utilisation. Si le témoin lumineux jaune ou le témoin lumineux rouge (3 ou 4, Fig. B) s'allume, charger la batterie avant de commencer le nettoyage (voir procédure au chapitre Entretien).

Arrêt de la machine

- Porter les interrupteurs de brosses et d'aspiration (5 et 6, Fig. B) en position "0".
- Soulever la brosse au moyen de la pédale (20, Fig. C).
- Soulever l'embouchure au moyen du levier (19, Fig. C).
- (seulement pour modèles 20DD) : Tourner la clé (9, Fig. B) en position "0".

FONCTIONNEMENT DE LA MACHINE

1. Mettre la machine en marche comme décrit dans le paragraphe précédent.
2. En gardant les mains sur le guidon (2, Fig. C) déplacer la machine et commencer le travail de lavage/séchage du sol.

(seulement pour modèles 20DD-20DC) : en appuyant sur les leviers (10, Fig. B) soit dans le sens des aiguilles d'une montre que dans le sens contraire aux aiguilles d'une montre, la machine effectue une translation en avant; la marche arrière n'est pas prévue.

Au moyen du régulateur (11, Fig. B) il est possible de régler la vitesse de translation.

Pour reculer la machine ou pour effectuer des courbes avec rayon de virage très étroit, il faut désactiver la commande de translation en relâchant les leviers (10, Fig. B).



AVERTISSEMENT !

Afin d'éviter d'endommager la surface du sol à nettoyer, lorsque la machine reste dans la même position, arrêter la rotation des brosses au moyen de l'interrupteur (5, Fig. B).



AVERTISSEMENT !

Avant de soulever la brosse/plateau support disque, en arrêter la rotation au moyen de l'interrupteur (5, Fig. B).

Commandes de traction de la machine

3. En fonction du type de sol à nettoyer, ou de l'utilisation de la brosse ou du plateau support disque, la vitesse de traction en avant et l'avance rectilinéaire (et non vers droite ou vers gauche) de la machine peuvent se modifier.

Il est possible de les régler au moyen de deux boutons (13 et 14, Fig. J) positionnés sur la tête porte-brosses, en opérant selon les instructions suivantes :

- En tournant le bouton de réglage (14, Fig. J) dans le sens inverse aux aiguilles d'une montre, la machine se déplace vers gauche ; en le tournant dans le sens des aiguilles d'une montre, la machine se déplace vers droite.
- En tournant le bouton de réglage (13, Fig. J) dans le sens inverse aux aiguilles d'une montre, la vitesse de la machine augmente ; en le tournant dans le sens des aiguilles d'une montre la vitesse de la machine se réduit.

VIDANGE RESERVOIRS



REMARQUE

Un système d'exclusion automatique à flotteur (7, Fig. G) bloque le système d'aspiration lorsque le réservoir de récupération (4) est plein.

Le blocage du système d'aspiration peut être détecté grâce à l'augmentation soudaine de la fréquence du bruit du moteur d'aspiration.

Lorsque le réservoir de l'eau de récupération (4, Fig. G) est plein, le vider en opérant selon les instructions suivantes.

Vidange réservoir de l'eau de récupération

1. Arrêter la machine au moyen des interrupteurs de brosses et d'aspiration (5 et 6, Fig. B).
2. Soulever la brosse/plateau support disque au moyen de la pédale (20, Fig. C).
3. Soulever l'embouchure au moyen du levier (19, Fig. C).
4. Amener la machine dans la zone d'écoulement déterminée.

5. Vider le réservoir de récupération au moyen du tuyau (17, Fig. C). A la fin du nettoyage, rincer le réservoir avec de l'eau propre.

Vidange réservoir de la solution

6. Exécuter les points de 1 à 4.
7. Vider le réservoir de solution au moyen du tuyau (18, Fig. C). A la fin du nettoyage, rincer le réservoir avec de l'eau propre.

Vidange du conteneur déchets des brosses cylindriques (seulement pour tête porte-brosses cylindriques)

8. Arrêter la machine au moyen des interrupteurs de brosses et d'aspiration spécifiques (5 et 6, Fig. B).
9. La tête porte-brosses cylindriques (25, Fig. J) baissée, déposer le conteneur déchets (29) en le tirant latéralement à l'aide de la poignée (30).
10. Vider le conteneur déchets (29, Fig. J), puis l'installer et engager les dispositifs de retenue relatifs.

APRES L'UTILISATION DE LA MACHINE

Le travail effectué, avant de laisser la machine :

1. Déposer la brosse/plateau support disque comme suit :
 - **Brosse/plateau support disque** : la brosse/plateau support disque soulevé, porter l'interrupteur de brosses (5, Fig. B) en position "I" ; après quelques secondes, porter à nouveau l'interrupteur en position "0", en relâchant la brosse/plateau support disque.
 - **Brosses cylindriques** : la tête porte-brosses cylindriques soulevée, dévisser les boutons (28, Fig. J) et déposer les portillons (27) en les baissant et en appuyant sur les boutons. Déposer les brosses cylindriques (26, Fig. J). Reposer les portillons (27, Fig. J) et visser les boutons (28).
2. Vider les réservoirs (4 et 5, Fig. G) et le conteneur déchets (29, Fig. J) en suivant les instructions au paragraphe précédent.
3. Effectuer les opérations d'entretien prévues après l'utilisation de la machine (voir chapitre Entretien).
4. Garder la machine dans un lieu sec et propre, avec la brosse et l'embouchure déposés ou soulevés.

INACTIVITE PROLONGEE DE LA MACHINE

Si on ne prévoit pas d'utiliser la machine pendant plus de 30 jours, il est convenable d'effectuer les opérations suivantes :

1. Effectuer les opérations prévues dans le paragraphe Après l'utilisation de la machine.
2. Débrancher le connecteur (25, Fig. C) de la batterie.
3. Débrancher la borne positive (+) de la batterie directement du pôle positif (+) de la batterie.

PREMIERE PERIODE D'UTILISATION

Après la première période d'utilisation (les 8 premières heures), il est nécessaire de contrôler le serrage des dispositifs de fixation et de connexion ; vérifier que les parties visibles sont intactes et sans pertes.

ENTRETIEN

La sécurité et le bon fonctionnement de la machine sont garantis par un entretien soigné et régulier.

Le plan récapitulatif d'entretien programmé est reporté ci-dessous. Les périodicités indiquées peuvent subir des variations en fonction de conditions de travail particulières, à définir par le responsable de l'entretien.



ATTENTION !

Les opérations doivent être effectuées avec la machine arrêtée et avec la batterie débranchée.

En outre, lire attentivement toutes les instructions du chapitre Sécurité avant d'effectuer les opérations d'entretien.

Toutes les opérations d'entretien programmé ou extraordinaire doivent être effectuées par un personnel qualifié ou par un Service après-vente autorisé.

Dans ce manuel seulement les procédés des opérations d'entretien les plus simples et les plus récurrentes sont indiqués.



REMARQUE

Pour les procédures des autres opérations d'entretien prévues par le plan récapitulatif d'entretien programmé, voir la publication spécifique manuel d'entretien, auprès des Services après-vente Advance.

PLAN RECAPITULATIF D'ENTRETIEN PROGRAMME

Opération	Quotidienne, après l'utilisation de la machine	Toutes les semaines	Tous les six mois	Tous les ans
Nettoyage de l'embouchure				
Contrôle (et remplacement) des lamelles en caoutchouc de l'embouchure				
Nettoyage des brosses/brosses cylindriques				
Nettoyage des réservoirs et de la grille d'aspiration avec flotteur				
Nettoyage du filtre de la solution				
Chargement des batteries				
Contrôle du niveau du liquide des batteries au plomb (WET)				
Contrôle serrage des vis et des écrous			(1)	
Contrôle ou remplacement des brosses (ou charbons) du moteur électrique des brosses				(2)
Contrôle ou remplacement des brosses (ou charbons) du moteur électrique d'aspiration				(2)
Contrôle ou remplacement des brosses (ou charbons) du moteur électrique de traction (*)				(2)
Graisser les roulements de l'arbre de traction (*)				
Contrôle et réglage des courroies de transmission des moteurs des brosses cylindriques (**)			(2)	

(1): et après les 8 premières heures de travail

(2): pour ces opérations d'entretien, s'adresser auprès des Services après-vente Advance

(*): seulement pour modèles 20DD-20DC

(**): Seulement pour tête porte-brosses cylindriques

NETTOYAGE DE L'EMBOUCHURE



REMARQUE

Pour un bon séchage, l'embouchure doit être propre et les lamelles en caoutchouc doivent être en bon état.



AVERTISSEMENT !

L'utilisation de gants de travail est conseillée pendant le nettoyage de l'embouchure à cause de la présence possible de déchets tranchants.

- Porter la machine sur un sol horizontal.
- Contrôler que les interrupteurs (5 et 6, Fig. B) sont en position "0".
- Baisser l'embouchure (10) au moyen du levier (19, Fig. C).
- Déconnecter le tuyau d'aspiration (26, Fig. C) de l'embouchure.
- Desserrer les boutons (11, Fig. C) et déposer l'embouchure (10).
- Laver et nettoyer l'embouchure, en particulier nettoyer les compartiments (1, Fig. D) et l'orifice (2) de la saleté et des déchets. Contrôler que la lamelle en caoutchouc avant (3) et la lamelle en caoutchouc arrière (4) sont intactes et qu'elles ne présentent pas de coupures ou de lacérations ; en cas contraire, les remplacer (voir la procédure au paragraphe suivant).
- Pour la repose, procéder dans l'ordre inverse de la dépose.

CONTROLE/REPLACEMENT DES LAMELLES EN CAOUTCHOUC DE L'EMBOUCHURE

- Nettoyer l'embouchure comme décrit dans le paragraphe précédent.
- Contrôler que les bords (5, Fig. D) des lamelles en caoutchouc avant et arrière (12) se posent simultanément sur le plan, et en toute leur longueur ; en cas contraire, régler leur hauteur en procédant selon les instructions suivantes :
 - régler la lamelle en caoutchouc arrière (4) après avoir décroché le dispositif de retenue (6) et avoir desserré les écrous papillons (7) ; serrer les écrous et puis raccrocher le dispositif de retenue ;
 - régler la lamelle en caoutchouc avant (3) après avoir desserré les écrous (8) et puis serrer les écrous.
- Contrôler que la lamelle en caoutchouc avant (3) et la lamelle en caoutchouc arrière (4) sont intactes et qu'elles ne présentent pas de coupures ou de lacérations ; en cas contraire, les remplacer selon les instructions suivantes. Contrôler que l'arête avant (9) de la lamelle en caoutchouc arrière n'est pas usée ; en cas contraire, tourner la lamelle en caoutchouc en remplaçant l'arête usée avec une arête intacte. Si les autres arêtes sont usées aussi, remplacer la lamelle en caoutchouc, en suivant la procédure suivante.
 - Remplacer (ou tourner) la lamelle en caoutchouc arrière (4) après avoir décroché le dispositif de retenue (6), desserré les écrous papillons (7) et déposé la bande de retenue (10). Pour la repose, procéder dans l'ordre inverse de la dépose.
 - Remplacer la lamelle en caoutchouc avant (3) après avoir déposé les écrous (8) et la bande de retenue (11). Pour la repose, procéder dans l'ordre inverse de la dépose.
Après le remplacement (ou renversement) des lamelles en caoutchouc, régler leur hauteur comme décrit au point précédent.
- Reposer correctement le groupe embouchure (10, Fig. C) et visser les boutons (11).
- Connecter le tuyau d'aspiration (26, Fig. C) de l'embouchure (10).
- Si besoin est, régler le bouton d'équilibrage (12, Fig. C) de l'embouchure.

NETTOYAGE DES BROSSES/BROSSES CYLINDRIQUES



AVERTISSEMENT !

L'utilisation de gants de travail est conseillée pendant le nettoyage de la brosse à cause de la présence possible de déchets tranchants.

- Déposer la brosse comme prévu dans le chapitre Emploi.
- Nettoyer et laver la brosse avec eau et solution détergente.
- Contrôler que les poils des brosses sont intacts et non excessivement usés ; en cas contraire, remplacer les brosses.
- Sur la tête porte-brosses cylindriques, déposer le conteneur déchets (29, Fig. J) en le tirant latéralement à l'aide de la poignée (30).
Vider et laver le conteneur déchets, puis l'installer à nouveau en engageant les dispositifs de retenue.

NETTOYAGE DES RESERVOIRS ET DE LA GRILLE D'ASPIRATION AVEC FLOTTEUR

- Amener la machine dans la zone d'écoulement déterminée.
- Contrôler que les interrupteurs (5 et 6, Fig. B) sont en position "0".
- Soulever le couvercle (1, Fig. G).
- Nettoyer et laver à l'eau propre le couvercle (1, Fig. G), les réservoirs (4 et 5) et la grille (7) de la fermeture automatique d'aspiration.
Vider l'eau des réservoirs au moyen des tuyaux (17 et 18, Fig. C).
- Si besoin est, décrocher les dispositifs de retenue (10, Fig. G), ouvrir la grille (7), récupérer le flotteur (11), nettoyer soigneusement et reposer en place.
- Vérifier que le joint d'étanchéité (2, Fig. G) du couvercle des réservoirs est intact.



REMARQUE

Le joint d'étanchéité (2) permet la création d'une dépression dans le réservoir pour l'aspiration de l'eau de récupération.

Si besoin est, déposer le joint d'étanchéité (2, Fig. G) de son logement (9) et le remplacer. Pendant la repose du joint d'étanchéité nouveau, positionner son raccord (12) dans la zone (centrale arrière) indiquée sur la figure.

- Vérifier que toute la surface du périmètre (13) d'appui du joint d'étanchéité (2, Fig. G) est intacte et adéquate au fonctionnement du joint même.
- Contrôler que l'orifice de compensation (3, Fig. G) n'est pas obstrué, en cas contraire le nettoyer.



REMARQUE

L'orifice (3, Fig. G), en permettant la compensation de l'air dans l'interstice du couvercle, contribue à la création d'une dépression dans le réservoir.

- Refermer le couvercle (1, Fig. G).

NETTOYAGE DU FILTRE DE LA SOLUTION

- Tourner en fermeture le robinet de la solution (5, Fig. F). Au cas où la machine n'ait pas le robinet, il faut vider le réservoir (5, Fig. G) comme indiqué dans le paragraphe spécifique.
- Porter la machine sur un sol horizontal.
- Contrôler que les interrupteurs (5 et 6, Fig. B) sont en position "0".
- De dessous le côté inférieur droit de la machine, dévisser le couvercle transparent (1, Fig. F) et déposer le filet filtrant (2) ; les nettoyer et les reposer sur le support (3).



REMARQUE

Positionner correctement le filet filtrant (2) dans le siège (4) du support (3).

CHARGEMENT DES BATTERIES



REMARQUE

Charger les batteries lorsque les témoins lumineux jaune ou rouge (3 ou 4, Fig. B) s'allument, ou à la fin de chaque nettoyage. Garder les batteries chargées prolonge leur vie.



AVERTISSEMENT !

Lorsque les batteries sont déchargées, les recharger dès que possible, puisque cette condition réduit la vie des batteries mêmes. Contrôler la charge des batteries au moins une fois par semaine.



ATTENTION !

En chargeant les batteries un gaz hydrogène très explosif est produit. Charger exclusivement en milieu bien aérés et loin de flammes libres. Ne pas fumer pendant le chargement des batteries.

Garder le groupe réservoirs ouvert pendant le cycle de chargement des batteries.



ATTENTION !

Faire attention pendant le chargement des batteries, à cause de la possibilité de perte de petites quantités de liquide. Le liquide des batteries est corrosif. En cas de contact avec la peau ou les yeux, laver et rincer abondamment à l'eau et consulter un médecin.

1. Si équipée, vider l'eau des réservoirs (4 et 5, Fig. G) au moyen des tuyaux (17 et 18, Fig. C).
2. Porter la machine sur un sol horizontal.
3. Extraire la clé en dotation (24, Fig. C) du logement et dévisser la vis de fixation (1, Fig. J) du groupe réservoirs.



ATTENTION !

Faire attention pendant le chargement des batteries, à cause de la possibilité de perte de petites quantités de liquide. Le liquide des batteries est corrosif. En cas de contact avec la peau ou les yeux, laver et rincer abondamment à l'eau et consulter un médecin.

4. Saisir le guidon (2, Fig. C) et, avec soin, soulever le groupe réservoirs (2, Fig. J).
5. Exclusivement pour les batteries au plomb :
 - vérifier le niveau correct de l'électrolyte dans les batteries ; si besoin est, faire l'appoint au moyen des bouchons (5, Fig. J) ;
 - Laisser les bouchons (5) ouverts pour le chargement suivant ;
 - Si besoin est, nettoyer la surface supérieure des batteries.
6. Charger les batteries comme suit :

Chargement des batteries avec chargeur de batterie équipé sur la machine

1. Exclusivement pour les batteries au plomb :
 - vérifier le niveau correct de l'électrolyte dans les batteries ; si besoin est, faire l'appoint au moyen des bouchons (5, Fig. J) ;

- après l'appoint du niveau, fermer les bouchons (5) et, si besoin est, nettoyer la surface supérieure des batteries.

2. Brancher la fiche (22, Fig. C) du chargeur de batterie sur le réseau électrique (la tension et la fréquence de réseau doivent être compatibles avec les valeurs du chargeur de batterie, indiquées sur la plaque avec numéro de série de la machine).



REMARQUE

Lorsque le chargeur de batterie est branché sur le réseau, toutes les fonctions de la machine sont automatiquement exclues. Le témoin lumineux rouge (4, Fig. B) allumé fixe sur le tableau de bord indique que le chargeur de batterie est en train de charger les batteries.

3. Lorsque le témoin lumineux rouge (4, Fig. B) s'éteint, le cycle de chargement des batteries est terminé.
4. Après que le cycle de chargement est terminé, débrancher la fiche (22, Fig. C) du chargeur de batterie du réseau électrique et l'enrouler sur son logement situé sur la machine.
5. Saisir le guidon (2, Fig. C) et, avec soin, baisser à nouveau le groupe réservoirs (2, Fig. J).
6. Extraire la clé en dotation (24, Fig. C) du logement et dévisser la vis de fixation (1, Fig. J) du groupe réservoirs.
7. La machine est prête pour l'utilisation.



REMARQUE

Pour de plus amples informations relatives au fonctionnement du chargeur de batterie, se référer au manuel d'emploi spécifique.

CONTROLE/REPLACEMENT FUSIBLES

1. Débrancher le connecteur (25, Fig. C) de la batterie.
2. Vider l'eau des réservoirs (4 et 5, Fig. G) au moyen des tuyaux (17 et 18, Fig. C).
3. Extraire la clé en dotation (24, Fig. C) du logement et dévisser la vis de fixation (1, Fig. J) du groupe réservoirs.
4. Saisir le guidon (2, Fig. C) et, avec soin, soulever le groupe réservoirs (2, Fig. J).
5. seulement pour modèles 20DD : desserrer les vis (10, Fig. E) et enlever le couvercle (11).
6. seulement pour modèles 20DD-20DC : contrôler/remplacer les fusibles :
 - Fusible de traction (30A) : (8, Fig. E) ;
 - Fusible de protection carte électronique (2A) : (9, Fig. E).
7. seulement pour modèles 20DD : desserrer les écrous papillons (12, Fig. E) et déplacer latéralement le support avec la carte électronique de traction (13, Fig. E).
8. Dévisser les vis (4, Fig. E) et extraire avec soin le couvercle (5) du boîtier des composants électriques en le faisant glisser vers le haut.
9. Contrôler/remplacer les fusibles :
 - Fusible de sécurité brosse (50 A) : (1, Fig. E)
 - Fusible d'aspiration (40 A) : (2, Fig. E)
 - Fusible électrovanne (5 A) : (3, Fig. E)
10. Pour la repose, procéder dans l'ordre inverse de la dépose.

INSTALLATION/DEPOSE DE LA TETE PORTE-BROSSES/PLATEAUX SUPPORT DISQUE OU DE LA TETE PORTE-BROSSES CYLINDRIQUES



REMARQUE

Sur le modèle Micromax™ 20DD à partir du numéro de série 1812290 ou sur le modèle Micromax™ 20DC à partir du numéro de série 1812178, il est possible d'installer une tête porte-brosses/plateau support disque (9, Fig. C) ou une tête porte-brosses cylindriques (32) en suivant les instructions ci-dessous.

Dépose

1. Si équipée, vider l'eau des réservoirs (4 et 5, Fig. G) au moyen des tuyaux (17 et 18, Fig. C).
2. Porter la machine sur un sol horizontal.
3. Positionner la clé de contact (9, Fig. B) sur "0".
4. Débrancher le connecteur (25, Fig. C) de la batterie.
5. Extraire la clé en dotation (24, Fig. C) et dévisser la vis de fixation (1, Fig. J) du groupe réservoirs.
6. Saisir le guidon (2, Fig. C) et, avec soin, soulever le groupe réservoirs (2, Fig. J).
7. Déconnecter de la tête le tuyau pour le remplissage de la solution brosses (19, Fig. J).
8. Débrancher le connecteur (20, Fig. J) des moteurs.
9. Déposer les deux goupilles (21, Fig. J) avec les goujons et les rondelles relatifs.
10. Déposer la goupille (22, Fig. J) et la cale relative.
11. Déposer la tête porte-brosses/plateaux support disque (15, Fig. J) ou la tête porte-brosses cylindriques (25).
12. Pour installer une tête ou l'autre, démonter le spoiler (31, Fig. J) ou le spoiler (32) en dégageant les relatifs dispositifs de retenue intérieurs.

Installation

13. Pour la repose, procéder dans l'ordre inverse de la dépose.
 - La tête porte-brosses/plateaux support disque installée (15, Fig. J), positionner le bloc de fixation (23, Fig. J) comme indiqué sur la figure H (1).
 - La tête porte-brosses cylindriques installée (25, Fig. J), positionner le bloc de fixation (23, Fig. J) comme indiqué sur la figure I (1).
 - Pour modifier la position du bloc de fixation, déposer la goupille (2, Fig. H) avec le goujon (3) et la rondelle relatifs.



ATTENTION !

Positionner le bloc de fixation d'une façon pas correcte provoque une garde au sol incorrecte de la tête porte-brosses/plateaux support disque ou de la tête porte-brosses cylindriques.

FONCTIONS DE SECURITE

Le connecteur rouge (25, Fig. C) peut être utilisé en cas d'urgence pour arrêter toutes les fonctions de la machine. Si besoin est, extraire le connecteur au moyen de la poignée rouge.

DEPISTAGE DES PANNES

PROBLEME	CAUSE POSSIBLE
Les moteurs ne fonctionnent pas ; aucun témoin lumineux ne s'allume	Le connecteur de la batterie (25, Fig. C) est débranché
	Batteries complètement déchargées
Le moteur d'aspiration ne démarre pas	Fusible grillé
L'aspiration d'eau sale est insuffisante	Réservoir de récupération (4, Fig. G) plein
	Grille d'aspiration (7, Fig. G) obstruée ou flotteur bloqué en position fermée
	Le tuyau flexible (26, Fig. C) est déconnecté de l'embouchure
	L'embouchure (10, Fig. C) est sale ou les lamelles en caoutchouc de l'embouchure sont usées ou endommagées
Le flux de solution aux brosses est insuffisant	Le couvercle du réservoir n'est pas fermé correctement ou le joint d'étanchéité (2, Fig. G) est endommagé ou l'orifice de compensation (3, Fig. G) est obstrué
	Le filtre de la solution (2, Fig. F) est sale
L'embouchure laisse des traces	Le réservoir (5, Fig. G) est sale (l'orifice de sortie est obstrué)
	Les lamelles en caoutchouc de l'embouchure présentent des déchets
	Les lamelles en caoutchouc de l'embouchure sont usées, écaillées ou lacérées
La traction ne fonctionne pas (*)	L'embouchure n'est pas équilibré au moyen du bouton de réglage (12, Fig. C)
	Le connecteur de la batterie (25, Fig. C) est débranché
	Clé (9, Fig. B) en position "0"
	Le régulateur de vitesse (11, Fig. B) est complètement tourné dans le sens contraire aux aiguilles d'une montre
	Fusible de traction (8, Fig. E) grillé
	Anomalie de fonctionnement de la carte électronique pour surcharge ou surchauffe; attendre au moins 5 minutes avant de remettre à zéro le système en agissant sur la clé (9, Fig. B)

(*): seulement pour modèles 20DD-20DC



REMARQUE

En cas de panne du chargeur de batterie, s'adresser auprès d'un Service après-vente Advance.

Pour de plus amples informations, voir le manuel d'entretien auprès des Services après-vente Advance.

MISE EN DECHARGE

Effectuer la mise en décharge de la machine auprès d'un démolisseur qualifié.

Avant la mise à la décharge de la machine, il est nécessaire de déposer les éléments suivants :

- Batteries
- Brosse
- Disque
- Moteurs électriques
- Cartes électroniques



AVERTISSEMENT !

Les éléments déposés doivent être envoyés aux collectes sélectives, conformément aux normes d'hygiène de l'environnement en vigueur.

INTRODUCCIÓN	2
FINALIDAD Y OBJETO DE ESTE MANUAL	2
DESTINATARIOS	2
CONSERVACIÓN DEL MANUAL	2
DATOS DE IDENTIFICACIÓN	2
OTROS MANUALES DE REFERENCIA	2
PIEZAS DE REPUESTO Y MANTENIMIENTO	2
MODIFICACIONES Y MEJORAS	2
SEGURIDAD	2
SÍMBOLOS	2
INSTRUCCIONES GENERALES	2
DESEMBALAJE	3
DESCRIPCIÓN DE LA MÁQUINA	3
CARACTERÍSTICAS DE FUNCIONAMIENTO DE LA FREGADORA AUTOMÁTICA MICROMAX™ 17B–20B/20DC–20DD	3
DATOS TÉCNICOS	5
ESQUEMAS ELÉCTRICOS	6
PROTECCIONES ELÉCTRICAS	6
ACCESORIOS/OPCIONES	6
USO	7
CONTROL/PREPARACIÓN DE LAS BATERÍAS EN LA MÁQUINA NUEVA	7
INSTALACIÓN DE LAS BATERÍAS Y REGULACIÓN DEL TIPO DE BATERÍA (WET O GEL)	7
INSTALACIÓN/SUSTITUCIÓN DEL CABEZAL	8
PUESTA EN MARCHA Y PARADA DE LA MÁQUINA	8
FUNCIONAMIENTO DE LA MÁQUINA	9
VACIADO DE LOS DEPÓSITOS	9
DESPUÉS DE LA UTILIZACIÓN DE LA MÁQUINA	9
PERIODO DE LARGA INACTIVIDAD DE LA MÁQUINA	9
PRIMER PERIODO DE UTILIZACIÓN	9
MANTENIMIENTO	10
ESQUEMA DE MANTENIMIENTO PROGRAMADO	10
LIMPIEZA DE LA BOQUILLA	10
CONTROL/SUSTITUCIÓN DE LOS CAUCHOS DE LA BOQUILLA	11
LIMPIEZA DEL CEPILLO/CEPILLO CILÍNDRICO	11
LIMPIEZA DE LOS DEPÓSITOS Y DE LA REJILLA DE ASPIRACIÓN CON FLOTADOR	11
LIMPIEZA DEL FILTRO DEL DETERGENTE	11
CARGA DE LAS BATERÍAS	12
CONTROL/SUSTITUCIÓN DE LOS FUSIBLES	12
REMOCIÓN/INSTALACIÓN DEL CABEZAL PORTACEPILLO/PORTAFIELTRO O DEL CABEZAL PORTACEPILLO CILÍNDRICO	13
FUNCIONES DE SEGURIDAD	13
BÚSQUEDA AVERÍAS	13
ELIMINACIÓN	14

INTRODUCCIÓN

FINALIDAD Y OBJETO DE ESTE MANUAL

Este manual contiene todas las informaciones necesarias para que el cliente utilice la máquina de forma adecuada, autónoma y segura. Incluye informaciones técnicas, sobre el funcionamiento, el período de inactividad, el mantenimiento, las piezas de repuesto y la seguridad.

Antes de efectuar cualquier operación de mantenimiento, los operadores y los técnicos calificados para el mantenimiento tienen que leer cuidadosamente las instrucciones incluidas en este manual. En caso de dudas sobre la correcta interpretación de las instrucciones, consultar un Centro de asistencia Advance para obtener explicaciones.

DESTINATARIOS

Este manual es para los operadores y los técnicos calificados para el mantenimiento de la máquina.

CONSERVACIÓN DEL MANUAL

Estas Instrucciones de uso deben conservarse junto a la máquina, dentro de su contenedor, lejos de líquidos y otras sustancias que podrían dañarlo.

DATOS DE IDENTIFICACIÓN

El número de serie y el modelo de la máquina están marcados sobre el depósito y se pueden leer del exterior (1, Fig. C).

El año de fabricación de la máquina está indicado después del Código Fecha en la placa serial (A05 significa Enero 2005).

Esta información es necesaria cuando se pidan piezas de repuesto para la máquina. Utilizar el espacio siguiente para escribir los datos de identificación de la máquina para todas referencias futuras.

Modelo MÁQUINA

Número de serie MÁQUINA

OTROS MANUALES DE REFERENCIA

- Manual del cargador de batería electrónico, de considerarse parte integrante de este manual.
- Los siguiente manuales son también disponibles:
 - Manual de asistencia (que se puede consultar cerca de los Centros de asistencia Advance).
 - Catálogo piezas de repuestos (en dotación a la máquina).

PIEZAS DE REPUESTO Y MANTENIMIENTO

Para cualquier necesidad que se refiere a la utilización, al mantenimiento y a las reparaciones (si necesarias), consultar el personal calificado o los Centros de asistencia Advance. Se recomienda utilizar sólo piezas de repuesto y accesorios originales.

Para la asistencia o para ordenar piezas de repuesto o accesorios acudir a Advance, especificando siempre el modelo y el número de serie de la máquina.

MODIFICACIONES Y MEJORAS

Nuestra empresa está constantemente mejorando sus productos y se reserva el derecho de realizar modificaciones y mejoras a su discreción, sin verse obligada a aplicar dichas ventajas a las máquinas vendidas previamente.

Sólo el fabricante puede aprobar y efectuar cualquier modificación y/o instalación de accesorios.

SEGURIDAD

La siguiente simbología sirve para señalar situaciones de peligro potencial. Leer siempre cuidadosamente estas informaciones y tomar las precauciones necesarias para proteger personas y cosas.

Para evitar desgracias, la cooperación del operador de la máquina es fundamental. Ningún programa de prevención de accidentes resulta eficaz sin la total cooperación de la persona directamente responsable del funcionamiento de la máquina. La mayoría de los accidentes que pueden producirse en una empresa, durante el trabajo o los traslados, son provocados por no observar las reglas de seguridad fundamentales. Un operador cuidadoso y cauto es la mejor garantía para evitar posibles accidentes y resulta más eficaz que cualquier programa de prevención.

SÍMBOLOS



¡PELIGRO!
Indica un peligro con riesgo, incluso mortal, para el operador.



¡ATENCIÓN!
Indica el riesgo de infortunios para las personas o daños para las cosas.



¡ADVERTENCIA!
Indica una advertencia o una nota sobre una función importante o útil. Tener mucho cuidado de las partes del texto marcadas con este símbolo.



CONSULTAS
Antes de efectuar cualquier operación consultar las Instrucciones de uso.

INSTRUCCIONES GENERALES

Se describen a continuación las advertencias y precauciones específicas por lo que se refiere a los potenciales riesgos de daños a la máquina o a las personas.



¡PELIGRO!

- Desconectar la batería mediante el conector relacionado, antes de empezar cualquier operación de mantenimiento/repación.
- Sólo el personal calificado y autorizado puede utilizar esta máquina. Los niños y los minusválidos no pueden utilizar esta máquina.
- Tener chispas, llamas y materiales incandescentes lejos de las baterías. Durante el uso normal pueden salir gases explosivos.
- Quitarse las joyas cuando se trabaja cerca de los componentes eléctricos.
- No trabajar bajo la máquina levantada si ésta no está fijada con los soportes adecuados.

- No utilizar esta máquina en un ambiente donde haya polvo, líquidos o vapores nocivos, peligrosos, inflamables y/o explosivos.
- Cargando las baterías se produce gas hidrógeno muy explosivo. Dejar abierto el conjunto de los depósitos durante las operaciones de carga de las baterías y efectuar la carga solo en áreas muy bien ventiladas y lejos de llamas libres.



¡ATENCIÓN!

- Antes de efectuar cualquier operación de mantenimiento/repación, leer cuidadosamente todas las instrucciones relacionadas.
- Antes de utilizar el cargador de batería, asegurarse de que la frecuencia y la tensión indicadas en la placa del número de serie de la máquina coincidan con la tensión de la red.
- Tomar todas las precauciones necesarias para que el pelo, las joyas y las ropas no sean capturados por los componentes móviles y de admisión de la máquina.
- No fumar cuando se cargan las baterías.
- No dejar la máquina sin custodia y sin haberse asegurado que no pueda moverse de forma autónoma.
- No utilizar sobre suelos con inclinación mayor a la indicada en la máquina.
- No lavar la máquina con chorros de agua directa o presurizada, o con sustancias corrosivas.
- No utilizar la máquina en ambientes demasiado polvorientos.
- Cuando se utiliza esta máquina, tener cuidado de salvaguardar la incolumidad de las personas.
- La temperatura de almacenamiento debe estar entre 0°C y +40°C (+32°F y +104°F).
- La temperatura de funcionamiento de la máquina debe estar entre 0°C y +40°C (+32°F y +104°F).
- La humedad debe estar entre el 30% y el 95%.
- Proteger siempre la máquina del sol, lluvia y otras intemperie, tanto durante el funcionamiento como durante los períodos de inactividad.
- No utilizar la máquina como vehículo de transporte.
- No permitir que el cepillo funcione mientras la máquina está parada en un punto para evitar posibles daños al suelo.
- En caso de incendio utilizar un extintor de polvo. No utilizar agua.
- No chocar contra estanterías o andamios de los que puedan caer objetos.
- No adulterar por ninguna razón la máquina, respete escrupulosamente las instrucciones previstas para el mantenimiento ordinario.
- No quitar ni modificar las placas aplicadas a la máquina.
- Cuando la máquina no funciona correctamente, asegurarse de que esto no sea causado por falta de mantenimiento. En caso contrario pedir la intervención del personal autorizado o del Centro de asistencia.
- Si deben sustituirse piezas, solicitar piezas de repuesto ORIGINALES a un concesionario o revendedor autorizado.
- Para asegurar condiciones de funcionamiento correcto y seguro, el personal autorizado o el Centro de asistencia autorizado debe llevar a cabo el mantenimiento programado según las especificaciones en el capítulo relacionado de este manual.

- La máquina nunca debe dejarse desentendida durante la fase de eliminación, por la presencia de materiales tóxicos y dañinos (ácido de baterías, aceite, etc.) sujetos a normativas que exigen que se realice la eliminación cerca de centros especiales (véase el capítulo Eliminación).
- Si se utiliza la máquina de conformidad con las instrucciones, las vibraciones no engendran situaciones peligrosas. El nivel de vibraciones de la máquina es inferior a 2,5 m/s².
- No dejar que material extraño entre en las aperturas. No utilizar la máquina si las aperturas están bloqueadas; las aperturas deben mantenerse libre de polvo, pelos y cualquier otro cuerpo extraño que pueda reducir el flujo de aire.
- Esta máquina no tiene aprobación para la utilización en carreteras o vías públicas.
- Tener cuidado durante el traslado de la máquina en condiciones por debajo de la temperatura de congelación. El agua en el tanque de recuperación o en los tubos, podría congelarse y dañar la máquina.
- Utilizar sólo los cepillos y los fieltros suministrados con la máquina y aquellos especificados en las Instrucciones de uso. Utilizar otros cepillos o fieltros puede perjudicar la seguridad.

DESEMBALAJE

Para desembalar la máquina seguir cuidadosamente las instrucciones colocadas sobre el embalaje. Al momento de la entrega, controlar atentamente el embalaje y la máquina por si hayan sufrido daños durante el transporte. Si el daño es evidente, conservar el embalaje así que el transportista que lo ha entregado lo pueda inspeccionar. Contactarlo de inmediato para compilar una indemnización de daños y perjuicios. Controlar que la máquina sea entregada junto a los siguientes componentes:

1. Documentación técnica:
 - Instrucciones de uso
 - Manual del cargador de batería electrónico
 - Catálogo piezas de repuestos
2. N° 1 fusible laminar

DESCRIPCIÓN DE LA MÁQUINA

CARACTERÍSTICAS DE FUNCIONAMIENTO DE LA FREGADORA AUTOMÁTICA MICROMAX™ 17B–20B/20DC–20DD

Esta fregadora-secadora es adecuada para limpiar (lavado y secamiento) suelos lisos y sólidos, en condiciones de seguridad, por parte de un operador calificado. La fregadora automática no es adecuada para limpiar alfombras o moqueta.

CONVENCIONES

Las indicaciones de adelante, atrás, delantero, trasero, derecho e izquierdo en este manual se refieren al operador con las manos sobre el manillar (2, Fig. C).

Panel de control y mandos**(Véase Fig. B)**

1. Panel de control y mandos
2. Indicador luminoso de batería cargada (verde)
3. Indicador luminoso de batería casi descargada (amarillo)
4. Indicador luminoso de batería descargada (rojo)
5. Interruptor cepillo/portafieltro/cepillo cilíndrico (*)
6. Interruptor de aspiración
7. Palanca de control del flujo del detergente
8. Tornillos de fijación del panel de control y mandos
9. Llave de encendido (*)
10. Palancas de control tracción (*)
11. Regulador de la velocidad de tracción (*)

(*) sólo versión "20DD-20DC"

Vista exterior trasera**(Véase Fig. C)**

1. Placa número de serie/datos técnicos
2. Manillar
3. Empuñaduras para el ajuste de la inclinación del manillar
4. Portaobjetos
5. Tapa de los depósitos
6. Ruedas traseras, directrices
7. Ruedas delanteras en eje fijo
8. Cepillo/portafieltro
9. Cabezal portacepillo/portafieltro
10. Boquilla
11. Empuñaduras de fijación de la boquilla
12. Empuñadura de equilibrado de la boquilla
13. Caucho delantero de la boquilla
14. Caucho trasero de la boquilla
15. Gancho de fijación del caucho trasero
16. Tuercas de mariposa
17. Tubo de descarga del agua de recuperación
18. Tubo de descarga del detergente
19. Palanca de subida de la boquilla
20. Pedal de levantamiento del cepillo
21. Filtro del detergente
22. Clavija del cargador de batería
23. Cable del cargador de batería
24. Llave en dotación
25. Conector de manija (rojo) de conexión de las baterías
26. Tubo de aspiración de la boquilla
27. Muecas del depósito del detergente
28. Grifo del detergente
29. Cinta de caucho
30. Alerón delantero del cabezal portacepillo/portafieltro
31. Cepillo cilíndrico
32. Cabezal portacepillo cilíndrico
33. Alerón delantero del cabezal portacepillo cilíndrico
34. Rodillos antichoque

Partes bajo la tapa de los depósitos**(Véase Fig. G)**

1. Tapa de los depósitos (abierta)
2. Guarnición de la tapa de los depósitos
3. Orificio de compensación
4. Depósito del agua de recuperación
5. Depósito del detergente
6. Orificio de aspiración del agua de recuperación
7. Rejilla de aspiración con cierre automático de flotador
8. Orificio de descarga del agua de recuperación
9. Alojamiento de la guarnición
10. Retenes de la rejilla de aspiración
11. Flotador
12. Punto de unión de la guarnición
13. Superficie de contacto de la guarnición

Partes anteriores**(Véase Fig. J)**

1. Tornillo de fijación lateral del conjunto depósitos
2. Conjunto depósitos (abierto)
3. Motor de aspiración
4. Baterías
5. Tapones de las baterías
6. Cargador de batería electrónico
7. Indicador luminoso de batería cargada
8. Selector batería de plomo (WET) o de gel (GEL) (sobre el cargador de batería electrónico)
9. Caja de los componentes eléctricos
10. Esquema de instalación de las baterías
11. Caja eléctrica del sistema de tracción (*)
12. Motor cepillo/portafieltro
13. Empuñadura de ajuste de la velocidad de la máquina en marcha adelante, con cepillo/portafieltro
14. Empuñadura de ajuste de la marcha adelante de la máquina, con cepillo/portafieltro
15. Cabezal portacepillo/portafieltro
16. Cepillo
17. Portafieltro
18. Fieltro
19. Tubo del detergente al cepillo/cepillo cilíndrico
20. Conector del motor del cepillo/portafieltro
21. Clavija del cabezal
22. Clavija del cabezal
23. Bloque de fijación
24. Motores del cepillo cilíndrico
25. Cabezal portacepillo cilíndrico
26. Cepillo cilíndrico
27. Puerta del cepillo cilíndrico
28. Empuñadura de la puerta del cepillo cilíndrico
29. Contenedor de residuos del cepillo cilíndrico
30. Manilla del contenedor de residuos
31. Alerón delantero del cabezal portacepillo/portafieltro
32. Alerón delantero del cabezal portacepillo cilíndrico

(*) sólo versión "20DD-20DC"

DATOS TÉCNICOS

Dimensiones	17B	20B	20DD	20DC
Anchura de fregado	430 mm (17 in)	508 mm (20 in)		
Anchura de la boquilla	770 mm (30,3 in)			
Anchura de la máquina sin boquilla	492 mm (19,3 in)	524 mm (20,6 in)	585,5 mm (23,0 in)	
Altura de la máquina con manillar levantado	1.073 mm (42,2 in)			
Altura de la máquina con manillar bajado	943 mm (37,1 in)			
Longitud de la máquina con manillar levantado	1.187 mm (46,7 in)	1.242 mm (48,9 in)	1.285 mm (50,5 in)	1.220 mm (48,0 in)
Longitud de la máquina con manillar bajado	1.040 mm (40,9 in)	1.180 mm (46,5 in)		1.115 mm (43,8 in)
Diámetro del cepillo/portafiltro	430 mm (17 in)	508 mm (20 in)		—
Diámetro del cepillo cilíndrico	—			110 mm (4,33 in)
Longitud del cepillo cilíndrico	—			485 mm (19,0 in)
Inclinación máxima superable	2%			
Capacidad del depósito de recuperación	36 litros (9,6 gal)			
Capacidad del depósito del detergente	36 litros (9,6 gal)			
Ajuste del flujo del detergente	de 0 a 1,75 litros (de 0 a 0,46 gal) por minuto			
Diámetro de la ruedas delanteras	170 mm (6,7 in)			
Presión al suelo de las ruedas delanteras	Inferior a 0,5 N/mm ²			
Diámetro de las ruedas traseras	80 mm (3,1 in)			
Peso neto (sin baterías y con los depósitos vacíos)	87,2 kg (191,8 lb)	89,5 kg (196,9 lb)	97,5 kg (214,5 lb)	98,5 kg (216,7 lb)
Alimentación motor cepillo/portafiltro	520 W			—
Alimentación motor cepillo cilíndrico	—			400 W
Velocidad del cepillo/portafiltro	165 rpm			
Velocidad del cepillo cilíndrico	—			570 rpm
Presión del cepillo/portafiltro	27 kg (59,4 lb)	29,5 kg (64,9 lb)		—
Presión del cepillo cilíndrico	—			30,5 kg (67,1 lb)
Potencia del motor de aspiración	380 W			
Flujo de aire máximo	32,5 litros/seg (68,4 cfm)			
Capacidad de aspiración	1.246 mmH ₂ O (47,4 inH ₂ O)			
Potencia del motor de tracción	—		130 W	
Velocidad de tracción (variable)	0 - 5,2 km/h (0 - 3,2 mph)			
Nivel presión acústica (en la posición del operador) EN 3744	65 dB(A)			
Baterías estándar	2x12V 105 Ah WET		2x12V 130 Ah WET	
Tensión nominal batería	24V			
Dimensiones del compartimiento de la batería	350x350x300mm (13,8x13,8x11,8 in)			
Nivel de protección	IPX4			
Aprobación ETL	Sí			

ESQUEMAS ELÉCTRICOS

Esquemas eléctricos, para los componentes opcionales (Fig. K y L).

CH1 Cargador de batería
 C1 Conector de batería
 EB1 Tarjeta electrónica (CFBA430)
 EB2 Tarjeta LED (CFBALED)
 EB3 Tarjeta electrónica de tracción
 ES1 Interruptor electromagnético cepillo
 ES2 Interruptor electromagnético aspiración
 EV1 Electroválvula agua
 F1 Fusible cepillo (50A)
 F2 Fusible aspiración (40A)
 F3 Válvula agua y fusible electrónico (5A)
 F4 Fusible tracción (30A)
 IS1 Aislador negativo
 IS2 Aislador positivo
 K1 Conmutador de arranque
 M1 Motor cepillo
 M2 Motor de aspiración
 M3 Motor de tracción
 R1 Regulador de la velocidad de tracción
 SW1 Interruptor cepillo
 SW2 Interruptor de aspiración
 SW3 Microinterruptor de control tracción
 SW4 Microinterruptor del motor de tracción

Código colores

BK Negro
 BU Azul
 BN Marrón
 GN Verde
 GY Gris
 OG Anaranjado
 PK Rosado
 RD Rojo
 VT Morado
 WH Blanco
 YE Amarillo

PROTECCIONES ELÉCTRICAS

Fusibles

Fusible de seguridad cepillo (50A): (1, Fig. E)
 Fusible aspiración (40A): (2, Fig. E)
 Fusible electroválvula (5A): (3, Fig. E)
 Fusible tracción (30A): (8, Fig. E) (*)
 Fusible de protección tarjeta electrónica (2A): (9, Fig. E) (*)

(*) sólo versión "20DD-20DC"

Sistema electrónico de protección sobrecarga del motor del cepillo

Este sistema funciona en caso de sobrecarga del motor del cepillo.

El funcionamiento del sistema está indicado por el parpadeo simultáneo de los indicadores luminosos (2, 3, 4, Fig. B); después de unos segundos, el motor del cepillo se apaga.

Para reactivar el motor, es necesario eliminar la causa que ha producido la sobrecarga, que puede ser:

- el cepillo está demasiado presionado contra el suelo;
- el cepillo está bloqueado por causa de la aspereza del suelo o por un cuerpo extraño;
- la rotación del cepillo disminuye por causa de polvo, cuerdas o trapos alrededor del eje de rotación;
- la fricción entre el cepillo y el suelo es excesiva [aumentar la cantidad de detergente mediante la palanca de control (7, Fig. B)].

Una vez eliminada la causa de la sobrecarga, reactivar el sistema como sigue:

- (versiones 20B) parar la máquina llevando los interruptores (5 y 6, Fig. B) en posición "0";
- (versiones 20DD) parar la máquina llevando la llave de encendido (9, Fig. B) en posición "0".

Luego, poner en marcha la máquina como indicado en el capítulo relacionado.

Sistema electrónico de protección sobrecarga del motor de tracción (sólo versiones 20DD-20DC, cuando disponible)

Este sistema funciona en caso de sobrecarga del motor de tracción.

Cuando este sistema está activado, el motor de tracción se para.

Tras unos segundos, el sistema puede ser reactivado parando la máquina y poniendo la llave de encendido (9, Fig. B) en posición "0".

Luego, poner en marcha la máquina como indicado en el capítulo relacionado.

ACCESORIOS/OPCIONES

Además de los componentes instalados en la versión estándar, la máquina puede equiparse con los siguientes accesorios/opciones, según la utilización específica:

1. Baterías de gel
2. Cepillos de diferentes materiales
3. Filtros de diferentes materiales
4. Cauchos antiaceite de la boquilla
5. Parasalpicaduras
6. Cintas de caucho natural

Para informaciones suplementarias sobre accesorios opcionales, acudir al revendedor autorizado.

USO



- ¡ATENCIÓN!**
En unas partes de la máquina hay unas placas adhesivas que indican:
- PELIGRO
 - ATENCIÓN
 - ADVERTENCIA
 - CONSULTAS

Con la lectura de este manual, el operador tiene que aprender el sentido de estos símbolos.

Por ninguna razón estas placas deben cubrirse y si están dañadas tienen que sustituirse de inmediato.

CONTROL/PREPARACIÓN DE LAS BATERÍAS EN LA MÁQUINA NUEVA



¡ATENCIÓN!

- Si no se instalan correctamente las baterías, los componentes eléctricos de la máquina podrían dañarse. Sólo el personal calificado puede efectuar la instalación de las baterías. Ajustar la tarjeta electrónica de la máquina y el cargador de batería integrado, según el tipo de batería utilizado (de plomo o de gel).
- Antes de la instalación, controlar que las baterías no estén dañadas.
- Desconectar el conector de las baterías o la clavija del cargador de batería.
- Desplazar las baterías con mucho cuidado.
- Asegurarse de que los cables del cargador de batería están correctamente conectados a los terminales de la batería según la polaridad correcta.
- Instalar las tapas de protección de los bornes de las baterías, en dotación a la máquina.

La máquina requiere dos baterías de 12V, conectadas según el esquema (10, Fig. J).

La máquina puede ser entregada con las siguientes configuraciones:

a) Baterías (de plomo o gel) instaladas en la máquina y listas para utilizarse.

1. Controlar que las baterías estén conectadas a la máquina mediante el conector (25, Fig. C).
2. Parar la máquina mediante los interruptores del cepillo y de la aspiración (5 y 6, Fig. B). Si se enciende el indicador luminoso verde (2, Fig. B), las baterías están cargadas y pueden utilizarse. Si se encienden los indicadores luminosos amarillo o rojo (3 o 4, Fig. B) es necesario cargar las baterías (véase el capítulo Mantenimiento).

b) Baterías (de plomo) ya instaladas en la máquina, pero sin electrólito líquido

1. Quitar la llave (24, Fig. C) de su alojamiento y quitar el tornillo de fijación del conjunto depósitos (1, Fig. J).
2. Levantar con cuidado el conjunto de los depósitos (2, Fig. J) mediante el manillar (2, Fig. C).
3. Quitar los tapones (5, Fig. J) de las baterías.



¡ATENCIÓN!

Tener mucho cuidado cuando se usa ácido sulfúrico porque es muy corrosivo. Si entra en contacto con la piel o los ojos lavar a conciencia con agua y consultar un médico. Rellenar las baterías en áreas muy bien ventiladas.
Ponerse guantes de protección.

4. Rellenar los elementos de la batería con ácido sulfúrico para baterías (densidad de 1,27 a 1,29 Kg, a 25°C) de conformidad con las instrucciones especificadas en el manual de la batería.
En el manual está especificada la correcta cantidad de ácido de poner en la batería.
5. Para evitar de dañar los suelos, secar mediante un trapo el agua y el ácido que se encuentran en la parte superior de las baterías después de la carga.
6. Esperar y rellenar los elementos de la batería con ácido sulfúrico según las instrucciones especificadas en el manual de las baterías.
7. Cargar las baterías (véase el capítulo Mantenimiento).

c) Sin baterías

1. Comprar unas baterías adecuadas [véase el párrafo Datos técnicos y los esquemas de instalación (10, Fig. J)].
Para escoger e instalar las baterías, acudir a un revendedor calificado.
2. Instalar las baterías y regular las baterías (WET o GEL) y el cargador de batería según las indicaciones del párrafo siguiente.

INSTALACIÓN DE LAS BATERÍAS Y REGULACIÓN DEL TIPO DE BATERÍA (WET O GEL)

Según el tipo de batería instalado (de plomo o de gel) efectuar la regulación de la tarjeta electrónica de la máquina y del cargador de batería llevando a cabo las siguientes operaciones:

Regulación de la máquina

1. Asegurarse de que el conector (25, Fig. C) de las baterías esté desconectado.
2. Quitar la llave (24, Fig. C) de su alojamiento y quitar el tornillo de fijación del conjunto depósitos (1, Fig. J).
3. Levantar con cuidado el conjunto de los depósitos (2, Fig. J) mediante el manillar (2, Fig. C).
4. La regulación de fábrica de la máquina es para baterías de plomo (WET). Si esta regulación corresponde a las baterías escogidas, pasar al paso 8, de lo contrario efectuar los pasos 5, 6 y 7.
5. Desenroscar los tornillos (4, Fig. E) y quitar con cuidado la tapa (5) de la caja de los componentes eléctricos, deslizándola hacia arriba.
6. Poner el microinterruptor (6, Fig. E) en posición GEL.



¡ATENCIÓN!

No tocar el interruptor (7, Fig. E) adyacente.

7. Reinstalar la tapa (5, Fig. E) de la caja de los componentes eléctricos y apretar los tornillos (4).

Regulación del cargador de batería

8. Poner el selector (8, Fig. J) en posición WET para las baterías de plomo o en posición GEL para las baterías de gel.

Instalación y carga de las baterías

- Instalar las baterías en la máquina según el esquema (10, Fig. J).
- Cargar las baterías (véase el capítulo Mantenimiento).



NOTA

La máquina no funciona si el cargador de batería no está conectado a las baterías.

INSTALACIÓN/SUSTITUCIÓN DEL CABEZAL

En las versiones 20DC y 20DD es posible instalar el cabezal portacepillo/portafiltro (9, Fig. C) o el cabezal portacepillo cilíndrico (32).

Para la instalación/sustitución, véase el capítulo Mantenimiento.

Instalación/sustitución del cepillo o del portafiltro

- En la máquina con el cabezal adecuado instalado (9, Fig. G) es posible instalar el cepillo (16, Fig. J) o el portafiltro (17) con el filtro (18) según el tipo de suelo.
- Levantar el cabezal portacepillo/portafiltro (9, Fig. C) con el pedal (20).
- Colocar el cepillo/portafiltro (16/17, Fig. J) bajo del cabezal portacepillo/portafiltro.
- Bajar el cabezal portacepillo/portafiltro (9, Fig. C) con el pedal (20).
- Pulsar el interruptor del cepillo (5, Fig. B) durante unos segundos para enganchar el portacepillo/portafiltro.

Instalación del cepillo cilíndrico

- Levantar el cabezal portacepillo cilíndrico (32, Fig. C) con el pedal (20).
- Colocar la llave de encendido (9, Fig. B) en la posición "0" y sacarla.
- Quitar las empuñaduras (28, Fig. J) y los portillos (27) empujándolos hacia abajo y presionando la empuñadura.
- Instalar el cepillo cilíndrico (26, Fig. J). El cepillo cilíndrico se puede instalar por un lado o por el otro.
- Volver a colocar los portillos (27, Fig. J) y fijarlos con las empuñaduras (28).

Instalación de la boquilla

- Instalar la boquilla (10, Fig. C) y fijarla con las empuñaduras (11), luego conectar el tubo (26) a la boquilla.
- Mediante la empuñadura (12, Fig. C) ajustar la boquilla de forma que el caucho trasero (14) contacte con el suelo por toda su longitud y que el caucho delantero (13) esté ligeramente desprendido del suelo.

Ajustes

- Ajustar el manillar (2, Fig. C) mediante las empuñaduras (3) para obtener la posición más confortable para el operador.

Llenado del depósito del detergente

- Abrir la tapa (1, Fig. G) de los depósitos.
- Rellenar el depósito del detergente (5, Fig. G) con un detergente adecuado según el tipo de trabajo. Es posible controlar el nivel del detergente en el depósito mediante las muescas (27, Fig. C). No llenar completamente el depósito del detergente, dejar unos centímetros del borde. Seguir las instrucciones indicadas en la etiqueta para la dilución del producto químico utilizado para componer el detergente. La temperatura del detergente no debe superar los 40°C (100°F).



¡ADVERTENCIA!

Utilizar exclusivamente detergentes líquidos poco espumosos y no inflamables, adecuados para este tipo de máquina.

PUESTA EN MARCHA Y PARADA DE LA MÁQUINA

Puesta en marcha

- Preparar la máquina como indicado en el párrafo precedente.
- Bajar la boquilla (10, Fig. C) mediante la palanca (19).
- Bajar el cepillo (8, Fig. C) mediante el pedal (20).
- Posicionar la palanca de ajuste del flujo del detergente (7, Fig. B) en la posición más adecuada según el tipo de trabajo de efectuar.
- Teniendo una mano sobre el manillar (2, Fig. C), poner en marcha la máquina mediante los interruptores del cepillo y de la aspiración (5 y 6, Fig. B).



NOTA

Si se enciende el indicador luminoso verde (2, Fig. B), la máquina puede utilizarse. Si se enciende el indicador luminoso amarillo o rojo (3 o 4, Fig. B) es necesario cargar las baterías, antes de empezar el trabajo (véase el procedimiento de carga de las baterías en el capítulo Mantenimiento).

Parada de la máquina

- Poner los interruptores del cepillo y de la aspiración (5 y 6, Fig. B) en posición "0".
- Levantar el cepillo mediante el pedal (20, Fig. C).
- Levantar la boquilla mediante la palanca (19, Fig. C).
- (sólo versiones 20DD): poner la llave (9, Fig. B) en posición "0".

FUNCIONAMIENTO DE LA MÁQUINA

1. Poner en marcha la máquina como indicado en el párrafo anterior.
2. Teniendo ambas las manos sobre el manillar (2, Fig. C), maniobrar la máquina y empezar el trabajo de lavado/secamiento del suelo.

(sólo versiones 20DD-20DC): girando las palancas (10, Fig. B), en sentido horario y antihorario, la máquina se mueve en marcha adelante; no es posible moverse en marcha atrás.

La velocidad de tracción puede ajustarse mediante el regulador (11, Fig. B).

Para empujar la máquina hacia atrás o efectuar vueltas de radio estrecho, el mando de la tracción debe desconectarse soltando las palancas (10, Fig. B).



¡ADVERTENCIA!

Para que la superficie del suelo no se dañe, parar la rotación del cepillo mediante el interruptor (5, Fig. B) cuando la máquina está parada en un punto.



¡ADVERTENCIA!

Antes de levantar el cepillo/fieltro, pararlo mediante el interruptor (5, Fig. B).

Mandos de la tracción de la máquina

3. El movimiento en marcha adelante y la velocidad en marcha adelante (sin vueltas a la derecha o izquierda) pueden variar según el tipo de suelo o la utilización de cepillo o portafieltro. Éstas se pueden ajustar mediante las dos empuñaduras (13 y 14, Fig. J) sobre el cepillo, según el procedimiento siguiente:
 - La máquina se mueve hacia la izquierda girando la empuñadura de ajuste (14, Fig. J) en sentido antihorario; la máquina se mueve hacia la derecha girando la empuñadura de ajuste en sentido horario.
 - La velocidad de la máquina aumenta girando la empuñadura de ajuste (13, Fig. J) en sentido antihorario; la velocidad de la máquina disminuye girando la empuñadura de ajuste en sentido horario.

VACIADO DE LOS DEPÓSITOS



NOTA

Un sistema de cierre automático de flotador (7, Fig. G) bloquea el sistema de aspiración cuando el depósito de recuperación (4) está lleno. Es posible darse cuenta del bloqueo del sistema de aspiración porque el ruido del motor de aspiración aumenta.

Cuando el depósito del agua de recuperación (4, Fig. G) está lleno, vaciarlo según el procedimiento siguiente.

Vaciado del depósito del agua de recuperación

1. Parar la máquina mediante los interruptores del cepillo y de la aspiración (5 y 6, Fig. B).
2. Levantar el cepillo/portafieltro mediante el pedal (20, Fig. C).
3. Levantar la boquilla mediante la palanca (19, Fig. C).
4. Llevar la máquina al área de eliminación designada.
5. Vaciar el depósito de recuperación mediante el tubo (17, Fig. C). En caso de trabajo acabado, enjuagar el depósito con agua limpia.

Vaciado del depósito del detergente

6. Llevar a cabo los pasos de 1 a 4.

7. Vaciar el depósito del detergente mediante el tubo (18, Fig. C). En caso de trabajo acabado, enjuagar el depósito con agua limpia.

Vaciar el contenedor de residuos del cepillo cilíndrico (sólo para cabezal portacepillo cilíndrico)

8. Parar la máquina mediante los interruptores del cepillo y de la aspiración (5 y 6, Fig. B).
9. Con el cabezal portacepillo cilíndrico (25, Fig. J) bajado, quitar el contenedor de residuos (29) tirándolo lateralmente mediante la manilla (30).
10. Vaciar el contenedor de residuos (29, Fig. J), luego instalarlo enganchando los retenes.

DESPUÉS DE LA UTILIZACIÓN DE LA MÁQUINA

Cuando el trabajo está acabado, antes de alejarse de la máquina:

1. Quitar el cepillo/portafieltro como sigue:
 - **Cepillo/portafieltro:** con el cabezal portacepillo/portafieltro levantado, poner el interruptor del cepillo (5, Fig. B) en posición "I"; tras unos segundos, poner de nuevo el interruptor en posición "0"; de esta forma el cepillo/portafieltro se desengancha.
 - **Cepillo cilíndrico:** con el cabezal portacepillo cilíndrico, desenroscar las empuñaduras (28, Fig. J) y quitar los portillos (27) empujándolos hacia abajo y presionando las empuñaduras. Quitar el cepillo cilíndrico (26, Fig. J). Volver a colocar los portillos (27, Fig. J) y enroscar las empuñaduras (28).
2. Vaciar los depósitos (4 y 5, Fig. G) y el contenedor de residuos (29, Fig. J) como indicado en el párrafo anterior.
3. Efectuar las operaciones de mantenimiento necesarias después de la utilización de la máquina (véase el capítulo Mantenimiento).
4. Tener la máquina en un lugar seco y limpio, con el cepillo y la boquilla levantados o desmontados.

PERIODO DE LARGA INACTIVIDAD DE LA MÁQUINA

Si se piensa que la máquina no va a ser utilizada durante 30 días o más, seguir las indicaciones siguientes:

1. Llevar a cabo los procedimientos indicados en el párrafo Después de la utilización de la máquina.
2. Desconectar el conector (25, Fig. C) de las baterías.
3. Desconectar el terminal positivo (+) de las baterías del polo (+) de las baterías.

PRIMER PERIODO DE UTILIZACIÓN

Después del primer período de utilización (primeras 8 horas) es necesario controlar que los elementos de fijación y conexión estén correctamente instalados, que las partes visibles no estén dañadas y que no haya pérdidas.

MANTENIMIENTO

Un mantenimiento cuidadoso y continuo garantiza la vida útil y la seguridad de funcionamiento de la máquina. El esquema siguiente resume el mantenimiento programado. Los períodos indicados pueden variar según las condiciones de trabajos, que el encargado del mantenimiento debe establecer.



¡ATENCIÓN!

Las operaciones deben efectuarse con la máquina apagada y con la batería desconectada.

Antes de efectuar las operaciones de mantenimiento, leer cuidadosamente todas las instrucciones del capítulo Seguridad.

Todas las operaciones de mantenimiento programado o extraordinario deben ser efectuadas por el personal calificado o por un Centro de asistencia autorizado.

Este manual, describe sólo los procedimientos de mantenimiento más sencillos y frecuentes.



NOTA

Para las operaciones de mantenimiento no indicadas en el esquema de mantenimiento programado, véase el Manual de asistencia disponible en los Centros de asistencia Advance.

ESQUEMA DE MANTENIMIENTO PROGRAMADO

Operación	Diaria, después de la utilización de la máquina	Semanaria	Semestral	Anual
Limpieza de la boquilla				
Control (y sustitución) del caucho de la boquilla				
Limpieza del cepillo/cepillo cilíndrico				
Limpieza de los depósitos y de la rejilla de aspiración con flotador				
Limpieza del filtro del detergente				
Carga de las baterías				
Control del nivel del líquido de las baterías de plomo (WET)				
Control de la torsión de tuercas y tornillos			(1)	
Control o sustitución de las escobillas de carbón del motor del cepillo				(2)
Control o sustitución de las escobillas de carbón del motor de aspiración				(2)
Control o sustitución de las escobillas de carbón del motor de tracción (*)				(2)
Engrase del cojinete del eje de tracción (*)				
Control y ajuste de la correa de transmisión del motor del cepillo cilíndrico (**)			(2)	

(1):y después de las primeras 8 horas de trabajo

(2):por estas operaciones de mantenimiento acudir a un Centro de asistencia Advance

(*):sólo versiones 20DD-20DC

(**):Sólo para cabezal portacepillo cilíndrico

LIMPIEZA DE LA BOQUILLA



NOTA

Para un buen secamiento, la boquilla debe estar limpia y con los cauchos en buenas condiciones.



¡ADVERTENCIA!

Durante estas operaciones se aconseja ponerse guantes de trabajo, porque residuos cortantes podrían estar en la boquilla.

1. Conducir la máquina sobre un suelo llano.
2. Controlar que los interruptores (5 y 6, Fig. B) estén en posición "0".

3. Bajar la boquilla (10) mediante la palanca (19, Fig. C).
4. Desconectar el tubo de aspiración (26, Fig. C) de la boquilla.
5. Aflojar las empuñaduras (11, Fig. C) y quitar la boquilla (10).
6. Limpiar la boquilla; limpiar los huecos (1, Fig. D) y el orificio (2) especialmente. Controlar que los cauchos delantero (3) y trasero (4) estén en buenas condiciones, que no estén cortados o desgarrados; de lo contrario, sustituirlos (véase el procedimiento en el párrafo siguiente).
7. Instalar en el orden contrario a la remoción.

CONTROL/SUSTITUCIÓN DE LOS CAUCHOS DE LA BOQUILLA

1. Limpiar la boquilla como indicado en el párrafo anterior.
2. Controlar que los bordes (5, Fig. D) de los cauchos delantero (12) y trasero apoyen en el suelo, por toda su longitud; de lo contrario ajustar la altura, como indicado a continuación:
 - desenganchar el retén (6), aflojar las tuercas de mariposa (7) y ajustar el caucho trasero (4); luego apretar las tuercas de mariposa y enganchar el retén;
 - ajustar el caucho delantero (3) tras haber aflojado las tuercas (8); luego apretar las tuercas.
3. Controlar que los cauchos delantero (3) y trasero (4) estén en buenas condiciones, que no estén cortados o desgarrados; de lo contrario, sustituirlos como indicado a continuación. Controlar que el borde delantero (9) del caucho trasero no esté desgastado; de lo contrario volcar el caucho mismo, llevando en su posición uno de los otros bordes no desgastados. Si todos los bordes están desgastados, sustituir el caucho, mediante el procedimiento siguiente:
 - Para sustituir (o volcar) el caucho trasero (4), desenganchar el retén (6), desenroscar los tornillos de mariposa (7) y quitar la cinta de sujeción (10). Instalar en el orden contrario a la remoción.
 - Para sustituir el caucho delantero (3) desenroscar las tuercas (8) y quitar la cinta de sujeción (11). Instalar en el orden contrario a la remoción. Tras haber sustituido (o volcado) los cauchos, ajustar su altura, como indicado en el paso anterior.
4. Reinstalar la boquilla (10, Fig. C) y enroscar las empuñaduras (11).
5. Conectar el tubo de aspiración (26, Fig. C) a la boquilla (10).
6. Si necesario, ajustar ulteriormente la empuñadura de equilibrado (12, Fig. C) de la boquilla.

LIMPIEZA DEL CEPILLO/CEPILLO CILÍNDRICO



¡ADVERTENCIA!
Durante estas operaciones se aconseja ponerse guantes de trabajo, porque residuos cortantes podrían estar en el cepillo.

1. Quitar el cepillo como indicado en el capítulo Uso.
2. Limpiar y lavar el cepillo con agua y detergente.
3. Controlar que las cerdas del cepillo estén en buenas condiciones y no excesivamente desgastadas; de lo contrario, sustituir el cepillo.
4. En la máquina equipada de cabezal portacepillo cilíndrico, quitar el contenedor de residuos (29, Fig. J) tirándolo lateralmente mediante la manilla (30). Vaciar y limpiar el contenedor de residuos, luego instalarlo enganchar los retenes.

LIMPIEZA DE LOS DEPÓSITOS Y DE LA REJILLA DE ASPIRACIÓN CON FLOTADOR

1. Llevar la máquina al área de eliminación designada.
2. Controlar que los interruptores (5 y 6, Fig. B) estén en posición "0".
3. Abrir la tapa (1, Fig. G).
4. Limpiar con agua limpia la tapa (1, Fig. G), los depósitos (4 y 5) y la rejilla (7) del cierre automático de la aspiración.
 Descargar el agua de los depósitos mediante los tubos (17 y 18, Fig. C).
5. Si necesario, desenganchar los retenes (10, Fig. G) y abrir la rejilla (7), recuperar el flotador (11) y limpiarlos con cuidado; luego reinstalarlos.
6. Controlar que la guarnición (2, Fig. E) de la tapa de los depósitos no esté dañada.



NOTA

La guarnición (2) causa la formación de vacío en el depósito, necesaria para la aspiración del agua de recuperación.

Si necesario, quitar la guarnición (2, Fig. G) de su alojamiento (9) para sustituirla. Cuando se instala la nueva guarnición, posicionar su unión (12) en el área (central trasera) que se muestra en la figura.

7. Controlar que la superficie de apoyo (13, Fig. G) de la guarnición (2) no esté dañada y que mantenga la estanqueidad.
8. Controlar que el orificio de compensación (3, Fig. G) no esté obstruido. De lo contrario, limpiarlo.



NOTA

El orificio (3, Fig. G) permite la compensación de aire en los intersticios de la tapa, causando la formación de vacío en el depósito.

9. Cerrar la tapa (1, Fig. G).

LIMPIEZA DEL FILTRO DEL DETERGENTE

1. Girar y cerrar el grifo del detergente (5, Fig. F). Si el grifo no está instalado en la máquina, es necesario vaciar el depósito (5, Fig. G) como indicado en el párrafo específico.
2. Conducir la máquina sobre un suelo llano.
3. Controlar que los interruptores (5 y 6, Fig. B) estén en posición "0".
4. Actuando bajo el lado inferior derecho de la máquina, quitar la tapa transparente (1, Fig. F) y la rejilla filtrante (2); limpiarlas y remontarlas en el soporte (3).



NOTA

Posicionar correctamente la rejilla filtrante (2) en el alojamiento (4) del soporte (3).

CARGA DE LAS BATERÍAS



NOTA

Cargar las baterías cuando los indicadores luminosos amarillo o rojo (3 o 4, Fig. B) se encienden, o al final de cada trabajo. Si se mantienen las baterías cargadas, sus durabilidad aumenta.



¡ADVERTENCIA!

No dejar las baterías descargadas durante mucho tiempo, porque sus durabilidad podría reducirse.

Controlar la carga de las baterías por lo menos una vez por semana.



¡ATENCIÓN!

Cargando las baterías se produce gas hidrógeno muy explosivo. Cargar las baterías sólo en áreas bien ventiladas y lejos de llamas libres.

No fumar cuando se cargan las baterías. El conjunto depósitos debe quedarse abierto mientras que se cargan las baterías.



¡ATENCIÓN!

Tener cuidado mientras se cargan las baterías por que el líquido de batería podría sobresalir. Este líquido es corrosivo. Si entra en contacto con la piel o los ojos lavar a conciencia con agua y consultar un médico.

1. Si presente, descargar el agua de los depósitos (4 y 5, Fig. G) mediante los tubos (17 y 18, Fig. C).
2. Conducir la máquina sobre un suelo llano.
3. Quitar la llave (24, Fig. C) de su alojamiento y quitar el tornillo de fijación del conjunto depósitos (1, Fig. J).



¡ATENCIÓN!

Tener cuidado mientras se cargan las baterías por que el líquido de batería podría sobresalir. Este líquido es corrosivo. Si entra en contacto con la piel o los ojos lavar a conciencia con agua y consultar un médico.

4. Levantar con cuidado el conjunto de los depósitos (2, Fig. J) mediante el manillar (2, Fig. C).
5. Sólo para baterías de plomo:
 - controlar el nivel de electrolito en las baterías; si necesario rellenar a través de los tapones (5, Fig. J);
 - dejar todos los tapones (5) abiertos para la recarga siguiente;
 - limpiar (si necesario) la superficie superior de las baterías.
6. Cargar las baterías según el procedimiento siguiente:

Carga de las baterías mediante el cargador de a bordo

1. Sólo para baterías de plomo:
 - controlar el nivel de electrolito en las baterías; si necesario rellenar a través de los tapones (5, Fig. J);
 - luego, cerrar los tapones (5) y limpiar (si necesario) la superficie superior de las baterías.
2. Conectar la clavija (22, Fig. C) del cargador de batería a la red eléctrica (la tensión y la frecuencia de la red deben ser compatibles con los valores del cargador de batería indicados en la placa del número de serie de la máquina).



NOTA

Cuando el cargador de batería está conectado a la red eléctrica, todas las funciones de la máquina se paran automáticamente.

Cuando el indicador luminoso rojo (4, Fig. B) sobre el panel de mando, se enciende, indica que el cargador está cargando las baterías.

3. Cuando el indicador luminoso rojo (4, Fig. B) se apaga, la batería está cargada.
4. Una vez efectuada la carga, desconectar la clavija (22, Fig. C) del cargador de batería de la red eléctrica y ponerlo a su alojamiento en la máquina.
5. Empuñar el manillar (2, Fig. C) y con cuidado bajar el conjunto de los depósitos (2, Fig. C)
6. Quitar la llave (24, Fig. C) de su alojamiento y quitar el tornillo de fijación del conjunto depósitos (1, Fig. J).
7. La máquina se puede utilizar.



NOTA

Para informaciones suplementarias sobre el cargador de batería consultar el manual relacionado.

CONTROL/SUSTITUCIÓN DE LOS FUSIBLES

1. Desconectar el conector (25, Fig. C) de las baterías.
2. Descargar el agua de los depósitos (4 y 5, Fig. G) mediante los tubos (17 y 18, Fig. C).
3. Quitar la llave (24, Fig. C) de su alojamiento y quitar el tornillo de fijación del conjunto depósitos (1, Fig. J).
4. Levantar con cuidado el conjunto de los depósitos (2, Fig. J) mediante el manillar (2, Fig. C).
5. sólo versiones 20DD: aflojar los tornillos (10, Fig. E) y quitar la tapa (11).
6. sólo versiones 20DD-20DC: controlar/sustituir los fusibles:
 - Fusible tracción (30A): (8, Fig. E);
 - Fusible de protección tarjeta electrónica (2A): (9, Fig. E).
7. sólo versiones 20DD: aflojar las tuercas de mariposa (12, Fig. E) y desplazar por un lado el soporte con la tarjeta electrónica de tracción (13, Fig. E).
8. Desenroscar los tornillos (4, Fig. E) y quitar con cuidado la tapa (5) de la caja de los componentes eléctricos, deslizándola hacia arriba.
9. Controlar/sustituir los fusibles:
 - Fusible de seguridad cepillo (50A): (1, Fig. E)
 - Fusible aspiración (40A): (2, Fig. E)
 - Fusible electroválvula (5A): (3, Fig. E)
10. Instalar en el orden contrario a la remoción.

REMOCIÓN/INSTALACIÓN DEL CABEZAL PORTACEPILLO/PORTAFIELTRO O DEL CABEZAL PORTACEPILLO CILÍNDRICO



NOTA

Las Micromax™ 20DD con número de serie a partir de 1812290, o las Micromax™ 20DC con número de serie a partir de 1812178, se pueden equipar de cabezal portacepillo/portafieltro (9, Fig. C) o cabezal portacepillo cilíndrico (32), según las siguientes instrucciones.

Remoción

1. Si presente, descargar el agua de los depósitos (4 y 5, Fig. G) mediante los tubos (17 y 18, Fig. C).
2. Conducir la máquina sobre un suelo llano.
3. Colocar la llave de encendido (9, Fig. B) en la posición "0".
4. Desconectar el conector (25, Fig. C) de las baterías.
5. Quitar la llave en dotación (24, Fig. C) y desenroscar el tornillo de fijación del conjunto depósitos (1, Fig. J).
6. Empuñar el manillar (2, Fig. C) y con cuidado levantar el conjunto de los depósitos (2, Fig. J).
7. Desconectar el tubo del detergente (19, Fig. J) del cabezal.
8. Desconectar el conector (20, Fig. J) de los motores.
9. Quitar las dos clavijas (21, Fig. J) con los pernos y arandelas relacionados.
10. Quitar la clavija (22, Fig. J) y las chapitas relacionadas.
11. Quitar el cabezal portacepillo/portafieltro (15, Fig. J) o el cabezal portacepillo cilíndrico (25).
12. Según el tipo de cabezal, desmontar el alerón (31, Fig. J) o el alerón (32), desenganchando los retenes interiores.

Instalación

13. Instalar en el orden contrario a la remoción.
 - Con el cabezal portacepillo/portafieltro (15, Fig. J) instalado, colocar el bloque de fijación (23, Fig J) como indicado en la Fig H (1).
 - Con el cabezal portacepillo cilíndrico (25, Fig. J) instalado, colocar el bloque de fijación (23, Fig J) como indicado en la Fig I (1).
 - Para cambiar la posición del bloque de fijación, quitar la clavija (2, Fig. H) con el perno (3) y la arandela relacionados.



¡ATENCIÓN!

Un posicionamiento incorrecto del bloque de fijación puede causar la altura incorrecta del cabezal portacepillo/portafieltro o portacepillo cilíndrico.

FUNCIONES DE SEGURIDAD

El conector rojo (25, Fig. C) puede utilizarse en caso de emergencia para bloquear todas las funciones de la máquina. Si necesario, desconectar el conector mediante la perilla roja relacionada.

BÚSQUEDA AVERÍAS

AVERÍA	PROBABLE CAUSA
Los motores no funcionan; ningún indicador luminoso se enciende.	El conector (25, Fig. C) de las baterías está desconectado.
	Las baterías están completamente descargadas
El motor de aspiración no se activa	El fusible está quemado
La aspiración del agua sucia es insuficiente	El depósito de recuperación (4, Fig. G) está lleno
	La rejilla de aspiración (7 Fig. H) está obstruida o el flotador cerrado
	El tubo (26, Fig. C) está desconectado de la boquilla
	La boquilla (10, Fig. C) está sucia o los cauchos de la boquilla están desgastados/dañados
El flujo del detergente al cepillo es insuficiente	La tapa de los depósitos no está cerrada correctamente o la guarnición (2, Fig. G) está dañada o el orificio de compensación (3, Fig. G) está obstruido.
	El filtro del detergente (2, Fig. F) está sucio
La boquilla causa estriados	El depósito (5, Fig. G) está sucio (obstrucción del orificio de salida)
	Hay residuos bajo de los cauchos de la boquilla
	Los cauchos de la boquilla están desgastados, astillados o desgarrados
La tracción no funciona (*)	La boquilla no está equilibrada mediante la empuñadura (12, Fig. C)
	El conector (25, Fig. C) de las baterías está desconectado.
	La llave (9, Fig. B) está en posición "0"
	El regulador de velocidad (11, Fig. B) está completamente girado en sentido antihorario
El fusible de tracción (8, Fig. E) está quemado	Funcionamiento incorrecto de la tarjeta electrónica debido a sobrecarga o sobrecalentamiento; esperar durante 5 minutos antes de reactivar el sistema girando la llave (9, Fig. B)

(*):sólo versiones 20DD-20DC



NOTA

Si el cargador de batería está averiado, acudir a un Centro de asistencia Advance.

Para informaciones suplementarias consultar el Manual de asistencia cerca de los Centros de asistencia Advance.

ELIMINACIÓN

Eliminar la máquina cerca de un demoledor calificado.

Antes de eliminar la máquina es necesario quitar los siguientes componentes:

- Baterías
- Cepillo
- Filtro
- Motores eléctricos
- Tarjetas electrónicas



¡ADVERTENCIA!

Recoger y eliminar los componentes quitados de la máquina según las actuales normas de higiene ambiental.

INTRODUÇÃO	2
PROPÓSITO E CONTEÚDO DO MANUAL	2
DESTINATÁRIOS	2
CONSERVAÇÃO DO MANUAL	2
DADOS DE IDENTIFICAÇÃO	2
OUTROS MANUAIS DE REFERÊNCIA	2
PEÇAS DE REPOSIÇÃO E MANUTENÇÃO	2
MODIFICAÇÕES E MELHORIAS	2
SEGURANÇA	2
SÍMBOLOS	2
INSTRUÇÕES GERAIS	2
DESEMBALAGEM	3
DESCRIÇÃO DA MÁQUINA	3
LAVADORA AUTOMÁTICA DE PISOS MICROMAX™ 17B–20B/20DC–20DD	3
DADOS TÉCNICOS	5
DIAGRAMAS ELÉTRICOS	6
PROTEÇÕES ELÉTRICAS	6
ACESSÓRIOS/OPÇÕES	6
USO	7
VERIFICAÇÃO/CONFIGURAÇÃO DE BATERIA EM UMA MÁQUINA NOVA	7
INSTALAÇÃO E DEFINIÇÃO DE TIPO DE BATERIA (WET OU GEL)	7
INSTALAÇÃO/SUBSTITUIÇÃO DA CABEÇA	8
PARTIDA E PARADA DA MÁQUINA	8
OPERAÇÃO DA MÁQUINA	9
ESVAZIAMENTO DE TANQUE	9
APÓS O USO DA MÁQUINA	9
DESATIVAÇÃO PROLONGADA DA MÁQUINA	9
PERÍODO INICIAL DE USO	9
MANUTENÇÃO	10
TABELA DE MANUTENÇÃO PROGRAMADA	10
LIMPEZA DO RODO	10
INSPEÇÃO/SUBSTITUIÇÃO DAS BORRACHAS DO RODO	11
LIMPEZA DAS ESCOVAS/ESCOVAS CILÍNDRICAS	11
LIMPEZA DO TANQUE E DA GRADE DE ASPIRAÇÃO COM BÓIA	11
LIMPEZA DO FILTRO DE DETERGENTE	11
CARGA DE BATERIAS	12
INSPEÇÃO/REPOSIÇÃO DE FUSÍVEIS	12
REMOÇÃO/INSTALAÇÃO DO COMPARTIMENTO DA ESCOVA/PORTA-FILTRO OU DO COMPARTIMENTO DAS ESCOVAS CILÍNDRICAS	13
FUNÇÕES DE SEGURANÇA	13
LOCALIZAÇÃO DE DEFEITOS	13
DESCARTE	14

INTRODUÇÃO

PROPÓSITO E CONTEÚDO DO MANUAL

Este manual tem por finalidade fornecer ao Cliente todas as informações necessárias para o uso correto, seguro e autônomo da máquina. O manual compreende informações inerentes à parte técnica, ao funcionamento, ao desligamento da máquina, à manutenção, às peças de substituição e à segurança.

Antes de realizar qualquer procedimento na máquina, operadores e técnicos qualificados devem ler este manual de manutenção cuidadosamente. Em caso de dúvidas sobre a interpretação correta das instruções, entre em contato com o Serviço de Assistência Técnica Autorizado para obter mais informações.

DESTINATÁRIOS

Este Manual destina-se ao Operador e Técnico(s) qualificados para realizar a manutenção da máquina.

CONSERVAÇÃO DO MANUAL

O Manual de Instruções de Uso deve ser mantido próximo à máquina, dentro de um compartimento adequado, protegido contra líquidos e outras substâncias que possam danificá-lo.

DADOS DE IDENTIFICAÇÃO

O número de série e modelo da máquina estão gravados na placa identificadora no tanque, legíveis pelo lado externo (1, Fig. C).

O ano de fabricação é exibido após o Código de Data na placa de identificação de série (A05 significa janeiro de 2005).

Estas informações são úteis na solicitação de peças de reposição para a máquina. Use o espaço abaixo para anotar os dados de identificação de sua máquina, para uma referência futura.

Modelo da MÁQUINA
Número de série da MÁQUINA.....

OUTROS MANUAIS DE REFERÊNCIA

- Manual do carregador eletrônico da bateria, que deve ser considerado parte integrante deste Manual.
- Além disso, encontram-se disponíveis os seguintes Manuais:
 - Manual de Assistência Técnica, pode ser consultado nos Serviços de Assistência Técnica Advance.
 - Catálogo das peças de reposição, fornecido com a máquina.

PEÇAS DE REPOSIÇÃO E MANUTENÇÃO

Os procedimentos de operação, manutenção e reparos devem ser realizados por técnicos qualificados ou nos Serviços de Assistência Técnica Autorizados da Nilfisk-Advance. Use sempre peças de reposição e acessórios originais.

Para assistência e para encomendar peças de reposição e acessórios, entre em contato com a Nilfisk-Advance, especificando sempre o modelo e o número de série da máquina.

MODIFICAÇÕES E MELHORIAS

A nossa empresa está em constante processo de aperfeiçoamento de seus produtos, reservando-se assim o direito de fazer modificações e melhorias a seu critério, sem obrigação de aplicar tais modificações e melhorias às unidades previamente vendidas.

Qualquer modificação e/ou acréscimo de acessórios devem ser aprovados e realizados pelo Fabricante.

SEGURANÇA

São utilizados os seguintes símbolos para assinalar eventuais situações de perigo. Leia as informações cuidadosamente e tome as medidas de precaução necessárias para a proteção de pessoas e objetos. A cooperação do operador é essencial na prevenção de acidentes. Nenhum programa de prevenção de acidentes é eficaz sem a total cooperação da pessoa responsável pela operação da máquina. A maioria dos acidentes que podem ocorrer em uma fábrica, durante o trabalho ou movimentação, é causada pela não observação das mais elementares normas de prudência. Um operador atento e prudente é a melhor garantia na prevenção de acidentes e indispensável para a realização bem-sucedida de qualquer programa de prevenção de acidentes.

SÍMBOLOS



PERIGO!
Indica um perigo com risco, até mortal, para o operador.



ATENÇÃO!
Indica um risco potencial de acidente para as pessoas e objetos.



ADVERTÊNCIA!
Indica uma advertência ou um comentário sobre funções importantes ou úteis. Os parágrafos marcados com este símbolo exigem o máximo de atenção.



CONSULTA
Consulte as Instruções de Uso antes de executar qualquer operação.

INSTRUÇÕES GERAIS

A seguir, a descrição de advertências e alertas específicos quanto a riscos potenciais às pessoas e máquinas.



PERIGO!

- Desconecte a bateria usando o conector apropriado antes de executar qualquer procedimento de manutenção ou reparação.
- Esta máquina deve ser utilizada unicamente por pessoal especialmente treinado e autorizado. O uso desta máquina é proibido para crianças ou portadores de deficiências.
- Mantenha a bateria longe de fontes de faísca, chamas e materiais incandescentes. Durante a operação normal, ocorre a liberação de gases explosivos.
- Não use acessórios/jóias/bijuterias ao trabalhar próximo a componentes elétricos.

- Não trabalhe sob a máquina suspensa sem que ela esteja devidamente presa.
- Não opere com esta máquina em espaços onde existam poeiras, líquidos ou vapores nocivos, perigosos, inflamáveis e/ou explosivos.
- O carregamento das baterias produz hidrogênio, um gás altamente explosivo. Mantenha o conjunto de tanques abertos durante o carregamento da bateria, e faça esta operação somente em áreas bem-ventiladas, longe de chamas expostas.
- No caso da substituição de peças, solicite as peças de reposição ORIGINAIS a um concessionário ou revendedor autorizado.
- Para assegurar condições seguras e adequadas de operação da máquina, somente pessoas autorizadas, ou o Serviço de Assistência Técnica autorizado deve realizar a Manutenção Programada descrita no capítulo correspondente deste Manual.
- A máquina não deve ser abandonada, no final de seu ciclo de vida, devido à presença de materiais tóxicos nocivos (óleo, etc.), sujeitos às normas que prevêm a entrega em centros especializados (consulte o capítulo Fim da vida útil da máquina).
- Quando a máquina é usada conforme as instruções, as vibrações geradas não representam perigo. O nível de vibração da máquina é inferior a $2,5 \text{ m/s}^2$.
- Evite deixar que objetos penetrem nas aberturas da máquina. Não utilize a máquina caso as aberturas estejam bloqueadas; mantenha as aberturas da máquina livres de pó, fios, pêlos e qualquer outro corpo estranho que possa reduzir o fluxo de ar.
- A máquina não pode ser utilizada em rodovias ou vias públicas.
- Preste atenção durante o transporte da máquina quando as condições de temperatura forem negativas. A água no tanque de recuperação ou nas mangueiras pode congelar e danificar a máquina.
- Use somente as escovas e os feltros fornecidos com a máquina, conforme especificado nas Instruções de uso. O uso de outras escovas ou feltros pode comprometer a segurança.



ATENÇÃO!

- Leia cuidadosamente todas as instruções de manutenção/repairs antes de executar qualquer uma dessas atividades.
- Antes de utilizar o carregador de bateria, certifique-se de que a frequência e a tensão indicadas na placa de série da máquina correspondem aos dados da rede elétrica.
- Tome as precauções necessárias para evitar prender o cabelo, jóias/ bijuterias ou vestimentas soltas nas peças móveis e de aspiração da máquina.
- Não fume durante o carregamento das baterias.
- Não deixe a máquina sem supervisão sem antes certificar-se de que ela esteja bem fixada.
- Não utilize a máquina em superfícies cuja inclinação seja superior àquele indicado na máquina.
- Não utilizar jatos de água pressurizados ou substâncias corrosivas na limpeza da máquina.
- Não use a máquina em ambientes excessivamente empoeirados.
- Tenha cuidado durante a operação da máquina, protegendo as pessoas de possíveis acidentes.
- A temperatura de armazenamento deve estar compreendida entre 0°C e $+40^\circ\text{C}$ ($+32^\circ\text{F}$ a $+104^\circ\text{F}$).
- A temperatura de operação da máquina deve estar entre 0°C e $+40^\circ\text{C}$ ($+32^\circ\text{F}$ a $+104^\circ\text{F}$).
- A umidade deve estar entre 30% e 95%.
- Proteja sempre a máquina do sol, chuva e outras intempéries, seja em estado de funcionamento ou parada.
- Não utilize a máquina como meio de transporte.
- A escova não deve ser operada com a máquina parada, ou provocará danos ao piso.
- Em caso de incêndio use um extintor de pó químico. Não use água.
- Não encoste em prateleiras ou andaimes, principalmente se houver o perigo de queda de objetos.
- Não viole, em nenhum caso, as proteções previstas para a máquina; respeite cuidadosamente as instruções previstas para a manutenção periódica.
- Não remova ou modifique as placas afixadas na máquina.
- No caso de serem verificadas anomalias no funcionamento da máquina, certifique-se de que não se devem à falta de manutenção periódica. Do contrário, solicite assistência técnica de pessoal autorizado ou de um Serviço de Assistência Técnica autorizado.

DESEMBALAGEM

Para desembalar a máquina, siga cuidadosamente as instruções na embalagem.

Na entrega, verifique se a máquina e sua embalagem não foram danificadas durante o transporte. Se houver os danos evidentes, conserve a embalagem de modo que possa ser vista pela empresa responsável pelas entregas. Contate a transportadora imediatamente para preencher uma solicitação de indenização por danos.

Verifique se os seguintes componentes acompanham a máquina:

1. Documentação técnica:
 - Instruções de Uso
 - Manual do carregador eletrônico da bateria
 - Catálogo de peças de reposição
2. Fusível laminado nº 1

DESCRIÇÃO DA MÁQUINA

LAVADORA AUTOMÁTICA DE PISOS MICROMAX™ 17B–20B/20DC–20DD

A lavadora/secadora automática de pisos é usada para limpar (lavar e secar) pisos lisos e sólidos, em ambiente civil ou industrial, sob condições seguras de operação por um operador qualificado.

A lavadora automática de pisos não deve ser usada na limpeza de carpetes e tapetes.

CONVENÇÕES

Todas as referências, para frente, para trás, dianteiro, traseiro, direito e esquerdo indicadas neste manual, devem ser entendidas como em relação ao operador com as mãos na barra de direção (2, Fig. C).

Painel de controle e comandos

(Veja a Fig. B)

1. Painel de controle e comandos
2. Luz de advertência (verde) de bateria carregada
3. Luz de advertência (amarela) de bateria semi-descarregada
4. Luz de advertência (vermelha) de bateria descarregada
5. Interruptor da escova/porta-filtro/escovas cilíndricas (*)
6. Interruptor de aspiração
7. Alavanca de regulagem do fluxo de detergente
8. Parafusos de montagem do painel de controles e comandos
9. Chave de ignição (*)
10. Alavancas de controle de tração (*)
11. Regulador de velocidade de tração (*)

(*) somente versões 20DD-20DC

Visão externa posterior

(Veja a Fig. C)

1. Placa com número de série / dados técnicos
2. Barra de direção
3. Alavancas de ajuste de inclinação da barra de direção
4. Porta-objeto
5. Tampa do tanque
6. Rodas traseiras, direção
7. Rodas dianteiras em eixo fixo
8. Escova/porta-filtro
9. Compartimento da escova/porta-filtro
10. Rodo
11. Botões de fixação do rodo
12. Botão de regulagem do rodo
13. Borracha dianteira do rodo
14. Borracha traseira do rodo
15. Gancho de fixação da borracha traseira
16. Porcas-borboleta
17. Mangueira de descarga da água de recuperação
18. Mangueira de descarga de detergente
19. Alavanca de elevação do rodo
20. Pedal de elevação da escova
21. Filtro de detergente
22. Tomada do carregador de bateria
23. Cabo do carregador de bateria
24. Chave de poca fornecida
25. Conector de alças (vermelhas) para conexão de bateria
26. Mangueira de aspiração do rodo
27. Marcas de nível do tanque de detergente
28. Torneira de detergente
29. Tira de borracha
30. Aerofólio dianteiro do compartimento da escova/porta-filtro
31. Escovas cilíndricas
32. Compartimento das escovas cilíndricas
33. Aerofólio dianteiro para o compartimento das escovas cilíndricas
34. Rolos antichoque

Visão geral da tampa sob o tanque

(Veja Fig. G)

1. Tampa tanque (aberta)
2. Vedação da tampa do tanque
3. Orifício de compensação
4. Tanque de água de recuperação
5. Tanque de detergente
6. Orifício de aspiração da água de recuperação
7. Grade de aspiração com bóia de fechamento automático
8. Orifício de descarga da água de recuperação
9. Compartimento de vedação
10. Retentores da grade de aspiração
11. Bóia
12. Ponto de junção da vedação
13. Superfície de contato da vedação

Vistas dianteiras

(Veja Fig. J)

1. Parafuso de fixação lateral do conjunto de tanques
2. Conjunto de tanques (aberto)
3. Motor de aspiração
4. Baterias
5. Tampas para bateria
6. Carregador eletrônico da bateria
7. Luz de advertência de bateria carregada
8. Seletor de bateria de chumbo (WET) ou gel (GEL) (colocado no carregador eletrônico)
9. Caixa elétrica
10. Diagrama de montagem das baterias
11. Caixa elétricas do sistema de tração (*)
12. Motor da escova/porta-filtro
13. Botão de ajuste de velocidade do movimento de avanço da máquina, com escova/porta-filtro
14. Botão de ajuste do movimento de avanço da máquina, com a escova/porta-filtro
15. Compartimento da escova/porta-filtro
16. Escova
17. Porta-filtro
18. Filtro
19. Mangueira de detergente para a escova/escovas cilíndricas
20. Conector de ligação dos motores da escova/porta-filtro
21. Contrapino do compartimento
22. Contrapino do compartimento
23. Bloco de fixação
24. Motor das escovas cilíndricas
25. Compartimento das escovas cilíndricas
26. Escovas cilíndricas
27. Porta das escovas cilíndricas
28. Volante da porta das escovas cilíndricas
29. Gaveta de detritos das escovas cilíndricas
30. Pegador da gaveta de detritos
31. Aerofólio dianteiro do compartimento da escova/porta-filtro
32. Aerofólio dianteiro do compartimento das escovas cilíndricas

(*) somente versões 20DD-20DC

DADOS TÉCNICOS

Dimensões	17B	20B	20DD	20DC
Largura de limpeza	430 mm (17 pol)	508 mm (20 pol)		
Largura do rodo	770 mm (30,3 pol)			
Largura da máquina sem o rodo	492 mm (19,3 pol)	524 mm (20,6 pol)		585,5 mm (23,0 pol)
Peso da máquina com a barra de direção levantada	1.073 mm (42,2 pol)			
Altura da máquina com barra de direção abaixada	943 mm (37,1 pol)			
Comprimento da máquina com a barra de direção levantada	1.187 mm (46,7 pol)	1.242 mm (48,9 pol)	1.285 mm (50,5 pol)	1.220 mm (48,0 pol)
Extensão da máquina com barra de direção abaixada	1.040 mm (40,9 pol)	1.180 mm (46,5 pol)		1.115 mm (43,8 pol)
Diâmetro da escova/porta-filtro	430 mm (17 pol)	508 mm (20 pol)		—
Diâmetro das escovas cilíndricas	—			110 mm (4,33 pol)
Extensão das escovas cilíndricas	—			485 mm (19,0 pol)
Inclinação máxima suportável	2%			
Capacidade do tanque de recuperação	36 litros (9,6 galões)			
Capacidade do tanque de detergente	36 litros (9,6 galões)			
Ajuste do fluxo do detergente	De 0 a 1,75 litros por minuto (de 0 a 0,46 galões por minuto)			
Diâmetro das rodas dianteiras	170 mm (6,7 pol)			
Pressão específica das rodas dianteiras no piso	Inferior a 0,5 N/mm ²			
Diâmetro das rodas traseiras	80 mm (3,1 pol)			
Peso líquido (sem as baterias e com os tanques vazios)	87,2 Kg (191,8 lb)	89,5 Kg (196,9 lb)	97,5 Kg (214,5 lb)	98,5 Kg (216,7 lb)
Potência do motor da escova/porta-filtro	520 W			—
Potência do motor das escovas cilíndricas	—			400 W
Velocidade da escova/porta-filtro	165 rpm			—
Velocidade das escovas cilíndricas	—			570 rpm
Pressão da escova/porta-filtro	27 Kg (59,4 lb)	29,5 Kg (64,9 lb)		—
Pressão das escovas cilíndricas	—			30,5 Kg (67,1 lb)
Potência do motor de aspiração	380 W			
Fluxo máximo de ar	32,5 litros/seg (68,4 cfm)			
Capacidade de aspiração	1.246 mmH ₂ O (47,4 inH ₂ O)			
Potência do motor de tração	—		130 W	
Velocidade de tração (variável)	De 0 a 5,2 km/h (de 0 a 3,2 mph)			
Nível de pressão acústica (na estação de trabalho) EN 3744	65 dB(A)			
Baterias padrão	2x12V 105 Ah WET		2x12V 130 Ah WET	
Tensão nominal das baterias	24V			
Tamanho do compartimento de baterias	350x350x300 mm (13,8x13,8x11,8 pol)			
Grade de proteção	IPX4			
Aprovação ETL	Sim			

DIAGRAMAS ELÉTRICOS

Diagramas elétricos para equipamentos opcionais diferentes (veja Fig. K e L).

CH1	Carregador de bateria
C1	Conector da bateria
EB1	Placa eletrônica (CFBA430)
EB2	Placa de LED (CFBALED)
EB3	Placa eletrônica de tração
ES1	Interruptor eletromagnético de escova
ES2	Interruptor eletromagnético de aspiração
EV1	Válvula solenóide de água
F1	Fusível da escova (50A)
F2	Fusível de aspiração (40A)
F3	Válvula de água e fusível eletrônico (5A)
F4	Fusível de tração (30A)
IS1	Isolante negativo
IS2	Isolante positivo
K1	Chave de ignição
M1	Motor de escova
M2	Motor de aspiração
M3	Motor de tração
R1	Regulador de velocidade de tração
SW1	Interruptor de escova
SW2	Interruptor de aspiração
SW3	Micro-interruptor de controle de tração
SW4	Micro-interruptor do motor de tração

Código de cores

BK	Preto
BU	Azul
BN	Marrom
GN	Verde
GY	Cinza
OG	Laranja
PK	Rosa
RD	Vermelho
VT	Violeta
WH	Branco
YE	Amarelo

PROTEÇÕES ELÉTRICAS

Fusíveis

Fusível de segurança da escova (50 A): (1, Fig. E)

Fusível de aspiração (40 A): (2, Fig. E)

Fusível da válvula solenóide (5 A): (3, Fig. E)

Fusível de tração (30 A): (8, Fig. E) (*)

Fusível de proteção da placa eletrônica (2A): (9, Fig. E) (*)

(*) somente versões 20DD-20DC

Sistema eletrônico de proteção contra sobrecarga do motor das escovas

Este sistema opera quando o motor das escovas entra em sobrecarga.

Sua operação é indicada por três luzes de advertência (2, 3 e 4, Fig. B), piscando simultaneamente; após alguns segundos, o motor de escovas pára.

Para ligar o motor de novo, é preciso eliminar o motivo da sobrecarga, que pode ser:

- a escova está muito pressionada contra o piso;
- a escova está bloqueada pela aspereza do piso ou por um objeto estranho;
- a rotação da escovas diminui por conta de sujeiras, cordas ou pedaços de pano enroscados no eixo de rotação;
- a fricção entre a escova e o piso é excessiva [aumente a quantidade de detergente usando a alavanca de controle adequada (7, Fig. B)].

Depois de eliminada a causa da sobrecarga, reinicie o sistema conforme as instruções abaixo:

- (versões 20B) pare a máquina usando os interruptores (5 e 6, Fig. B), colocando-os na posição "0".
- (versões 20DD) pare a máquina girando a chave de ignição (9, Fig. B) na posição "0".

Feito isso, a máquina pode ser reiniciada, conforme a descrição dada no respectivo capítulo.

Sistema eletrônico de proteção contra sobrecarga do motor de tração (somente versões 20DD-20DC)

Este sistema opera quando o motor de tração entra em sobrecarga.

Sua operação é indicada pela parada do motor de tração.

Depois de algum tempo, o sistema pode ser restaurado, parando a máquina, e girando a chave de ignição (9, Fig. B) na posição "0".

Feito isso, a máquina pode ser reiniciada, conforme a descrição dada no respectivo capítulo.

ACESSÓRIOS/OPÇÕES

Além dos componentes padrão, a máquina pode ser equipada com os seguintes acessórios/opções, de acordo com a utilização específica da máquina:

1. Baterias a gel
2. Escovas de materiais diferentes
3. Feltros de materiais diferentes
4. Borrachas para rodo à prova de oleosidade
5. Proteção contra respingos
6. Lâminas de borracha natural

Para mais informações sobre os acessórios opcionais, consulte um revendedor autorizado.

USO



ATENÇÃO!
Algumas partes da máquina contêm placas adesivas que indicam:

- PERIGO
- ATENÇÃO
- ADVERTÊNCIA
- CONSULTA

Durante a leitura do Manual, o Operador deve ler cuidadosamente o significado dos símbolos. As placas não devem ser cobertas em hipótese alguma; substitua-as imediatamente quando danificadas.

VERIFICAÇÃO/CONFIGURAÇÃO DE BATERIA EM UMA MÁQUINA NOVA



ATENÇÃO!

- Os componentes elétricos desta máquina podem ser danificados pela instalação ou conexão incorreta das baterias. As baterias devem ser instaladas somente por pessoas qualificadas. Regule a placa eletrônica da máquina e o carregador de bateria integrado de acordo com o tipo de bateria utilizado (baterias de chumbo ou gel).
- Inspeccione as baterias quanto a danos antes da instalação.
- Desconecte o conector da bateria ou a tomada do carregador de baterias.
- Mova as baterias com cuidado.
- Certifique-se de que os cabos do carregador de baterias estão devidamente ligados aos terminais das baterias, na polaridade correta.
- Instale as tampas de proteção dos terminais da bateria fornecidas com a máquina.

A máquina precisa de duas baterias de 12 V, ligadas conforme o diagrama (10, Fig. J).

A máquina pode ser colocada nos seguintes modos:

a) Baterias (chumbo ou gel) fornecidas e já instaladas na máquina, prontas para uso.

1. Verifique se as baterias estão ligadas à máquina através do conector (25, Fig. C).
2. Ligue a máquina usando o interruptor de escova e aspiração (5 e 6, Fig. B). Se a luz de advertência verde (2, Fig. B) se acender, as baterias estão prontas para uso. Caso as luzes de advertência amarela ou vermelha (3 ou 4, Fig. B) se acendam, é necessário carregar as baterias (veja o procedimento no capítulo Manutenção).

b) Baterias de chumbo instaladas na máquina, sem eletrólito líquido.

1. Remova a chave (24, Fig. C) de seu compartimento e remova o parafuso de fixação do conjunto de tanques (1, Fig. J).
2. Segure a barra de direção (2, Fig. C) e levante com cuidado o conjunto de tanques (2, Fig. J).
3. Remova as tampas da bateria (5, Fig. J).



ATENÇÃO!

Preste muita atenção ao trabalhar com ácido sulfúrico, altamente corrosivo. Em caso de contato do fluido com a pele ou olhos, lave abundantemente com água e consulte um médico.

As baterias devem ser abastecidas em uma área bem ventilada.

Use luvas de proteção.

4. Abasteça cada unidade de bateria com ácido sulfúrico para baterias (densidade de 1,27 a 1,29 kg a 25°C), conforme as instruções especificadas no Manual de Instruções da Bateria.
A quantidade correta de ácido sulfúrico está indicada no Manual de Instruções da Bateria.
5. Para evitar danos aos pisos, seque com um pano a água e ácido sulfúrico restantes na parte superior das baterias após a carregar.
6. Deixe as baterias em repouso por alguns minutos, e encha com ácido sulfúrico, conforme as instruções especificadas no Manual de Uso das Baterias.
7. Carregue as baterias (veja o procedimento no capítulo Manutenção).

c) Baterias não fornecidas

1. Compre baterias adequadas [veja o parágrafo Dados Técnicos e o diagrama das instalações (10, Fig. J)]. Procure um revendedor qualificado para escolher e instalar a bateria.
2. Instale e ajuste as baterias (WET ou GEL) e carregador conforme o tipo de bateria, descrito abaixo.

INSTALAÇÃO E DEFINIÇÃO DE TIPO DE BATERIA (WET OU GEL)

Com base no tipo de bateria escolhido (chumbo ou gel), faça o ajuste na placa eletrônica da máquina e no carregador de baterias, seguindo as instruções abaixo:

Ajuste da máquina

1. Certifique-se que o conector da bateria (25, Fig. C) foi completamente desligado.
2. Remova a chave (24, Fig. C) de seu compartimento e remova o parafuso de fixação do conjunto de tanques (1, Fig. J).
3. Segure a barra de direção (2, Fig. C) e levante com cuidado o conjunto de tanques (2, Fig. J).
4. A configuração de fábrica da máquina é para baterias de chumbo (WET). Se esta configuração corresponde ao tipo de bateria escolhido, prossiga com a etapa 8, caso contrário, execute as etapas 5, 6 e 7.
5. Solte os parafusos (4, Fig. E) e remova cuidadosamente a tampa da caixa de componentes elétricos (5), deslizando-a para cima.
6. Mova o micro-interruptor (6, Fig. E) para cima, na posição GEL.



ATENÇÃO!

Não mova o interruptor adjacente (7, Fig. E).

7. Reinstale a tampa da caixa de componentes elétricos (5, Fig. E) e aperte os parafusos (4).

Ajuste do carregador de baterias

8. Mova o seletor do carregador de baterias (8, Fig. J) para a posição WET para baterias de chumbo ou na posição GEL para baterias a gel.

Instalação e carregamento das baterias

- Instale as baterias na máquina conforme o diagrama (10, Fig. J).
- Carregue as baterias (veja o procedimento no capítulo Manutenção).



NOTA

A máquina não opera corretamente se o carregador não estiver conectado às baterias.

INSTALAÇÃO/SUBSTITUIÇÃO DA CABEÇA

Nas versões 20DC e 20DD podem ser instaladas tanto o compartimento da escova/porta-filtro (9, Fig. C) e o compartimento das escovas cilíndricas (32). Para instalação/substituição, veja o capítulo Manutenção.

Instalação/substituição da escova ou do porta-filtro

- Na máquina com o compartimento relacionado instalado (9, Fig. G) pode ser instalada a escova (16, Fig. J) ou porta-filtro (17) com o feltro (18) de acordo com o tipo de piso.
- Levante o compartimento da escova/porta-filtro (9, Fig. C) usando o pedal (20).
- Posicione a escova/porta-filtro (16/17, Fig. J) sob o compartimento da escova/porta-filtro.
- Abaixe o compartimento da escova/porta-filtro (9, Fig. C) usando o pedal (20).
- Pressione o interruptor da escova (5, Fig. B) por alguns segundos para engatar a escova/porta-filtro.

Instalação das escovas cilíndricas

- Levante o compartimento das escovas cilíndricas (32, Fig. C) usando o pedal (20).
- Coloque a chave de ignição (9, Fig. B) em "0" e retire-a.
- Remova os volantes (28, Fig. J) e as portas (27) empurrando-as para baixo, pressionando o volante.
- Instale as escovas cilíndricas (26, Fig. J). As escovas cilíndricas podem ser instaladas em ambos os lados.
- Reinstale as portas (27, Fig. J) e fixe-as com os volantes (28).

Instalação do rodo

- Instale o rodo (10, Fig. C) e prenda-o com os botões (11), depois conecte a mangueira (26) ao rodo.
- Use o botão (12, Fig. C) para ajustar o rodo, de forma que a borracha traseira (14) encoste no piso em toda sua extensão, e a borracha dianteira (13) esteja ligeiramente elevada do piso.

Ajustes

- Usando as alças (3), ajuste a barra de direção (2, Fig. C) para obter uma posição confortável.

Abastecimento do tanque de detergente

- Abra a tampa (1, Fig. G) do tanque.
- Encha o tanque de detergente (5, Fig. G) com um detergente apropriado para o tipo de limpeza a ser realizado.

É possível verificar o nível de detergente no tanque através das marcas (27, Fig. C).

Não encha o tanque completamente, deixe alguns centímetros livres no nível de detergente.

Siga sempre as instruções de diluição indicadas na etiqueta do produto químico usado no detergente.

A temperatura do detergente não deve ultrapassar 40°C (100°F).



ADVERTÊNCIA!

Use somente detergentes não inflamáveis e que produzem pouca espuma, adequados para a máquina.

PARTIDA E PARADA DA MÁQUINA

Partida da máquina

- Prepare a máquina como descrito no parágrafo anterior.
- Abaixe o rodo (10, Fig. C) usando a alavanca (19).
- Abaixe a escova (8, Fig. C) usando o pedal (20).
- Posicione a alavanca de regulação do fluxo de detergente (7, Fig. B) na posição mais adequada, dependendo do tipo de limpeza a ser realizado.
- Mantenha uma mão na barra de direção (2, Fig. C), dê partida na máquina usando os interruptores de escova e aspiração (5 e 6, Fig. B).



NOTA

Se a luz de advertência verde se acende (2, Fig. B), ela indica que a máquina está pronta para o uso. Se acender a luz de advertência amarela ou vermelha (3 ou 4, Fig. B), isso indica que é preciso carregar as baterias antes de iniciar a limpeza (veja o procedimento no capítulo Manutenção).

Parada da máquina

- Desligue os interruptores de escova e aspiração (5 e 6, Fig. B), na posição "0".
- Levante a escova usando o pedal (20, Fig. C).
- Levante o rodo usando a alavanca (19, Fig. C).
- (somente versões 20DD): Gire a chave (9, Fig. B) na posição "0".

OPERAÇÃO DA MÁQUINA

1. Dê partida na máquina, conforme descrito no parágrafo anterior.
2. Segure a barra de direção com as duas mãos (2, Fig. C), manobre a máquina e inicie a lavagem/secagem do piso.

(somente versões 20DD-20DC): Empurrando as alavancas (10, Fig. B), ambas no sentido horário, e depois no sentido anti-horário, a máquina é abastecida; a retro-alimentação não é realizada.

A velocidade transversal pode ser ajustada, girando o regulador (11, Fig. B).

Para empurrar a máquina para trás, ou realizar curvas em raios muito estreitos, o controle transversal precisa estar desconectado, soltando as alavancas (10, Fig. B).



ADVERTÊNCIA!

Para evitar danificar a superfície do piso, pare a rotação da escova através do interruptor (5, Fig. B) quando a máquina ficar parada em um lugar.



ADVERTÊNCIA!

Antes de levantar a escova/porta-filtro, pare a rotação, desligando o interruptor (5, Fig. B).

Controles de acionamento da máquina.

3. Dependendo do tipo de piso, ou do uso da escova ou do porta-filtro, a velocidade de tração de avanço da máquina e movimento retilíneo (sem virar à esquerda ou à direita) podem ser modificados.

Eles podem ser ajustados usando dois botões (13 e 14, Fig. J) na escova, procedendo da seguinte maneira:

- A máquina se movimenta para a esquerda quando o botão de ajuste (14, Fig. J) é girado no sentido anti-horário; o movimento para a direita é obtido girando o botão do sentido horário.
- A velocidade da máquina aumenta quando o botão de ajuste (13, Fig. J) é girado no sentido anti-horário; a velocidade da máquina diminui girando o botão do sentido horário.

ESVAZIAMENTO DE TANQUE



NOTA

Um sistema de fechamento automático da bóia (7, Fig. G) bloqueia o sistema de aspiração quando o tanque de recuperação (4) está cheio.

O bloqueio do sistema de aspiração é indicado pelo aumento repentino na frequência de ruído do motor de aspiração.

Para esvaziar o tanque de água de recuperação (4, Fig. G), siga o procedimento descrito a seguir:

Esvaziamento do tanque da água de recuperação

1. Pare a máquina usando os interruptores de escova e aspiração (5 e 6, Fig. B).
2. Levante a escova/porta-filtro usando o pedal (20, Fig. C).
3. Levante o rodo usando a alavanca (19, Fig. C).
4. Leve a máquina para a área de descarte indicada.
5. Esvazie o tanque de recuperação usando a mangueira (17, Fig. C). Ao concluir a limpeza, lave o tanque com água limpa.

Esvaziamento do tanque de detergente

6. Execute os passos de 1 a 4.
7. Esvazie o tanque de detergente usando a mangueira (18, Fig. C). Ao concluir a limpeza, lave o tanque com água limpa.

Esvaziamento da gaveta de detritos das escovas cilíndricas (unicamente para o compartimento das escovas cilíndricas)

8. Pare a máquina usando os interruptores de escova e aspiração (5 e 6, Fig. B).
9. Com o compartimento das escovas cilíndricas (25, Fig. J) abaixado, remova o recipiente de detritos (29) puxando-o lateralmente com o pegador (30).
10. Esvazie o recipiente de detritos (29, Fig. J), em seguida instale e encaixe os retentores relacionados.

APÓS O USO DA MÁQUINA

Ao concluir o trabalho, antes de guardar a máquina:

1. Remova a escova/porta-filtro como segue:
 - **Escova/porta-filtro:** com o compartimento da escova/porta-filtro levantado, gire o interruptor de escova (5, Fig. B) para a posição "I"; após alguns segundos, desligue o interruptor, colocando-o de volta à posição "0" e assim, soltando a escova/porta-filtro.
 - **Escovas cilíndricas:** com o compartimento das escovas cilíndricas levantado, solte os volantes (28, Fig. J) e remova as portas (27) empurrando-as para baixo, pressionando os volantes. Remova as escovas cilíndricas (26, Fig. J). Reinstale as portas (27, Fig. J) e parafuse os volantes (28).
2. Esvazie os tanques (4 e 5, Fig. G) e o recipiente de detritos (29, Fig. J), de acordo com as indicações do parágrafo anterior.
3. Depois de usar a máquina, faça a manutenção da mesma (veja o capítulo Manutenção).
4. Guarde a máquina em local seco e limpo, com a escova e rodo removidos ou levantados.

DESATIVAÇÃO PROLONGADA DA MÁQUINA

No caso de não-utilização da máquina por um período superior a 30 dias, proceda da seguinte maneira:

1. Execute as operações descritas no parágrafo Após o Uso da Máquina.
2. Desconecte o conector da bateria (25, Fig. C).
3. Desconecte o terminal positivo (+) do pólo (+) da bateria.

PERÍODO INICIAL DE USO

Após o período inicial de uso (as primeiras oito horas de uso), é preciso verificar se os elementos de fixação e conexão estão apertados corretamente; fazer a inspeção visual das peças e procurar por eventuais vazamentos.

MANUTENÇÃO

A operação correta e segura da máquina é garantida por sua constante e meticulosa manutenção.

A tabela abaixo resume o programa de manutenção necessário. Os intervalos indicados podem ser alterados, adequando-se às condições de trabalho. Tais intervalos devem ser definidos pelo encarregado da manutenção.



ATENÇÃO!

As operações devem ser conduzidas com a máquina desligada e com a bateria desconectada.

Antes de realizar qualquer operação de manutenção, leia cuidadosamente as instruções fornecidas no capítulo Segurança.

Todas as operações de manutenção programadas ou extraordinárias devem ser efetuadas por pessoal qualificado ou pelo Serviço de Assistência Técnica autorizado.

Este manual descreve apenas os procedimentos de manutenção mais simples e recorrentes.



NOTA

Para os demais procedimentos de manutenção contidos na tabela de manutenção programada, consulte o Manual de assistência específico disponível em qualquer Serviço de Assistência Técnica autorizado.

TABELA DE MANUTENÇÃO PROGRAMADA

Operação	Diária, após usar a máquina	Semanal	Semestral	Anual
Limpeza do rodo				
Inspeção (e substituição) das borrachas do rodo				
Limpeza das escovas/escovas cilíndricas				
Limpeza do tanque e grade de aspiração com bóia				
Limpeza do filtro de detergente				
Carregamento das baterias				
Inspeção do nível de fluido das baterias de chumbo (WET)				
Inspeção de torque de porcas e parafusos			(1)	
Inspeção ou substituição das escovas (ou carvão) do motor elétrico de escovas				(2)
Inspeção ou substituição das escovas (ou carvão) do motor elétrico de aspiração				(2)
Inspeção ou substituição das escovas (ou carvão) do motor elétrico de tração (*)				(2)
Lubrificação do mancal do eixo de tração (*)				
Verificação e ajuste da correia de transmissão do motor das escovas cilíndricas (**)			(2)	

(1): E após as primeiras 8 horas de trabalho

(2): Manutenção a ser executada no Serviço de Assistência Técnica Advance

(*): Somente versões 20DD-20DC

(**): Somente para o compartimento das escovas cilíndricas

LIMPEZA DO RODO



NOTA

Para secar bem, o rodo deve estar limpo, com as borrachas em bom estado.



ADVERTÊNCIA!

Use luvas de proteção durante a limpeza do rodo, pois pode haver objetos cortantes.

1. Posicione a máquina em um piso plano.
2. Verifique se os interruptores (5 e 6, Fig. B) estão na posição "0".

3. Abaixar o rodo (10) usando a alavanca (19, Fig. C).
4. Desconecte a mangueira de aspiração (26, Fig. C) do rodo.
5. Solte os botões (11, Fig. C) e remova o rodo (10).
6. Lave e limpe o rodo, principalmente os compartimentos (1, Fig. D) e o orifício (2), removendo toda a sujeira e fragmentos. Inspeção a borracha dianteira (3) e traseira (4), veja se estão em bom estado, sem cortes ou lacerações; substitua-as se necessário (veja o procedimento descrito no parágrafo seguinte).
7. Instale na ordem inversa da remoção.

INSPEÇÃO/SUBSTITUIÇÃO DAS BORRACHAS DO RODO

1. Limpe o rodo conforme descrito no parágrafo anterior.
2. Verifique se as extremidades (5, Fig. D) das borrachas dianteira e traseira (12) estão alinhadas em toda sua extensão; se necessário, regule-as de acordo as instruções abaixo:
 - Retire o retentor (6) e solte as porcas-borboleta (7) para regular a borracha traseira (4); em seguida, aperte as porcas-borboleta e encaixe o retentor;
 - Solte as porcas (8) para regular a borracha dianteira (3); depois, aperte-as de novo.
3. Verifique se as borrachas dianteira e traseira (3 e 4) estão em boas condições, sem cortes ou lacerações; substitua-as se necessário, seguindo as instruções abaixo. Verifique se o canto dianteiro (9) da borracha traseira não está desgastado; vire a borracha, substituindo o canto desgastado por outro em boas condições. Se os outros cantos também estiverem desgastados, substitua a borracha de acordo com as instruções a seguir:
 - Para substituir (ou virar) a borracha traseira (4), solte o retentor (6), solte as porcas-borboleta (7) e a fita de retenção (10). Instale na ordem inversa da remoção.
 - Para substituir a borracha dianteira (3), remova as porcas (8) e a fita de retenção (11). Instale na ordem inversa da remoção.
Após substituir (ou virar) as borrachas, regule a altura, conforme descrito na etapa anterior.
4. Reinstale o conjunto do rodo (10, Fig. C) na posição correta e aperte os botões (11).
5. Conecte a mangueira de aspiração (26, Fig. C) ao rodo (10).
6. Se necessário, ajuste o botão de regulagem (12, Fig. C) do rodo.

LIMPEZA DAS ESCOVAS/ESCOVAS CILÍNDRICAS



ADVERTÊNCIA!

Use luvas de proteção durante a limpeza da escova, pois pode haver objetos cortantes.

1. Remova a escova, conforme descrito no capítulo Uso.
2. Use água e detergente para limpar e lavar a escova.
3. Verifique se as cerdas da escova estão em bom estado e sem desgaste excessivo; substitua-as se necessário.
4. No compartimento das escovas cilíndricas, remova o recipiente de detritos (29, fig. J) puxando-o lateralmente com o pegador (30).
Esvazie e lave o recipiente de detritos, em seguida reinstale-o e encaixe os retendores internos.

LIMPEZA DO TANQUE E DA GRADE DE ASPIRAÇÃO COM BÓIA

1. Leve a máquina para a área de descarte indicada.
2. Verifique se os interruptores (5 e 6, Fig. B) estão na posição "0".
3. Levante a tampa (1, Fig. G).
4. Limpe e lave a tampa (1, Fig. G), os tanques (4 e 5) e a tela (7) do fechamento automático de aspiração com água limpa.
Remova a água dos tanques usando as mangueiras (17, 18, Fig. C).
5. Se necessário, solte os retentores (10, Fig. G) e abra a tela (7); remova a bóia (11), limpe e reinstale todos os componentes.
6. Verifique se a junta de vedação da tampa do tanque (2, Fig. G) está em boas condições.



NOTA

A junta de vedação (2) cria vácuo no tanque de aspiração da água de recuperação.

Se necessário, substitua a junta de vedação (2, Fig. G) após removê-la de seu compartimento (9). Para montar a nova junta de vedação, instale a junção (12) na área central posterior, conforme indicado na figura.

7. Inspeccione se a superfície (2, Fig. G) de apoio da junta de vedação (13) está em bom estado e adequada para a junta de vedação.
8. Verifique se o orifício de compensação (3, Fig. G) não está obstruído, caso contrário limpe-o.



NOTA

O orifício (3, Fig. G), que permite compensar o ar nos espaços livres da tampa, também cria vácuo no tanque.

9. Volte a fechar a tampa (1, Fig. G).

LIMPEZA DO FILTRO DE DETERGENTE

1. Gire e feche a torneira de detergente (5, Fig. F). Se a torneira não estiver colocada na máquina, é preciso esvaziar o tanque (5, Fig. G), conforme descrição dada no parágrafo específico.
2. Posicione a máquina em um piso plano.
3. Verifique se os interruptores (5 e 6, Fig. B) estão na posição "0".
4. No lado inferior direito da máquina, retire a tampa transparente (1, Fig. F) e a tela metálica (2); limpe e reinstale-as no suporte (3).



NOTA

A tela metálica (2) deve ser corretamente posicionada no compartimento (4) do suporte (3).

CARGA DE BATERIAS



NOTA

As baterias devem ser carregadas quando as luzes de advertência amarela e vermelha (3 ou 4, Fig.B) se acenderem, ou ao final de cada operação de limpeza.

Mantenha as baterias carregadas e prolongue sua duração.



ADVERTÊNCIA!

Baterias descarregadas duram menos, portanto, carregue-as assim que possível. Verifique a carga da bateria ao menos uma vez por semana.



ATENÇÃO!

O carregamento das baterias produz hidrogênio, um gás altamente explosivo. Carregue as baterias somente em áreas bem ventiladas e longe de chamas expostas. Não fume durante o carregamento das baterias.

Mantenha os tanques abertos durante o carregamento das baterias.



ATENÇÃO!

Durante o carregamento das baterias, fique atento a possíveis vazamentos de fluido de bateria. O material do fluido de bateria é corrosivo. Em caso de contato do fluido com a pele ou olhos, lave abundantemente com água e consulte um médico.

1. Se estiver presente, remova a água dos tanques (4 e 5, Fig. G) usando as mangueiras (17 e 18, Fig. C).
2. Posicione a máquina em um piso plano.
3. Remova a chave (24, Fig. C) de seu compartimento e remova o parafuso de fixação do conjunto de tanques (1, Fig. J).



ATENÇÃO!

Durante o carregamento das baterias, fique atento a possíveis vazamentos de fluido de bateria. O material do fluido de bateria é corrosivo. Em caso de contato do fluido com a pele ou olhos, lave abundantemente com água e consulte um médico.

4. Segure a barra de direção (2, Fig. C) e levante com cuidado o conjunto de tanques (2, Fig. J).
5. Somente para baterias de chumbo:
 - Verifique o nível de eletrólito no interior das baterias; se necessário, complete o nível através das tampas (5, Fig. J).
 - Deixe as tampas (5) abertas para a próxima recarga;
 - Limpe (se necessário) a superfície superior das baterias.
6. Carregue a bateria da seguinte maneira:

Carregamento das baterias com carregador de baterias instalado

1. Somente para baterias de chumbo:
 - Verifique o nível de eletrólito no interior das baterias; se necessário, complete o nível através das tampas (5, Fig. J).
 - Quando atingir o nível correto, feche as tampas (5) e limpe (se necessário) a superfície de cima das baterias.
2. Ligue o plugue do carregador de baterias (22, Fig. C) na tomada (a voltagem e a frequência de rede devem ser iguais aos valores correspondentes do carregador de baterias, indicados na placa da máquina).



NOTA

Quando o carregador de baterias estiver conectado à rede elétrica, todas as funções da máquina serão automaticamente interrompidas.

Quando a luz de advertência vermelha (4, Fig. B) no painel de controles se acende, ela indica que o carregador está carregando as baterias.

3. Quando a luz de advertência vermelha (4, Fig. B) se apaga, ela indica a conclusão do carregamento das baterias.
4. Depois de completar o carregamento, desligue o plugue do carregador de baterias (22, Fig. C) da tomada e enrole-o em seu suporte na máquina.
5. Segure a barra de direção (2, Fig. J) e volte a baixar com cautela o conjunto de tanques (2, Fig. C).
6. Remova a chave (24, Fig. C) de seu compartimento e remova o parafuso de fixação do conjunto de tanques (1, Fig. J).
7. A máquina está pronta para ser utilizada.



NOTA

Para mais informações sobre o funcionamento do carregador de bateria, consulte o Manual referente.

INSPEÇÃO/REPOSIÇÃO DE FUSÍVEIS

1. Desconecte o conector da bateria (25, Fig. C).
2. Descarregue a água dos tanques (4 e 5, Fig. G) usando as mangueiras (17 e 18, Fig. C).
3. Remova a chave (24, Fig. C) de seu compartimento e remova o parafuso de fixação do conjunto de tanques (1, Fig. J).
4. Segure a barra de direção (2, Fig. C) e levante com cuidado o conjunto de tanques (2, Fig. J).
5. somente versões 20DD: solte os parafusos (10, Fig. E) e remova a tampa (11).
6. somente versões 20DD-20DC: verifique/troque os fusíveis:
 - Fusível de tração (30A): (8, Fig. E);
 - Fusível de proteção da placa eletrônica (2A): (9, Fig. E).
7. somente versões 20DD: solte as porcas-borboleta (12, Fig. E) e mova para um lado do suporte com a placa eletrônica de tração (13, Fig. E).
8. Solte os parafusos (4, Fig. E) e remova cuidadosamente a tampa da caixa de componentes elétricos (5), deslizando-a para cima.
9. Inspeccione/troque os fusíveis:
 - Fusível de segurança da bateria (50 A): (1, Fig. E)
 - Fusível de aspiração (40 A): (2, Fig. E)
 - Fusível da válvula solenóide (5 A): (3, Fig. E)
10. Instale na ordem inversa da remoção.

REMOÇÃO/INSTALAÇÃO DO COMPARTIMENTO DA ESCOVA/PORTA-FELTRO OU DO COMPARTIMENTO DAS ESCOVAS CILÍNDRICAS



NOTA

No modelo Micromax™ 20DD a partir do número serial 1812290 ou no modelo Micromax™ 20DC a partir do número serial 1812178, é possível instalar a escova/porta-feltro (9, Fig. C) ou o compartimento das escovas cilíndricas (32), de acordo com as seguintes instruções.

Remoção

1. Se estiver presente, remova a água dos tanques (4 e 5, Fig. G) usando as mangueiras (17 e 18, Fig. C).
2. Posicione a máquina em um piso plano.
3. Coloque a chave de ignição (9, Fig. B) em "0".
4. Desconecte o conector da bateria (25, Fig. C).
5. Remova a chave (24, Fig. C) de seu compartimento e remova o parafuso de fixação do conjunto de tanques (1, Fig. J).
6. Segure a barra de direção (2, Fig. C) e cuidadosamente levante o conjunto de tanques (2, Fig. J).
7. Desconecte a mangueira de fornecimento de detergente das escovas (19, Fig. J) do compartimento.
8. Desconecte o conector (20, Fig. J) do motor.
9. Remova os dois contrapinos (21, Fig. J) com os pinos e lavadores relacionados.
10. Remova o contrapino (22, Fig. J) e o calço relacionado.
11. Remova o compartimento da escova/porta-feltro (15, Fig. J) ou o compartimento das escovas cilíndricas (25).
12. Para instalar um compartimento ou o outro, retire o aerofólio (31, Fig. J) ou o aerofólio (32) liberando os retentores internos relacionados.

Instalação

13. Instale na ordem inversa da remoção.
 - Com o compartimento da escova/porta-feltro (15, Fig. J) instalado, posicione o bloco de fixação (23, Fig. J) conforme mostrado na Fig. H (1).
 - Com o compartimento das escovas cilíndricas (25, Fig. J) instalado, posicione o bloco de fixação (23, Fig. J) conforme mostrado na Fig. I (1).
 - Para alterar a posição do bloco de fixação, remova o contrapino (2, Fig. H) com o pino relacionado (3) e o lavador.



ATENÇÃO!

O posicionamento incorreto do bloco de fixação provoca a altura incorreta da escova/porta-feltro ou do compartimento das escovas cilíndricas.

FUNÇÕES DE SEGURANÇA

Em caso de emergência, o conector vermelho (25, Fig. C) pode ser utilizado para interromper todas as funções da máquina. Se for necessário, remova o conector com o pegador vermelho.

LOCALIZAÇÃO DE DEFEITOS

DEFEITO	POSSÍVEL CAUSA
Os motores não funcionam, nenhuma luz se acende	Conector da bateria desconectado (25, Fig. C)
	Baterias completamente descarregadas
O motor de aspiração não liga	Fusível queimado
Aspiração insuficiente de água suja	Tanque de recuperação (4, Fig. G) cheio
	Grade de aspiração (7, Fig. G) entupida ou bóia fechada presa
	Mangueira (26, Fig. C) desconectada do rodo
	Rodo sujo (10, Fig. C) ou borrachas desgastadas/danificadas
Fluxo insuficiente de detergente para a escova	Tampa do tanque fechada incorretamente ou junta de vedação (2, Fig. G) estragada ou orifício de compensação (3, Fig. G) entupido.
	Filtro de detergente sujo (2, Fig. F)
Riscos causados pelo rodo	Tanque (5, Fig. G) sujo (orifício de saída entupido)
	Fragments presentes nas borrachas do rodo
	Borrachas do rodo desgastadas, lascadas ou com lacerações
A tração não funciona (*)	O rodo não está regulado pelo botão (12, Fig. C)
	Conector da bateria desconectado (25, Fig. C)
	Chave (9, Fig. B) na posição "0"
	Regulador de velocidade (11, Fig. B) girado totalmente no sentido anti-horário
A tração não funciona (*)	Fusível de tração (8, Fig. E) queimado
	Mal-funcionamento da placa eletrônica devido à sobrecarga ou superaquecimento; aguarde pelo menos 5 minutos antes de reiniciar o sistema através da chave (9, Fig. B)

(*): Somente versões 20DD-20DC



NOTA

Em caso de mal-funcionamento do carregador de baterias, entre em contato com o Serviço de Assistência Técnica Advance.

Para mais informações, consulte o Manual de Assistência Técnica em qualquer Serviço de Assistência Técnica Advance.

DESCARTE

O sucateamento da máquina deve ser feito por serviço qualificado.

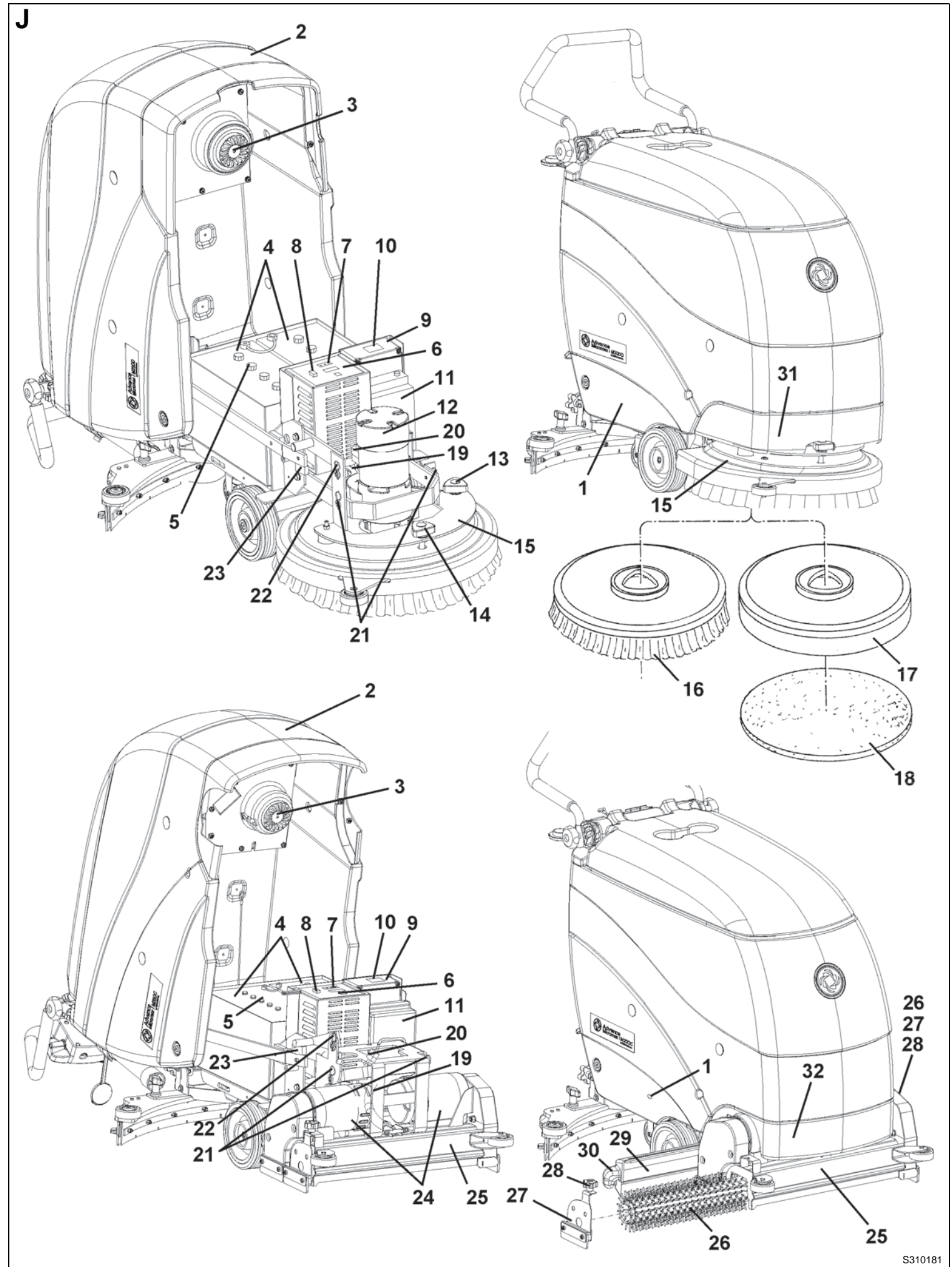
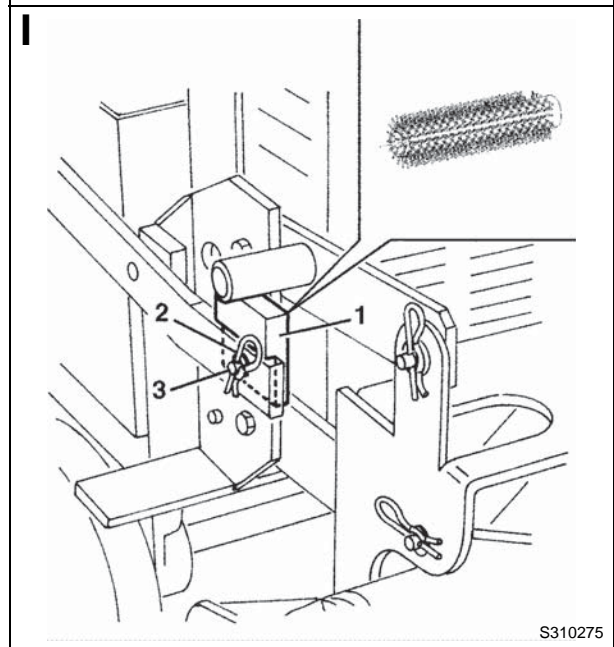
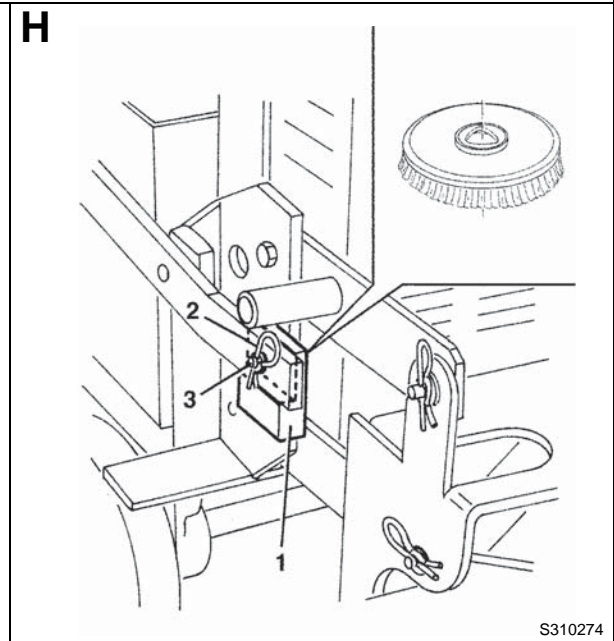
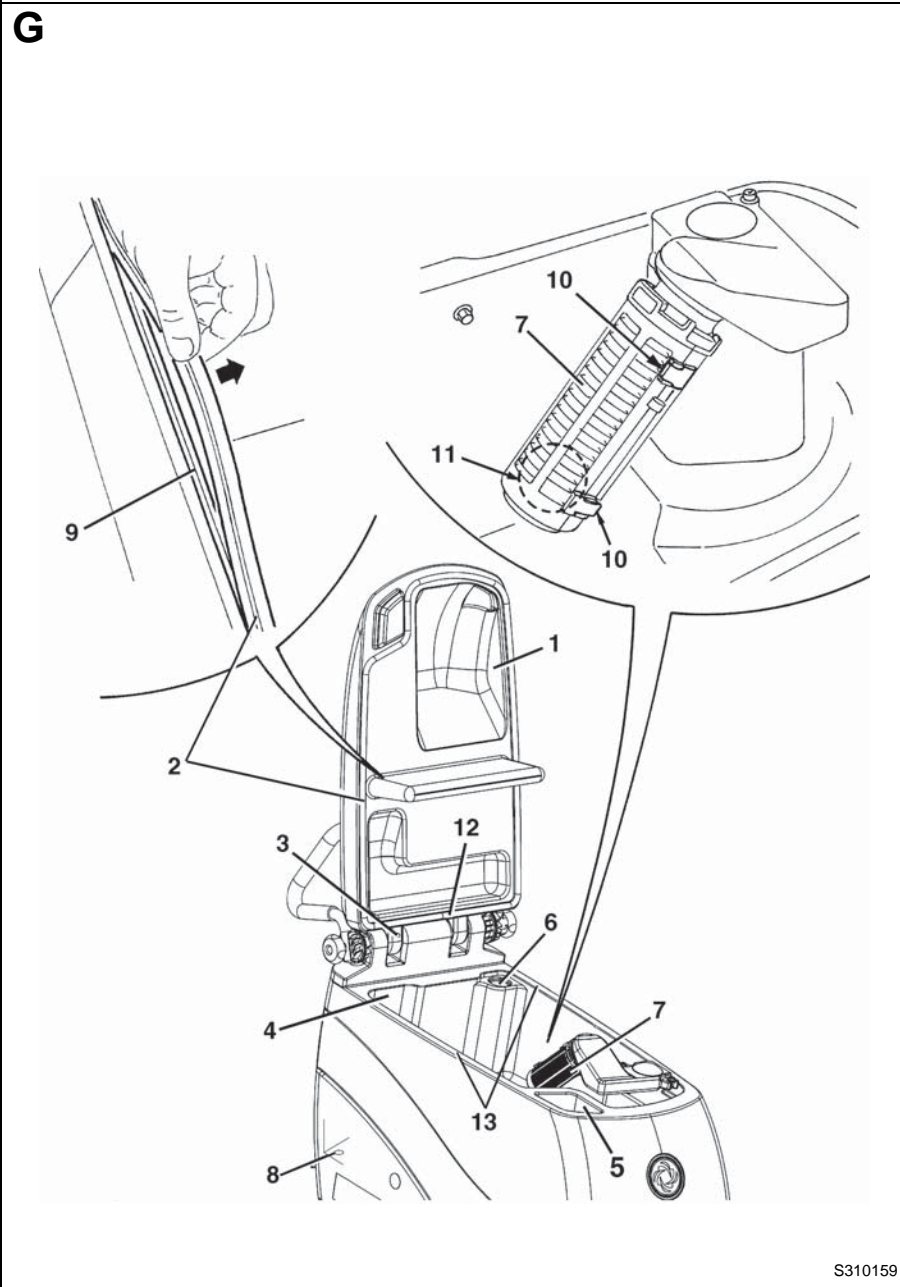
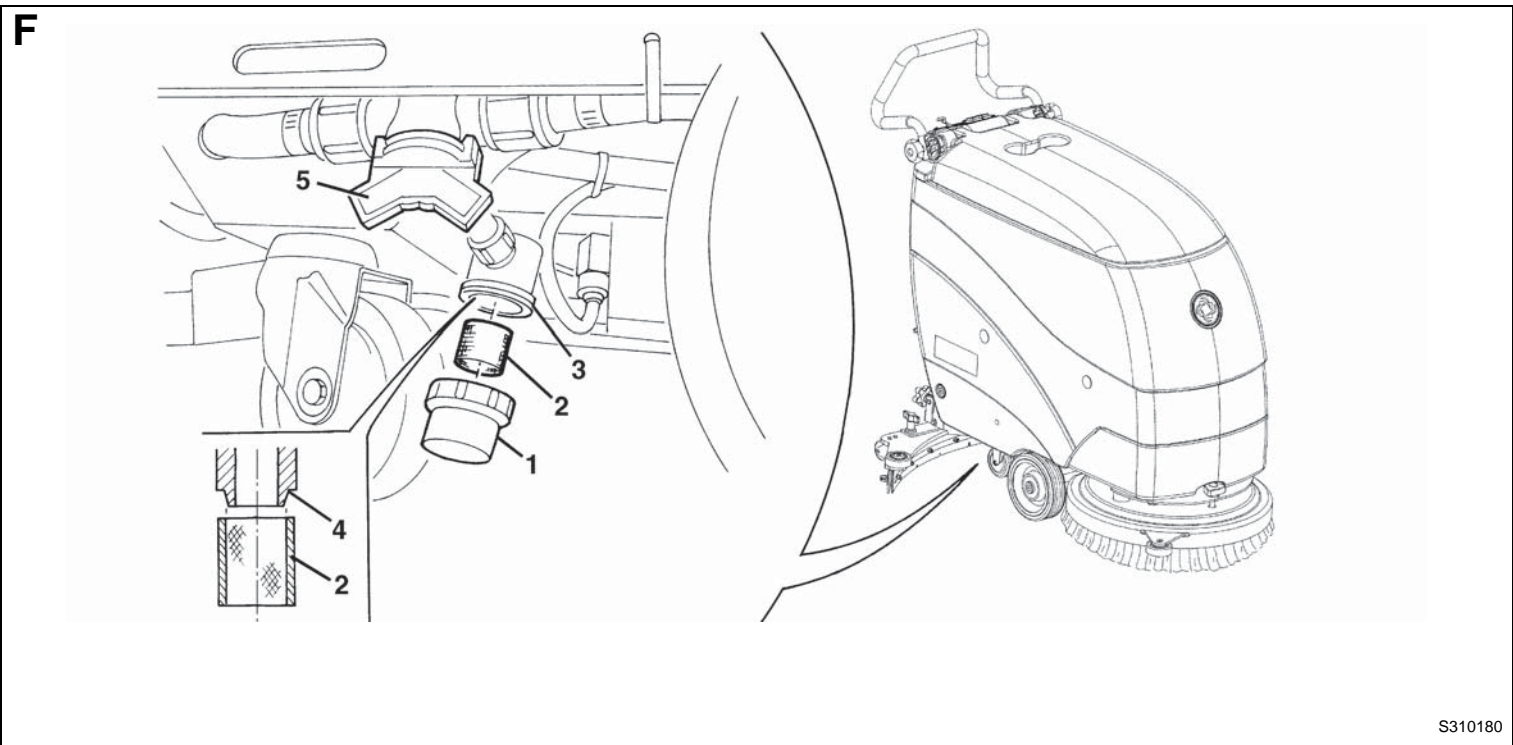
Antes de descartar a máquina, remova os seguintes componentes:

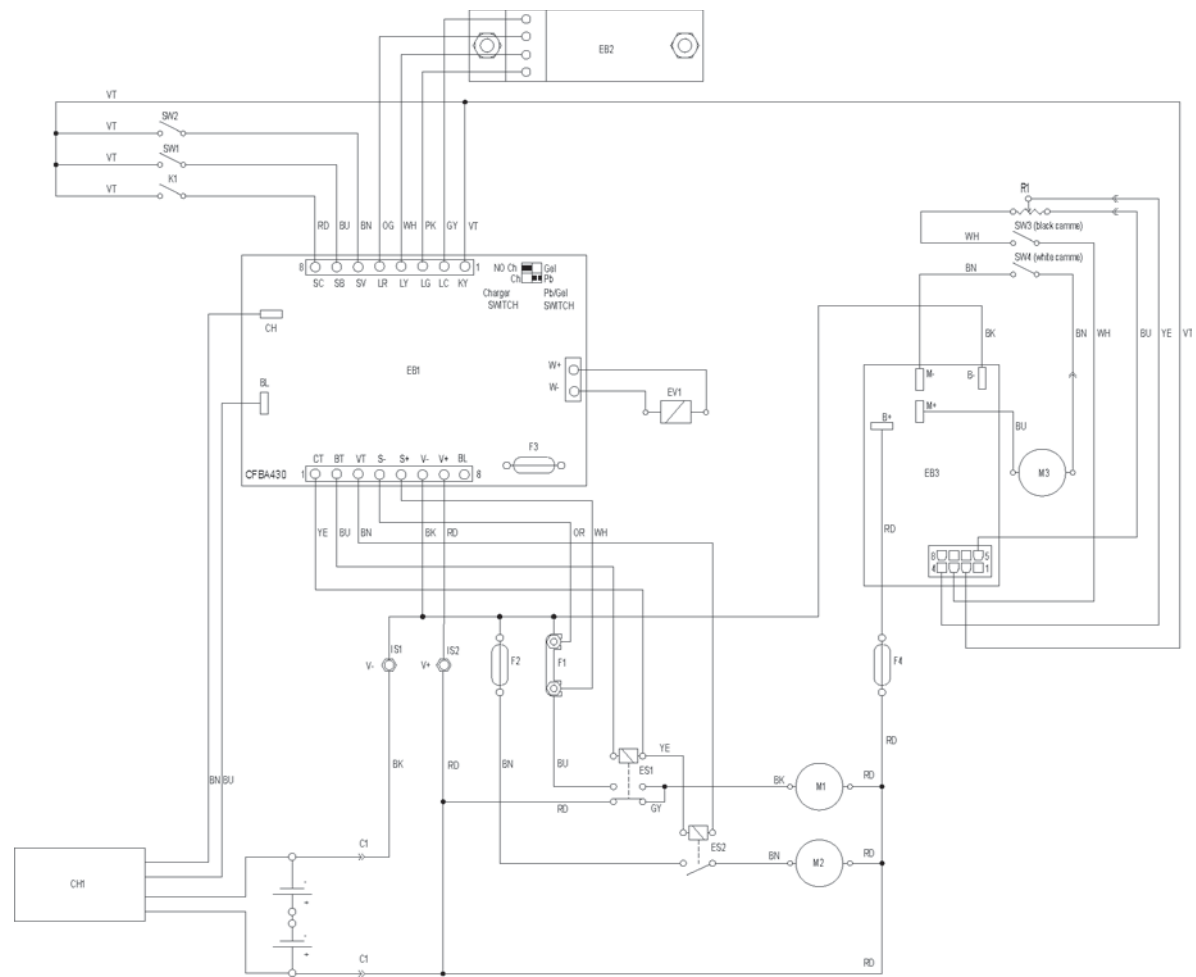
- Baterias
- Escova
- Filtro
- Motores elétricos
- Placas eletrônicas



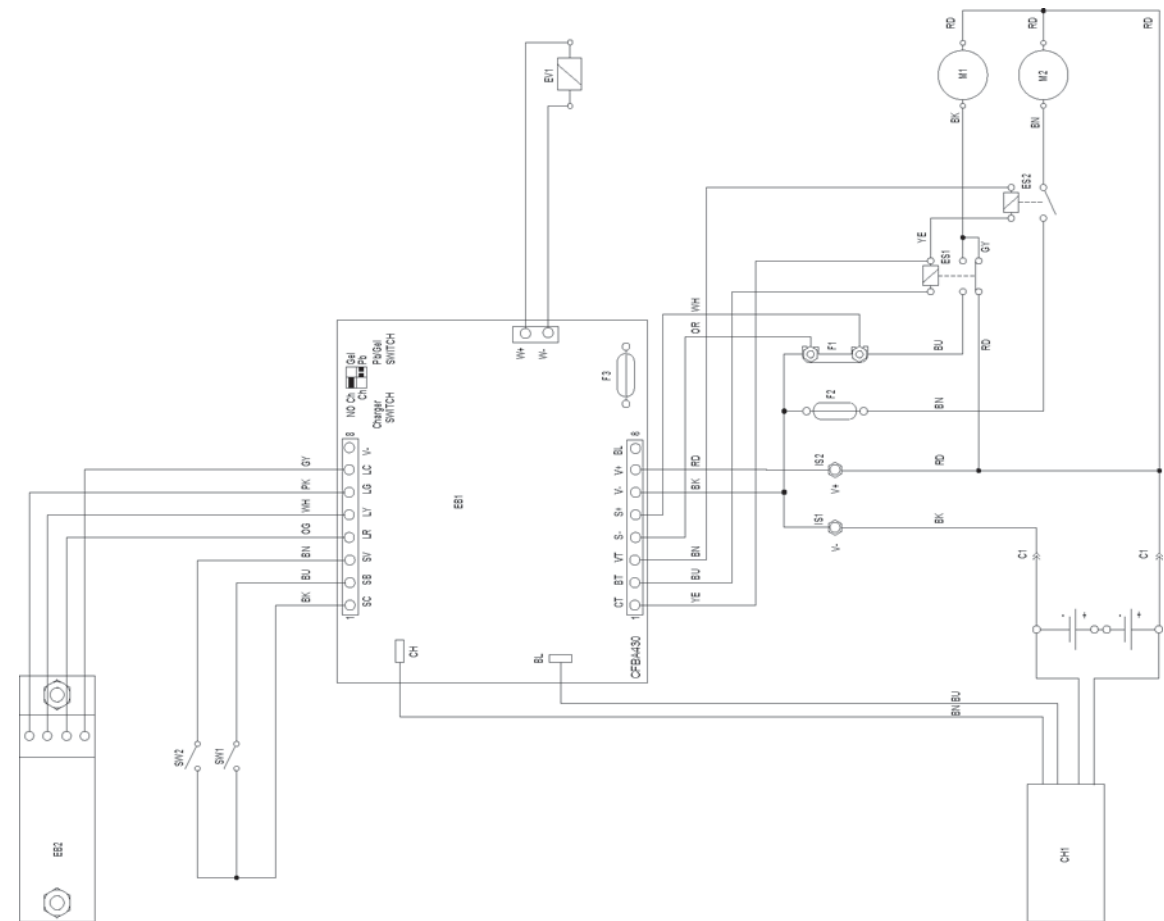
ADVERTÊNCIA!

Os componentes removidos devem ser descartados conforme a legislação vigente.



K

S310182

L

S310183



Nilfisk-Advance, Inc.
14600 21st Avenue North
Plymouth, MN, 55447-3408
www.nilfisk-advance.com
Phone: 800-989-2235
Fax: 800-989-6566

©2005 Nilfisk-Advance, Inc.,
Plymouth, MN 55447-3408
Printed in Italy