



Electronic Service Manuals

This electronic document is provided as a service to our customers. We do not create the contents of the information contained in this document. Should you have detailed questions pertaining to the information contained in this document, you may contact Michco, or the manufacturer which provided the original information in this electronic deliverable. Michco's only part in this electronic deliverable was the electronic assembly process.

You may contact Michco through the following methods:
Phone (517) 484-9312 or (800) 331-3339 MI, OH, IN only
2011 N. High St. -- Lansing, Michigan -- 48906
Fax: (517) 484-9836
Email: CustServ@Michco.com
Web site: www.Michco.Com
Parts Web site: www.FloorMachineParts.Com

Order Parts on Line at:
www.FloorMachineParts.Com

Directly to Parts & Service:
By Email: **Shop@Michco.com**
By Fax: (517) 702-2041
By Voice: Use numbers above.

Serving the Cleaning Industry Since 1922

Notice: All copyrighted material remains property of original owners, all trademarks are property of respective owners. Manuals are subject to Manufacturer's reproduction limitations. Originals or reproductions were provided by manufacturers through a request. We make no warranty as to the correctness of information provided in this document and you assume all risk.

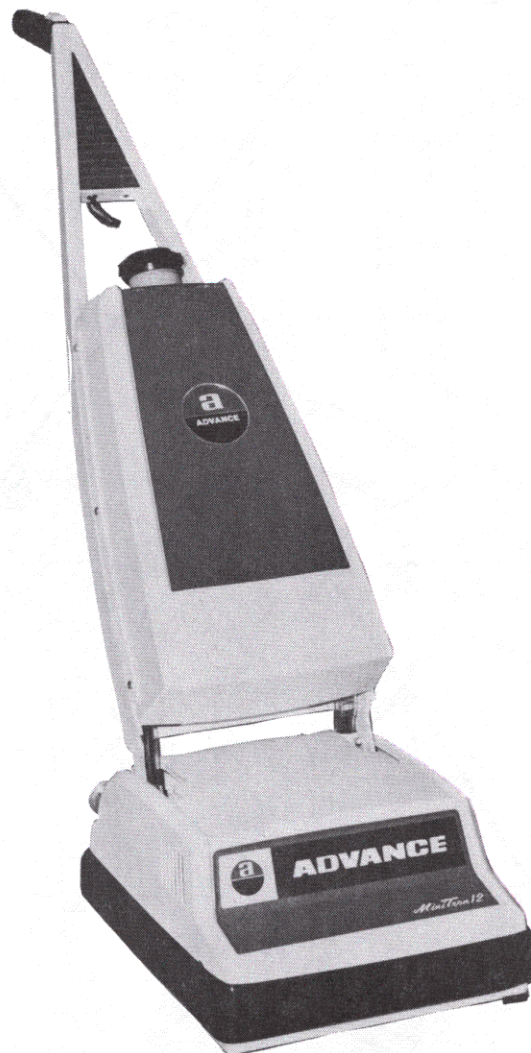
MINITRON 12

**MODEL FC 12
FC 12-5**

**FORM NO. 042 079
(WAS 2A-066)**

REV. MAY 1982

PARTS LIST



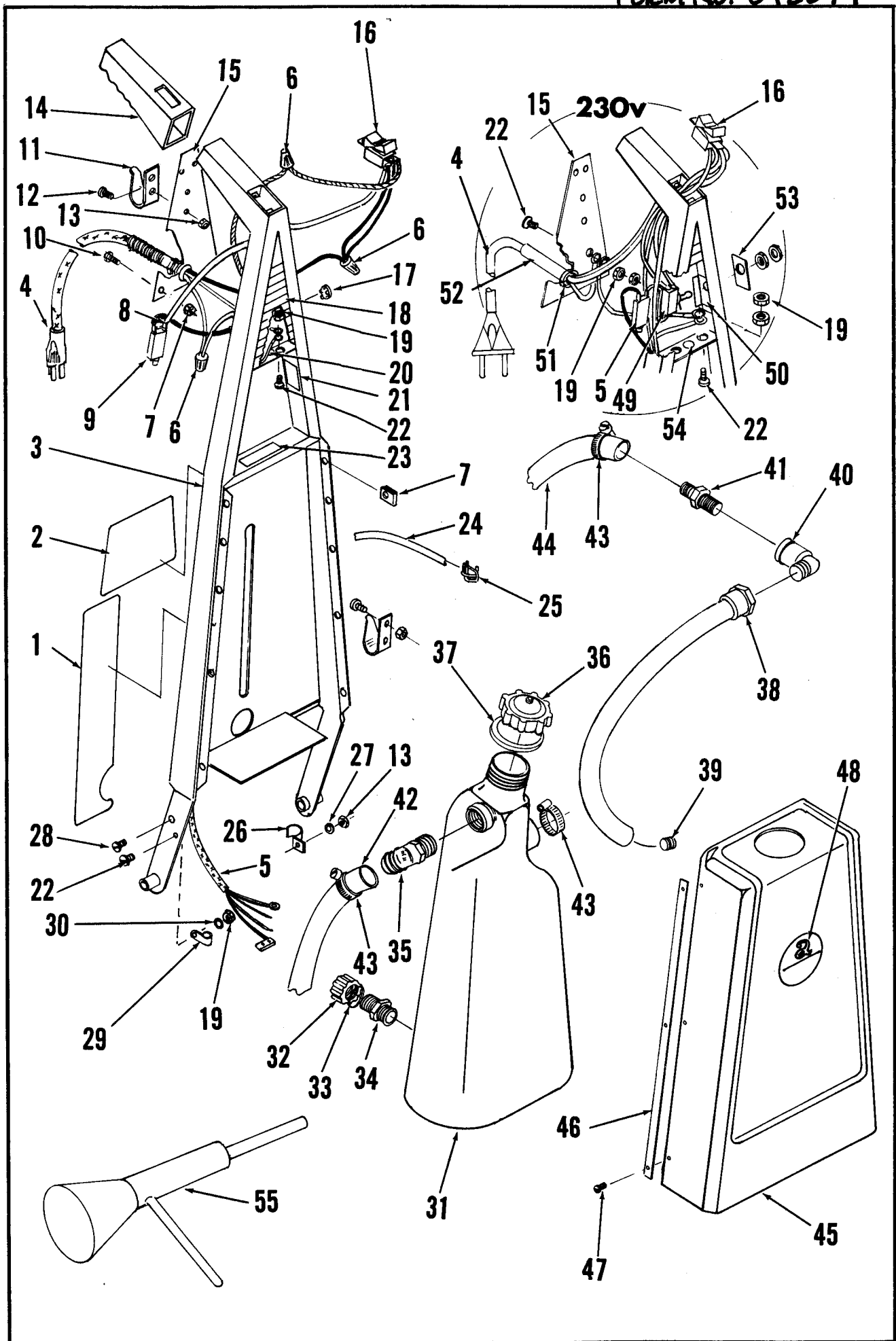
**ADVANCE
MACHINE COMPANY**

INTERNATIONAL HEADQUARTERS, Spring Park, Minnesota 55384 USA
EUROPE, 4 Rue Jean Engling, L - 1466 Luxembourg
CANADA, 1295 Crestlawn Drive, Mississauga, Ontario L4W 1A9



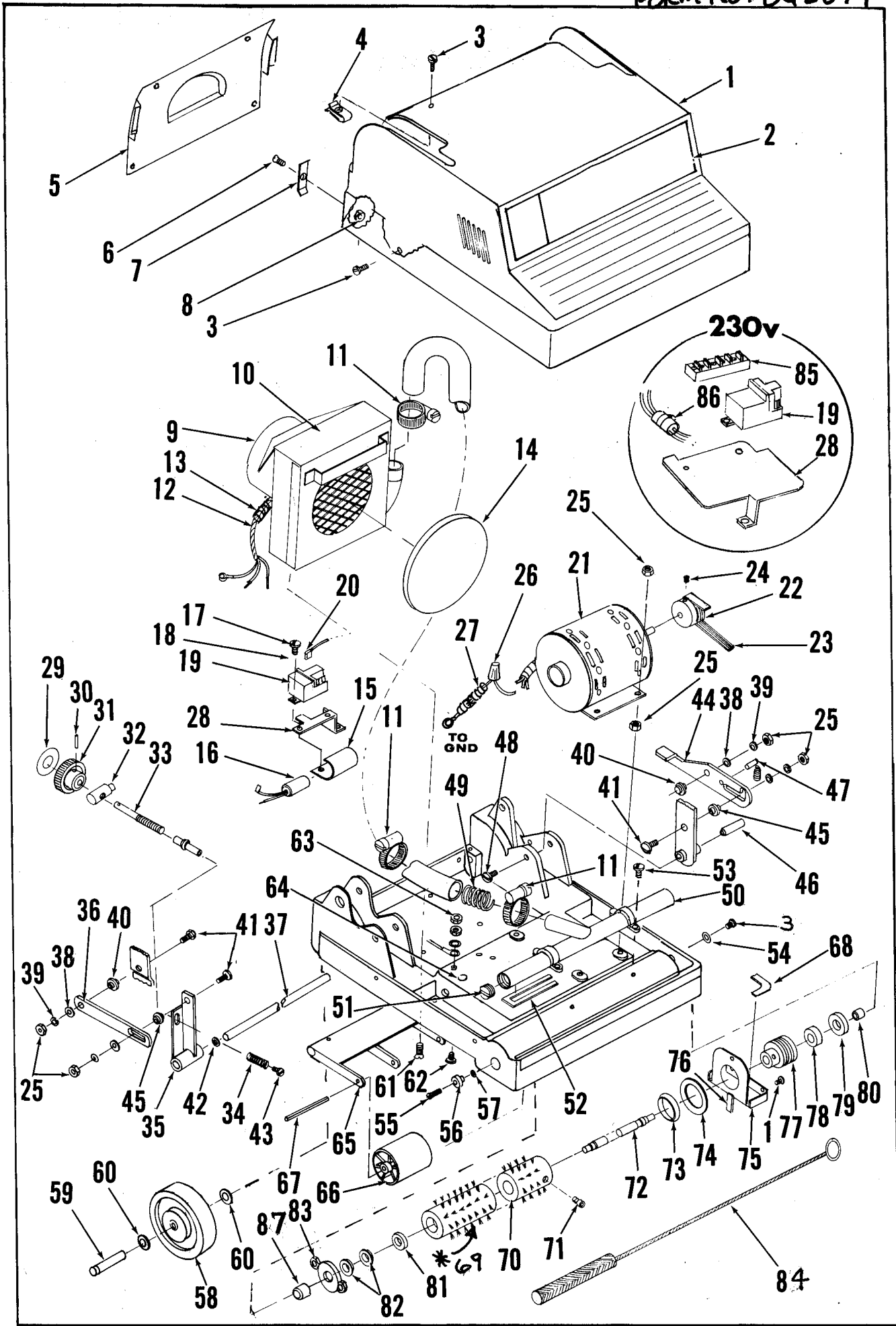
Index for Form Number 042079

Description	Location	page
Base	E9	3
Blower	E11	5
Handle & Foam Tank	E7	1
Wiring Diagrams	E12	6



HANDLE ASSEMBLY

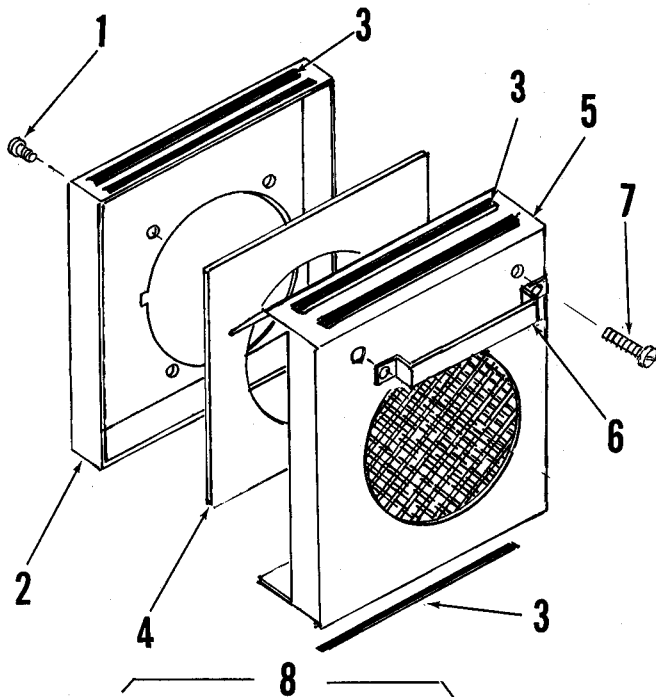
ITEM	PART NO	QTY	DESCRIPTION
1	015 060	1	DECAL, GAUGE
2	015 044	1	DECAL, INSTRUCTION
3	228 210	1	HANDLE WELDMENT
4	228 094	1	CORD SET , 115V
	300 227	1	CORD SET , 230V
5	228 090	1	CORD ASSEMBLY, 115V
	228 257	1	CORD ASSEMBLY, 230V
6	321 737	3	WIRE NUT
7	255 874	10	SPEED NUT
8	171 490	1	RECEPTACLE TAB
9	228 414	1	CIRCUIT BREAKER, 115V
	290 425	1	CIRCUIT BREAKER, 230V 1.5A
10		4	SCREW,PAN HD.#8-32 x 3/8
11	325 168	2	HOOK,CORD
12		4	SCREW,PAN HD #10-24 x 1/4
13			NUT,HEX WHIZ #10-24
14	228 231	1	GRIP
15	228 250	1	COVER
16	228 288	1	SWITCH, ROCKER
17	153 648	1	PLUG BUTTON
18	015 042	1	DECAL
19		2	NUT,HEX #8-32
20		2	WASHER,SHAKEPROOF #8
21	014 362	1	DECAL, RESET
22		2	SCREW,PAN HD.#8-32 x 5/8
23	015 121	1	DECAL, INSTRUCTION
24	228 205	2	STRAP
25	245 013	2	BUCKLE
26	473 522	2	BRACKET
27		2	LOCKWASHER,#10
28		2	SCREW,FLAT HD.#10-24 x 3/8
29	300 152	1	CLAMP, CORD
30		1	LOCKWASHER,#8
31	228 282	1	TANK ASS'Y,Incls;Items 31 thru' 41
31	228 254	1	TANK
32	255 076	1	CAP W/GASKET
33	740 154	1	GASKET
34	244 980	1	ADAPTOR
35	244 985	1	ELBOW
36	244 863	1	CAP W/GASKET
37	244 979	1	GASKET
38	228 260	1	BUBBLER W/PLUG
39	245 014	1	PLUG
40	228 266	1	ELL
41	228 278	1	VALVE ASSEMBLY
42	228 346	1	TUBE,PVC .750 x 32
43	244 969	3	CLAMP, HOSE
44	228 400	1	TUBE,PVC .750 x 21.5
45	228 286	1	SHROUD COVER
46	228 285	2	PLATE
47		6	SCREW, OVAL HD. #8-32 x 1/2
48	017 019	1	DECAL
49	301 636	1	SWITCH, TOGGLE
50	584 994	1	INSULATOR, SWITCH
51	300 542	1	CLAMP, CORD
52	300 602	2	TUBE,RUBBER
53	016 112	1	DECAL, SWITCH
54	014 119	1	GROUND SYMBOL
55	220 426	1	FUNNEL



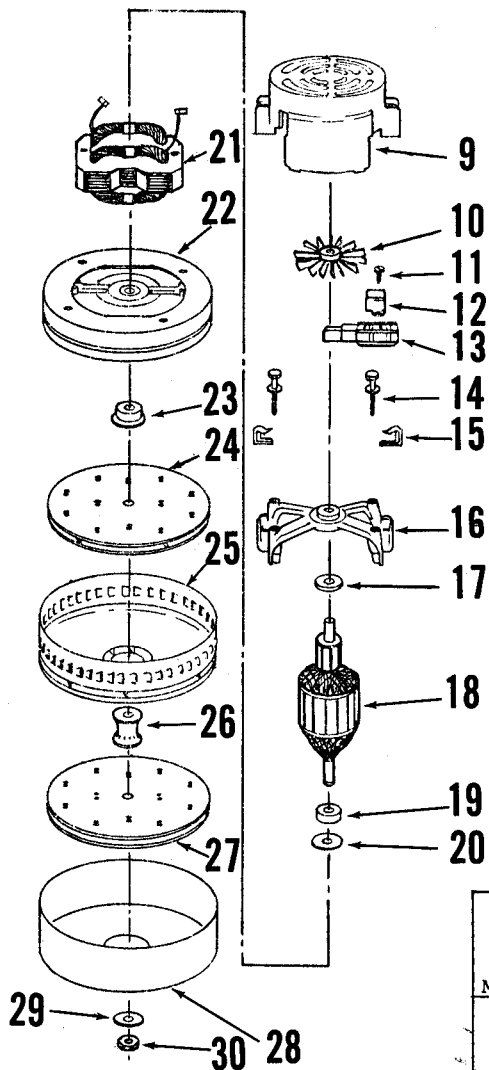
BASE ASSEMBLY

ITEM	PART NO	QTY	DESCRIPTION	ITEM	PART NO	QTY	DESCRIPTION
1	228 038	1	SHROUD ASSEMBLY	72	228 042	1	SHAFT
2	015 045	1	DECAL, ADVANCE	73	228 062	1	SEAL
3		12	SCREW,PAN HD. #10-24 x 3/8	74	228 074	1	WASHER
4	328 855	4	SPEED NUT	75	228 072	1	SHIELD W/GASKET
5	228 022	1	PLATE	76	228 076	1	GASKET
6		2	SCREW, OVAL HD. #6-32 x 1/2	77	228 055	1	PULLEY
7	244 846	2	CLIP	78	290 283	1	BEARING
8		2	NUT, HEX #6-32	79	228 066	1	SEAL
9	228 404	1	BLOWER MOTOR ASS'Y., 115V	80	228 046	1	BUSHING
	228 406	1	BLOWER MOTOR ASS'Y., 230V	81	228 051	1	BEARING
10	015 058	1	DECAL, WIRING 115V	82	228 049	2	SEAL
	015 062	1	DECAL, WIRING 230V	83	228 060	1	THREAD GUARD
11	244 969	3	CLAMP, HOSE	84	218 881	1	BRUSH, CLEAN-OUT
12	228 412	1	WIRE ASS'Y.,	85	328 062	1	TERMINAL BLOCK, 230
13	228 416	2	WIRE WRAPPING	86	209 866	1	FILTER RFI, 230V
14	300 594	1	FILTER	87	228 052	1	BUSHING
15	228 292	1	BRACKET, CAPACITOR	88	228 014	1	BASE CASTING
16	228 296	1	CAPACITOR ASS'Y.				
17		2	SCREW, PAN HD. #6-32 x 3/16 S.T.				
18		2	LOCKWASHER, #6				
19	321 610	1	RELAY, 115V				
	322 407	1	RELAY, 230V				
20	244 838	2	RECEPTACLE FLAG				
21	228 408	1	MOTOR, 115V TSB 537, G-9				
	228 424	1	MOTOR, 230V				
22	228 078	1	PULLEY				
23	228 098	1	BELT				
24		2	SET SCREW, 1/4-20 x 5/16				
25		12	NUT, HEX 1/4-20				
26	321 737	3	WIRE NUT				
27	118 176	1	WIRE WRAPPING				
28	228 316	1	BRACKET, RELAY 115V				
	228 255	1	BRACKET, RELAY 230V				
29	015 059	1	DECAL				
30		1	SPRING PIN 1/8 x 1.00				
31	217 972	1	KNOB				
32	228 126	1	NUT, PIVOT				
33	228 118	1	SCREW ASSEMBLY				
34	228 142	1	SPRING				
35	228 134	1	ARM WELDMENT				
36	228 122	1	LINK				
37	228 158	1	SHAFT				
38		4	WASHER, FLAT SAE 1/4				
39		4	LOCKWASHER 1/4				
40	228 202	2	BUSHING				
41		4	SCREW, TRUSS HD. 1/4-20 x 1.00				
42	155 373	1	WASHER, BOWED				
43		1	SCREW, TRUSS HD. 1/4-20 x 5/16				
44	228 198	1	PEDAL, LATCH				
45	228 204	3	BUSHING				
46	228 308	2	PIN				
47	328 642	2	PIN				
48		3	SCREW, TRUSS HD. 1/4-20 x 1/2				
49	245 010	2	SPRING				
50	228 314	1	MANIFOLD W/PLUG & GASKET				
51	245 014	1	PLUG				
52	228 320	1	GASKET				
53		4	SCREW, PAN HD. #8-32 x 3/8				
54		1	WASHER FLAT SAE #10				
55		1	SCREW, FLAT HD. #10-24 x 3/4				
56	228 050	1	SLEEVE				
57	257 362	1	O-RING				
58	228 102	2	WHEEL				
59	228 106	2	AXLE				
60	155 381	4	WASHER, BOWED				
61		2	SCREW, FLAT HD, 1/4-20 x 1/2				
62		1	SCREW, PAN HD. #8-32 x 5/8				
63		3	NUT, HEX #8-32				
64	321 620	1	DECAL, GROUND SYMBOL				
65	144 877	1	BRACKET				
66	217 948	2	ROLLER				
67	244 877	2	PIN				
68	228 077	1	GASKET				
*69	228 082	1	BRUSH ASS'Y., Incls 70 thru' 83				
70	228 048	1	BRUSH				
71		2	SCREW, SOCKET HD. #10-24 x 3/8				

BLOWER ASSEMBLY



ITEM	PART NO	QTY	DESCRIPTION
1		4	SCREW,PAN HD. #10-16 x 5/8
2	228 373	1	HOUSING WELDMENT
3	220 088	5	GASKET
4	228 401	1	GASKET
5	228 380	1	COVER
6	228 386	1	BRACKET,MOUNTING
7		4	SCREW,TRUSS HD. 1/4-20 x 3-1/4
8	207 802	1	MOTOR, 115V
	202 290	1	MOTOR, 230V
9	202 300	1	HOUSING
10	203 591	1	FAN, ARMATURE
11	208 175	2	SCREW
12	207 285	2	CLAMP
13	203 518	2	BRUSHES, (SET OF 2)
14	203 558	2	SCREW
15	203 584	2	CLIP, FIELD
16	202 306	1	COMM. END BRACKET
17	228 388	1	WASHER, FIBER
18	208 160	1	ARMATURE, 115V
	202 308	1	ARMATURE, 230V
19	203 516	1	SPACER
20	203 416	1	WASHER, NEOPRENE
21	203 556	1	FIELD, 115V
	208 090	1	FIELD, 230V
22	202 332	1	FAN END BRACKET
23	203 424	1	SPACER
24	208 191	2	FAN, ROTATING 115V (1 ON 230V)
25	203 394	1	FAN, STATIONARY
26	203 426	1	SPACER
27	203 328	1	FAN, ROTATING 230V
28	203 594	1	FAN SHELL, 115V
	202 326	1	FAN SHELL, 230V
29	202 432	1	WASHER
30	203 440	1	NUT



PARTS ORDERING INFORMATION

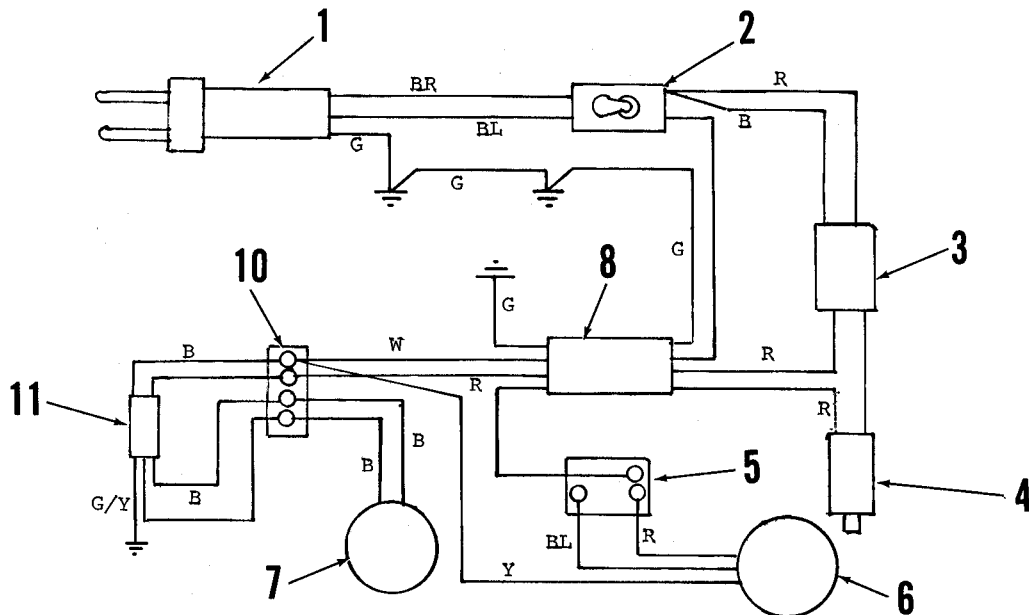
WHEN ORDERING REPAIR PARTS OR CORRESPONDING ABOUT YOUR MACHINE ALWAYS SPECIFY PART NUMBER, SERIAL NUMBER AND MODEL.

MODEL NO.

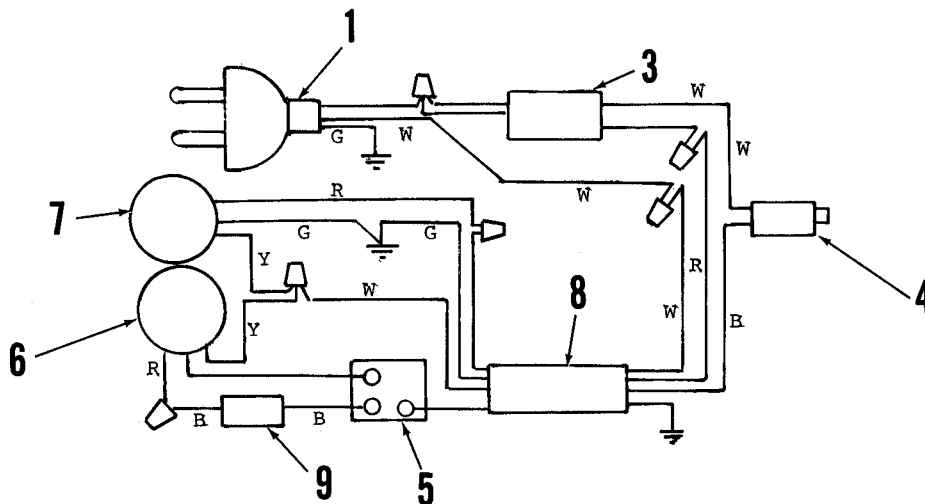
SERIAL NO.

WIRING DIAGRAM

015 062



015 058



ITEM	PART NO	QTY	DESCRIPTION
1	228 094	1	CORD SET, 115V
	300 227	1	CORD SET, 230V
2	301 636	1	SWITCH, TOGGLE 230V
3	228 288	1	SWITCH, ROCKER
4	228 414	1	CIRCUIT BREAKER, 115V
	290 425	1	CIRCUIT BREAKER, 230V
5	321 610	1	RELAY, 115V
	322 407	1	RELAY, 230V
6	228 408	1	MOTOR, 115V
	228 424	1	MOTOR, 230V
7	207 202	1	MOTOR, VAC 115V
	202 290	1	MOTOR, VAC 230V
8	228 090	1	CORD ASS'Y., 115V
	228 257	1	CORD ASS'Y., 230V
9	228 296	1	CAPACITOR ASS'Y., 115V
10	328 062	1	TERMINAL BLOCK, 230V
11	209 866	1	FILTER RFI ASS'Y., 230V (OR MAY HAVE JUMER WIRE ASS'Y.)
	209 897	1	WIRE ASS'Y., #14 x 11.75