



Electronic Service Manuals

This electronic document is provided as a service to our customers. We do not create the contents of the information contained in this document. Should you have detailed questions pertaining to the information contained in this document, you may contact Michco, or the manufacturer which provided the original information in this electronic deliverable. Michco's only part in this electronic deliverable was the electronic assembly process.

You may contact Michco through the following methods:
Phone (517) 484-9312 or (800) 331-3339 MI, OH, IN only
2011 N. High St. -- Lansing, Michigan -- 48906
Fax: (517) 484-9836
Email: CustServ@Michco.com
Web site: www.Michco.Com
Parts Web site: www.FloorMachineParts.Com

Order Parts on Line at:
www.FloorMachineParts.Com

Directly to Parts & Service:
By Email: **Shop@Michco.com**
By Fax: (517) 702-2041
By Voice: Use numbers above.

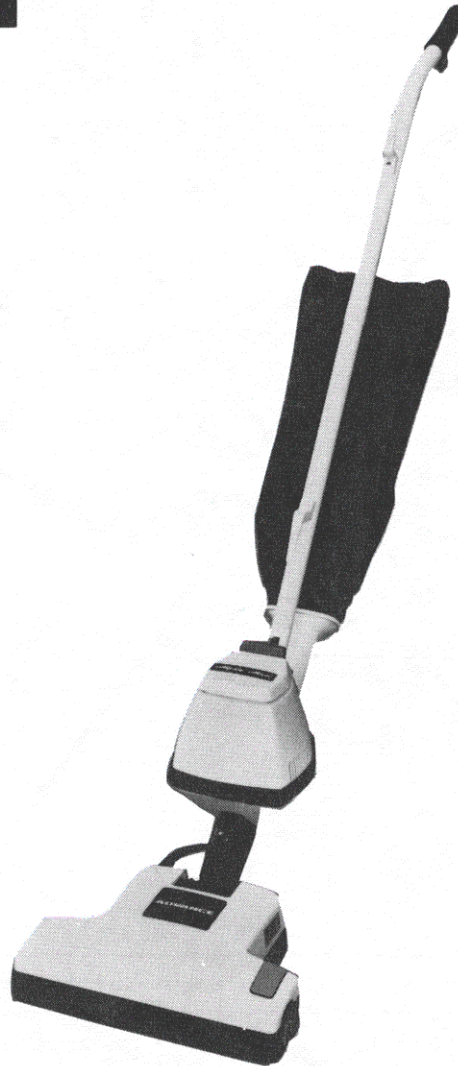
Serving the Cleaning Industry Since 1922

Notice: All copyrighted material remains property of original owners, all trademarks are property of respective owners. Manuals are subject to Manufacturer's reproduction limitations. Originals or reproductions were provided by manufacturers through a request. We make no warranty as to the correctness of information provided in this document and you assume all risk.

MIGHTY MAID

MODEL MM122C

PARTS LIST



© 1984 Advance Machine Company, Spring Park, MN 55384-0275

ADVANCE
MACHINE COMPANY

INTERNATIONAL HEADQUARTERS, Spring Park, Minnesota 55384-0275
EUROPE, 4 Rue Jean Engling, L-1466 Luxembourg
CANADA, 1295 Crestlawn Drive, Mississauga, Ontario L4W 1A9

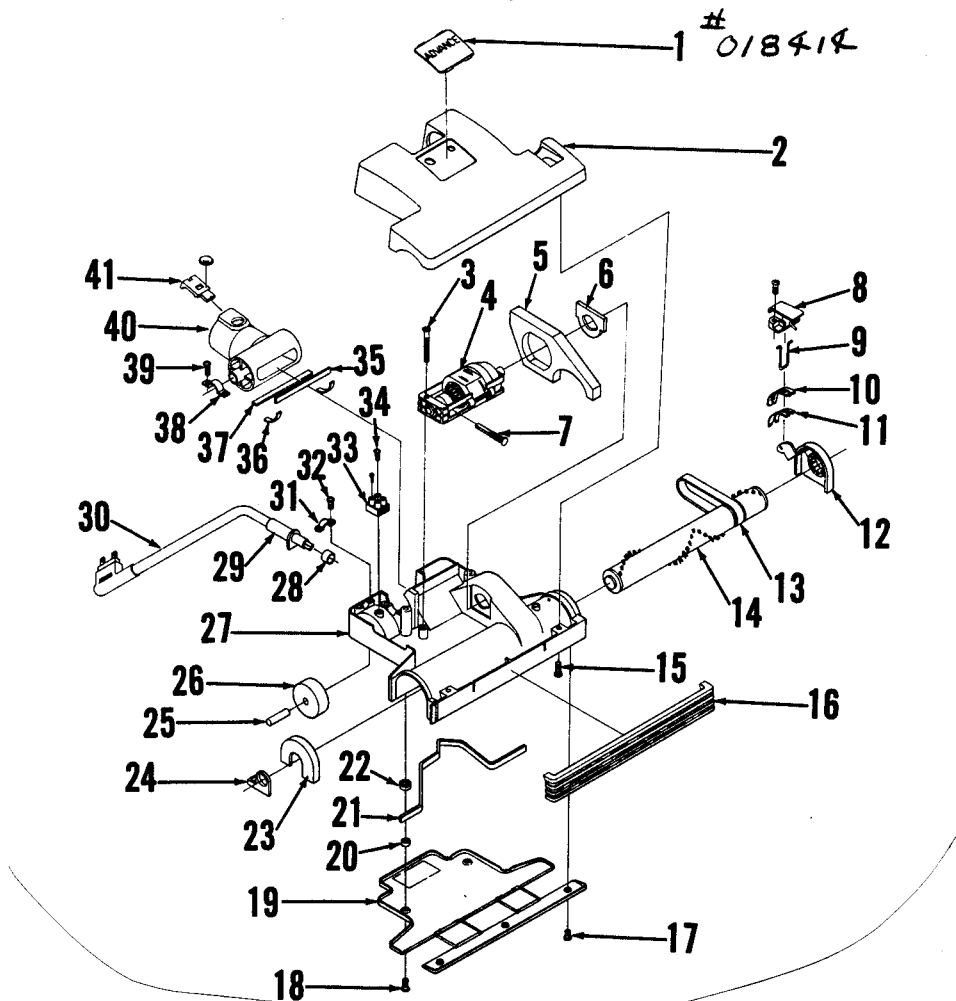


FORM NO. 042 118 11/84

Index for Form Number 042118

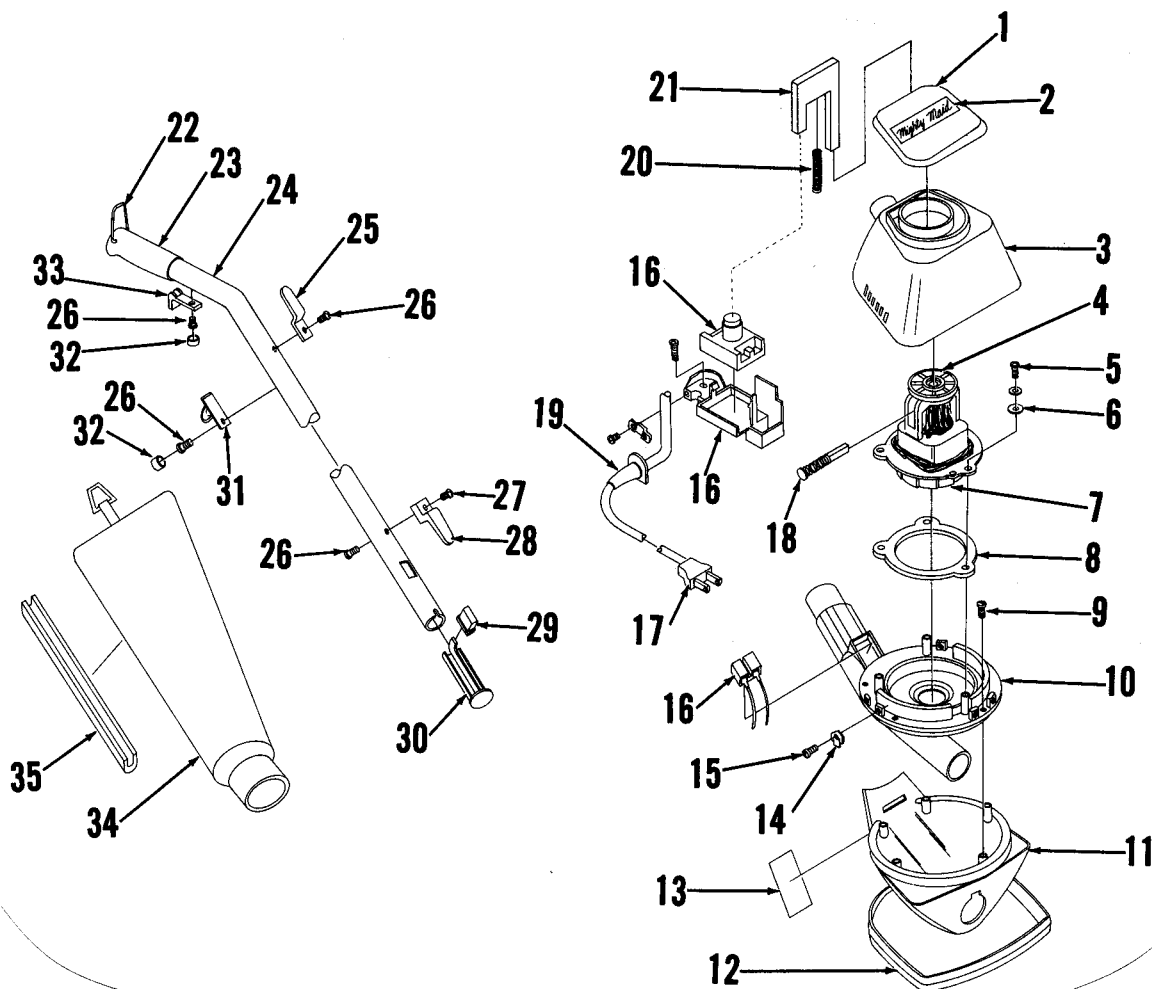
Description	Location	page
Base	C4	1
Vacuum Motor, Bag & Handle	C5	2

POWER BRUSH ASSEMBLY



Item	Part No.	Qty	Description	Item	Part No.	Qty	Description
	702310	1	Power Brush Assembly	21	702200	1	Gasket
1	702321	1	Decal Assembly, Advance	22	702051	2	Nut On-Sert, #10-24
2	702311	1	Shroud, Cover	23	702307	1	Side Panel, Right
3	702211	1	Screw	24	702306	1	Brush Clip
4	702193	1	Motor, 115V	25	702191	2	axle
5	702198	1	Gasket	26	700924	2	Wheel
6	702206	1	Gasket	27	702312	1	Housing
7	700961	1	Carbon Brush Set (2 per Set)	28	702205	1	Sleeve
8	702318	1	Lever Assembly	29	702189	1	Strain Relief
9	702317	1	Wire, Formed	30	702044	1	Cord Set
10	702309	1	Plate	31	702315	1	Clamp
11	702319	2	Seal	32	702316	2	Screw
12	702308	1	Side Panel, Left	33	702315	1	Terminal Block
13	702184	1	Belt	34	702316	1	Screw
14	702314	1	Brush Assembly	35	702203	1	Gasket
15	702204	4	Screw	36	702201	2	Gasket
16	702313	1	Bumper	37	702202	1	Gasket
17	702208	3	Screw	38	702070	2	Clamp
18	702194	2	Screw	39	702210	4	Screw
19	702216	1	Plate & Shoe assembly	40	702182	1	Swivel Adapter
20	702195	1	Spacer	41	702218	1	Latch Assembly

HANDLE AND VACUUM ASSEMBLY



Item	Part No.	Qty	Description	Item	Part No.	Qty	Description
	702320	1	Vacuum Unit Assembly (#1-21)	20	700879	1	Spring
1	702014	1	Cover, Vacuum Unit	21	700912	1	Button, On-Off
2	018416	1	Decal, Mighty Maid	22	700907	1	Hook
3	702016	1	Shroud	23	700919	1	Grip, Handle
4	702026	1	Motor, 115V	24	700853	1	Handle Assembly (#22-33)
5	700763	3	Screw	25	700981	1	Hook, Cord
6	700852	3	Washer	26	700991	5	Screw
7	702100	1	Fan, Motor	27	702068	1	Screw
8	702034	1	Gasket	28	702002	1	Hook, Cord
9	700876	5	Screw	29	702108	1	Push Button
10	700861	1	Base, Vacuum Unit	30	702110	1	Impeller Bracket
11	702012	1	Shroud	31	700979	1	Clip, Cloth Bag
12	702022	1	Bumper, Vacuum Unit	32	702006	2	Cap, Screw
13	018412	1	Decal, Name Plate	33	702106	1	Cord Guide
14	700904	6	Clamp	34	700856	1	Bag, Cloth
15	700916	6	Screw	**	700900	1	Disposable Bag (pkg of 10)
16	702018	1	Switch Kit	35	700903	1	Clip, Bag
17	700935	1	Cord Set	**	702511	1	Adapter TSB 504 - G10
18	700901	2	Brush, Vacuum Motor				
19	702020	1	Strain Relief				

** = Optional Accessory, not included