



Electronic Service Manuals

This electronic document is provided as a service to our customers. We do not create the contents of the information contained in this document. Should you have detailed questions pertaining to the information contained in this document, you may contact Michco, or the manufacturer which provided the original information in this electronic deliverable. Michco's only part in this electronic deliverable was the electronic assembly process.

You may contact Michco through the following methods:
Phone (517) 484-9312 or (800) 331-3339 MI, OH, IN only
2011 N. High St. -- Lansing, Michigan -- 48906
Fax: (517) 484-9836
Email: CustServ@Michco.com
Web site: www.Michco.Com
Parts Web site: www.FloorMachineParts.Com

Order Parts on Line at:
www.FloorMachineParts.Com

Directly to Parts & Service:
By Email: **Shop@Michco.com**
By Fax: (517) 702-2041
By Voice: Use numbers above.

Serving the Cleaning Industry Since 1922

Notice: All copyrighted material remains property of original owners, all trademarks are property of respective owners. Manuals are subject to Manufacturer's reproduction limitations. Originals or reproductions were provided by manufacturers through a request. We make no warranty as to the correctness of information provided in this document and you assume all risk.

MIGHTY MAID MODEL 706330

THIS PARTS LIST IS FOR MACHINES
AFTER SERIAL NUMBER 343600.

PARTS LIST



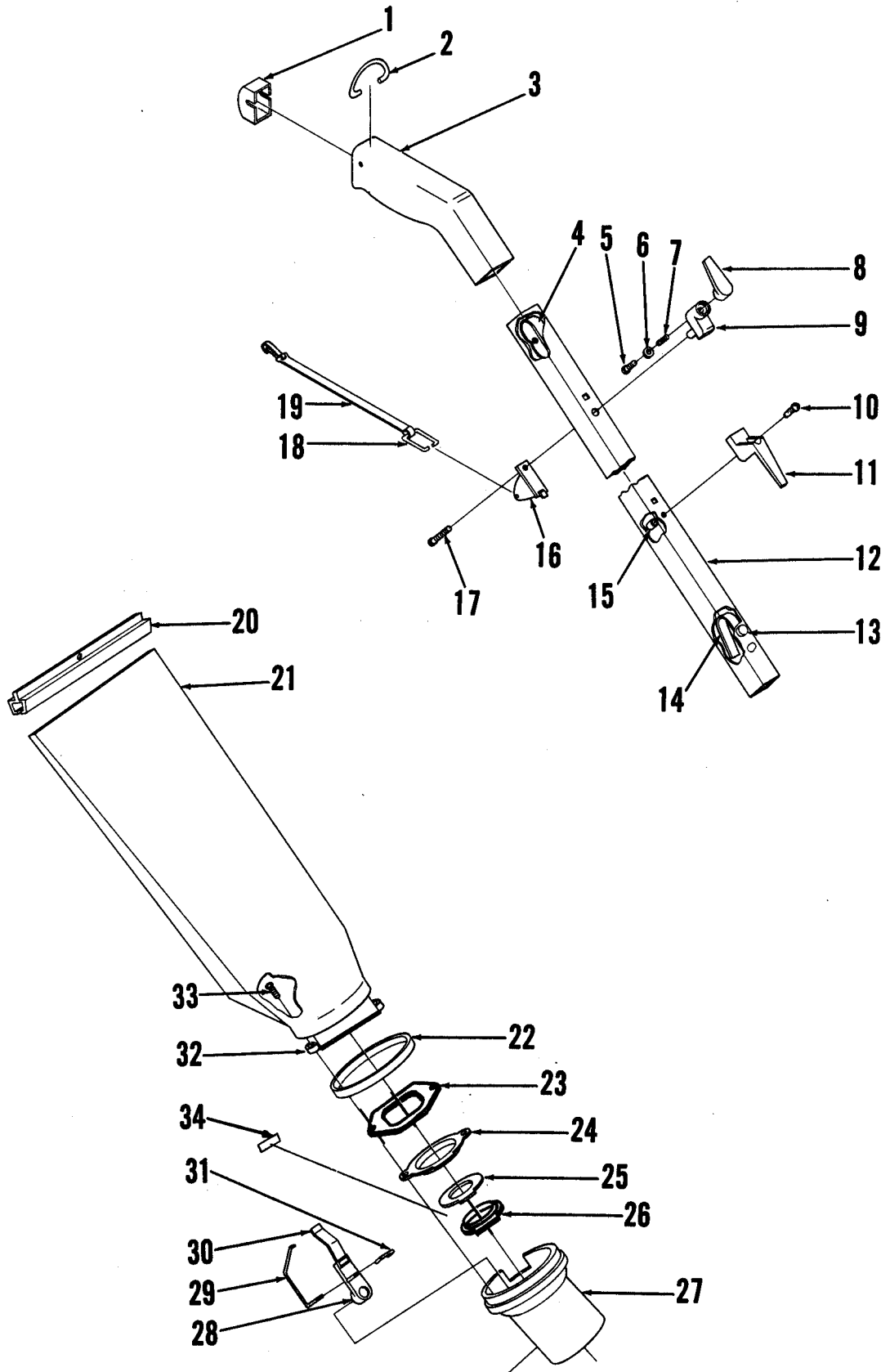
ADVANCE
MACHINE COMPANY®

INTERNATIONAL HEADQUARTERS, Plymouth, MN 55447-3408
EUROPE, Llantrisant, Pontyclun, Mid-Glamorgan CF7 8YZ Wales, United Kingdom
CANADA, 1295 Crestlawn Drive, Mississauga, Ontario L4W 1A9



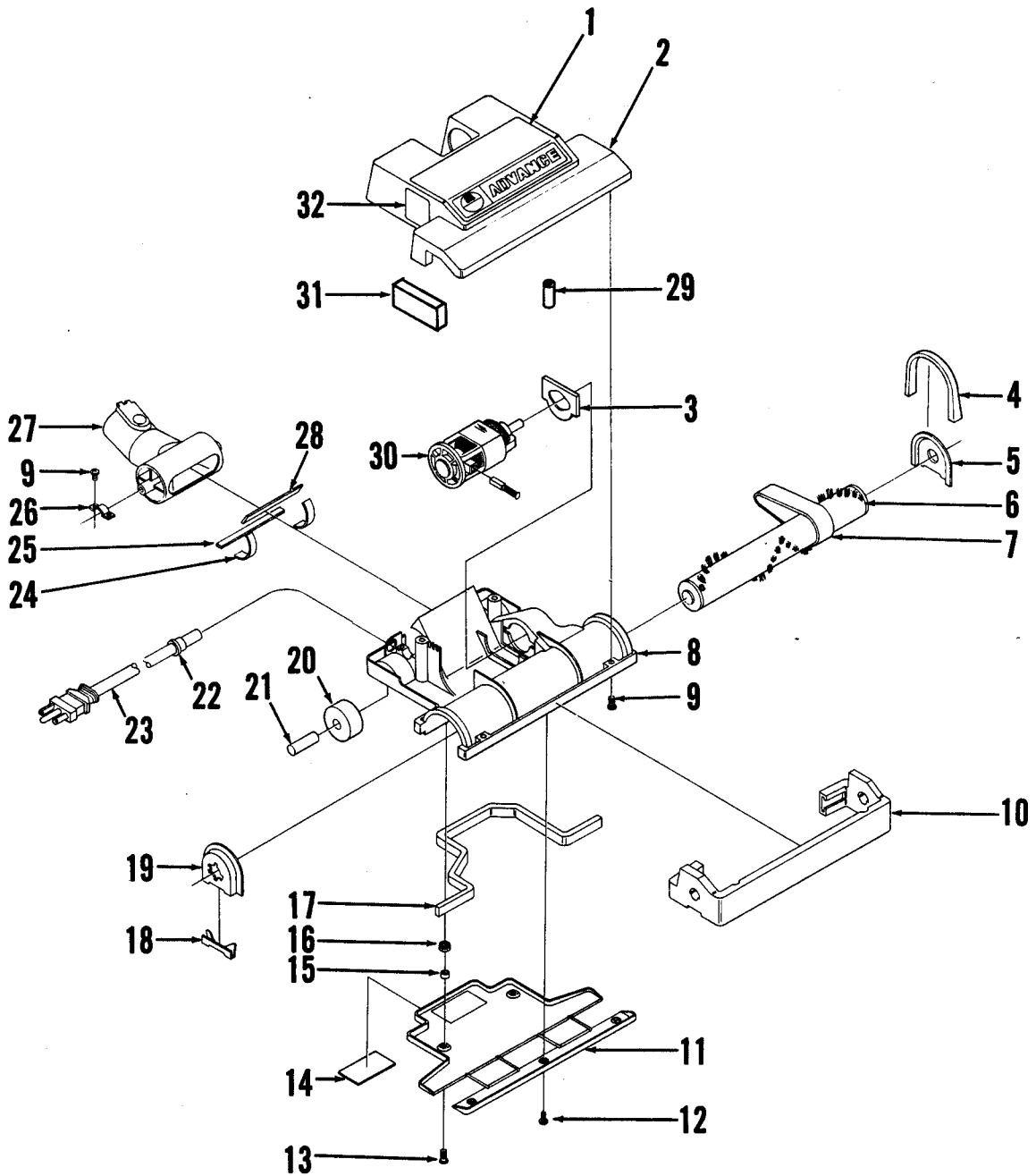
Index for Form Number 042213

| Description | Location | page |
|--------------------|-----------------|-------------|
| Bag and Handle | B4 | 1 |
| Base | B6 | 3 |
| Motor, Vacuum | B8 | 5 |



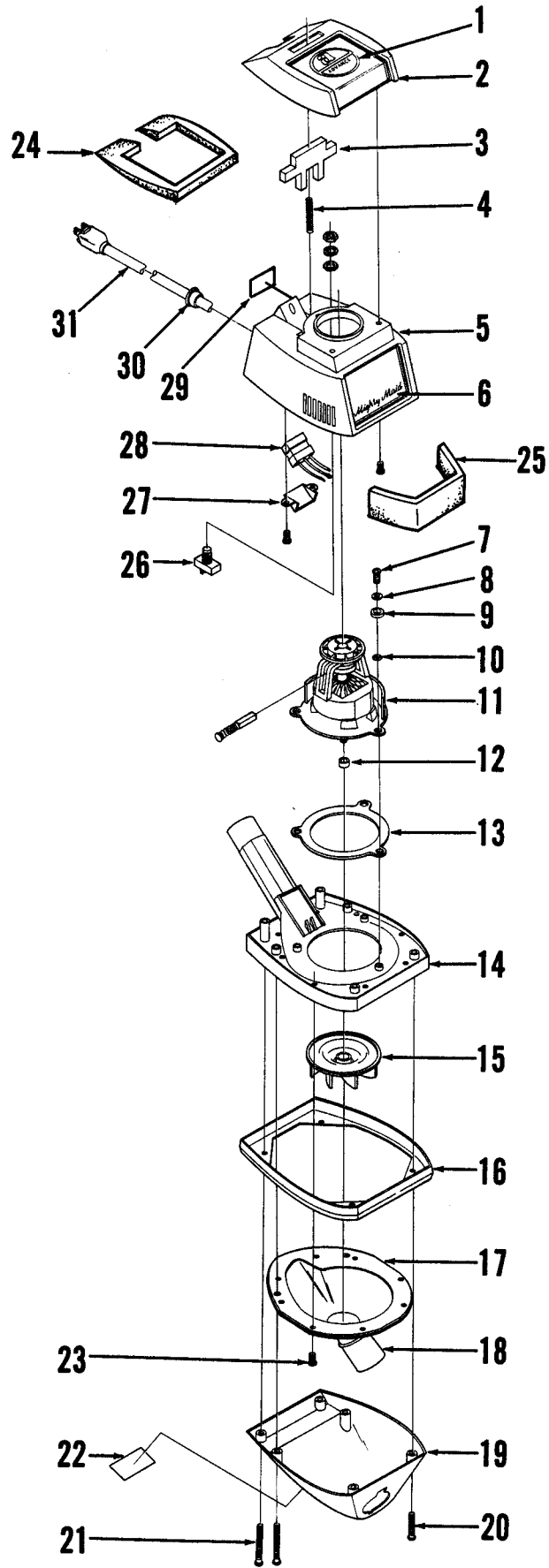
BAG AND HANDLE

| Item | Part No. | Qty | Description |
|------|----------|-----|-------------------------------------|
| | 706299 | 1 | Handle Assembly (#1-19) |
| 1 | 706224 | 1 | Handle Plug |
| 2 | 706222 | 1 | Handle Hook |
| 3 | 706220 | 1 | Grip |
| 4 | 706226 | 1 | Snap Button |
| 5 | 706157 | 1 | Screw |
| 6 | | 1 | Flat Washer, #6 |
| 7 | 706214 | 1 | Spring |
| 8 | 706291 | 1 | Arm Hook |
| 9 | 706290 | 1 | Base Hook |
| 10 | | 1 | Screw, 6-32 x .5 |
| 11 | 706289 | 1 | Cord Hook |
| 12 | 706288 | 1 | Tube Handle |
| 13 | 706228 | 1 | Button |
| 14 | 706204 | 1 | Snap Button |
| 15 | 706234 | 1 | Nutsert |
| 16 | 706287 | 1 | Clip |
| 17 | 706218 | 1 | Screw |
| 18 | 706232 | 1 | Formed Wire |
| 19 | 706230 | 1 | Bag Strap Assembly |
| | 706311 | 1 | Dust Bag Assembly (#20-34) |
| 20 | 706194 | 1 | Bag Clip |
| 21 | 706192 | 1 | Cloth Bag |
| | 706196 | 1 | Paper Bag, pkg of 10 (not included) |
| 22 | 706172 | 1 | Bag Band |
| 23 | 706175 | 1 | Gasket |
| 24 | 706190 | 1 | Collar |
| 25 | 706188 | 1 | Gasket |
| 26 | 706186 | 1 | Plate |
| 27 | 706286 | 1 | Neck |
| 28 | 706178 | 1 | Button |
| 29 | 706184 | 1 | Spring |
| 30 | 706180 | 1 | Flat Spring |
| 31 | 706182 | 1 | Wire |
| 32 | 706176 | 1 | Tube |
| 33 | 706157 | 2 | Screw |
| 34 | 301585 | 1 | Gasket |



POWER BRUSH ASSEMBLY

| Item | Part No. | Qty | Description |
|------|----------|-----|---------------------------------------|
| | 706327 | 1 | Power Brush Assembly (#1-32) |
| 1 | 014064 | 1 | Decal, Advance |
| 2 | 706325 | 1 | Cover Shroud |
| 3 | 706166 | 1 | Motor Gasket |
| 4 | 706111 | 2 | Panel Mount |
| 5 | 706127 | 1 | Left Side Panel |
| 6 | 702192 | 1 | Brush Assembly |
| 7 | 702184 | 1 | Belt |
| 8 | 706323 | 1 | Housing |
| 9 | 706157 | 8 | Screw |
| 10 | 706124 | 1 | Bumper |
| 11 | 706132 | 1 | Shoe Assembly |
| 12 | 706159 | 3 | Screw |
| 13 | 706236 | 2 | Screw |
| 14 | 014707 | 1 | Name Plate |
| 15 | 706125 | 2 | Washer |
| 16 | 702051 | 2 | On-Sert |
| 17 | 706165 | 1 | Gasket |
| 18 | 706123 | 2 | Shoe Clip |
| 19 | 706128 | 1 | Right Side Panel |
| 20 | 706116 | 2 | Wheel |
| 21 | 706168 | 2 | Axle |
| 22 | 706074 | 1 | Strain Relief 115V |
| 23 | 706328 | 1 | Cord Set 115V, includes Strain Relief |
| 24 | 706167 | 2 | Gasket |
| 25 | 706163 | 1 | Gasket |
| 26 | 706130 | 2 | Clamp |
| 27 | 706293 | 1 | Adapter Swivel Assembly |
| 28 | 706161 | 1 | Gasket |
| 29 | 706162 | 1 | Spring Pin |
| 30 | 706321 | 1 | Motor 115V |
| | 503021 | 1 | Carbon Brush Set for 706321 |
| 31 | 706109 | 1 | Foam Filter |
| 32 | 015314 | 1 | Decal, Warning |



VACUUM MOTOR ASSEMBLY

| Item | Part No. | Qty | Description |
|------|----------|-----|---|
| | 706326 | 1 | Vacuum Motor Assembly (#1-31) |
| 1 | 014067 | 1 | Decal, Advance |
| 2 | 706284 | 1 | Cover |
| 3 | 706084 | 1 | Switch Bar |
| 4 | 706094 | 1 | Spring |
| 5 | 706324 | 1 | Upper Shroud |
| 6 | 014073 | 1 | Decal, Mighty Maid |
| 7 | 706097 | 8 | Screw |
| 8 | 706083 | 3 | Washer |
| 9 | 706095 | 3 | Washer |
| 10 | 745699 | 3 | O-Ring |
| 11 | 706322 | 1 | Vacuum Motor 115V |
| | 323097 | 1 | Carbon Brush Set for 706322 |
| 12 | 320595 | 1 | Bushing |
| 13 | 706072 | 1 | Gasket |
| 14 | 706297 | 1 | Upper Base |
| 15 | 706052 | 1 | Fan |
| 16 | 706066 | 1 | Bumper |
| 17 | 706090 | 1 | Gasket |
| 18 | 706296 | 1 | Lower Base |
| 19 | 706295 | 1 | Lower Shroud |
| 20 | 706098 | 2 | Screw |
| 21 | 706099 | 4 | Screw |
| 22 | 014707 | 1 | Name Plate |
| 23 | 706157 | 8 | Screw |
| 24 | 706065 | 1 | Foam |
| 25 | 706063 | 1 | Foam |
| 26 | 706096 | 1 | Switch 115V |
| 27 | 706082 | 1 | Clamp |
| 28 | 706075 | 1 | Receptacle Assembly. 115V |
| 29 | 015314 | 1 | Decal, Warning |
| 30 | 706074 | 1 | Strain Relief 115V |
| 31 | 706077 | 1 | Cord Set 115V |
| ** | 702511 | 1 | D Shaped Adapter for Accessory Tools TSB 504 - G10 |

** = Optional Accessory, not included