



Electronic Service Manuals

This electronic document is provided as a service to our customers. We do not create the contents of the information contained in this document. Should you have detailed questions pertaining to the information contained in this document, you may contact Michco, or the manufacturer which provided the original information in this electronic deliverable. Michco's only part in this electronic deliverable was the electronic assembly process.

You may contact Michco through the following methods:
Phone (517) 484-9312 or (800) 331-3339 MI, OH, IN only
2011 N. High St. -- Lansing, Michigan -- 48906
Fax: (517) 484-9836
Email: CustServ@Michco.com
Web site: www.Michco.Com
Parts Web site: www.FloorMachineParts.Com

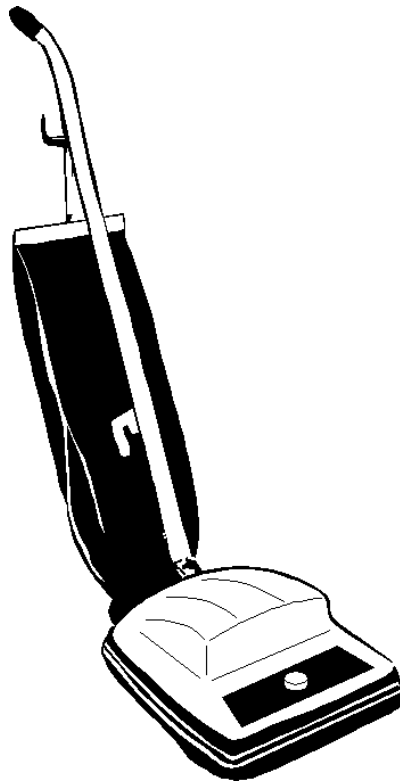
Order Parts on Line at:
www.FloorMachineParts.Com

Directly to Parts & Service:
By Email: **Shop@Michco.com**
By Fax: (517) 702-2041
By Voice: Use numbers above.

Serving the Cleaning Industry Since 1922

Notice: All copyrighted material remains property of original owners, all trademarks are property of respective owners. Manuals are subject to Manufacturer's reproduction limitations. Originals or reproductions were provided by manufacturers through a request. We make no warranty as to the correctness of information provided in this document and you assume all risk.

AdVac™ 12



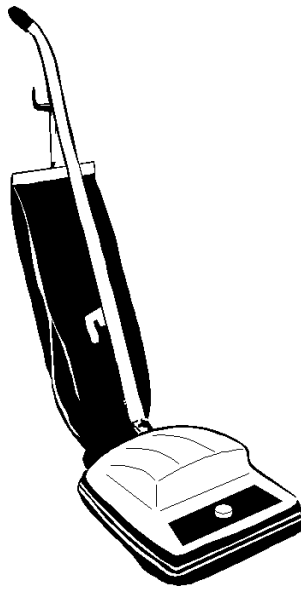
PARTS LIST

AdVac™ MODEL 56648181



Advance
by Nilfisk-Advance

1/02 FORM NO. 56042425

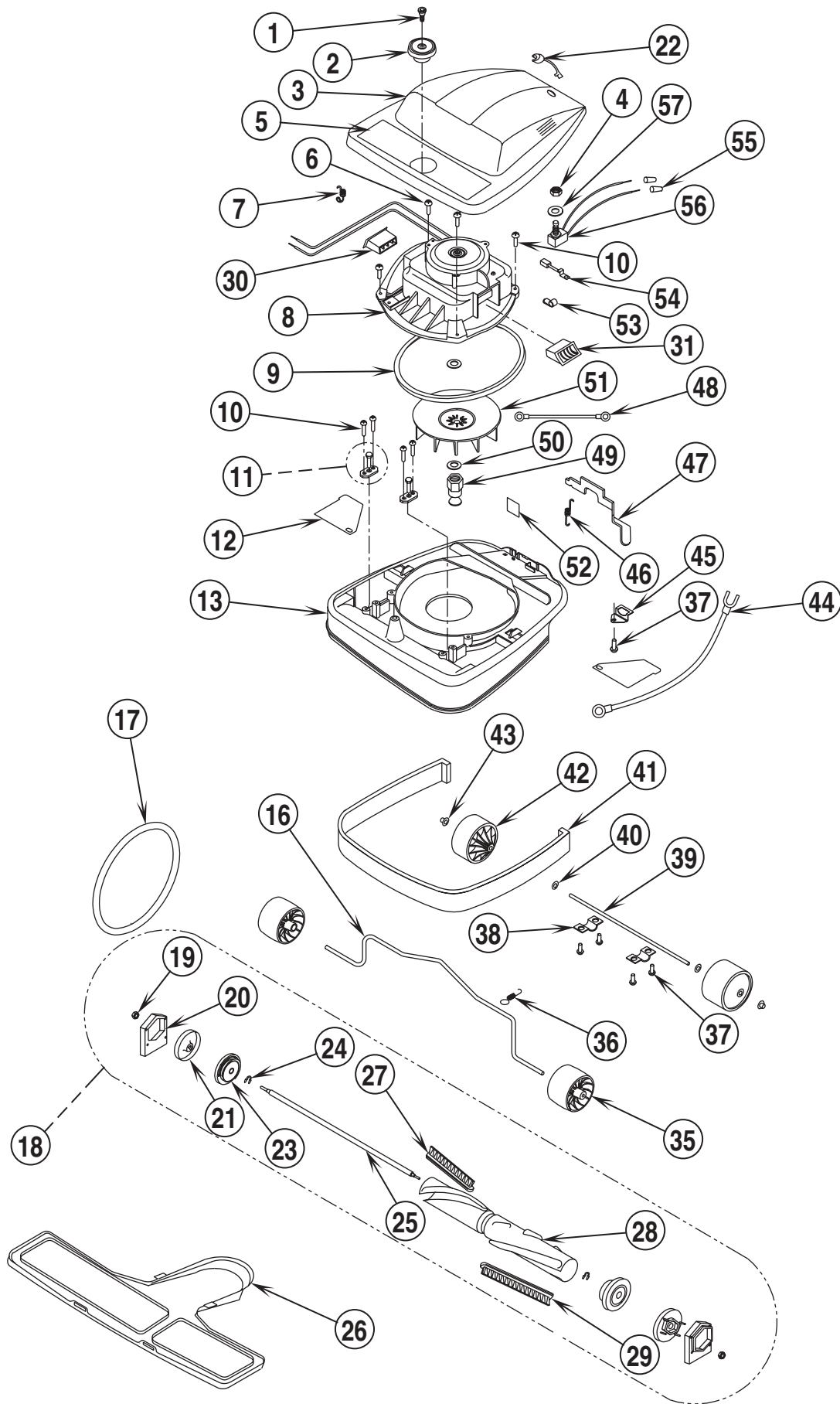


DESCRIPTION	PAGE
BASE ASSEMBLY	2-3
WIRING DIAGRAM	3
VAC MOTOR ASSEMBLY	4-5
HANDLE ASSEMBLY	6-7

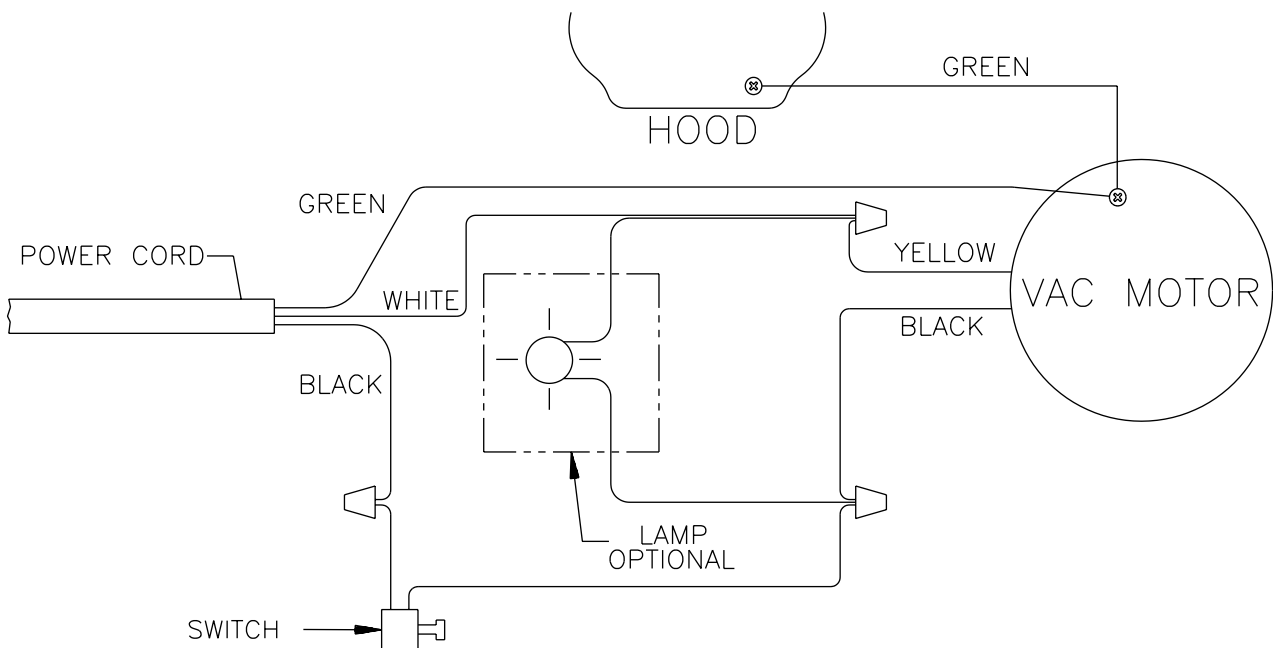
WHEN ORDERING PARTS

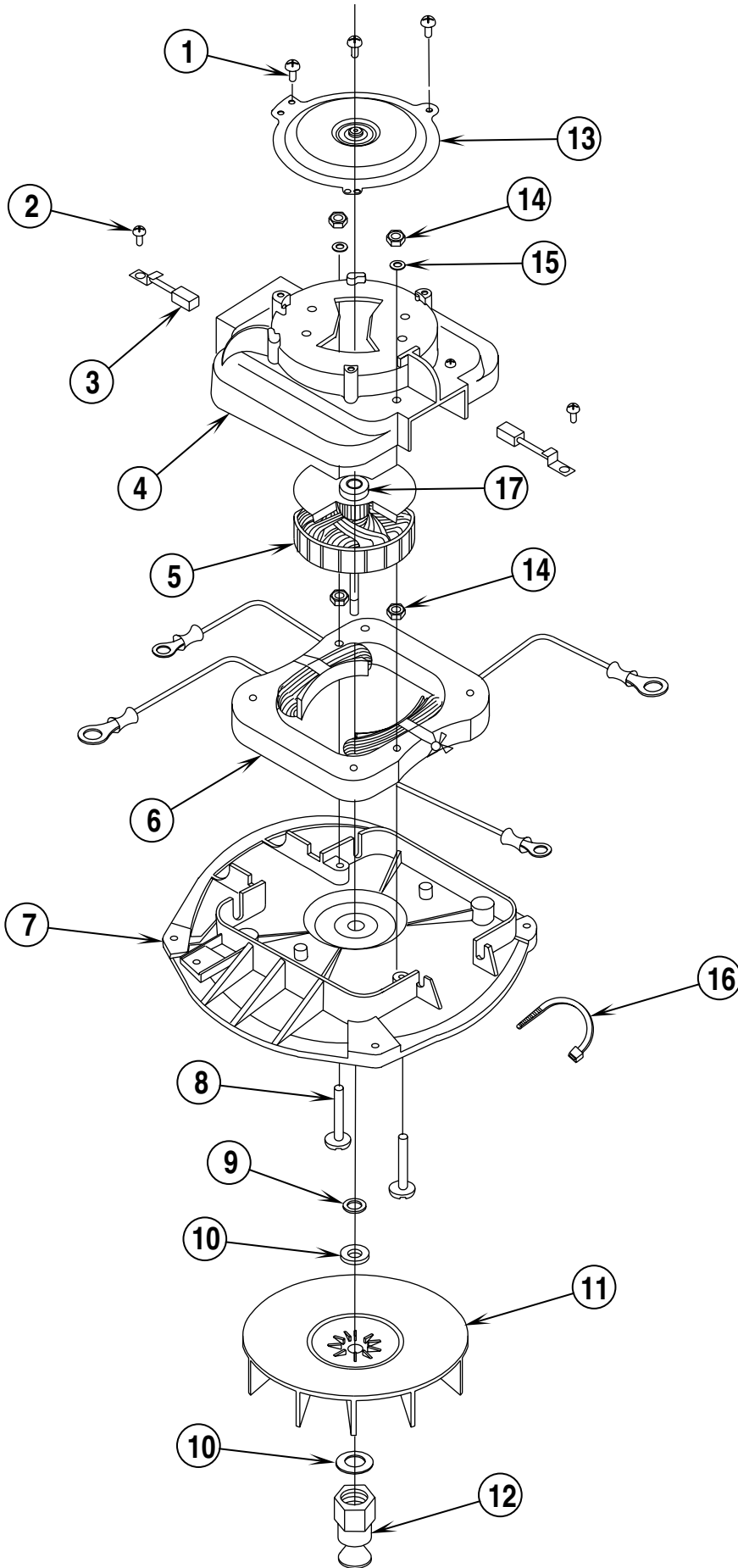
- * Use the 8 digit numbers from the "Ref. No." columns in this parts list.
- * Specify the model and serial number of the machine.
- * Use the space below to record the model and serial number for future reference.

Model _____ Serial No. _____

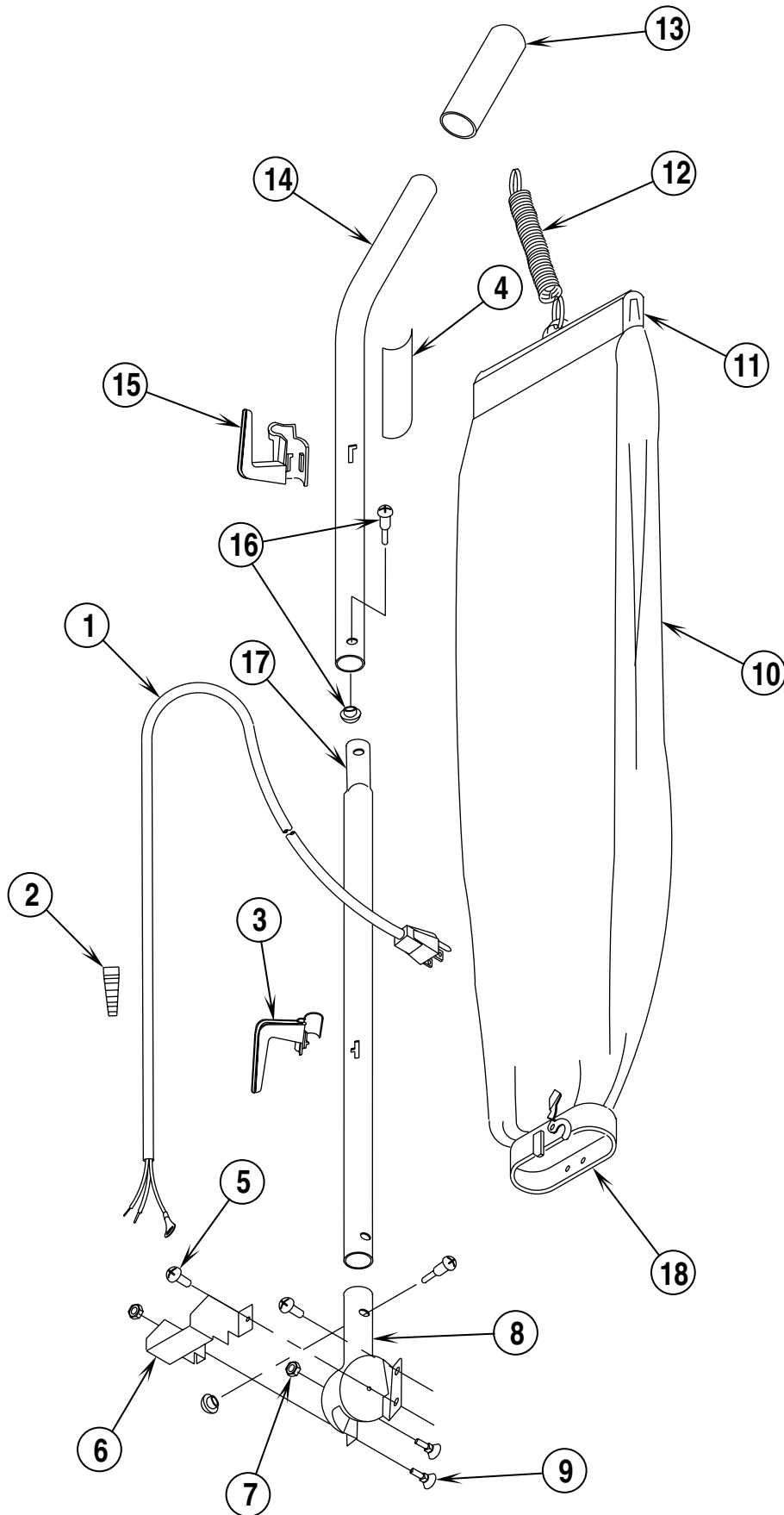


Item	Ref. No.	Qty	Description	Item	Ref. No.	Qty	Description
1	56009385	1	Scr Shldr Plasform 12-10 x .172	35	56630592	2	Wheel—2.25dia.,.322bore,1.62hb
2	56630517	1	Asm,Knob	36	56630620	1	Spring,Ext .275d 1.50l .024wd
3	56648081	1	Hood,Mtr—Light Gray	37	56009191	5	Scr Tpg F Pan Hd 10-10x.500l
4	56630917	1	Nut-Switch Upright	38	56630921	2	Clamp,Axle
5	56016571	1	Decal, AdVac	39	56630671	1	Axle,Rear—Sc886-A
6	56003322	1	Scr Tpg F Pan Hd 10-10x.625l	40	56009384	2	Wshr Flt .328id.562od.033t Stil
7	56630765	2	Spring,Ext .304d .930l .055wd	41	56630508	1	Guard,Furn—Clear Blue,31.00l
8	56630358	1	Mtr,Vac—Uprrt,7 Amp,115v	42	56630500	2	Wheel—2.62dia.,.316bore,.797hb
9	56630562	2	Gasket-Motor Seal	43	56630767	2	Nut,Push-On
10	56003504	7	Scr Tpg F Pan Hd 10-10x.812 L	44	56630790	1	Asm,Wire—18ga,Grn,7.5l,Rings
11	56630791	2	Asm,Clamp & Screw	45	56630668	1	Retainer Brkt—Bag Clip
12	56630606	2	Cover-Wheel	46	56630732	1	Spring,Ext .257d 1.25l .035wd
13	56648063	1	Asm,Base	47	56630395	1	Pedal,Foot—Uprrt,White
16	56630597	1	Axle-Front (C2035g)	48	56630914	1	Asm,Wire—18ga,Grn,9.0l,Rings
17	56630563	1	Belt-Disturbulator Drive	49	56630665	1	Pulley—Motor Drive,Service
18	56630489	1	Asm,Disturbulator	50	56630799	2	Wshr Flt .312id.625od.094t Fbr
19	56630819	2	Nut,Hex Lock— 10-32,Nyloc	51	56630273	1	Fan—Upright,Lexan
20	56630488	2	Cap,Cover—Various Uprights	52	56630965	1	Label—Warning Moving Parts
21	56630486	2	Cap,Disturbulator—1.515dia.	53	56630837	1	Clamp,Loop—.250 Closed Id,Nyl
22	56630768	1	Bshg,Strn Rlf—Heyco Sr-6n3-4	54	56630561	2	Brush,Mtr
23	56630661	2	Asm,Retainer—Bearing	55	56638120	3	Nut,Wire—Ideal 72b,Blu
24	56630866	2	Ring,Rtng—Ext,.312 Shaft,5304	56	56630621	1	Switch,Push—Spst,10a,125v
25	56630479	1	Shaft-Disturbulator	57	56009383	1	Wsh, Int Shprf .509 x .625 x .020
26	56630478	1	Asm,Plate—Bottom				
27	56630467	1	Asm,Strip—Bristle,4.5" Long	**	56052964	1	Magnet, Permanent
28	56630307	1	Tube,Disturbulator	**	56630325	1	Kit, Upright Attachment
29	56630469	1	Asm,Strip—Bristle,6" Long				
30	56630950	1	Asm,Air Duct—Right				** = Not Included (optional)
31	56630949	1	Asm,Air Duct—Left				





Item	Ref. No.	Qty	Description
1	56630787	3	Scr Tpg C Pan Hd 8-Btx.500l
2	56002811	2	Scr Mach Pan Hd 6-32x.250l
3	56630561	2	Brush,Mtr
4	56630525	1	Cover,Mtr
5	56630901	1	Kit,Armature—Replacement
6	56630895	1	Stator,Mtr
7	56630567	1	Asm,Base—Motor
8	56630793	2	Orlo Thd. Screw
9	56630870	1	Wshr Flt .318id.500od.046t Stl
10	56630799	2	Wshr Flt .312id.625od.094t Fbr
11	56630273	1	Fan—Upright,Lexan
12	56630665	1	Pulley—Motor Drive,Service
13	56630375	1	Asm,Retainer
14	56009148	4	Nut,Hex— 8-32,Zn Plt
15	56009010	2	Wshr Lk .172id.330od.020t Int
16	56630749	1	Tie-Cable—3.62" Long
17	56630723	1	Brg,Ball—.275id, .866od,.315w



Item	Ref. No.	Qty	Description
1	56025715	1	Cord,Power—18-3,Sjt,Gray,50'
2	56630634	1	Spring,Comp .625d 2.12l .042wd
3	56630298	1	Hook,Cord—Uprt,Lower,Black
4	56630714	1	Label,Warn—Uprt,Eng/French
5	56003322	2	Scr Tpg F Pan Hd 10-10x.625l
6	56630623	1	Shield-Handle Socket
7	56002768	2	Nut,Hex Lock— 10-24,Nyloc
8	56630696	1	Asm,Handle Socket
9	56003543	2	Bolt,Carriage—10-24 X .625l
10	56630387	1	Asm,Bag—Top Fill,Blk,Tyt,Hdc
11	56630565	1	Clip—Bag,Chrome Over Nkl Plt
12	56630761	1	Spring,Ext .531d 3.89l .054wd
13	56630575	1	Grip,Handle—Black
14	56630267	1	Upper Tube—Upright
15	56630295	1	Hook,Cord—Uprt,Upper,Black
16	56630919	2	Asm,Screw—Handle
17	56630268	1	Handle Tube—Upright
18	56630874	1	Bag,Adapter—Service Item Only
**	56630427	1	Zipper Bag
**	56703533	A/R	Disposable Paper Bag (pkg of 3)
**	56703549	A/R	Disposable Paper Bag (case of 36)
**	56039515	1	Kit, Dirt Cup

** = Not Included (optional)



**Nilfisk
Advance**

setting standards

Nilfisk-Advance, Inc.

14600 21st Avenue North
Plymouth, MN 55447-3408

www.nilfisk-advance.com

Phone: 800-989-2235

Fax: 800-989-6566

©2003 Printed in the U.S.A.