



Electronic Service Manuals

This electronic document is provided as a service to our customers. We do not create the contents of the information contained in this document. Should you have detailed questions pertaining to the information contained in this document, you may contact Michco, or the manufacturer which provided the original information in this electronic deliverable. Michco's only part in this electronic deliverable was the electronic assembly process.

You may contact Michco through the following methods:
Phone (517) 484-9312 or (800) 331-3339 MI, OH, IN only
2011 N. High St. -- Lansing, Michigan -- 48906
Fax: (517) 484-9836
Email: CustServ@Michco.com
Web site: www.Michco.Com
Parts Web site: www.FloorMachineParts.Com

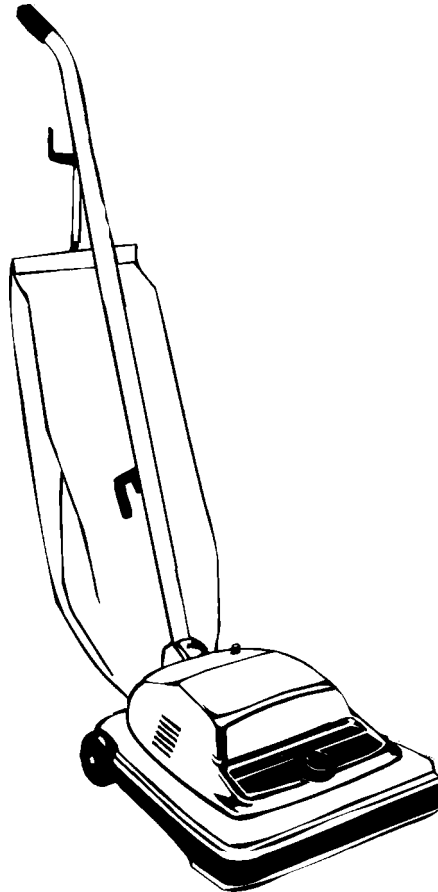
Order Parts on Line at:
www.FloorMachineParts.Com

Directly to Parts & Service:
By Email: **Shop@Michco.com**
By Fax: (517) 702-2041
By Voice: Use numbers above.

Serving the Cleaning Industry Since 1922

Notice: All copyrighted material remains property of original owners, all trademarks are property of respective owners. Manuals are subject to Manufacturer's reproduction limitations. Originals or reproductions were provided by manufacturers through a request. We make no warranty as to the correctness of information provided in this document and you assume all risk.

AdVac™ 12HP



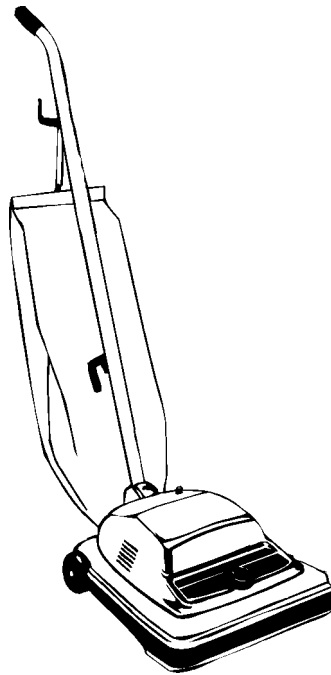
PARTS LIST

AdVac™ MODEL 56648243



Advance
by Nilfisk-Advance

1/02 FORM NO. 56042426

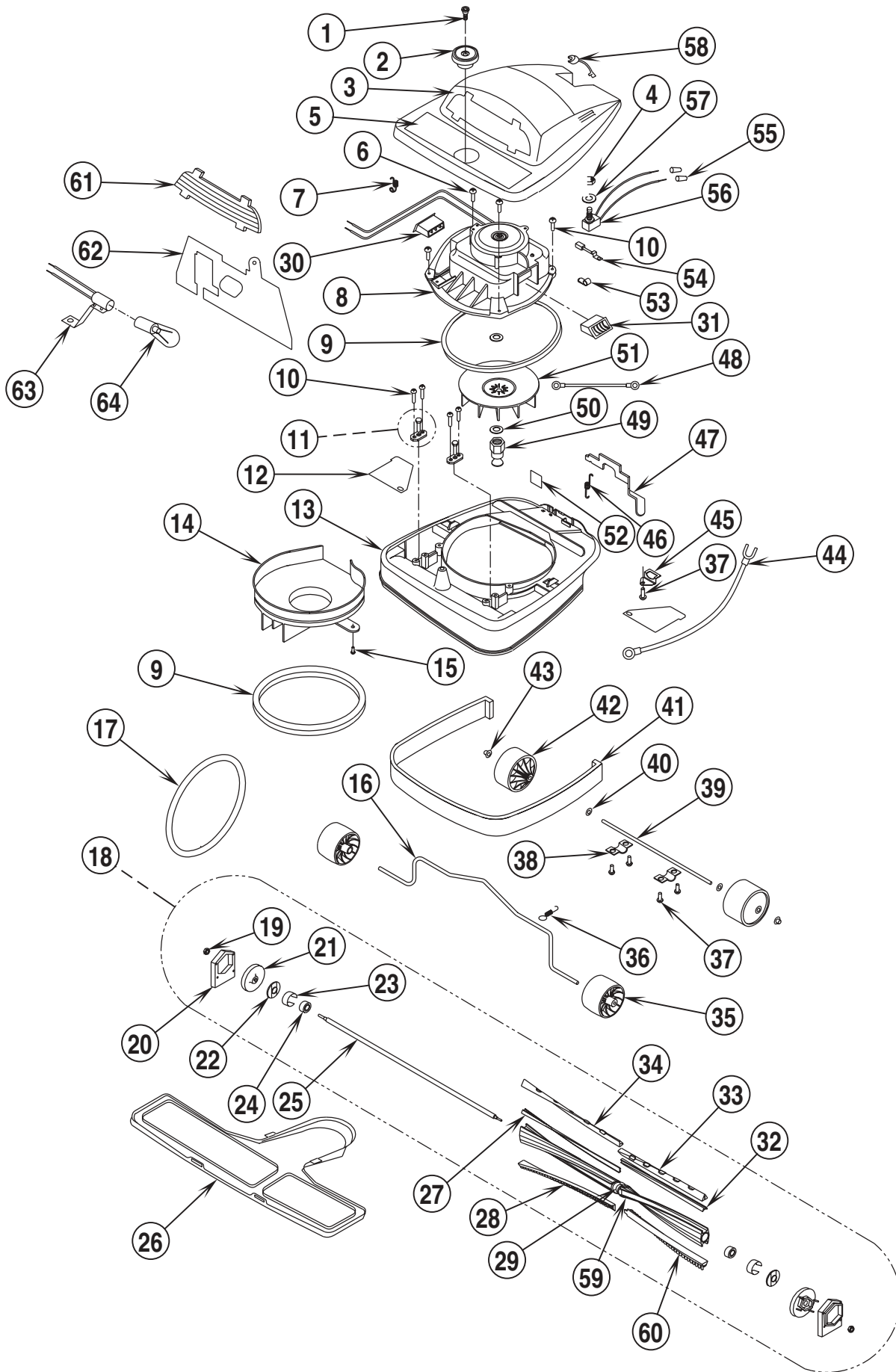


DESCRIPTION	PAGE
BASE ASSEMBLY	2-3
WIRING DIAGRAM	3
VAC MOTOR ASSEMBLY	4-5
HANDLE ASSEMBLY	6-7

WHEN ORDERING PARTS

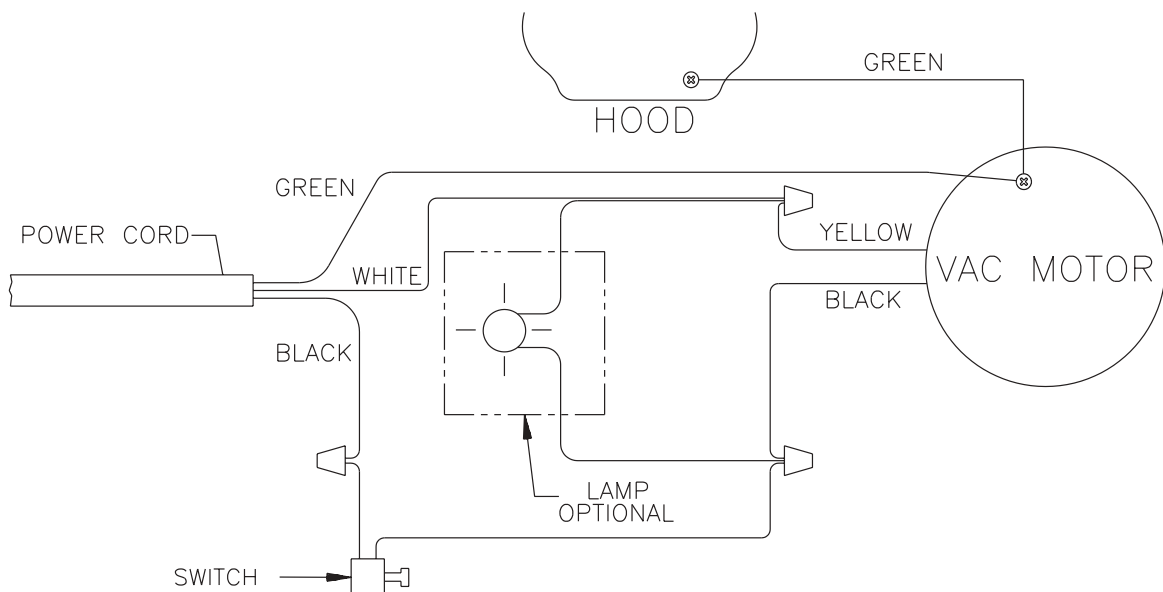
- * Use the 8 digit numbers from the "Ref. No." columns in this parts list.
- * Specify the model and serial number of the machine.
- * Use the space below to record the model and serial number for future reference.

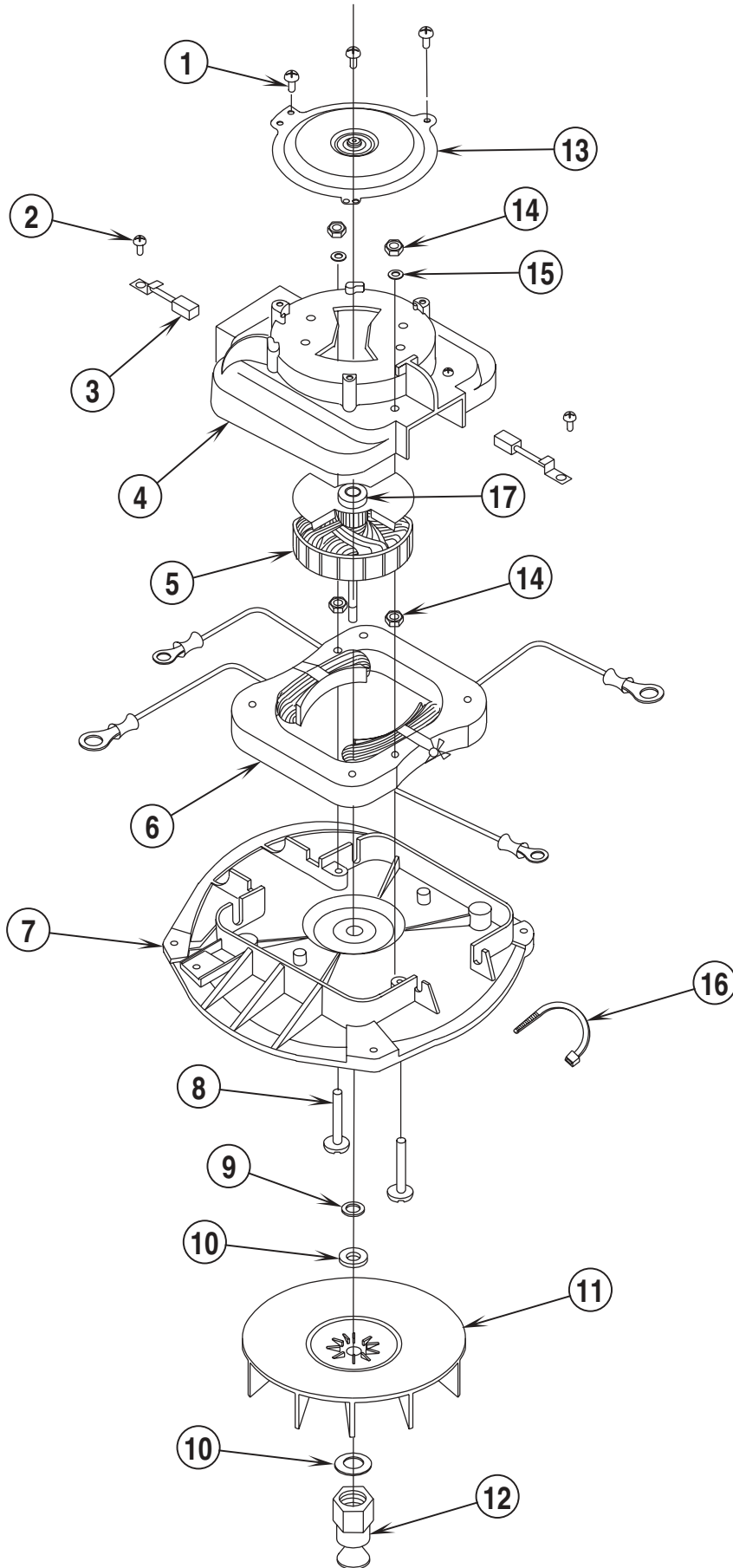
Model _____ Serial No. _____



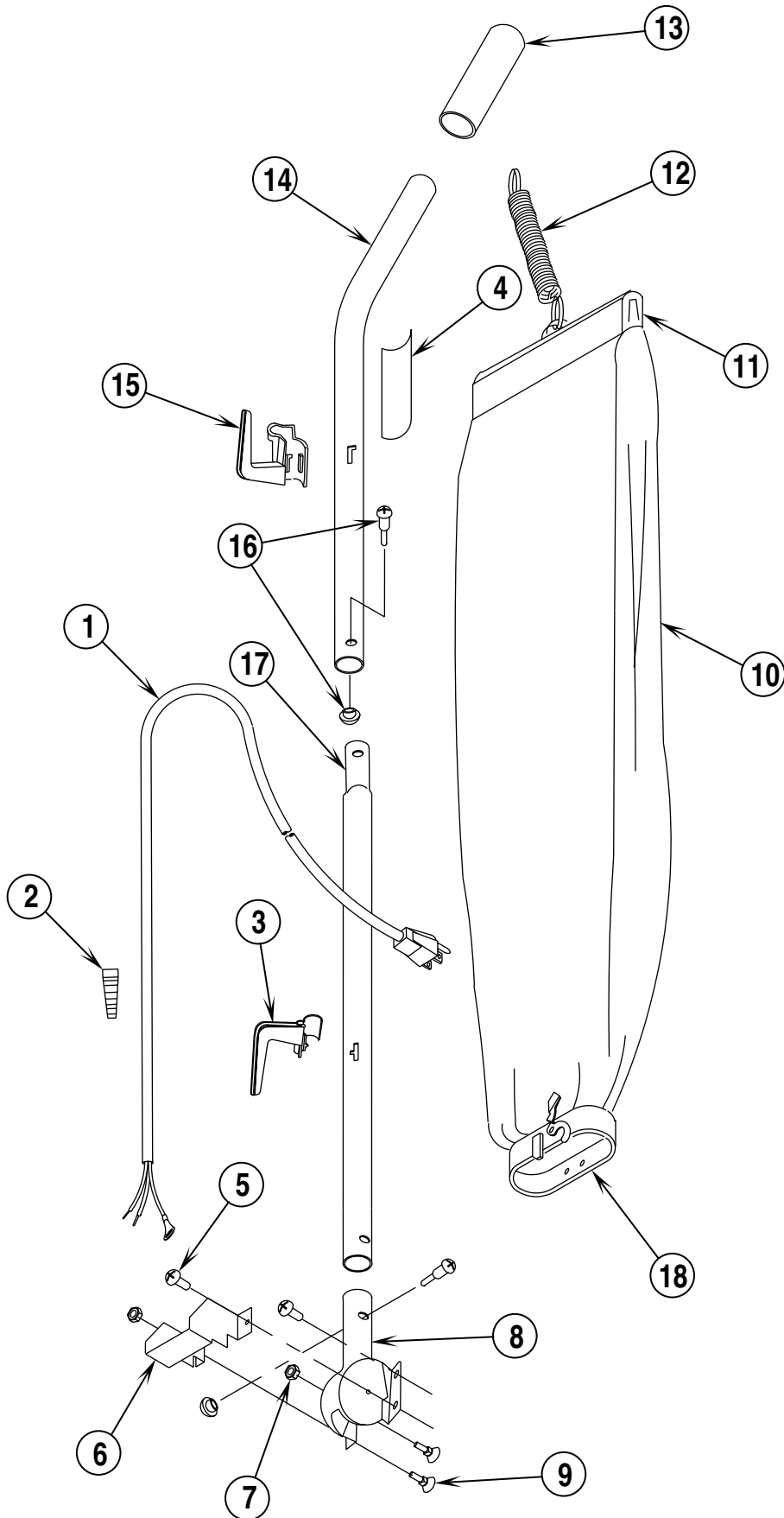
Item	Ref. No.	Qty	Description	Item	Ref. No.	Qty	Description
1	56009385	1	Scr Shldr Plasform 12-10 x .172	36	56630620	1	Spring,Ext .275d 1.50l .024wd
2	56630517	1	Asm,Knob	37	56009191	5	Scr Tpg F Pan Hd 10-10x.500l
3	56648083	1	Hood,Mtr	38	56630921	2	Clamp,Axle
4	56630917	1	Nut-Switch Upright	39	56630671	1	Axle,Rear—Sc886-A
5	56016571	1	Decal, AdVac	40	56009384	2	Wshr Flt .328id.562od.031
6	56003322	1	Scr Tpg F Pan Hd 10-10x.625l	41	56630508	1	Guard,Furn—Clear Blue,31.00l
7	56630765	2	Spring,Ext .304d .930l .055wd	42	56630500	2	Wheel—2.62dia,.316bore,.797hb
8	56630358	1	Motor, Vac,115v	43	56630767	2	Nut,Push-On—
9	56630562	2	Gasket-Motor Seal	44	56630790	1	Asm,Wire—18ga,Grn,7.5l,Rings
10	56003504	7	Scr Tpg F Pan Hd 10-10x.812 L	45	56630668	1	Retainer Brkt—Bag Clip
11	56630791	2	Asm,Clamp & Screw—	46	56630732	1	Spring,Ext .257d 1.25l .035wd
12	56630606	2	Cover-Wheel	47	56630395	1	Pedal,Foot—Uprt,White
13	56648061	1	Asm,Base	48	56630914	1	Asm,Wire—18ga,Grn,9.0l,Rings
14	56630333	1	Cover-Fan Scroll	49	56630665	1	Pulley—Motor Drive,Service
15	56003504	2	Scr Tpg F Pan Hd 10-10x.812 L	50	56630799	2	Wshr Flt .312id.625od.094t Fbr
16	56630597	1	Axle-Front (C2035g)	51	56630273	1	Fan—Upright,Lexan
17	56630563	1	Belt-Disturbulator Drive	52	56630965	1	Label—Warning Moving Parts
18	56630492	1	Asm,Disturbulator—Uprt,12,Vg1	53	56630837	1	Clamp,Loop—.250 Closed Id,Nyl
19	56630819	2	Nut,Hex Lock— 10-32,Nyloc	54	56630561	2	Brush,Mtr
20	56630488	2	Cap,Cover—Various Uprights	55	56638120	3	Nut,Wire—Ideal 72b,Blu
21	56630487	2	Cap,Disturbulator—1.480dia.	56	56630621	1	Switch,Push—Spst,10a,125v
22	56630589	2	Cover Plate	57	56009383	1	Wshr Int Shprt .509 x .625 x .020
23	56630763	2	Tolerance Ring	58	56630768	1	Bshg,Strn Rlf—Heyco Sr-6n3-4
24	56630762	2	Brg,Ball—.250id,.688od,.312w	59	56630587	1	Asm,Extrusion & Pulley—
25	56630582	1	Shaft-Disturbulator	60	56630698	1	Bristle Strip Asm.,Short
26	56630478	1	Asm,Plate—Bottom	61	56630265	1	Lens, Hood
27	56630594	1	Support-Beater Bar Long	62	56630420	1	Shield, Light
28	56630699	1	Bristle Strip Asm.,Long	63	56630680	1	Asm, Headlamp Socket
29	56630770	1	Pulley Replacement Pkg	64	56630722	1	Lamp, Headlight, 115v
30	56630950	1	Asm,Air Duct—Right				
31	56630949	1	Asm,Air Duct—Left	**	56052964	1	Magnet, Permanent
32	56630593	1	Support-Beater Bar Short	**	56630325	1	Kit, Upright Attachment
33	56630583	1	Beater Bar-Short				
34	56630584	1	Bar-Beater Long				
35	56630592	2	Wheel—2.25dia,.322bore,1.62hb				

** = Not Included (optional)





Item	Ref. No.	Qty	Description
1	56630787	3	Scr Tpg C Pan Hd 8-Btx.500l
2	56002811	2	Scr Mach Pan Hd 6-32x.250l
3	56630561	2	Brush,Mtr
4	56630525	1	Cover,Mtr
5	56630901	1	Kit,Armature—Replacement (115V Only)
6	56630895	1	Stator,Mtr (115V Only)
7	56630567	1	Asm,Base—Motor
8	56630793	2	Orlo Thd. Screw
9	56630870	1	Wshr Flt .318id.500od.046t Stl
10	56630799	2	Wshr Flt .312id.625od.094t Fbr
11	56630273	1	Fan—Upright,Lexan
12	56630665	1	Pulley—Motor Drive,Service
13	56630375	1	Asm,Retainer
14	56009148	4	Nut,Hex— 8-32,Zn Plt
15	56009010	2	Wshr Lk .172id.330od.020t Int
16	56630749	1	Tie-Cable—3.62" Long
17	56630723	1	Brg,Ball—.275id,.866od,.315w



Item	Ref. No.	Qty	Description
1	56025715	1	Cord,Power—18-3,Sjt,Gray,50'
2	56630634	1	Spring,Comp .625d 2.12l .042wd
3	56630298	1	Hook,Cord—Uprt,Lower,Black
4	56630714	1	Label,Warn—Uprt,Eng/French
5	56003322	2	Scr Tpg F Pan Hd 10-10x.625l
6	56630623	1	Shield-Handle Socket
7	56002768	2	Nut,Hex Lock— 10-24,Nyloc
8	56630696	1	Asm,Handle Socket
9	56003543	2	Bolt,Carriage—10-24 X .625l
10	56630387	1	Asm,Bag—Top Fill,Blk,Tyt,Hdc
11	56630565	1	Clip—Bag,Chrome Over Nkl Plt
12	56630761	1	Spring,Ext .531d 3.89l .054wd
13	56630575	1	Grip,Handle—Black
14	56630267	1	Upper Tube—Upright
15	56630295	1	Hook,Cord—Uprt,Upper,Black
16	56630919	2	Asm,Screw—Handle
17	56630268	1	Handle Tube—Upright
18	56630874	1	Bag,Adapter—Service Item Only
**	56630427	1	Zipper Bag
**	56703533	A/R	Disposable Paper Bag (pkg of 3)
**	56703549	A/R	Disposable Paper Bag (case of 36)
**	56039515	1	Kit, Dirt Cup

** = Not Included (optional)



Nilfisk-Advance, Inc.
14600 21st Avenue North
Plymouth, MN, 55447-3408
www.nilfisk-advance.com
Phone: 800-989-2235
Fax: 800-989-6566
©2001 Nilfisk-Advance, Inc.,
Plymouth, MN 55447-3408
Printed in the U.S.A.