



## Electronic Service Manuals

This electronic document is provided as a service to our customers. We do not create the contents of the information contained in this document. Should you have detailed questions pertaining to the information contained in this document, you may contact Michco, or the manufacturer which provided the original information in this electronic deliverable. Michco's only part in this electronic deliverable was the electronic assembly process.

You may contact Michco through the following methods:  
Phone (517) 484-9312 or (800) 331-3339 MI, OH, IN only  
2011 N. High St. -- Lansing, Michigan -- 48906  
Fax: (517) 484-9836  
Email: [CustServ@Michco.com](mailto:CustServ@Michco.com)  
Web site: [www.Michco.Com](http://www.Michco.Com)  
Parts Web site: [www.FloorMachineParts.Com](http://www.FloorMachineParts.Com)

Order Parts on Line at:  
**[www.FloorMachineParts.Com](http://www.FloorMachineParts.Com)**

Directly to Parts & Service:  
By Email: **[Shop@Michco.com](mailto:Shop@Michco.com)**  
By Fax: (517) 702-2041  
By Voice: Use numbers above.

**Serving the Cleaning Industry Since 1922**

Notice: All copyrighted material remains property of original owners, all trademarks are property of respective owners. Manuals are subject to Manufacturer's reproduction limitations. Originals or reproductions were provided by manufacturers through a request. We make no warranty as to the correctness of information provided in this document and you assume all risk.

# Retriever™

---



## **PARTS LIST**

### **Advance MODEL 360B(OBSOLETE)**

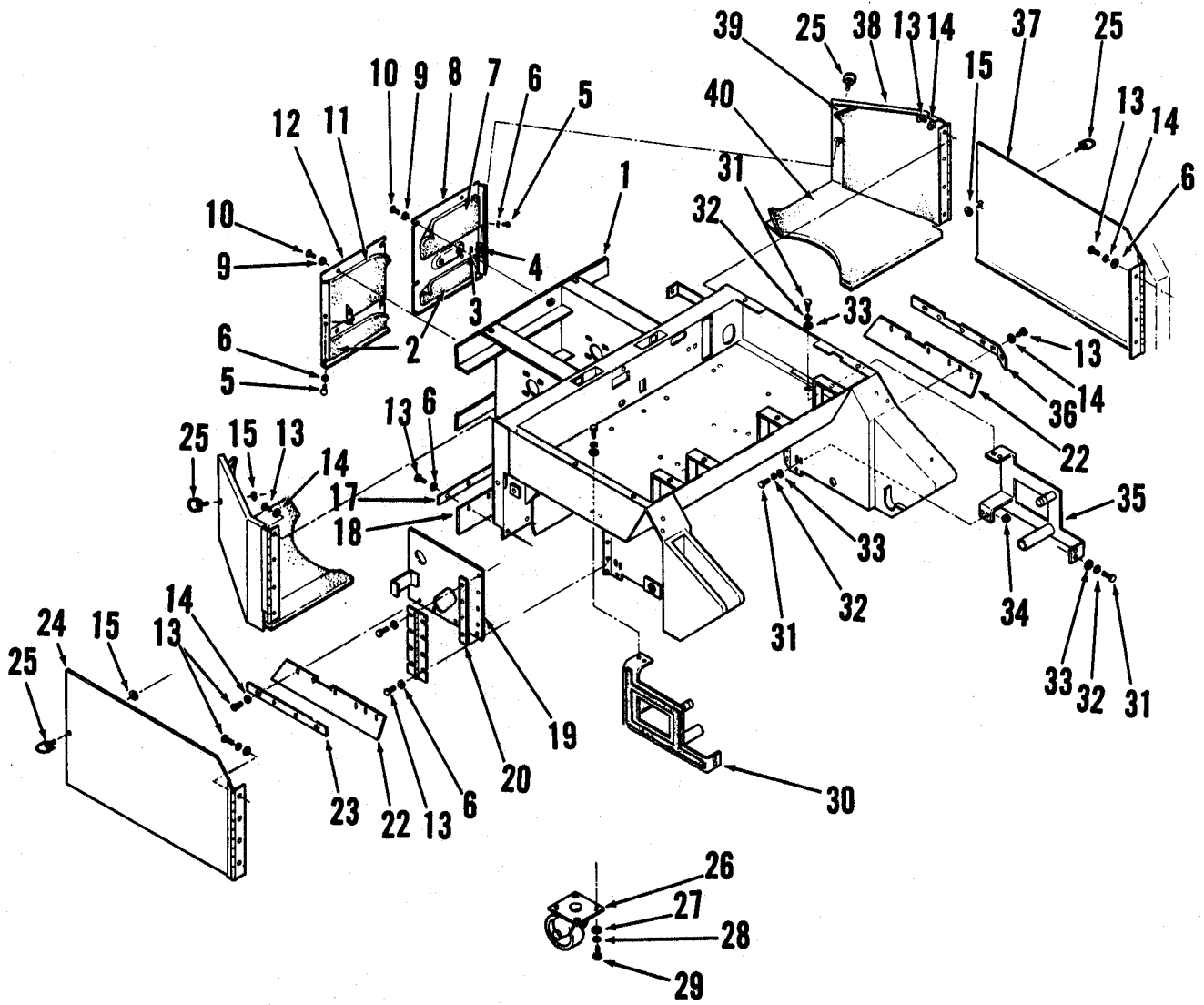
**This parts list is for machines after serial number 069838**



**Nilfisk  
Advance**

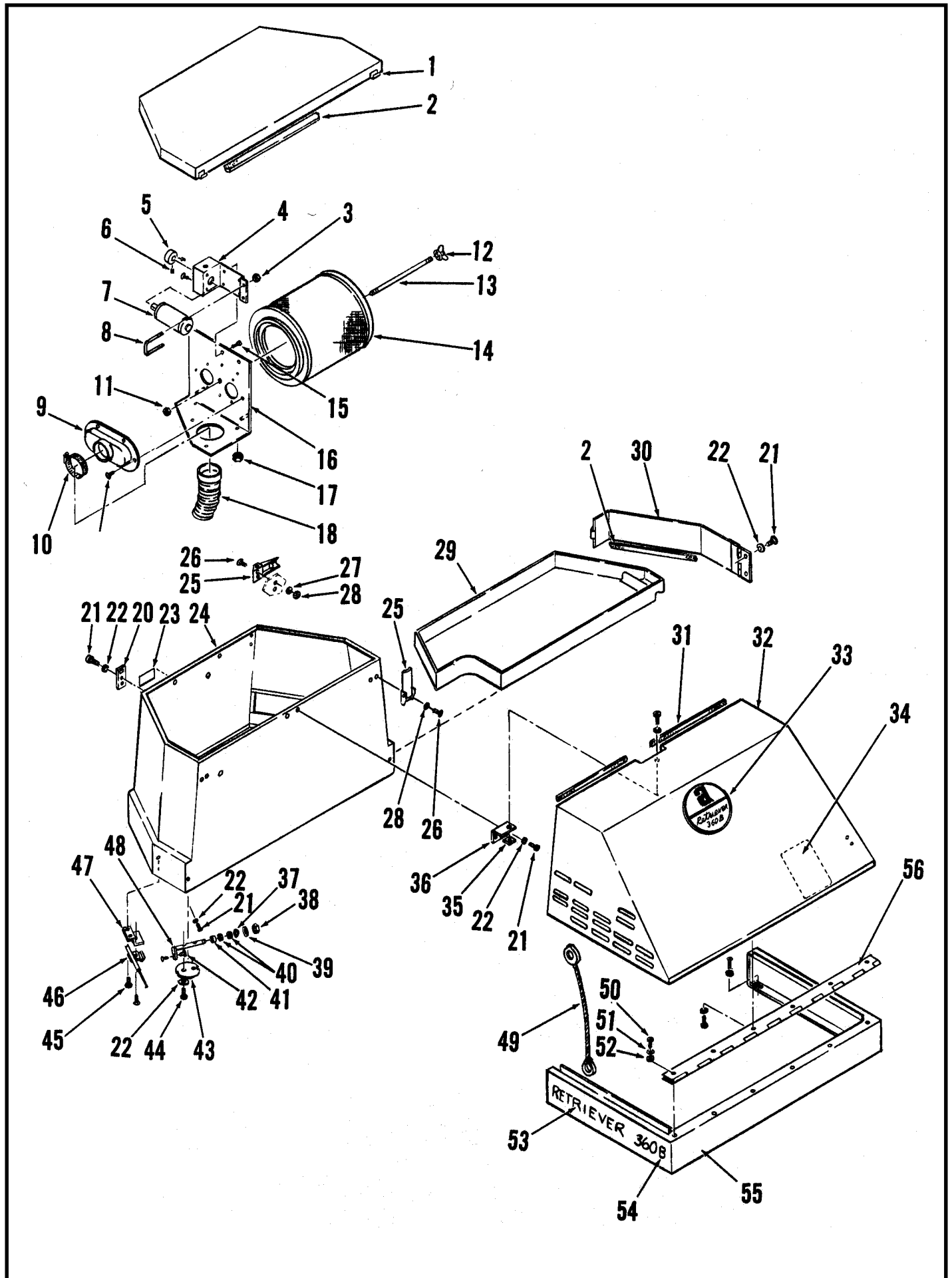
*setting standards*

7/85 revised 2/01 FORM NO. 56042136



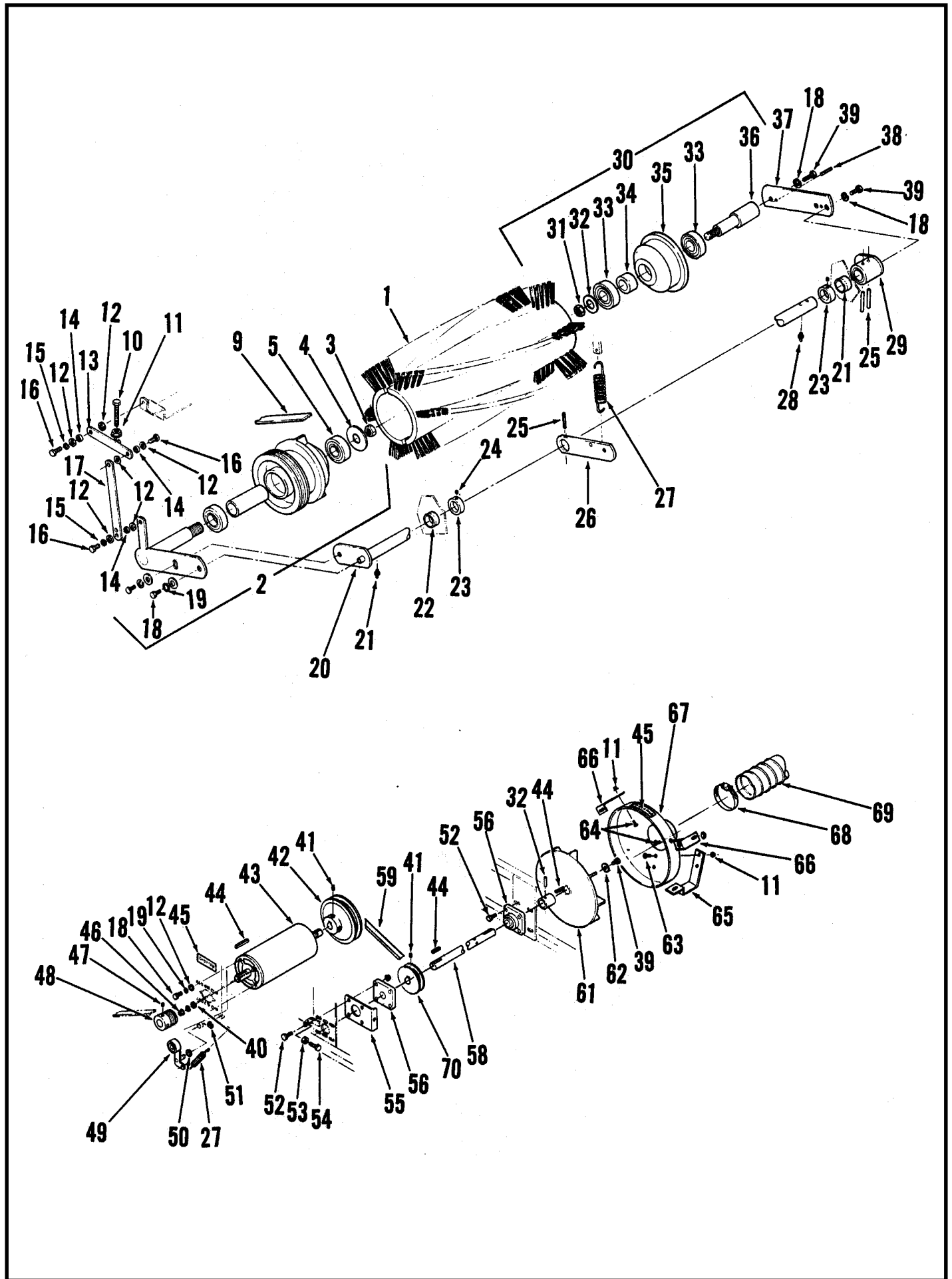
# CHASSIS

Item	Part No.	Qty	Description
1	468051	1	Chassis
2	469548	2	Acoustical Foam
3		4	Whiz Nut 10-24
4	448109	2	Mounting Plate
5		4	Screw 10-24 x 3/8
6		4	Flat Washer #10
7	469546	1	Acoustical Foam
8	469614	1	Left Panel
9	449340	15	Finishing Washer
10		12	Screw 10-24 x 5/16
11	469554	1	Acoustical Foam
12	469616	1	Right Panel
13		40	Screw 10-24 x 1/2
14		40	Shakeproof Washer #10
15	448108	4	Retainer Washer
16	469550	1	Foam, Right-Rear Door
17	470598	1	Blade
18	470604	1	Strap
19	469092	1	Broom Door
20	469096	1	Broom Door Spacer
21	469098	1	Broom Door Hinge
22	469314	2	Blade
23	469316	1	Strap
24	469606	1	Right Side Door
25	448104	4	Fastener Screw
26	470582	1	Swivel Caster
27		4	Flat Washer
28		4	Lock Washer
29		4	Screw 3/8-16 x 3/4
30	468836	1	Right Axle
31		12	Screw 1/4-20 x 5/8
32		12	Lock Washer 1/4
33		12	Flat Washer 1/4
34		12	Nut 1/4-20
35	468820	1	Left Axle
36	469318	1	Left Strap
37	469608	1	Left Door
38	469602	1	Left Door
39	469554	1	Acoustical Foam
40	469552	1	Acoustical Foam



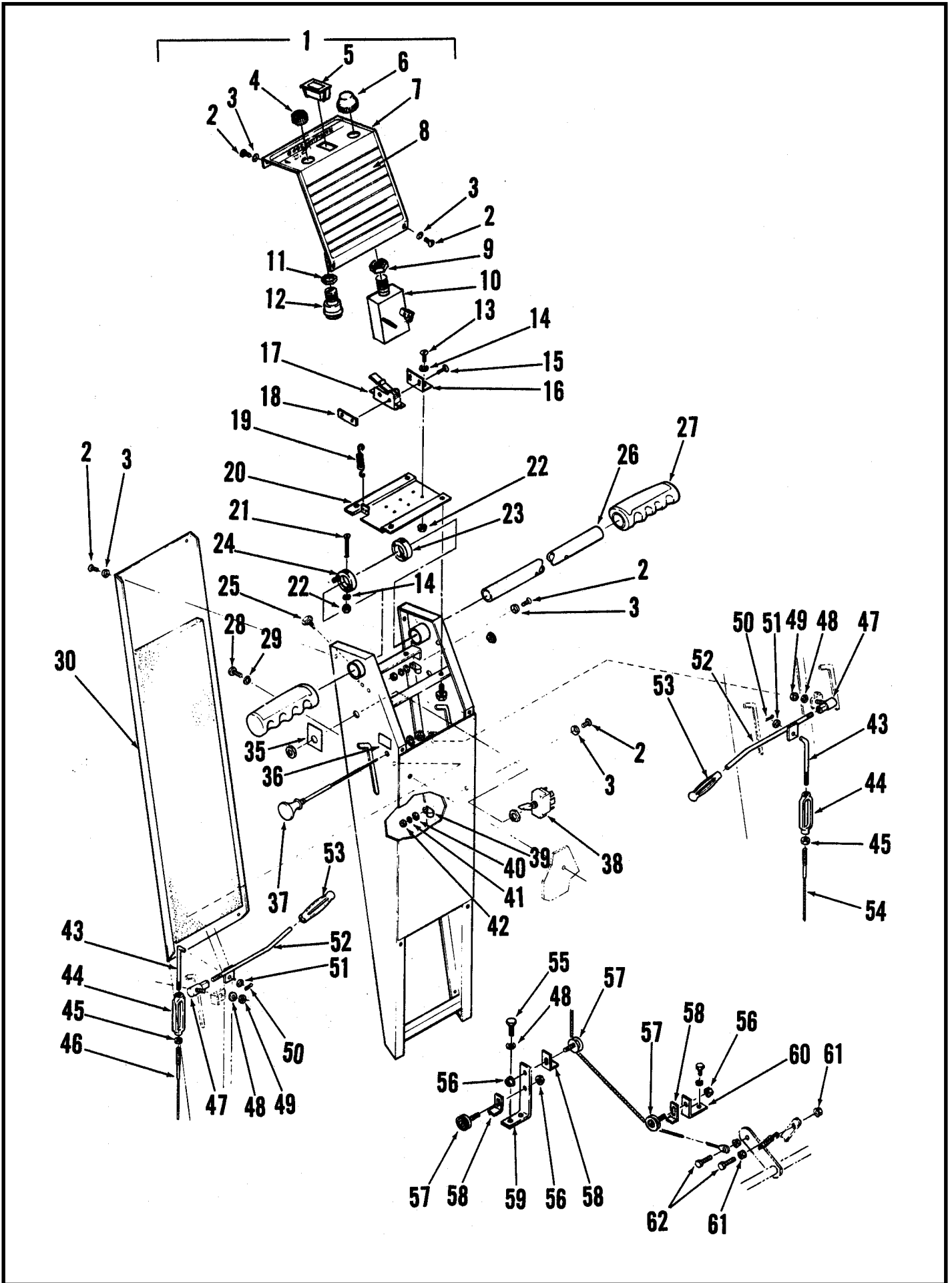
## FILTER HOUSING AND HOOD

Item	Part No.	Qty	Description	Item	Part No.	Qty	Description
1	469640	1	Cover	29	469216	1	Tray
2	200754	15"	Gasket	30	468188	1	Door
3	469021	2	Nut	31	209434	1	Gasket
4	468331	1	Motor Mount	32	468191	1	Hood
5	491822	1	Eccentric	33	024958	1	Decal, Advance Logo
6		2	Set Screw 10-24 x 3/8	34	025131	1	Decal, Wiring
7	468176	1	Shaker Motor	35	468960	1	Screw Receptacle
*	491823	1	Carbon Brush Kit (for 468176)	36	469231	1	Bracket
8	468329	1	U-Bolt	37	163767	1	Spring Washer
9	468017	1	Hose Mount	38	481708	1	Lock Nut
10	352829	1	Hose Clamp	39		1	Flat Washer 3/8
11		2	Jam Nut 7/16-20	40	329098	2	Nylon Bearing
12	468015	1	Nut	41	232181	1	Bushing
13	468021	1	Filter Stud	42	442445	1	Swivel
14	468019	1	Filter Element	43	469208	1	Plate
15		8	Screw 1/4-20 x 3/4	44		2	Screw 6-32 x 5/16
16	468011	3	Filter Mount	45		2	Screw 10-24 x 1/2
17		3	Hex Nut 1/4-20	46	468522	1	Cable Clamp
18	469370	1	Hose	47	469366	1	Cable Bracket
19		8	Screw 10-32 x 1/2	48	469214	1	Cable Bracket
20	468762	2	Plate	49	755830	1	Wire Rope Assembly
21		10	Screw 8-32 x 1/2	50		8	Screw 10-24 x 3/8
22		10	Flat Washer #8	51		8	Shakeproof Washer #10
23	024976	1	Decal, Main Broom	52		8	Flat Washer #10
24	468002	1	Filter Housing	53	025148	2	Decal, Retriever
25	471194	3	Latch Assembly	54	025230	2	Decal, B
26		6	Screw 6-32 x 1/2	55	468198	1	Base
27		8	Shakeproof. Washer #6	56	472030	1	Hinge
28		6	Hex Nut 6-32				



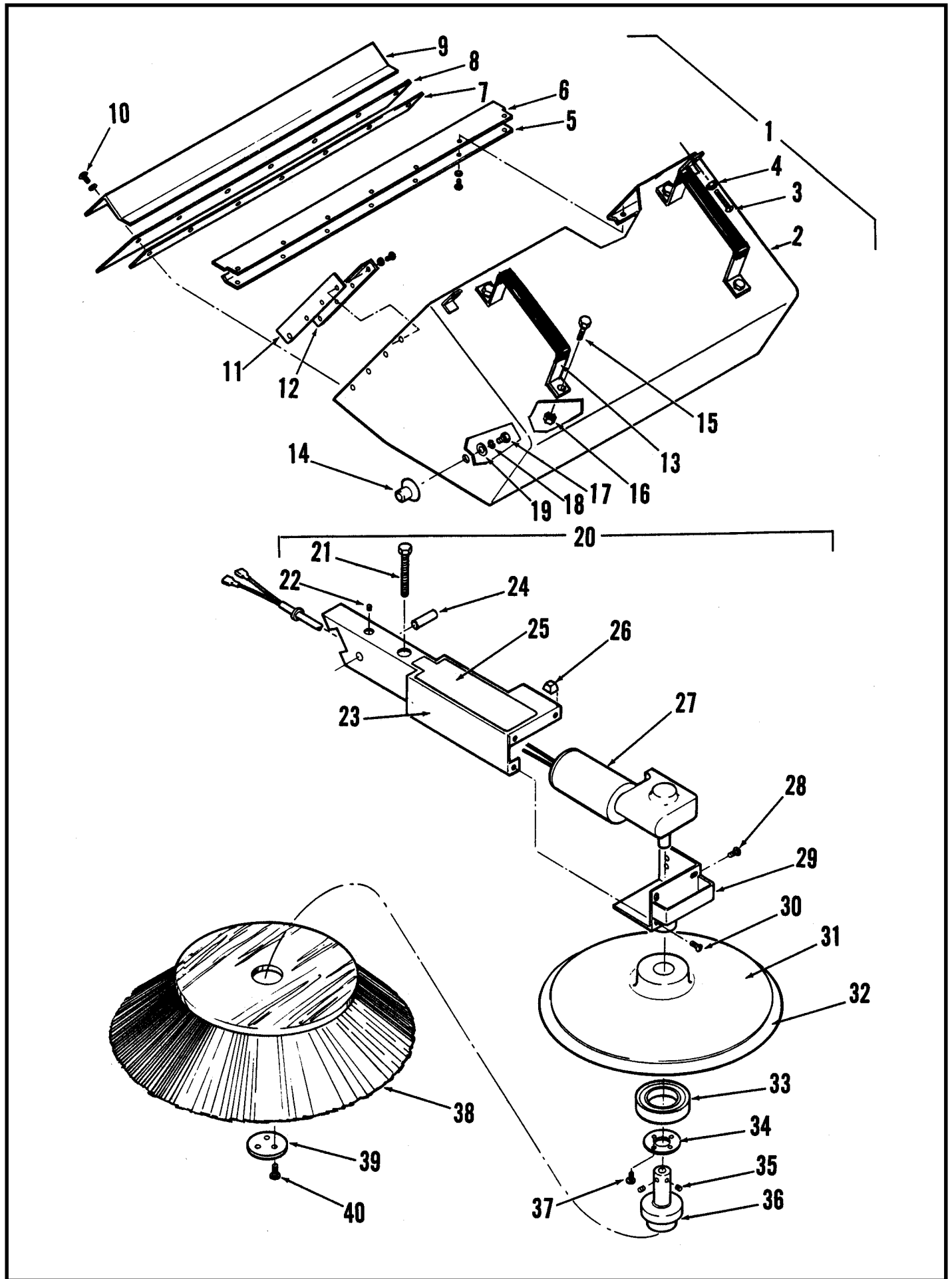
# MAIN BROOM

Item	Part No.	Qty	Description	Item	Part No.	Qty	Description
1	475024	1	Main Broom	45	030080	1	Decal, Caution
2	468197	1	Lug Assembly	46		4	Whiz Nut 5/16-18
3		1	Hex Nut 3/4-10	47		2	Set Screw 5/16-18 x 1/4
4		1	Washer 3/4	48	756061	1	Sheave
5	479430	2	Ball Bearing	49	469390	1	Idler Assembly
6	470642	1	Drive Lug Pulley	50		1	Flat Washer 3/8
7	470730	1	Spacer	51	321427	1	Retaining Ring
8	468200	1	Shaft	52		8	Screw 3/8-16 x 1 1/4
9	470630	1	Belt	53		1	Hex Nut 5/16-18
10		1	Screw 1/4-20 x 1-1/2	54		1	Screw 5/16-18 x 2
11		8	Whiz Nut 1/4-20	55	469336	1	Clamp
12		14	Flat Washer 1/4	56	469242	2	Flanged Bearing
13	472157	1	Bar	57		8	Whiz Nut 3/8-16
14	206784	3	Bushing	58	468089	1	Impeller Shaft
15		3	Shakeproof Washer 1/4	59	468098	1	Belt <b>TSB 458 - G12</b>
16		3	Screw 1/4-20 x 5/8	60	469393	1	Spacer
17	468244	1	Bar	61	469347	1	Impeller
18		4	Screw 5/16-18 x 1	62	152781	3	Washer
19		4	Lock Washer 5/16	63		2	Screw 1/4-20 x 1/2
20	469060	1	Shaft	64		2	Screw 1/4-20 x 1/2
21	101737	1	Grease Fitting	65	468083	1	Shroud Support
22	441406	2	Oilite Bearing	66	468081	2	Shroud Support
23	367095	2	Collar	67	469346	1	Impeller Shroud
24		8	Set Screw 5/16-18 x 1/4	68	352829	1	Hose Clamp
25		3	Spring Pin 3/16 x 1-1/4	69	469340	1	Hose
26	472189	1	Bar	70	481623	1	Sheave <b>TSB 458 - G12</b>
27	470672	2	Spring				
28	101761	1	Grease Fitting				
29	469057	1	Arm				
30	469050	1	Idler Lug Assembly				
31		1	Hex Nut 3/4-10				
32		1	Flat Washer 3/4				
33	479430	2	Ball Bearing				
34	470728	1	Bushing				
35	470636	1	Idler Lug				
36	469056	1	Shaft				
37	469052	1	Plate				
38	469054	2	Spring Pin				
39		3	Screw 5/16-18 x 3/4				
40		4	Flat Washer 5/16				
41		4	Set Screw 1/4-20 x 1/2				
42	468093	1	Sheave				
43	469504	1	Motor				
	342021	1	Motor Brush (Set)				
44	740168	4	Square Key 3/16 x 1				



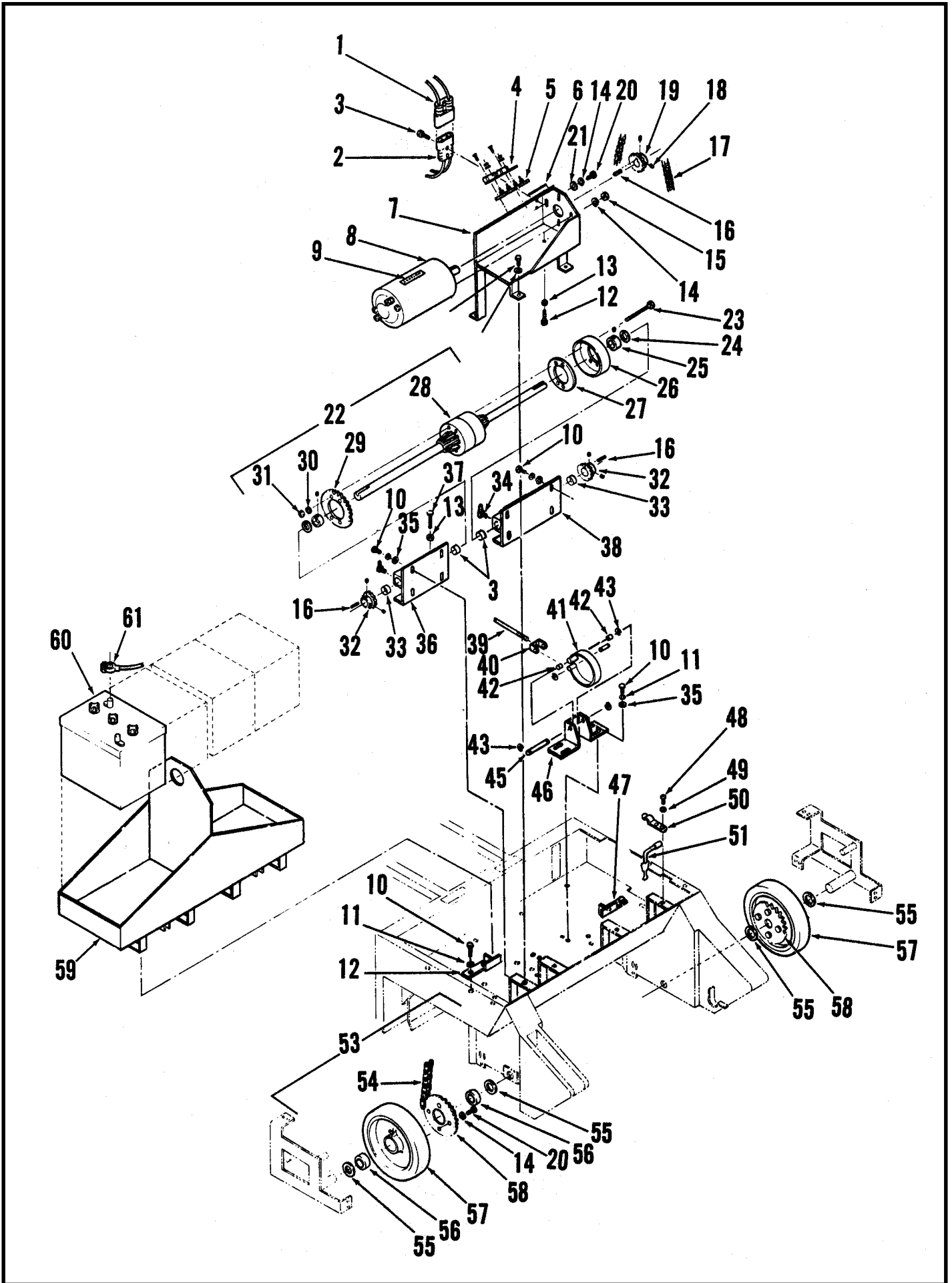
# CONTROL HANDLE

Item	Part No.	Qty	Description	Item	Part No.	Qty	Description
1	468178	1	Control Handle Assembly	47	363685	2	Rod End
2		6	Screw 10-24 x 3/8	48		8	Lock Washer 5/16
3	449340	6	Finishing Washer	49		2	Hex Nut 5/16-24
4		1	Face Nut 3/4-20	50		2	Cotter Pin 1/16 x 1
5	467410	1	Indicator Light	51		2	Flat Washer 1/4
6		1	Face Nut 5/8-32	52	471523	2	Rod
7	468327	1	Control Panel	53	471193	2	Grip
8	025123	1	Control Panel Decal	54	469042	1	Brake Cable
9		1	Hex Nut 5/8-32	55		2	Screw 5/16-18 x 1/2
10	468175	1	Push Button Switch	56		4	Hex Nut 7/16-14
11		1	Hex Nut 3/4-20	57	159749	3	Idler Pulley
12	441538	1	Key Switch	58	390778	3	Cable Guide
13		6	Screw 10-24 x 1/2	59	468087	1	Guide Bracket
14		7	Shakeproof Washer #10	60	468085	1	Bracket
15		6	Screw 6-32 x 1	61		3	Whiz Nut 1/4-20
16	468213	3	Switch Plate	62		2	Screw 1/4-20 x 7/8
17	385615	3	Snap Switch	63	469644	1	Handle
18	385747	3	Nut Plate				
19	321087	2	Spring				
20	468217	1	Plate				
21		2	Screw 10-24 x 1 3/4				
22		7	Hex Nut 10-24				
23	468223	1	Collar				
24	468219	1	Collar Assembly				
25	234079	1	Screw				
26	468211	1	Handle Tube				
27	514085	2	Handle Grip				
28		5	Screw 1/4-20 x 1/2				
29		5	Lock Washer 1/4				
30	496646	1	Back Panel				
31	153648	1	Button Plug				
32		4	Screw 1/4-20 X 1/2				
33		1	Hex Nut 3/8-24				
34		1	Lock Washer 3/8				
35	023316	1	Decal, On-Off				
36	025090	1	Decal, Wet Sweep				
37	469034	1	Control Cable				
38	754092	1	Toggle Switch				
39	152617	2	Cable Clamp				
40		2	Flat Washer #10				
41		2	Lock Washer #10				
42		2	Hex Nut 10-24				
43	350079	2	Linkage Rod				
44	206814	2	Turnbuckle				
45		3	Hex Nut 1/4-20				
46	472191	1	Broom Cable				



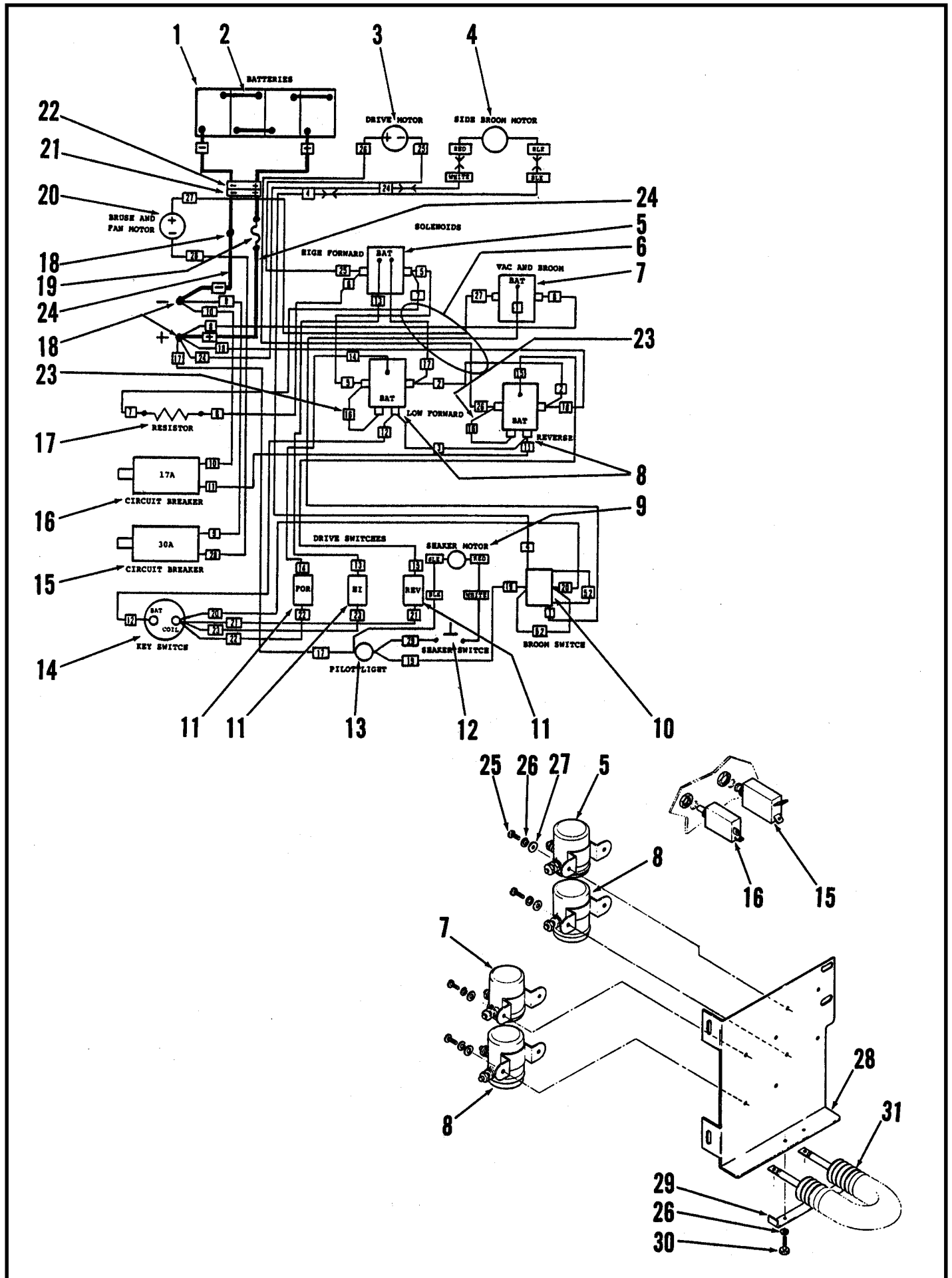
## HOPPER AND SIDE BROOM

Item	Part No.	Qty	Description
1	468181	1	Hopper Assembly
2	468182	1	Hopper
3		2	Screw 5/16-18 x 2
4		2	Nut 5/16-18
5	472114	1	Strap
6	468672	1	Blade
7	468688	1	Back-Up Plate
8	468677	1	Blade
9	468679	1	Bracket
10		22	Screw 10-24 x 1/2
11	468680	2	Gasket
12	468681	2	Strap
13	468280	2	Handle
14	472110	2	Stud
15		4	Screw 1/4-20 x 1/2
16		4	Whiz Nut 1/4-20
17		2	Screw 3/8-16 x 1/2
18		2	Lock Washer 3/8
19		2	Flat Washer 3/8
20	469622	1	Brush Arm Assembly
21	470800	1	Adjusting Screw
22		2	Screw 1/4-20 x 3/8
23	469624	1	Brush Arm
24	470812	1	Pin
25	025050	1	Decal, Side Broom
26	382566	1	Bumper
27	469530	1	Motor Assembly
28		4	Screw 1/4-20 x 3/8
29	469626	1	Mounting Bracket
30		3	Screw 10-24 x 5/8
31	469628	1	Side Broom Guide
32	470648	1	Bumper
33	470656	1	Ball Bearing
34	470773	1	Washer
35		2	Set Screw 1/4-20 x 1/4
36	470796	1	Brush Adapter
37		4	Screw 8-32 x 1/2
38	473936	1	Side Broom
39	473871	1	Washer
40		3	Screw 1/4-20 x 1



## WHEEL DRIVE

Item	Part No.	Qty	Description	Item	Part No.	Qty	Description
1	468179	1	Connector Assembly	46	468159	1	Brake Anchor
2	469868	1	Connector Assembly	47	468173	1	Battery Stop Left
3		4	Screw 1/4-20 x 1	48		1	Screw 10-24 x 3/8
4	448733	2	Fuse 70 Amp	49		1	Lock Washer #10
5	448741	1	Fuse Block	50	477620	1	Tool Clamp
6	054192	1	Decal Charger	51	471362	1	Tool
7	468166	1	Motor Mount	52	468174	1	Battery Stop Right
8	471140	1	Motor	53	470577	2	Wheel Assembly
9	030080	1	Decal, Caution	54	468830	2	Chain
10		15	Screw 1/4-20 x 1/2	55	367192	4	Washer
11		15	Lock Washer 1/4	56	362352	4	Bearing
12		1	Screw 1/4-20 x 1 1/4	57	470575	2	Wheel
13		3	Hex Nut 1/4-20	58	470576	2	Sprocket
14		12	Lock Washer 5/16	59	468225	1	Battery Box
15		2	Hex Nut 5/16-18	60	372370	4	Battery 6 Volt
16	443719	3	Key	61	363928	3	Battery Cable
17	467414	1	Chain	62	372673	8	Battery Post Boot (not shown)
18		8	Set Screw 1/4-20 x 3/8				
19	470790	1	Sprocket				
20		10	Screw 5/16-18 x 3/4				
21		10	Flat Washer 5/16				
22	468029	1	Differential Assembly				
23	468033	4	Bolt				
24	367184	2	Thrust Washer				
25	367095	2	Collar				
26	469026	1	Brake Drum				
27	468031	1	Brake Spacer				
28	469028	1	Differential				
29	467368	1	Sprocket				
30		4	Lock Washer 5/16				
31	468027	4	Nut				
32	471157	2	Sprocket				
33	441406	1	Sleeve Bearing				
34	101753	4	Grease Fitting				
35		11	Flat Washer 1/4				
36	468041	1	Differential Support Right				
37		2	Screw 1/4-20 x 1-1/2				
38	468047	1	Differential Support Left				
39	469042	1	Brake Cable Assembly				
40	402971	1	Bracket				
41	402745	1	Brake Strap Assembly				
42	468163	2	Brake Bushing				
43	321427	4	Retaining Ring				
44	104760	1	Pin				
45	468161	1	Pin				



## WIRING DIAGRAM

Item	Part No.	Qty	Description
1	372730	4	Battery
2	363928	3	Battery Cable
3	471140	1	Drive Motor
*	342021	1	Carbon Brush/Set (for 471140)
4	469530	1	Side Broom Motor
*	471129	1	Carbon Brush/Set (for 469530)
5	468358	1	Solenoid
6	469532	1	Wiring Harness
7	371394	1	Solenoid
8	470750	2	Solenoid
9	468176	1	Shaker Motor
10	754092	1	Toggle Switch
11	385615	3	Snap Switch
12	468175	1	Shaker Motor Switch
13	467410	1	Indicator Light
14	441538	1	Key Switch
15	454423	1	Circuit Breaker 30 Amp
16	171535	1	Circuit Breaker 17 Amp
17	470752	1	Resistor
18	469858	3	Stand-Off Insulator
19	448733	1	Fuse 70 Amp
20	469504	1	Broom/Impeller Motor
*	342021	1	Carbon Brush/Set (for 469504)
21	469868	1	Connector Assembly
22	468179	1	Connector Assembly
23	467446	2	Wire Assembly
24	469538	2	Cable Assembly
25		8	Screw 1/4-20 x 3/8
26		10	Lock Washer 1/4
27		10	Flat Washer 1/4
28	468184	1	Electrical Panel
29	470754	1	Strap
30		2	Screw 1/4-20 x 7/8
31	470752	1	Resistor

\* = Not Shown



Nilfisk-Advance, Inc.  
14600 21st Avenue North  
Plymouth, MN, 55447-3408  
[www.nilfisk-advance.com](http://www.nilfisk-advance.com)  
Phone: 800-989-2235  
Fax: 800-989-6566  
©2000 Nilfisk-Advance, Inc.,  
Plymouth, MN 55447-3408  
Printed in the U.S.A.