



## Electronic Service Manuals

This electronic document is provided as a service to our customers. We do not create the contents of the information contained in this document. Should you have detailed questions pertaining to the information contained in this document, you may contact Michco, or the manufacturer which provided the original information in this electronic deliverable. Michco's only part in this electronic deliverable was the electronic assembly process.

You may contact Michco through the following methods:  
Phone (517) 484-9312 or (800) 331-3339 MI, OH, IN only  
2011 N. High St. -- Lansing, Michigan -- 48906  
Fax: (517) 484-9836  
Email: [CustServ@Michco.com](mailto:CustServ@Michco.com)  
Web site: [www.Michco.Com](http://www.Michco.Com)  
Parts Web site: [www.FloorMachineParts.Com](http://www.FloorMachineParts.Com)

Order Parts on Line at:  
**[www.FloorMachineParts.Com](http://www.FloorMachineParts.Com)**

Directly to Parts & Service:  
By Email: **[Shop@Michco.com](mailto:Shop@Michco.com)**  
By Fax: (517) 702-2041  
By Voice: Use numbers above.

**Serving the Cleaning Industry Since 1922**

Notice: All copyrighted material remains property of original owners, all trademarks are property of respective owners. Manuals are subject to Manufacturer's reproduction limitations. Originals or reproductions were provided by manufacturers through a request. We make no warranty as to the correctness of information provided in this document and you assume all risk.

# Retriever™ 134B

---



## **PARTS LIST**

**Advance MODEL 56467800(OBSOLETE)**

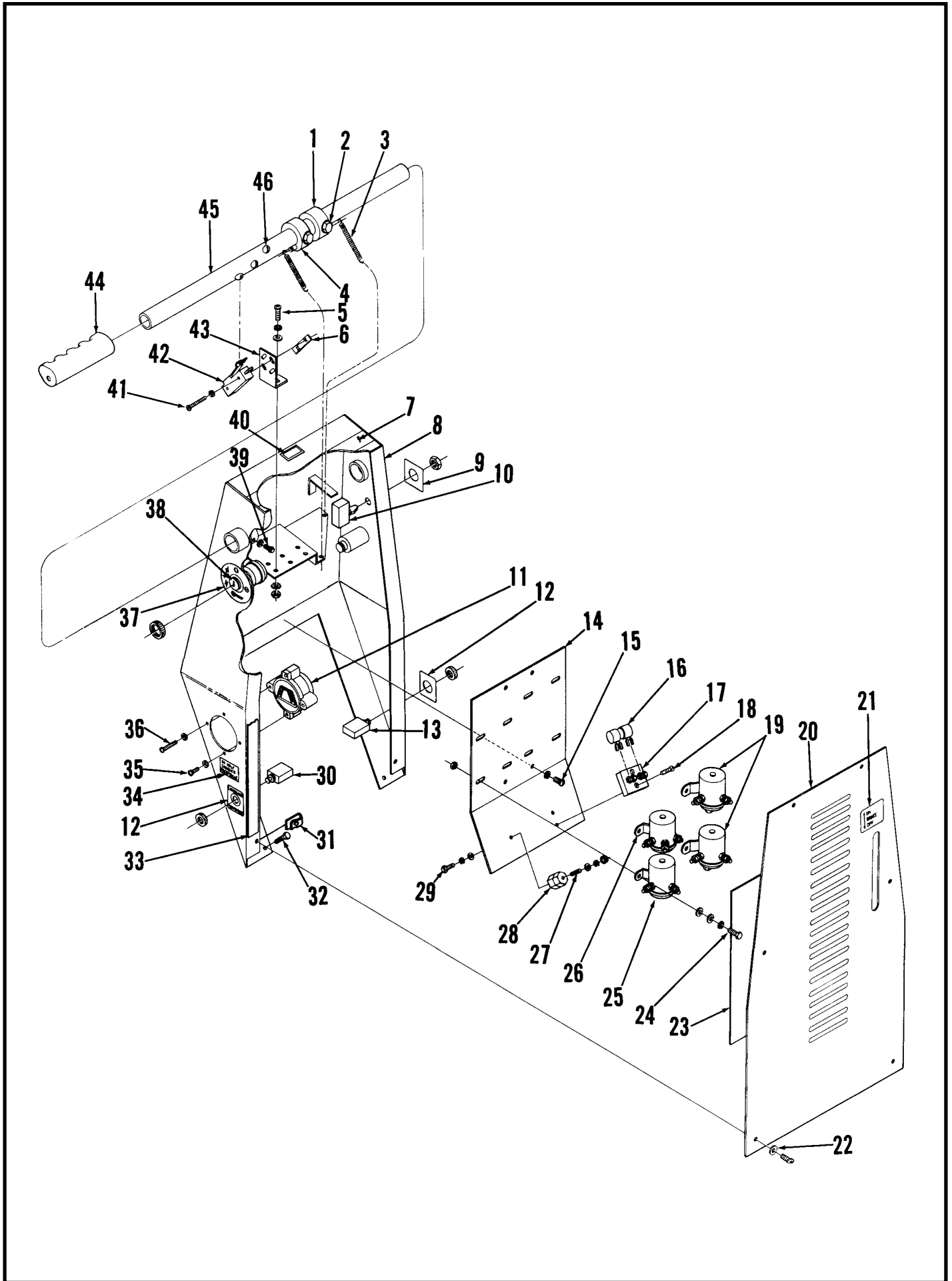
**This parts list is for machines after serial number 342115**



**Nilfisk  
Advance**

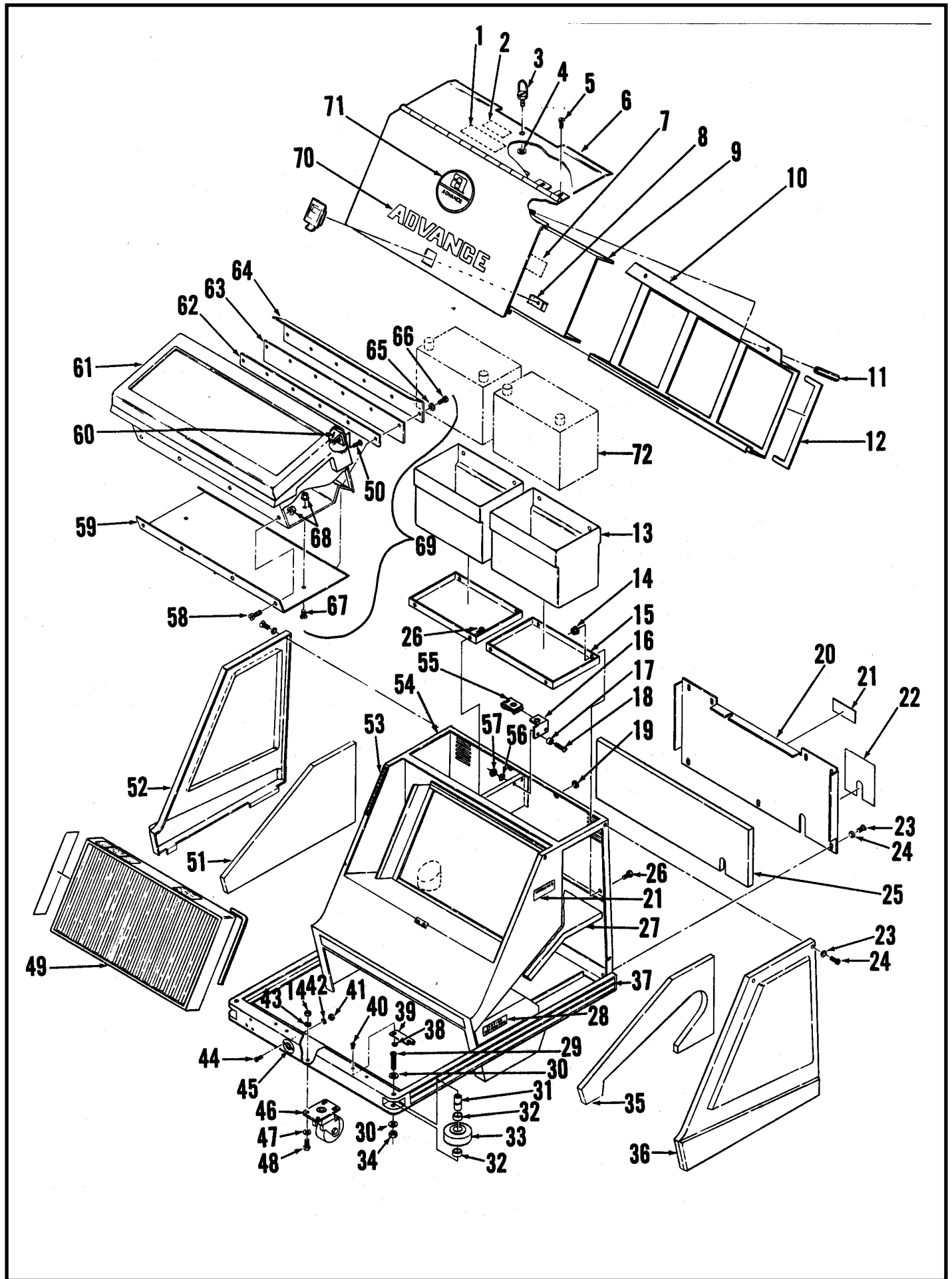
*setting standards*

10/89 revised 5/01 FORM NO. 56042202



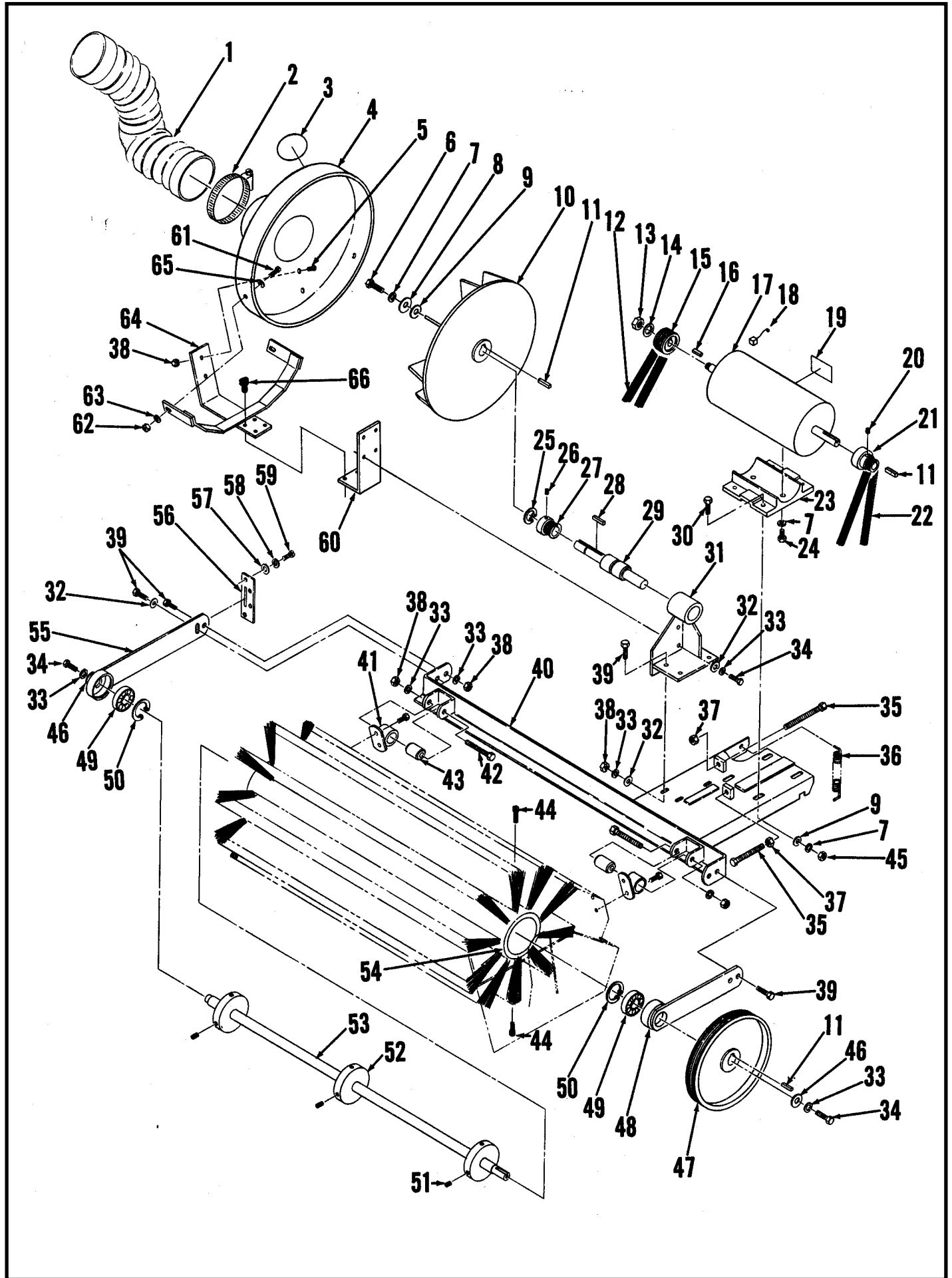
# HANDLE ASSEMBLY

Item	Part No.	Qty	Description	Item	Part No.	Qty	Description
	56467801	1	Handle Assembly	26	56468358	1	Solenoid Switch
1	56467582	1	Reverse Ring Assembly	27	56150274	1	Stud
2	56467586	2	Screw	28	56469858	1	Insulated Stand-Off
3	56328790	2	Spring <b>TSB 644 G-9</b>	29		1	1/4-20 x 3/8 Bolt
4	56467584	1	Forward Ring Assembly	30	56454538	1	Circuit Breaker 15A
5		6	#8-32 x 3/8 Screw	31	56328855	4	Spring Nut
6	56376015	3	Nut Plate	32		4	1/4-20 x 1/2 Screw
7	56014350	1	Decal, Control Panel	33	56320099	6	Gasket
8	56467808	1	Handle	34	56054192	1	Decal, Charger
9	56023316	1	Decal, On-Off	35		2	8-32 x 5/8 Screw
10	56754092	1	Switch	36		2	8-32 x 1-1/2 Screw
11	56386119	1	Charger Receptacle (old style)	37	56023330	1	Decal, Main Switch
*	56324306		Replacement Contacts (new style)	38	56441538	1	Key Switch
*	56324305	1	Charger Receptacle Housing (new style)		56441539	1	Key for 441538 (Not Shown)
12	56015020	1	Decal, Reset	39	56234079	1	Screw
13	56387316	1	Circuit Breaker 10A	40	56467410	1	Indicator Light
14	56467807	1	Solenoid Plate	41		6	6-32 x 7/8 Screw
15		4	1/4-20 x 3/8 Screw	42	56385615	3	Switch
16	56448739	1	Fuse 40A	43	56467380	3	Plate
17	56448741	1	Fuse Clamp Block	44	56514085	2	Grip
18		2	#10-32 x 3/4 Screw	45	56467599	1	Tube <b>TSB 644 G-9</b>
19	56470750	2	Solenoid	46		3	1/4-20 x 1/4 Screw
20	56467813	1	Rear Panel				* = Not Shown
21	56024984	1	Decal, Brake				
22	56449340	6	Finishing Washer				
23	56023328	1	Decal, Wiring				
24		8	1/4-20 x 5/8 Screw				
25	56371394	1	Solenoid				



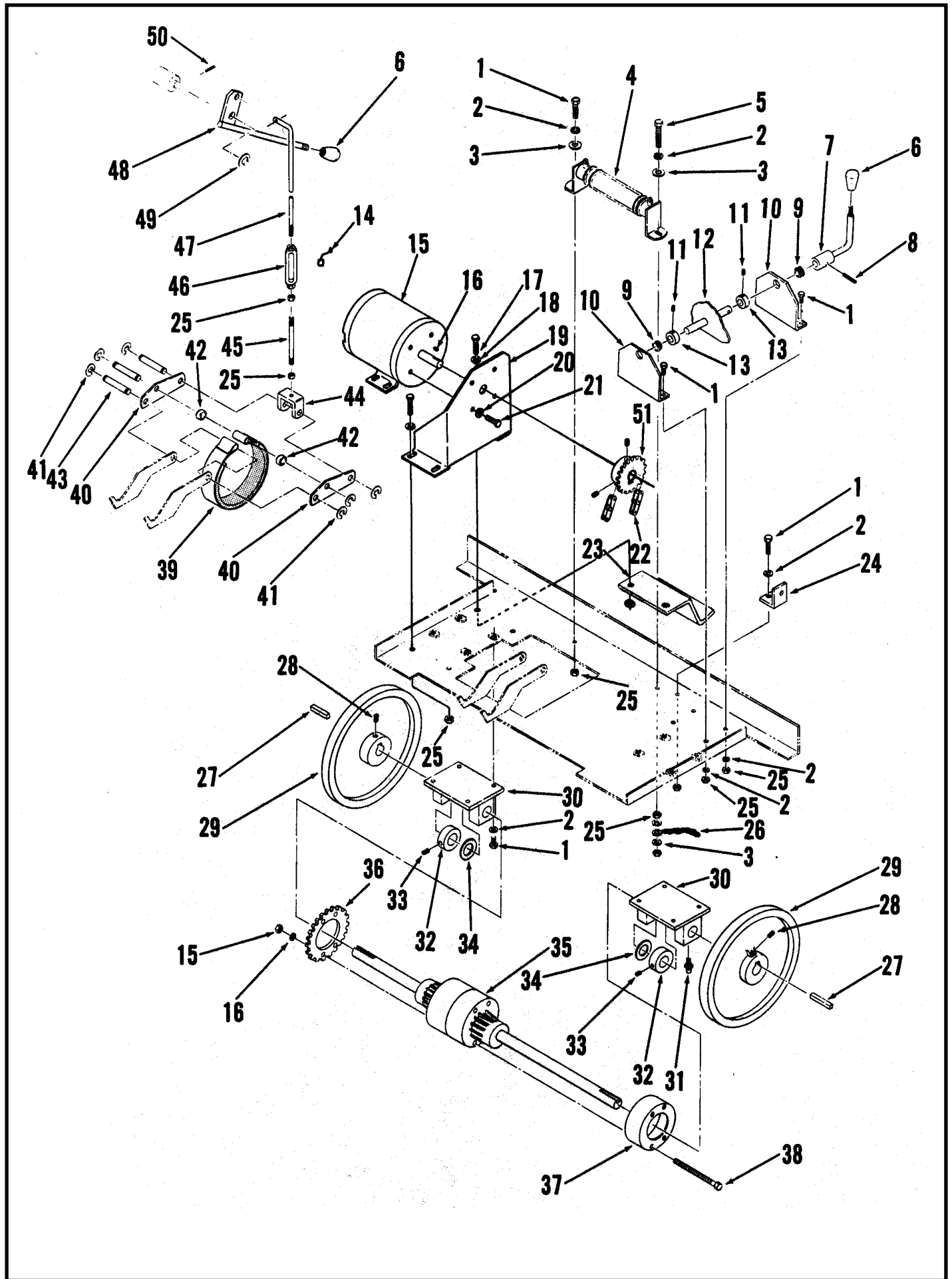
## CHASSIS, HOUSING AND HOPPER

Item	Part No.	Qty	Description	Item	Part No.	Qty	Description
1	56023312	1	Decal, Warning	46	56206725	1	Caster
2	56016116	1	Decal, Caution	47		4	Washer
3	56448104	1	Screw	48		4	1/4-20 x 3/4 Screw
4	56448108	1	Retaining Washer	49	56467147	1	Filter Assembly
5		6	#10-24 x 1/2 Screw		56467388	1	Filter
6	56467802	1	Door		56467138	6'	Gasket
7	56023332	1	Decal, Spacer		56023334	1	Decal, Up
8	56761160	1	Latch		56023326	1	Decal, Shake
9	56467809	1	Spacer		56023320	1	Decal, Filter
10	56467803	1	Bracket	50		5	#8-32 x 3/8 Screw
11	56467136	2	Nut	51	56467197	1	Foam
12	56467138	6'	Gasket	52	56467811	1	Right Shroud
13	56467084	2	Battery Case	53	56385448	85"	Gasket
14		12	1/4-20 Nut	54	56467804	1	Frame
15	56467156	2	Battery Housing	55	56468960	1	Screw Receptacle
16	56467596	1	Bracket	56		2	Shakeproof Washer
17	56200689	2	Bushing	57		2	#8-32 Nut
18		2	#8-32 x 5/8 Screw	58		4	#10-24 x 1/2 Screw
19	56157374	4	Grommet	59	56467818	1	Wear Plate
20	56467810	1	Rear Panel	60	56467822	1	Angle
21	56023318	3	Decal, Warning	61	56467815	1	Hopper
22	56023302	1	Decal, Brush Height	62	56467816	1	Plate
23		11	#10-24 x 3/8 Screw	63	56467208	1	Skirt
24	56449340	11	Finishing Washer	64	56467817	1	Angle
25	56467193	1	Foam	65		6	Lock Washer #8
26		8	1/4-20 x 1/2 Screw	66		6	#8-32 x 3/4 Screw
27	56467189	1	Left Foam	67		2	#10-24 x 1/2 Screw
	56467191	1	Right Foam (Not Shown)	68		6	#10-24 Nut
28	56030080	1	Decal, Hands Clear	69	56467814	1	Hopper Assembly
29		2	1/4-20 x 2-5/8 Screw	70	56014105	1	Decal, Advance
30	56203874	4	Washer	71	56014349	1	Decal, Logo
31	56109038	4	Bearing	72	56206962	2	Battery, 12V *
32	56109039	4	Bushing	*	56206975	1	Charger 24V, Semi-Automatic
33	56465026	2	Wheel	*	56206980	1	Charger 24V, Automatic
34		2	1/4-20 Nut				
35	56467195	1	Foam				* = Not Included
36	56467812	1	Left Shroud				
37	56014348	2	Decal, Stripe				
38		4	#10-24 Nut				
39	56467258	2	Plate				
40		4	#10-24 x 1/2 Screw				
41		2	#6-32 Nut				
42		2	#6 Lock Washer				
43		2	Lock Washer				
44		2	#6-32 x 3/8 Screw				
45	56754090	1	Receptacle				



## MAIN BROOM & IMPELLER DRIVE

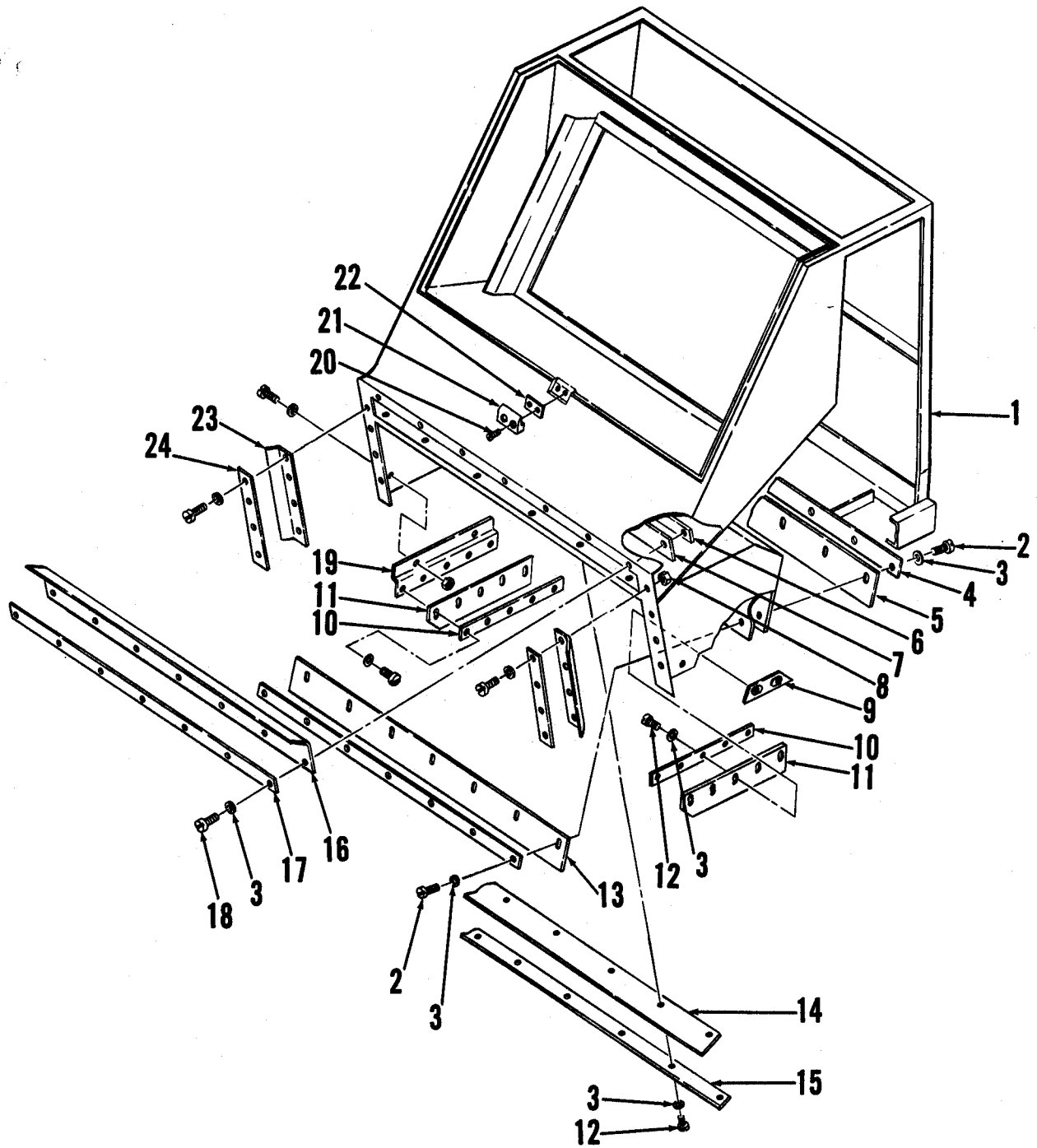
Item	Part No.	Qty	Description	Item	Part No.	Qty	Description
1	56469370	1	Flex Hose	43	56467310	2	Rubber Mount
2	56352829	2	Hose Clamp	44		6	Screw, 1/4-20 x 1.00
3	56030080	1	Decal, Hands Clear	45		4	Nut, 5/16-18
4	56467820	1	Shroud	46	56151114	2	Washer
5		2	Screw, 1/4-20 x 3/4	47	56467204	1	Sheave
6		1	Screw, 5/16-18 x 3/4	48	56467194	1	Left Brush Arm
7		7	Lock Washer 5/16	49	56372773	2	Ball Bearing
8	56152781	1	Washer	50	56366544	2	Retaining Ring
9		5	Washer	51		3	Screw, Set 1/4-20 x 1/2
10	56469347	1	Impeller	52	56475462	3	Brush Mounting Disc
11	56109258	3	Square Key	53	56467182	1	Brush Shaft
12	56467264	1	Poly-V Belt	54	56505606	1	Main Broom, Poly (Standard)
13		3	3/18-16 Belt	**	56475504	1	Union Mix
14		1	Flat Washer 3/8	**	56505596	1	Main Broom, Non-Conductive
15	56467372	1	Sheave	55	56467192	1	Right Brush Arm
16	56109258	1	Square Key	56	56467350	1	Gasket
17	56467055	1	Motor	57		4	Washer
18	56386263	1	Motor Brush (Set)	58		4	Lock Washer #8
19	56023318	1	Decal, Warning	59		4	Screw, #8-32 x 3/8
20		2	Screw Set #10-24 x 1/4	60	56467297	1	Bracket
21	56467184	1	Sheave	61		2	Screw, #10-24 x 9/16
22	56467269	1	Poly-V Belt	62		2	Nut, #10-24
23	56467355	1	Motor Base	63		2	Washer
24		2	Screw 5/16-18 x 1/2	64	56467300	1	Bracket
25	56748905	1	Retaining Ring	65		2	Lock Washer
26		2	Screw, Set 5/16-18 x 1/4	66		2	Screw, 1/4-20 x 3/4
27	56467548	1	Sheave	** = Optional Accessory, not included			
28	56158135	1	Square Key				
29	56467550	1	Shaft & Bearing				
30		4	Screw, 5/16-18 x 7/8				
31	56467442	1	Bracket				
32		7	Washer				
33		12	Lock Washer				
34		4	Screw, 1/4-20 x 1/2				
35	56467542	2	Screw				
36	56467404	1	Spring				
37		3	Nut, 3/8-16				
38		3	Nut, 1/4-20				
39		6	Screw, 1/4-20 x 3/4				
40	56467178	1	Frame				
41	56467312	2	Pivot				
42		2	Screw, 1/4-20 x 2				



## WHEEL DRIVE ASSEMBLY

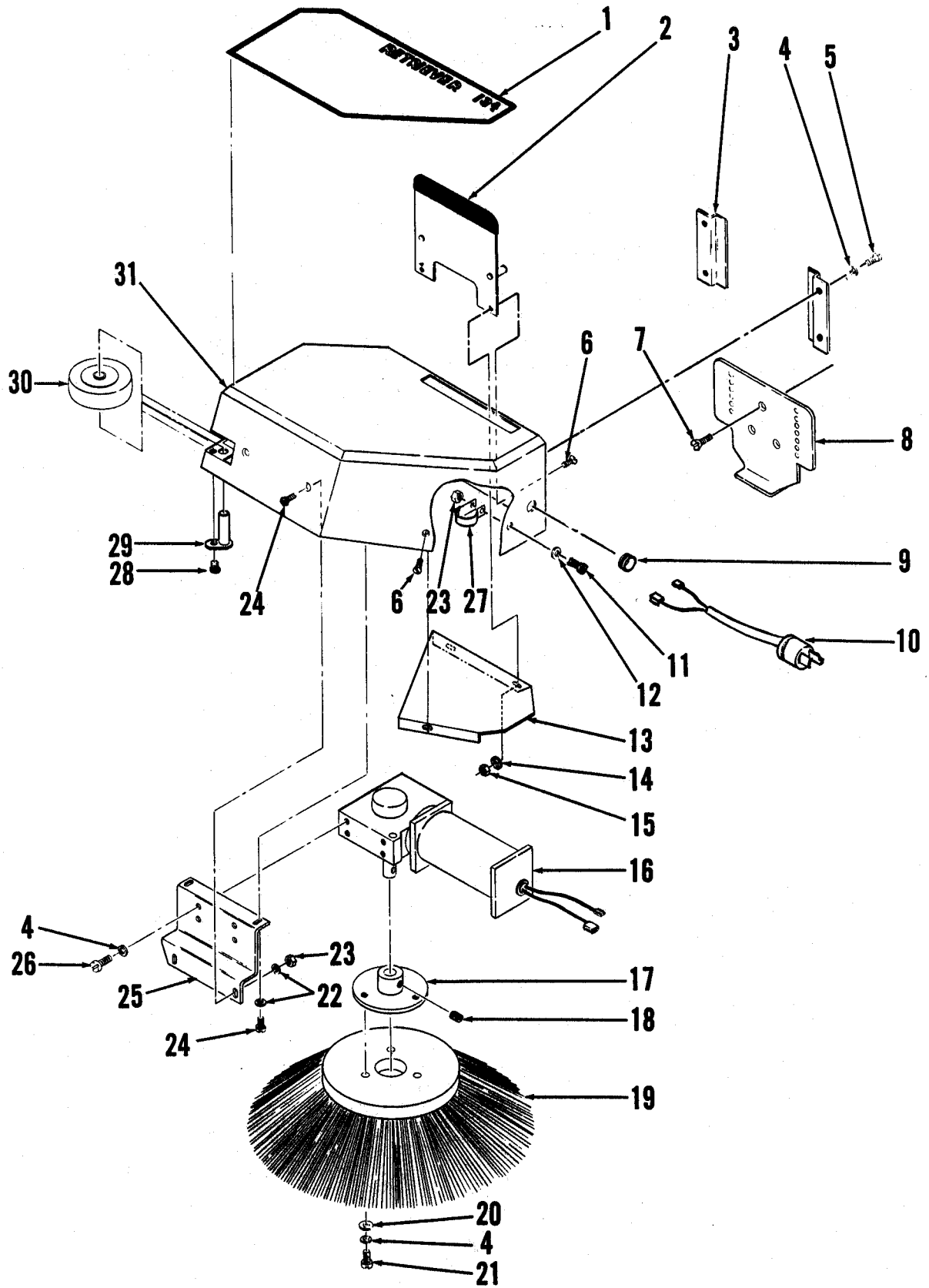
Item	Part No.	Qty	Description	Item	Part No.	Qty	Description
1		15	1/4-20 x 1/2 Screw	27	56370010	2	Square Key
2		15	1/4 Lock Washer	28		4	5/16-18 x 1/2 Set Screw
3		4	Flat Washer	29	56467382	2	Wheel
4	56467470	1	Resistor	30	56467218	2	Mounting Bracket
5		3	1/4-20 x 7/8 Screw		56441406	4	Bearing Sleeve for 467218
6	56364527	2	Knob	31	56101753	4	Lube Fitting
7	56467360	1	Handle	32	56367095	2	Collar
8		1	Pin	33		2	5/16-18 x 1/4 Set Screw
9	56329098	2	Bushing	34	56367184	2	Thrust Bearing
10	56467238	2	Bracket	35	56467230	1	Differential
11		2	#10-24 x 1/4 Set Screw	36	56467379	1	Sprocket
12	56467250	1	Cam	37	56469026	1	Brake Drum
13	56331076	2	Collar	38		4	5/16-18 x 4-1/4 Bolt
14	56503006	1	Motor Brushes (Set)	39	56402745	1	Brake Strap
15	56467149	1	Motor	40	56402990	2	Brake Arm
*	56503006	1	Carbon Brush/Set 2, for item 15	41	56321427	6	Retaining Ring
16	56467121	1	Woodruff Key	42	56328022	2	Spacer
17		2	1/4-20 x 1/2 Screw	43	56402995	3	Pin
18		4	Washer	44	56402971	1	Brake Handle Bracket
19	56467111	1	Mounting Plate	45	56481671	1	Stud
20		3	Washer	46	56206814	1	Turnbuckle
21		3	1/4-20 x 5/8 Screw	47	56467163	1	Brake Handle Rod
22	56467031	1	Chain	48	56467155	1	Brake Handle Rod
23	56467506	1	Stop Bracket	49	56468834	1	Retaining Ring
24	56467418	1	Angle	50	56001882	1	1/16" X 3/4" Cotter Pin
25		15	1/4-20 Nut	51	56470790	1	Sprocket
26	56467544	1	Chain				

\* = Not Shown



**DUST SKIRTS**

Item	Part No.	Qty	Description
1	56467804	1	Frame
2		22	Screw, #8-32 x 1/2
3		48	Lock Washer #8
4	56467334	2	Skirt Plate
5	56467317	1	Skirt
6	56467536	1	Plate
7	56467496	1	Skirt
8		8	Nut, #8-32
9	56467324	1	Nut Plate
10	56467326	2	Skirt Plate
11	56467306	2	Side Skirt
12		19	Screw, #8-32 x 3/8
13	56467319	1	Skirt
14	56467340	1	Skirt
15	56467334	1	Skirt Plate
16	56467344	1	Top Gasket
17	56467342	1	Plate
18		7	Screw, #8-32 x 1/2
19	56467821	1	Bracket
20		2	Screw, #8-32 x 1/2
21	56467038	1	Striker
22	56467167	1	Shim
23	56467333	2	Gasket
24	56467329	2	Plate



## SIDE BROOM ASSEMBLY

Item	Part No.	Qty	Description
1	56014353	1	Decal
2	56465542	1	Side Broom Latch
3	56467827	2	Guide
4		11	Lock Washer 1/4
5		4	Screw, 1/4-20 x 3/8
6		3	Screw, #8-32 x 1/2
7		5	Screw, #10-24 x 3/4
8	56467828	1	Plate
9	56321540	1	Grommet
10	56467532	1	Cord Assembly
11		1	Screw, #10-24 x 5/8
12		1	Shakeproof Washer #10
13	56467824	1	Shield Plate
14		3	Lock Washer #8
15		3	Nut, #8-32
16	56469530	1	Motor Assembly
	56471129	1	Carbon Brush Set for 469530
17	56467522	1	Brush Holder
18		1	Screw, 1/4-20 x 1/4
19	56475179	1	Broom
20		3	Flat Washer 1/4
21		3	Screw, 1/4-20 x 5/8
22		7	Lock Washer #10
23		8	Nut, #10-24
24		4	Screw, #10-24 x .625
25	56467825	1	Motor Mount
26		4	Screw, 1/4-20 x .38
27	56300152	1	Cord Clamp
28		1	Screw, #8-32 x .38
29	56465534	1	Pin
30	56363855	1	Wheel
31	56467826	1	Side Broom Housing

