



Electronic Service Manuals

This electronic document is provided as a service to our customers. We do not create the contents of the information contained in this document. Should you have detailed questions pertaining to the information contained in this document, you may contact Michco, or the manufacturer which provided the original information in this electronic deliverable. Michco's only part in this electronic deliverable was the electronic assembly process.

You may contact Michco through the following methods:
Phone (517) 484-9312 or (800) 331-3339 MI, OH, IN only
2011 N. High St. -- Lansing, Michigan -- 48906
Fax: (517) 484-9836
Email: CustServ@Michco.com
Web site: www.Michco.Com
Parts Web site: www.FloorMachineParts.Com

Order Parts on Line at:
www.FloorMachineParts.Com

Directly to Parts & Service:
By Email: **Shop@Michco.com**
By Fax: (517) 702-2041
By Voice: Use numbers above.

Serving the Cleaning Industry Since 1922

Notice: All copyrighted material remains property of original owners, all trademarks are property of respective owners. Manuals are subject to Manufacturer's reproduction limitations. Originals or reproductions were provided by manufacturers through a request. We make no warranty as to the correctness of information provided in this document and you assume all risk.

PARTS LIST

Advance

TigerCat™ 4500

Models 56462000, 56462001, 56463144,
56463408, 56463409, 56463394

Advance

Hydro-Retriever™ 4500

Models 56462000, 56462001, 56463144,
56463408, 56463409, 56463394

This parts list is for machines after serial number
434365



**Nilfisk
Advance**

setting standards

revised 6/00 Form Number 56042237

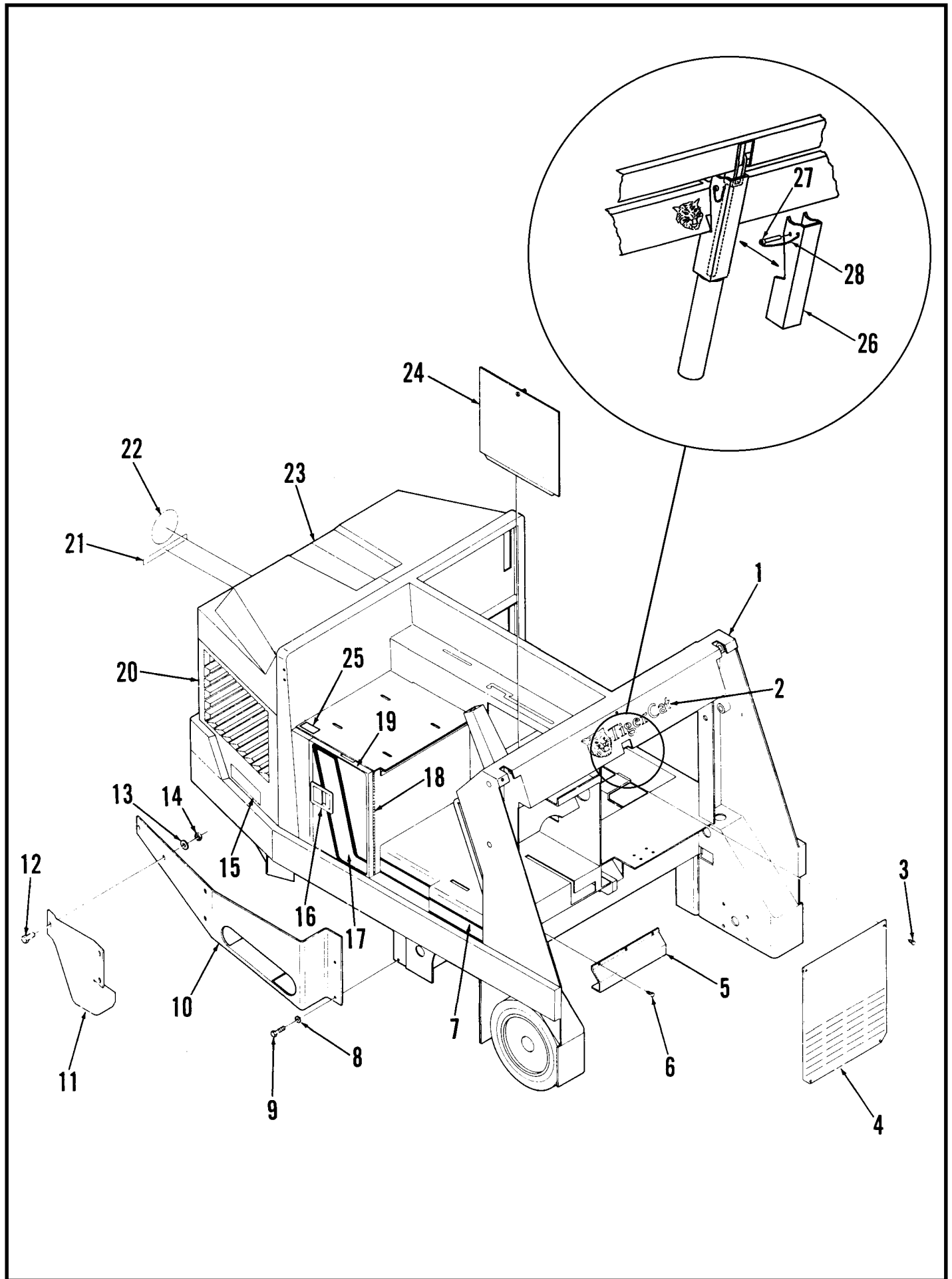
TABLE OF CONTENTS

DESCRIPTION	PAGE
Air Cleaner	51-52
Brake Pedal & Lever	11-12
Broom Housing Doors & Sklrts	39-40
Chassis	1-2
Dust Control Shut-Off	59-60
Electrical	77-81
Engine-Diesel	45-46
Engine-Gas & LP	47-48
Engine Hood Assembly	3-4
Front Wheels	17-18
Fuel Tank Assembly	19-20
Governor & Drive Pedal Linkage	55-56
Hopper Assembly	31-32
Hopper Lift Arms	33-34
Hydraulic Oil Tank	21-24
Hydraulic System	41-44
Hydro-Max Solution System	65-66
L.P. System	53-54
Main Broom	37-38
Main Broom Lever Assembly	35-36
Operator's Compartment	5-8
Radiator	49-50
Rear Wheel & Steering	15-16
Recovery Tank / Standard	67-68
Recovery Tank / Hydro-Max	69-70
Scrub Brush Drive System	71-72
Seat	9-10
Side Broom Assembly	25-30
Solution Heater	63-64
Solution System	61-62
Squeegee	73-74
Squeegee Mount & Lift	75-76
Steering Column Assembly	13-14
Vacuum Impellers	57-58

WHEN ORDERING PARTS

- * Use the 8 digit numbers from the "Part No." columns in this parts list.
- * Specify the model and serial number of the machine.
- * Use the space below to record the model and serial number for future reference.

Model _____ Serial No. _____



CHASSIS

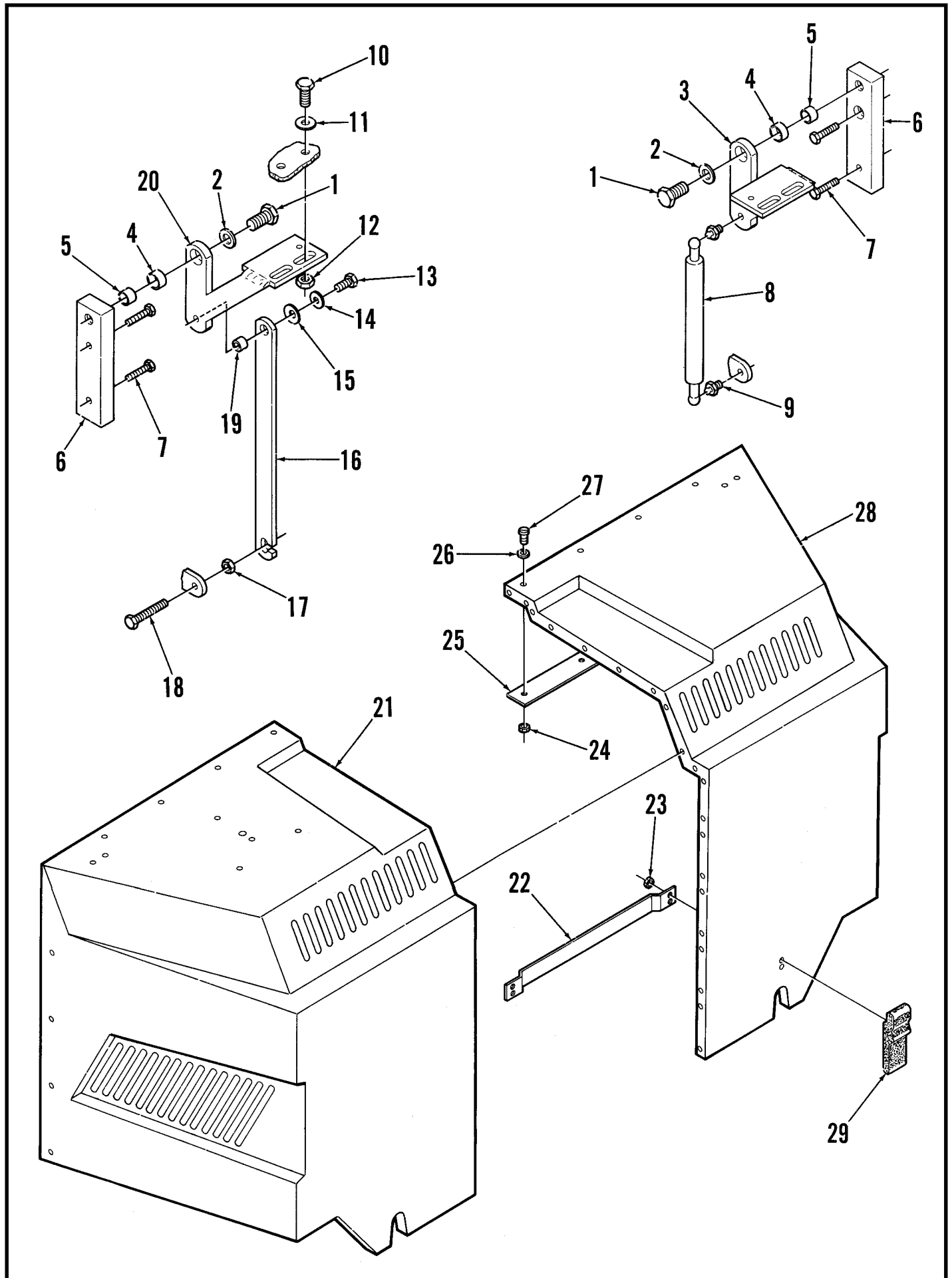
Item	Part No.	Qty	Description	Item	Part No.	Qty	Description
1	56462562	1	Frame	*	56463174	1	Grill (Diesel)
2	56015109	1	Decal, TigerCat	21	56014794	1	Decal, Advance
3		4	#10-24 x 1/2 HP-5 Screw	22	56014813	1	Decal, Logo
4	56462948	1	Access Panel	23	56462507	1	Engine Cover Assy (Propane) (See page 3) (See Note #1)
5	56462726	2	Guard		56463545	1	Engine Cover Assy (Gas) (See page 3) (See Note #1)
6		6	1/4-20 x 1/2 HP-5 Screw		56463330	1	Engine Cover Assy (Diesel) (See page 3) (See Note #1)
7	56014819	2	Decal, Stripe				
8		6	7/16 Washer				
9		6	7/16-18 x 1 Bolt				
10	56462730	1	Right Panel	24	56462725	1	Panel
*	56462729	1	Left Panel	*	56448104	1	Latch Screw (for 462725)
11	56462731	1	Right Guard	*	56491326	1	Latch Receptacle (for 448104)
*	56462733	1	Left Guard	25	56026050	1	Decal, Gasoline
12		6	1/2-13 x 1 Bolt	26	56462901	1	Hopper Safety Support
13		6	1/2 Washer	27	56100000	1	Safety Support Pin
14		6	1/2-13 Nut	28	56209603	1	Chain
15	56015110	2	Decal, TigerCat	*	56311057	2	Chain Coupler
16	56462326	1	Latch	*	56100061	2	Tail Light
17	56015513	1	Decal, Stripe	*	56481543	2	Head Light
18	56495876	1	Hinge				
19	56463017	1	Door				
20	56462516	1	Grill (G & P)				

* = Not Shown

Note #1: An engine cover seal (gasket) was added between the engine cover and firewall on all machines after SN 528801. Order engine cover seal kit PN 56463488 to update earlier machines.

56463488 Engine Cover Seal Kit

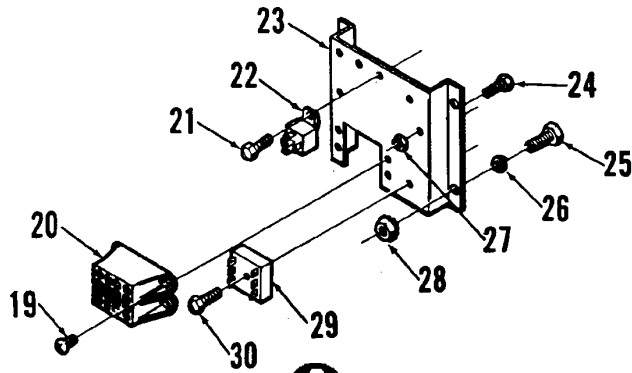
Item	Part No.	Qty	Description
	56040480	1	Instruction Sheet
A	56463480	1	Angle
B	56483549	4'	Seal (124 cm)
C	56002098	4	Washer, Flat SAE 1/4
D	56002513	4	Screw, Hex Hd HP-5 1/4-20 X 1/2



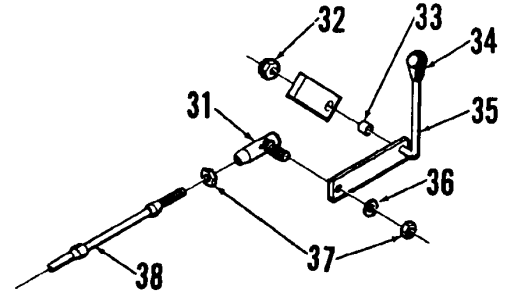
ENGINE HOOD ASSEMBLY

Item	Part No.	Qty	Description	Item	Part No.	Qty	Description
1		2	1/2-13 x 1 Bolt	56462507		1	Engine Cover Assy (Propane) (#21-29)
2		2	1/2 Flat Washer	56463545		1	Engine Cover Assy (Gas) (#21-29)
3	56462734	1	Right Hinge	56463330		1	Engine Cover Assy (Diesel) (#21-29)
4	56370878	2	Bearing	21	56463079	1	Left Cover (all models)
5	56360627	2	Bushing	22	56462745	1	Brace
6	56462744	2	Block	23		24	#10-24 Nut
7		4	1/4-20 x 1-1/4 Screw	24		14	1/4-20 Nut
8	56462742	1	Cylinder	25	56462513	1	Right Brace
9	56462929	2	Ball Stud	*	56462510	1	Left Brace
10		4	3/8-16 x 1 Bolt	26		14	1/4 Flat Washer
11		4	3/8 Flat Washer	27		14	1/4-20 x 3/4 Screw
12		4	3/8-16 Nut	28	56463078	1	Right Cover (Propane)
13		1	5/16-18 x 3/4 Bolt		56463195	1	Right Cover (Diesel)
14		1	5/16 Flat Washer		56463546	1	Right Cover (Gas)
15	56151041	1	Spring Washer	29	56462746	2	Latch
16	56463102	1	Bar	*		4	#10-24 x 1/2 Screw
17		1	5/16-18 Nut				
18		1	5/16-18 x 2 Bolt				
19	56244941	1	Bushing				
20	56462738	1	Left Hinge				

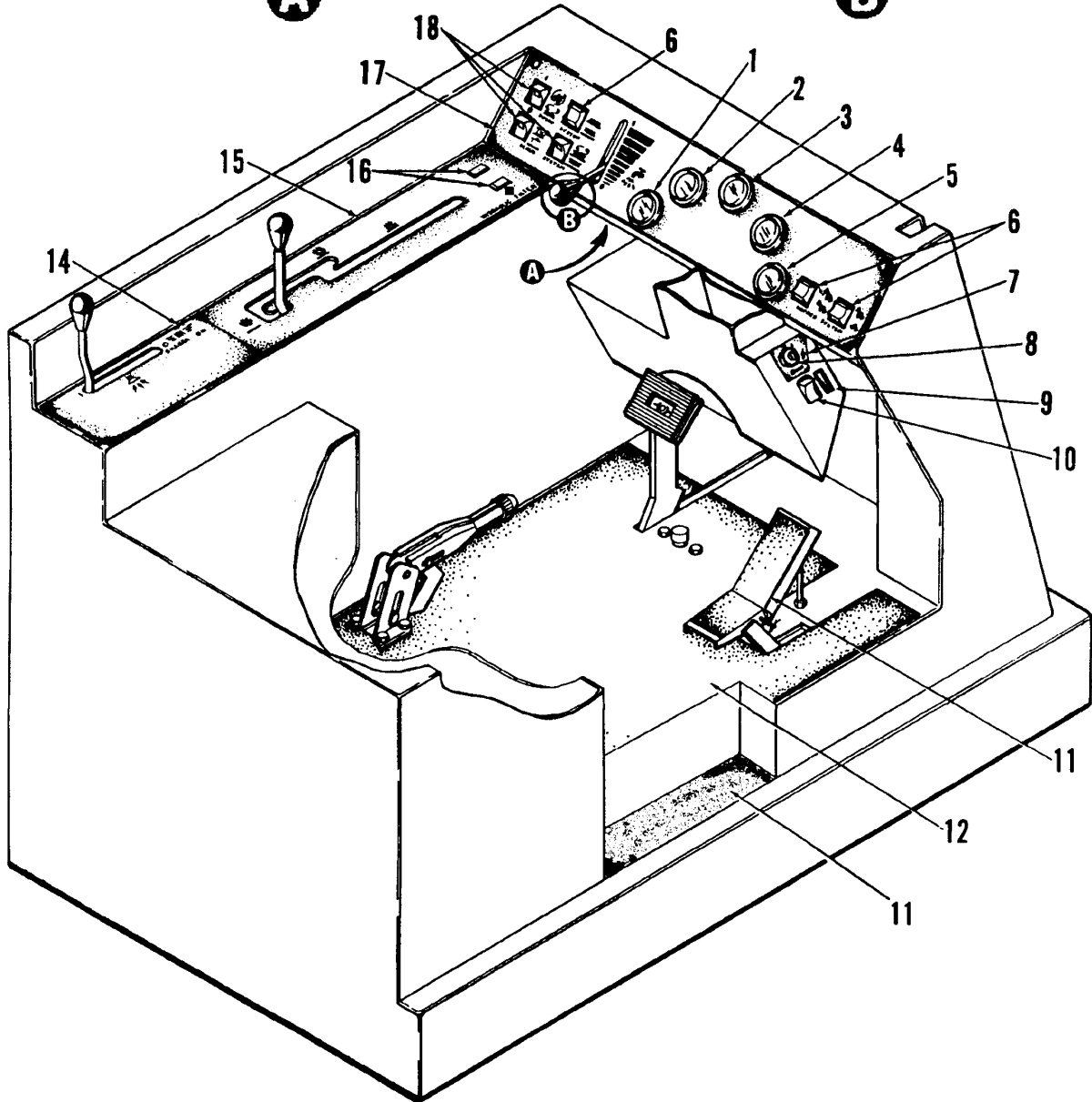
* = Not Shown



A

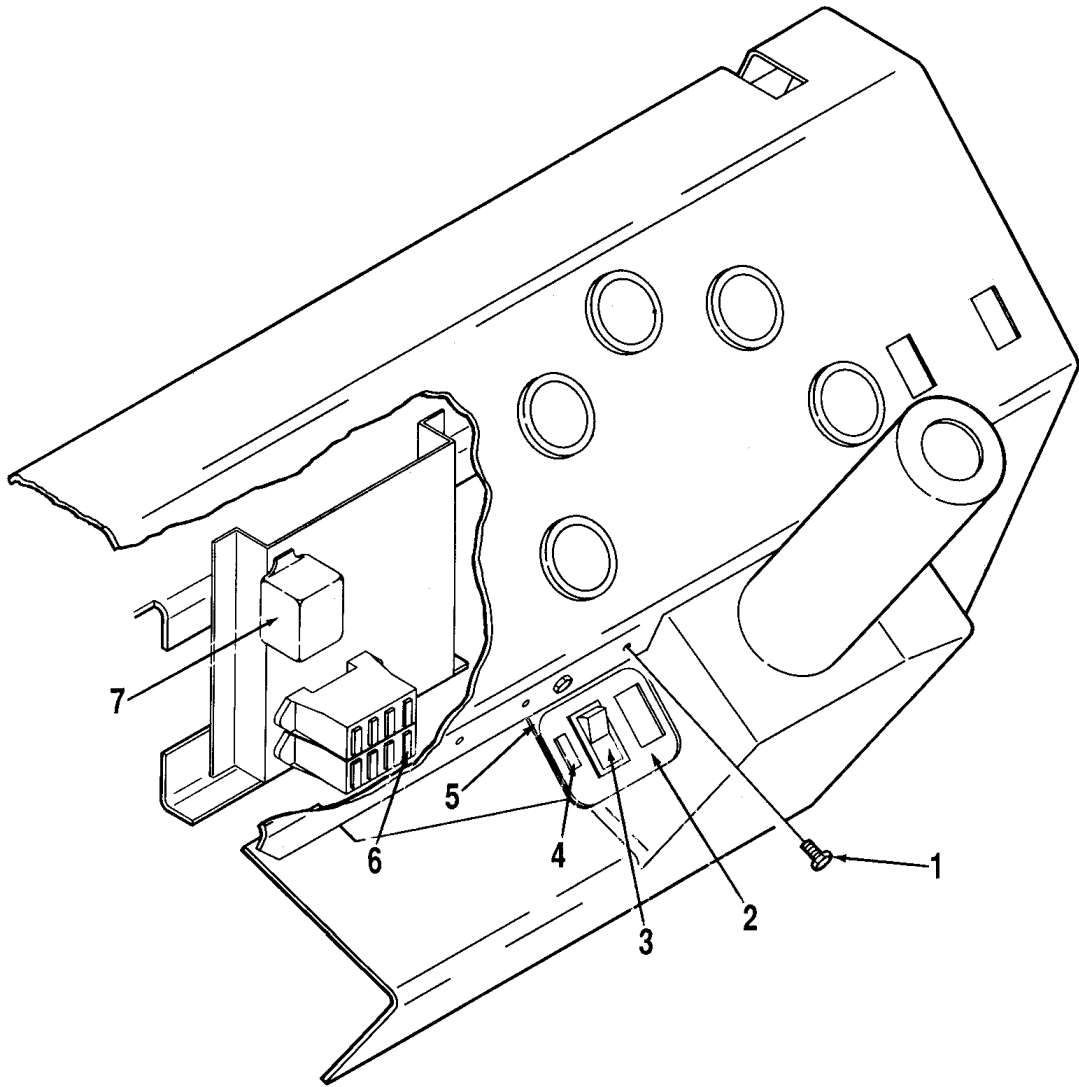


B



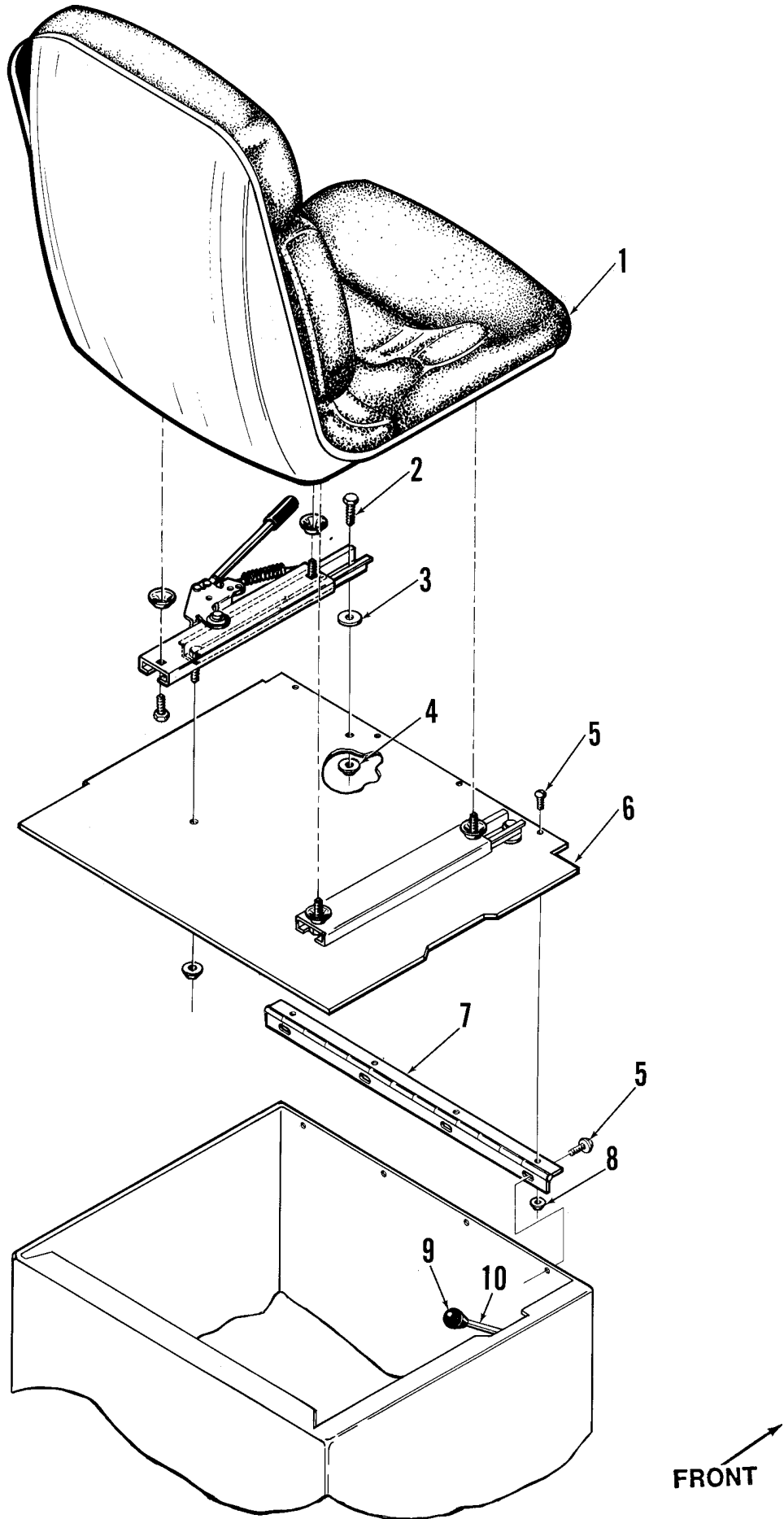
OPERATOR'S COMPARTMENT

Item	Part No.	Qty	Description
1	56489598	1	Fuel Level Gauge
2	56489592	1	Oil Pressure Gauge
3	56489600	1	Water Temperature Gauge
4	56482044	1	Battery Meter
5	56478363	1	Hour Meter
6	56492802	3	Rocker Switch TSB 661, G-2
7	56025476	1	Decal, Control Panel
8	56478640	1	Key Ignition Switch
9	56015089	1	Decal, Throttle
10	56260064	1	Throttle Control Switch
11	56449958	2	Pedal Mat
12	56462740	1	Floor Mat
13			Omitted Intentionally
14	56015079	1	Decal, Dust Control
15	56015087	1	Decal, Main Broom
16	56483117	2	Red Indicator Light
17	56015086	1	Decal, Control Panel
18	56462368	3	Lighted Rocker Switch TSB 661, G-2
19		4	#8-32 x .50 Screw
20	56900227	2	Fuse Holder
21		1	#10-24 x .50 Screw
22	56491862	1	Relay
23	56484057	1	Fuse Relay Panel
24		1	#4-40 x .50 Screw
25		4	5/16-18 x .50 Bolt
26		4	1/4 Lock Washer
27		1	#4-40 Nut
28		4	5/16-18 Lock Nut
29	56491870	1	Shaker Time Delay
30		1	#6-32 x 1 Screw
31	56488290	1	Ball Joint
32	56759058	1	Nut
33	56388326	1	Bushing
34	56492792	1	Knob
35	56462540	1	Solution Control Lever
36		1	#10 Washer
37		2	#10-32 Nut
38	56488292	1	Solution Cable



OPERATOR'S COMPARTMENT (Hydro-Max)

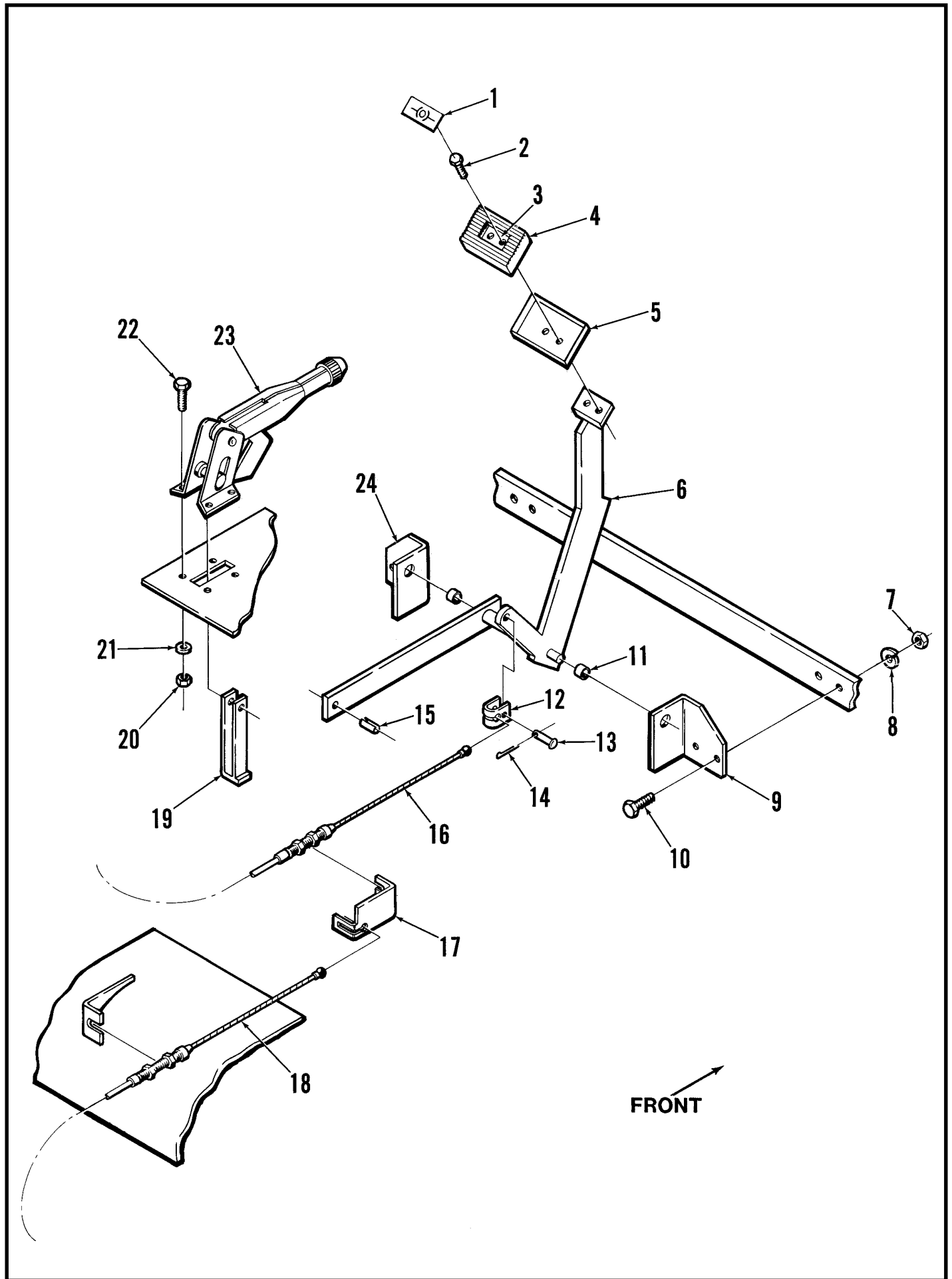
Item	Part No.	Qty	Description
1	56002683	2	#10-24 x 1/2 HP-5 Screw
2	56015611	1	Decal, Hydro-Max
3	56262551	1	Headlight Switch
4	56463267	1	Indicator Light
5	56463068	1	Switch Bracket
6	56900229	1	Fuse 10A
7	56457888	1	Relay



SEAT

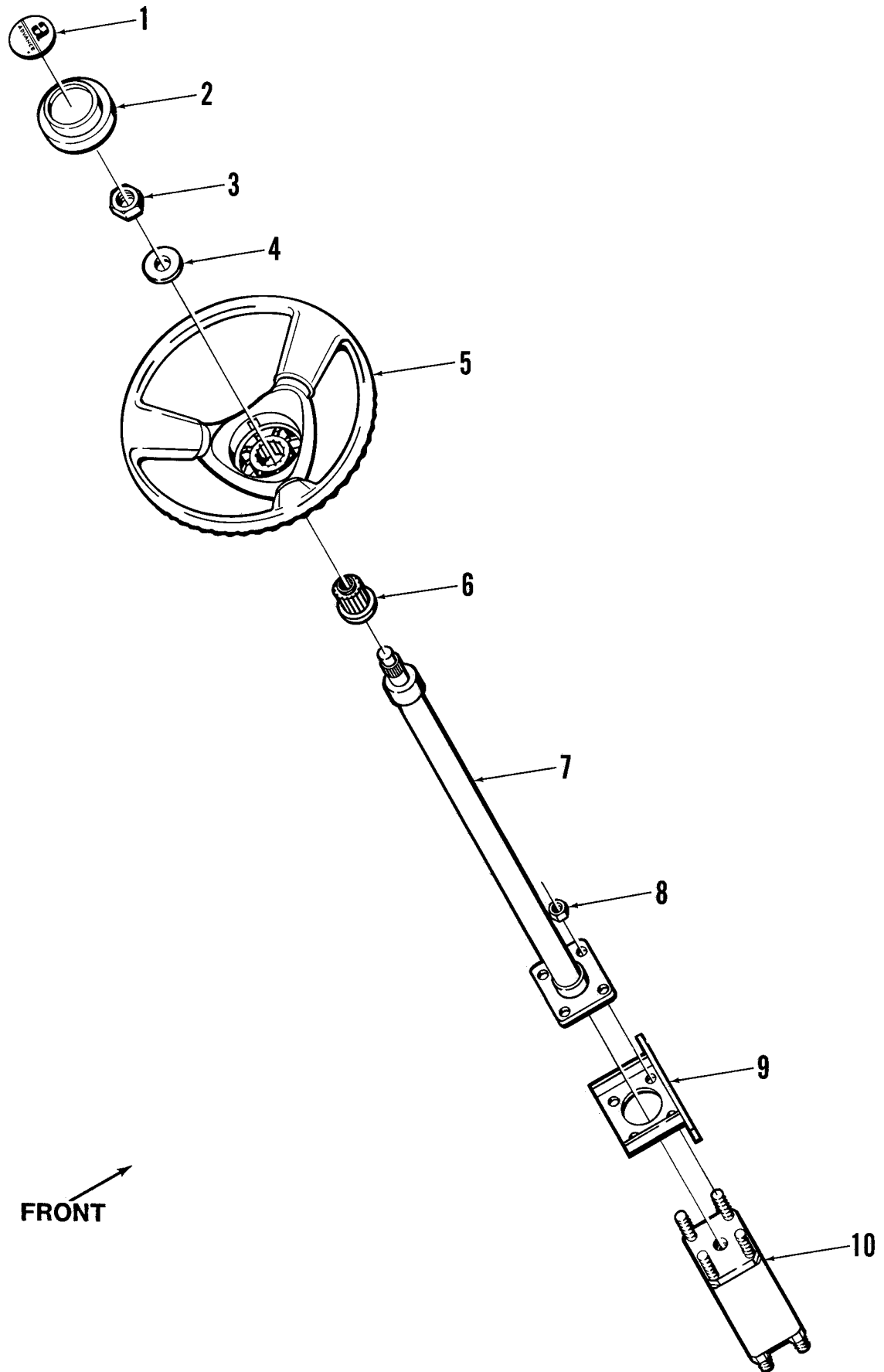
Item	Part No.	Qty	Description
1	56462749	1	Seat (slides with hardware included)
2		8	5/16-18 x 1-1/2 Bolt
3		4	5/16 Washer
4		4	5/16-18 Nut
5		8	1/4-20 x 1/2 Screw
6	56462750	1	Bracket
7	56462753	1	Hinge
8		4	1/4-20 Nut
9	56492792	1	Knob
10	56493228	1	Side Broom Speed Lever
*	56462961	1	Seat Prop Rod

* = Not Shown



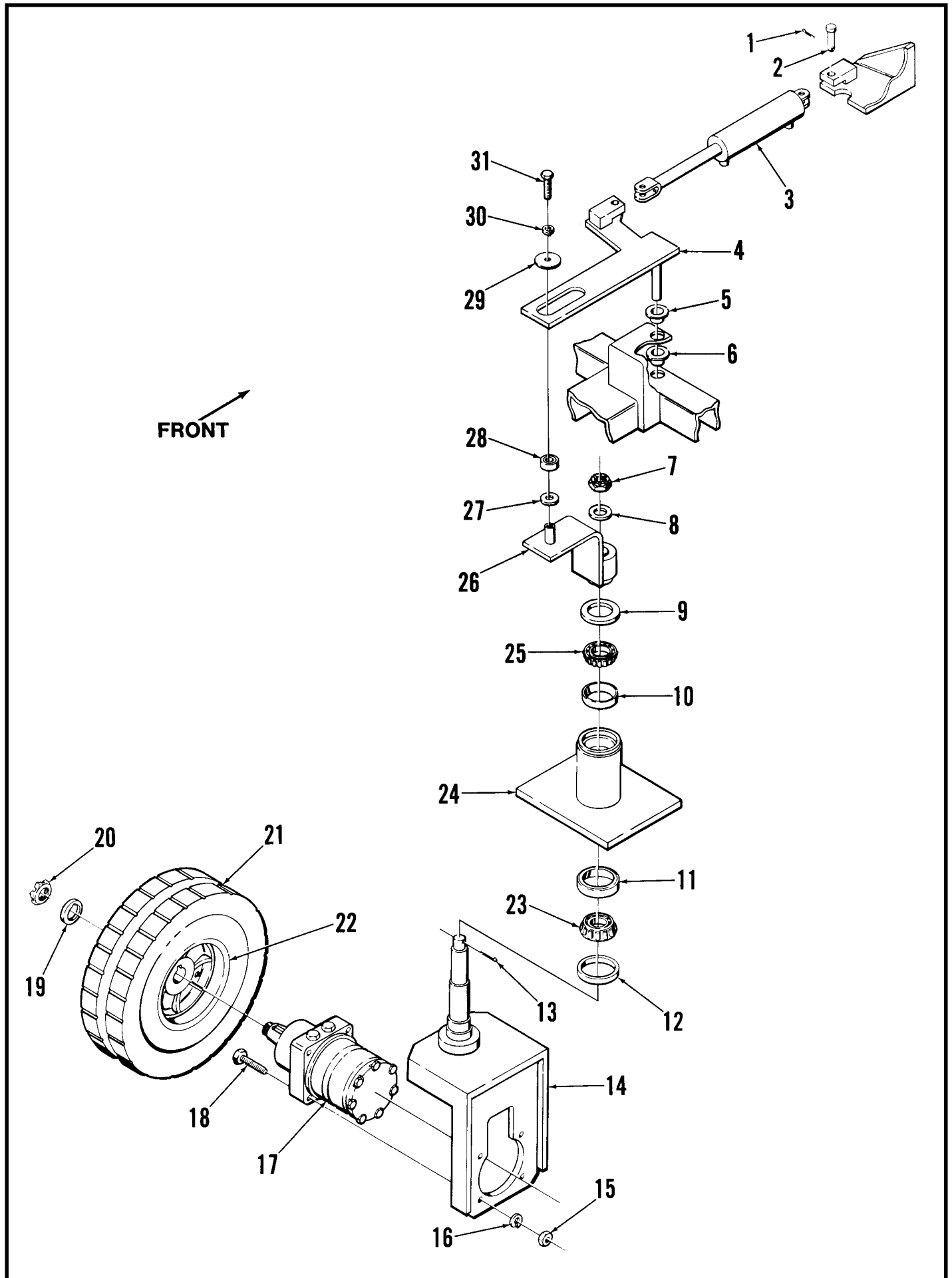
BRAKE PEDAL & LEVER

Item	Part No.	Qty	Description
1	56025122	1	Decal, Brake
2		2	1/4-20 x 1 Screw
3	56365081	1	Plate
4	56365086	1	Pad
5	56365087	1	Cup
6	56462131	1	Brake Pedal
7		4	5/16-20 Nut
8		4	5/16 Lock Washer
9	56462136	1	Right Bracket
10		4	5/16-20 x 1 Bolt
11	56171095	2	Bearing
12	56493045	1	Yoke
13	56493030	1	Pin
14		1	3/32 x 3/4 Cotter Pin
15		1	1/4 x 1 Spring Pin
16	56486563	1	Brake Cable, Left
17	56462141	1	Yoke
18	56486563	1	Brake Cable, Right
19	56462137	1	Yoke
20		4	3/8-16 Nut
21		4	3/8 Washer
22		4	3/8-16 x 1 Bolt
23	56448200	1	Brake Lever
24	56462142	1	Left Bracket



STEERING COLUMN ASSEMBLY

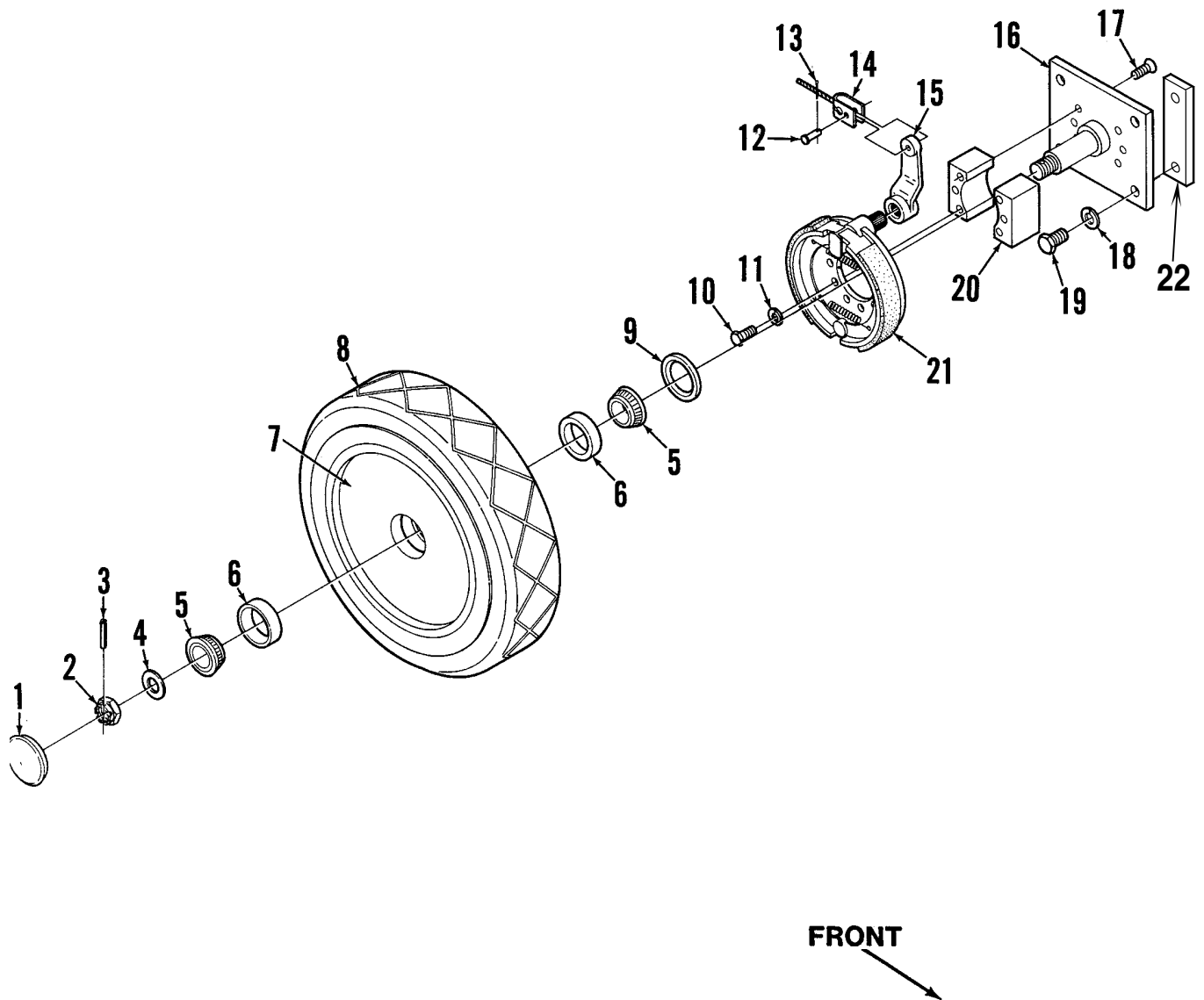
Item	Part No.	Qty	Description
1	56014448	1	Decal
2	56497543	1	Cap
3	56488795	1	Nut
4	56163449	1	Washer
5	56497306	1	Steering Wheel
6	56462378	1	Adapter
7	56462376	1	Steering Column
8		4	5/16-24 Nut
9	56488019	1	Bracket
10	56462377	1	Steering Unit



REAR WHEEL & STEERING

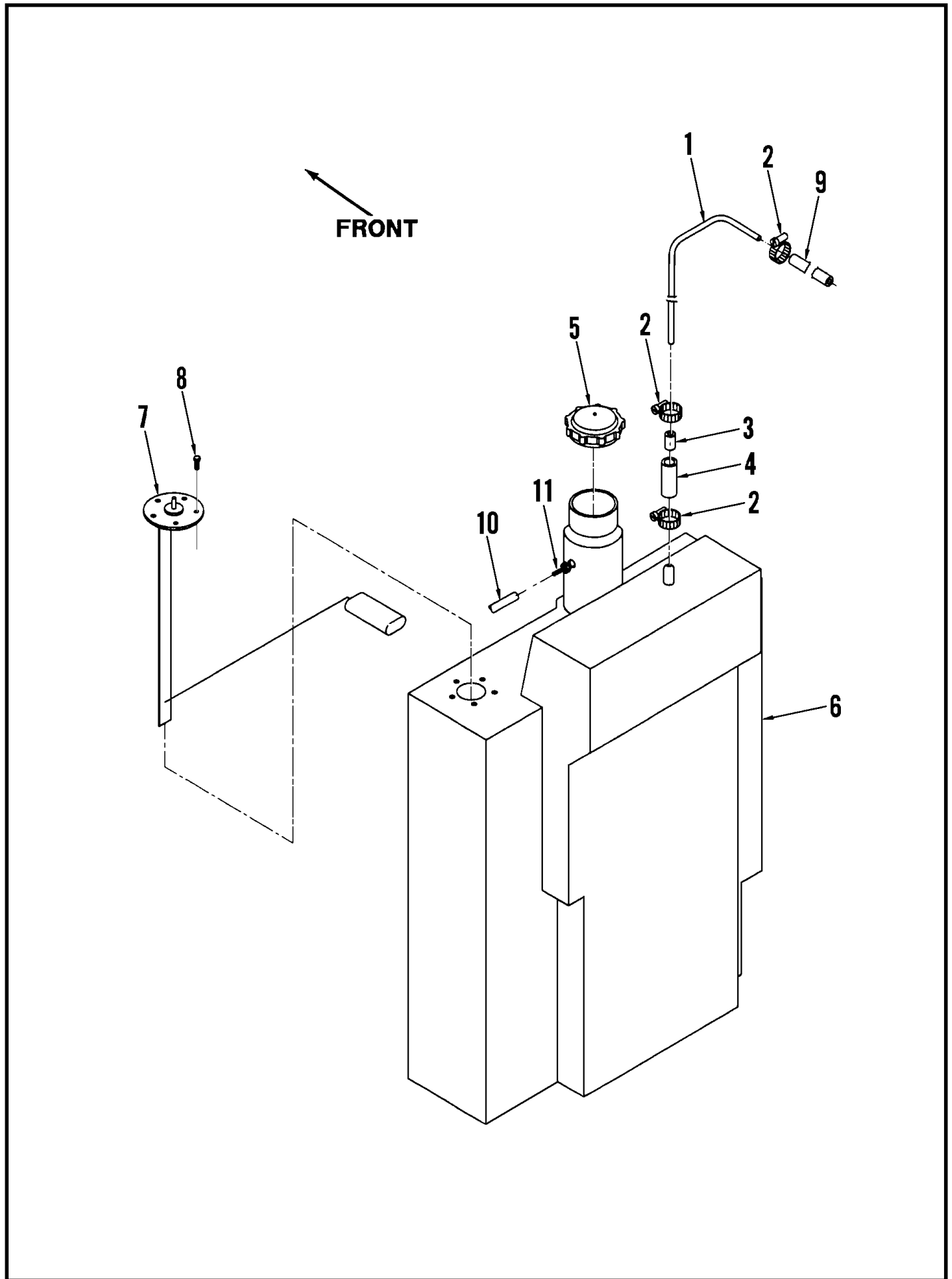
Item	Part No.	Qty	Description
1		2	3/32 x 1 Cotter Pin
2	56462441	2	Pin
3	56463365	1	Steering Cylinder Kit
4	56462435	1	Lever TSB 559, G-12
5	56444944	1	Bearing
6	56171095	1	Bearing
7	56110817	1	Nut
8	56101281	1	Washer
9	56486730	1	Seal
10	56900075	1	Bearing Race
11	56744474	1	Bearing Race
12	56477783	1	Seal
13		1	1/8 x 2 Cotter Pin
14	56462448	1	Spindle TSB 595, G-5
15		4	1/2-13 Nut
16		4	1/2 Lock Washer
17	56462454	1	Motor TSB 595, G-5
18		4	1/2-13 x 2 Bolt
19		1	1 1/8 Washer
20	56462927	1	1 1/8-18 Castle Nut
21	56462443	1	Tire TSB 595, G-5
22	56462444	1	Hub
23	56744471	1	Bearing
24	56462077	1	Housing
25	56486724	1	Bearing
26	56462432	1	Lever TSB 559, G-12
27	56163449	1	Washer
28	56106070	1	Bearing TSB 559, G-12
29	56462440	1	Washer TSB 559, G-12
30		1	3/8 Lock Washer
31		1	3/8-16 x 1 Bolt

* = Not Shown



FRONT WHEELS

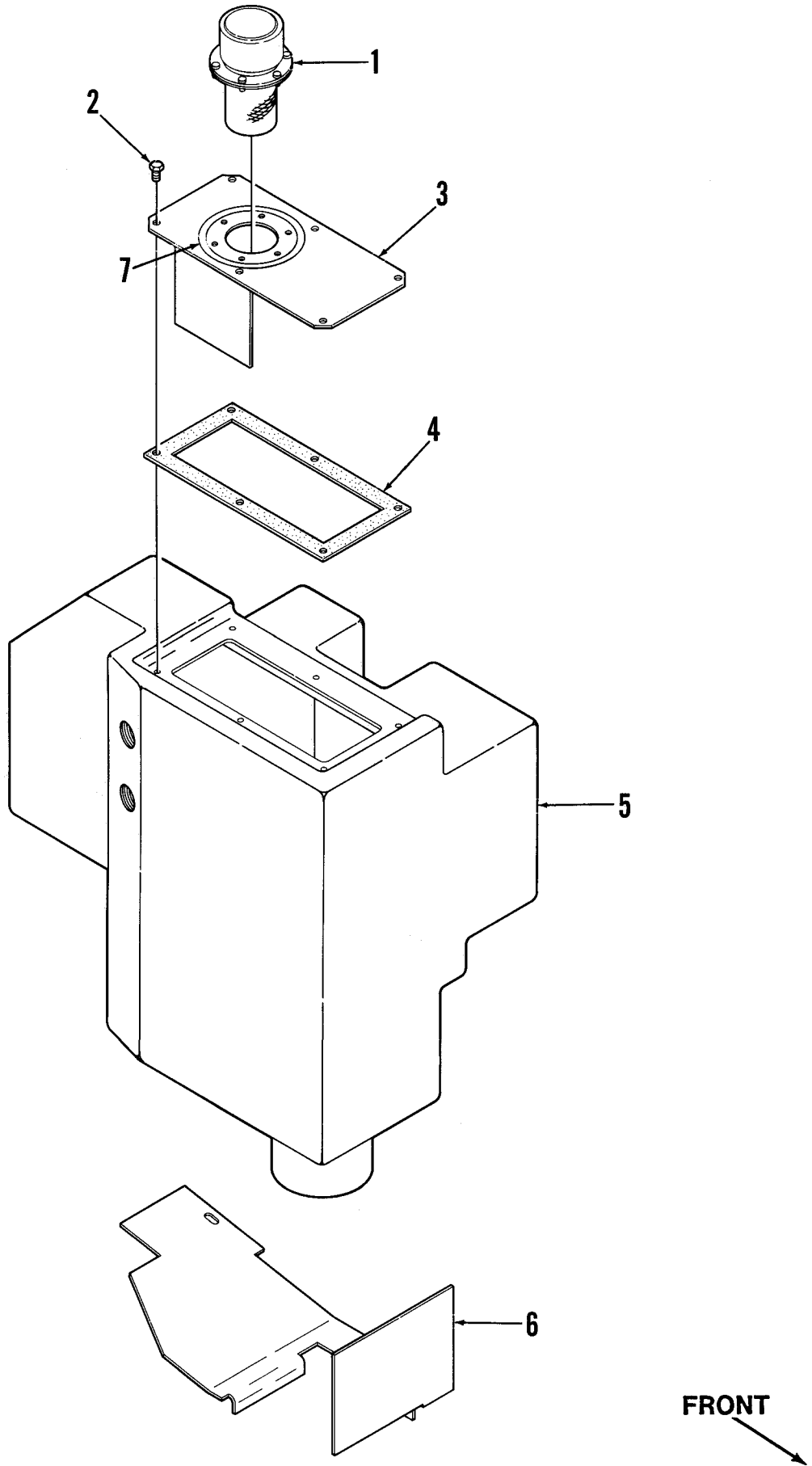
Item	Part No.	Qty	Description
1	56462696	2	Dust Cap
2	56110817	2	Nut
3		2	1/8 x 1 Cotter Key
4		2	7/8 Washer
5	56158151	4	Bearing
6	56158143	4	Bearing Race
7	56462386	2	Hub
8	56462388	2	Tire
	56462385	2	Wheel Assembly (#5-9)
9	56171081	2	Seal
10		12	3/8-16 x 1 Bolt
11		12	3/8 Lock Washer
12	56493030	2	Pin
13		2	3/32 x 1 Cotter Key
14	56493045	2	Yoke
15	56493222	2	Arm
16	56462381	2	Axle
	56462380	2	Axle Assembly (#16, 20, 21)
17		12	3/8-16 x 1 Bolt
18		8	5/8 Lock Washer
19		8	5/8-18 x 1 1/4 Bolt
20	56462384	4	Spacer Block
21	56493214	2	Brake Assembly
	56477838	2	Brake Shoe Assy (2 brake shoes per assy)
22	56463626	4	Spacer



FUEL TANK ASSEMBLY

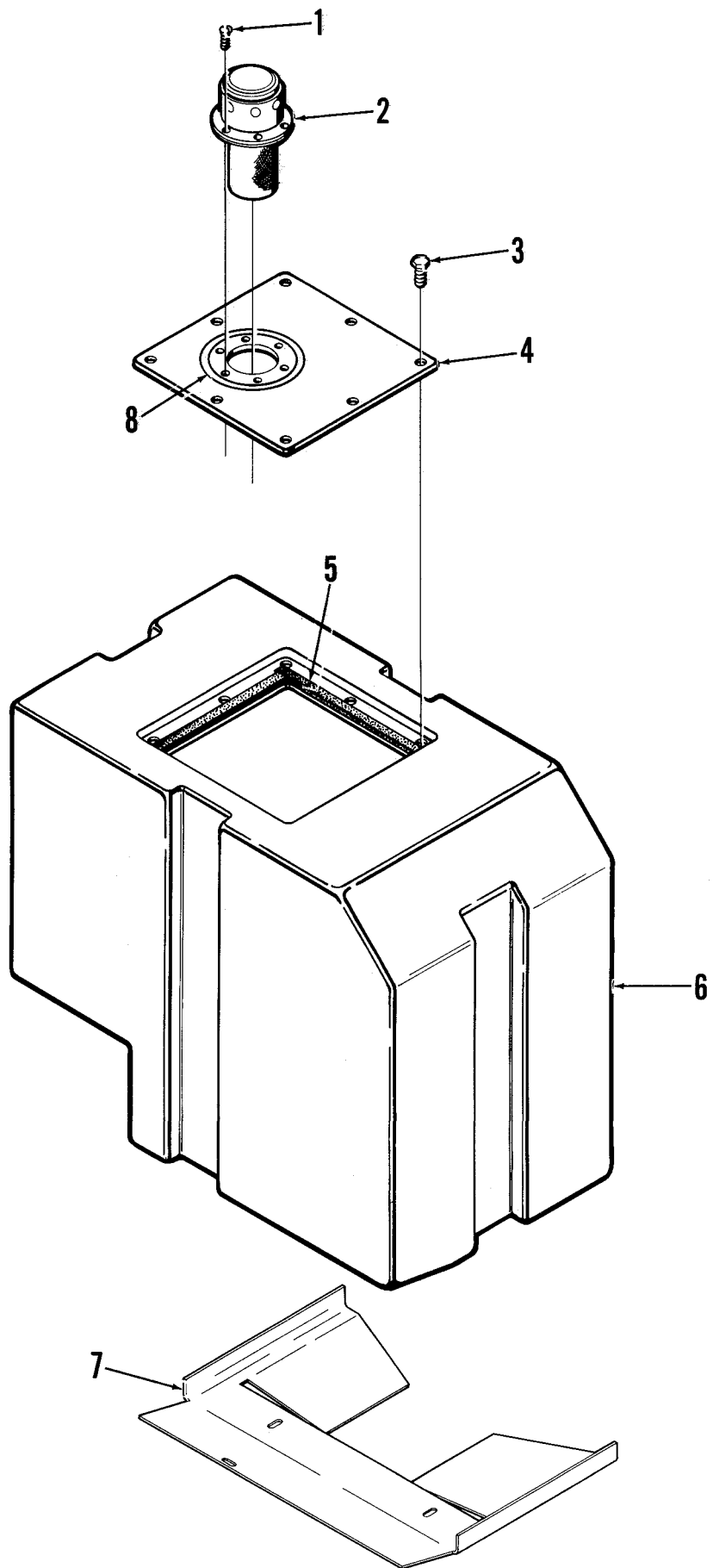
Item	Part No.	Qty	Description
	56462494	1	Fuel Tank Assembly (Gas)
	56463470	1	Fuel Tank Assembly (Diesel)
1	56462499	1	Copper Tube
2	56756364	3	Hose Clamp
3	56497537	1	Hose
4	56497539	1	Hose
5	56462995	1	Vented Gas Cap
6	56462495	1	Gas Tank
7	56462498	1	Fuel Gauge Sender
8	56002520	5	#10-24 x 1/2 HP-5 Screw
9	56478488	1	Fuel Line (To engine / Gas)
	56459054	1	Fuel Line (To engine / Diesel)
10	56457094	1	Hose (Diesel)
11	56477522	1	Barb (Diesel)
*	56026050	1	Decal, Gas
*	56025454	1	Decal, Diesel

* = Not Shown



HYDRAULIC OIL TANK after serial number 501100

Item	Part No.	Qty	Description	
	56463108	1	Hydraulic Oil Tank Assembly	For Machines serial number 501100 and before, also see page 24.
1	56479656	1	Filler Cap	
2		6	1/4-20 x 1/2 HP-5 Screw	
3	56463022	1	Hydraulic Reservoir Cover	
4	56463332	1	Gasket	
5	56463098	1	Hydraulic Reservoir	
6	56463094	1	Hydraulic Reservoir Support	
7	56015162	1	Decal, Oil Fill	

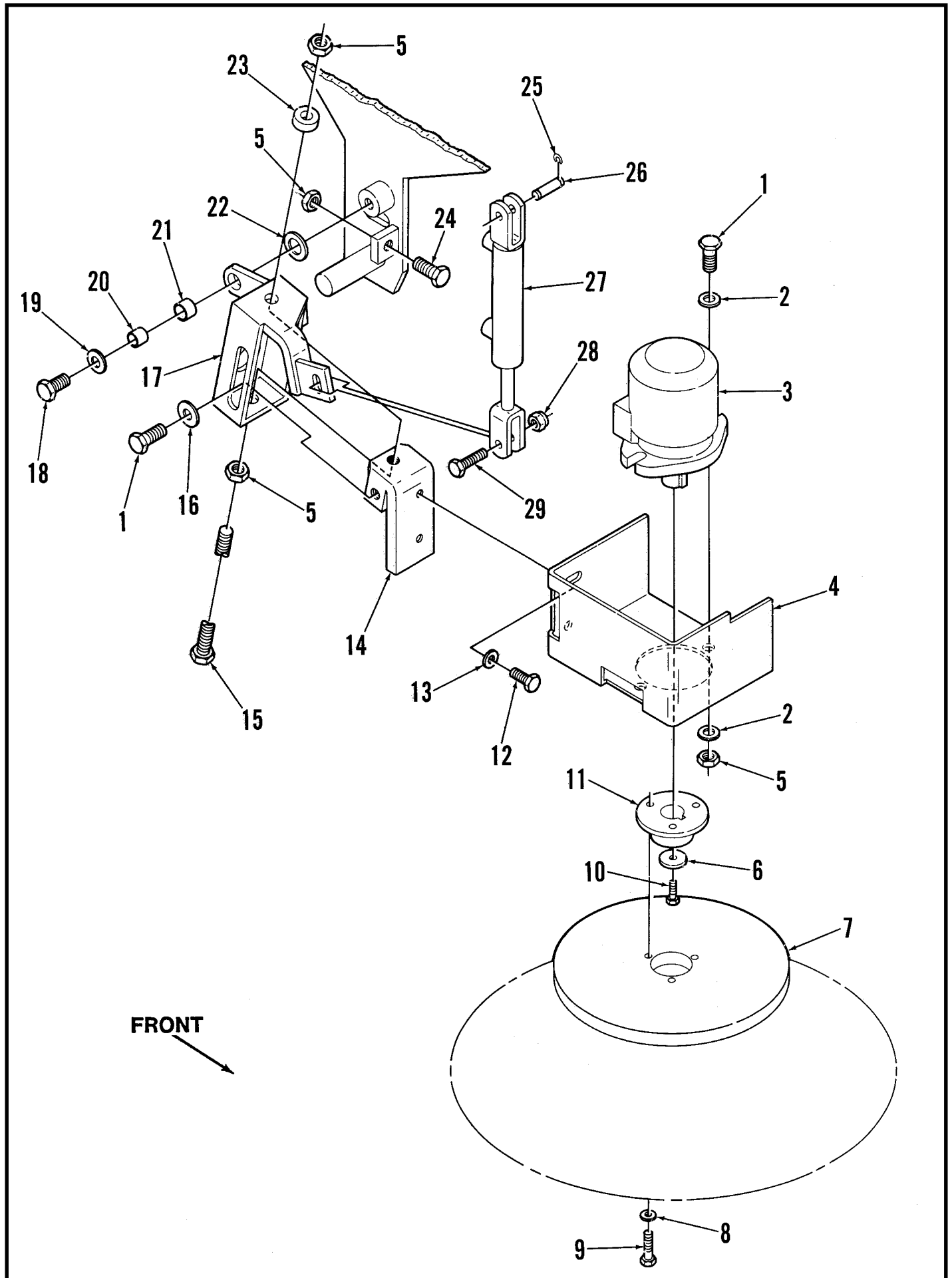


FRONT ↗

HYDRAULIC OIL TANK before serial number 501100

Item	Part No.	Qty	Description
	56462389	1	Hydraulic Oil Tank
1		6	#10-24 x 1/2 Screw
2	56479656	1	Filler Cap
3		8	1/4-20 x 3/4 Screw
4	56462392	1	Cover
5	56209434	3'	Gasket Material (1 M)
6	56462390	1	Tank
7	56462695	1	Tank Support
8	56015162	1	Decal, Oil Fill

For Machines serial number 501101 and after, also see page 22.

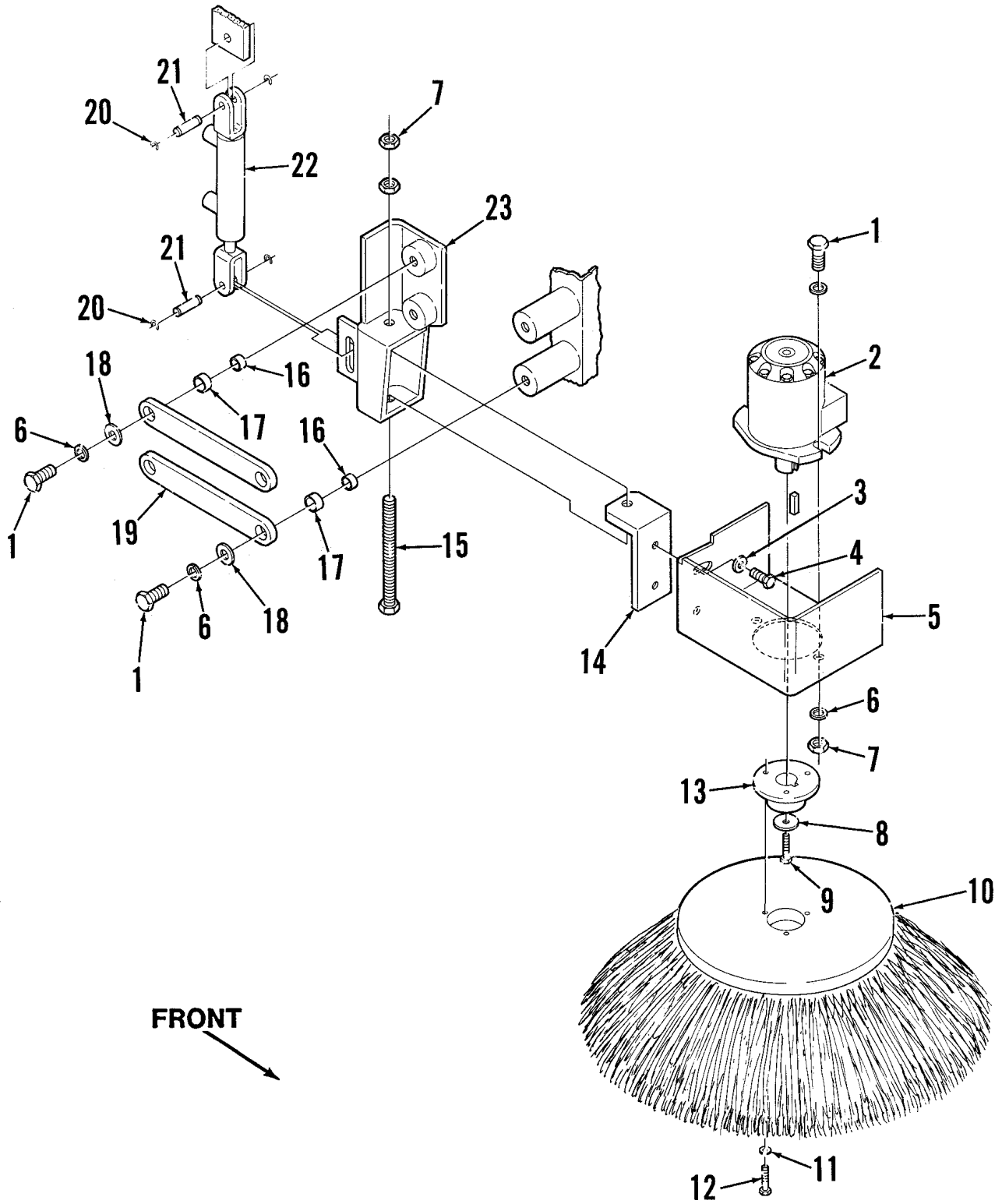


SIDE BROOM ASSEMBLY

Item	Part No.	Qty	Description
	56462041	1	Right Side Broom Assembly
	56462042	1	Left Side Broom Assembly
1		3	1/2-13 x 1-1/4 Bolt
2		4	1/2 Lock Washer
3	56484218	1	Brush Motor TSB 604, G-3
*	56503028	1	Seal Kit for Brush Motor
4	56462253	1	Right Motor Mount TSB 599, G-4
*	56462824	1	Left Motor Mount TSB 599, G-4
5		5	1/2-13 Nut
6	56159387	1	Washer
7	56462252	1	Broom
8		3	5/16 Lock Washer
9		3	5/16-18 x 1-1/4 Bolt
10		1	1/4-20 x 3/4 Screw
11	56479948	1	Hub
12		2	3/8-16 x 1 Bolt
13		2	3/8 Flat Washer
14	56462031	1	Right Angle Bracket
*	56462030	1	Left Angle Bracket
15	56462926	1	Bolt
16	56367214	1	Washer
17	56462046	1	Right Broom Lift Bracket
*	56462047	1	Left Broom Lift Bracket
18		1	1/2-13 x 1 Bolt
19		1	1/2 Flat Washer
20	56367206	1	Bushing
21	56462848	1	Bushing
22	56367192	1	Washer
23	56152811	1	Collar
24	56463000	1	Bolt
25	56321427	2	Retaining Ring
26	56462261	1	Pin
27	56462262	1	Cylinder
28	56453771	1	Lock Nut
29		1	3/18-16 x 1-1/2 Bolt

* = Not Shown

For Machines serial number 478512 and after, or earlier machines fitted with 56462013 – Right Side Broom Lift Kit, 56462019 – Left Side Broom Lift Kit. Also see page 30.

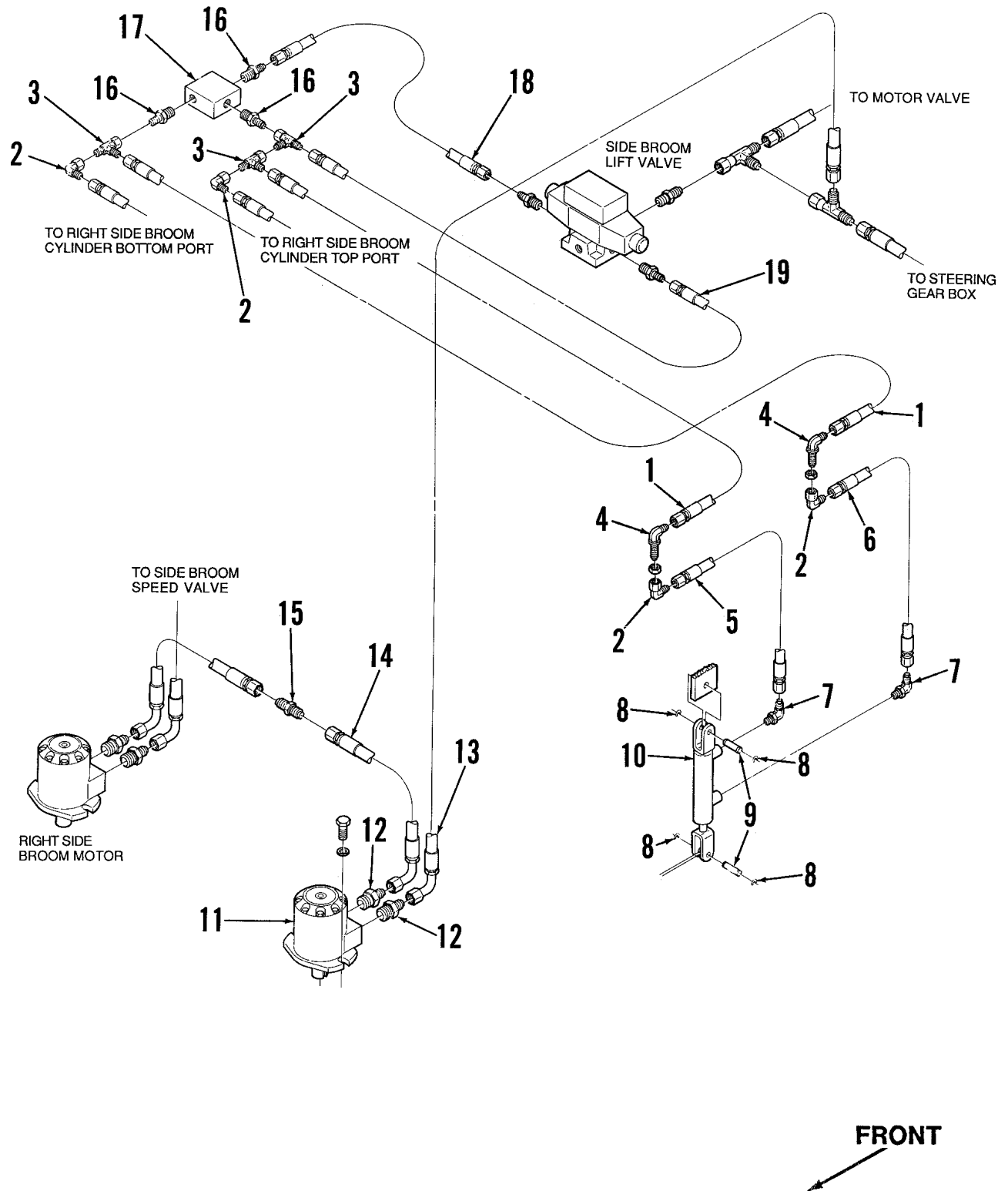


SIDE BROOM ASSEMBLY

Item	Part No.	Qty	Description
	56462242	1	Right Side Broom Assembly
*	56462822	1	Left Side Broom Assembly
1		6	1/2-13 x 1-1/4 Bolt
2	56484218	1	Motor (with Key) TSB 604, G-3
*	56503028	1	Seal Kit (for #2)
3		2	3/8 Washer
4		2	3/8-16 x 1 Bolt
5	56462253	1	Right Side Motor Mount TSB 599, G-4
*	56462824	1	Left Side Motor Mount TSB 599, G-4
6		8	1/2 Lock Washer
7		4	1/2-13 Nut
8	56159387	1	1/4 Washer
9		1	1/4-20 x 3/4 Screw
10	56462252	1	Broom
11		3	5/16 Washer
12		3	5/16-18 x 1-1/4 Bolt
13	56479948	1	Hub
14	56462249	1	Right Side Angle
*	56462823	1	Left Side Angle
15	56462926	1	1/2-13 x 7 Bolt
16	56360627	4	Bushing
17	56370878	4	Bearing
18	56367214	4	Washer
19	56462260	2	Lift Arm
20	56321427	4	Retaining Ring
21	56462261	2	Pin
22	56462262	1	Broom Lift Cylinder
23	56462254	1	Right Lift Bracket
*	56462825	1	Left Lift Bracket
*	56015155	1	Decal, Side Broom

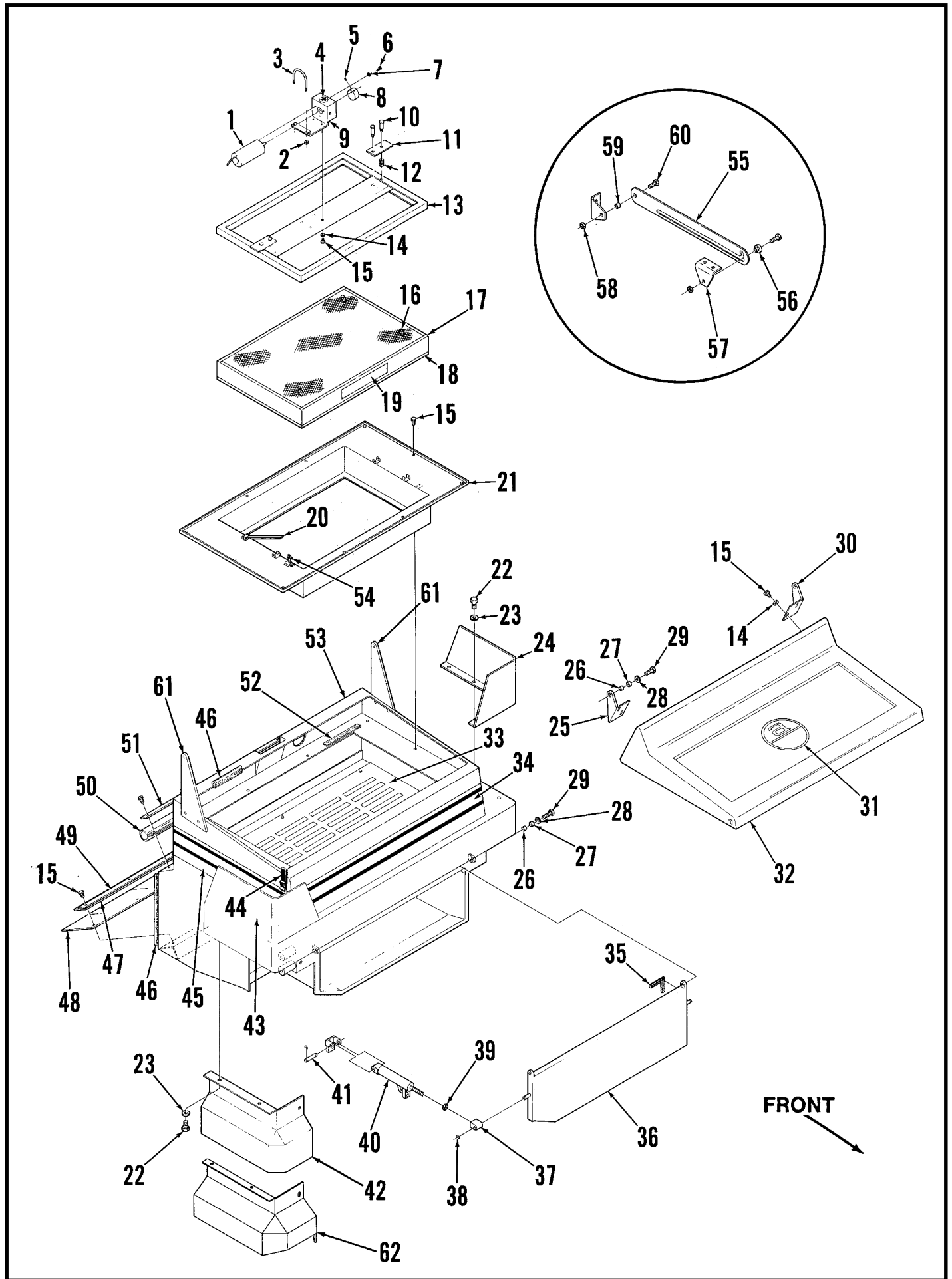
* = Not Shown

For Machines before serial number 478512 that have not been fitted with 56462013 – Right Side Broom Lift Kit. Also see page 26.



LEFT SIDE BROOM HYDRAULICS

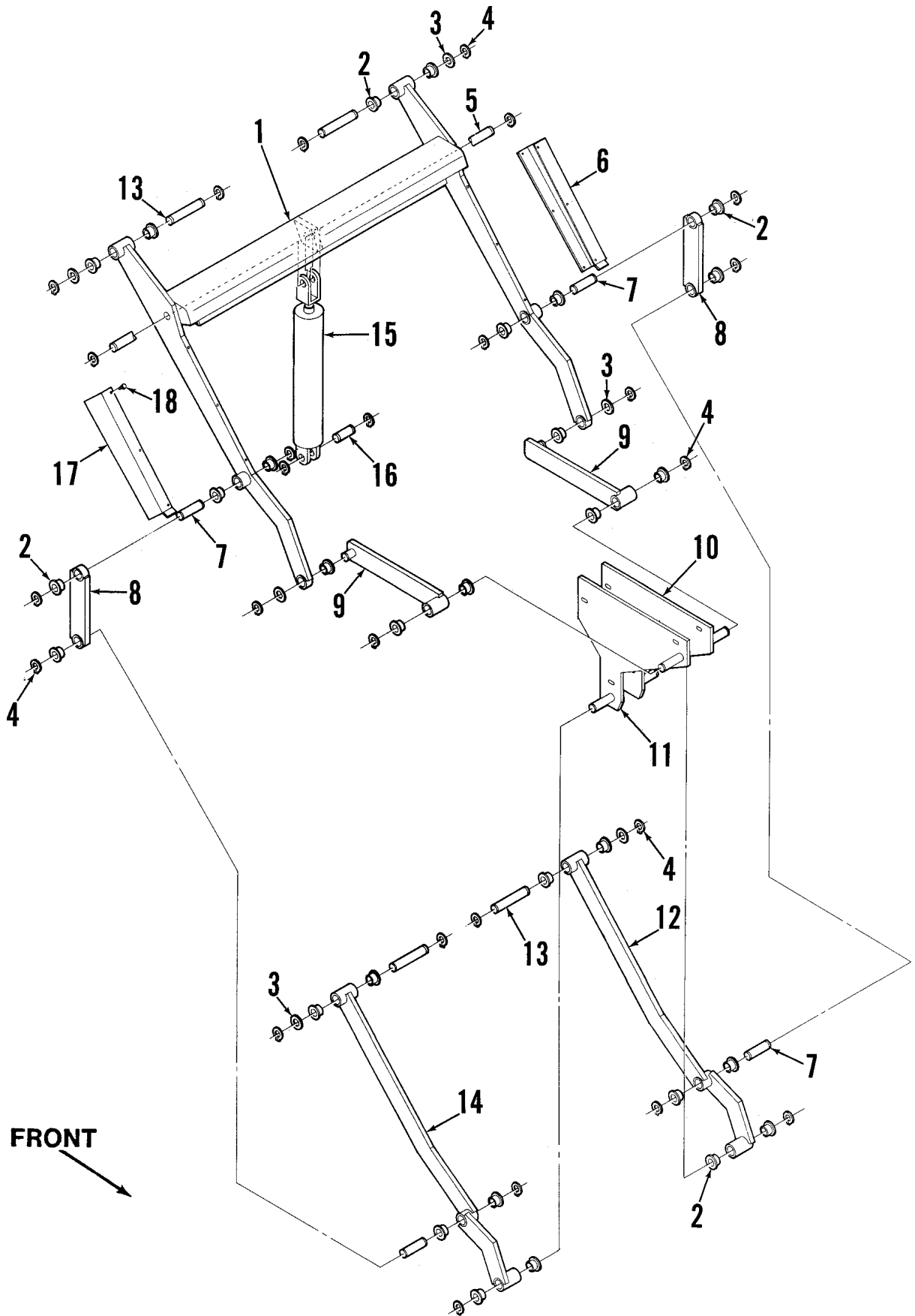
Item	Part No.	Qty	Description
1	56462829	2	Hose
2	56900301	4	Elbow
3	56900341	3	Tee
4	56900401	2	Elbow (with Nut)
5	56462396	1	Hose
6	56462397	1	Hose
7	56900101	2	Elbow
8	56321427	4	Retaining Ring
9	56462261	2	Pin
10	56462262	1	Cylinder
11	56484218	1	Hydraulic Motor (with Key) TSB 604, G-3
*	56503028	1	Seal Kit (for motor)
12	56900014	2	Connector
13	56462985	1	Hose
14	56462984	1	Hose
15	56900873	1	Fitting
16	56900011	3	Adapter
17	56462394	1	Check Valve
18	56463056	1	Hose
19	56463057	1	Hose



HOPPER ASSEMBLY

Item	Part No.	Qty	Description	Item	Part No.	Qty	Description
	56462269	1	Hopper Assembly	34	56014819	2	Decal, Stripe
1	56491820	1	Shaker Motor	35	56449227	9'	Gasket Material (3 M)
*	56491823	1	Carbon Brush Kit (for 491820)	36	56462299	1	Dump Door
2	56469021	2	Nut	37	56484047	2	Block
3	56468329	1	U-Bolt	38	56462265	6	Retaining Ring
4	56030080	1	Decal, Hands Clear	39		2	1/2-20 Nut
5		2	#10-24 x 1/4 Set Screw	40	56492477	2	Cylinder
6		3	#10-32 x 1/2 Screw	41	56462298	2	Pin
7		3	#10 Washer	42	56462718	1	Right Side Broom Guard (serial #478511 and before)
8	56491822	1	Eccentric		56462722	1	Left Side Broom Guard (serial #478511 and before)
9	56468331	1	Mount				
10	56491872	4	Bolt				
11	56489109	2	Bracket	43	56462820	1	Right Pylon
12	56171177	2	Spring	44	56462316	2	Latch
13	56482102	1	Filter Retainer	45	56014823	2	Decal, Stripe
14		8	1/4 Washer	46	56483549	16'	Gasket Material (5 M)
15		4	1/4-20 x 3/8 Screw	47	56462320	1	Reinforcement Blade
	56482305	1	Filter Assembly (#16-19)	48	56462319	1	Skirt
16	56478246	4	Cable Tie	49	56462321	1	Bottom Strap
17	56482050	1	Filter	50	56462317	1	Seal
18	56482120	1	Gasket	51	56462318	1	Top Strap
19	56023320	1	Decal, Filter	52	56490114	3	Gasket
20	56491848	2	Lever	53	56462270	1	Hopper
*	56491826	2	Pin	54	56491860	2	Clamp
*	56321125	4	Retaining Ring	55	56462322	1	Latch
21	56482301	1	Filter Housing	56	56384708	1	Bushing
22		7	1/2-13 x 1 Bolt	57	56462292	2	Bracket
23		7	1/2 Washer	58		2	1/4-20 Nut
24	56462821	1	Left Pylon	59	56206784	1	Bushing
25	56462307	1	Right Hinge	60		2	1/4-20 x 3/4 Screw
26	56360627	4	Bushing	61	56462312	2	Plate
27	56370878	4	Bearing	62	56462037	1	Right Side Broom Guard (serial #478512 and after)
28	56367214	4	Washer				
29		4	1/2-13 x 1 1/4 Bolt	*	56462036	1	Left Side Broom Guard (serial #478512 and after)
30	56462310	1	Left Hinge				
31	56014813	1	Decal, Logo	*	56462367	1	Hopper Cord Assembly
32	56462311	1	Filter Cover				
33	56462313	1	Prefilter				

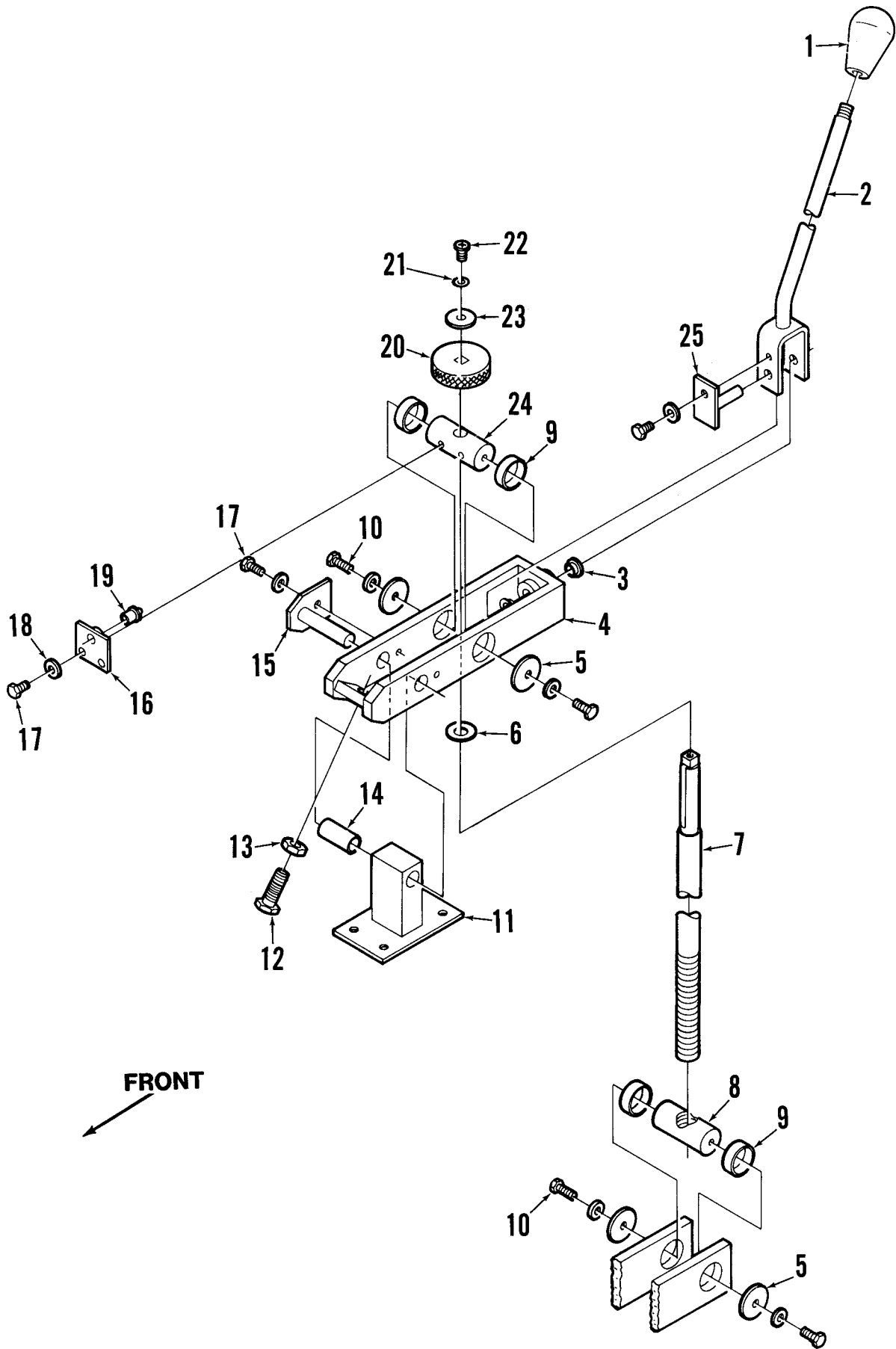
* = Not Shown



HOPPER LIFT ARMS

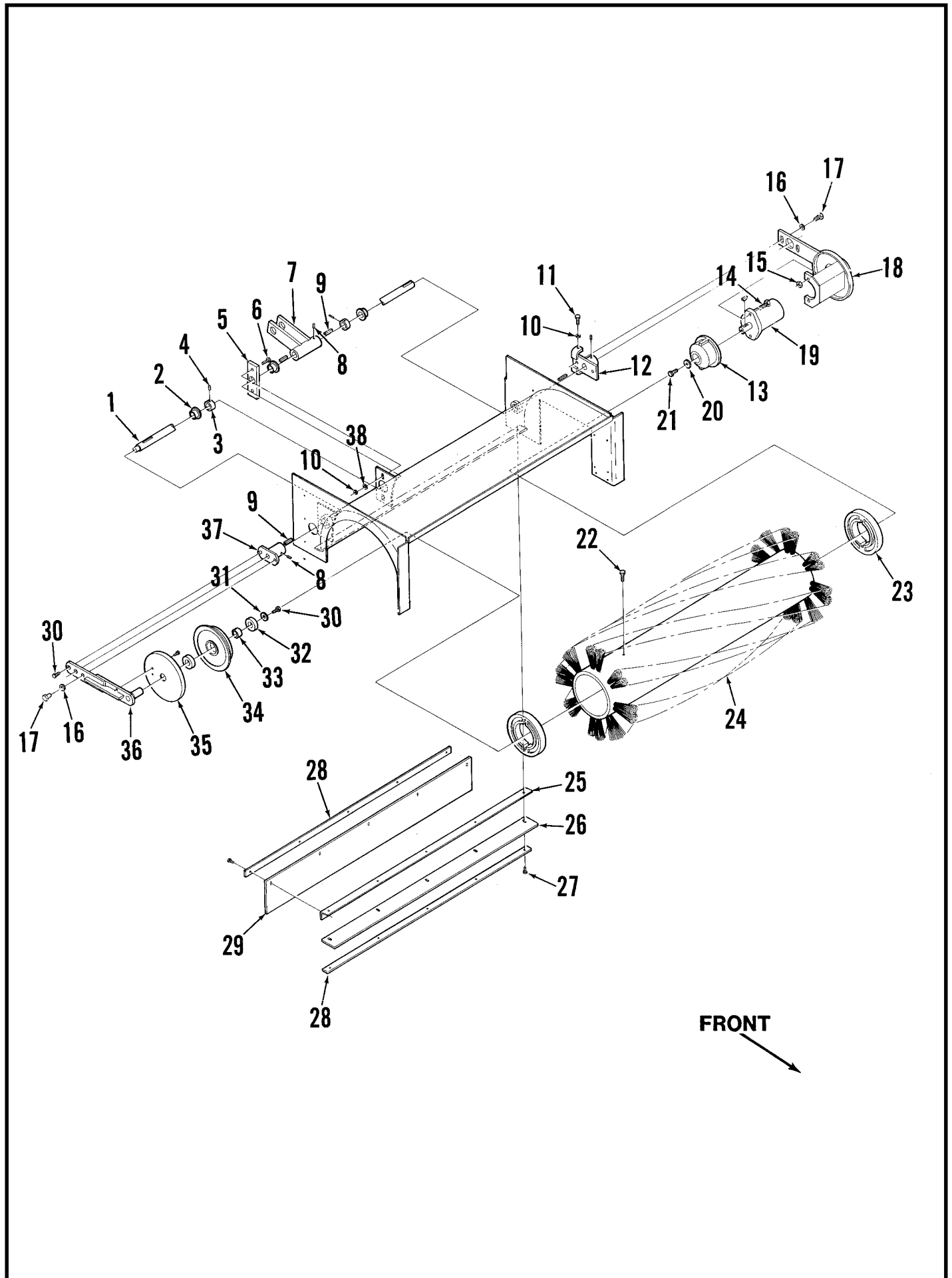
Item	Part No.	Qty	Description
1	56462208	1	Upper Arm
2	56444944	30	Bearing
3		6	1" Washer
4	56478778	26	Retaining Ring
5	56462707	1	Pin
6	56462716	1	Left Shield
7	56462709	4	Pin
8	56462224	2	Rotation Arm
9	56462203	2	Hopper Arm
10	56462710	1	Left Lift Plate
11	56462713	1	Right Lift Plate
12	56462201	1	Lower Left Arm
13	56462708	4	Pin
14	56462193	1	Lower Right Arm
15	56100038	1	Cylinder (black)
16	56462706	1	Pin
17	56462717	1	Right Shield
18		12	1/4-20 x 3/8 Screw
*	56462901	1	Hopper Safety Support
*	56100000	1	Safety Support Pin
*	56209603	1	Chain
*	56311057	2	Chain Coupler

* = Not Shown



MAIN BROOM LEVER ASSEMBLY

Item	Part No.	Qty	Description
	56462161	1	Main Broom Lever Assembly
1	56492792	1	Knob
2	56462165	1	Broom Lever
3	56483687	2	Bearing
4	56483353	1	Pivot
5	56159387	4	Washer
6	56468127	1	Bearing
7	56462150	1	Bar
8	56462148	1	Pin
9	56483716	4	Bearing
10		4	1/4-20 x 5/8 Screw
11	56462162	1	Pivot Mount
12		1	1/2-13 x 1 1/4 Bolt
13		1	1/2-13 Nut
14	56483345	1	Bearing
15	56483356	1	Pin
16	56483355	1	Latch Plate
17		4	1/4-20 x 1/2 Screw
18		8	1/4 Washer
19	56361321	1	Bullet Catch
20	56483359	1	Knob
21		1	#10 Washer
22		1	#10-24 x 3/4 Screw
23	56454626	1	Washer
24	56483357	1	Pin
25	56483674	1	Pin

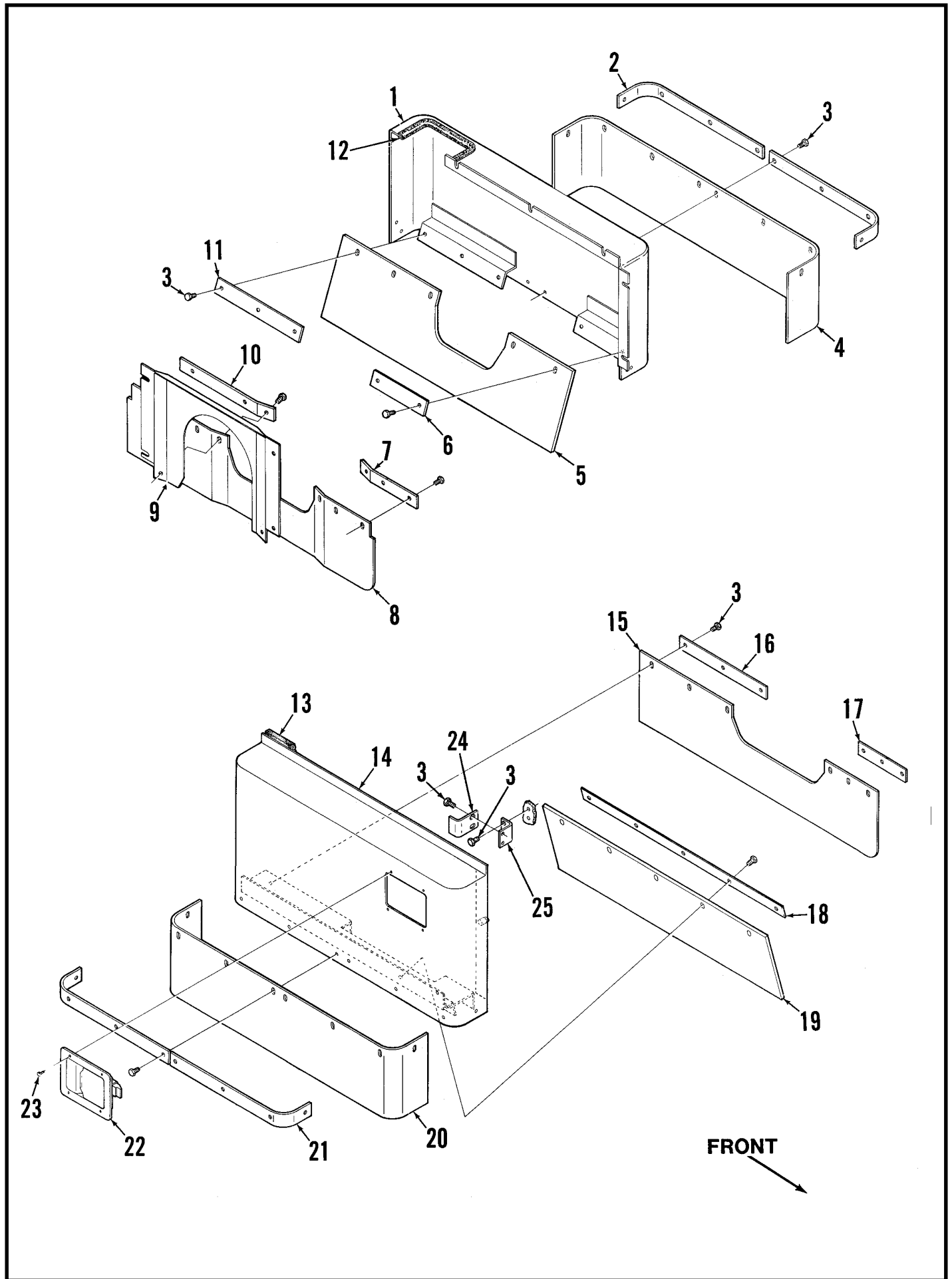


MAIN BROOM

Item	Part No.	Qty	Description
1	56462149	1	Shaft
2	56491650	3	Bearing
3	56444820	2	Collar
4		4	5/16-18 x 3/8 Set Screw
5	56483193	1	Bearing Block
6		2	3/8-16 x 1 Bolt
7	56483153	1	Collar
8	56900262	8	Set Screw
9	56442135	4	Key
10		4	3/8-16 Nut
11		2	3/8-16 x 1 1/4 Bolt
12	56483141	1	Broom Adjuster
13	56477762	1	Drive Hub
14		2	7/16-20 x 1 1/2 Bolt
15		2	7/16-20 Nut
16		3	1/2 Washer
17		3	1/2-13 x 1 Bolt
18	56483144	1	Arm
19	56483195	1	Motor (with Key)
*	56503027	1	Seal Kit (for #19)
20	56159387	1	Washer
21		1	1/4-20 x 1 Screw
22		12	1/4-20 x 1 1/4 Screw
23	56493501	2	Broom Insert
24	56505071	1	Main Broom, 8 row polypropylene
**	56505240	1	Main Broom, proex and wire
25	56462157	1	Support
26	56462160	1	Skirt
27		12	1/4-20 x 1/2 Screw
28	56462158	2	Strap
29	56462159	1	Rear Skirt
30		2	5/16-18 x 1 Bolt
31	56358959	1	Washer
32	56479430	2	Bearing
33	56479434	1	Bushing
34	56493845	1	Idler Hub
35	56493754	1	Guard
36	56483138	1	Arm
37	56483136	1	Collar
38		2	3/8 Flat Washer

* = Not Shown

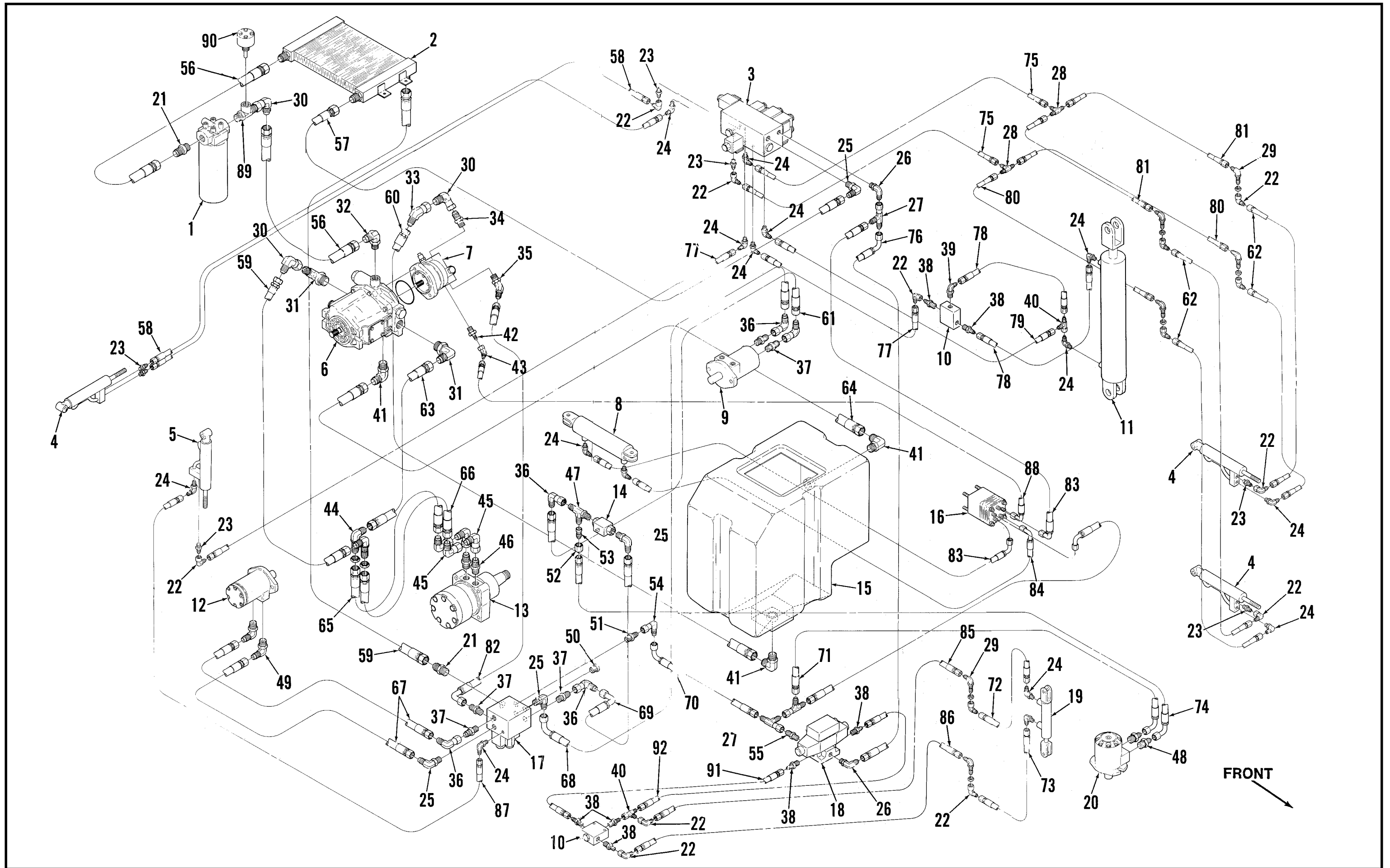
** = Optional



BROOM HOUSING DOORS & SKIRTS

Item	Part No.	Qty	Description
1	56462482	1	Left Broom Housing Cover
	56462481	1	Left Broom Housing Cover Assembly (#1-6, 11, 12)
2	56462490	2	Strap
3		41	1/4-20 x 1/2 HP-5 Screw
4	56462488	1	Skirt
5	56462489	1	Skirt
6	56462486	1	Strap
7	56462152	1	Strap
8	56462153	1	Skirt
9	56462151	1	Access Plate
10	56462156	1	Strap
11	56462487	1	Strap
12	56462491	1	Trim
	56462455	1	Right Broom Housing Door Assembly (#13-23)
13	56385248	3'	Gasket Material (1 M)
14	56462456	1	Right Broom Housing Door
*	56462461	1	Catch
*	56462462	1	Mount
*	56462471	1	Hinge
15	56462468	1	Skirt
16	56462464	1	Strap
17	56462467	1	Strap
18	56462469	1	Strap
19	56462470	1	Skirt
20	56462466	1	Skirt
21	56462465	2	Strap
22	56462326	1	Latch
23		4	#10-24 x 3/8 Screw
24	56462461	1	Latch Catch
25	56462462	1	Catch Mount

* = Not Shown



HYDRAULIC SYSTEM

Item	Part No.	Qty	Description
1	56456449	1	Oil Filter
	56496209	1	Filter Element
2	56462492	1	Oil Cooler
3	56462144	1	Cylinder Valve TSB 580, G-9, TSB 574, G-10
	56462143	1	Cylinder Valve Assembly (with Fittings)
*	56463460	3	Cylinder Orifice (ports H, M & N)
4	56492477	3	Dump Door Cylinder
	56492477	1	Squeegee Cylinder
5	56462476	1	Scrub System Cylinder
6	56456968	1	Hydraulic Pump
7	56462999	1	Hydraulic Pump (serial #502275 and after)
	56462086	1	Hydraulic Pump (serial #502274 and before)
8	56488722	1	Steering Cylinder
9	56483195	1	Main Broom Motor
10	56462394	2	Check Valve
11	56100038	1	Hopper Cylinder (black) TSB 591, G-7
12	56479606	1	Scrub Motor
13	56462454	1	Drive Motor
14	56496273	1	Side Broom Valve
	56462085	1	Side Broom Valve Assembly (with Fittings)
15			Note #1
16	56462377	1	Steering Unit
17	56462079	1	Motor Valve TSB 580, G-9, TSB 574, G-7
	56462084	1	Motor Valve Assembly (with Fittings)
*	56462522	1	Cylinder Orifice
18	56462187	1	Lift Valve
	56462186	1	Lift Valve Assembly (with Fittings)
19	56462262	1	Side Broom Cylinder
20	56484218	1	Side Broom Motor TSB 604, G-3
*	56503028	1	Seal Kit (for #20)
21	56900006	2	Connector
22	56900301	16	Elbow
23	56900001	7	Connector

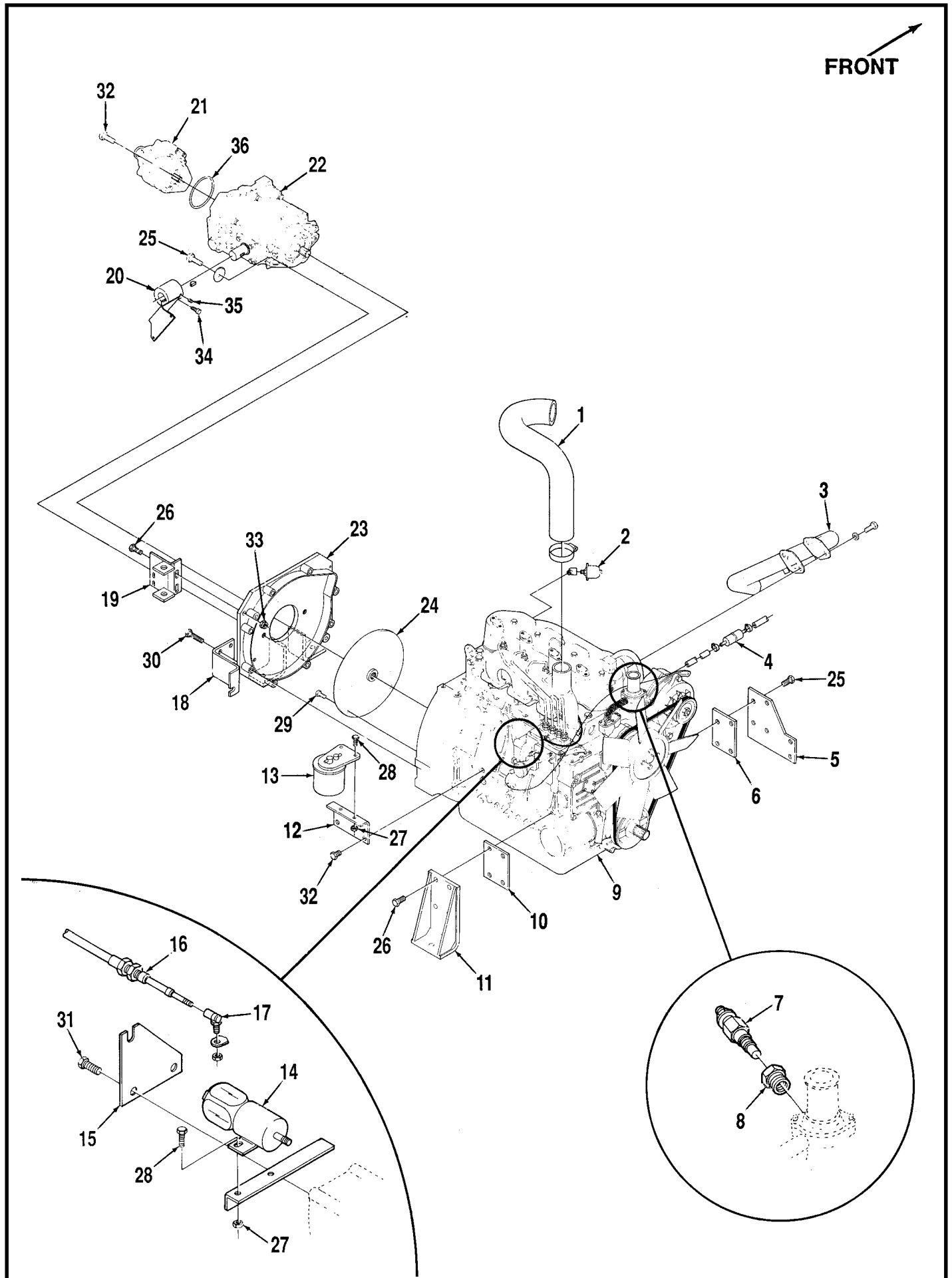
* = Not Shown

Note #1: Refer to pages 21-24 for proper hydraulic oil tank part numbers.

HYDRAULIC SYSTEM continued...

Item	Part No.	Qty	Description	Item	Part No.	Qty	Description
24	56900101	15	Elbow	59	56462426	2	Hose
25	56900104	4	Elbow	60	56488480	1	Hose
26	56900103	2	Elbow	61	56462189	1	Hose
27	56900343	3	Tee	62	56462397	4	Hose
28	56900441	2	Tee	63	56462427	1	Hose
29	56900401	6	Elbow (with Nut)	64	56462414	1	Hose
30	56900306	3	Elbow	65	56462424	1	Hose
31	56900117	2	Elbow	66	56462425	1	Hose
32	56456924	1	Elbow	67	56462403	2	Hose
33	56900326	1	Elbow	68	56462190	1	Hose
34	56900018	1	Connector	69	56462402	1	Hose
35	56900164	1	Elbow	70	56462407	1	Hose
36	56900304	5	Elbow	71	56462420	1	Hose
37	56900004	5	Connector	72	56462395	1	Hose
38	56900011	7	Connector	73	56462396	1	Hose
39	56900110	1	Elbow	74	56462419	1	Hose
40	56900341	2	Tee	75	56462417	2	Hose
41	56900106	3	Elbow	76	56462408	1	Hose
42	56900012	1	Connector	77	56462405	2	Hose
43	56900323	1	Elbow	48	56462406	1	Hose
44	56900406	2	Elbow (with Nut)	79	56462404	1	Hose
45	56900305	4	Elbow	80	56462416	2	Hose
46	56900005	2	Connector	81	56462415	2	Hose
47	56900204	1	Tee	82	56462413	1	Hose
48	56900014	2	Connector	83	56462410	2	Hose
49	56900114	2	Elbow	84	56462412	1	Hose
50	56900145	1	Plug	85	56462399	1	Hose
51	56900013	1	Connector	86	56462398	1	Hose
52	56900504	1	Nut	87	56462430	1	Hose
53	56900463	1	Reducer	88	56462409	1	Hose
54	56900303	3	Elbow	89	56463100	1	Tee
55	56900003	1	Connector	90	56463096	1	Temperature Switch
56	56492102	2	Hose	91	56463056	1	Hose
57	56462400	1	Hose	92	56463057	1	Hose
58	56462422	2	Hose				

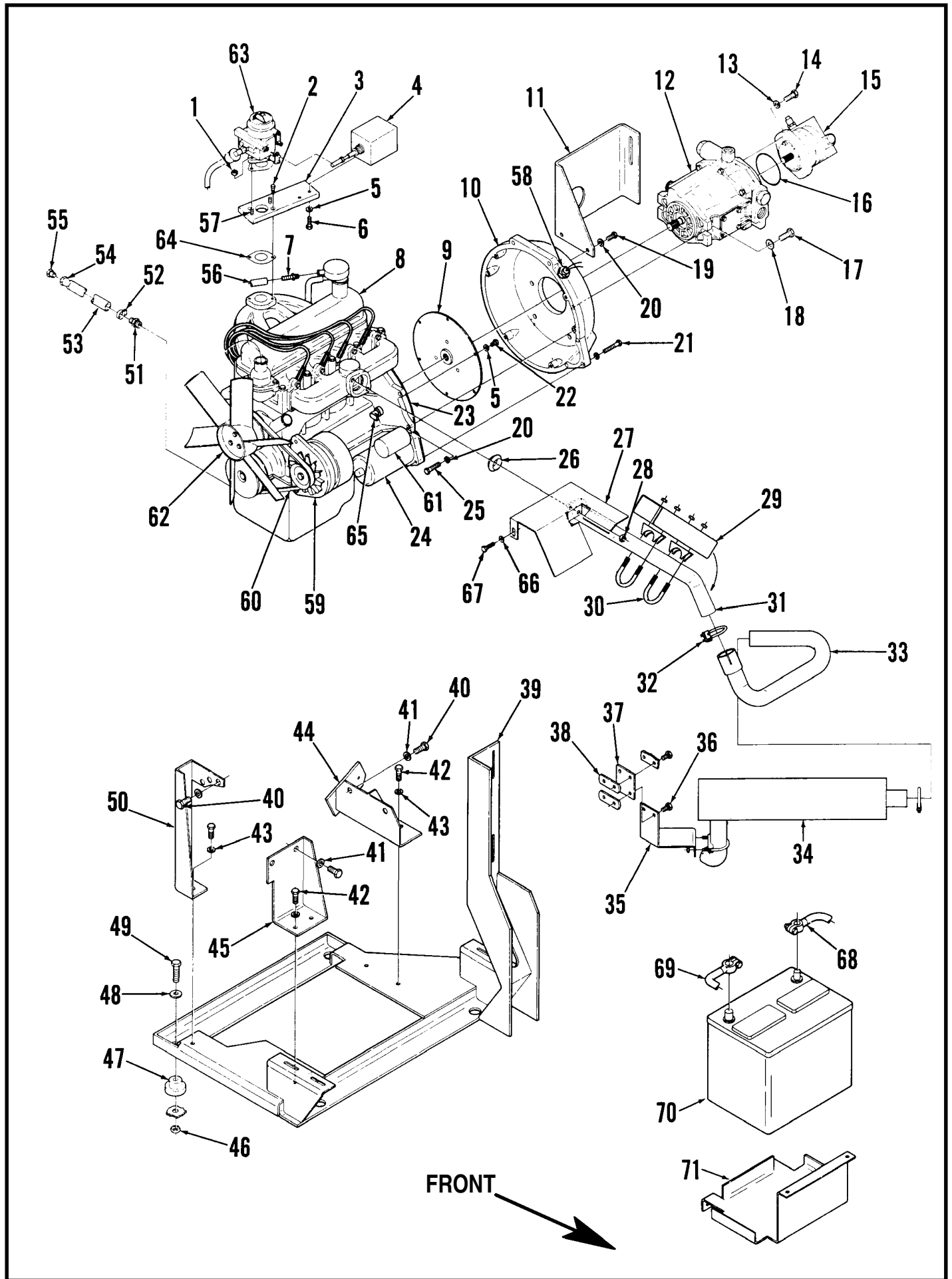
FRONT ↗



ENGINE - DIESEL

Item	Part No.	Qty	Description	Item	Part No.	Qty	Description
1	56463151	1	Air Cleaner Hose	26	56002663	4	3/8-16 x 1 Bolt
2	56478698	1	Oil Pressure Sender	27	56002708	4	1/4-20 Nyl Loc Nut
3	56463160	1	Exhaust Pipe	28	56002155	4	1/4-20 x 3/4 Screw
4	56480679	1	Fuel Filter Kit	29	56002127	8	3/8-16 x 3/4 Bolt
5	56463193	1	Engine Mount	30	56002091	8	3/8-16 x 2 Bolt
6	56463201	1	Spacer	31	56002234	2	3/8-16 x 5/8 Bolt
7	56481888	1	Coolant Temperature Sender	32	56002239	4	7/16-14 x 1 Bolt
8	56455744	1	Adapter	33	56002769	2	3/8-16 Nyl Loc Nut
9	56463183	1	Engine - Diesel	34	56002149	1	1/4-20 x 3/4 Cap Screw
10	56463185	1	Spacer	35	56001841	1	1/4-20 x 1/4 Set Screw
11	56463152	1	Engine Mount	36	56488867	1	O-Ring
12	56463212	1	Bracket				
13	56455670	1	Fuel Filter Assy	*	56463369	1	Engine Wiring Harness
*	56455792	1	Replacement Fuel Filter	*	56462870	1	Fan
14	56492109	1	Fuel Solenoid	*	56463296	1	Thermostat
15	56455750	1	Throttle Bracket	*	56463294	1	Starter
16	56462056	1	Throttle Cable	*	56492130	1	Voltage Regulator
17	56488290	2	Ball Joint	*	56441546	1	Starter Solenoid
18	56463191	1	Cable Bracket	*	56463300	1	Valve Cover Gasket
19	56463155	1	Accelerator Bracket	*	56463298	1	Upper Gasket Set
20	56463158	1	Lever	*	56463299	1	Lower Gasket Set
21	56463489	1	Accessory Pump	*	56463301	1	Coolant Overflow Tank
22	56456968	1	Hydraulic Pump	*	56463305	1	Coolant Overflow Tank Bracket
23	56463168	1	Bell Housing	*	56455793	1	Engine Oil Filter
24	56463199	1	Coupling				
25	56001895	8	1/2-13 x 1 Bolt				

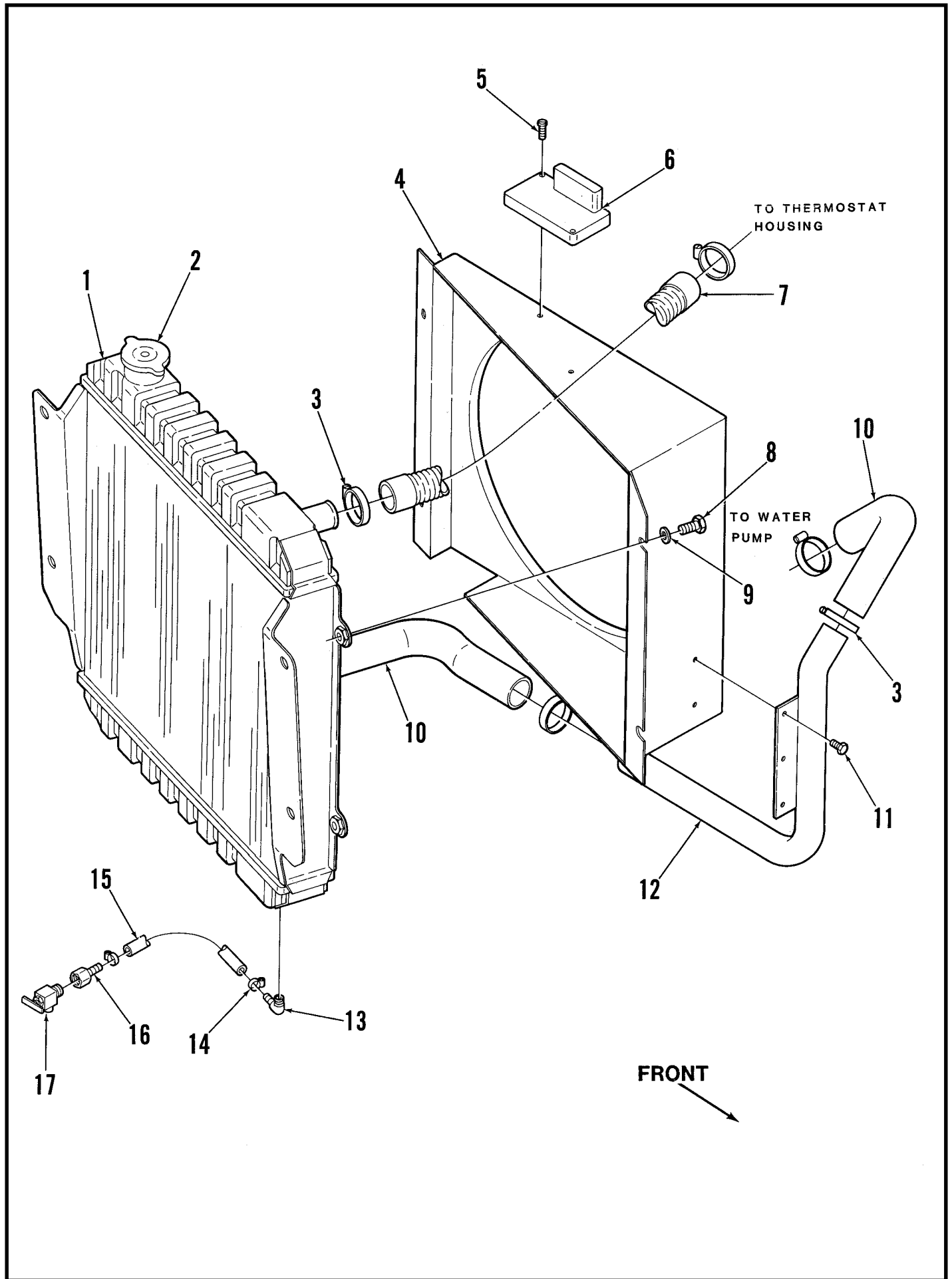
* = Not Shown



ENGINE - GAS

Item	Part No.	Qty	Description	Item	Part No.	Qty	Description
1		2	5/16-18 Nut	44	56462021	1	Mount
2		2	1/4-20 x 3/4 Screw	45	56462107	1	Mount
3	56462052	1	Carburetor Spacer	46		4	1/2-13 Nut
4	56484288	1	Actuator	47	56478685	4	Mount
5		8	5/16 Washer	48		4	1/2 Washer
6		2	5/16-18 x 1 Bolt	49		4	1/2-13 x 2 Bolt
7	56443999	1	Barb	50	56462110	1	Mount
8	56462051	1	Engine Gas (w/Carb)	51	56462244	1	Adapter
	56462050	1	Engine Propane (w/o Carb)	52	56219932	1	Hose Clamp
9	56462063	1	Coupler	53	56497359	3'	Oil Drain Hose (1 M)
10	56462083	1	Bell Housing	54	56462248	1	Swivel
11	56462106	1	Brace	55	56462247	1	Plug
12	56456968	1	Propulsion Pump	56	56150231	1'	Tubing (305 mm)
*	56488523	1	Seal Kit (for #12)	57	56462089	2	Stud
13		2	7/16 Washer	58	56484289	1	Governor Sensor
14		2	7/16-20 x 1 Bolt	59	56462863	1	Alternator 55 Amp (before SN 1004467)
15	56462999	1	Accessory Pump (for machines serial #502275 and after)		56463608	1	Alternator 37 Amp (after SN 1004466)
	56462086	1	Accessory Pump (for machines serial #502274 and before)	60	56462865	1	Alternator Belt
*	56462876	1	Seal Kit (for #15)	61	56462869	1	Starter Solenoid
16	56488867	1	O-Ring	62	56462870	1	Fan Blade
17		2	1/2-13 x 1 Bolt	63	56462873	1	Carburetor, Gas
18		2	1/2 Washer	*	56463436	1	Throttle Return Spring Kit
19		2	3/8-16 x 1 Bolt	64	56462874	1	Carburetor Gasket
20		11	3/8 Washer	65	56462875	1	Ignition Transducer
21		3	3/8-16 x 2 Bolt	66		1	5/16 Flat Washer
22		6	5/16-18 x 3/4 Bolt	67	56465352	1	Bolt
23	56462054	1	Rear Engine Plate	68	56462067	1	Negative Cable
24	56462868	1	Starter w/ Solenoid	69	56462066	1	Positive Cable
25		6	3/8-16 x 1 1/2 Bolt	70	56441511	1	Battery
26	56462867	1	Exhaust Gasket	71	56462747	1	Battery Tray (old style)
27	56463288	1	Heat Shield	*	56463196	1	Battery Tray (new style)
28		2	10 mm Nut				
29	56463492	1	Heat Shield Kit	*	56462862	1	Oil Filter
30	56343236	2	Muffler Clamp (included in kit #463492)	*	56462864	1	Water Pump (w/Gasket)
				*	56462871	1	Fuel Pump
31	56462755	1	Exhaust Pipe	*	56462872	1	Fuel Pump Gasket
32	56456833	3	Clamp	*	56481888	1	Temperature Sender
33	56462759	1	Exhaust Pipe	*	56478698	1	Oil Pressure Sender
34	56462754	1	Muffler	*	56462080	1	Engine Wiring Harness
*	56482496	1	Spark Arrestor (optional/for use on 462754)	*	56462056	1	Choke Cable (gas only)
				*	56462882	1	Anti-Dieseling Solenoid
35	56462758	1	Bracket	*	56462881	1	Mount Stud for Anti-Dieseling Solenoid
36		4	1/4-20 x 3/4 Screw				
37	56478726	1	Mount	*	56462883	1	Mount Clamp for Anti-Dieseling Solenoid
38	56481468	2	Nut Plate				
39	56462097	1	Motor Mount (gas)	*		1	Metric Screw 6 mm x 20 mm for Anti-Dieseling Solenoid
*	56463150	1	Motor Mount (diesel)				
40		7	1/2-13 x 1-1/4 Bolt	*	56462889	1	Fuel Filter
41		7	1/2 Washer	*	56462472	1	Crankshaft Sheave
42		5	3/8-16 x 1-1/4 Bolt	*	56463575	1	Spark Plug Wire Set
43		5	3/8 Washer				

* = Not Shown



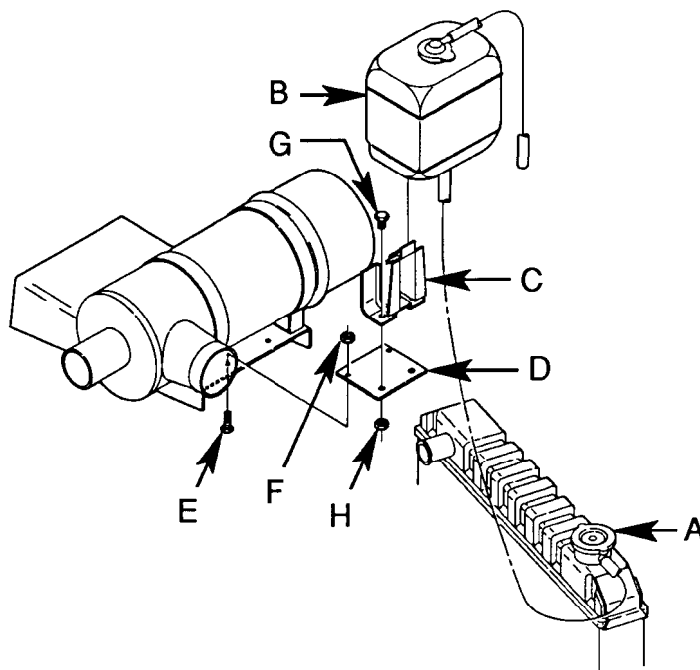
RADIATOR

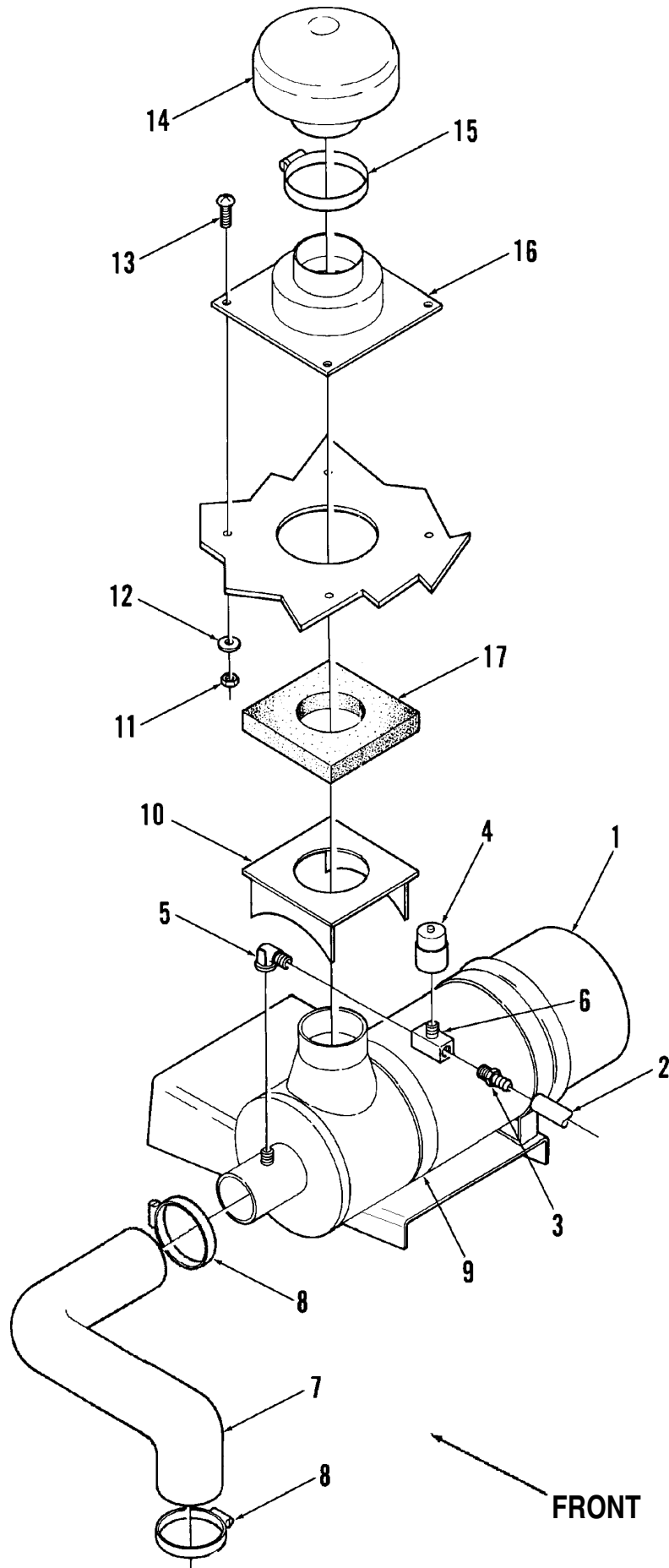
Item	Part No.	Qty	Description	Item	Part No.	Qty	Description
1	56457279	1	Radiator (See Note #1)	10	56481287	2	Hose
2	56456431	1	Radiator Cap	11		2	1/4-20 x 1/2 Screw
3	56329145	5	Hose Clamp	12	56462124	1	Tube (G & P)
4	56462264	1	Shroud (G & P)	*	56463342	1	Tube (Diesel)
*	56463165	1	Shroud (Diesel)	13	56755726	1	Barb
5		2	#10-24 x 1/2 Screw	14	56756364	2	Hose Clamp
6	56462866	1	Ignition Controller	15	56462127	3'	Hose (1 M)
7	56456304	1	Hose	16	56756360	1	Barb
8	56457286	4	Screw	17	56386420	1	Valve
9		4	1/4 Lock Washer				

Note #1: A coolant recovery tank has been added on machines after SN 528800. Order overflow tank kit PN 56463439 to update earlier machines.

56463439 Overflow Tank Kit

Item	Part No.	Qty	Description
	56040466	1	Instruction Sheet
A	56456431	1	Radiator Cap
B	56463301	1	Coolant Recovery Tank
C	56463305	1	Bracket
D	56463435	1	Bracket
E	56002504	2	#10-24 X 3/4 Screw
F	56002768	2	#10-24 Nut
G	56002035	2	5/16-18 X 5/8 Bolt
H	56002701	2	5/15-18 Nut



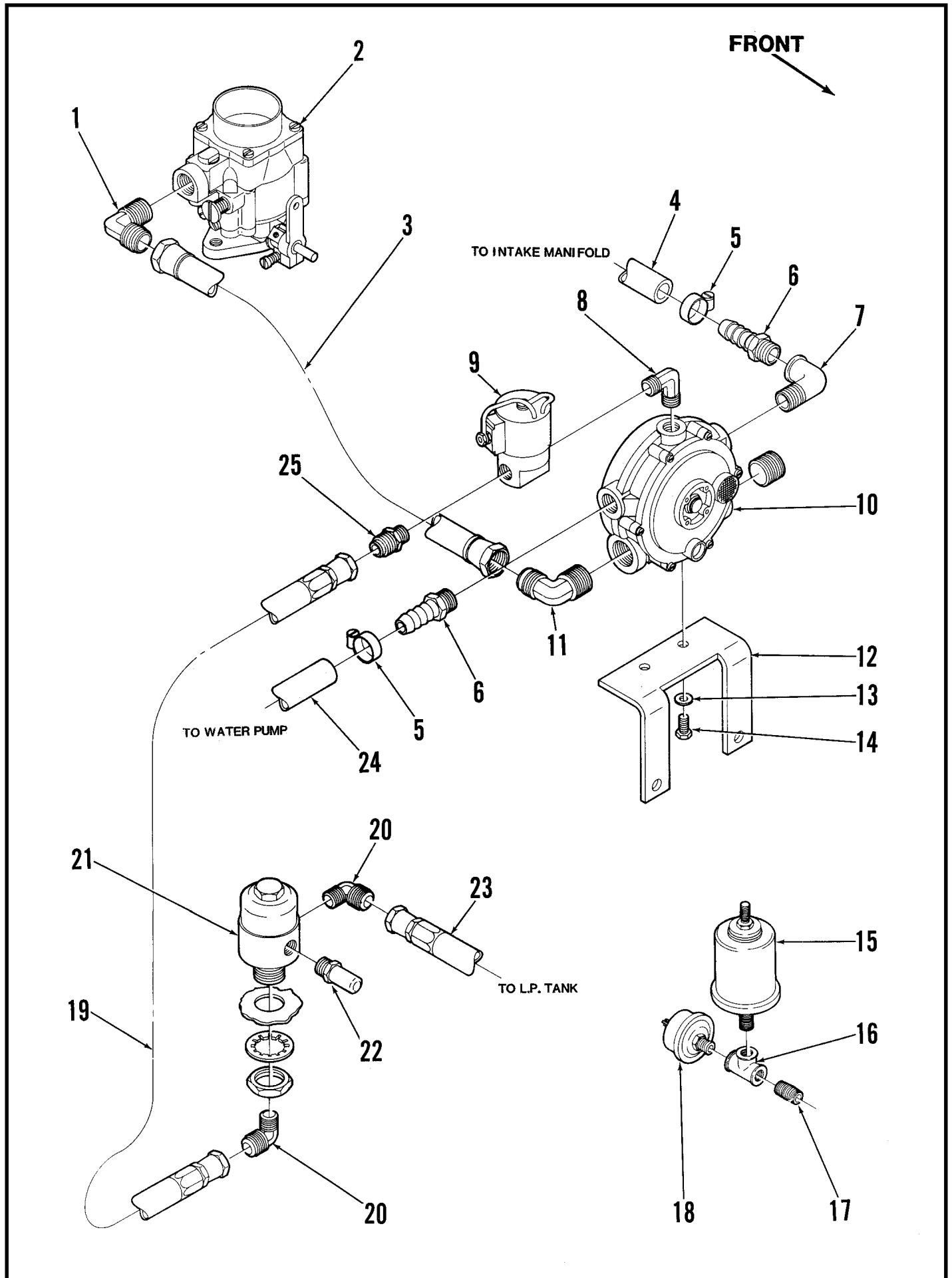


AIR CLEANER

Item	Part No.	Qty	Description
1	56478710	1	Air Cleaner (with Elements)
*	56478720	1	Primary Element
*	56478722	1	Secondary Element
2	56150231	1'	Tube (30 cm)
3	56104299	1	Barb
4	56478461	1	Service Indicator
5	56111309	1	Elbow
6	56900046	1	Tee
7	56462234	1	Hose
8	56440213	2	Clamp
9	56480650	2	Mounting Band
10	56463442	1	Air Filter Plate
11	56002708	4	1/4-20 Nyl Loc Nut
12	56002098	4	1/4 Flat Washer
13	56002507	4	1/4-20 X 3/4 Screw
14	56463451	1	Air Inlet Hood
15	56456797	1	Hose Clamp
16	56463445	1	Air Filter Cover
17	56463449	1	Gasket

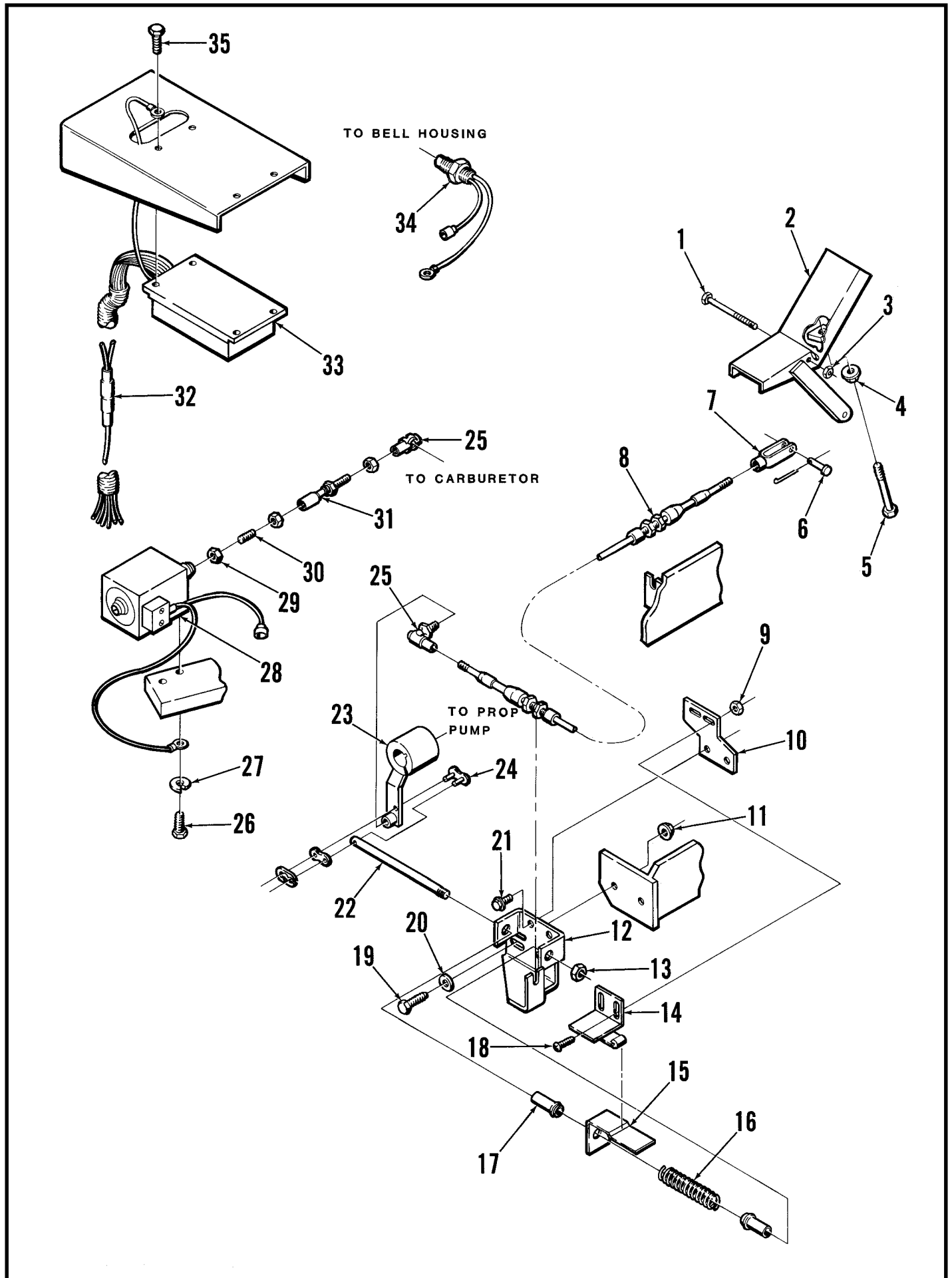
* = Not Shown

Note: The first machine with the external engine air inlet is SN 528801. To update earlier machines, order external engine air inlet kit PN 56463487.



L.P. SYSTEM

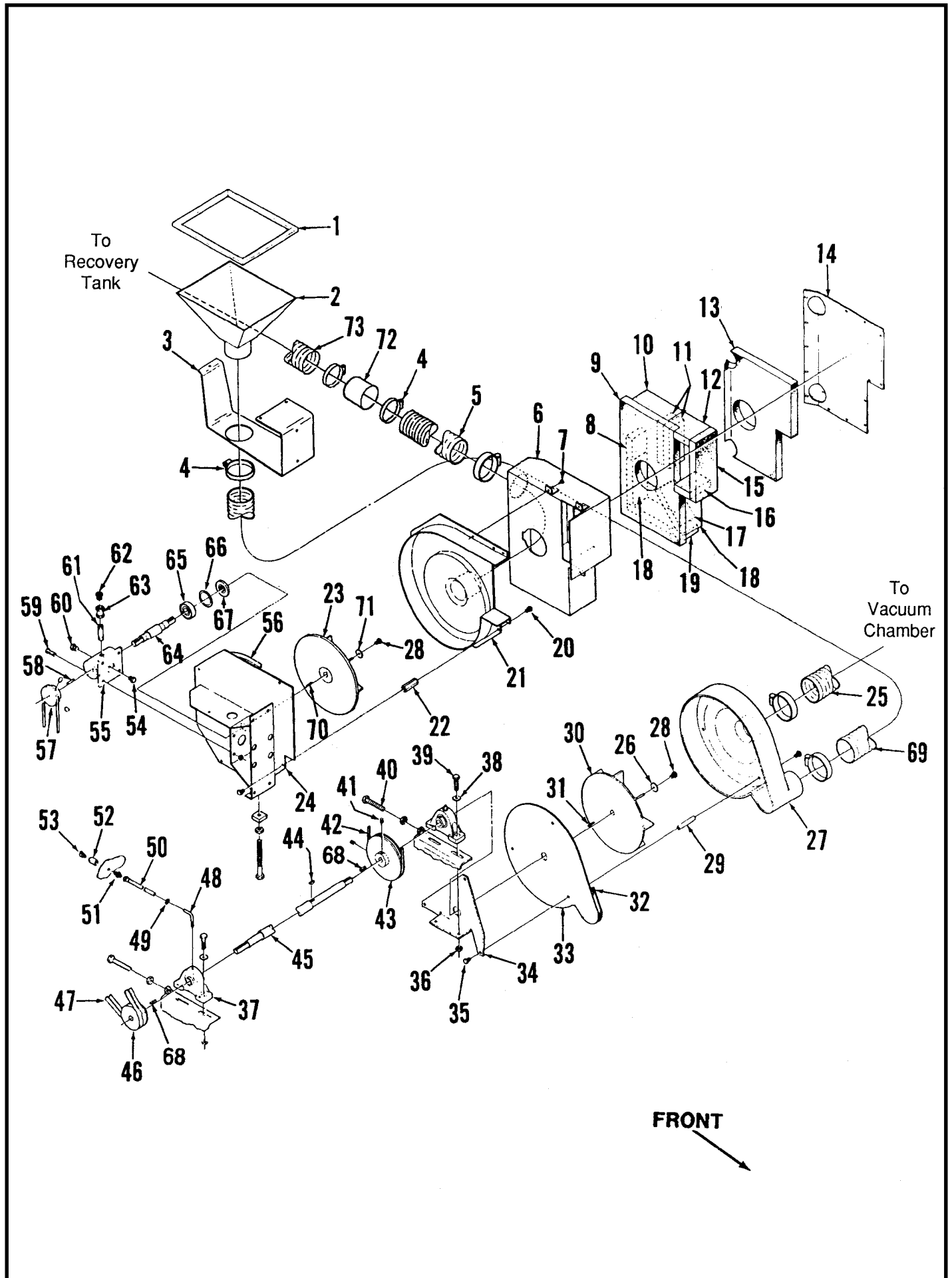
Item	Part No.	Qty	Description
1	56456604	1	Elbow (before SN 1055452)
*	56443972	1	Barb (after SN 1055451)
2	56462060	1	Carburetor
*	56463438	1	Throttle Return Spring Kit
3	56492203	1	Hose
4	56462069	1	Hose (before SN 1055452)
*	56456596	1	Hose (after SN 1055451)
5	56112771	4	Hose Clamp
6	56456436	2	Barb
7	56900021	1	Elbow
8	56456610	1	Elbow
9	56456626	1	Shut Off Valve
10	56456628	1	Regulator
11	56456602	1	Elbow
12	56462059	1	Bracket
13		2	1/4 Flat Washer
14		2	1/4 - 20 x 1/2 Screw
15	56478698	1	Oil Pressure Sender
16	56752020	1	Tee
17	56750746	1	Nipple
18	56493146	1	Pressure switch
19	56462885	1	Hose
20	56256608	2	Elbow
21	56456622	1	L.P. Filter
22	56456624	1	Vent
23	56462886	1	Hose
24	56462070	1	Hose
25	56456598	1	Connector



GOVERNOR & DRIVE PEDAL LINKAGE

Item	Part No.	Qty	Description
1		1	1/4-20 x 3 Screw
2	56497313	1	Drive Pedal
*	56756318	2	Pedal Bearing
3		1	1/4-20 Nut
4		1	3/8-16 Nut
5		1	3/8-16 x 2 3/4 Bolt
6	56493008	1	Pin
		1	3/32 x 3/4 Cotter Pin
7	56492543	1	Clevis (with Pin & Key)
8	56462056	1	Cable
9		2	#6-32 Nut
10	56462095	1	Bracket
11		2	1/4-20 Nut
12	56462092	1	Bracket
13		1	3/8-16 Locknut
14	56462075	1	Squeegee Lift Switch
15	56462096	1	Squeegee Lift Switch Actuator
16	56373869	1	Spring
17	56462088	2	Bushing
18		2	#6-32 x 1/2 Screw
19		2	1/4-20 x 3/4 Screw
20		2	1/4 Washer
21		2	1/4-20 x 1/2 Screw
22	56462087	1	Centering Shaft
23	56462090	1	Lever
24	56445096	1	Link Connector
25	56488290	2	Ball Joint
26		2	5/16-18 x 1 Bolt
27		2	5/16 Lock Washer
28	56484288	1	Actuator TSB 645 F-13
29		3	#10-32 Nut
30	56484267	1	Rod
31	56484287	1	Ball Joint
32	56484290	1	Resistor
33	56484285	1	Elect. Governor TSB 597, G-8 / TSB 645 F-13
34	56484289	1	Governor Sensor
35		4	#10-24 x 3/4 Screw

* = Not Shown



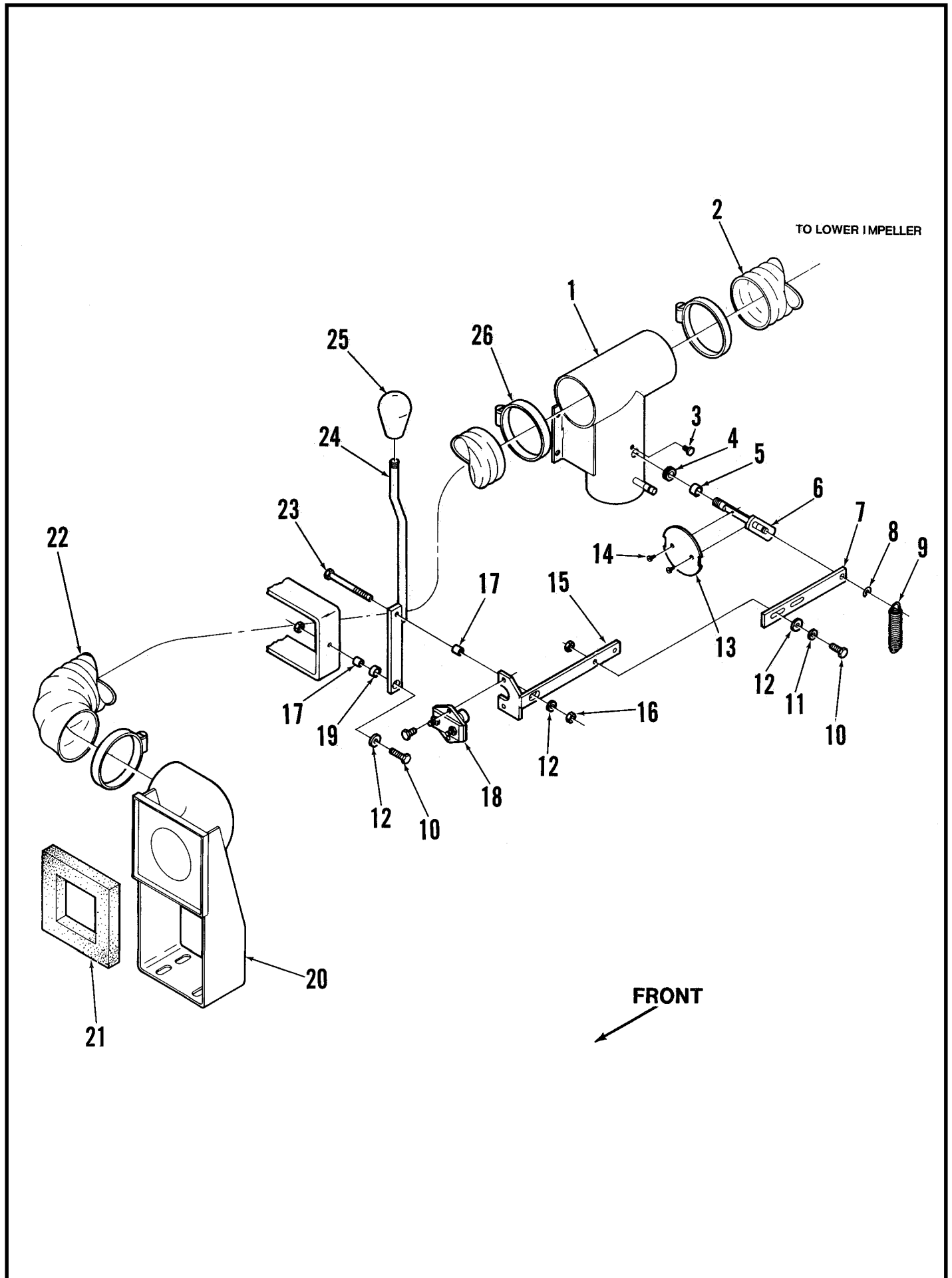
VACUUM IMPELLERS

Item	Part No.	Qty	Description	Item	Part No.	Qty	Description
1	56483549	4'	Gasket Material (1.2 M)	38		4	3/8 Flat Washer
2	56462701	1	Funnel	39		4	3/8-16 x 1 1/2 Bolt
3	56462700	1	Bracket	40		3	3/8-16 x 2 3/4 Bolt
4	56352829	8	Hose Clamp	41		6	5/16-18 x 1/4 Set Screw
5	56462245	1	Hose	42	56458684	1	Belt
6	56462118	1	Muffler Box (old style)	43	56458688	1	Pulley TSB 579, G-11
	56463553	1	Muffler Box (new style) Note #1	44	56124028	1	Woodruff Key
7		2	#10-24 x 1/2 Screw	45	56462024	1	Shaft TSB 579, G-11
8	56458706	1	Sound Reduction Foam	46	56462064	1	Pulley, 3 inch TSB 579, G-11
9	56462122	1	Sound Reduction Foam				(serial #478511 and before)
10	56458700	1	Sound Reduction Foam		56463333	1	Pulley, 2-1/2 inch TSB 579, G-11
11	56458697	2	Sound Reduction Foam				(serial #478512 and after)
12	56458705	1	Sound Reduction Foam	47	56462888	1	Belt (matched set of 2)
13	56462121	1	Sound Reduction Foam	48	56462324	1	Tube
14	56463469	1	Cover (old style) Note #2	49	56756364	1	Hose Clamp
	56463557	1	Cover (new style) Note #2	50	56462325	1	Hose
15	56458703	1	Sound Reduction Foam	51	56462323	1	Connector
16	56458704	1	Sound Reduction Foam	52	56749649	1	Connector
17	56458701	1	Sound Reduction Foam	53	56101118	1	Lube Fitting
18	56458699	2	Sound Reduction Foam	54	56481546	1	Plug
19	56458702	1	Sound Reduction Foam	55	56458612	1	Housing TSB 643, G-2
20		8	1/4-20 x 1/2 Screw	56	56463473	3.5'	U-Channel Trim (1.06 M)
21	56462114	1	Impeller Housing (old style)	57	56458690	1	Pulley
*	56463011	1	Elbow (for #21)	58	56740168	2	Key
	56463014	1	Impeller Housing (new style)	59		4	5/16-18 x 3/4 Bolt
22	56457339	4	Spacer	60	56458670	1	Sight Glass
23	56458622	1	Wet Pick-up Impeller	61	56369624	1	Nipple
24	56458602	1	Mounting Bracket	62	56458654	1	Breather
25	56462246	1	Hose	63	56220526	1	Coupler
26	56159387	2	Washer	64	56458626	1	Shaft
27	56482217	1	Shroud	65	56900136	2	Bearing
28	56002922	2	1/4-20 x 5/8 Locking Screw	66	56444731	2	Retaining Ring
29	56478767	3	Spacer	67	56458624	2	Seal
30	56478668	1	Dust Control Impeller	68	56370010	2	Key
31	56158135	2	Key	69	56469027	1	Hose
32	56463473	3.5'	U-Channel Trim (1.06 M)	70	56740168	1	Key
33	56482321	1	Plate	71	56454626	1	Washer
34	56462093	1	Bracket TSB 579, G-11	72	56457991	1	Orifice Tube
35		6	1/4-20 x 5/8 Screw				
36		7	3/8-16 Nut				
37	56494506	2	Pillow Block TSB 579, G-11				

* = Not Shown

Note #1: Muffler box PN 56463553 will fit any machine.

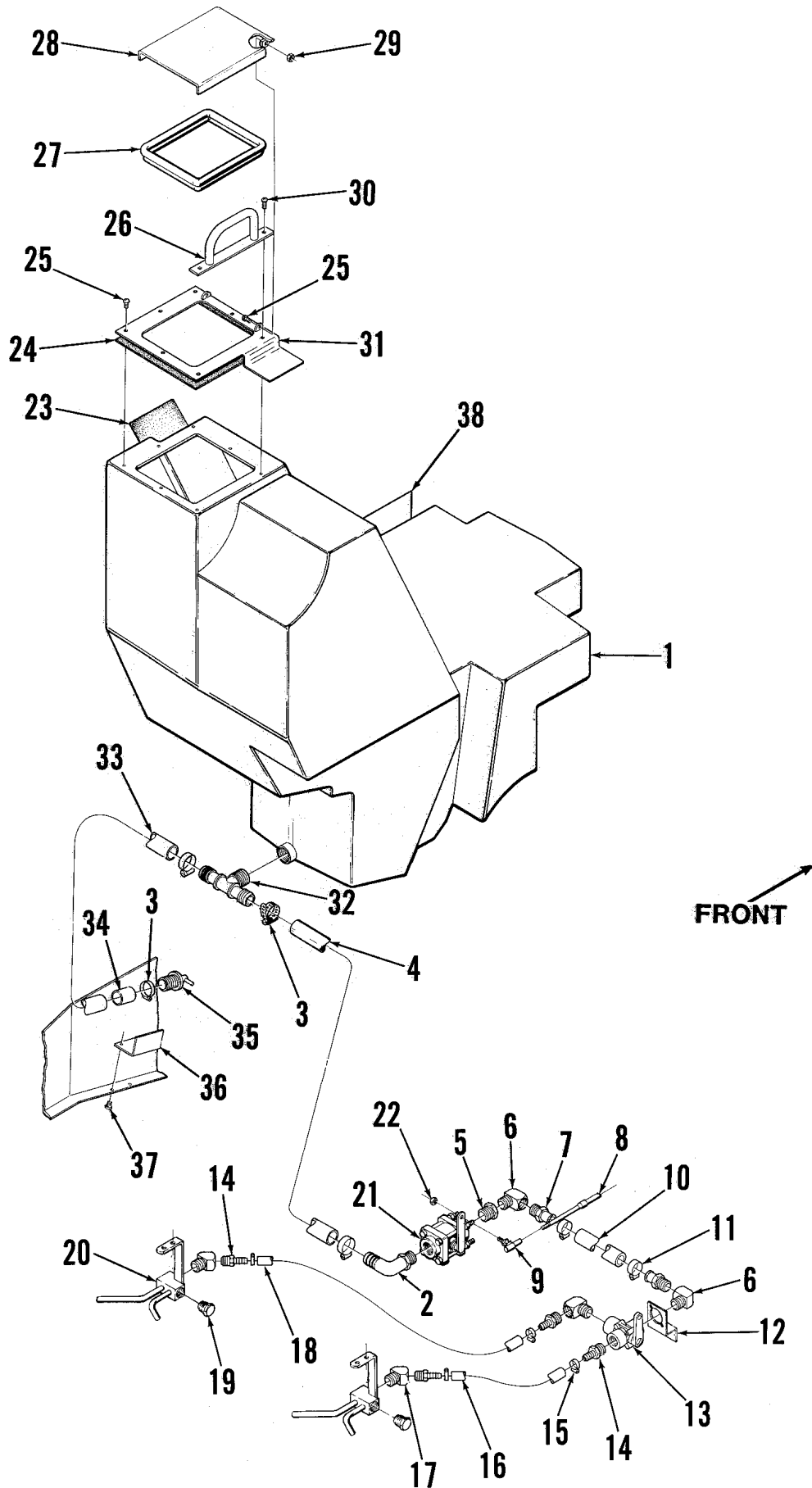
Note #2: Cover PN 56463469 fits muffler box PN 56462118 only. Cover PN 56463557 fits muffler box PN 56463553 only.



DUST CONTROL SHUT-OFF

Item	Part No.	Qty	Description
1	56462169	1	Vacuum Chamber
2	56462246	1	Hose
3		1	#10-24 x 1/4 Screw
4	56329098	2	Bearing
5	56232181	1	Bushing
6	56462175	1	Shaft
*	56453771	1	Locknut
7	56462185	1	Strap
8	56373797	1	Retaining Ring
9	56365068	1	Spring
10		3	1/4-20 x 1 Screw
11		2	1/4 Lock Washer
12		4	1/4 Washer
13	56469208	1	Plate
14		2	#6-32 x 3/8 Screw
15	56462180	1	Linkage
16		4	1/4-20 Nut
17	56151106	2	Bushing
18	56441555	1	Shaker Switch
19	56368970	1	Bearing
20	56462176	1	Dust Tube
21	56462168	1	Gasket
22	56462164	1	Hose
23		1	1/4-20 x 2 3/4 Screw
24	56462182	1	Lever
25	56492792	1	Knob
26	56352829	3	Hose Clamp

* = Not Shown

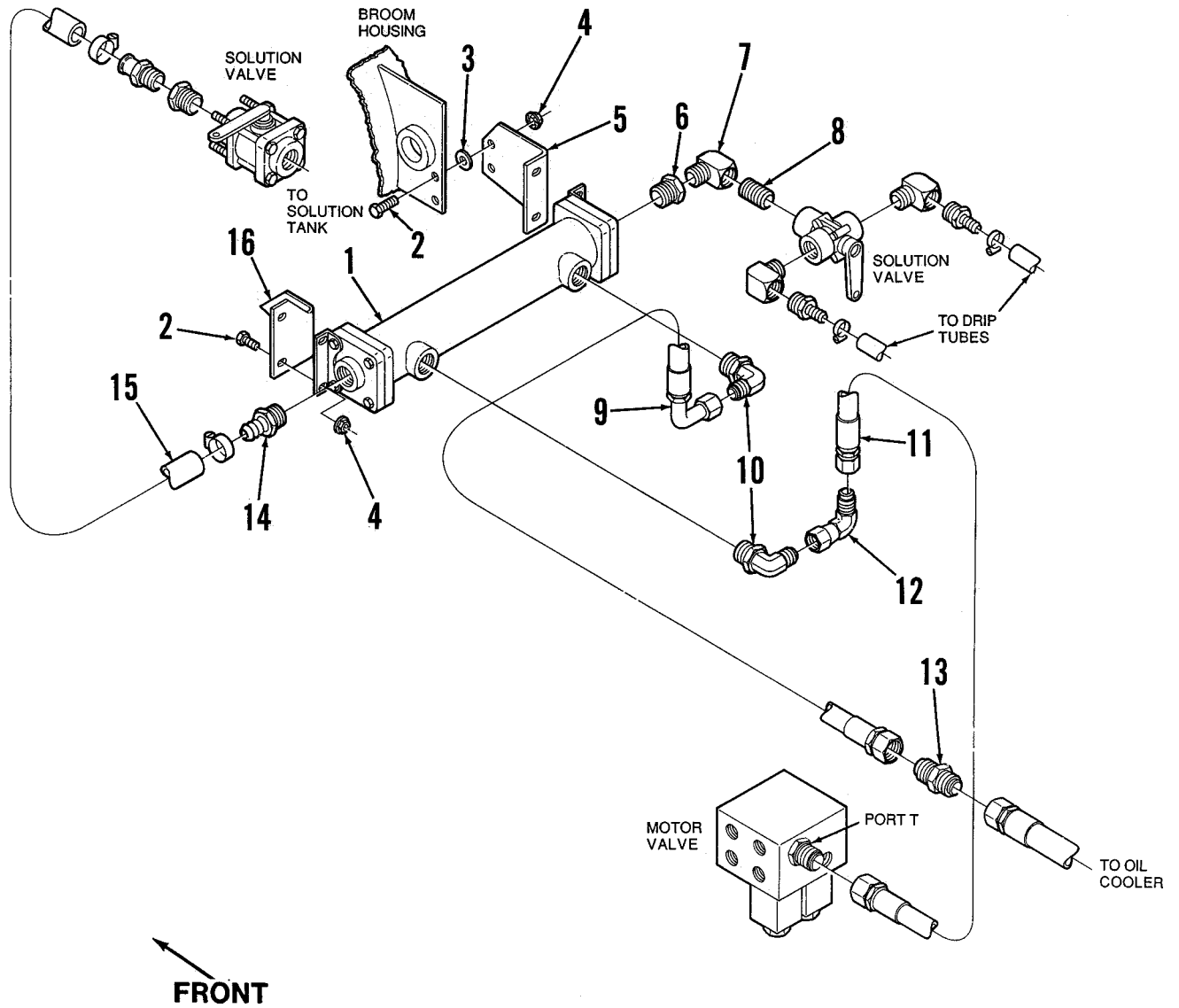


STANDARD SOLUTION SYSTEM

Item	Part No.	Qty	Description	Item	Part No.	Qty	Description
1	56462525	1	Solution Tank (See Note #2)	22		1	#10-32 Nut
	56462528	1	Solution Tank Assembly	23	56015092	1	Decal, Left Stripe
2	56458431	2	Barb	24	56300314	3'	Gasket Material (1 M)
3	56244969	2	Hose Clamp	25		7	1/4-20 x 1/2 Brass Screw
4	56456831	1	Hose	26	56462531	1	Handle
5	56900479	1	Adapter	27	56483549	3'	Gasket Material (1 M)
6	56742125	3	Elbow	28	56462537	1	Cover (See Note #1)
7	56900648	2	Barb	29		2	1/4-20 Brass Nut
8	56488292	1	Cable	30	56900737	2	Sealing Washer
9	56488290	1	Ball Joint	*		2	1/4-20 Nut
10	56462857	1	Hose	*		2	1/4-20 x 3/4 Screw
11	56131601	2	Hose Clamp	31	56462534	1	Plate
12	56453936	1	Bracket	32	56462953	1	Tee
13	56454612	1	Valve	33	56260828	1	Hose
14	56118117	4	Barb	34	56261297	1	Tube
15	56112771	4	Hose Clamp	35	56260098	1	T-Plug
16	56462681	1	Hose	36	56462964	1	Bracket
17	56900240	2	Elbow	37		2	#10-24 x 1/2 HP-5 Screw
18	56462682	1	Hose	38	56015095	1	Decal
19	56462850	2	3/4 Pipe Plug				
20	56462349	2	Solution Manifold				* = Not Shown
21	56456617	1	Valve (with Handle)				
	56462529	1	Handle				

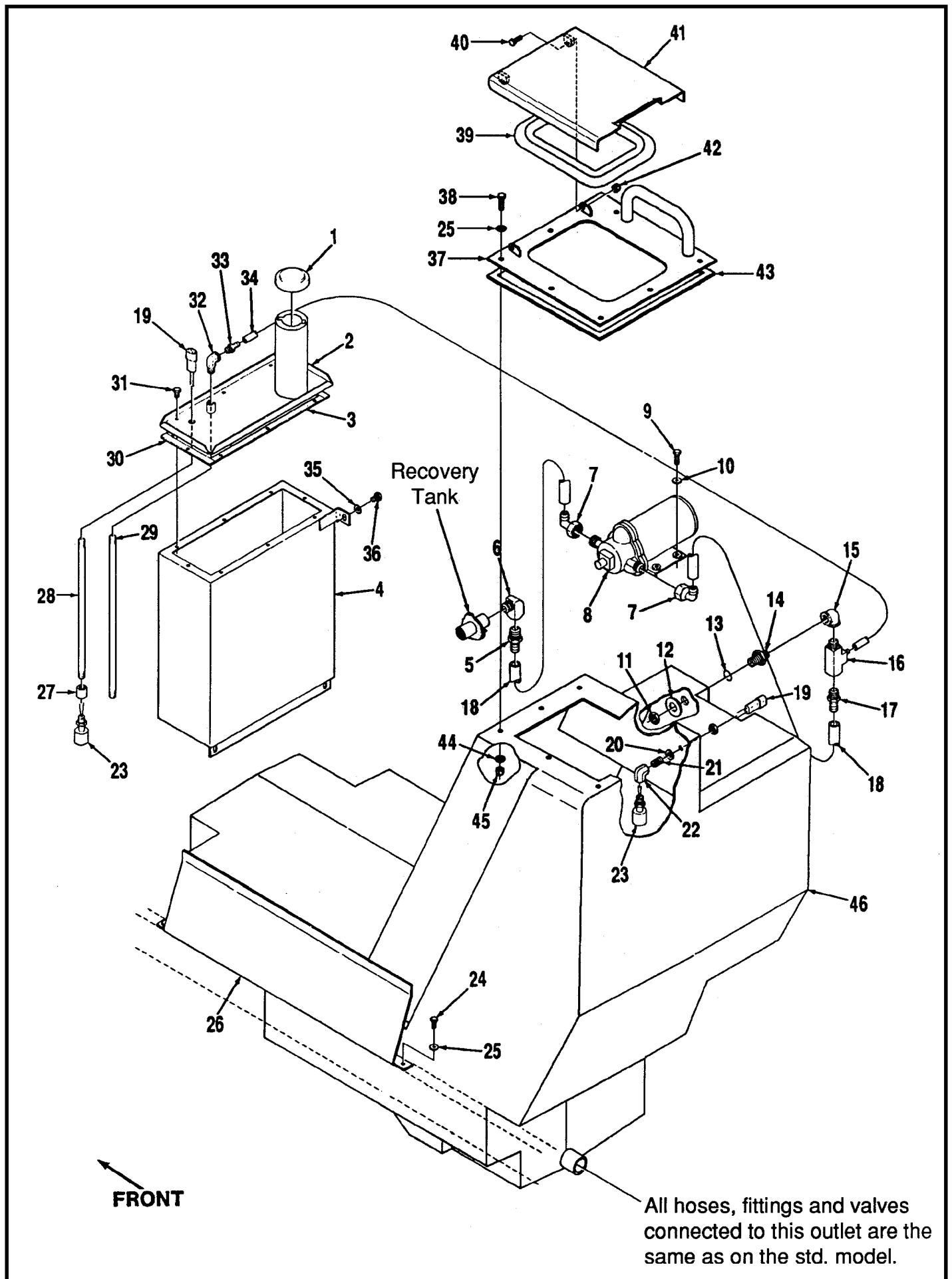
Note #1: A 1/4" (6.3 mm) vent hole has been added to the center of the solution tank cover to assure constant solution flow.

Note #2: A solution tank support is used on all machines after SN 528801. To update earlier machines, order solution tank support kit PN 56463523.



SOLUTION HEATER

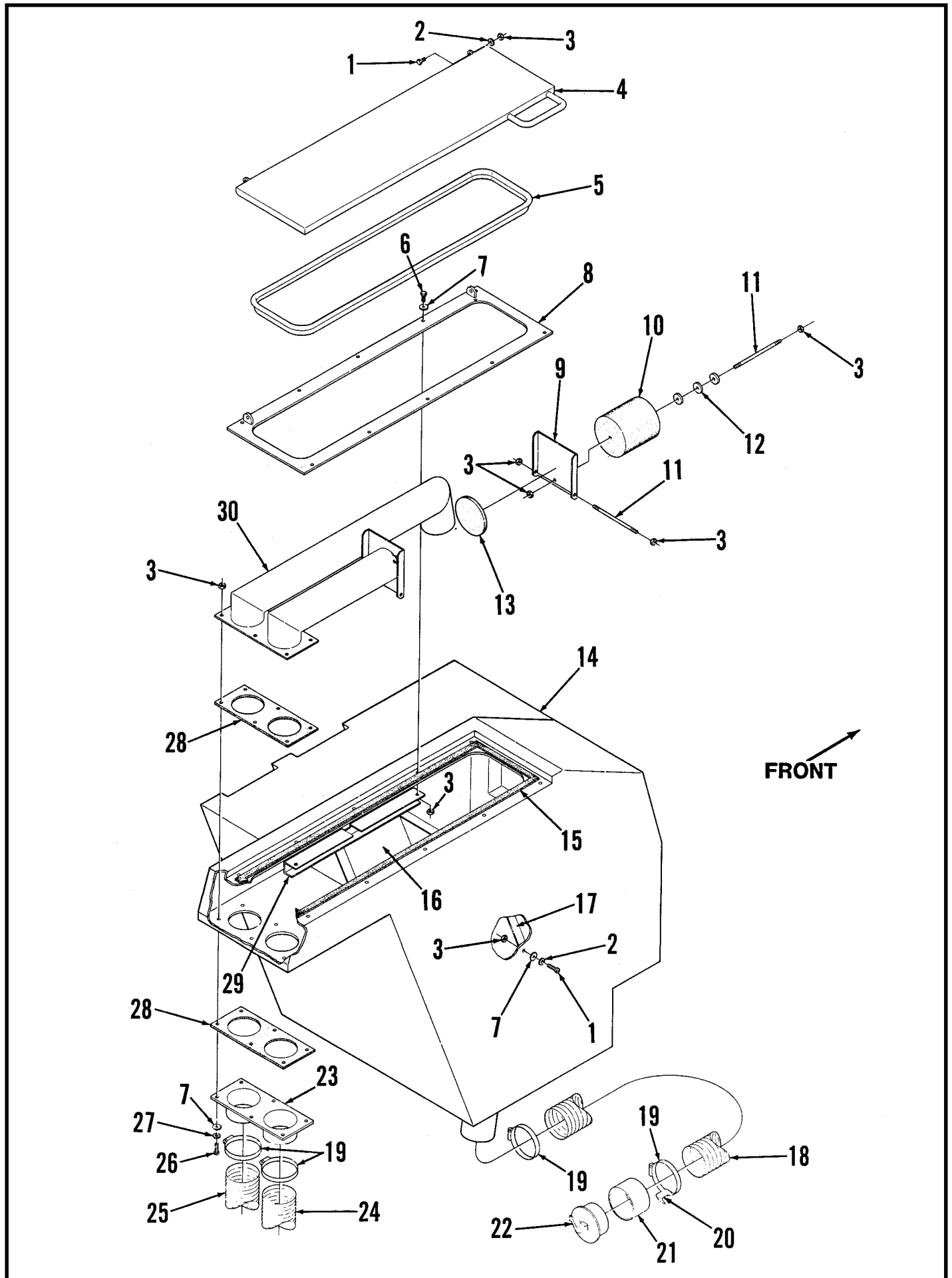
Item	Part No.	Qty	Description
	56462894	1	Heat Exchanger Assembly
1	56462851	1	Heat Exchanger
2		8	5/16-18 x 1 Bolt
3		4	5/16 Flat Washer
4		8	5/15-18 Whiz Nut
5	56462892	1	Right Bracket
6	56900870	1	Adapter
7	56742125	1	Elbow
8	56749229	1	Nipple
9	56497345	1	Hose
10	56900115	2	Elbow
11	56497178	1	Hose
12	56900304	1	Elbow
13	56900882	1	Connector
14	56444006	1	Barb
15	56100028	3'	Hose (1 M)
16	56462893	1	Left Bracket



HYDRO-MAX SOLUTION SYSTEM

Item	Part No.	Qty	Description
	56463111	1	Chemical Tank Assy (#1-4, 19, 23, 27-33)
	56463550	1	Solution tank Assy (#11-17, 19-23, 25, 37-46)
1	56478502	1	Filler Cap
2	56463256	1	Cover
3	56463337	2	Gasket
4	56463084	1	Chemical Tank
5	56118117	1	Barb
6	56742125	1	Elbow
7	56261246	2	Elbow
8	56459262	1	Pump
9	56002715	4	#10-24 x 1 HP-5 Screw
10	56002916	4	#10 SS Flat Washer
11	56745860	1	Nut
12	56512702	1	Washer
13	56742552	1	O-Ring
14	56172072	1	Nipple
15	56757310	1	Elbow
16	56260170	1	Chemical Injector
17	56443972	1	Barb
18	56456596	5'	Hose (1.5 m)
19	56462360	2	Connector
20	56162957	1	Washer
21	56750746	1	Nipple
22	56111295	1	Elbow
23	56456021	2	Switch
24	56900131	2	1/4-20 x 5/8 SS Screw
25	56002859	9	1/4 SS Flat Washer
26	56463259	1	Shield
27	56749649	1	Coupling
28	56463258	1	Pipe
29	56463262	1	Pipe
30	56463336	2	Gasket
31	56002989	8	#10-24 x 1/2 SS Screw
*	56328855	8	Nut Clip
32	56111309	1	Elbow
33	56755162	1	Metering Barb
34	56757375	6.5'	Tube (2 m)
35	56002938	3	5/16 SS Flat Washer
36	56002992	3	5/16-18 x 1/2 SS Bolt
37	56463551	1	Plate
38	56002883	7	1/4-20 x 1 SS Screw
39	56483549	3'	Bubble Seal (93 cm)
40	56002807	2	1/4-20 x 3/4 SS Screw
41	56462537	1	Cover
42	56002850	2	1/4-20 SS Nyl Loc Nut Thin
43	56300314	3'	Gasket (93 cm)
44	56900737	7	Sealing Washer
45	56002491	7	1/4-20 SS Nyl loc Nut
46	56463549	1	Solution Tank

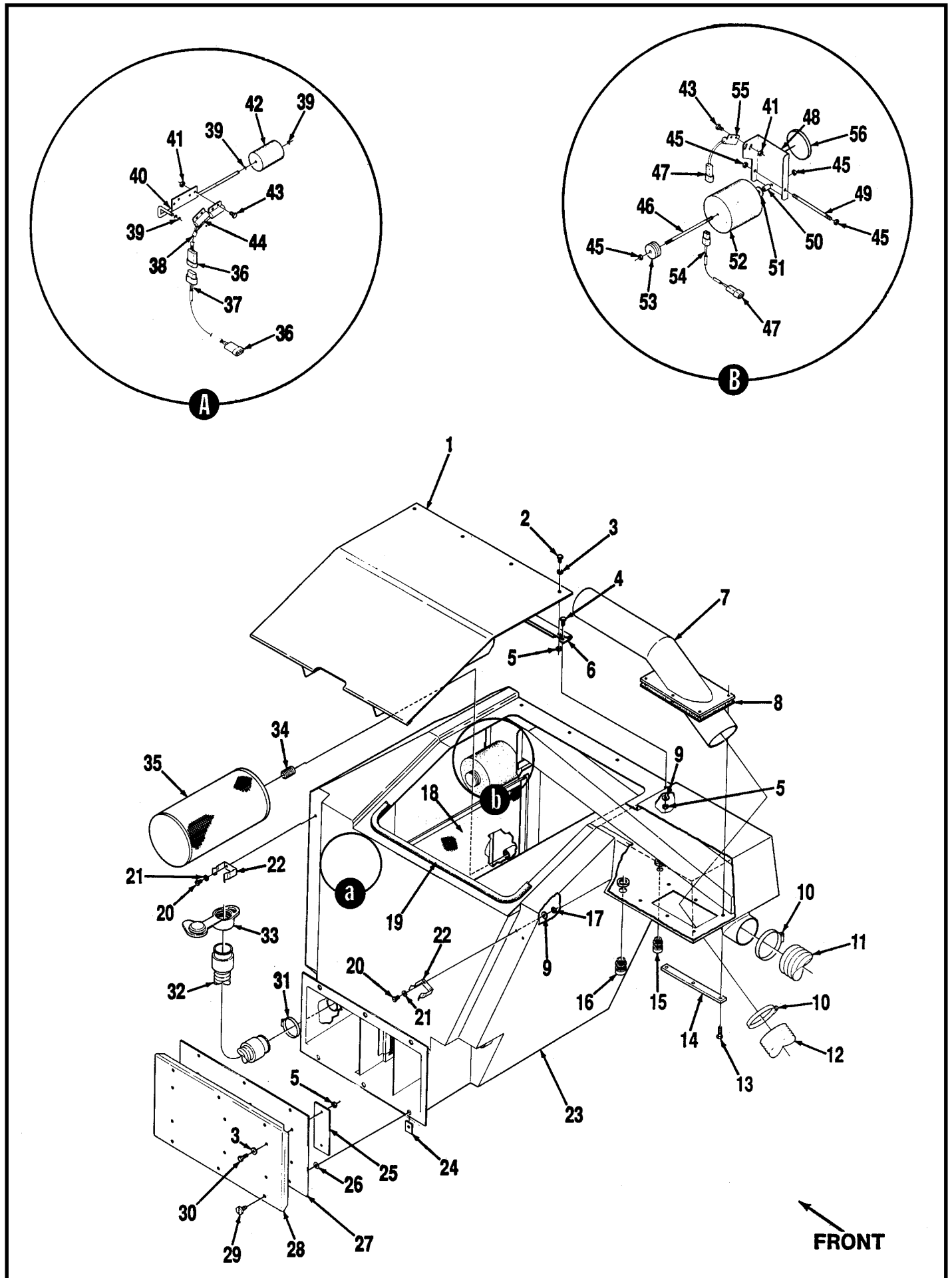
* = Not Shown



STANDARD RECOVERY TANK

Item	Part No.	Qty	Description
	56462543	1	Recovery Tank Assembly
1		8	1/4-20 x 5/8 Brass Screw
2		8	1/4 Flat Washer
3		28	1/4-20 Stainless Steel Nut
4	56462559	1	Cover
5	56483549	6'	Gasket (1.8 M)
6		10	1/4-20 x 1 Brass Screw
7	56900737	20	Sealing Washer
8	56462557	1	Plate
9	56462556	1	Float Plate
10	56385198	1	Float
11	56454724	2	Rod
12	56454721	3	Weight
13	56463106	1	Gasket
14	56462526	1	Recovery Tank (with #6-8, 15)
	56462474	1	Recovery Tank
15	56462998	7'	Gasket (2.5 M)
16	56462554	1	Baffle
17	56462544	1	Baffle
18	56462689	1	Drain Hose
19	56352829	4	Hose Clamp
20	56462775	1	Clip
21	56462774	1	Tube
22	56462703	1	Plug
23	56462553	1	Tube
24	56462245	1	Vacuum Hose
25	56462685	1	Squeegee Hose
26		6	1/4-20 x 7/8 Brass Screw
27		6	1/4 Flat Washer
28	56462546	2	Gasket
29	56463105	1	Channel
30	56462547	1	Tube

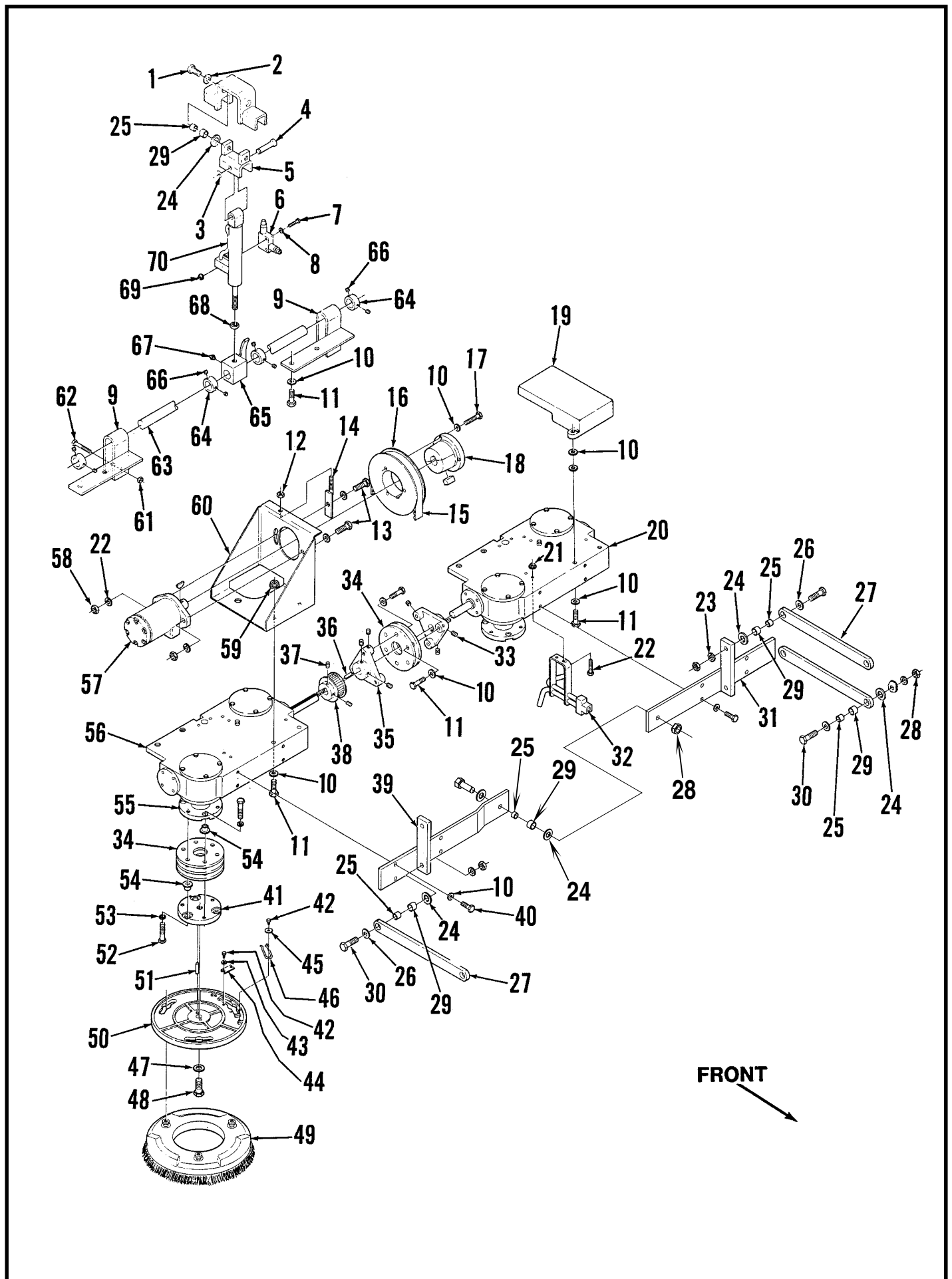
* = Not Shown



HYDRO-MAX RECOVERY TANK

Item	Part No.	Qty	Description	Item	Part No.	Qty	Description
	56463064	1	Recovery Tank Assy (#1-56)	31	56219932	2	Hose Clamp
1	56463264	1	Cover	32	56372222	2	Drain Hose
2	56002801	4	1/4-20 x 1/2 Stnlss Stl Screw	33	56324180	2	Drain Plug
3	56002859	10	1/4 Stnlss Stl Flat Washer	34	56749229	1	Nipple
4	56900131	4	1/4-20 x 5/8 Stnlss Stl Screw	35	56459321	1	Strainer
5	56002491	14	1/4-20 Stnlss Stl Nut		56463075	1	Switch Assy (#36-44, ex. 37)
6	56463073	1	Hinge	36	56462072	2	Connector
7	56463269	1	Tube	37	56463076	1	Cord
8	56463291	1	Gasket	38	56900680	10"	Conduit (25.7 cm)
9	56900737	8	Sealing Washer	39	56321125	4	Retainer Ring
10	56352829	2	Hose Clamp	40	56459320	1	Float Rod
11	56462245	1	Vacuum Hose	41	56001831	6	#10-24 Brass Nut
12	56462685	1	Squeegee Hose	42	56456023	1	Float
13	56002883	4	1/4-20 x 1 Stnlss Stl Screw	43	56209485	6	Screw
14	56463513	2	Bar	44	56388167	2	Mercury Switch
15	56323067	1	Strain Relief	45	56759060	4	Lock Nut
16	56323092	1	Strain Relief	46	56463507	1	Rod
17	56002836	4	#10-24 Stnlss Stl Nut	47	56462360	2	Connector
18	56463261	1	Filter	48	56463265	1	Float Plate
19	56483549	6.5'	Seal (2 m)	49	56454724	1	Rod
20	56209488	4	Screw	50	56261066	1	Spacer
21	56249992	4	Washer	51	56454626	1	Washer
22	56404336	2	Clamp	52	56385198	1	Float
23	56463117	1	Recovery Tank	53	56454721	3	Weight
24	56468960	6	Screw Receptacle	54	56463510	1	Cord
	56463070	1	Cover Assembly (#25-30, 3, 5)	55	56463508	1	Switch Assembly (includes #47)
25	56456039	3	Retainer Strap	56	56463106	1	Gasket
26	56448108	6	Retainer Washer	*	56152617	4	P-Clamp
27	56463069	1	Gasket				
28	56463071	1	Side Cover				
29	56463506	6	Fastener				
30	56002807	6	1/4-20 x 3/4 Stnlss Stl Screw				

* = Not Shown

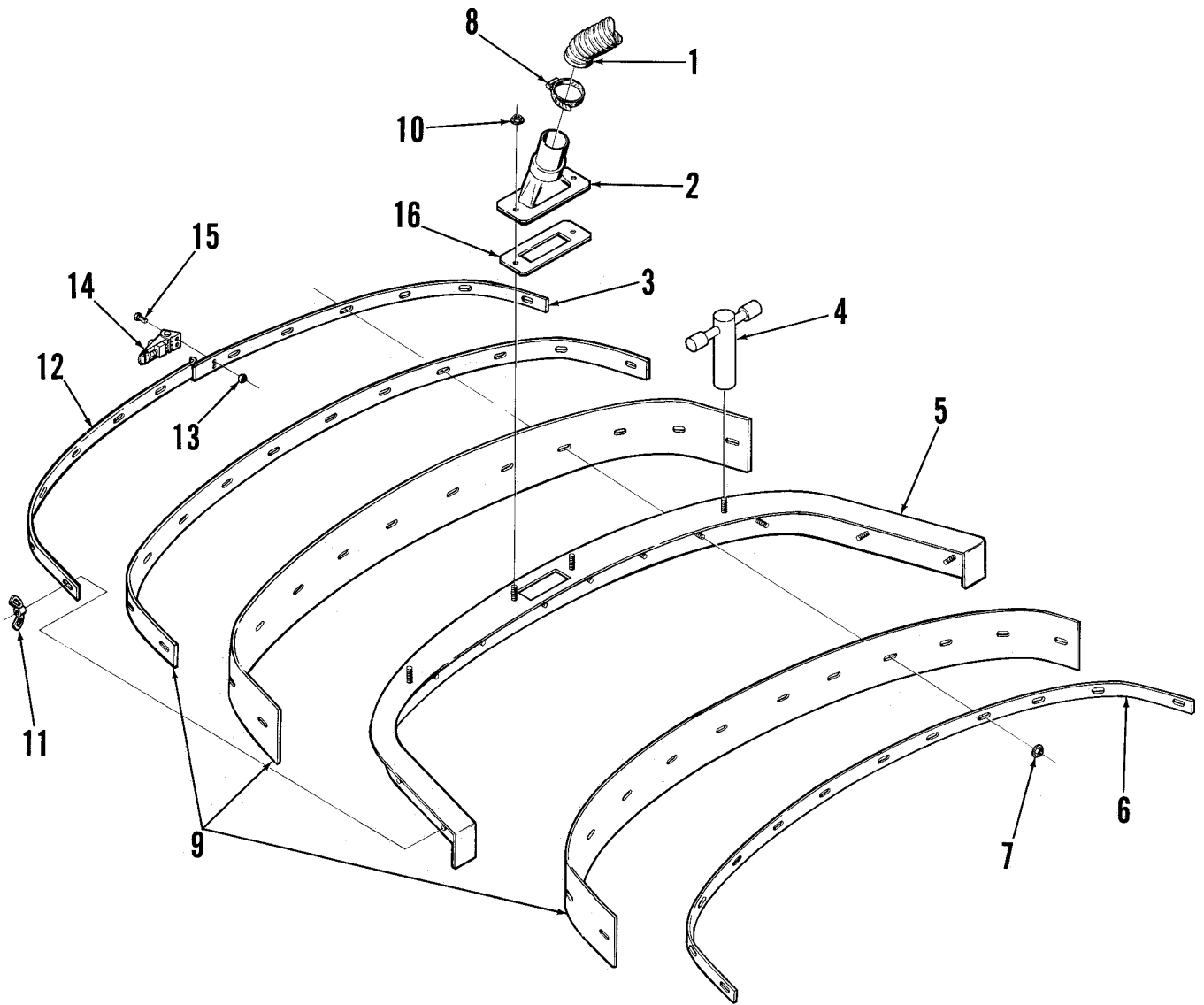


SCRUB BRUSH DRIVE SYSTEM

Item	Part No.	Qty	Description	Item	Part No.	Qty	Description
1		2	1/2-13 x 1 Bolt	44	56366455	4	Plate
2		4	1/2 Washer	45		4	Washer
3	56462265	1	Retaining Ring	46	56366463	4	Retainer
4	56462813	1	Pin	47		4	5/8 Washer
5	56462478	1	Bracket TSB 662, F-12	48		4	5/8-18 x 1 1/2 Bolt
6	56462502	1	Limit Switch	49	56505751	4	Magna Grit™ 46 Scrub Brush (standard)
7		2	#8-32 x 1-1/4 Screw	**	56505754	4	Prolene Scrub Brush
8		2	#8 Flat Washer	**	56505752	4	Dyna Grit™ 80 Scrub Brush
9	56462339	2	Bracket	**	56505756	4	Union Mix Scrub Brush
10		37	3/8 Washer	**	56505753	4	AgLite Grit™ 500 Scrub Brush
11		14	3/8-16 x 1 1/2 Bolt	**	56505755	4	Prolite Scrub Brush
12		1	3/8-16 Nut	**	56505750	4	Pad Holder
13		2	1/2-13 x 1 1/2 Bolt	**	56505757	4	MidGrit 240 Brush
14	56462238	1	Belt Tensioner	**	56505758	4	MidLite 180 Brush
15	56462329	1	Belt	**	56463010	1	Scarifier Kit (set of 4)
16	56462330	1	Pulley	**	56463009	1	Grinding Stone Kit (set of 4 holders, stones extra)
17		3	3/8-16 x 1 3/4 Bolt	50	56363189	4	Brush Holder
18	56462345	1	Split Taper Bushing (with Key)	51	56362077	8	Pin
19	56455462	3	Weight	52	56448271	24	Bolt
20	56462231	1	Left Gear Case TSB 560, G-12, TSB 613, G-4	53		24	3/8 Washer
21		4	5/16-18 Nut	54	56448268	24	Bushing
22		4	5/16-18 x 1 1/2 Bolt	55	56453861	4	Upper Coupler
23		11	1/2 Lock Washer	56	56462230	1	Right Gear Case TSB 613, G-4
24	56367192	11	Washer	57	56479606	1	Brush Drive Motor
25	56367206	11	Bushing	*	56479577	1	Seal Kit (for #57)
26	56367214	9	Washer	58		2	1/2-13 Nut
27	56462331	4	Parallel Arm	59		2	3/8-16 Nut
28	56441236	9	Nut	60	56462676	1	Motor Mount
29	56367168	11	Bearing	61		2	1/4-20 Nut
30		9	1/2 - 13 x 1 3/4 Bolt	62		2	1/4-20 x 2 1/4 Screw
31	56462333	1	Left Bracket	63	56462343	1	Lift Rod TSB 662, F-12
32	56462349	2	Solution Manifold	64	56463312	4	Collar TSB 662, F-12
33		10	5/16 - 8 x 1/2 Set Screw	65	56463309	1	Cylinder Block TSB 662, F-12
34	56104647	14	Flex Coupler	66		8	5/16-18 x 1/4 Set Screw
35	56462527	2	Universal Casting	67	56101737	1	Grease Fitting
36	56261230	2	Key 1/4 x 3-1/4	68		1	1/2-20 Nut
37		2	1/4-20 x 1/2 Set Screw	69		2	#8-32 Whiz Nut
38	56462524	1	Pulley	70	56462476	1	Cylinder TSB 662, F-12
39	56462336	1	Right Bracket				
40		8	3/8-16 x 1 1/4 Bolt				
41	56448263	4	Lower Coupler				
42		12	#10-24 x 1/2 Screw				
43		8	#10 Washer				

* = Not Shown

** = Optional Accessory

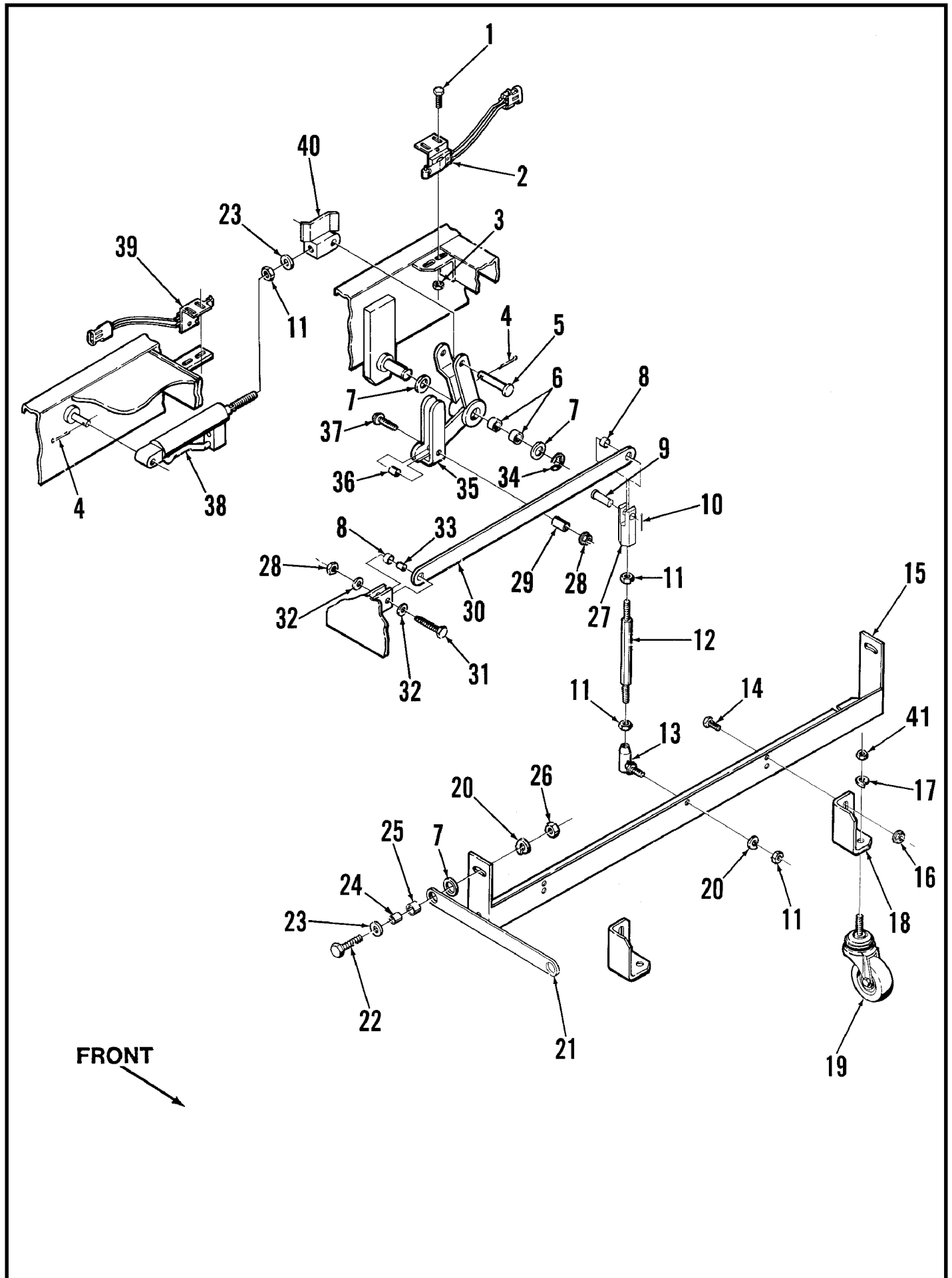


FRONT
↓

SQUEEGEE

Item	Part No.	Qty	Description
1	56462164	1	Hose 98" (2.5 m)
2	56462794	1	Inlet Adaptor
*	56459102	1	Inlet Adaptor (plastic)
3	56462790	1	Left Strap
4	56463431	2	Knob
5	56462777	1	Squeegee Tool
	56462819	1	Squeegee Assembly
6	56462792	1	Front Strap
7		12	1/4-20 Nut
8	56352829	1	Hose Clamp
9	56462877	1	Squeegee Kit, Standard
	56462878	1	Squeegee Kit, Oil Resistant - Optional
10	56386222	1	Knob
11	56201677	2	Wing Nut
12	56462791	1	Right Strap
13		2	#4-40 Nut
14	56471194	1	Latch
15		2	#4-40 x 1/2 Screw
16	56462798	1	Gasket
*	56463429	1	Latch Guard
*	56462793	2	Blade Support

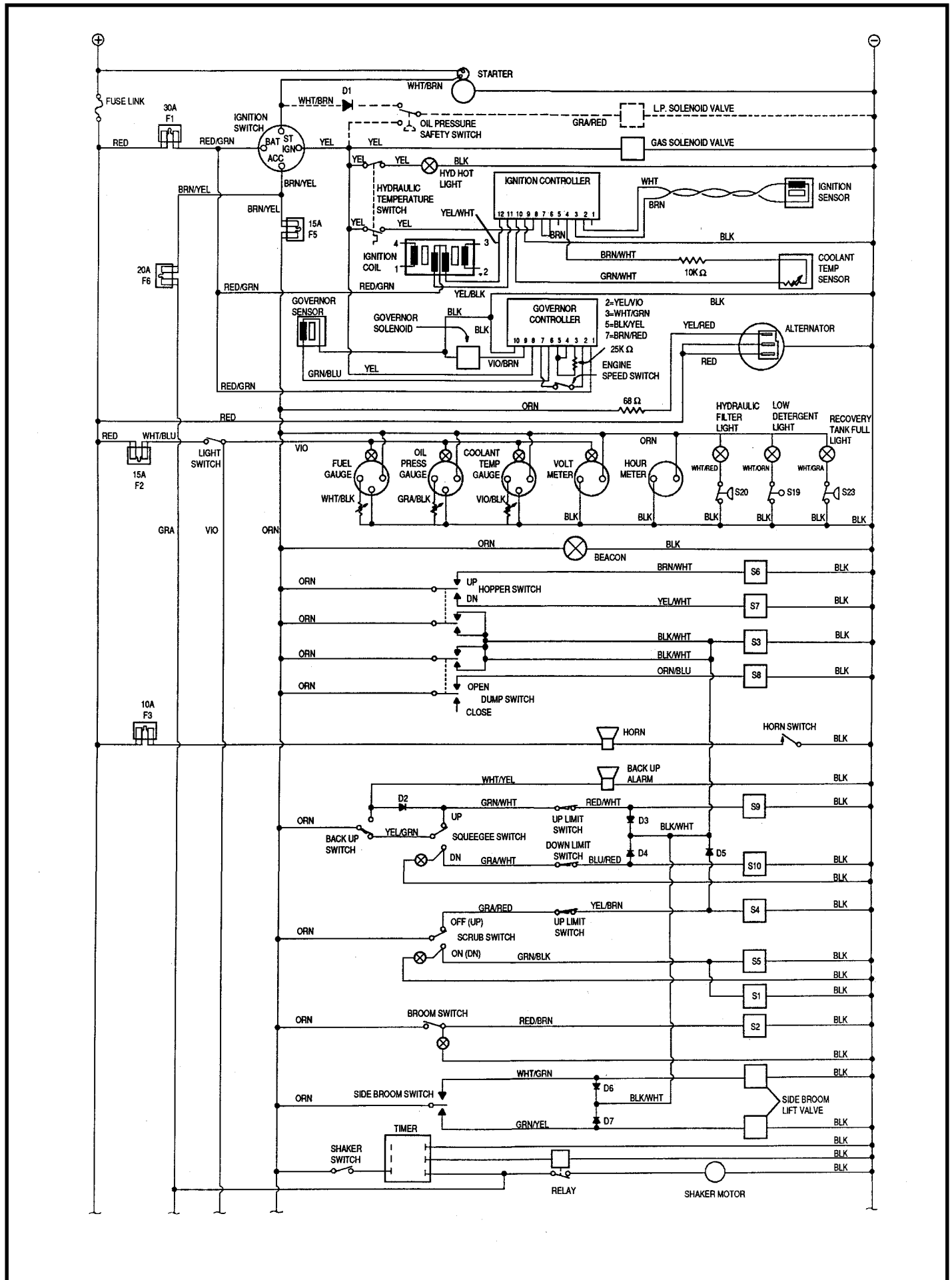
* = Not Shown



SQUEEGEE MOUNT & LIFT

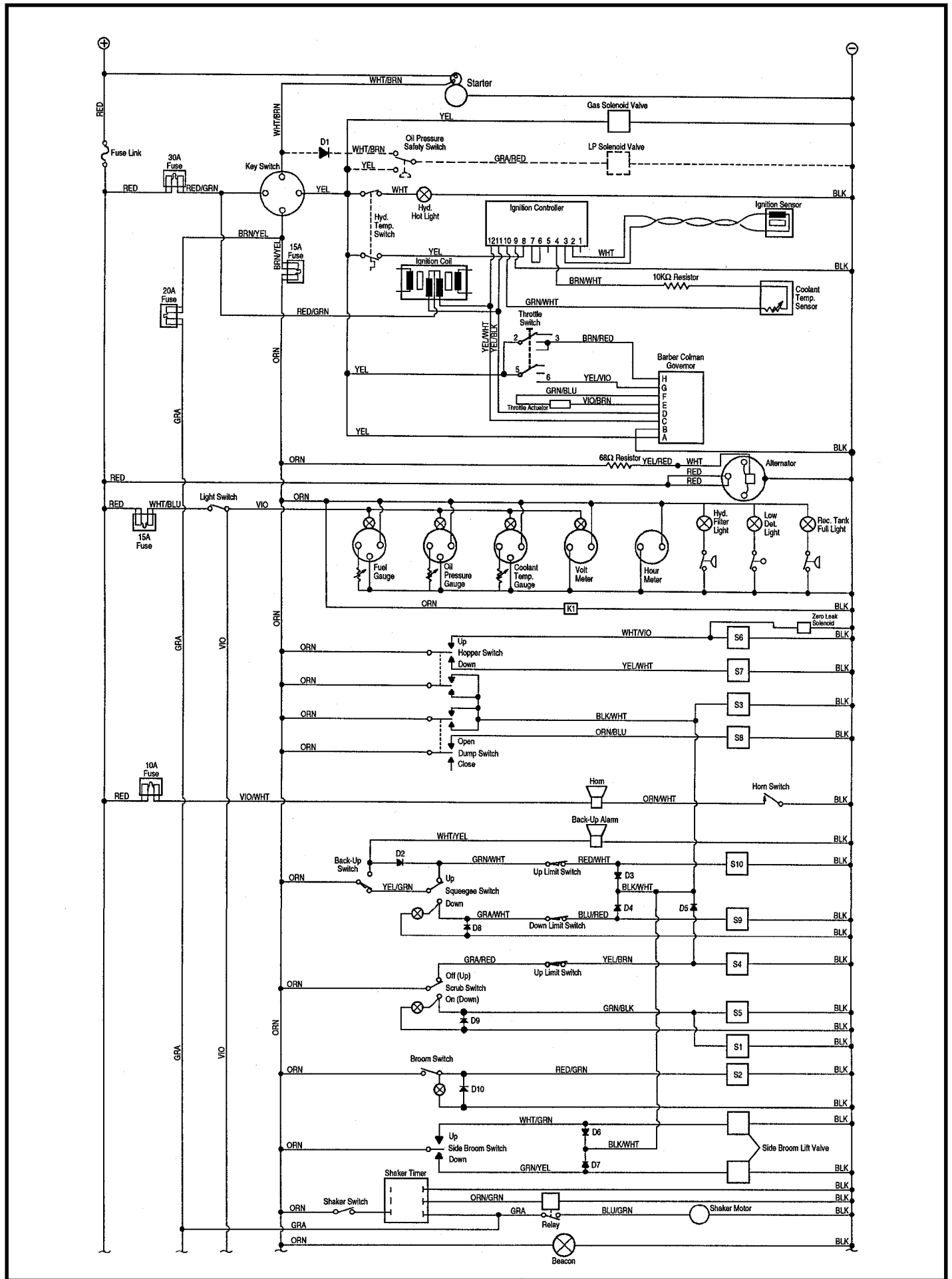
Item	Part No.	Qty	Description
1		4	#10-24 x 1/2 Screw
2	56462362	1	Squeegee Down Limit Switch
3		4	#10-24 Nut
4		2	1/8 x 1 Cotter Pin
5	56462813	1	Pin
6	56441406	2	Bushing
7	56367192	10	Washer
8	56366633	2	Bushing
9	56486733	1	Pin
10		1	1/8 x 1-1/2 Cotter Pin
11		4	1/2-20 Nut
12	56462947	1	Rod
13	56477813	1	Rod End
14		4	3/8-16 x 1 Bolt
15	56462800	1	Squeegee Mount
16		4	3/8-16 Nut
17	56001879	2	Wsh, Flt SAE 1/2 (See Note #1)
18	56462814	2	Bracket (See Note #1)
19	56407344	2	Caster (See Note #1)
20		9	1/2 Lock Washer
21	56462812	4	Arm
22		8	1/2-13 x 1-1/2 Bolt
23		9	1/2 Flat Washer
24	56367206	8	Bushing
25	56367168	8	Bearing
26		8	1/2-13 Nut
27	56463311	1	Yoke
28		2	5/16-18 Nut
29	56454249	1	Bushing
30	56462816	1	Lift Arm
31		1	5/16-18 x 1-1/4 Bolt
32		2	5/16 Flat Washer
33	56398618	1	Bushing
34	56249940	1	Retaining Ring
35	56462804	1	Arm
36	56360627	1	Bushing
37		1	5/16-18 x 1-1/2 Bolt
38	56492477	1	Squeegee Lift Cylinder
39	56462362	1	Squeegee Up Limit Switch
40	56462817	1	Actuator
41	56002770	2	Nut, Hex Nyl Loc 1/2-13 (See Note #1)

Note #1: The original caster had a threaded shaft of 3/8" this caster (56407344) has a 1/2" diameter shaft. When replacing a caster you will need to order a replacement 1/2" nut (56002770) and 1/2" washer (56001879), also the hole in (18) Bracket will have to be drilled out to a diameter of 1/2" to accommodate the new caster.



GAS & LP ELECTRICAL (before SN 1055452)

Part No.	Qty	Description	Part No.	Qty	Description
56462863	1	Alternator	56463096	1	Hydraulic Temperature Switch
56462366	1	Back-Up Alarm	56462887	1	Ignition Coil
56462075	1	Back-Up Switch	56462866	1	Ignition Controller
56441511	1	Battery	56478640	1	Ignition Key Switch
56489639	1	Beacon TSB 603, G-6	56456626	1	L.P. Solenoid Valve
56486600	1	Coolant Temp Gauge	56483117	1	Low Detergent Light
56481888	1	Coolant Temp Sender	56462356	1	Lower Wiring Harness
56493063	1	Diode (D1)	56484289	1	Magnetic Sensor (B)
56462355	1	Diode (D2)	56462368	1	Main Broom Switch
56462359	1	Diode Assembly (D3, D4, D5)	56462354	1	Main Wiring Harness
56462357	1	Diode Assembly (D6, D7)	56489592	1	Oil Pressure Gauge
56492802	1	Dump Switch	56493146	1	Oil Pressure Safety Switch
56462080	1	Engine Harness	56478698	1	Oil Pressure Sender
56260064	1	Engine Speed Switch	56483117	1	Recovery Tank Full Light
56489598	1	Fuel Gauge	56484290	1	Resistor (25K Ohm)
56478358	1	Fuel Level Sender	56462369	1	Resistor (68 Ohm)
56900229	1	Fuse 10 Amp	56462502	1	Scrub Brushes Up Limit Switch
56900230	1	Fuse 15 Amp	56462368	1	Scrub Switch
56900755	1	Fuse 20 Amp	56491820	1	Shaker Motor
56900283	1	Fuse 30 Amp	56491862	1	Shaker Relay
56484285	1	Governor Controller	56441555	1	Shaker Switch
56484288	1	Governor Solenoid	56491870	1	Shaker Timer
56462367	1	Hopper Cord Assembly	56492802	1	Side Broom Switch
56492802	1	Hopper Switch	56462362	1	Squeegee Down Limit Switch
56442054	1	Horn	56462368	1	Squeegee Switch
56441555	1	Horn Switch	56462362	1	Squeegee Up Limit Switch
56478363	1	Hour Meter	56462868	1	Starter
56483117	1	Hydraulic Filter Light	56462869	1	Starter Solenoid
56483117	1	Hydraulic Hot Light	56482044	1	Volt Meter

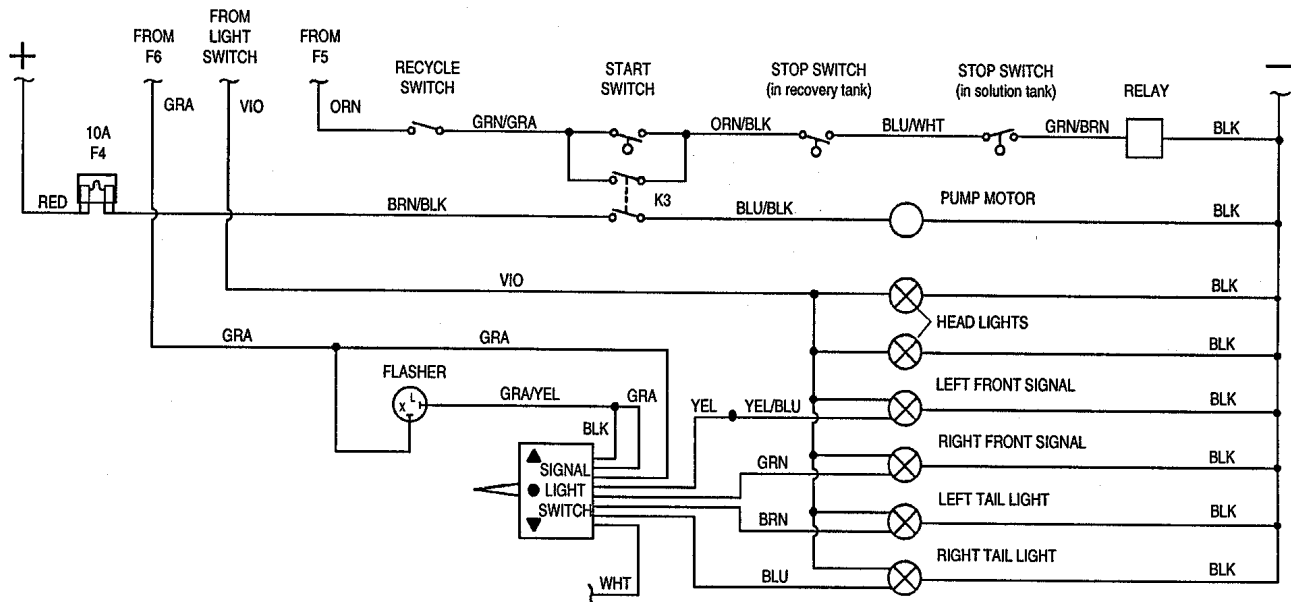


GAS & LP ELECTRICAL (after SN 1055451)

Part No.	Qty	Description	Part No.	Qty	Description
56462863	1	Alternator	56463096	1	Hydraulic Temperature Switch
56462366	1	Back-Up Alarm	56462887	1	Ignition Coil
56462075	1	Back-Up Switch	56462866	1	Ignition Controller
56441511	1	Battery	56478640	1	Ignition Key Switch
56489639	1	Beacon TSB 603, G-6	56456626	1	L.P. Solenoid Valve
56486600	1	Coolant Temp Gauge	56483117	1	Low Detergent Light
56481888	1	Coolant Temp Sender	56462356	1	Lower Wiring Harness
56493063	1	Diode (D1)	56484289	1	Magnetic Sensor (B)
56462355	1	Diode (D2)	56462368	1	Main Broom Switch
56462359	1	Diode Assembly (D3, D4, D5)	56462354	1	Main Wiring Harness
56462357	1	Diode Assembly (D6, D7)	56489592	1	Oil Pressure Gauge
56492802	1	Dump Switch	56493146	1	Oil Pressure Safety Switch
56455811	1	Engine Wiring Harness	56478698	1	Oil Pressure Sender
56455819	1	Throttle Switch	56483117	1	Recovery Tank Full Light
56489598	1	Fuel Gauge	56484290	1	Resistor (25K Ohm)
56478358	1	Fuel Level Sender	56462369	1	Resistor (68 Ohm)
56900229	1	Fuse 10 Amp	56462502	1	Scrub Brushes Up Limit Switch
56900230	1	Fuse 15 Amp	56462368	1	Scrub Switch
56900755	1	Fuse 20 Amp	56491820	1	Shaker Motor
56900283	1	Fuse 30 Amp	56491862	1	Shaker Relay
56455231	1	Barber Colman Governor	56441555	1	Shaker Switch
56455052	1	Throttle Actuator (gas)	56491870	1	Shaker Timer
56455049	1	Throttle Actuator (propane)	56492802	1	Side Broom Switch
56462367	1	Hopper Cord Assembly	56462362	1	Squeegee Down Limit Switch
56492802	1	Hopper Switch	56462368	1	Squeegee Switch
56442054	1	Horn	56462362	1	Squeegee Up Limit Switch
56468175	1	Horn Switch	56462868	1	Starter
56478363	1	Hour Meter	56462869	1	Starter Solenoid
56483117	1	Hydraulic Filter Light	56482044	1	Volt Meter
56483117	1	Hydraulic Hot Light			

DIESEL ELECTRICAL

Part No.	Qty	Description	Part No.	Qty	Description
56462863	1	Alternator	56483117	1	Hydraulic Filter Light
56462366	1	Back-Up Alarm	56483117	1	Hydraulic Hot Light
56462075	1	Back-Up Switch	56463096	1	Hydraulic Temperature Switch
56491902	1	Battery	56497754	1	Ignition Key Switch
56489639	1	Beacon TSB 603, G-6	56483117	1	Low Detergent Light
56486600	1	Coolant Temp Gauge	56462356	1	Lower Wiring Harness
56481888	1	Coolant Temp Sender	56462368	1	Main Broom Switch
56493063	1	Diode (D1)	56463368	1	Main Wiring Harness
56462355	1	Diode (D2)	56489592	1	Oil Pressure Gauge
56462359	1	Diode Assembly (D3, D4, D5)	56478698	1	Oil Pressure Sender
56462357	1	Diode Assembly (D6, D7)	56483117	1	Recovery Tank Full Light
56492802	1	Dump Switch	56484290	1	Resistor (25K Ohm)
56463369	1	Engine Wiring Harness	56462369	1	Resistor (68 Ohm)
56489598	1	Fuel Gauge	56462502	1	Scrub Brushes Up Limit Switch
56478358	1	Fuel Level Sender	56462368	1	Scrub Switch
56492109	1	Fuel Solenoid	56491820	1	Shaker Motor
56900229	1	Fuse 10 Amp	56491862	1	Shaker Relay
56900230	1	Fuse 15 Amp	56441555	1	Shaker Switch
56900755	1	Fuse 20 Amp	56491870	1	Shaker Timer
56900283	1	Fuse 30 Amp	56492802	1	Side Broom Switch
56463303	1	Glow Plug Indicator	56462362	1	Squeegee Down Limit Switch
56462367	1	Hopper Cord Assembly	56462368	1	Squeegee Switch
56492802	1	Hopper Switch	56462362	1	Squeegee Up Limit Switch
56442054	1	Horn	56463294	1	Starter
56441555	1	Horn Switch	56482044	1	Volt Meter
56478363	1	Hour Meter	56492130	1	Voltage Regulator



WIRING DIAGRAM (Hydro-Max & Accessories)

Part No.	Qty	Description
56900229	1	Fuse 10A (Hydro-Max)
56262551	1	Recycle Switch (Hydro-Max)
56456021	1	Start Switch (Hydro-Max)
56463075	1	Stop Switch (Hydro-Max)
56456021	1	Stop Switch (Hydro-Max)
56457888	1	Relay (Hydro-Max)
56459262	1	Pump (Hydro-Max)
56481543	2	Headlight
56100061	2	Tail Light