



Electronic Service Manuals

This electronic document is provided as a service to our customers. We do not create the contents of the information contained in this document. Should you have detailed questions pertaining to the information contained in this document, you may contact Michco, or the manufacturer which provided the original information in this electronic deliverable. Michco's only part in this electronic deliverable was the electronic assembly process.

You may contact Michco through the following methods:
Phone (517) 484-9312 or (800) 331-3339 MI, OH, IN only
2011 N. High St. -- Lansing, Michigan -- 48906
Fax: (517) 484-9836
Email: CustServ@Michco.com
Web site: www.Michco.Com
Parts Web site: www.FloorMachineParts.Com

Order Parts on Line at:
www.FloorMachineParts.Com

Directly to Parts & Service:
By Email: **Shop@Michco.com**
By Fax: (517) 702-2041
By Voice: Use numbers above.

Serving the Cleaning Industry Since 1922

Notice: All copyrighted material remains property of original owners, all trademarks are property of respective owners. Manuals are subject to Manufacturer's reproduction limitations. Originals or reproductions were provided by manufacturers through a request. We make no warranty as to the correctness of information provided in this document and you assume all risk.

RETRIEVER MODEL 5800B

THIS PARTS LIST IS FOR MACHINES
AFTER SERIAL NUMBER 254319.

PARTS LIST



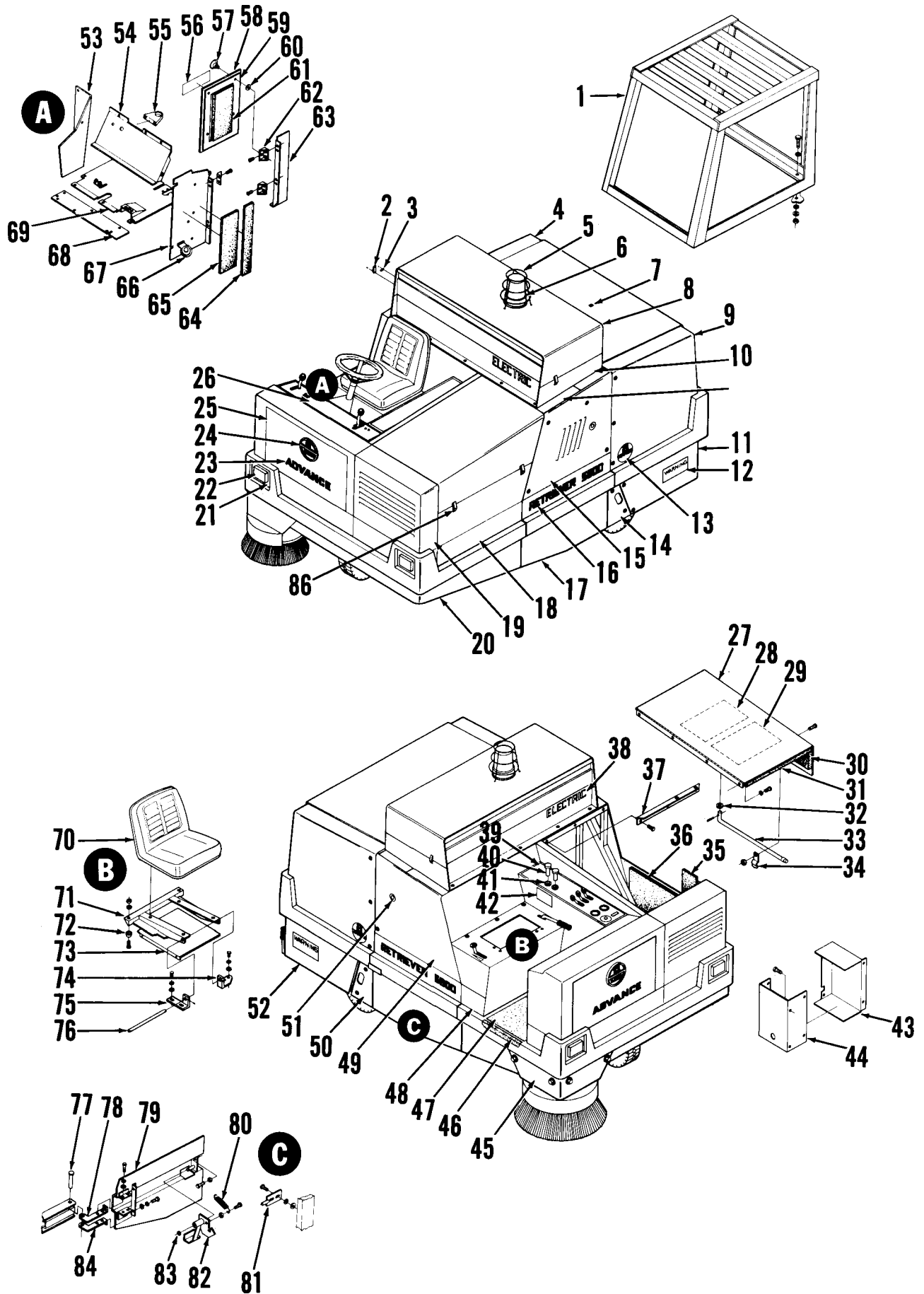
ADVANCE
MACHINE COMPANY®

INTERNATIONAL HEADQUARTERS, Plymouth, MN 55447-3408
EUROPE, Llantrisant, Pontyclun, Mid-Glamorgan CF7 8YZ Wales, United Kingdom
CANADA, 1295 Crestlawn Drive, Mississauga, Ontario L4W 1A9



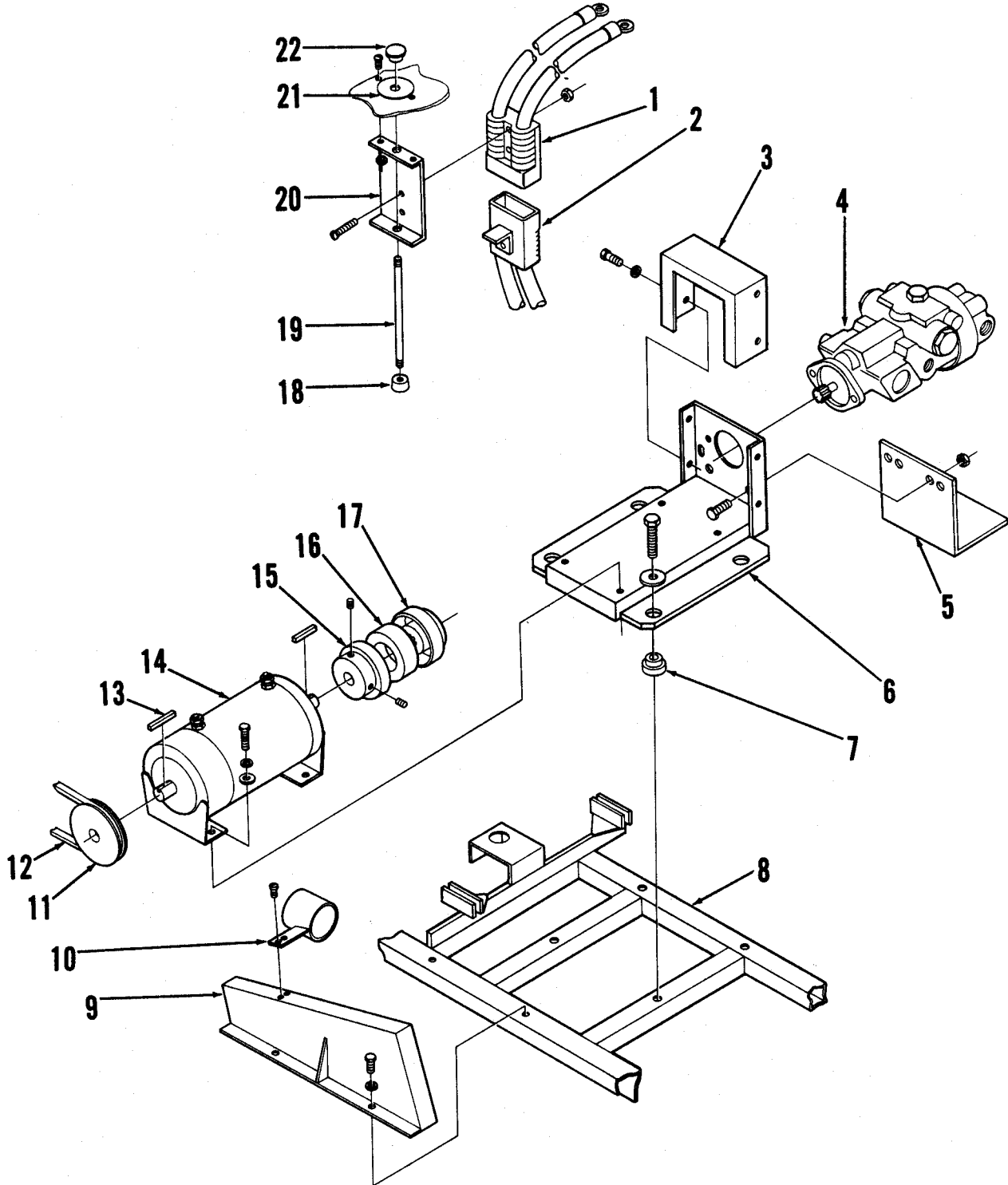
Index for Form Number 042179

Description	Location	page
Broom, Main	B5	15
Broom, Side	B7	17
Drive Pedal Linkage	A8	5
Dust Control Filter & Hopper	B9	19
Dust Control Impeller	A10	7
Electrical Panel	C1	25
Enclosed Cab	C3	27
Hydraulic Diagram	B11	21
Motor, Electric	A6	3
Outer Body	A4	1
Skirts & Broom Housing	B3	13
Wheel, Front Drive	A12	9
Wheel, Rear & Brakes	B1	11
Wiring Diagram	B13	23



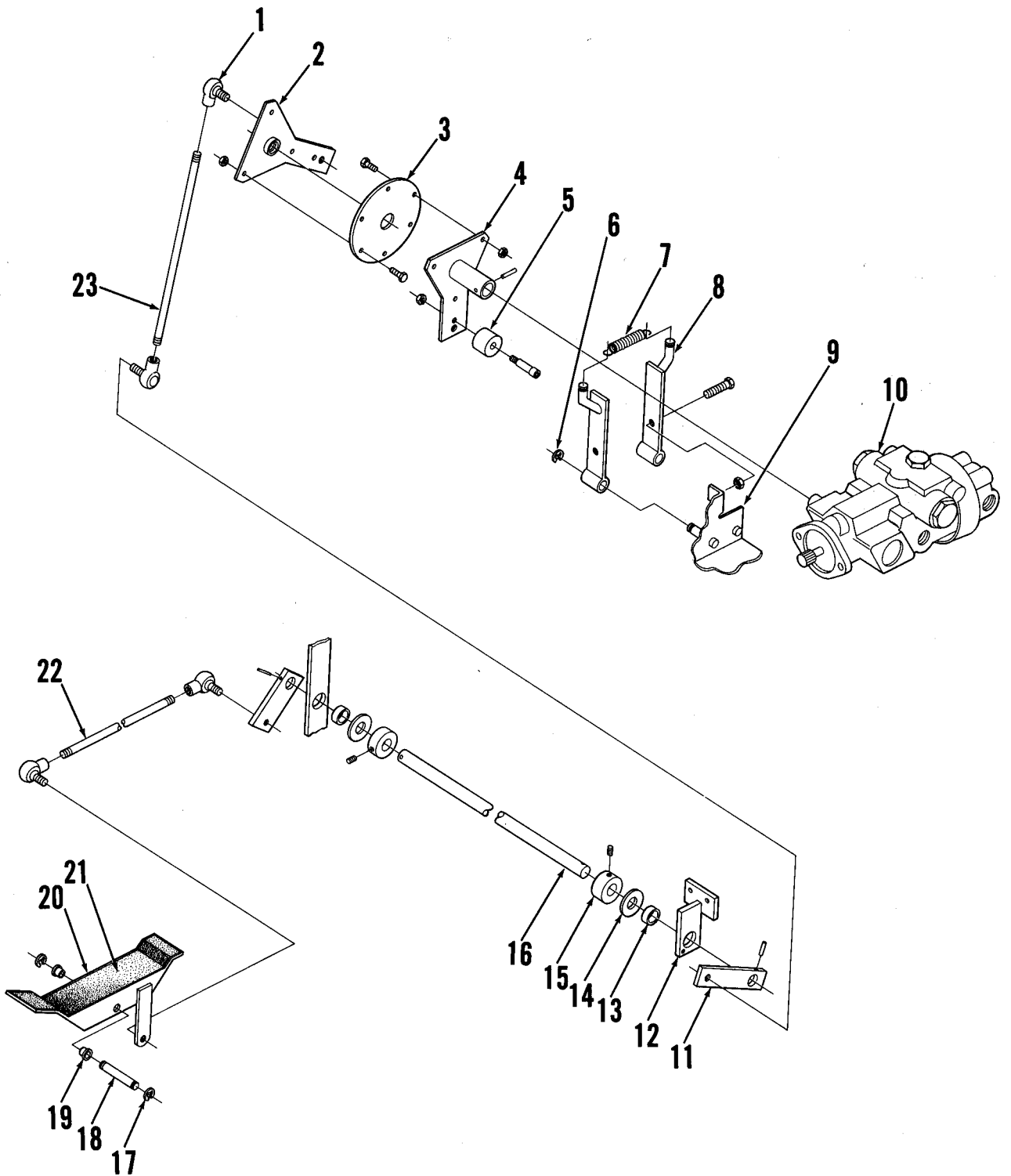
OUTER BODY

Item	Part No.	Qty	Description	Item	Part No.	Qty	Description
1	482359	1	Overhead Guard	43	482382	1	Electrical Panel Cover
2	471194	4	Latch Assy	44	482314	1	Electrical Panel
3	342564	4	Latch Plate		482370	1	Electrical Panel Assy
4	482421	1	Right Rear Hopper Panel				(see pages 25 & 26)
5	496061	1	Light Guard TSB 603, G-8	45	481427	1	Side Broom Guard
6	482343	1	Warning Light TSB 603, G-8	46	477582	1	Floor Mat
7	402940	2	Bumper	47	482178	1	Floor Mat
8	482354	1	Battery Housing Cover	48	482221	1	Seat Panel
*	482366	1	Battery	49	481421	1	Right Side Panel
9	482422	1	Left Rear Hopper Panel	50	482195	1	Right Wheel Cover
10	482348	1	Battery Housing Base	51	025106	2	Decal, Safety Pin
11	481923	1	Lower Left Panel	52	482145	1	Lower Right Panel
12	025100	3	Decal, Warning	53	482165	1	Panel
13	015076	2	Decal, Advance	54	482164	1	Ignition Panel
14	482194	1	Left Wheel Cover	55	481417	1	Steering Column Plate
15	482204	1	Left Side Panel	56	025360	1	Decal, Caution
16	025548	2	Decal, Retriever	57	448104	4	Fastener
17	481429	1	Left Panel	58	482163	1	Access Panel
18	478420	1	Panel	59	479854	1	Gasket
19	482123	1	Front Panel	60	448108	4	Washer
20	482199	1	Chassis	61	482391	1	Foam Insulation
21	482336	2	Plate	62	448109	4	Mounting Plate
22	482355	2	Headlamp Assy	63	482167	1	Panel
	482383	2	Replacement Bulbs	64	482394	1	Foam Insulation
23	016543	1	Decal, Advance	65	482393	1	Foam Insulation
24	024958	2	Advance Emblem	66	482365	1	Horn
	025546	2	Insert 5800	67	482166	1	Panel
25	481465	1	Front Panel	68	481382	1	Floor Cover Plate
26	025578	1	Decal, Control Panel	69	482177	1	Floor Plate
27	482121	1	Hood	70	481346	1	Seat
28	025551	1	Decal, Hydraulic Diagram	71	481354	1	Seat Bracket
29	025580	1	Decal, Wiring Diagram	72	330708	2	Bumper
30	482388	1	Foam Insulation	73	4B2170	1	Plate
31	482389	1	Foam Insulation	74	477569	1	Left Bracket
32	321559	1	Grommet	75	477560	1	Right Bracket
33	477619	1	Support Rod	76	477540	1	Shaft
34	477620	1	Clamp	77	4B1449	1	Pin
35	482392	3	Foam Insulation	78	481519	1	Upper Hinge
36	482390	1	Foam Insulation	79	481437	1	Right Side Door
37	478404	1	Stop Plate	80	330178	1	Spring
38	025094	1	Decal, Electric	81	481477	1	Bracket
39	482337	1	Gauge Panel	82	481457	1	Latch
	014015	1	Gauge Panel Decal	83	321427	1	Retaining Ring
40	477580	2	Safety Lock Pin	84	481515	1	Lower Hinge
	025120	2	Safety Lock Decal	85	478426	1	Inner Left Panel
41	477514	2	Grommet		478428	1	Inner Right Panel
42	025188	1	Decal, Caution	86	471194	2	Latch



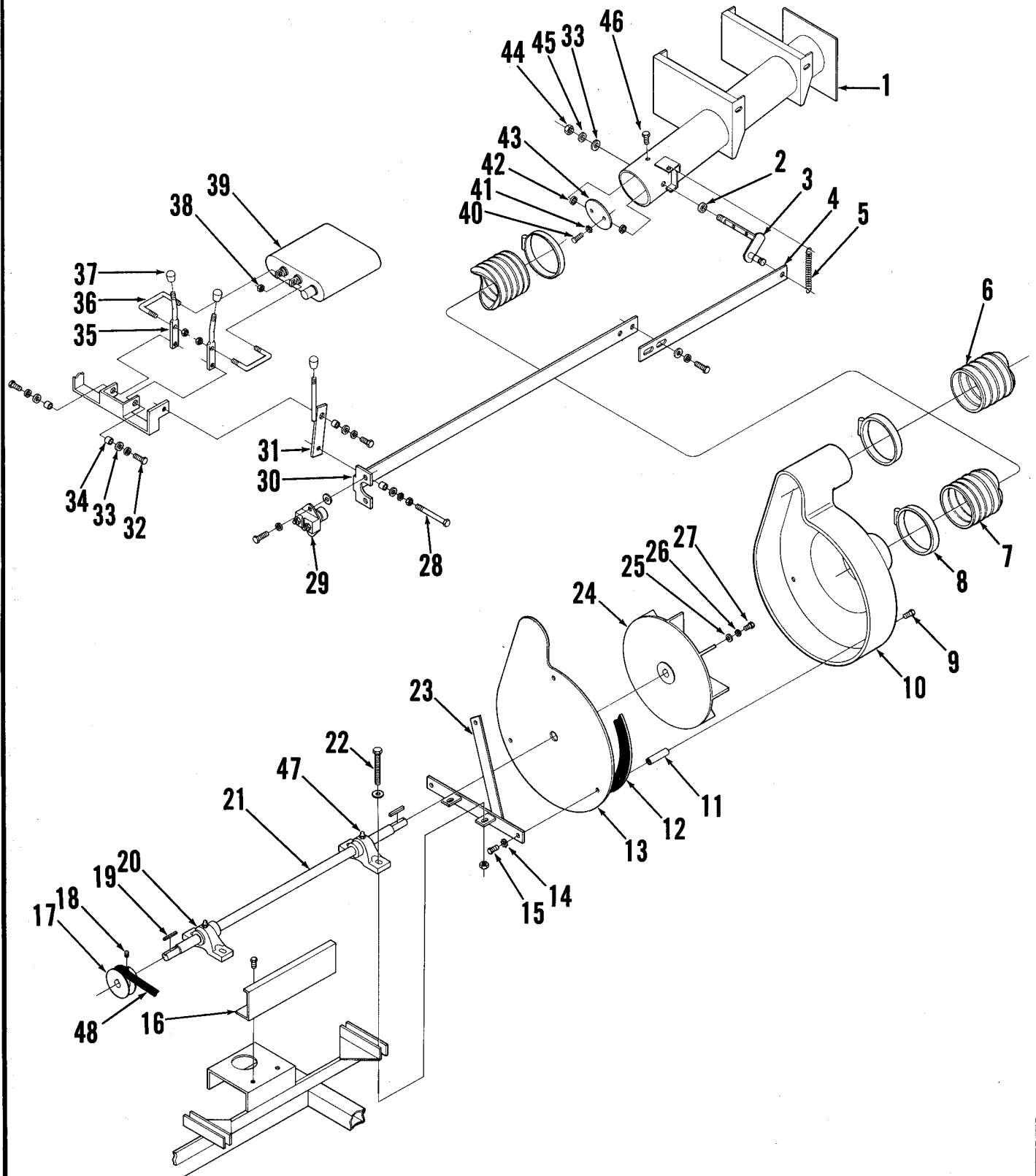
MOTOR

I	PART #	QTY	DESCRIPTION
1	478242	1	PLUG ASSY
2	478614	1	CONNECTOR ASSY
3	482128	1	GUARD
4	479600	1	HYDROSTATIC TRANSMISSION
5	482068	1	MOUNT
6	482127	1	MOTOR MOUNT
7	478685	4	RUBBER MOUNT
8	482199	1	MAIN CHASSIS
9	482133	1	GUARD
10	482369	1	TUBE
11	482134	1	SHEAVE
12	482332	1	BELT
13	122203	2	KEY
14	478652	1	MOTOR
	478664	1	CARBON BRUSH SET FOR ABOVE
15	478686	1	FLANGE COUPLER
16	478692	1	SLEEVE COUPLER
17	478690	1	FLANGE COUPLER
18	478660	1	BLOCK
19	478662	1	ROD
20	478658	1	BRACKET
21	025109	1	DECAL, EMERGENCY OFF
22	478605	1	KNOB



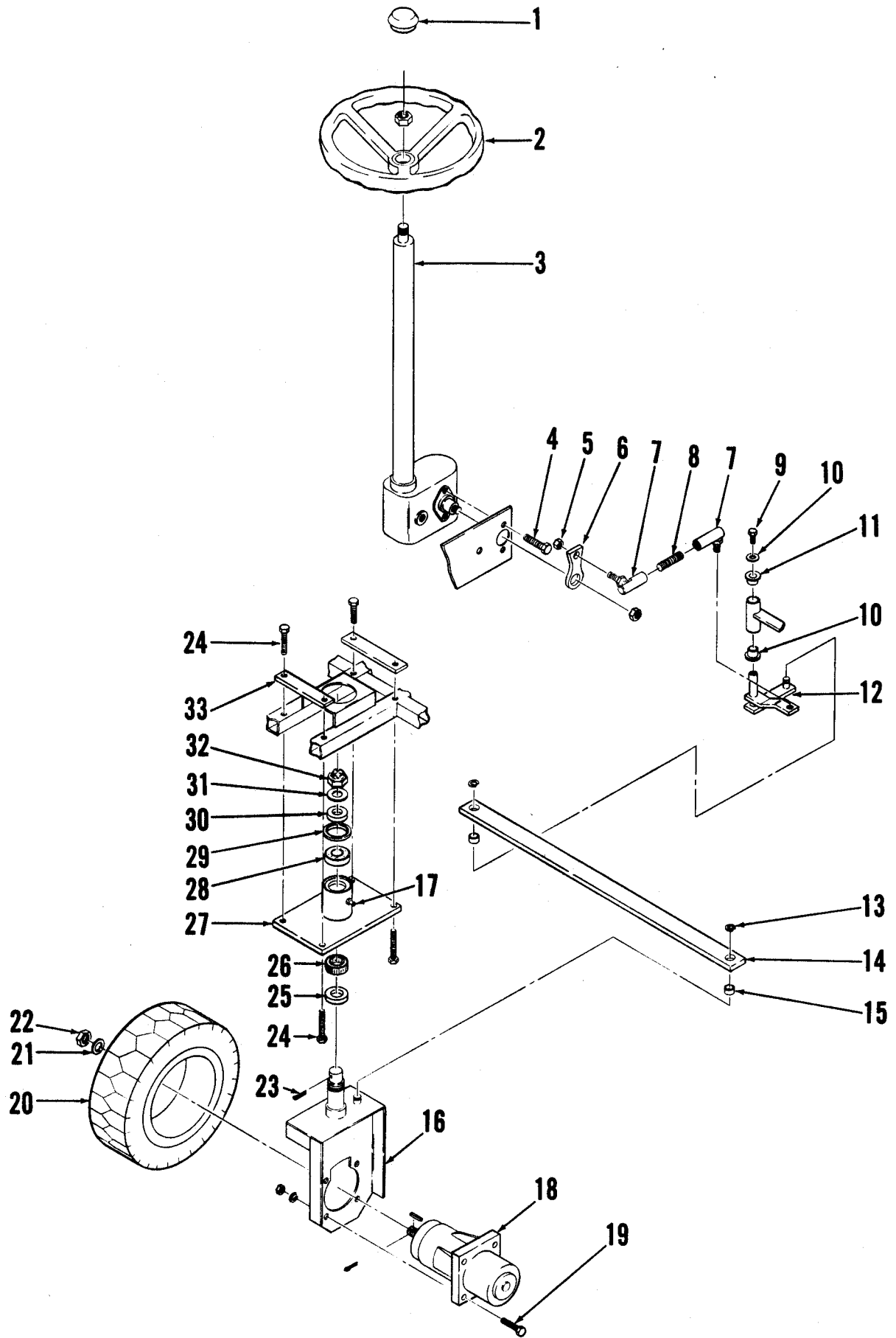
ACCELERATOR LINKAGE

Item	Part No.	Qty	Description
1	477756	4	Rod End
2	482067	1	Arm
3	482030	1	Isolator Ring
4	482066	1	Arm TSB 492, G-11
5	482053	1	Spacer
6	321427	2	Retaining Ring
7	365068	1	Spring TSB 501, G-10
8	482064	2	Arm TSB 501, G-10
9	482068	1	Rear Engine Mount
10	479600	1	Pump Assembly
	479608	1	Seal Kit for above
11	477686	2	Lever
12	477659	1	Bracket
13	370878	2	Sleeve Bearing
14	367192	2	Washer
15	367354	2	Collar
16	477671	1	Shaft
17	321125	2	Retaining Ring
18	448050	1	Pin
19	206849	2	Nyliner Bearing
20	481990	1	Foot Pedal
21	449958	1	Pedal Mat
22	481222	1	Rod
23	482052	1	Rod



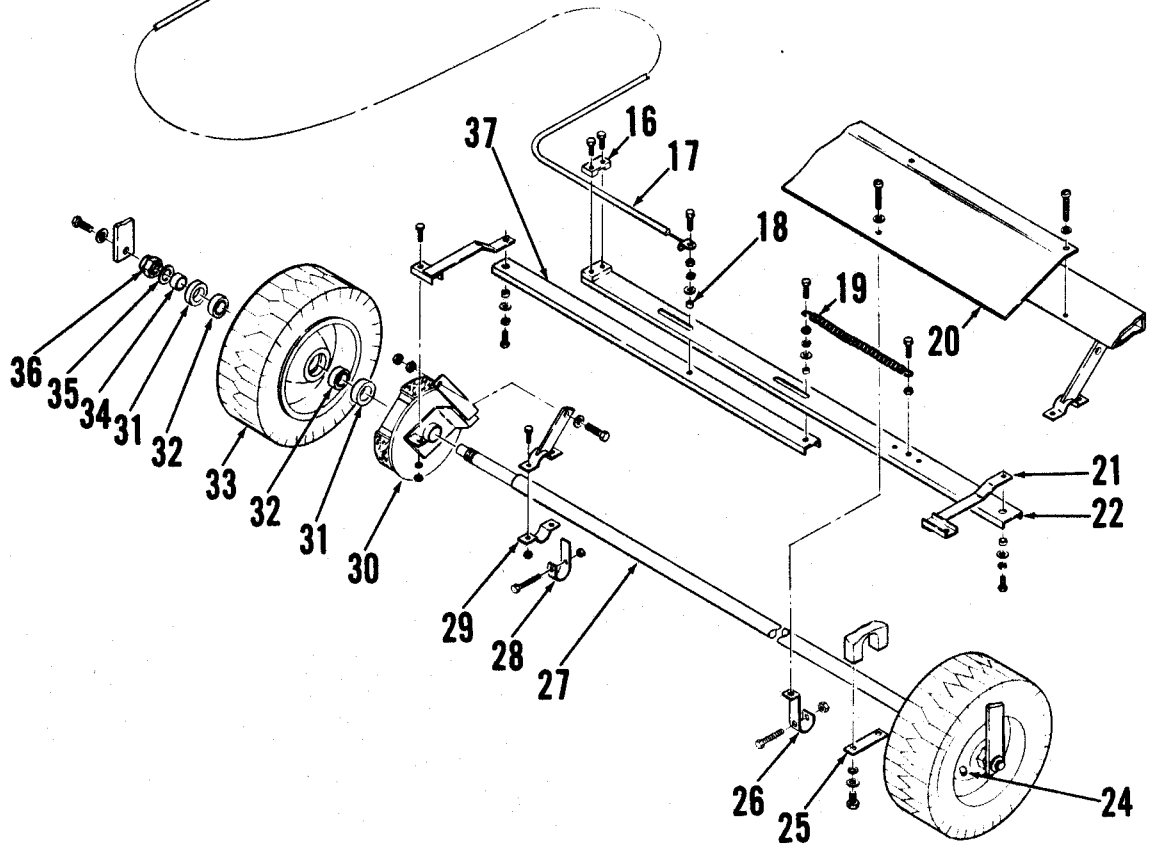
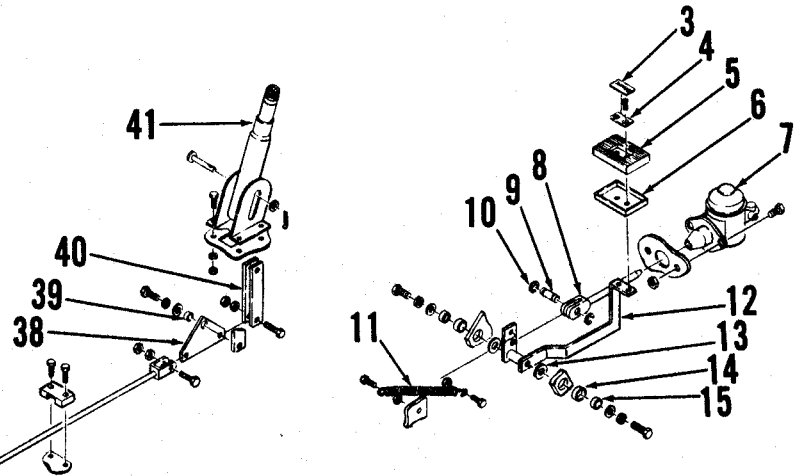
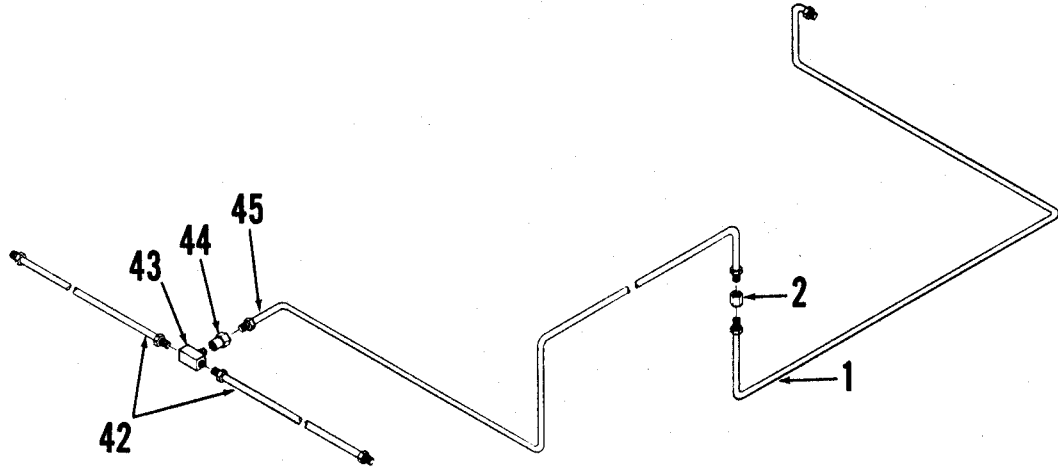
IMPELLER ASSEMBLY

Item	Part No.	Qty	Description	Item	Part No.	Qty	Description
1	482211	1	Adapter	25	358959	1	Washer
2	232181	1	Bushing	26	002023	1	Lock Washer
3	482224	1	Shaft	27	001862	1	Screw
4	477998	1	Strap	28		1	Bolt
5	365068	1	Spring	29	441555	1	Switch
6	491752	1	Flex Hose	30	478002	1	Linkage Arm
7	487448	1	Flex Hose	31	477993	1	Lever
8	352829	4	Hose Clamp	32		8	1/4-20 X 1/2 Screw
9	002035	3	Screw	33	163767	5	Spring Washer
10	482217	1	Shroud	34	379298	4	Bushing
11	478762	3	Spacer	35	477983	2	Lever
12	209434	1	Gasket	36	477988	2	Linkage
13	482321	1	Plate	37	378534	3	Knob
14	001803	6	Washer	38	002349	4	Nut
15	002037	3	Screw	39	482034	1	Control Valve
16	481492	1	Shaft Guard	40	002143	2	Screw
17	482138	1	Sheave	41	002051	2	Washer
18	002021	1	Set Screw	42	329098	2	Bearing
19	158135	2	Key	43	469208	1	Air Vent Plate
20	494506	2	Pillow Block TSB 639, G-7	44	481708	1	Nut
21	482088	1	Shaft	45	002063	1	Washer
22		4	3/8-16 X 2-1/2 Bolt	46	002503	1	Screw
23	481490	1	Bracket	47	101737	2	Grease Fitting
24	478668	1	Impeller	48	482332	1	Belt



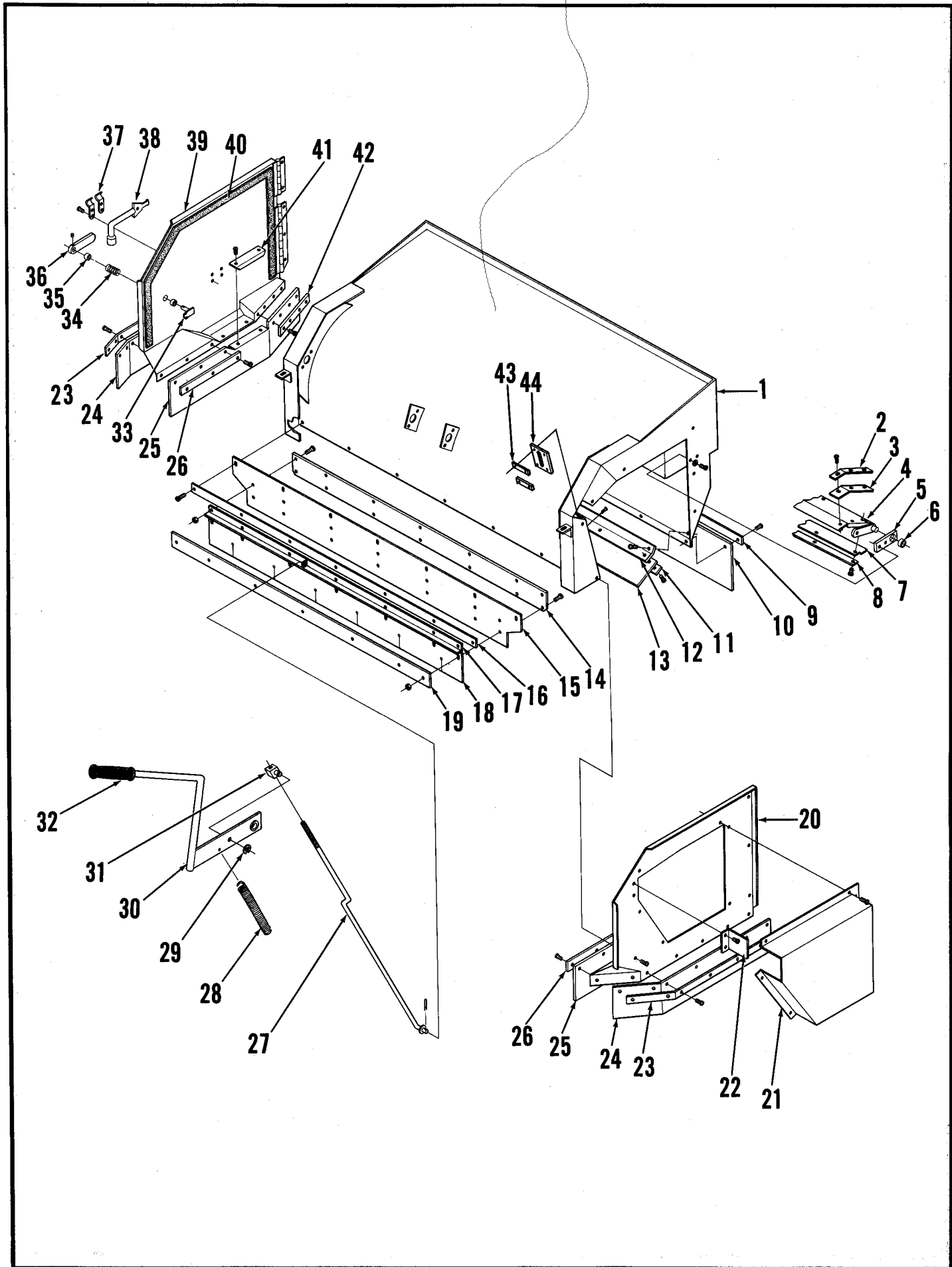
FRONT WHEEL

Item	Part No.	Qty	Description
1	449774	1	Steering Wheel Cap
2	477770	1	Steering Wheel TSB 649, G6
3	477767	1	Steering Gear
4		3	7/16-14 X 1 Screw
5		1	1/2-20 X Hex Nut
6	477806	1	Steering Arm
7	477813	2	Ball Joint
8	477808	1	Stud
9		1	5/16-18 X 3/4 Screw
10	358959	1	Washer
11	250414	2	Bushing
12	477794	1	Steering Crank
13	478775	2	Retaining Ring
14	477804	1	Steering Linkage
15	491636	2	Sleeve Bearing
16	477746	1	Spindle
17	344362	1	Fitting
18	456902	1	Drive Motor TSB 463, G-12
19	477795	4	1/2-13 X 2 Screw
20	477777	1	Front Wheel
	455310	1	Tire
	477775	1	Hub
21	101656	1	Washer
22		1	Slotted Nut
23		2	Cotter Pin
24		4	5/8-11 X 3 Screw
25	477783	1	Shaft Seal
26	477474	1	Bearing Cup
	477471	1	Bearing Cone
27	477803	1	Housing
28	158143	1	Bearing Cup
	158151	1	Bearing Cone
29	171081	1	Shaft Seal
30	477781	1	Bushing
31	159530	1	Washer
32	110817	1	Nut
33	477802	2	Nut Plate



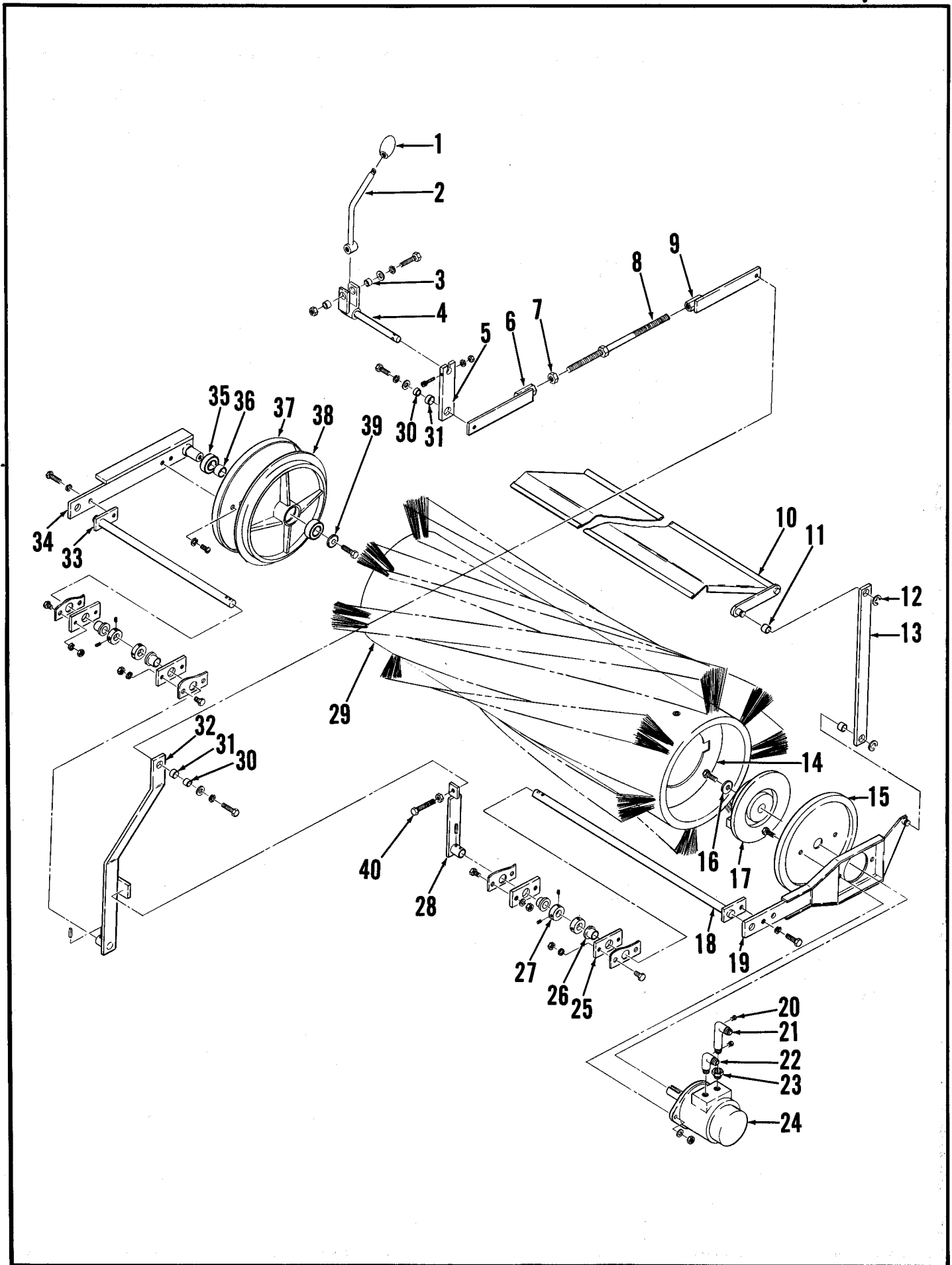
REAR WHEELS

Item	Part No.	Qty	Description	Item	Part No.	Qty	Description
1	481450	1	Brake Line	26	479327	2	Strap
2	477837	1	Connector	27	477727	1	Axle
3	025122	1	Brake Decal	28	477905	2	Stop
4	365081	1	Plate	29	478195	2	Strap
5	365086	1	Pedal	30	477930	1	Left Brake Shoe Assembly
6	365087	1	Cap		477931	1	Right Brake Shoe Assembly
7	477828	1	Master Cylinder	31	477724	4	Seal
8	477909	1	Rod	32	378259	4	Bearing Cap
9	477902	1	Pin		378267	4	Bearing Cone
10	321427	2	Retaining Ring	33	477743	2	Rear Wheel
11	448112	1	Spring		448145	1	Tire
12	481336	1	Brake Lever		477716	1	Hub
13	367192	2	Washer	34	477729	2	Spacer
14	367168	2	Bearing	35	101656	2	Washer
15	367206	2	Bushing	36	101265	2	Castle Nut
16	477884	2	Clamp	37	477904	1	Channel
17	477829	1	Cable Assembly	38	477906	1	Lever
18	379298	4	Bushing	39	385356	1	Bushing
19	370355	1	Spring	40	477903	2	Strap
20	479325	1	Shield	41	448200	1	Brake Lever Assembly
21	477914	2	Lever	42	477834	2	Hose Assembly
22	477917	1	Linkage	43	477832	1	Tee
24	344362	2	Grease Fitting	44	477831	1	Connector
25	477576	2	Plate	45	480374	1	Tube Assembly



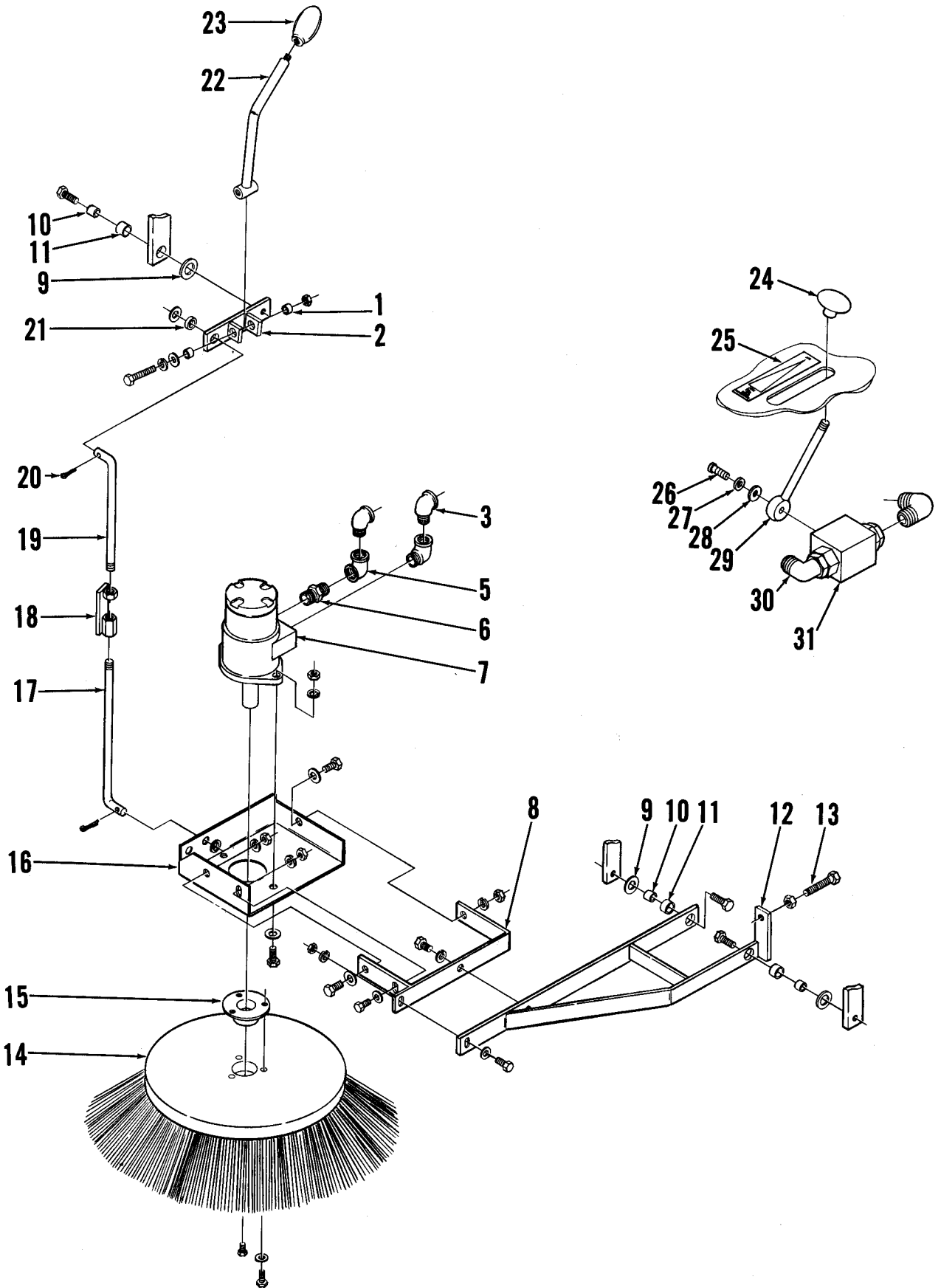
BROOM HOUSING

Item	Part No.	Qty	Description	Item	Part No.	Qty	Description
1	482263	1	Broom Housing	23	489120	2	Strap
	482272	1	Broom Housing Assembly	24	491784	2	Outer Skirt
2	491724	2	Strap	25	482634	2	Inner Skirt
3	491674	2	Blade	26	486646	2	Strap
4	479237	1	Plate	27	482219	1	Rod
5	479267	2	Pillow Block	28	448119	1	Spring
6	370878	2	Sleeve Bearing	29	373797	1	Retaining Ring
7	479320	1	Guard	30	482274	1	Lever
8	479291	1	Strap	31	491716	1	Swivel
9	479285	1	Strap	32	151270	1	Handle Grip
10	482046	1	Rear Skirt	33	479377	1	Latch
11	482628	1	Strap	34	491900	1	Spring
12	482624	1	Bracket	35	491658	2	Sleeve Bearing
13	482632	1	Rear Skirt	36	479371	1	Handle
14	482270	1	Strap	37	477620	2	Clamp
15	482045	1	Front Skirt	38	477598	1	Tool
16	482268	1	Strap	39	482234	1	Door
17	482264	1	Angle		482239	1	Door Assembly
18	482047	1	Front Skirt	40	479854	2	Gasket
19	482271	1	Strap	41	482626	2	Strap
20	482230	1	Panel	42	482630	2	Strap
	482238	1	Panel Assembly	43	477570	4	Nut Plate
21	482240	1	Panel	44	477572	2	Shield
22	482241	1	Bracket				



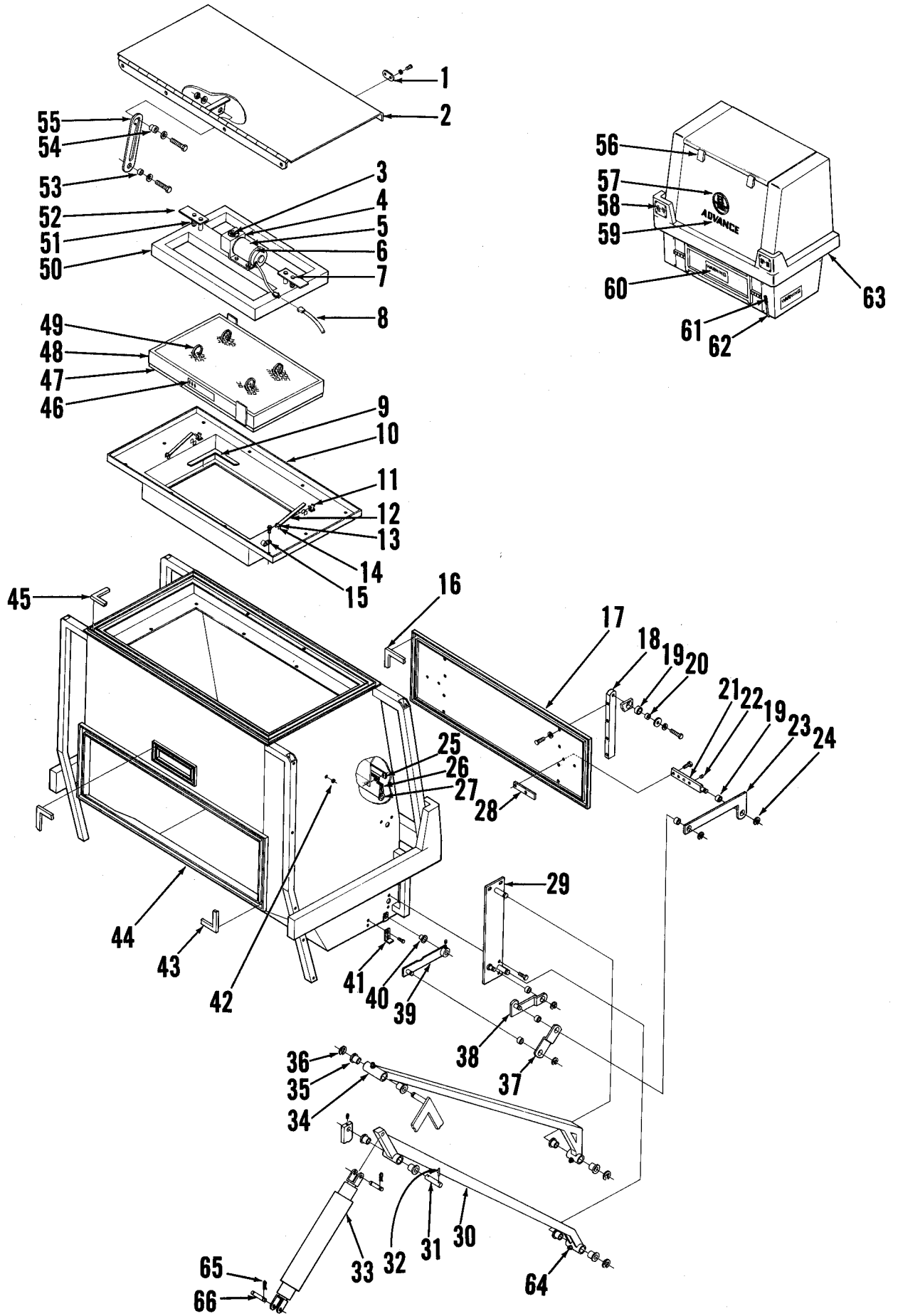
MAIN BROOM

Item	Part No.	Qty	Description	Item	Part No.	Qty	Description
1	364527	1	Knob	25	479273	4	Pillow Block
2	479492	1	Handle	26	444944	4	Flanged Bearing
3	320595	2	Bushing	27	440820	4	Locking Collar
4	479468	1	Crank	28	479459	1	Lever
5	479516	1	Lever	29	477734	1	Main Broom, Medium Fill
6	479507	1	Right Hand Yoke		477742	1	Main Broom, Heavy Duty Medium Fill
7	001891	2	Nut		477738	1	Main Broom, Full Fill
8	479525	1	Turnbuckle		477745	1	Main Broom, Heavy Duty Full Fill
9	479501	1	Left Hand Yoke		477748	1	Main Broom, Wire Mix
10	479237	1	Plate		477750	1	Main Broom, Wire
11	491656	2	Sleeve Bearing	30	360627	2	Spacer Bushing
12	478775	2	Retaining Ring	31	370878	2	Sleeve Bearing
13	479519	1	Linkage	32	479450	1	Broom Lever
14	477736	1	Broom Insert	33	479483	1	Right Shaft Lever
15	479442	1	String Guard	34	479438	1	Right Arm
16	159387	1	Washer		479428	1	Idler Arm Assembly
17	477762	1	Driver Hub	35	479430	2	Ball Bearing
18	479477	1	Left Lever	36	479434	1	Spacer
19	479533	1	Left Arm	37	479439	1	String Guard
	482275	1	Broom Arm Assembly	38	477760	1	Idler Hub
20	481546	2	Plug	39	358959	1	Washer
21	482140	1	Elbow	40	479513	1	Adjusting Screw
22	456989	1	Elbow				
23	900560	1	Connector				
24	479606	1	Main Broom Motor				
	479575	1	Broom Motor Seal Kit				



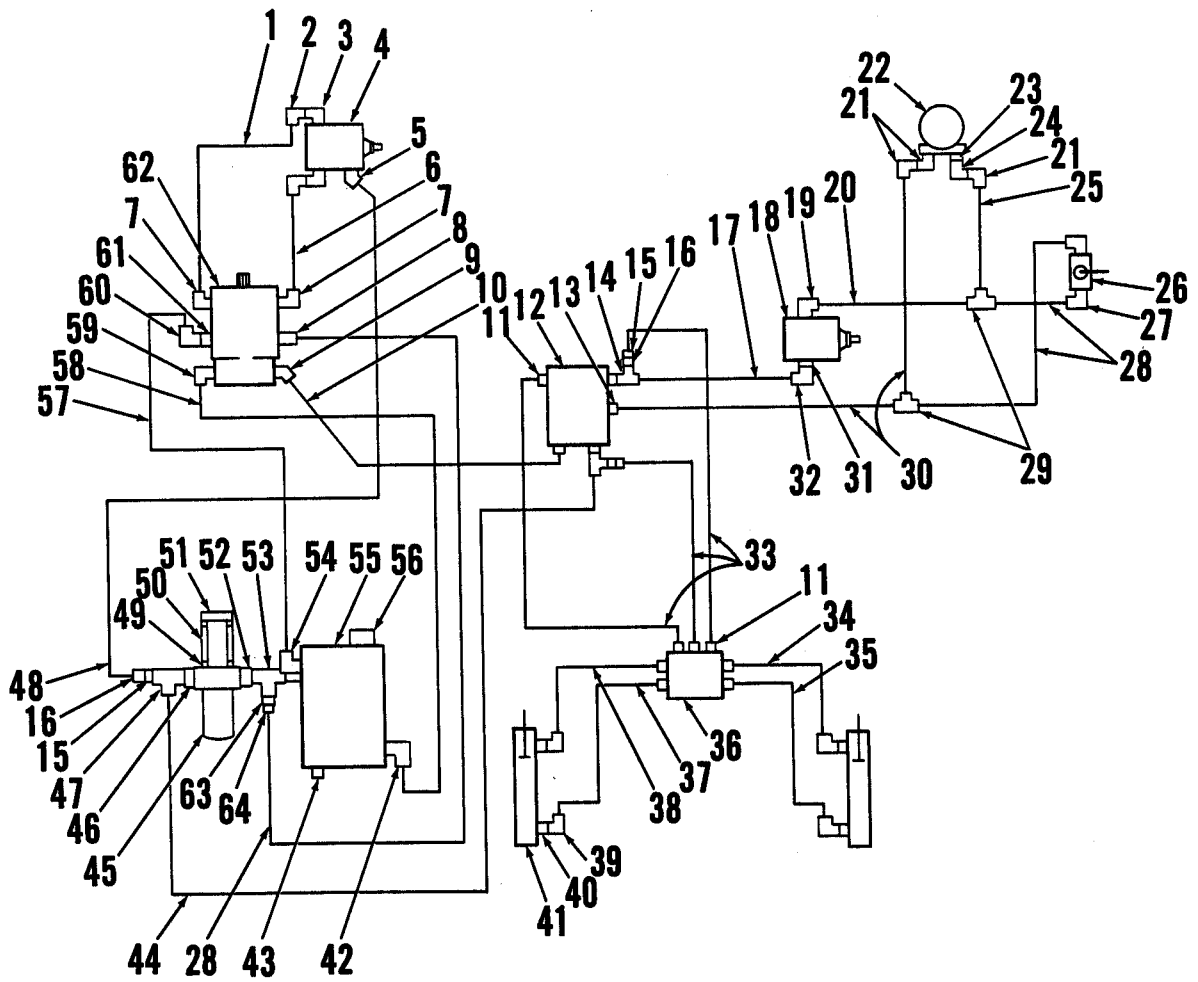
SIDE BROOM

Item	Part No.	Qty	Description
1	320595	2	Bushing
2	479936	1	Lever Bracket
3	900304	3	Elbow
5	900114	1	Elbow
6	900015	1	Connector
7	479609	1	Side Broom Motor
	479575	1	Broom Motor Seal Kit
8	479903	1	Motor Bracket
9	367192	3	Washer
10	267206	3	Bushing
11	367168	3	Bearing
12	479867	1	Arm Bracket
13	479513	1	Adjusting Screw
14	477812	1	Side Broom
	479950	1	Side Broom Assembly
15	479948	1	Hub
16	479945	1	Motor Base
17	481709	1	Right Hand Rod
18	481705	1	Turnbuckle
19	481711	1	Left Hand Rod
20	900129	2	Cotter Pin
21	481456	1	Bushing
22	479927	1	Lever
23	364527	1	Knob
24	378534	1	Knob
25	025559	1	Decal, Side Broom
26	002147	1	Screw
27	001981	1	Washer
28	001954	1	Washer
29	493228	1	Lever
30	900104	2	Elbow
31	496273	1	Valve



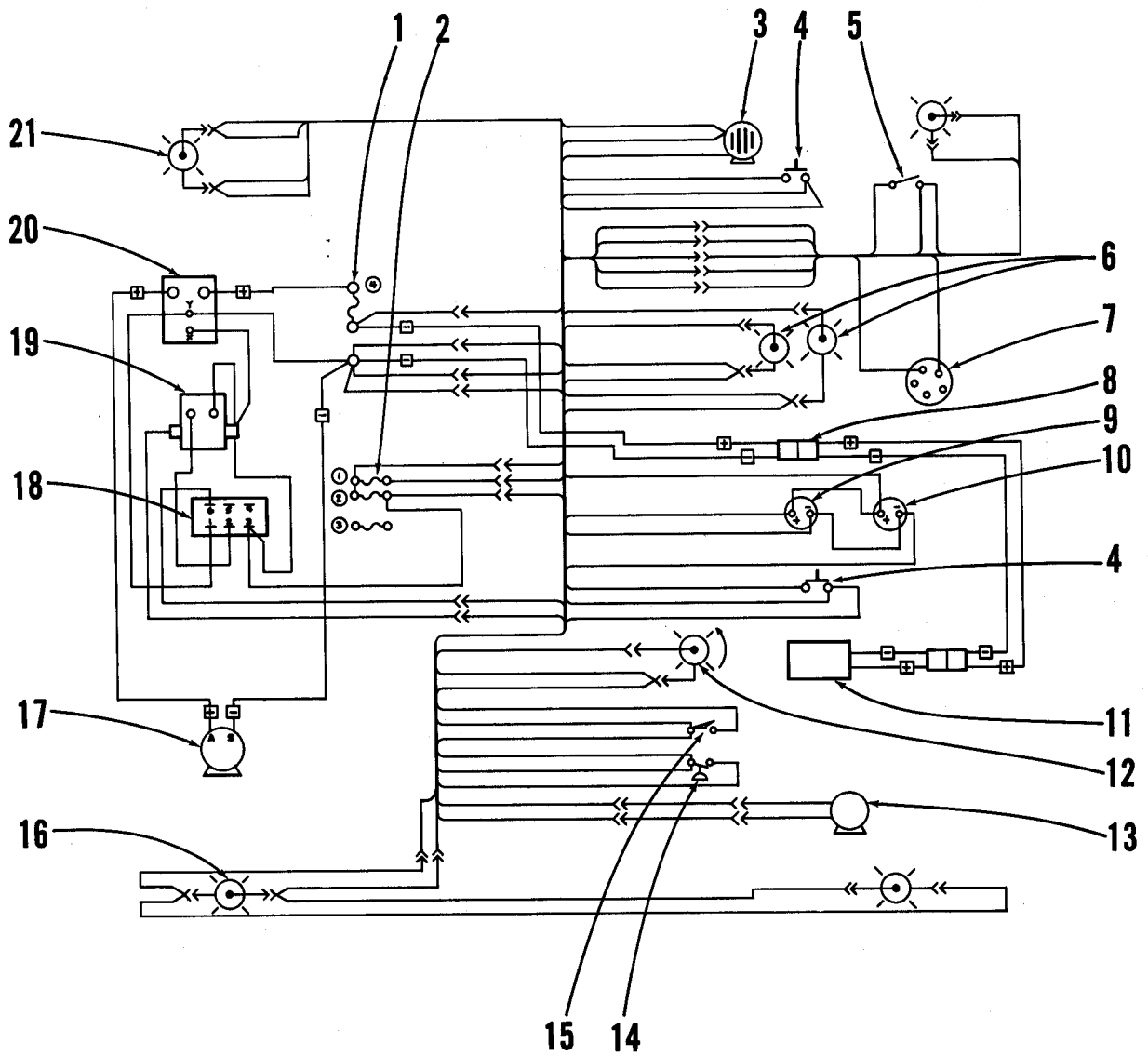
HOPPER ASSEMBLY

Item	Part No.	Qty	Description	Item	Part No.	Qty	Description
1	342564	2	Plate	36	478778	6	Retaining Ring
2	482431	1	Hopper Cover	37	482246	2	Plate
3	030080	1	Decal, Hands Clear	38	482245	1	Left Lever
4	468331	1	Motor Mount	*	482244	1	Right Lever
5	482367	1	Motor	39	482249	1	Left Lever
*	470435	1	Carbon Brush Kit (for 482367)	*	482248	1	Right Lever
*	491822	1	Eccentric (not shown)	40	250414	2	Flange Bushing
6	468329	1	U-Bolt	41	478976	2	Latch Stop
7	491872	4	Shoulder Bolt	42	321559	1	Grommet
8	482375	1	Cord Assembly	43	490110	1	Gasket
9	490114	1	Gasket	44	482295	1	Hopper
10	482301	1	Filter Housing		482371	1	Hopper Assembly
11	491860	2	Clamp	45	490112		Gasket
12	491848	2	Lever	46	023320	2	Decal Filter
13	491826	2	Pin	47	482120	1	Gasket
14	321125	4	Retaining Ring	48	482050	1	Filter Panel
15	300152	2	Cable Clamp		482305	1	Filter Panel Assembly
16	449227	1	Gasket	49	478246	4	Cable Tie
17	482285	1	Hopper Door	50	482102	1	Hold Down
	482284	1	Hopper Door Assembly		482364	1	Hold Down Assembly
18	482228	2	Hinge Plate	51	171177	2	Spring
19	1370878	2	Sleeve Bearing	52	489109	2	Bracket
20	360627	2	Bushing	53	206784	1	Bushing
21	481907	2	Pivot Block	54	384708	1	Step Bushing
22	478963	4	Set Screw	55	449262	1	Latch
23	482251	2	Arm	56	471194	2	Latch Assembly
24	478775	8	Retaining Ring	57	024958	1	Advance Emblem
25	482278	1	Strap	58	489544	2	Red Lens
26	482049	1	Blade	*	482380	2	Socket Assembly
27	482277	1	Rod	*	482379	2	Light Bulb
28	478958	2	Nut Plate	*	489550	2	Lens Gasket
29	478910	1	Left Bracket	59	016543	1	Decal, Advance
*	478913	1	Right Bracket	60	025100	3	Decal, Warning
30	482610	1	Left Arm	61	151270	1	Handle Grip
	482612	1	Right Arm	62	482146	1	Lever
31	455357	2	Pin	63	482143	1	Rear Bumper
32	477574	4	Pin	64	344362	8	Grease Fitting
33	479646	2	Hopper Cylinder (Green MFG)	65	477583	8	Cotter Pin
*	479677		Cylinder Repair Kit (Green MFG)	66	477581	4	Pin
34	479057	1	Left Arm				
*	479060	1	Right Arm				* = Not Shown
35	1444944	6	Sleeve Bearing				



HYDRAULIC DIAGRAM

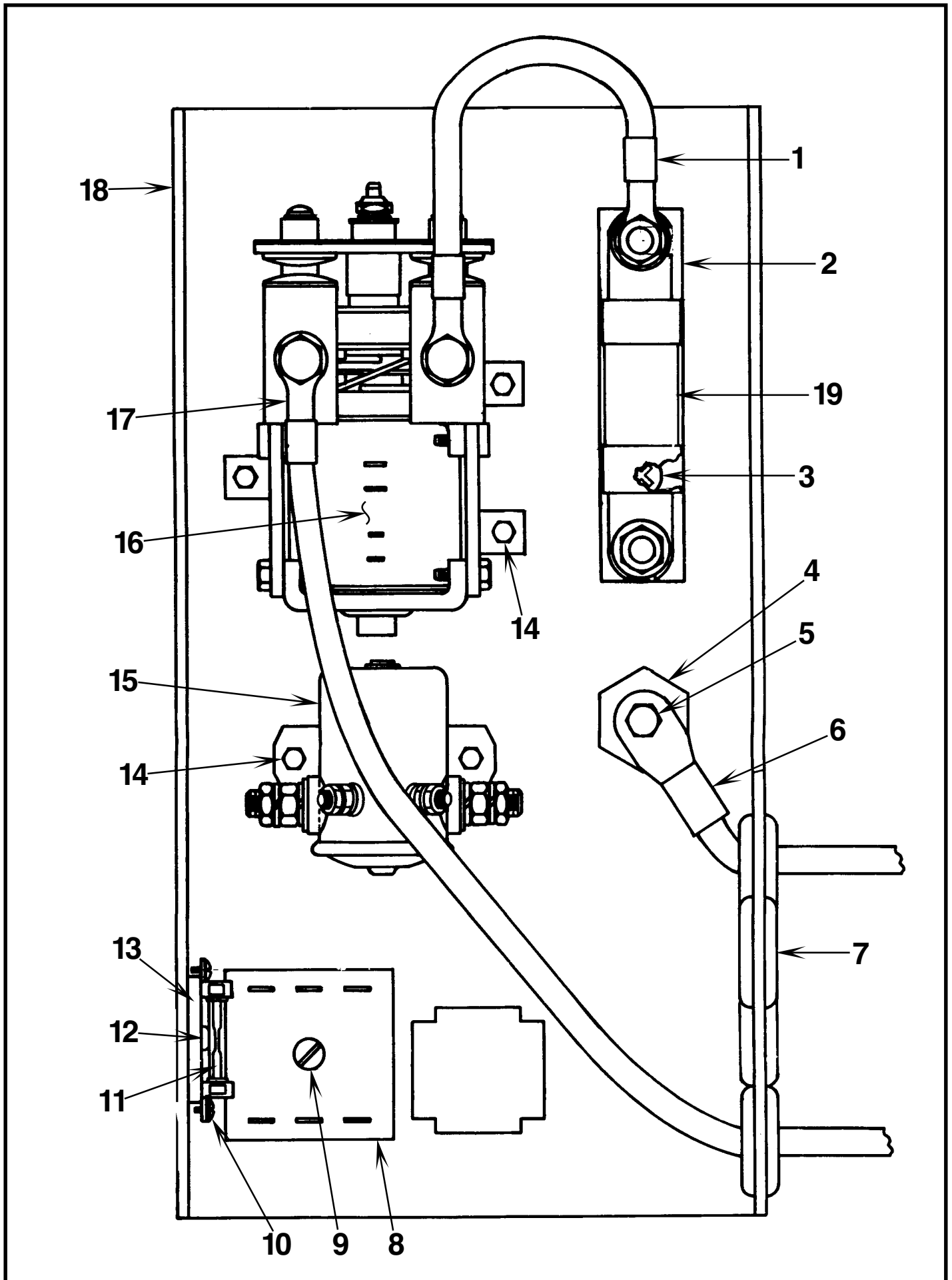
I	PART #	QTY	DESCRIPTION	I	PART #	QTY	DESCRIPTION
	025551	1	DECAL, HYDRAULIC	55	482313	1	RESERVOIR
1	456940	1	HOSE		482335	1	RESERVOIR ASSY
2	456947	2	ELBOW	56	479656	1	FILLER CAP
3	456953	2	ELBOW	57	456907	1	HOSE
4	456902	1	DRIVE MOTOR TSB 463, G-12	58	482036	1	HOSE
5	900151	1	ELBOW	59	900117	1	ELBOW
6	456945	1	HOSE	60	900303	1	ELBOW
7	481344	2	ELBOW	61	900003	1	CONNECTOR
8	900004	1	CONNECTOR	62	479600	1	HYDROSTATIC TRANSMISSION
9	900164	1	ELBOW	63	900079	1	REDUCER
10	496215	1	HOSE	64	900560	1	CONNECTOR
11	900011	8	CONNECTOR				
12	482034	1	CONTROL VALVE				
	482155	1	CONTROL VALVE ASSY				
13	900020	4	CONNECTOR				
14	900344	2	TEE				
15	900504	3	NUT				
16	900462	3	REDUCER				
17	496216	1	HOSE				
18	479606	1	MAIN BROOM MOTOR				
19	456989	1	ELBOW				
20	479593	1	HOSE				
21	900304	3	ELBOW				
22	479609	1	SIDE BROOM MOTOR				
23	900015	1	CONNECTOR				
24	900114	1	ELBOW				
25	496215	1	HOSE				
26	496273	1	VALVE				
	482156	1	SIDE BROOM VALVE ASSY				
27	900104	2	ELBOW				
28	479695	3	HOSE				
29	900444	2	TEE				
30	482033	2	HOSE				
31	900560	1	CONNECTOR				
32	482140	1	ELBOW				
33	490167	3	HOSE				
34	496211	1	HOSE				
35	456919	1	HOSE				
36	482037	1	CHECK VALVE				
	482174	1	CHECK VALVE ASSY				
37	488745	1	HOSE				
38	488743	1	HOSE				
39	488580	4	ELBOW				
40	488577	4	REDUCER				
41	479646	2	CYLINDER				
42	900106	1	ELBOW				
43	479732	1	PLUG				
44	479591	1	HOSE				
45	482318	1	FILTER HEAD				
	496209	1	FILTER ELEMENT				
46	900604	1	REDUCER				
47	900204	1	TEE				
48	456955	1	HOSE				
49	755726	4	BARB				
50	456028	2	HOSE				
51	482381	1	REMOTE INDICATOR				
52	488659	1	ADAPTER				
53	900077	1	TEE				
54	900581	1	ELBOW				



WIRING DIAGRAM

Item	Part No.	Qty	Description
	016271	1	Decal, Wiring
1	482395	1	Fuse, 300 Amp
2	448667	2	Fuse, 10 Amp
3	482365	1	Horn
4	441555	2	Switch
5	376348	1	Switch
6	456469	2	Indicator Light (optional)
7	478640	1	Ignition Switch
8	478644	1	Emergency Disconnect
9	448677	1	Battery Condition Meter
10	478363	1	Hour Meter
11	482366	1	Battery
12	482343	1	Rotating Beacon
13	482367	1	Shaker Motor
14		1	Dust Control Vacuum Switch (optional)
15		1	Hopper Up Switch (optional)
16	482380	2	Tail Light Socket
	482379	2	Light Bulb
17	478652	1	Hydraulic Pump Motor
18	482372	1	Shaker Timer
19	395452	1	Shaker Relay
20	478676	1	Pump Motor Relay
21	482355	2	Headlight Assy
*	482376	1	Main Harness
*	482377	1	Dash Harness
*	482374	1	Electrical Panel Harness
*	482375	1	Shaker Harness
*	482378	1	Tail Light Harness
*	478614	1	Battery Cable Assy

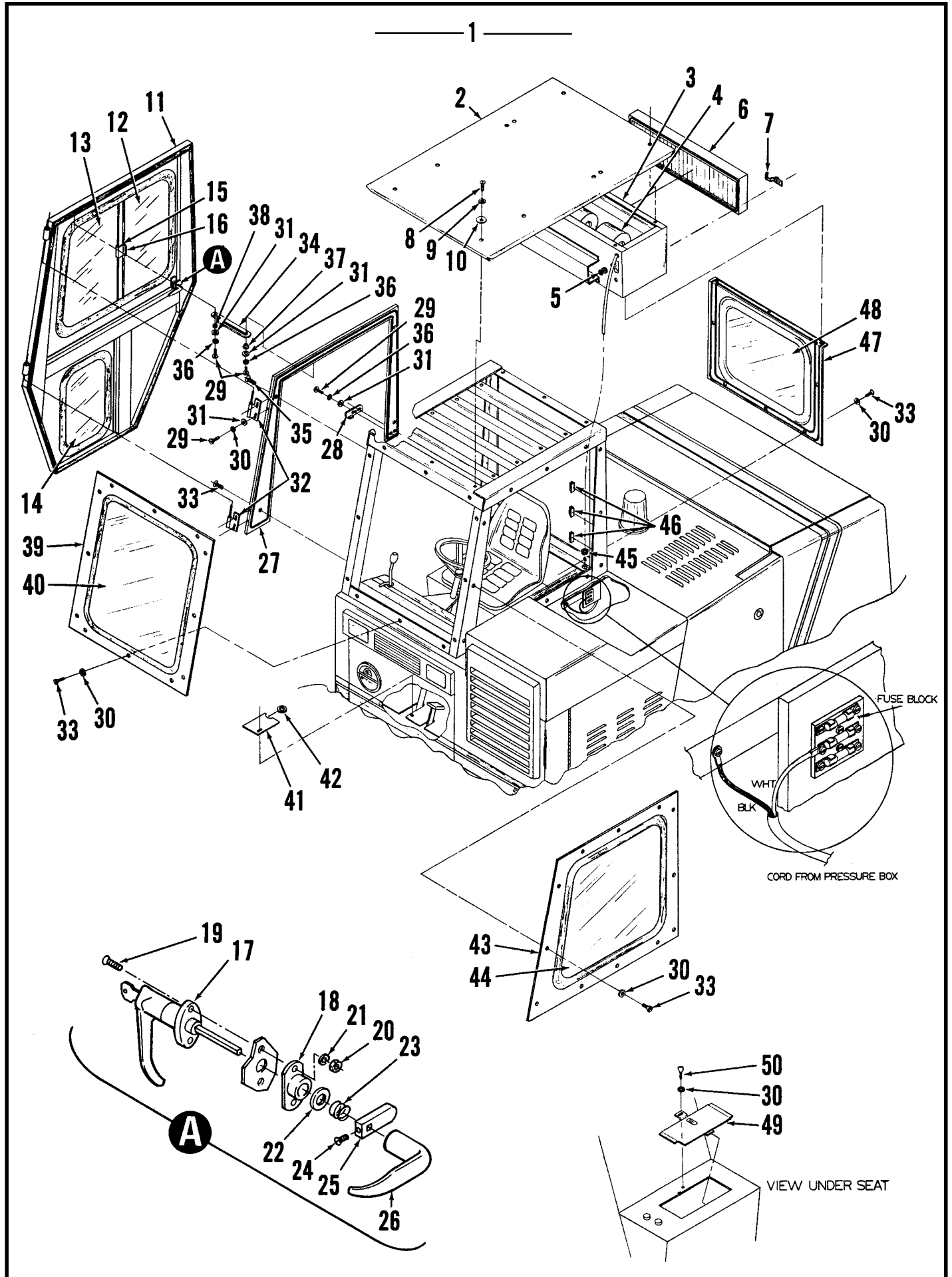
* = Not Shown



ELECTRICAL PANEL

Item	Part No.	Qty	Description
1	482384	1	Cable Assembly
2	482373	1	Block, Clamp Fuse
3	002417	2	Scr, Flt Phil 10-24 x .88
*	002768	2	Nut, Hex Nyl Loc 10-24
4	469858	1	Standoff, Insulated
5	001854	1	Scr, Hex Hd 1/4-20 x .50
*	001803	1	Wsh, Shprf 1/4
6	482385	1	Cable Assembly
7	760212	4	Grommet
8	482372	1	Time Delay
9	002715	1	Scr, Hex Thd Form 10-24 x 1.00
10	492293	1	Buss Bar
11	448667	2	Fuse, Glass 10A
12	002816	2	Scr, Flt Phil 6-32 x .50
*	002830	2	Nut, Hex Nyl Loc 6-32
13	441961	1	Block, Fuse
14	002519	5	Scr, Hex Thd Form 10-24 x .38
15	395452	1	Contact, 36V
16	478676	1	Contact, 36V, 100A
17	478610	1	Cable Assembly
18	482314	1	Panel, Electrical
19	482395	1	Fuse, 300A
*	482374	1	Wiring Harness

* = Not Shown



CAB ASSEMBLY

Item	Part No.	Qty	Description
1	481808	1	Cab (includes items 1-50)
2	481828	1	Roof Assembly
3	481789	1	Pressure Box Assembly (includes items 3-7)
4	481794	1	Blower, 12V
5	481854	1	Switch, 3 speed
6	481838	1	Filter Assembly
*	481814	1	Replacement Filter for 481838
7	481836	2	Fastner, Snap
8		12	Scr, Truss Hd 1/4-20 x 1.00
9	151114	10	Washer .26 x .90 x .06
10	154776	10	Washer
11	481787	1	Door Assembly (includes items 9-26)
12	481670	1	Window, Sliding Door
13	481668	1	Window, Fixed Door
14	481666	1	Window, Door
15	481747	1.5"	Gasket, Handle (3.81 cm)
16	481746	1	Handle, Locking
17	481872	1	Handle, Locking
18	481866	1	Plate
19		2	Scr, Oval Hd 10-24 x .75
20		2	Nut, Hex 10-24
21		2	Wsh, Lock #10
22		1	Washer, 7/16
23	481880	1	Spring
24		1	Scr, Rd Hd 10-24 x .38
25	481868	1	Latch, Adjustable
26	481874	1	Handle
27	481793	1	Door Frame Assembly
28	481876	1	Latch
29		6	Scr, Pan Hd 1/4-20 x .50
30	481830	32	Washer
31		10	Washer, .25
32	481739	2	Hinge
33		32	Scr, Oval Hd 1/4-20 x .75
34	481878	1	Latch
35		4	Scr, Flt Hd 1/4-20 x 1.25
36		8	Lockwasher, .25
37	384708	1	Bushing, Step
38	206784	1	Bushing
39	481805	1	Front Window Assembly (includes item 40)
40	481664	1	Window, Front
41	481832	1	Cover Assembly
42	344621	1	Grommet
43	481803	1	Left Window Assembly (includes item 44)
44	481660	1	Window, Left
45	327409	1	Bushing, Nylon
46	467428	3	U-Clip
47	481811	1	Rear Window Assembly (includes item 48)
48	481662	1	Window, Rear
49	481834	1	Battery Cover Assembly
50	481858	1	Scr, Thumb 10-24 x .50

* = Not Shown