



# Electronic Service Manuals

This electronic document is provided as a service to our customers. We do not create the contents of the information contained in this document. Should you have detailed questions pertaining to the information contained in this document, you may contact Michco, or the manufacturer which provided the original information in this electronic deliverable. Michco's only part in this electronic deliverable was the electronic assembly process.

You may contact Michco through the following methods:  
Phone (517) 484-9312 or (800) 331-3339 MI, OH, IN only  
2011 N. High St. -- Lansing, Michigan -- 48906  
Fax: (517) 484-9836  
Email: [CustServ@Michco.com](mailto:CustServ@Michco.com)  
Web site: [www.Michco.Com](http://www.Michco.Com)  
Parts Web site: [www.FloorMachineParts.Com](http://www.FloorMachineParts.Com)

Order Parts on Line at:  
**[www.FloorMachineParts.Com](http://www.FloorMachineParts.Com)**

Directly to Parts & Service:  
By Email: **[Shop@Michco.com](mailto:Shop@Michco.com)**  
By Fax: (517) 702-2041  
By Voice: Use numbers above.

**Serving the Cleaning Industry Since 1922**

Notice: All copyrighted material remains property of original owners, all trademarks are property of respective owners. Manuals are subject to Manufacturer's reproduction limitations. Originals or reproductions were provided by manufacturers through a request. We make no warranty as to the correctness of information provided in this document and you assume all risk.

# Retriever™ 5100G/P/D

---



## **PARTS LIST**

**Advance MODEL 56497015, 56497016, 56497017**

**This parts list is for machines after serial number 425884**

**All models covered in this manual are OBSOLETE**



# **Advance**

*by Nilfisk-Advance*

10/90 revised 10/02 FORM NO. 56042236

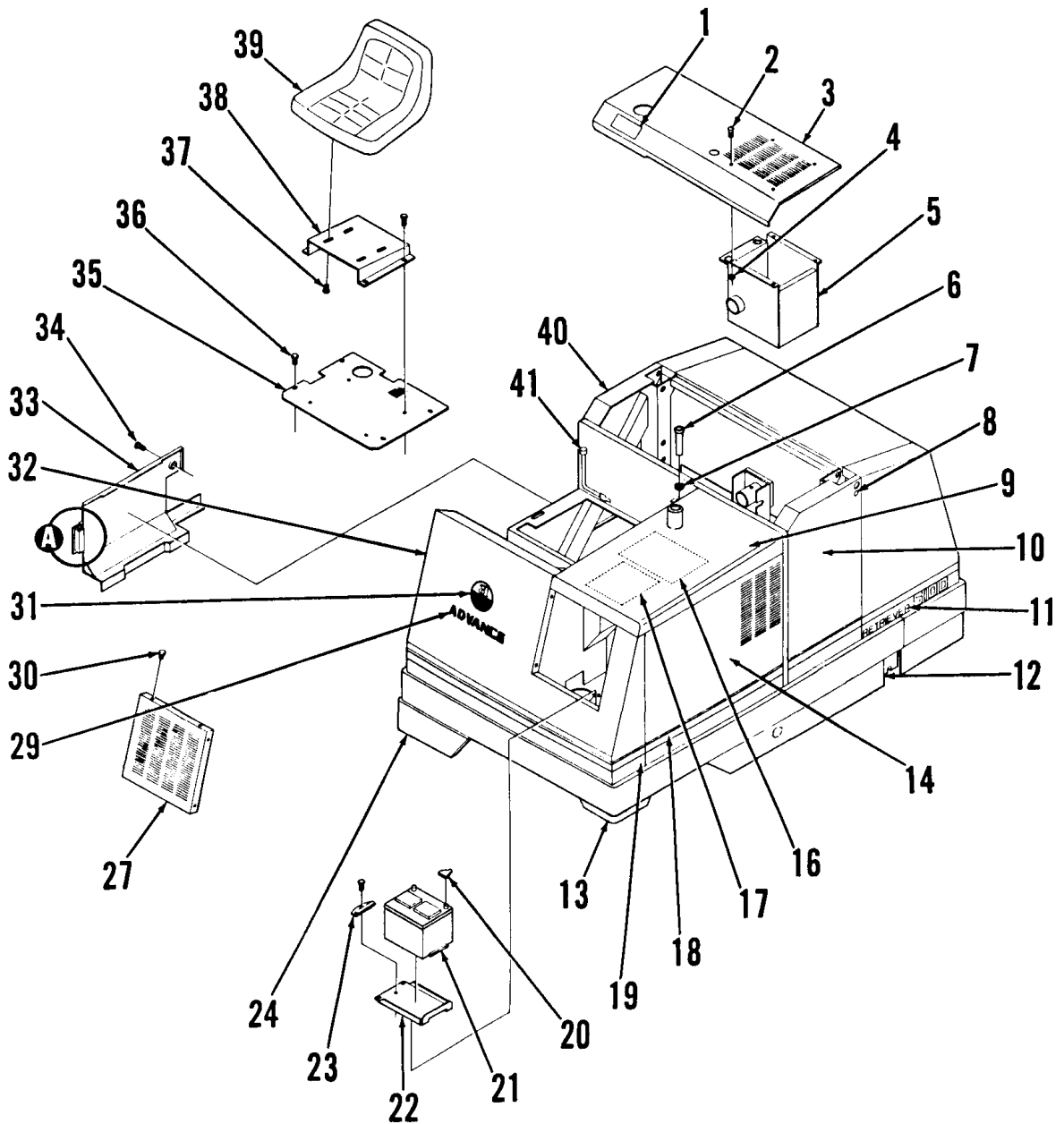
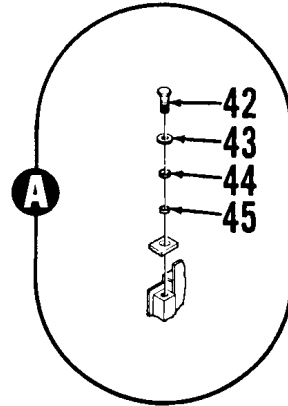
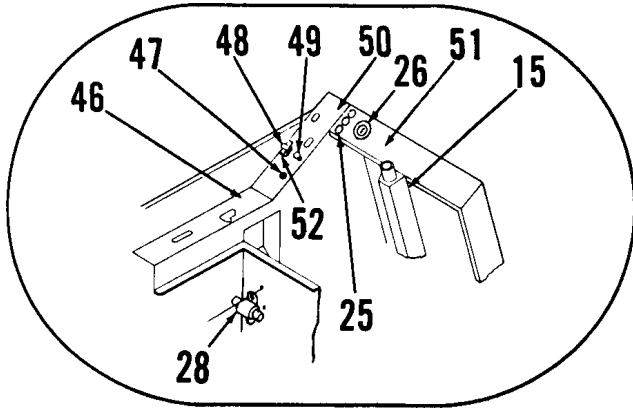
# TABLE OF CONTENTS

<u>DESCRIPTION</u>	<u>PAGE</u>
Chassis Assembly .....	1-2
Engine Assembly .....	3-4
Liquid Propane System .....	5-6
Fuel Tank Assemblies .....	7-8
Accelerator Linkage .....	9-10
Impeller Assembly .....	11-12
Front Wheel & Steering .....	13-14
Hydraulic Diagram .....	15-16
Rear Wheels .....	17-18
Main Broom Assembly .....	19-20
Broom Housing Assembly .....	21-22
Side Broom Assembly .....	23-24
Hopper Assembly .....	25-26
Hydraulic Control Valves .....	27-28
Gas & Propane Wiring Diagram .....	29-30
Diesel Wiring Diagram .....	31-32
Accessories & Options .....	33

## WHEN ORDERING PARTS

- \* Use the 8 digit numbers from the "Part No." columns in this parts list.
- \* Specify the model and serial number of the machine.
- \* Use the space below to record the model and serial number for future reference.

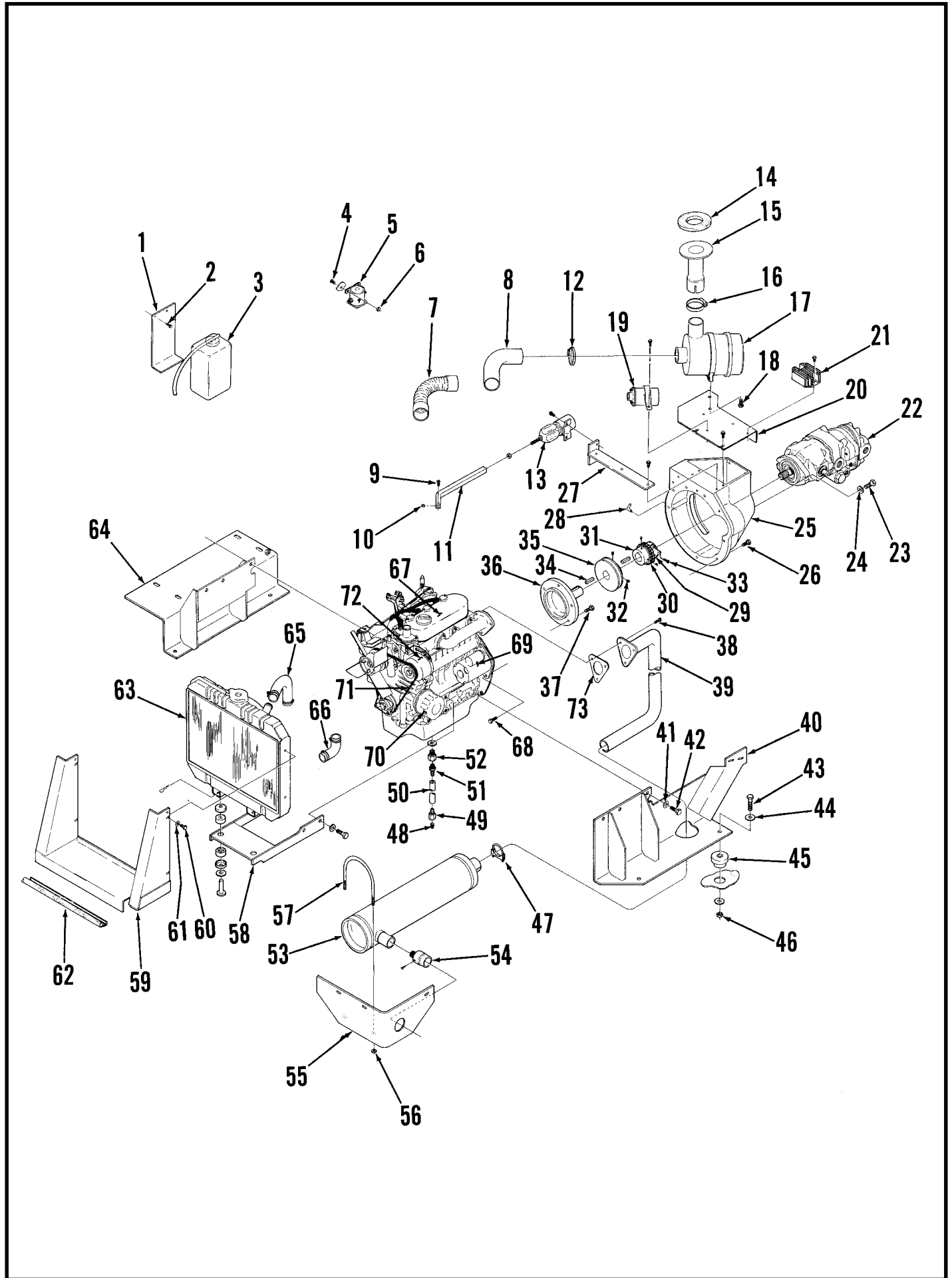
Model \_\_\_\_\_ Serial No. \_\_\_\_\_



## CHASSIS

Item	Part No.	Qty	Description	Item	Part No.	Qty	Description
1	56026050	1	Decal, Gas	36		8	1/4-20 x 3/4 Screw
	56025011	1	Decal, Diesel	37		4	3/8-16 x 3/4 Screw
2		4	1/4-20 x 5/8 Screw	38	56497179	1	Seat Bracket, Standard
3	56497455	1	Cover Panel		56497641	1	Seat Bracket, Optional
4		4	1/4-20 Nut	39	56448080	1	Seat, Standard
5	56497533	1	Duct		56481346	1	Seat, Optional
6	56477580	2	Safety Pin	40	56497471	1	Right Panel
7	56477514	2	Grommet	41	56477598	1	Wrench
8	56025120	4	Decal, Safety Pin		56477620	1	Clip
9	56497714	1	Hood	42		2	1/2-13 x 1-1/4 Screw
	56497554	1	Hinge	43		2	1/2 Flat Washer
	56482158	1	Prop Rod	44	56367168	2	Bearing
	56168744	1	Grommet	45	56367206	2	Bushing
	56477583	1	Cotter Pin	46	56014687	1	Decal, Lower Panel
10	56497472	1	Left Panel	47	56470793	1	Ignition Switch
11	56014681	2	Decal, Retriever 5100	48	56497698	1	Throttle Control W/Cable
12	56497062	1	Panel	49	56497701	1	Choke Cable Assembly/Gas
13	56497637	1	Bracket	50	56014686	1	Decal, Control Panel/Gas/LP
14	56497485	1	Door Panel		56015037	1	Decal, Control Panel/Diesel
15	56497151	1	Channel	51	56014688	1	Decal
16	56014685	1	Decal, Hydraulic System	52	56014973	1	Decal, Throttle/Gas & LP
17	56014983	1	Decal, Wiring/Gas/LP	*	56497755	1	Glow Plug Ind/Diesel
	56025011	1	Decal, Wiring/Diesel				
18	56024006	4	Red and Black Stripe				
19	56014778	4	Grey Stripe				
20	56372673	2	Boot				
21	56441511	1	Battery				
22	56497451	1	Battery Tray				
23	56469193	1	Hold Down Assembly				
		1	5/16-18 x 1 Screw				
24	56497453	1	Broom Guard				
25	56497702	1	Light, Oil				
	56497703	1	Light, Temperature				
	56497704	1	Light, Battery				
26	56497754	1	Key Switch, Diesel				
	56478640	1	Key Switch, Gas/LP				
27	56497452	1	Front Grill				
28	56497699	1	Fuel Pump, Gas				
29	56016543	1	Decal, Advance				
30	56386321	2	Hood Stops				
31	56014322	1	Decal, Logo				
32	56497150	1	Chassis				
33	56497473	1	Side Door Assembly				
34		1	1/2-13 x 2 Screw				
35	56497448	1	Seat Deck				

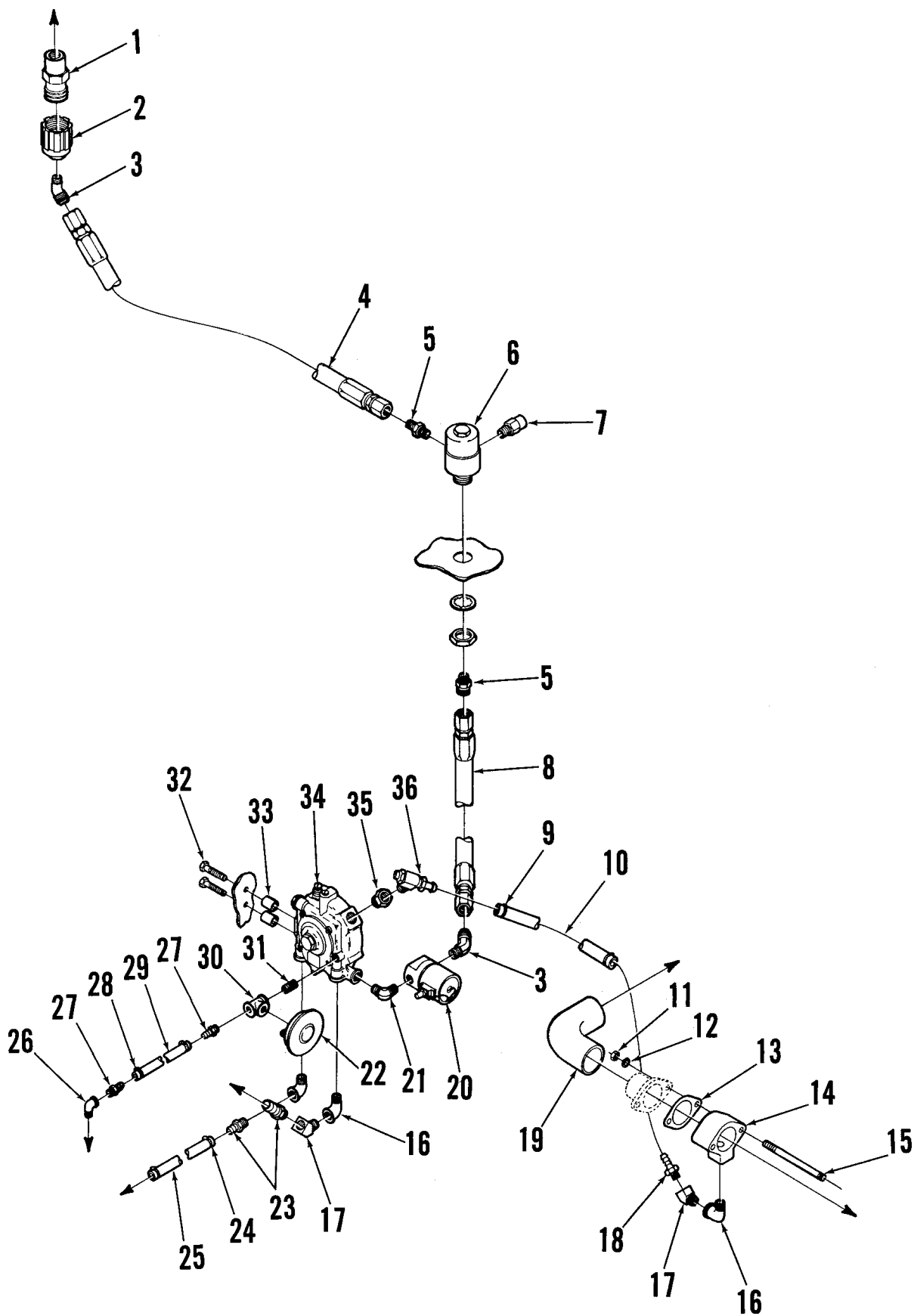
\* = Not Shown



## ENGINE ASSEMBLY

Item	Part No.	Qty	Description	Item	Part No.	Qty	Description
1	56497712	1	Bracket	51	56155640	1	Barb
2		14	1/4-20 x 1/2 Screw	52	56497676	1	Adapter
3	56497713	1	Coolant Reservoir	53	56497697	1	Muffler
4		2	1/4-20 x 3/8 Screw	54	56497735	1	Spark Arrestor
5	56441546	1	Glow Plug Solenoid/Diesel	55	56497637	1	Bracket
6		2	1/4-20 Nut	56		2	5/16-18 Nut
7	56497748	1	Hose (Diesel only)	57	56497638	1	U-Bolt
8	56497725	1	Hose (LP & Gas only)	58	56497694	1	Radiator Mount
9		1	#10-24 x 3/4 Screw	59	56497677	1	Radiator Mount
10	56376389	1	Bushing	60	56900278	4	Screw
11	56497744	1	Rod (Diesel only)	61		4	M6 Flat Washer
12	56329145	2	Hose Clamp	62	56483549	4'	Gasket (1524 mm)
13	56497752	1	Solenoid (Diesel only)	63	56497719	1	Radiator W/mtg hdw
14	56497730	1	Gasket	64	56497684	1	Right Skid Plate
15	56497708	1	Tube	65	56497768	1	Upper Radiator Hose
16	56329145	1	Hose Clamp	66	56497769	1	Lower Radiator Hose
17	56497672	1	Air Cleaner Assembly	67	56497670	1	Engine (Gas & LP)
	56497718	1	Air Filter Element		56497751	1	Engine (Diesel)
18		2	M8 x 1.25 x 16 Bolt	68		4	5/16-24 x 1 Bolt
19	56497715	1	Ignition Coil	69	56497749	1	Starter Motor
20	56497687	1	Cover Plate	70	56497669	1	Oil Filter
21	56497716	1	Voltage Regulator	71	56497667	1	Fan Belt
22	56496241	1	Pump Assembly	72	56497762	1	Alternator
23		2	3/8-16 x 1 1/2 Bolt	73	56497767	1	Exhaust Pipe Gasket
24		2	3/8 Flat Washer				
25	56497689	1	Bell Housing	*	56497765	1	Engine Gasket Kit
26	56759082	6	Bolt	*	56497764	1	Oil Sender
27	56497745	1	Bracket (Diesel only)	*	56497763	4	Spark Plug
28	56497731	1	Tube (LP & Gas only)	*	56497766	4	Glow Plug/Diesel
29	56480826	1	Sprocket	*	56497770	1	Fuel Pump/Diesel
30	56480820	1	Chain Coupler	*	56497774	1	Temp Sender
31	56497675	1	Sprocket				
32		4	5/16-18 x 5/8 Set Screw				
33		1	1/4-20 x 1 Screw				
34	56122203	2	Key				
35	56497674	1	Sleeve				
36	56497673	1	Stub Shaft				
37		6	M8 x 1.25 x 25 Bolt				
38		3	5/16-18 x 3/4 Bolt				
39	56497691	1	Exhaust Pipe				
40	56497680	1	Left Skid Plate				
41		10	M10 Flat Washer				
42	56455778	10	M10 x 1.25 x 16 Bolt				
43		4	1/2-13 x 2-1/4 Bolt				
44		8	1/2 Flat Washer				
45	56478685	4	Rubber Mount				
46		4	1/2 - 13 Nut				
47	56343236	1	Clamp				
48	56744580	1	Plug				
49	56900030	1	Barb				
50	56456594	1	Hose				

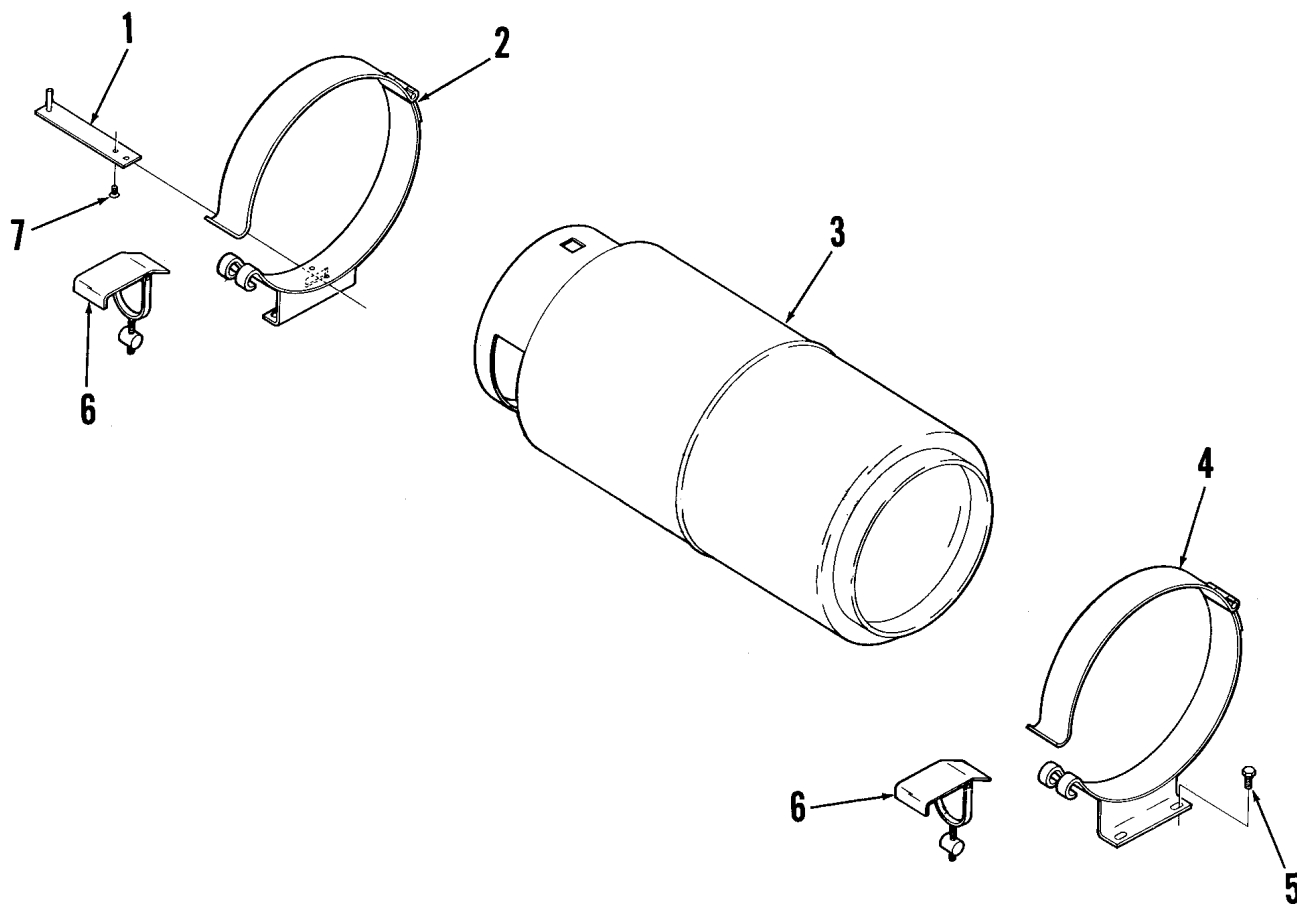
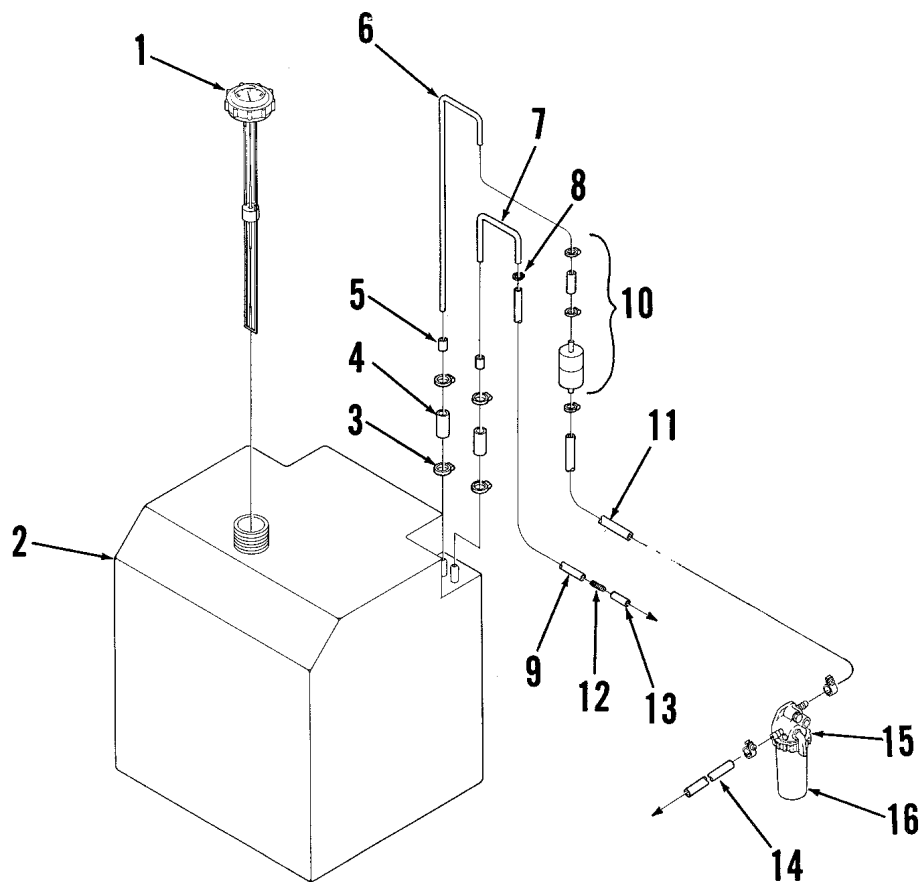
\* = Not Shown



## LIQUID PROPANE SYSTEM

Item	Part No.	Qty	Description
1	56369683	1	Coupler, Propane Tank
2	56369675	1	Coupler
3	56456598	2	Elbow
4	56497726	1	Hose
5	56456600	2	Connector
6	56456622	1	Fuel Filter W/Washer & Nut
7	56456624	1	Vent
8	56456591	1	Hose
9	56112771	2	Hose Clamp
10	56456596	1	Hose
11		2	M8 x 1.25 Nut
12		2	Flat Washer
13		1	Gasket (included with item #14)
14	56497723	1	Adapter (To Carburetor)
15	56497724	2	Stud
16	56369632	3	Elbow
17	56368938	2	Elbow
18	56373456	1	Barb
19	56497725	1	Hose (To Air Filter)
20	56456626	1	Shut-Off Valve
21	56456610	1	Elbow
22	56456632	1	Vacuum Switch
23	56155640	2	Barb
24	56219932	3	Hose Clamp
25	56456594	2'	Hose (To Water Pump) (610 mm)
26	56111309	1	Elbow (To Intake Manifold)
27	56477522	2	Barb
28	56756364	2	Hose Clamp
29	56457098	1	Hose
30	56752020	1	Tee
31	56750746	1	Nipple
32		2	1/4-20 x 1-1/4 Screw
33	56109037	2	Bushing
34	56497721	1	Regulator
35	56750363	1	Adapter
36	56497722	1	Load Elbow
*	56497732	1	Wire Assembly

\* = Not Shown

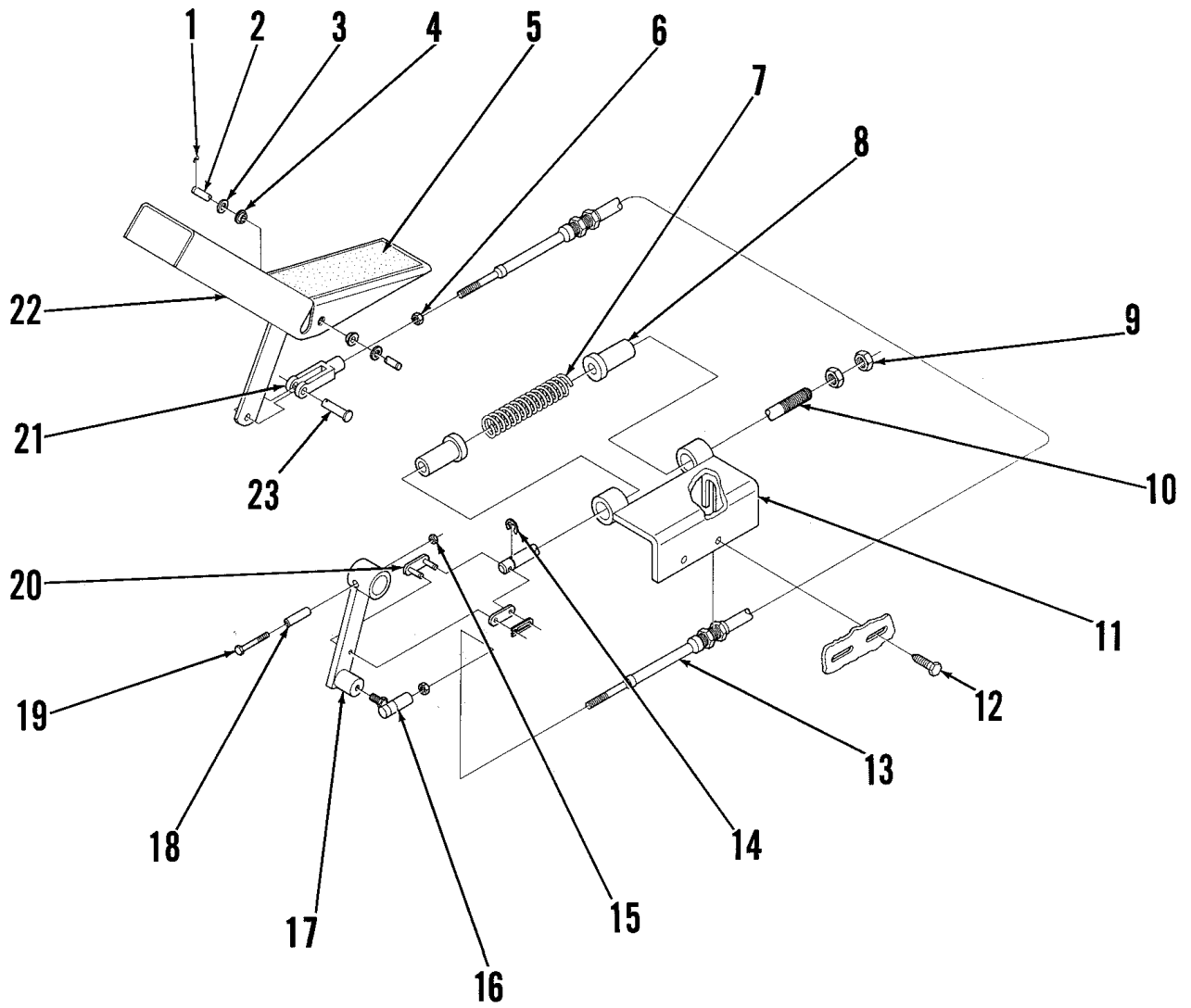


## FUEL TANK ASSEMBLY - GAS AND DIESEL

Item	Part No.	Qty	Description
1	56497427	1	Fuel Tank Cap/Gauge
2	56497515	1	Fuel Tank (Gas)
	56497737	1	Fuel Tank (Diesel)
3	56219932	4	Hose Clamp
4	56497539	2	Hose
5	56497537	2	Hose
6	56497536	1	Stand Tube
7	56497738	1	Stand Tube (Diesel)
8	56756364	2	Hose Clamp (Diesel)
9	56497540	1	Hose
10	56492885	1	Fuel Filter Assembly
11	56481686	1	Hose
12	56497776	1	Barb (Diesel)
13	56497777	1	Hose (Diesel)
14	56492260	1	Hose (Diesel)
15	56497753	1	Fuel Filter Assembly
16	56497756	1	Fuel Filter Element

## FUEL TANK - LIQUID PROPANE

Item	Part No.	Qty	Description
1	56497617	1	Pin Weldment
2	56481996	1	Mounting Bracket Right
3	56456590	1	LP Tank
4	56481994	1	Mounting Bracket Left
5		4	1/4 - 20 x 9 Screw
6	56481997	2	Latch
7		2	1/4 - 20 x 1/2 Screw

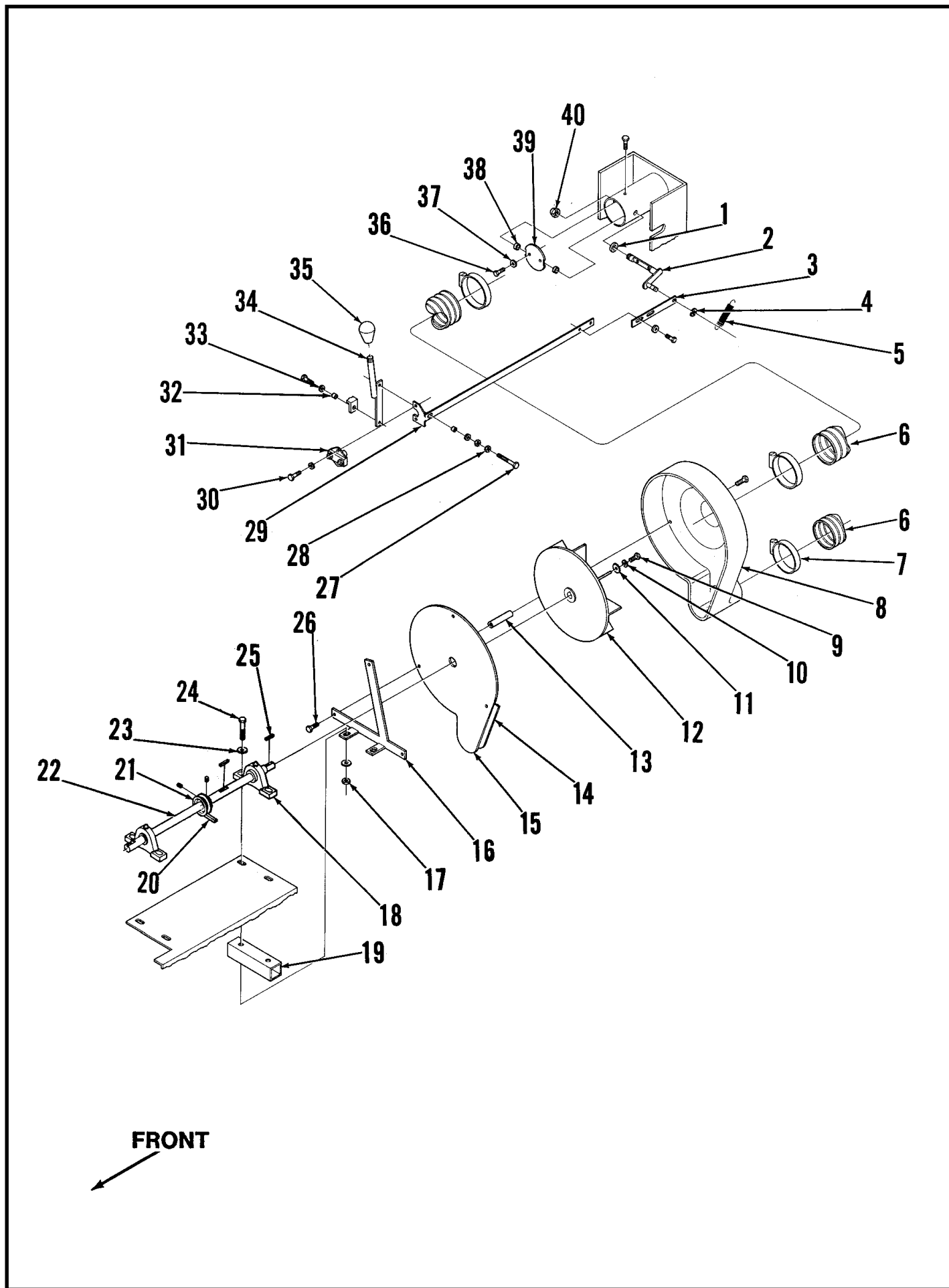


**FRONT**  
↙

## ACCELERATOR LINKAGE ASSEMBLY (497312)

Item	Part No.	Qty	Description
1	56321125	2	Retaining Ring
2	56448050	1	Shaft
3		2	1/4 Flat Washer
4	56206849	2	Bushing
5	56449958	1	Pedal Mat
6		2	#10-32 Nut
7	56373869	1	Spring
8	56497577	2	Flange Bushing
9		2	3/8-16 Nut
10	56497317	1	Centering Shaft
11	56497581	1	Centering Bracket
12		2	1/4-20 x 1/2 Screw
13	56497319	1	Cable
14	56321427	1	Retaining Ring
15		1	#6-32 Nut
16	56488290	1	Ball Joint
17	56497547	1	Lever
18	56469872	1	Roll Pin
19		1	#6-32 x 1-1/4 Screw
20	56445096	1	Link Assembly
21	56492543	1	Clevis
22	56497313	1	Pedal
23	56493008	1	Pin
*		1	3/8-16 x 2-3/4 Screw (Forward Pedal Stop)
*		1	3/8-16 x 1-3/4 Screw (Reverse Pedal Stop)

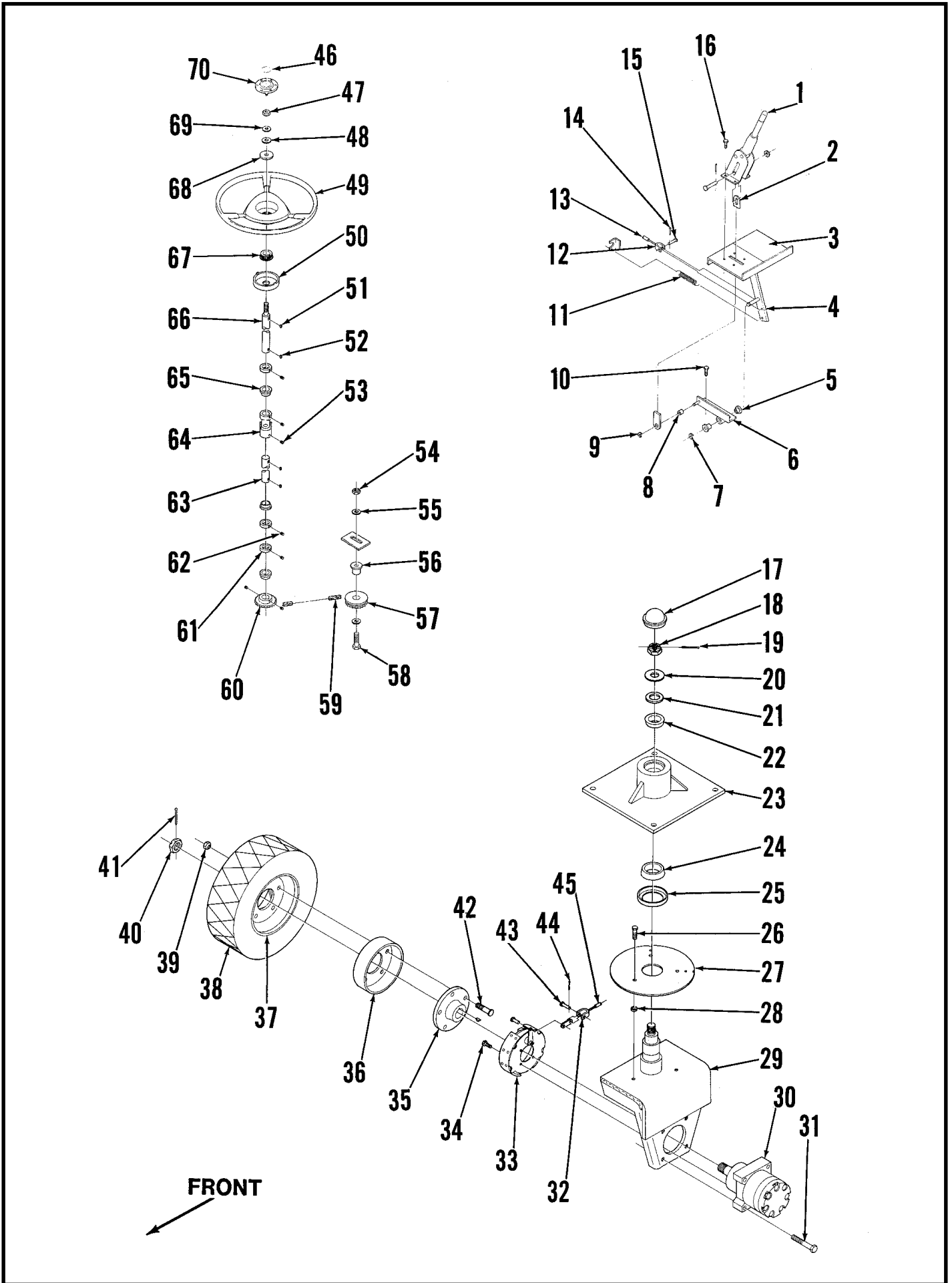
\* = Not Shown



## IMPELLER ASSEMBLY

Item	Part No.	Qty	Description
1	56232181	1	Bushing
2	56482224	1	Shaft
3	56497302	1	Bar
4	56373797	1	Retaining Ring
5	56365068	1	Spring
6	56482319	2	Flex Hose
7	56352829	4	Hose Clamp
8	56482217	1	Shroud
9		1	5/16-24 x 1-1/4 Screw
10		1	5/16 Lock Washer
11	56358956	1	Washer
12	56478668	1	Impeller
13	56478762	3	Spacer
14	56209434	1'	Gasket (305 mm)
15	56482321	1	Plate
16	56481490	1	Bracket
17		4	3/8-16 Whiz Nut
18	56494506	2	Pillow Block <b>TSB 639</b>
	56101737	2	Grease Fitting
19	56497527	1	Spacer
20	56471087	1	V-Belt
21	56482138	1	Pulley
		2	5/16-18 x 3/8 Set Screw
22	56497296	1	Shaft
23		8	3/8 Flat Washer
24		2	3/8-16 x 3 Screw
		2	3/8-16 x 1-1/2 Screw
25	56367958	2	Square Key
26		6	1/4-20 x 1 Screw
27		1	1/4-20 x 2-3/4 Screw
28		2	1/4-20 Nut
29	56478002	1	Linkage Arm
30		5	1/4-20 x 3/4 Screw
31	56441555	1	Shaker Switch
32	56379298	2	Bushing
33		5	1/4 Flat Washer
34	56477993	1	Lever
35	56492792	1	Knob
36		2	#6-32 x 3/4 Screw
37		2	#6 Flat Washer
38	56329098	2	Bearing
39	56469208	1	Plate
40	56453771	1	Acorn Nut
*	56497423	1	Shaker Motor Wiring Harness (Not Shown)

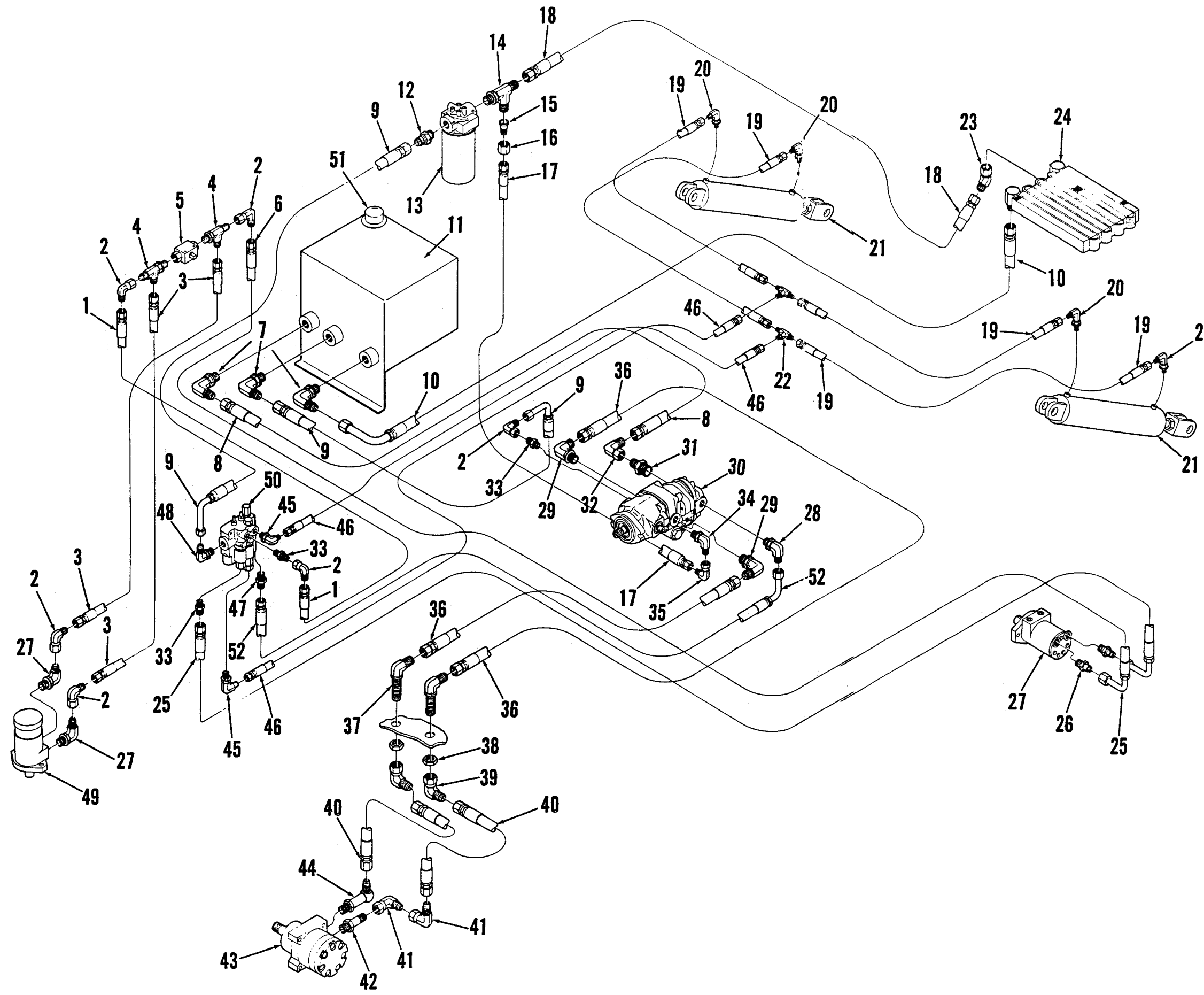
\* = Not Shown



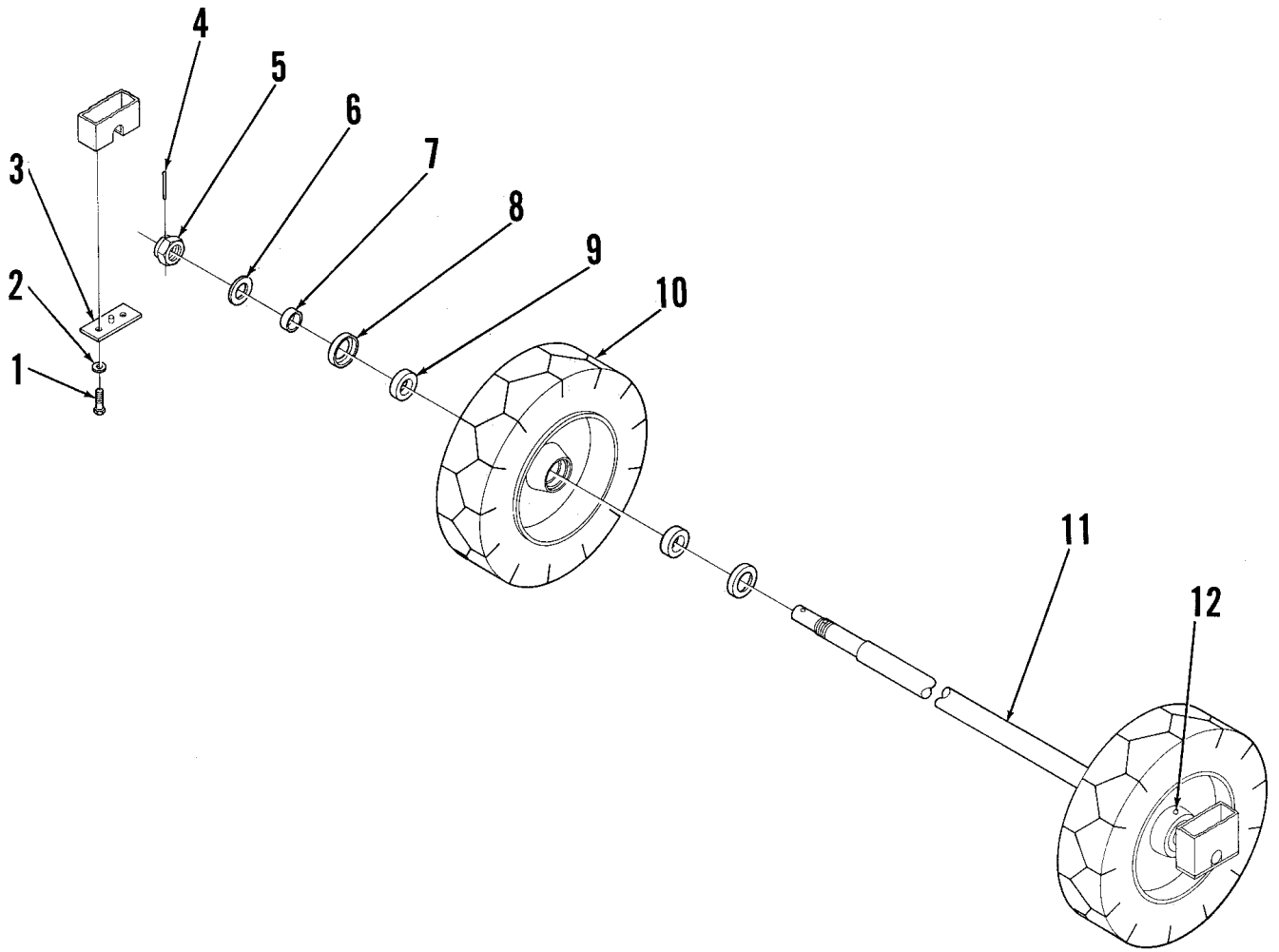
## FRONT WHEEL AND STEERING

Item	Part No.	Qty	Description	Item	Part No.	Qty	Description
1	56448200	1	Brake Lever Assembly	39	56497257	5	Lug Nut
2	56497268	1	Link	40	56477739	1	Nut (old style 1-20 nut)
3	56497066	1	Pedal Mat		56462927	1	Nut (new style 1-1/8-18 nut)
4	56497260	1	Pedal	41		1	Cotter Pin
5	56185264	2	Flange Bearing	42	56497252	5	Stud
6	56497264	1	Bracket	43	56493030	2	Pin
7	56468834	1	Retaining Ring	44		2	Cotter Pin
8	56368970	1	Bushing	45	56493010	1	Brake Cable
9	56321427	1	Retaining Ring	46	56014448	1	Decal, Logo
10		2	5/16-18 x 1 Screw	47		1	1/2-20 Jam Nut
11	56365068	1	Spring	48			1/2 Flat Washer
12	56493045	1	Clevis	49	56497306	1	Steering Wheel
13	56493010	1	Cable	50	56497308	1	Cup
14		2	3/32 x 3/4 Cotter Pin	51	56154083	1	Woodruff Key
15	56493030	1	Pin	52	56124028	3	Woodruff Key
16		4	1/4-20 x 1/2 Screw	53		2	3/5-16 x 1/2 Set Screw
17	56483135	1	Grease Cap	54		1	5/16-18 Whiz Nut
18	56110817	1	Castle Nut	55		2	5/16 Flat Washer
19		1	1/8 x 1-1/2 Cotter Pin	56	56497311	1	Flange Bushing
20	56101656	1	Washer	57	56454079	1	Sprocket
21	56497241	1	Bushing		56101737	1	Grease Fitting
22	56492699	1	Bearing	58		1	5/16-18 x 1-3/4 Screw
	56492697	1	Bearing Race	59	56497310	1	Chain
23	56497242	1	Mounting Plate	60	56471148	1	Sprocket
24	56492700	1	Bearing	61	56367095	3	Collar
	56492702	1	Race	62		5	5/16-18 x 5/16 Set Screw
25	56493191	1	Seal	63	56497309	1	Lower Shaft
26		3	5/16-18 x 1-1/4 Screw	64	56454081	1	Universal Joint
27	56497258	1	Sprocket	65	56250414	3	Flange Bearing
28	56232181	3	Spacer	66	56454093	1	Upper Shaft
29	56497246	1	Spindle	67	56497560	1	Adapter
30	56497329	1	Motor <b>TSB 543</b>	68	56497542	1	Washer
	56497787	1	Motor (after SN468199)	69		1	1/2 Shakeproof Washer
	56503025	1	Seal Kit for 497329	70	56497543	1	Cap
	56498000	1	Seal Kit for 497787				
31		4	1/2-13 x 2 Screw				
32	56493045	1	Clevis				
33	56497251	1	Brake Assembly				
34		4	5/16-18 x 3/4 Screw				
35	56497253	1	Adapter				
36	56497254	1	Drum				
37	56497256	1	Hub				
38	56448145	1	Tire				

### HYDRAULIC SYSTEM



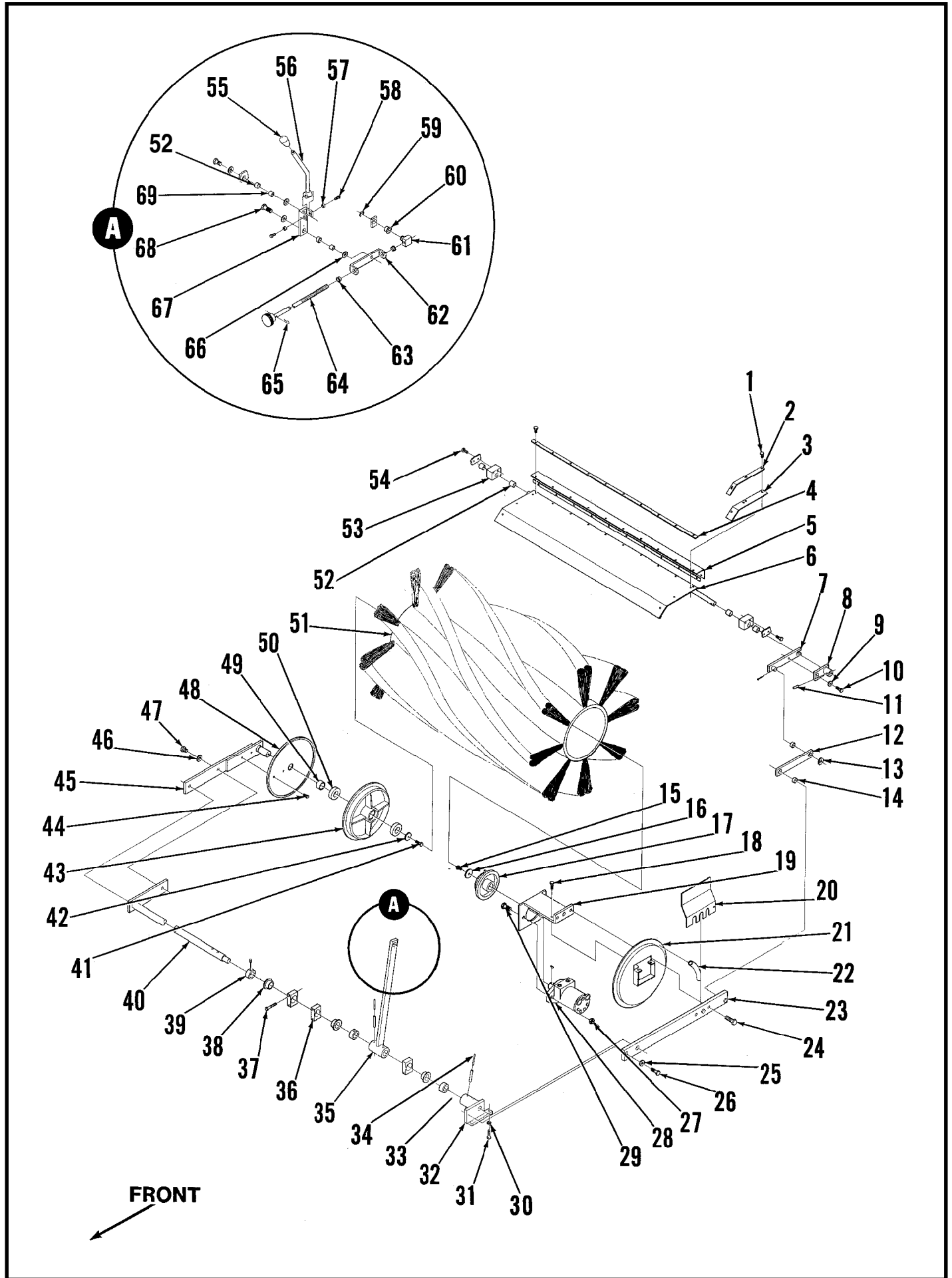
Item	Part No.	Qty	Description
1	56496216	1	Hose
2	56900304	6	Elbow
3	56479593	2	Hose
4	56900204	2	Tee
5	56496273	1	Side Broom Speed Valve
6	56497564	1	Hose
7	56900106	3	Elbow
8	56488480	1	Hose
9	56497345	2	Hose
10	56457284	1	Hose
11	56457282	1	Hydraulic Oil Tank
12	56900006	1	Connector
13	56497332	1	Hydraulic Filter Assembly
	56496209	1	Hydraulic Oil Filter Element
	56496001	1	Filter Head Assy.
14	56900206	1	Tee
15	56900468	1	Reducer
16	56900506	1	Nut
17	56497327	1	Hose
18	56456911	1	Hose
19	56488750	4	Hose
20	56900101	4	Elbow
21	56479646	2	Hopper Lift Cylinder
22	56900441	2	Tee
23	56900326	1	Elbow
24	56457282	1	Oil Cooler
25	56497564	2	Hose
26	56900004	2	Connector
27	56497525	1	Main Broom Motor
	56503062	1	Seal Kit for 497525
28	56900114	1	Elbow
29	56900106	2	Elbow
30	56496241	1	Pump Assembly
	56479608	1	Seal Kit for 496241
31	56900018	1	Connector
32	56900306	1	Elbow
33	56900020	1	Connector
34	56900303	1	Elbow
35	56900112	1	Elbow
36	56456943	2	Hose
37	56900406	2	Elbow (includes item 38)
38		2	Nut
39	56900306	2	Elbow
40	56497330	2	Hose
41	56900305	2	Elbow
42	56900055	1	Connector
43	56497329	1	Wheel Drive Motor
	56503025	1	Seal Kit for 497329
44	56900525	1	Elbow
45	56900110	2	Elbow
46	56488745	2	Hose
47	56900004	1	Connector
48	56900104	1	Elbow
49	56479609	1	Side Broom Motor
	56479575	1	Seal Kit for 479609
50	56497524	1	Control Valve
51	56479656	1	Filler Cap
52	56497344	1	Hose



## REAR WHEELS

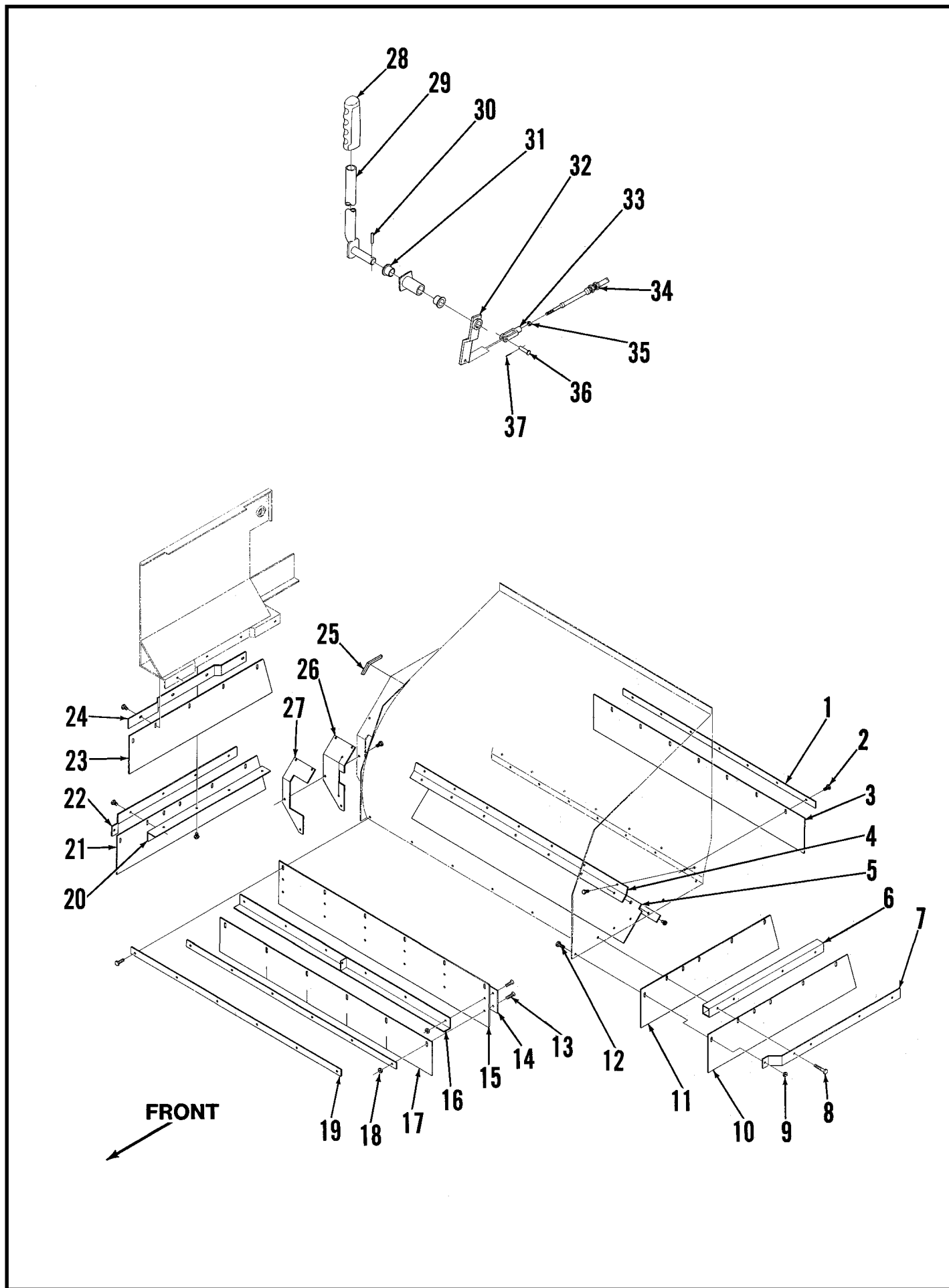
Item	Part No.	Qty	Description
1		4	3/8-16 x 1-1/4 Screw
2		4	3/8 Washer
3	56497232	2	Plate
4		2	3/16 x 1 Cotter Pin
5	56101265	2	Castle Nut
6	56101656	2	Washer
7	56477729	2	Spacer
8	56477724	4	Seal
9	56378267	4	Roller Bearing
*	56378259	4	Bearing Race
10	56448145	2	Tire
	56497233	2	Hub
11	56497231	1	Axle
12	56344362	2	Grease Fitting

\* = Not Shown



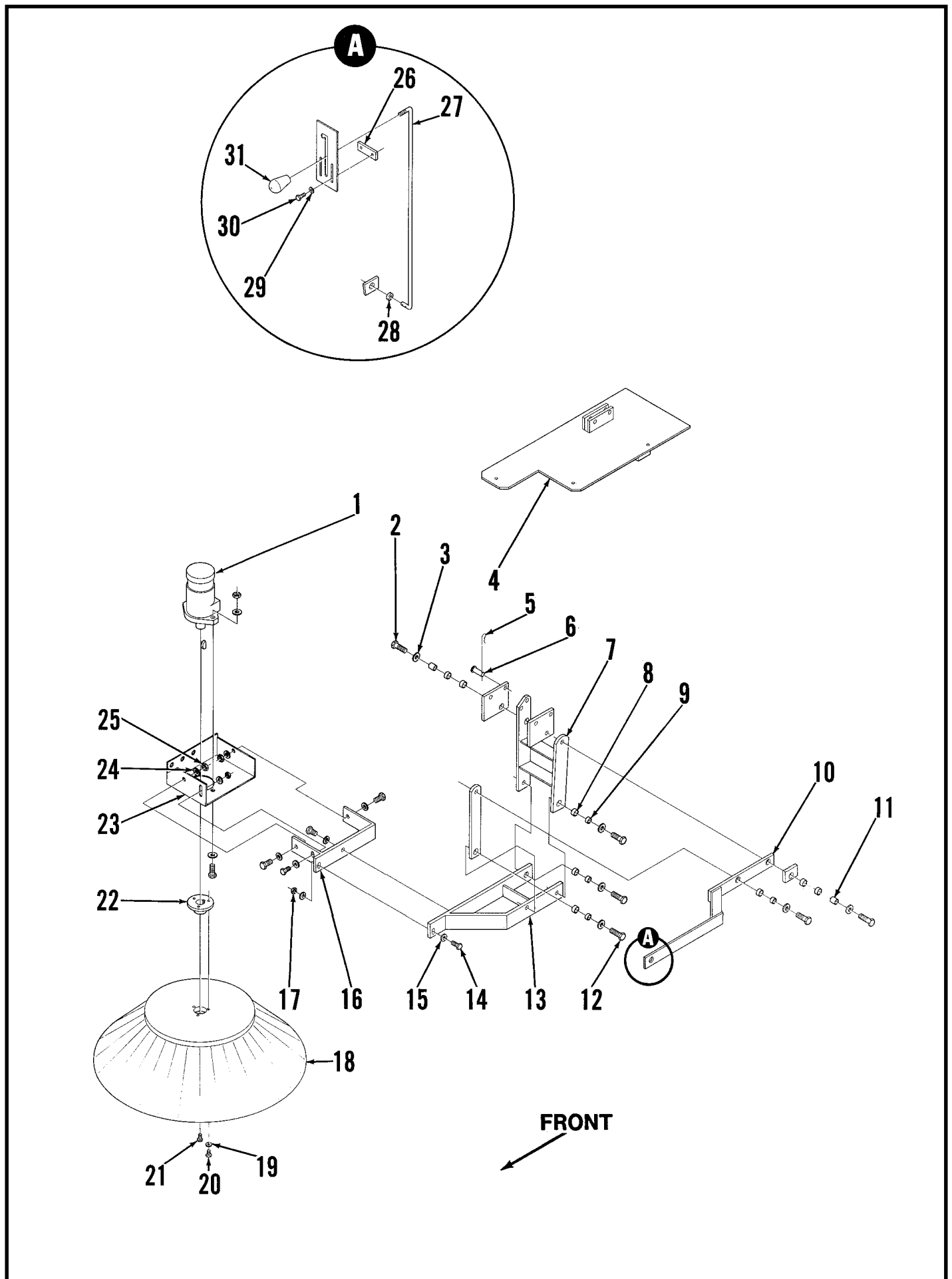
## MAIN BROOM ASSEMBLY

Item	Part No.	Qty	Description	Item	Part No.	Qty	Description
1		16	3/16-18 x 1/2 Screw	41		1	5/16-18 x 1 Screw
2	56497403	2	Strap	42	56358959	1	Plated Washer
3	56497402	2	Wrap Side Seal	43	56477760	1	Idler Hub
4	56497401	2	Strap	44		2	1/4-20 x 1/2 Screw
5	56497400	1	Wrap Skirt	45	56497385	1	Arm
6	56497395	1	Wrap	46		1	1/2 Flat Washer
7	56497535	1	Arm	47		1	1/2-13 x 3/4 Screw
		1	1/8 x 1 Cotter Pin	48	56479439	1	String Guard
8	56497391	1	Wrap Adjuster	49	56479434	1	Bushing
9		1	5/16 Flat Washer	50	56479430	2	Roller Bearing
10		1	5/16-18 x 5/8 Screw	51	56505044	1	Standard Main Broom/8 Row
11		1	1/4 x 1 Roll Pin		56477736	2	Drive Insert for Broom
12	56497389	1	Wrap Link		56505046	1	Optional Main Broom/16 Row
13		2	5/8 Flat Washer		56505047	1	Optional Main Broom/16 Row
14	56370878	2	Sleeve Bearing	52	56491656	6	Sleeve, Bearing
15		1	1/4-20 x 3/4 Screw	53	56497394	2	Wrap Pivot Block
16		1	1/4 Flat Washer	54		4	1/4-20 x 1 Screw
17	56477762	1	Broom Motor Hub	55	56364527	1	Knob
18		2	1/4-20 x 3/4 Screw	56	56497411	1	Handle
19	56497362	1	Motor Mount	57	56320595	2	Bushing
20	56497236	1	Bracket	58		2	5/16-18 x 1/2 Screw
21	56497366	1	String Guard	59		1	Retaining Ring
22	56483549	3'	Gasket (915 mm)	60	56171095	1	Flange Bearing
23	56497371	1	Arm	61	56497404	1	Swivel
24		2	1/2-13 x 1 Screw	62	56497408	1	Swivel
25		1	7/16 Flat Washer	63	56185264	2	Flange Bearing
26		1	7/16-20 x 3/4 Screw	64	56497405	1	Adjuster Rod
27		2	1/2-13 Nut	65		1	Pin
28	56497525	1	Main Broom Motor	66		4	1/2 Flat Washer
	56479577	1	Seal Kit for above	67	56497409	1	Lever
		1	1 x 1/4 Woodruff Key	68		2	1/2-13 x 3/4 Screw
29		2	1/2-13 x 1-1/2 Screw	69	56367206	2	Bushing
30		2	3/8-16 Nut				
31		2	3/8-16 x 2 Screw				
32	56497373	1	Adjuster				
33		4	5/16 x 1-1/2 Roll Pin				
34		4	3/32 x 1-1/2 Roll Pin				
35	56497377	1	Lift Arm				
36	56497383	3	Block				
37		6	5/16-18 x 1 Screw				
38	56491650	3	Flange Bearing				
39	56444820	3	Collar				
		3	5/16-18 x 1/2 Set Screw				
40	56497380	1	Pivot Shaft				



## BROOM HOUSING AND SKIRTS

Item	Part No.	Qty	Description
1	56497509	2	Strap
2		30	1/4-20 x 3/4 Screw
3	56497508	1	Outer Rear Skirt
4	56497526	1	Skirt Bracket
5	56497506	1	Inner Rear Skirt
6	56497413	1	Skirt Bracket
7	56497419	1	Strap
8		4	1/4-20 x 2-1/2 Screw
9		2	1/4-20 Nut
10	56497504	1	Outer Left Skirt
11	56497505	1	Inner Left Skirt
12		2	1/4-20 x 1 Screw
13		12	1/4-20 x 1-1/2 Screw
14	56497498	1	Strap
15	56497496	1	Front Skirt
16	56497499	1	Angle Weldment
17	56497497	1	Front Skirt
18		12	1/4-20 Nut
19	56497494	2	Front Strap
20	56497415	1	Skirt Bracket
21	56497504	1	Outer Right Skirt
22	56497419	1	Strap
23	56497482	1	Inner Right Skirt
24	56497424	1	Strap
25	56490110	1'	Gasket (305 mm)
26	56497322	1	Seal
27	56497323	1	Seal Bracket
28	56514085	1	Hand Grip
29	56497489	1	Lever
30		1	3/16 x 1 Roll Pin
31	56171095	2	Flange Bearing
32	56497492	1	Lever
33	56492543	2	Clevis
34	56497444	1	Cable
35		2	#10-32 Nut
36	56493008	2	Pin
37		2	Cotter Pin



## SIDE BROOM

Item	Part No.	Qty	Description
1	56479609	1	Side Broom Motor
	56479575	1	Seal Kit for 479609 Motor
2		2	1/2-13 x 1-1/2 Screw
3		12	1/2 Flat Washer
4	56497616	1	Mount Plate
5	56321406	1	Hair Pin
6	56486733	1	Pin
7	56497594	1	Pivot
8	56370878	8	Bushing
9	56360627	4	Bushing
10	56497114	1	Lift Arm
11	56367486	2	Bushing
12		9	1/2-13 x 1 Screw
13	56497592	1	Bracket
14		2	3/8-16 x 1-1/2 Screw
15		2	3/8 Flat Washer
16	56479903	1	Bracket
17		2	3/8-16 Whiz Nut
18	56477812	1	Side Broom
19		3	5/16 Flat Washer
20		3	5/16-18 x 1-1/4 Screw
21		1	1/4-20 x 1 Screw
22	56479948	1	Hub
23	56479945	1	Bracket
24		3	1/2 Lock Washer
25		4	1/2-13 Nut
26	56497118	1	Plate
27	56497599	1	Lift Rod
28	56368970	1	Bearing
29		2	1/4 Flat Washer
30		2	1/4-20 x 1/2 Screw
31	56492792	1	Knob



# HOPPER ASSEMBLY

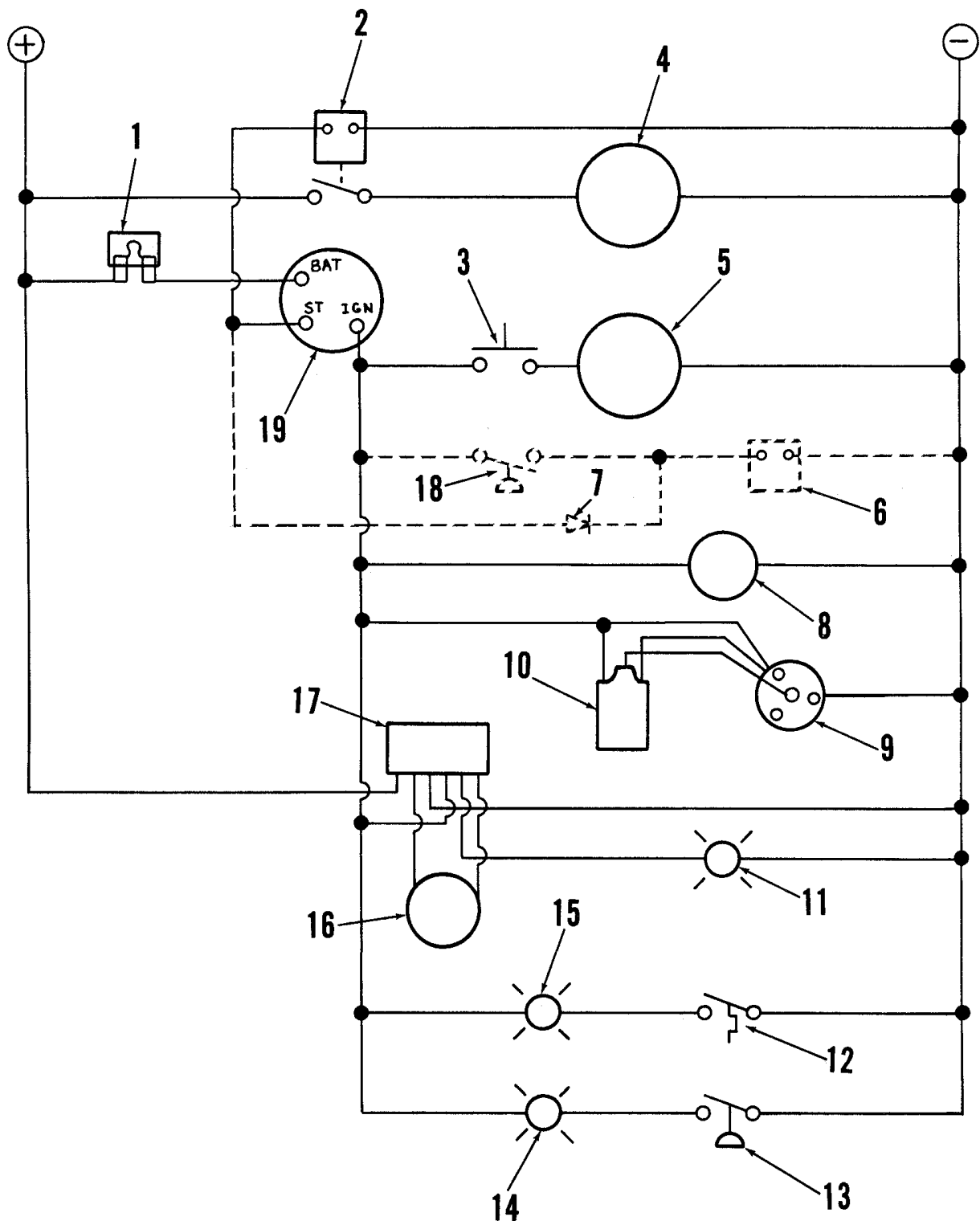
Item	Part No.	Qty	Description	Item	Part No.	Qty	Description
1	56497201	1	Door	36	56497209	2	Lower Arm
2		1	Decal, Hands Clear	37		2	3/8-24 x 3/4 Screw
3		3	#10-32 x 3/4 Screw	38	56497220	6	Pin
4		2	#10-24 x 1/2 Set Screw	39		16	1/8 x 1-1/2 Cotter Pin
5	56491822	1	Eccentric	40	56497205	1	Screen
6	56491872	4	Shoulder Bolt	41	56490110	3'	Gasket (915 mm)
7	56489109	2	Bracket	42	56497120	1	Hopper
8	56171177	2	Spring	43	56491848	2	Lever
9		4	1/4-20 x 3/4 Screw		56491826	2	Pin
10	56494381	1	Hold Down		56321125	4	Retaining Ring
	56497204	1	Hold Down Assembly	44	56491860	2	Hold Down
11	56023320	1	Decal, Filter			8	#8-32 HP-5
12	56478246	4	Cable Tie	45	56483549	9'	Gasket (2743 mm)
13	56497197	1	Grip	46	56494485	1	Gasket
14	56497182	1	Lever	47	56494479	1	Filter W/Gasket
15	56449227	9'	Gasket (2743 mm)	48		2	5/16-18 Nut
16	56497184	1	Dump Door	49	56468331	1	Motor Mount
17		2	1/2-13 x 1 Screw	50	56491820	1	Shaker Motor
18		2	1/2 Flat Washer	*	56491823	1	Carbon Brush kit (for 491820)
19	56360627	2	Bushing		56497422	1	Shaker Motor Wire Assembly
20	56171095	2	Bearing		56323092	1	Strain Relief
21	56497192	2	Link	51	56468329	1	U-Bolt
22		1	Collar	52		2	1/4-20 x 3/4 Screw
23		2	3/16 x 1 Pin	53		4	1/4 Flat Washer
24		4	5/16-18 x 3/4 Screw	54	56206784	1	Bushing
25	56497196	2	Plate	55	56449262	1	Latch
26	56370878	6	Bushing	56	56384708	1	Step Bushing
27	56478775	4	Retaining Ring	57	56761068	1	Hinge
28	56497195	2	Link	58		2	1/4-20 Lock Nut
29		6	1/2-13 x 1-1/4 Screw	59	56014322	1	Decal, Logo
30	56497224	1	Left Plate	60	56497470	1	Right Hopper Side Panel
*	56497225	1	Right Plate	61	56497457	1	Right Brace
31	56444944	16	Bushing	62	56025100	3	Decal, Warning
32	56497214	1	Upper Left Arm	63	56016543	1	Decal, Advance
*	56497215	1	Right Arm	64	56497456	1	Left Brace
*	56344362	8	Grease Fitting	65	56497469	1	Left Hopper Side Panel
33	56497221	2	Cylinder Pin				
34	56479646	2	Cylinder				
35	56378372	4	Bushing				

\* = Not Shown



## HYDRAULIC CONTROL VALVES

Item	Part No.	Qty	Description
1		2	1/4-20 x 3/8 Screw
2	56496273	1	Valve
3	56492792	1	Knob
4	56493228	1	Lever
5	56151807	1	Washer
6		1	#10-32 x 3/4 Screw
7	56364527	2	Knob
8	56497347	1	Lever
9	56185264	4	Flange Bushing
10	56468834	2	Retaining Ring
11	56477988	2	Linkage
12	56497524	1	Valve
13		2	1/4-20 x 1-3/4 Screw
14	56497351	1	Lever
15		4	#10-24 Nut
16	56497353	1	Plate
17		2	5/16-18 x 3/4 Screw

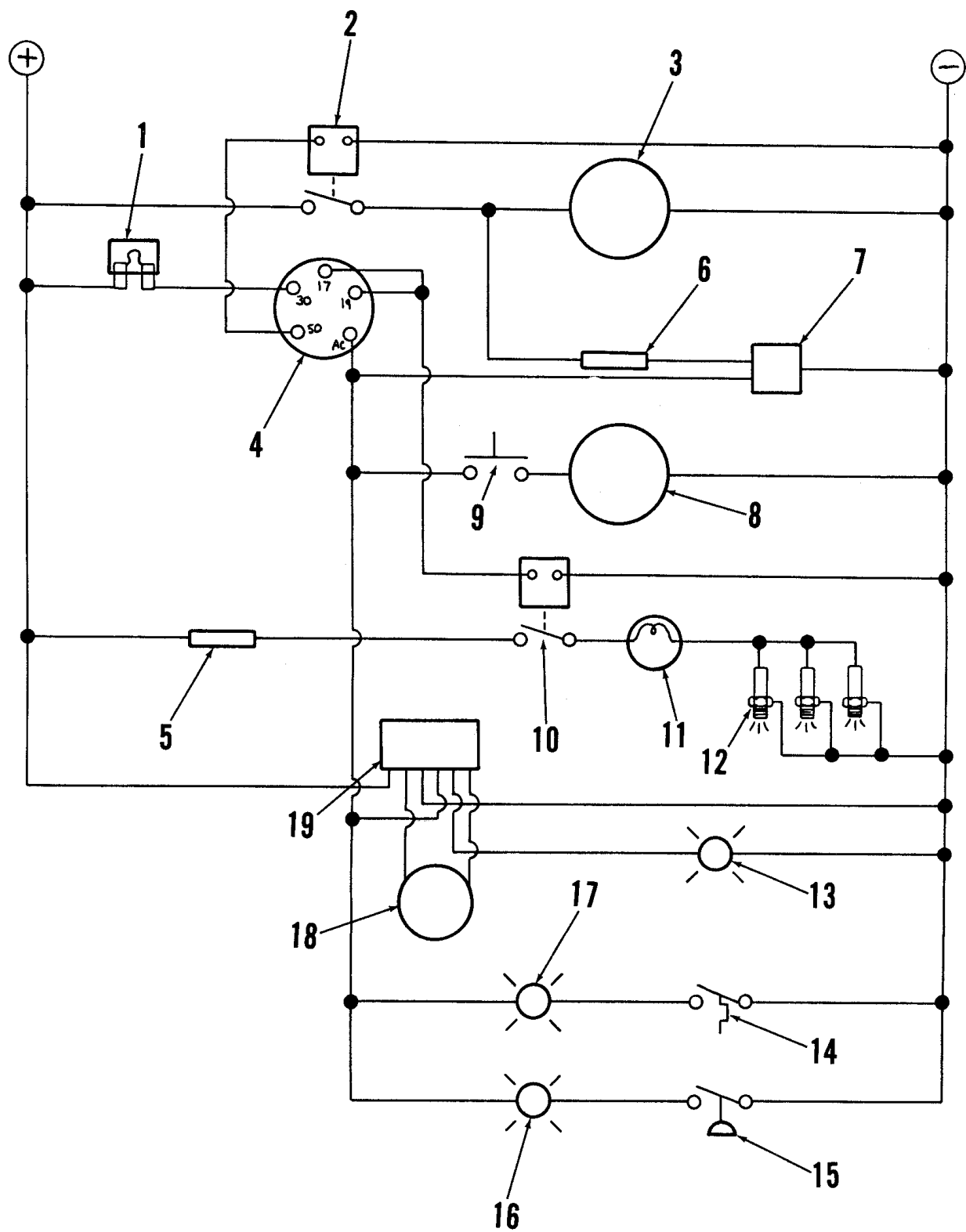


## GAS AND PROPANE WIRING DIAGRAM

Item	Part No.	Qty	Description
1	56900755	1	20 Amp Fuse
2		1	Starter Solenoid
3	56441555	1	Shaker Switch
4	56497749	1	Starter Motor
5	56491820	1	Shaker Motor
6	56456626	1	LP Fuel Solenoid
7		1	Diode
8	56497699	1	Fuel Pump
9		1	Distributor
10	56497715	1	Ignition Coil
11	56497704	1	Battery Indicator Light
12	56497774	1	Temp Switch
13	56497764	1	Oil Switch
14	56497202	1	Oil Indicator Light
15	56497703	1	Temp Indicator Light
16	56497762	1	Alternator
17	56497716	1	Voltage Regulator
18	56456632	1	Vacuum Switch
19	56478640	1	Key Switch
*	56497780	1	Battery Cable Assembly (2 Cables)

\* = Not Shown

--- Line indicates items on Propane Machines only



## DIESEL WIRING DIAGRAM

Item	Part No.	Qty	Description
1	56900755	1	20 Amp Fuse
2		1	Starter Solenoid
3	56497749	1	Starter
4	56497754	1	Key Switch
5		1	Fuse Link
6		1	Fuse Link
7	56497752	1	Fuel Solenoid
8	56491820	1	Shaker Motor
9	56441555	1	Shaker Switch
10	56441546	1	Glow Plug Solenoid
11	56497755	1	Glow Plug Indicator
12	56497766	3	Glow Plug
13	56497704	1	Battery Indicator Light
14	56497774	1	Temperature Sender
15	56497764	1	Oil Sender
16	56497702	1	Oil Indicator Light
17	56497703	1	Temp Indicator Light
18	56497762	1	Alternator
19	56497716	1	Voltage Regulator
*	56497742	1	Wiring Harness

\* = Not Shown

## ACCESSORIES AND OPTIONS

<b>Part No.</b>	<b>Qty</b>	<b>Description</b>
56497031	1	Dual Element Air Filter Kit
56497024	1	Horn Kit
56497022	1	Headlight Kit
56497026	1	Beacon Kit (Gas & Propane Machines only)
56497027	1	Beacon Kit (Diesel Machines only)
56497021	1	Hour Meter Kit
56497025	1	Overhead Guard Kit
56497028	1	Vacuum Hose & Wand Kit
56505046	1	Main Broom, 16 Row Polycorn & Polypropylene
56505047	1	Main Broom, 16 Row Polypropylene



Nilfisk-Advance, Inc.  
14600 21st Avenue North  
Plymouth, MN, 55447-3408  
[www.nilfisk-advance.com](http://www.nilfisk-advance.com)  
Phone: 800-989-2235  
Fax: 800-989-6566  
©2000 Nilfisk-Advance, Inc.,  
Plymouth, MN 55447-3408  
Printed in the U.S.A.