



# Electronic Service Manuals

This electronic document is provided as a service to our customers. We do not create the contents of the information contained in this document. Should you have detailed questions pertaining to the information contained in this document, you may contact Michco, or the manufacturer which provided the original information in this electronic deliverable. Michco's only part in this electronic deliverable was the electronic assembly process.

You may contact Michco through the following methods:  
Phone (517) 484-9312 or (800) 331-3339 MI, OH, IN only  
2011 N. High St. -- Lansing, Michigan -- 48906  
Fax: (517) 484-9836  
Email: [CustServ@Michco.com](mailto:CustServ@Michco.com)  
Web site: [www.Michco.Com](http://www.Michco.Com)  
Parts Web site: [www.FloorMachineParts.Com](http://www.FloorMachineParts.Com)

Order Parts on Line at:  
**[www.FloorMachineParts.Com](http://www.FloorMachineParts.Com)**

Directly to Parts & Service:  
By Email: **[Shop@Michco.com](mailto:Shop@Michco.com)**  
By Fax: (517) 702-2041  
By Voice: Use numbers above.

**Serving the Cleaning Industry Since 1922**

Notice: All copyrighted material remains property of original owners, all trademarks are property of respective owners. Manuals are subject to Manufacturer's reproduction limitations. Originals or reproductions were provided by manufacturers through a request. We make no warranty as to the correctness of information provided in this document and you assume all risk.

# Retriever™ 5100G/P/D

---



## **PARTS LIST**

**Advance MODELS 56497839, 56497840, 56497873**

**This parts list is for gas/propane machines after serial number**

**1121008 and diesel machines after serial number 1151358**

**All models covered in this manual are OBSOLETE**



# **Advance**

*by Nilfisk-Advance*

2/96 revised 10/02 Form Number 56042308

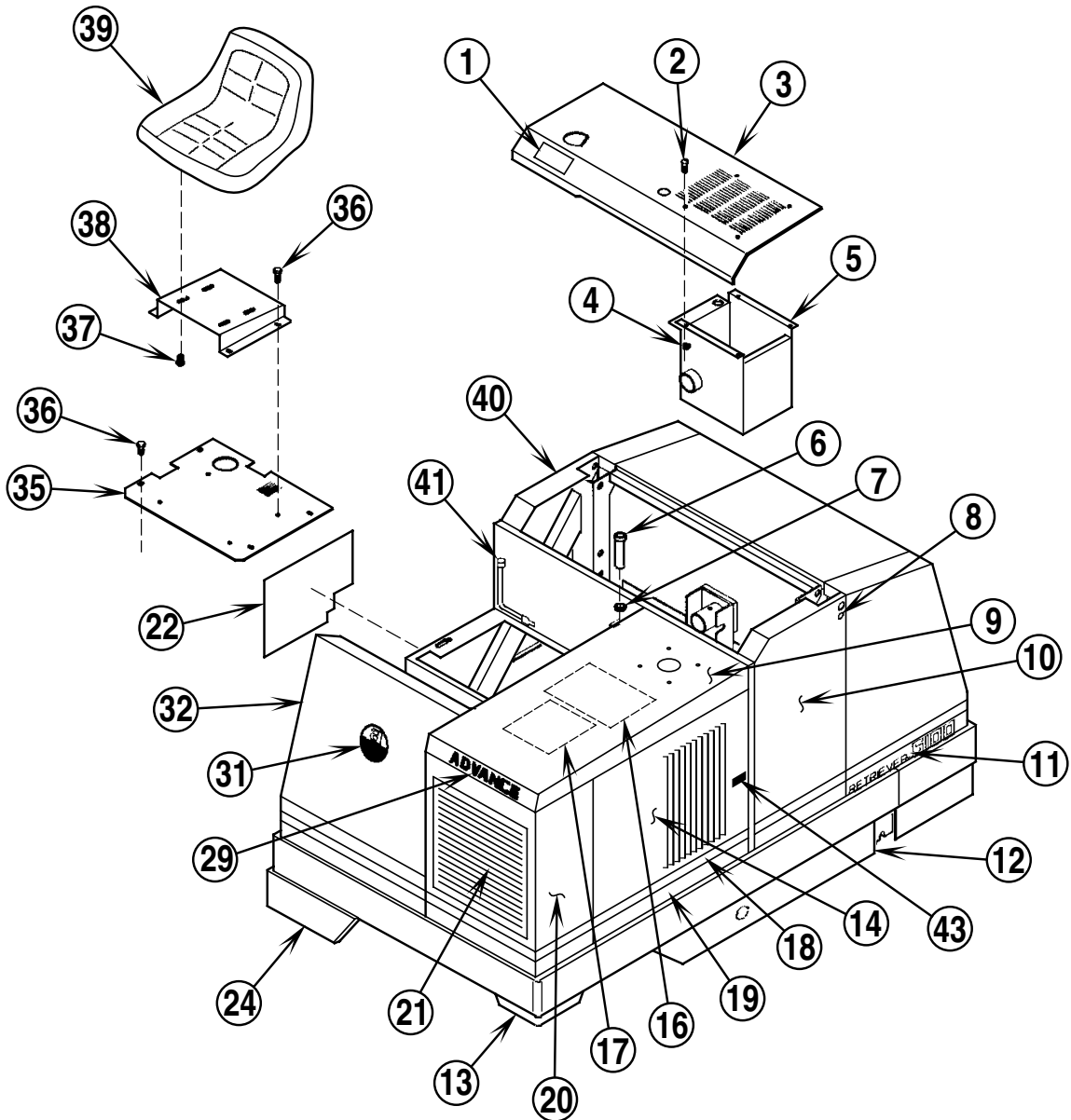
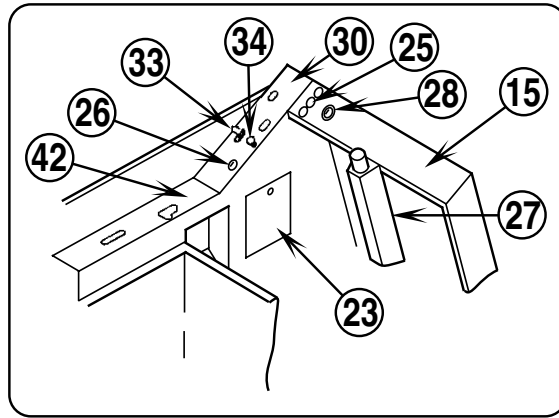
# TABLE OF CONTENTS

DESCRIPTION	PAGE
Housing Assembly .....	1-2
Gas Engine Assembly (before SN 1194515) .....	3-4
Gas Engine Assembly (after SN 1194514) .....	5-6
L.P. System .....	7-8
Diesel Engine Assembly (before SN 1194515) .....	9-10
Diesel Engine Assembly (after SN 1194514) .....	11-12
Fuel Tank Assemblies .....	13-14
Accelerator Linkage .....	15-16
Impeller Assembly .....	17-18
Brake Pedal Assembly .....	19-20
Front Wheel Assembly .....	21-22
Manual Steering Assembly .....	23-24
Hydraulic System .....	25-26
Power Steering System .....	27-28
Rear Axle Assembly .....	29-30
Main Broom Assembly .....	31-32
Broom Housing and Skirts .....	33-34
Side Broom Assembly .....	35-36
Hopper Lift Arms and Cylinders .....	37-38
Hopper .....	39-40
Dust Control Filter and Shaker Motor .....	41-42
Dump Door Assembly .....	43-44
Hydraulic Control Valves .....	45-46
Gas / LP Wiring Diagram .....	47-48
Diesel Wiring Diagram .....	49-50

### WHEN ORDERING PARTS

- \* Use the 8 digit numbers from the "Part No." columns in this parts list.
- \* Specify the model and serial number of the machine.
- \* Use the space below to record the model and serial number for future reference.

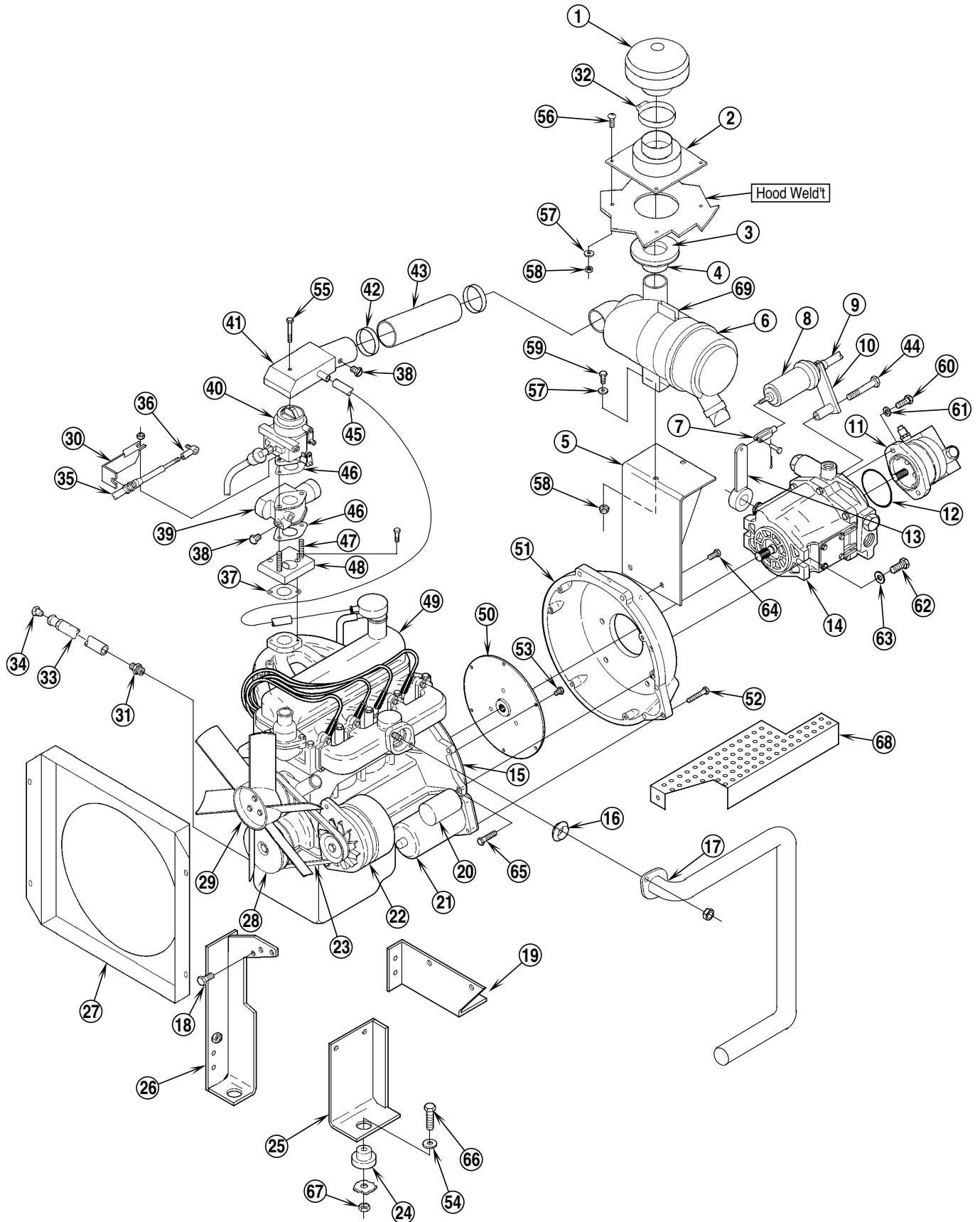
Model \_\_\_\_\_ Serial No. \_\_\_\_\_



# HOUSING ASSEMBLY

Item	Part No.	Qty	Description	Item	Part No.	Qty	Description
1	56026050	1	Decal, Gas	25	56497702	1	Light, Oil
2	56001836	4	Scr, Hex Hd 1/4-20 x .62		56497703	1	Light, Temperature
3	56497455	1	Cover Panel		56497704	1	Light, Battery
4	56002708	4	Nut, Hex Nyl Loc 1/4-20	26	56478640	1	Key Switch, Gas/LP
5	56497533	1	Duct	27	56497151	1	Channel
6	56477580	2	Safety Pin	28	56497754	1	Key Switch, Diesel
7	56477514	2	Grommet	29	56016543	1	Decal, Advance
8	56025120	4	Decal, Safety Pin	30	56014686	1	Decal, Control Panel
9	56497836	1	Hood	31	56014322	1	Decal, Logo
*	56014704	1	Decal, RPM	32	56497819	1	Chassis
*	56485549	103"	Seal (265 cm)	33	56456328	1	Throttle Control
*	56497554	1	Hinge	*	56456548	1	Throttle Cable Bracket
*	56482158	1	Prop Rod	*	56207489	2	Spacer
*	56168744	1	Grommet	34	56497701	1	Choke Cable Assembly/Gas
*	56477583	1	Cotter Pin	35	56497448	1	Seat Deck
10	56497472	1	Left Panel	36	56002155	8	Scr, Hex Hd 1/4-20 x .75
11	56014681	2	Decal, Retriever 5100	37	56002127	4	Scr, Hex Hd 3/8-16 x .75
12	56497062	1	Panel	38	56497179	1	Seat Bracket, Standard
13	56497637	1	Bracket	*	56497641	1	Seat Bracket, Optional
14	56497688	1	Door Panel	39	56448080	1	Seat, Standard
*	56386312	2	Leveler	*	56481346	1	Seat, Optional
*	56497859	1	Hinge	40	56497471	1	Right Panel
15	56014688	1	Decal, Control	41	56477598	1	Wrench
16	56014685	1	Decal, Hydraulic System (w/o power steering)		56477620	1	Clip
	56015937	1	Decal, Hydraulic System (w/power steering)	42	56014687	1	Decal, Lower Panel
17	56015853	1	Decal, Wiring/Gas/LP	43	56493272	1	Latch <b>TSB 760</b>
	56015942	1	Decal, Wiring/Diesel	*	56497067	1	Floor Mat
18	56024006	4	Red and Black Stripe	*	56469193	1	Battery Hold Down Assy
19	56014778	4	Grey Stripe	**	56497025	1	Overhead Guard Kit
20	56497812	1	Radiator Cowl	**	56497028	1	Vacuum Hose and Wand Kit
*	56497821	2	Radiator Flashing				
*	56497860	6	Panel Retainer				
21	56482079	1	Front Grill				
22	56497149	1	Panel				
23	56497818	1	Cover, Access				
*	56448104	1	Screw Fastener				
*	56448108	1	Washer Retainer				
*	56468960	1	Screw Receptacle				
24	56497453	1	Broom Guard				

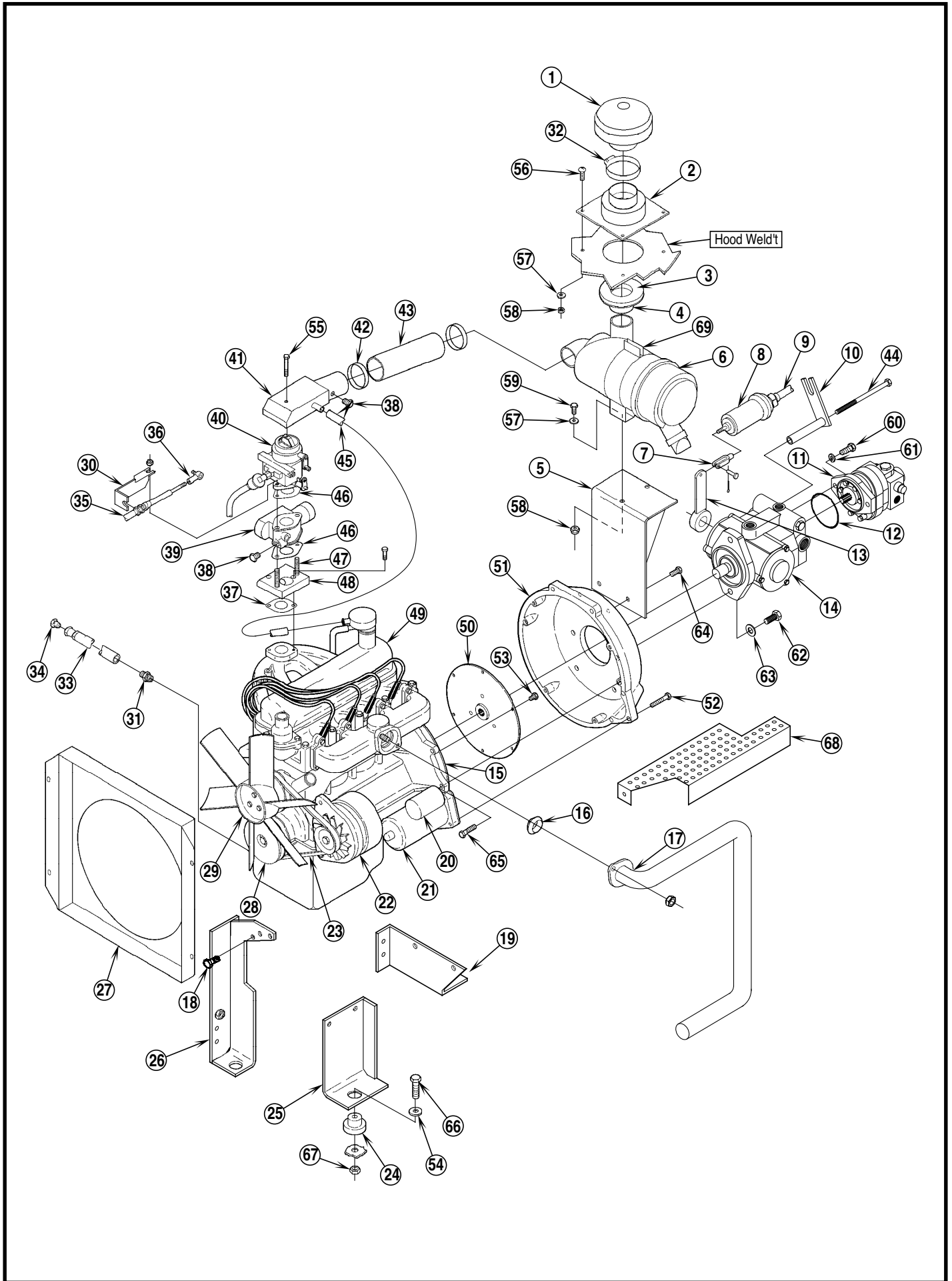
\* = Not Shown  
 \*\* = Optional Kit



Ford Gas Engine Model No. VSG-413I-6005-A

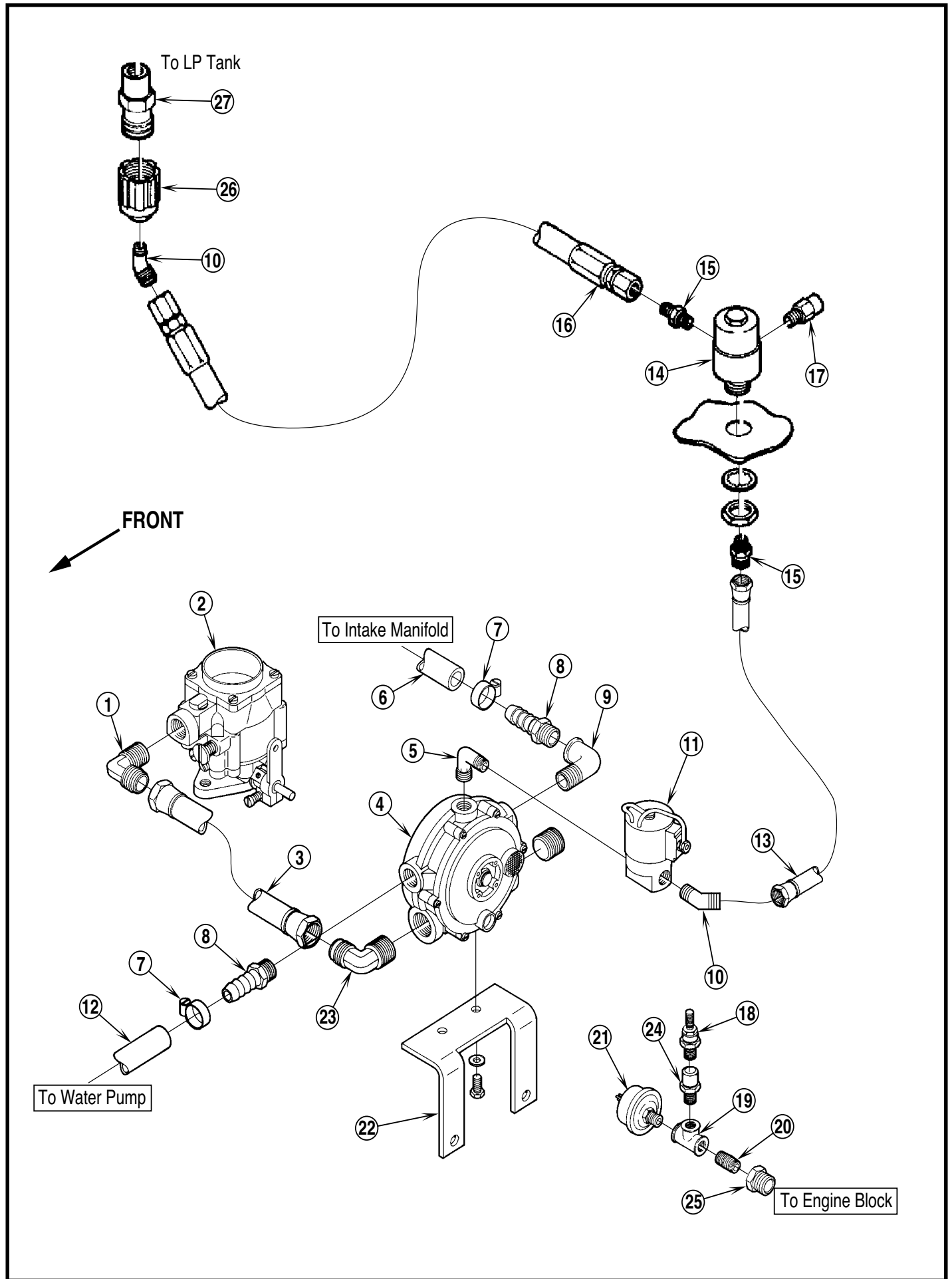
## GAS / LP ENGINE ASSEMBLY (before SN 1194515)

Item	Part No.	Qty	Description	Item	Part No.	Qty	Description
1	56463451	1	Air Inlet Hood	45	56492143	1	Hose
2	56463445	1	Air Filter Cover	*	56219932	1	Hose Clamp
3	56497730	1	Gasket	46	56100016	2	Gasket
4	56497822	1	Air Filter Tube	47	56482578	2	Stud
5	56482524	1	Air Cleaner Mount	48	56482541	1	Spacer, Carburetor
6	56482478	1	Air Cleaner Assembly	49	56462051	1	Engine, Gas (w/carb)
*	56478461	1	Air Filter Service Indicator		56462050	1	Engine, Propane (w/o carb)
*	56482028	1	Safety Element	50	56462063	1	Coupler
*	56482029	1	Primary Element	51	56462083	1	Bell Housing
7	56482542	2	Clevis (includes pin)	52	56462062	5	Bolt M10x1.50
8	56482539	1	Hydro-Back	53	56755584	6	Bolt
9	56482540	1	Control Cable	54	56512702	3	Washer
10	56482543	1	Bracket, Hydro-Back	55	56492624	1	Screw
11	56497834	1	Pump, Hydraulic	*	56209596	1	Gasket
12	56488867	1	O-Ring	56	56002066	4	Scr, Pan Phil 1/4-20 x .62
13	56482537	1	Arm Weld't	57	56002098	6	Wsh, Flt SAE 1/4
14	56456968	1	Hydraulic Pump Assembly	58	56002708	6	Nut, Hex Nyl Loc 1/4-20
*	56488523	1	Seal Kit for 456968	59	56001854	2	Scr, Hex Hd 1/4-20 x .50
15	56462054	1	Rear Engine Plates	60	56001858	2	Scr, Hex Hd 3/8-16 x 1.25
16	56462053	1	Exhaust Donut gasket	61	56002063	2	Wsh, Flt SAE 3/8
17	56497806	1	Exhaust Pipe	62	56001968	2	Scr, Hex Hd 1/2-13 x 1.50
18	56462061	3	Scr, Hex Hd M10 x 1.5	63	56001879	2	Wsh, Flt SAE 1/2
19	56497827	1	Mount Weld't	64	56002663	2	Scr, Hex Hd 3/8-16 x 1.00
20	56462869	1	Starter Solenoid	65	56002095	6	Scr, Hex Hd 3/8-16 x 1.50
21	56462055	1	Starter Motor	66	56002983	3	Scr, Hex Hd 1/2-13 x 2.00
22	56463608	1	Alternator	67	56002770	3	Nut, Hex Nyl Loc 1/2-13
*	56462065	1	Alternator Connector	68	56497808	1	Exhaust Shield
23	56462865	1	Alternator Belt	69	56482606	1	Mounting Band
24	56478685	3	Mount, Rubber				
25	56497828	1	Mount Weld't	*	56462915	1	Ignition Module w/Harness
26	56497831	1	Mount Weld't	*	56462862	1	Oil Filter
27	56482527	1	Fan Shroud	*	56497869	1	Engine Wiring Harness
28	56462472	1	Crankshaft Sheave	*	56497849	1	Sender, Temperature
29	56459191	1	Fan	*	56497851	1	Sender, Oil Pressure
*	56459190	1	Spacer, Fan	*	56463610	1	Fuel Separator
30	56497820	1	Bracket, Throttle Cable	*	56462889	1	Fuel Filter (gas only)
31	56462244	1	Adapter, Oil Drain	*	56462871	1	Fuel Pump (gas only)
32	56456797	1	Hose Clamp	*	56462872	1	Fuel Pump Gasket (gas only)
33	56497359	1	Hose, Oil Drain	*	56462864	1	Water Pump (w/gasket)
34	56462247	1	Plug, Oil Drain	*	56463296	1	Thermostat
35	56393347	1	Cable, Throttle	*	56456304	1	Upper Radiator Hose
*	56003053	2	Nut, Hex Nyl Loc-Thin 10-32	*	56482340	1	Lower Radiator Hose
36	56488290	2	Ball Joint	*	56492607	1	Radiator
37	56100017	1	Gasket	*	56456431	1	Radiator Cap
38		2	Plug	*	56497697	1	Muffler
39	56482574	1	Governor				
*	56106046	1	Plug (used in governor)	* =	Not Shown		
40	56482619	1	Carburetor, Gas				
41	56482516	1	Air Intake				
*	56492617	1	Gasket				
*	56150233	.75in	Hose, Raw				
42	56440213	2	Hose Clamp				
43	56497852	1	Hose				
44	56003044	1	Scr, Hex 3/8-16 x 6.50				



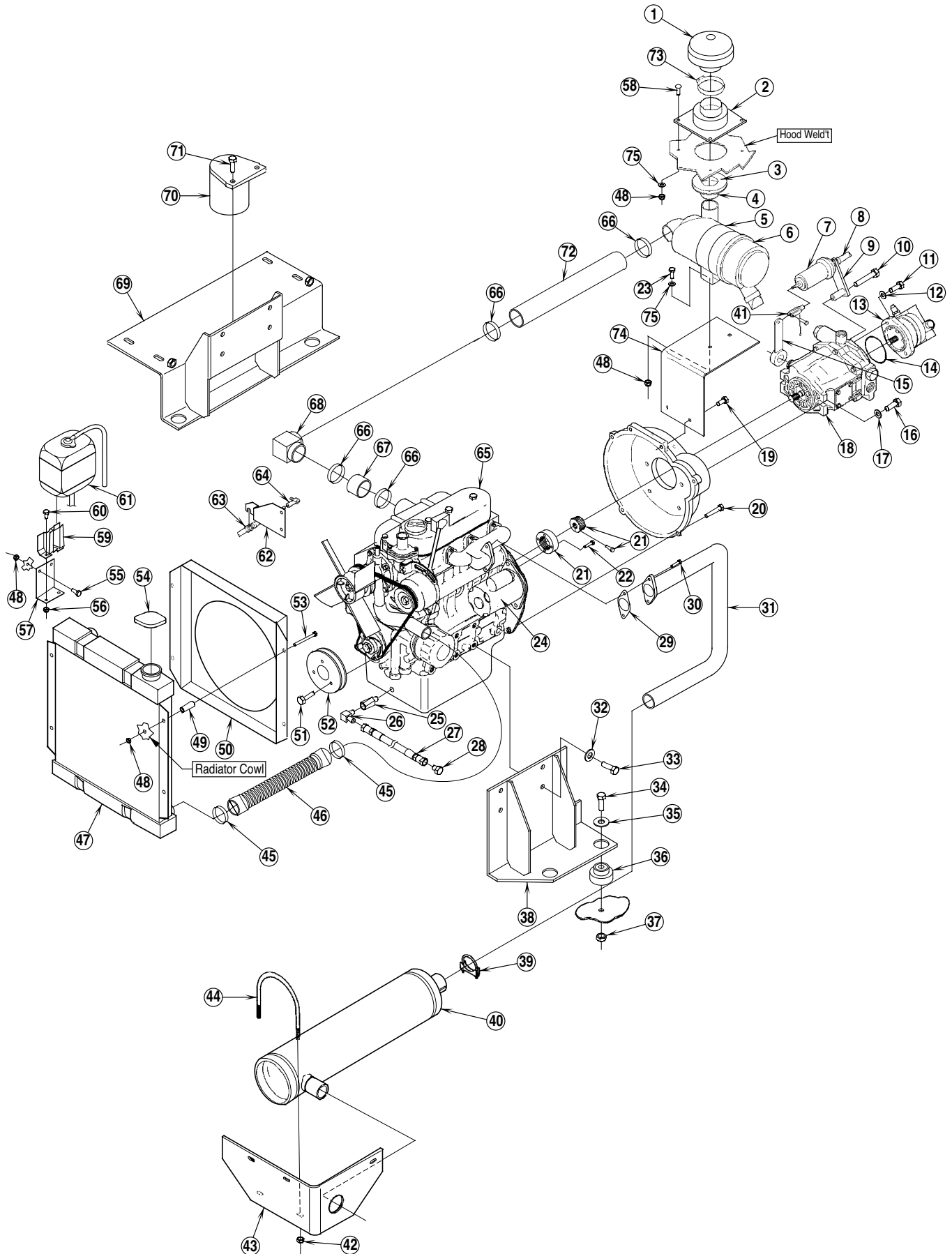
## GAS / LP ENGINE ASSEMBLY (after SN 1194514)

Item	Part No.	Qty	Description	Item	Part No.	Qty	Description
1	56463451	1	Air Inlet Hood	45	56492143	1	Hose
2	56463445	1	Air Filter Cover	*	56219932	1	Hose Clamp
3	56497730	1	Gasket	46	56100016	2	Gasket
4	56497822	1	Air Filter Tube	47	56482578	2	Stud
5	56482524	1	Air Cleaner Mount	48	56482541	1	Spacer, Carburetor
6	56482478	1	Air Cleaner Assembly	49	56462051	1	Engine, Gas (w/carb)
*	56478461	1	Air Filter Service Indicator		56462050	1	Engine, Propane (w/o carb)
*	56482028	1	Safety Element	50	56462063	1	Coupler
*	56482029	1	Primary Element	51	56462083	1	Bell Housing
7	56482542	2	Clevis (includes pin)	52	56462062	5	Bolt M10x1.50
8	56482539	1	Hydro-Back	53	56755584	6	Bolt
9	56482540	1	Control Cable	54	56512702	3	Washer
10	56482676	1	Bracket, Hydro-Back	55	56492624	1	Screw
11	56497834	1	Pump, Hydraulic (manual steering)	*	56209596	1	Gasket
	56497877	1	Pump, Hydraulic (power steering)	56	56002066	4	Scr, Pan Phil 1/4-20 x .62
12	56488002	1	O-Ring	57	56002098	6	Wsh, Flt SAE 1/4
13	56482537	1	Arm Weld't	58	56002708	6	Nut, Hex Nyl Loc 1/4-20
14	56497918	1	Hydraulic Pump Assembly	59	56001854	2	Scr, Hex Hd 1/4-20 x .50
15	56462054	1	Rear Engine Plates	60	56001858	2	Scr, Hex Hd 3/8-16 x 1.25
16	56462053	1	Exhaust Donut gasket	61	56002063	2	Wsh, Flt SAE 3/8
17	56497806	1	Exhaust Pipe	62	56001968	2	Scr, Hex Hd 1/2-13 x 1.50
18	56462061	3	Scr, Hex Hd M10 x 1.5	63	56001879	2	Wsh, Flt SAE 1/2
19	56497827	1	Mount Weld't	64	56002663	2	Scr, Hex Hd 3/8-16 x 1.00
20	56462869	1	Starter Solenoid	65	56002095	6	Scr, Hex Hd 3/8-16 x 1.50
21	56462055	1	Starter Motor	66	56002983	3	Scr, Hex Hd 1/2-13 x 2.00
22	56463608	1	Alternator	67	56002770	3	Nut, Hex Nyl Loc 1/2-13
*	56462065	1	Alternator Connector	68	56497808	1	Exhaust Shield
23	56462865	1	Alternator Belt	69	56482606	1	Mounting Band
24	56478685	3	Mount, Rubber				
25	56497828	1	Mount Weld't	*	56462915	1	Ignition Module w/Harness
26	56497831	1	Mount Weld't	*	56462862	1	Oil Filter
27	56482527	1	Fan Shroud	*	56497869	1	Engine Wiring Harness
28	56462472	1	Crankshaft Sheave	*	56497849	1	Sender, Temperature
29	56459191	1	Fan	*	56497851	1	Sender, Oil Pressure
*	56459190	1	Spacer, Fan	*	56463610	1	Fuel Separator
30	56497820	1	Bracket, Throttle Cable	*	56462889	1	Fuel Filter (gas only)
31	56462244	1	Adapter, Oil Drain	*	56462871	1	Fuel Pump (gas only)
32	56456797	1	Hose Clamp	*	56462872	1	Fuel Pump Gasket (gas only)
33	56497359	1	Hose, Oil Drain	*	56462864	1	Water Pump (w/gasket)
34	56462247	1	Plug, Oil Drain	*	56463296	1	Thermostat
35	56393347	1	Cable, Throttle	*	56456304	1	Upper Radiator Hose
*	56003053	2	Nut, Hex Nyl Loc-Thin 10-32	*	56482340	1	Lower Radiator Hose
36	56488290	2	Ball Joint	*	56492607	1	Radiator
37	56100017	1	Gasket	*	56456431	1	Radiator Cap
38		2	Plug	*	56497697	1	Muffler
39	56482574	1	Governor				
*	56106046	1	Plug (used in governor)	*			* = Not Shown
40	56482619	1	Carburetor, Gas				
41	56482516	1	Air Intake				
*	56492617	1	Gasket				
*	56150233	.75in	Hose, Raw				
42	56440213	2	Hose Clamp				
43	56497852	1	Hose				
44	56003044	1	Scr, Hex 3/8-16 x 6.50				



**L.P. SYSTEM**

Item	Part No.	Qty	Description
1	56456604	1	Elbow
2	56482027	1	Carburetor
3	56462069	1	Push-Lok Hose
4	56456628	1	Regulator
5	56456610	1	Elbow
6	56462069	1	Hose
7	56244969	6	Hose Clamp
8	56456436	2	Barb
9	56900021	1	Elbow
10	56456598	2	Elbow
11	56456626	1	Shut-Off Valve
12	56462070	1	Hose
13	56456591	1	Hose
14	56456622	1	L.P. Filter
15	56456600	2	Fitting
16	56497726	1	Hose
17	56456624	1	Vent
18	56497851	1	Oil Pressure Sender
19	56752020	1	Tee
20	56750746	1	Nipple
21	56493146	1	Pressure Switch
22	56462059	1	Bracket
23	56456602	1	Elbow
24	56748886	1	Adapter
25	56740214	1	Adapter
26	56369675	1	Coupler
27	56369683	1	Coupler, Propane Tank

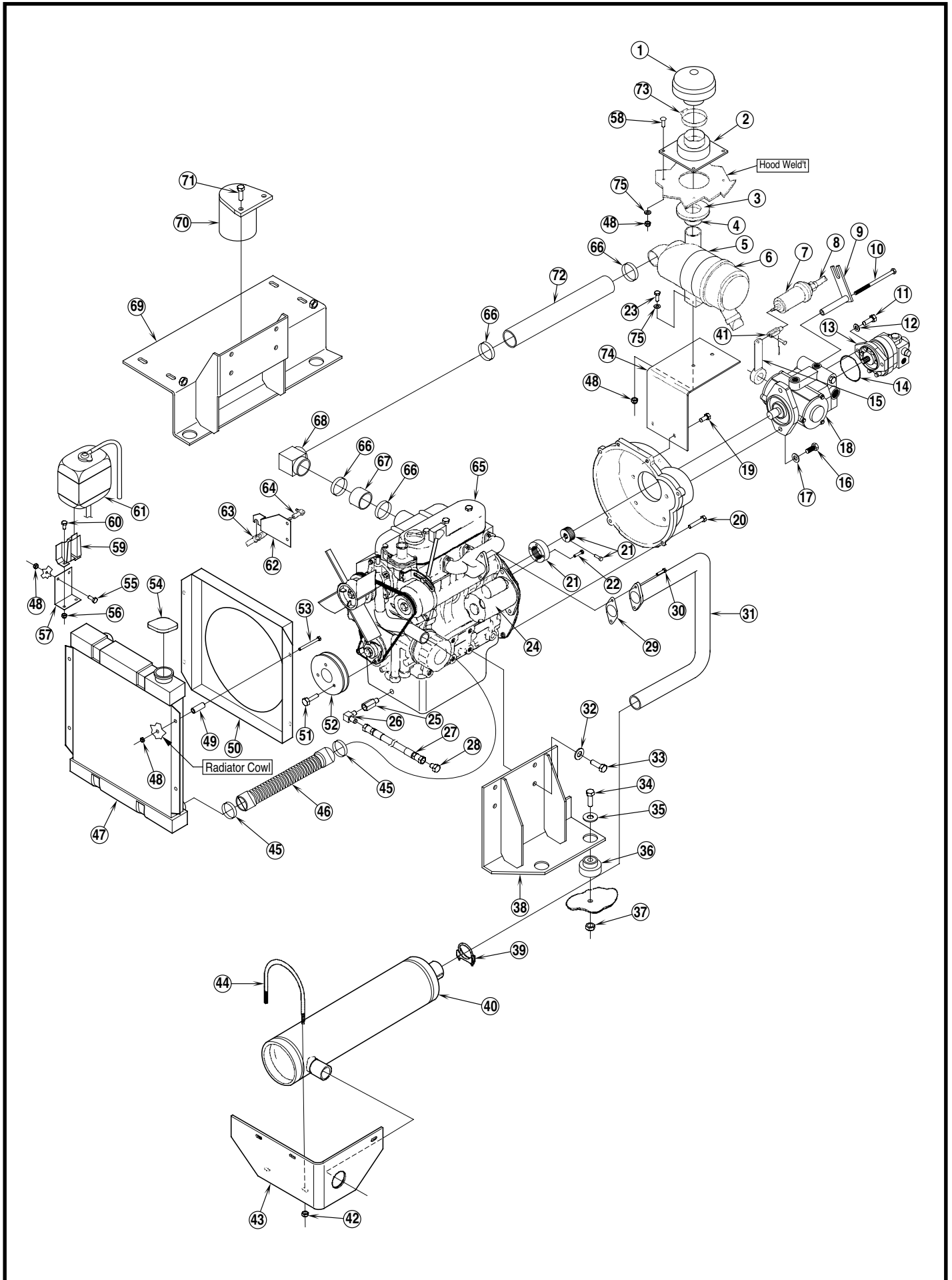


**Kubota Diesel Engine Model No. D1105E-1**

## DIESEL ENGINE ASSEMBLY (before SN 1194515)

Item	Part No.	Qty	Description	Item	Part No.	Qty	Description
1	56463451	1	Air Inlet Hood	51	56003374	3	Scr, Hex Hd M10 x 1.25 x 40mm
2	56463445	1	Air Filter Cover	52	56482646	1	Sheave, Impeller
3	56463449	1	Gasket	53	56412361	4	Scr, Hex Hd 1/4-20 x 2.25
4	56497822	1	Inlet Tube	54	56456431	1	Radiator Cap
5	56482621	1	Air Cleaner Mounting Band	55	56002155	2	Scr, Hex Hd 1/4-20 x .75
6	56482478	1	Air Cleaner Assembly	56	56002701	2	Nut, Hex Nyl Loc 5/16-18
*	56478461	1	Air Filter Service Indicator	57	56482645	1	Bracket
*	56482028	1	Replacement Safety Element	58	56002066	4	Scr, Pan Phil 1/4-20 x .62
*	56482029	1	Replacement Primary Element	59	56463305	1	Bracket
7	56482539	1	Hydro-Back	60	56002035	2	Scr, Hex Hd 5/16-18 x .62
8	56482540	1	Control Cable	61	56463301	1	Coolant Recovery Tank
9	56482543	1	Bracket, Hydro-Back	62	56482652	1	Bracket Throttle Cable
10	56002533	1	Scr, Hex Hd 1/2-13 x 2.50	63	56393347	1	Throttle Cable
11	56001858	2	Scr, Hex Hd 3/8-16 x 1.25	64	56488290	2	Ball Joint
12	56002063	2	Wsh, Flt SAE 3/8	65	56497876	1	Engine, Diesel
13	56497834	1	Pump, Hydraulic Auxiliary	66	56329145	4	Hose Clamp
14	56488867	1	O-Ring	67	56492278	1	Hose
15	56482537	1	Arm Weld't	68	56492270	1	Intake Adapter
16	56001968	2	Scr, Hex Hd 1/2-13 x 1.50	69	56497890	1	Right Engine/Impeller Mount
17	56001879	2	Wsh, Flt SAE 1/2	70	56455670	1	Fuel Filter Kit
18	56456968	1	Hydraulic Pump	*	56482656	1	Replacement Spin-On Fuel Filter
*	56488523	1	Seal Kit for 456968	*	56492253	1	Fuel Line (from filter to engine)
19		2	Scr, Hex Hd M10 x 1.25 x 35	71		2	Scr, Hex Hd M8 x 22
20		6	Scr, Soc Hd M8 x 30	72	56492960	1	Hose
21	56482476	1	Coupler Assembly	73	56456797	1	Hose Clamp
22		4	Scr, Soc Hd 3/8-16 x 1.50	74	56497884	1	Mount, Air Cleaner
23	56001854	2	Scr, Hex Hd 1/4-20 x .50	75	56002098	6	Wsh, Flt SAE 1/4
24	56482661	1	Starter W/Connector				
25	56497676	1	Adapter	*	56482655	A/R	Glow Plug
26	56497894	1	Elbow	*	56482657	1	Thermostat
27	56497359	1	Drain Hose	*	56482658	1	Fan Belt
28	56462247	1	Plug, Oil Drain	*	56482659	A/R	Replacement Spin-On Oil Filter
29	56497910	1	Gasket, Exhaust	*	56482660	1	Fuel Pump
30		2	Screw w/engine	*	56482662	1	Alternator, 12V, 30A
31	56497881	1	Exhaust Pipe	*	56482476	1	Alternator Coupler
32		8	Wsh, Flt M10	*	56482663	1	Shut Down Solenoid
33	56492251	8	Scr, Hex Hd M10 x 20mm	*	56482665	1	Water Pump
34	56002983	4	Scr, Hex Hd 1/2-13 x 2.00	*	56482653	1	Glow Plug Indicator Lamp w/timer
35	56512702	4	Washer	*	56482096	1	Fan Spacer
36	56478685	4	Rubber Mount	*	56481148	4	Scr, Hex Hd M6 x 1 x 40mm for Fan
37	56002770	4	Nut, Hex Nyl Loc 1/2-13	*	56478698	1	Sender, Oil Pressure
38	56497887	1	Left Engine Mount	*	56481888	1	Sender, Coolant Temperature
39	56343236	1	Clamp	*	56482666	1	Kubota Operator Manual
40	56497697	1	Muffler				
41	56482542	2	Clevis w/pin				
42	56002701	2	Nut, Hex 5/16-18				
43	56497637	1	Bracket				
44	56497638	1	U-Bolt				
45	56440213	4	Hose Clamp				
46	56456304	2	Upper / Lower Radiator Hose				
47	56492607	1	Radiator				
48	56002708	12	Nut, Hex Nyl Loc 1/4-20				
49	56454249	4	Spacer				
50	56497878	1	Fan Shroud				

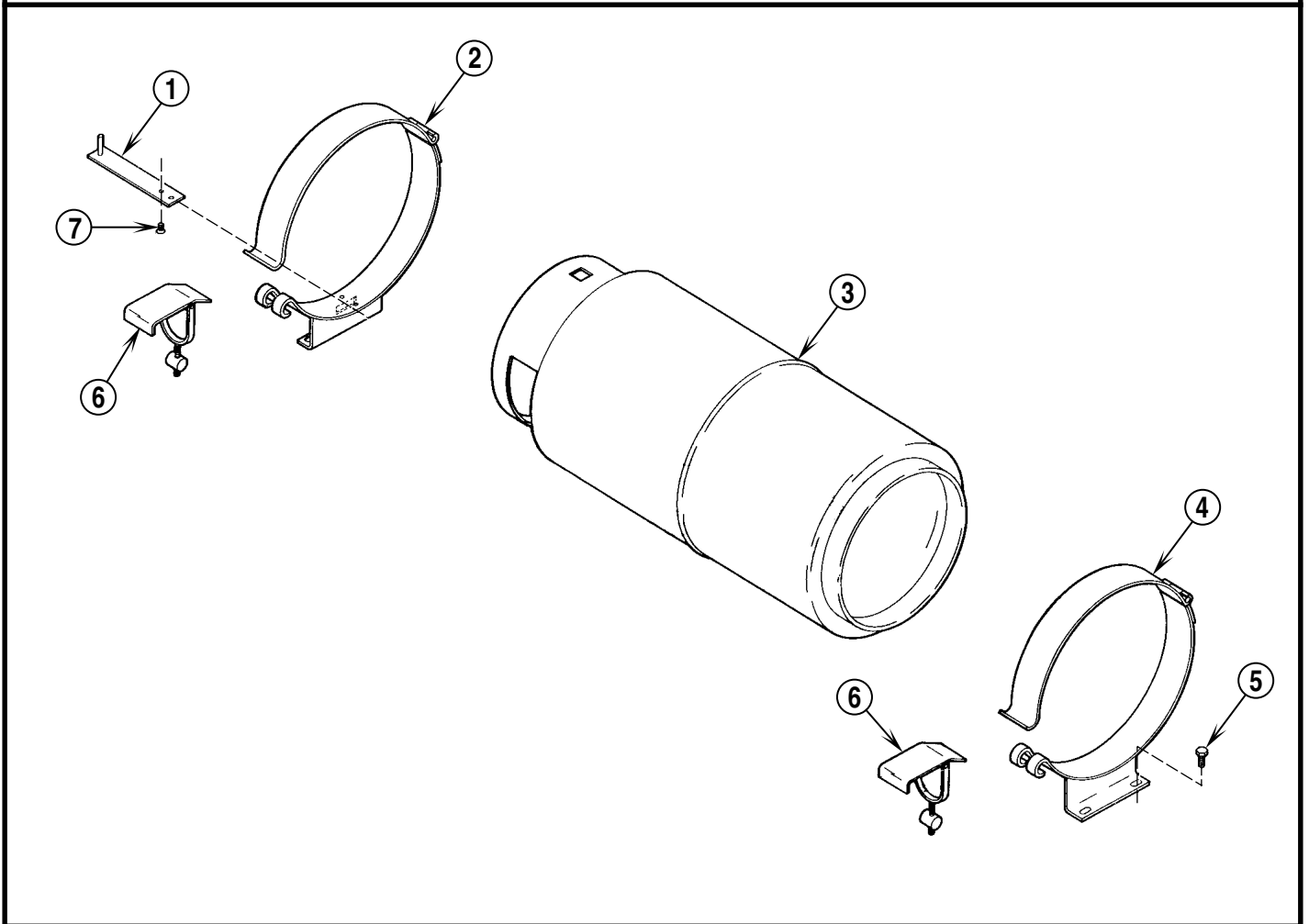
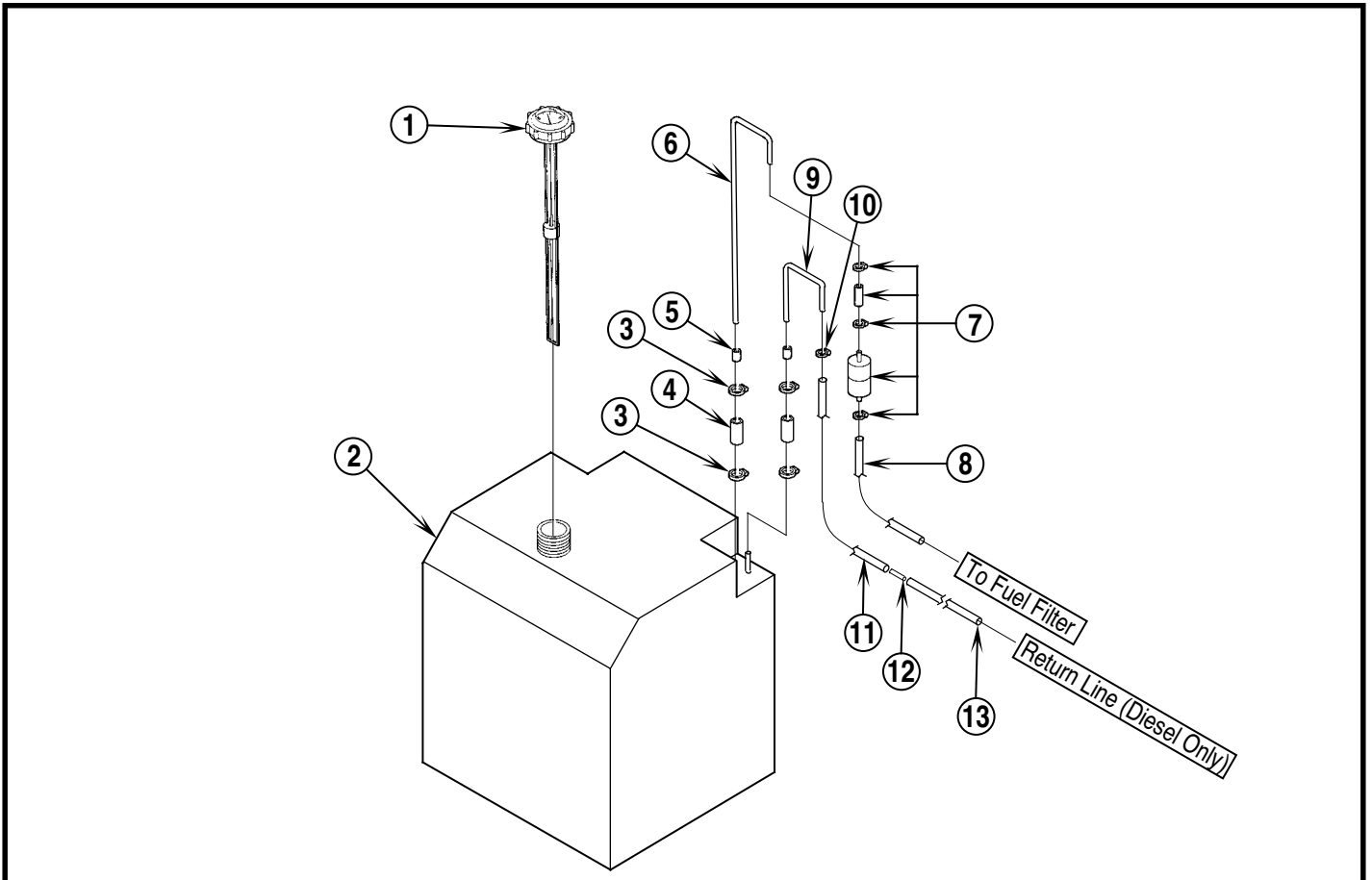
\* = Not Shown



## DIESEL ENGINE ASSEMBLY (after SN 1194514)

Item	Part No.	Qty	Description	Item	Part No.	Qty	Description
1	56463451	1	Air Inlet Hood	51	56003374	3	Scr, Hex Hd M10 x 1.25 x 40mm
2	56463445	1	Air Filter Cover	52	56482646	1	Sheave, Impeller
3	56463449	1	Gasket	53	56412361	4	Scr, Hex Hd 1/4-20 x 2.25
4	56497822	1	Inlet Tube	54	56456431	1	Radiator Cap
5	56482621	1	Air Cleaner Mounting Band	55	56002155	2	Scr, Hex Hd 1/4-20 x .75
6	56482478	1	Air Cleaner Assembly	56	56002701	2	Nut, Hex Nyl Loc 5/16-18
*	56478461	1	Air Filter Service Indicator	57	56482645	1	Bracket
*	56482028	1	Replacement Safety Element	58	56002066	4	Scr, Pan Phil 1/4-20 x .62
*	56482029	1	Replacement Primary Element	59	56463305	1	Bracket
7	56482539	1	Hydro-Back	60	56002035	2	Scr, Hex Hd 5/16-18 x .62
8	56482540	1	Control Cable	61	56463301	1	Coolant Recovery Tank
9	56482676	1	Bracket, Hydro-Back	62	56482652	1	Bracket Throttle Cable
10	56003044	1	Scr, Hex 3/8-16 x 6.50	63	56393347	1	Throttle Cable
11	56001858	2	Scr, Hex Hd 3/8-16 x 1.25	64	56488290	2	Ball Joint
12	56002063	2	Wsh, Flt SAE 3/8	65	56497876	1	Engine, Diesel
13	56497834	1	Pump, Hydraulic (manual steering)	66	56329145	4	Hose Clamp
	56497877	1	Pump, Hydraulic (power steering)	67	56492278	1	Hose
14	56488002	1	O-Ring	68	56492270	1	Intake Adapter
15	56482537	1	Arm Weld't	69	56497890	1	Right Engine/Impeller Mount
16	56001968	2	Scr, Hex Hd 1/2-13 x 1.50	70	56455670	1	Fuel Filter Kit
17	56001879	2	Wsh, Flt SAE 1/2	*	56482656	1	Replacement Spin-On Fuel Filter
18	56497918	1	Hydraulic Pump	*	56492253	1	Fuel Line (from filter to engine)
19		2	Scr, Hex Hd M10 x 1.25 x 35	71		2	Scr, Hex Hd M8 x 22
20		6	Scr, Soc Hd M8 x 30	72	56492960	1	Hose
21	56482476	1	Coupler Assembly	73	56456797	1	Hose Clamp
22		4	Scr, Soc Hd 3/8-16 x 1.50	74	56497884	1	Mount, Air Cleaner
23	56001854	2	Scr, Hex Hd 1/4-20 x .50	75	56002098	6	Wsh, Flt SAE 1/4
24	56482661	1	Starter W/Connector				
25	56497676	1	Adapter	*	56482655	A/R	Glow Plug
26	56497894	1	Elbow	*	56482657	1	Thermostat
27	56497359	1	Drain Hose	*	56482658	1	Fan Belt
28	56462247	1	Plug, Oil Drain	*	56482659	A/R	Replacement Spin-On Oil Filter
29	56497910	1	Gasket, Exhaust	*	56482660	1	Fuel Pump
30		2	Screw w/engine	*	56482662	1	Alternator, 12V, 30A
31	56497881	1	Exhaust Pipe	*	56482476	1	Alternator Coupler
32		8	Wsh, Flt M10	*	56482663	1	Shut Down Solenoid
33	56492251	8	Scr, Hex Hd M10 x 20mm	*	56482665	1	Water Pump
34	56002983	4	Scr, Hex Hd 1/2-13 x 2.00	*	56482653	1	Glow Plug Indicator Lamp w/timer
35	56512702	4	Washer	*	56482096	1	Fan Spacer
36	56478685	4	Rubber Mount	*	56481148	4	Scr, Hex Hd M6 x 1 x 40mm for Fan
37	56002770	4	Nut, Hex Nyl Loc 1/2-13	*	56478698	1	Sender, Oil Pressure
38	56497887	1	Left Engine Mount	*	56481888	1	Sender, Coolant Temperature
39	56343236	1	Clamp	*	56482666	1	Kubota Operator Manual
40	56497697	1	Muffler				
41	56482542	2	Clevis w/pin				
42	56002701	2	Nut, Hex 5/16-18				
43	56497637	1	Bracket				
44	56497638	1	U-Bolt				
45	56440213	4	Hose Clamp				
46	56456304	2	Upper / Lower Radiator Hose				
47	56492607	1	Radiator				
48	56002708	12	Nut, Hex Nyl Loc 1/4-20				
49	56454249	4	Spacer				
50	56497878	1	Fan Shroud				

\* = Not Shown



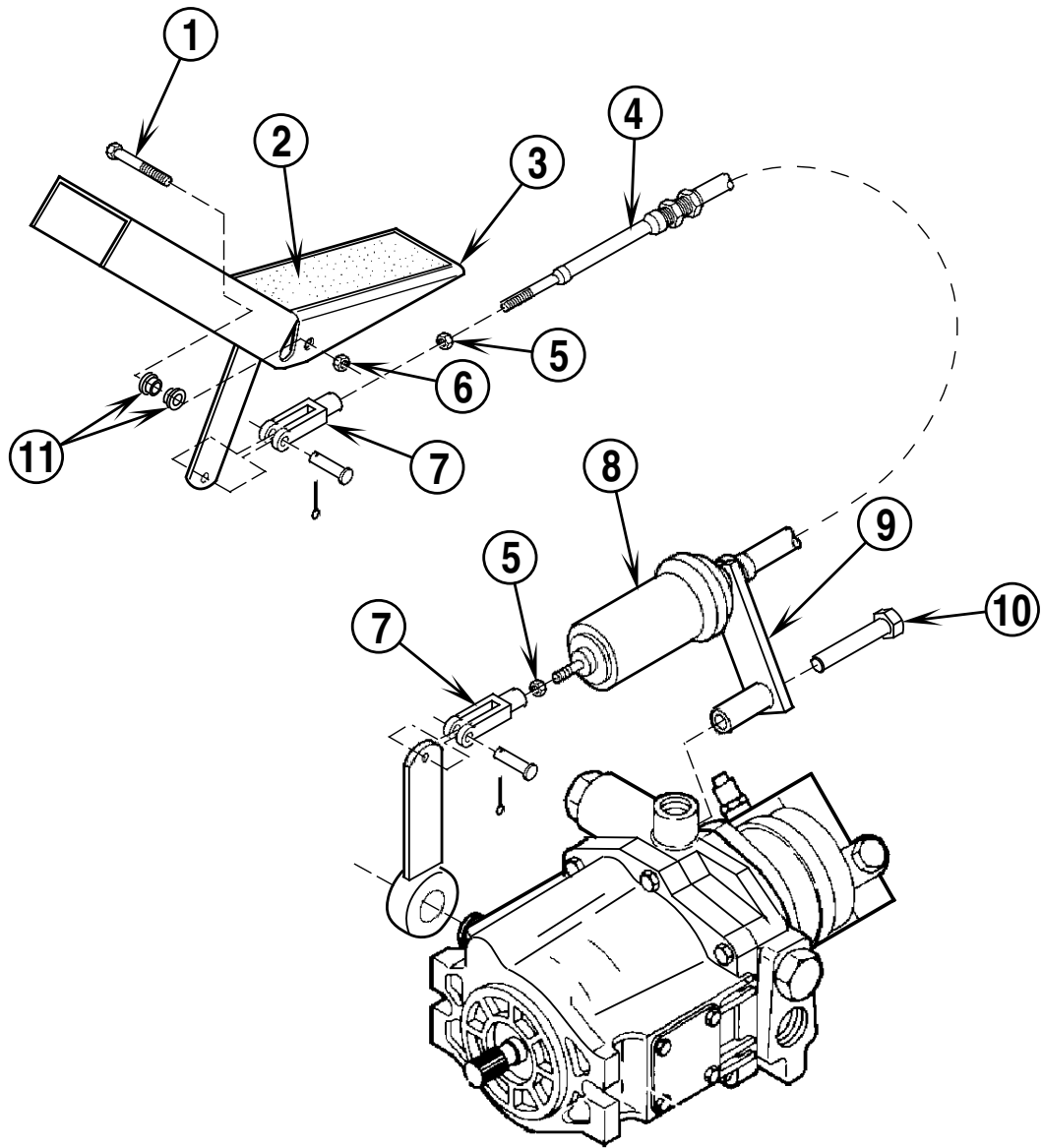
## FUEL TANK ASSEMBLY - GAS / DIESEL

Item	Part No.	Qty	Description
1	56497427	1	Fuel Tank Cap/Gauge
2	56497515	1	Fuel Tank ( <b>Gas</b> )
	56497737	1	Fuel Tank ( <b>Diesel</b> )
3	56219932	4	Hose Clamp
4	56497539	2	Hose
5	56497537	2	Hose
6	56497536	1	Stand Tube
7	56492885	1	Fuel Filter Assembly
8	56481686	1	Hose
9	56497738	1	Stand Tube ( <b>Diesel</b> )
10	56756364	2	Hose Clamp ( <b>Diesel</b> )
11	56497540	1	Hose ( <b>Diesel</b> )
12	56497776	1	Barb ( <b>Diesel</b> )
13	56497777	1	Hose ( <b>Diesel</b> )
*	56482656	A/R	Fuel Filter, Spin On

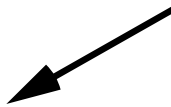
\* = Not Shown

## FUEL TANK - LIQUID PROPANE

Item	Part No.	Qty	Description
1	56497617	1	Pin Weldment
2	56481996	1	Mounting Bracket Right
3	56456590	1	LP Tank
4	56481994	1	Mounting Bracket Left
5	56002155	4	Scr, Hex Hd 1/4 - 20 x .75
6	56481997	2	Latch
7	56001854	2	Scr, Hex Hd 1/4 - 20 x .50

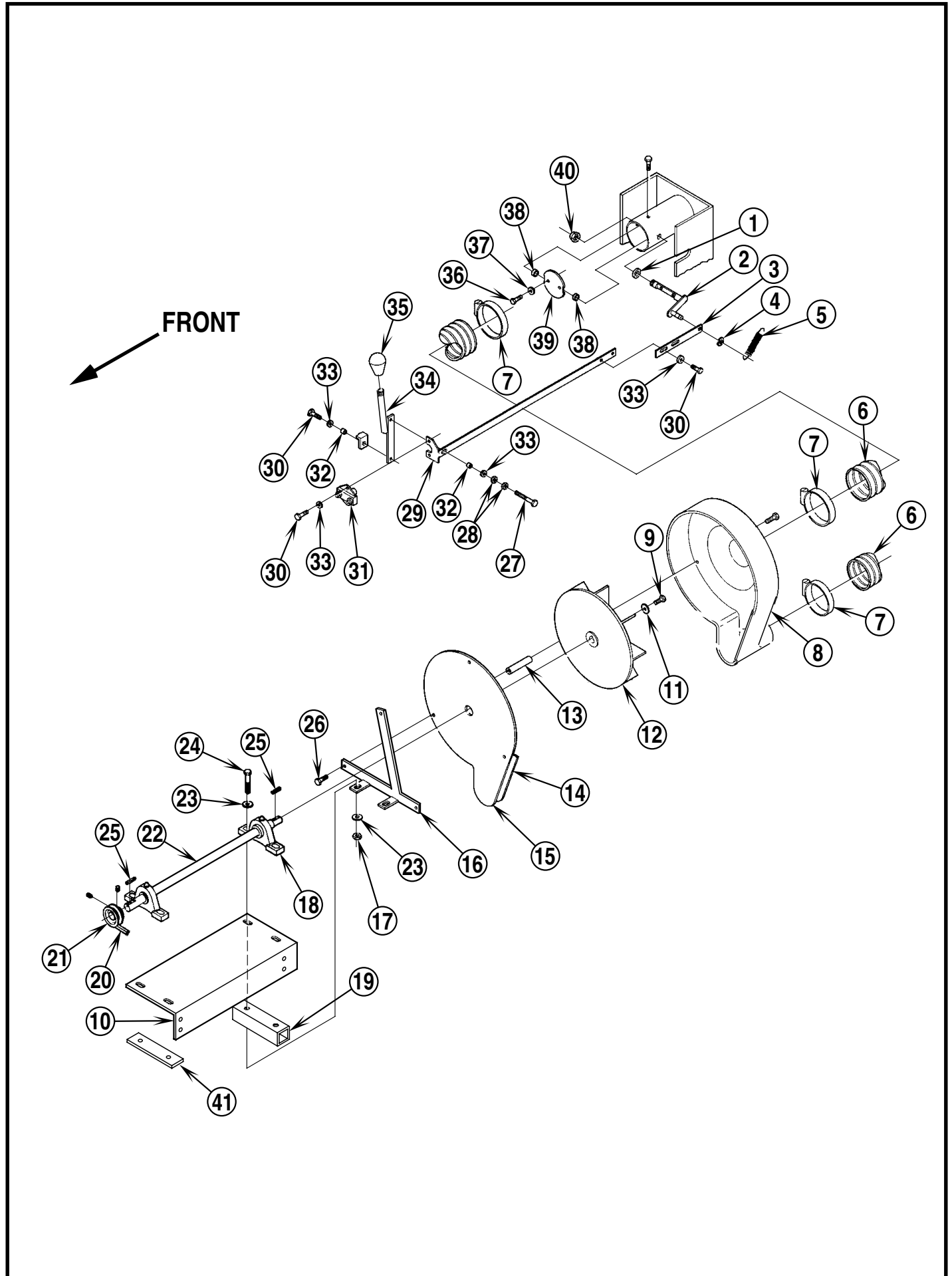


**FRONT**



## ACCELERATOR LINKAGE

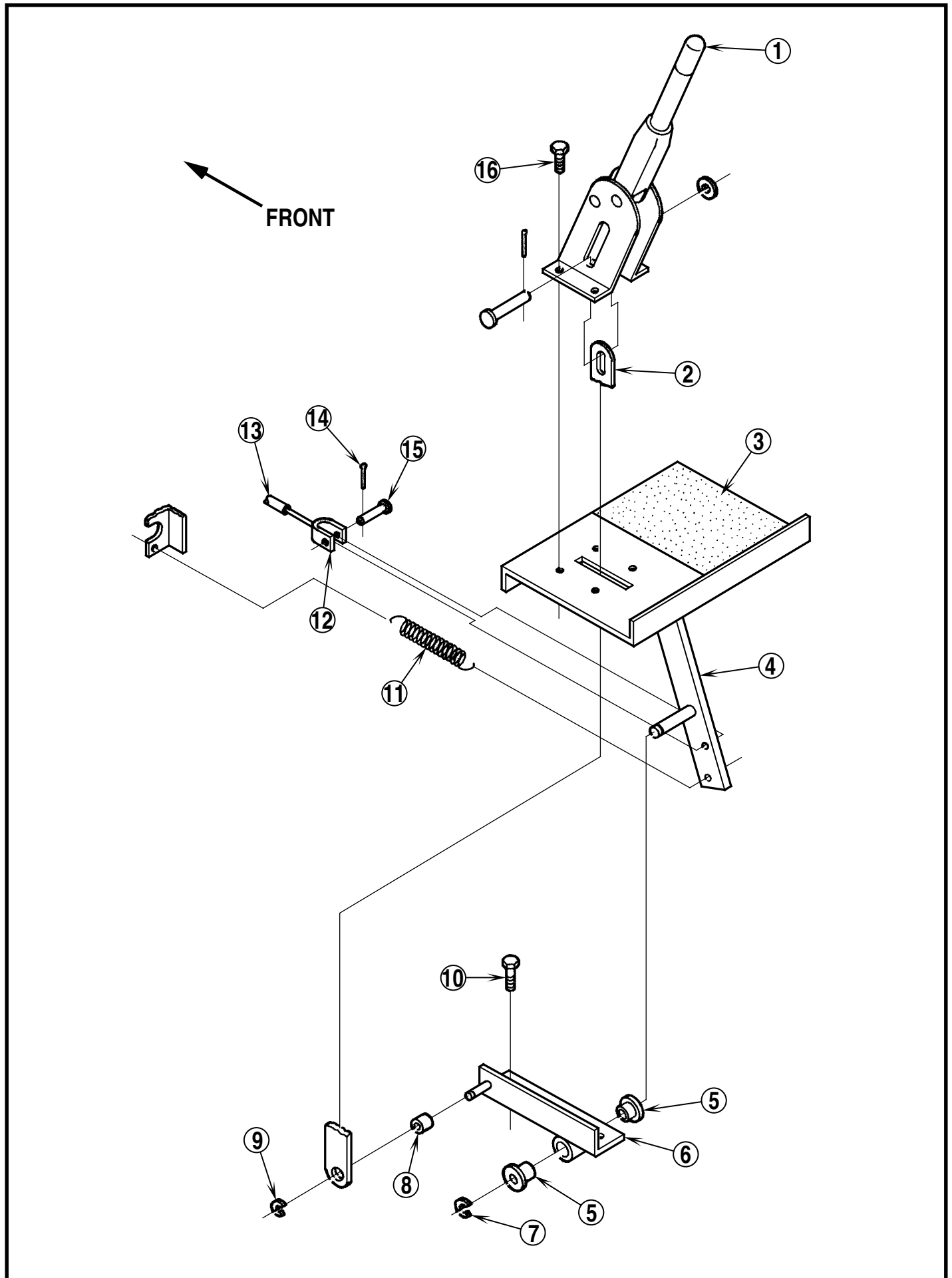
Item	Part No.	Qty	Description
1	56002603	1	Scr, Hex Hd 1/4-20 x 3
2	56449958	1	Pedal Mat
3	56497313	1	Pedal
4	56482540	1	Cable
5	56003284	2	Nut, Hex 1/4-28
6	56002708	1	Nut, Hex Nyl Loc 1/4-20
7	56482542	2	Clevis (includes pin)
8	56482539	1	Hydro-Back
9	56482543	1	Bracket, Hydro-Back (before SN 1194515)
	56482676	1	Brakcet, Hydro-Back (after SN 1194514)
10	56002553	1	Scr, Hex Hd 1/2-13 x 2.50 (before SN 1194515)
	56003044	1	Scr, Hex 3/8-16 x 6.50 (after SN 1194514)
11	56206849	2	Bushings



## IMPELLER ASSEMBLY

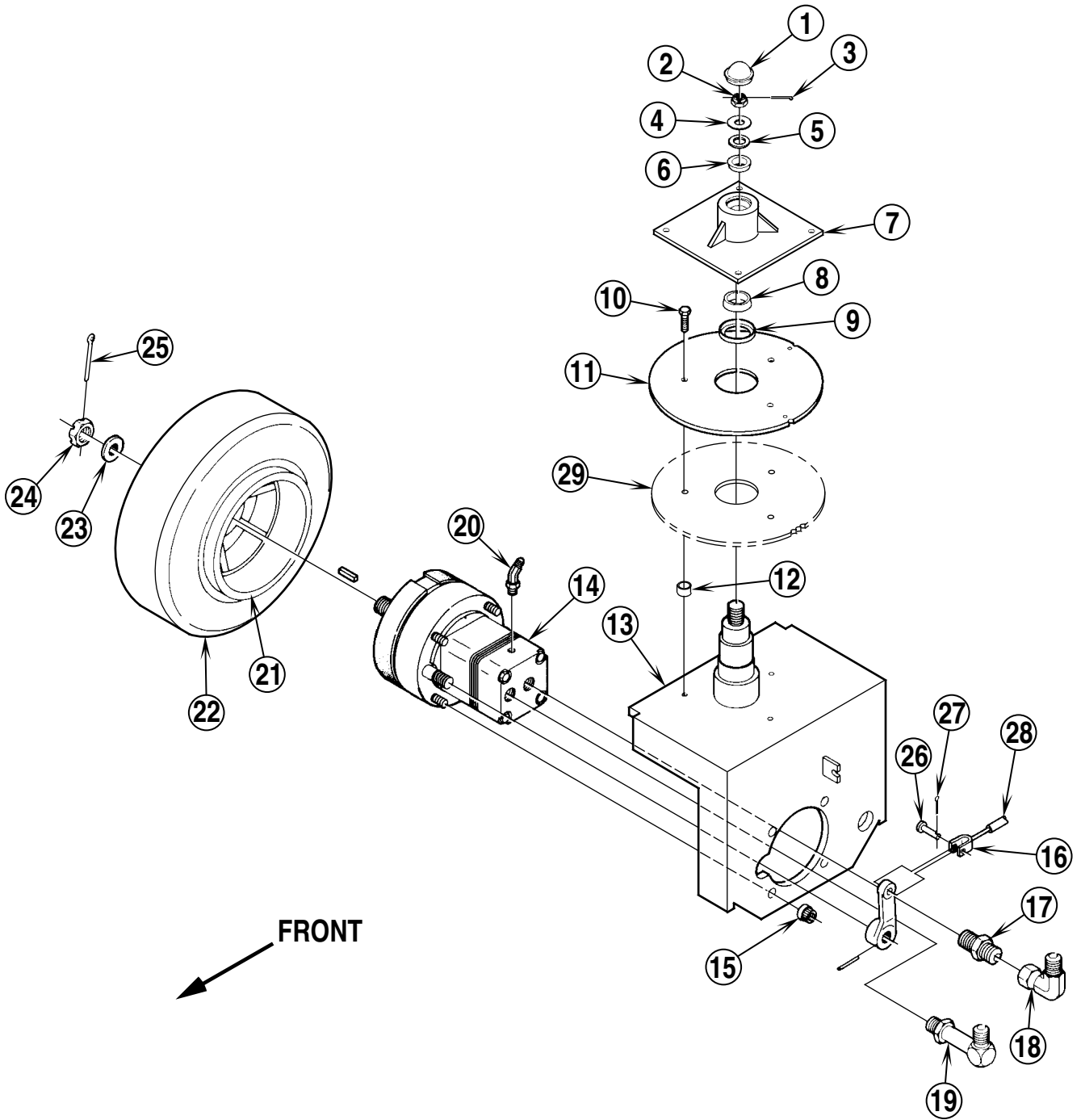
Item	Part No.	Qty	Description
1	56232181	1	Bushing
2	56469047	1	Shaft
3	56497302	1	Bar
4	56373797	1	Retaining Ring
5	56365068	1	Spring
6	56482319	2	Flex Hose
7	56352829	4	Hose Clamp
8	56497867	1	Shroud
9	56003073	1	Scr, Hex Hd Loc 5/16-18 x 1.00
10	56497809	1	Mount, Jackshaft ( <b>gas / LP</b> )
*	56497890	1	Mount, Jackshaft ( <b>diesel</b> )
11	56358956	1	Washer
12	56478668	1	Impeller
13	56478762	3	Spacer
14	56209434	1'	Gasket (305 mm)
15	56497866	1	Plate
16	56481490	1	Bracket
17	56002769	4	Nut, Hex Nyl Loc 3/8-16
18	56482502	2	Pillow Block
	56101737	2	Grease Fitting
19	56497527	1	Spacer
20	56458683	1	V-Belt
21	56482138	1	Pulley
	56002021	2	5/16-18 x 3/8 Set Screw
22	56482088	1	Shaft
23	56002063	8	3/8 Flat Washer
24	56002204	2	Scr, Hex Hd 3/8-16 x 3.00
	56002095	2	Scr, Hex Hd 3/8-16 x 1.50
25	56158135	2	Square Key
26	56002093	6	Scr, Hex Hd 1/4-20 x 1.00
27	56002397	1	Scr, Hex Hd 1/4-20 x 2.75
28	56009087	2	Nut, Hex Jam 1/4-20
29	56478002	1	Linkage Arm
30	56002155	5	Scr, Hex Hd 1/4-20 x .75
31	56441555	1	Shaker Switch
*	56497423	1	Shaker Switch Cord
32	56379298	2	Bushing
33	56002098	5	1/4 Flat Washer
34	56477993	1	Lever
35	56492792	1	Knob
36	56002587	2	Scr, Hex Hd #6-32 x .62
37	56002006	2	#6 Flat Washer
38	56329098	2	Bearing
39	56469045	1	Plate
40	56453771	1	Acorn Nut
41	56462094	1	Nut Plate

\* = Not Shown



## BRAKE PEDAL ASSEMBLY

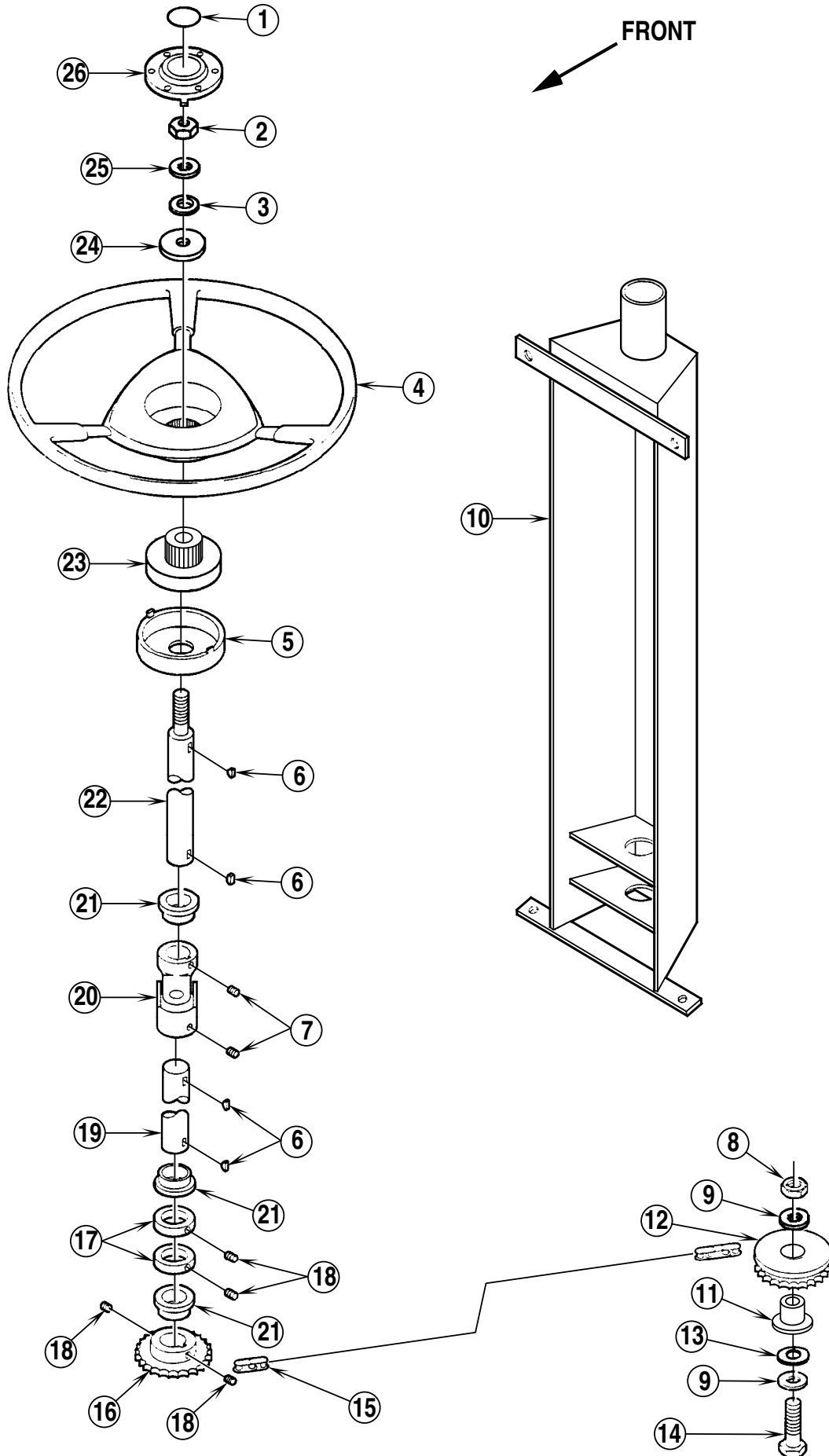
Item	Part No.	Qty	Description
1	56448200	1	Brake Lever Assembly
2	56497268	1	Link
3	56497066	1	Pedal Mat
4	56497260	1	Pedal
5	56185264	2	Flange Bearing
6	56497264	1	Bracket
7	56468834	1	Retaining Ring
8	56368970	1	Bushing
9	56321427	1	Retaining Ring
10	56002221	2	Scr, Hex Hd 5/16-18 x 1.00
11	56365068	1	Spring
12	56493045	1	Clevis
13	56493010	1	Cable
14	56002166	2	3/32 x 3/4 Cotter Pin
15	56493030	1	Pin
16	56002513	4	Scr, Hex Hd Thd Form 1/4-20 x .50



## FRONT WHEEL ASSEMBLY

Item	Part No.	Qty	Description
1	56483135	1	Grease Cap
2	56110817	1	Castle Nut
3	56002181	1	Cotter Pin 1/8 x 1-1/2
4	56101656	1	Washer
5	56497241	1	Bushing
6	56492699	1	Bearing
*	56492697	1	Bearing Race
7	56497242	1	Mounting Plate
8	56492700	1	Bearing
*	56492702	1	Bearing Race
9	56493191	1	Seal
10	56001834	3	Scr, Hex Hd 5/16-18 x 1.25
11	56497258	1	Sprocket ( <b>manual steering</b> )
12	56232181	3	Spacer
13	56497782	1	Spindle
14	56497787	1	Motor
*	56498000	1	Seal Kit for 56497787
15	56002773	4	Nut, Hex Nyl Loc 1/2-20
16	56493045	1	Clevis
17	56900005	1	Connector
18	56900305	1	Elbow
19	56900525	1	Elbow
20	56900151	1	Elbow
21	56497786	1	Hub
22	56448145	1	Tire
	56497789	1	Tire Assembly (#21 & 22)
23	56497798	1	Washer
24	56462927	1	Nut, Castle 1-1/8-18
25	56002574	1	Cotter Pin 5/32 x 3
26	56493030	1	Clevis Pin
27	56002038	1	Cotter Pin 3/32 x 1
28	56493010	1	Brake Cable
29	56497902	1	Sprocket ( <b>power steering</b> )

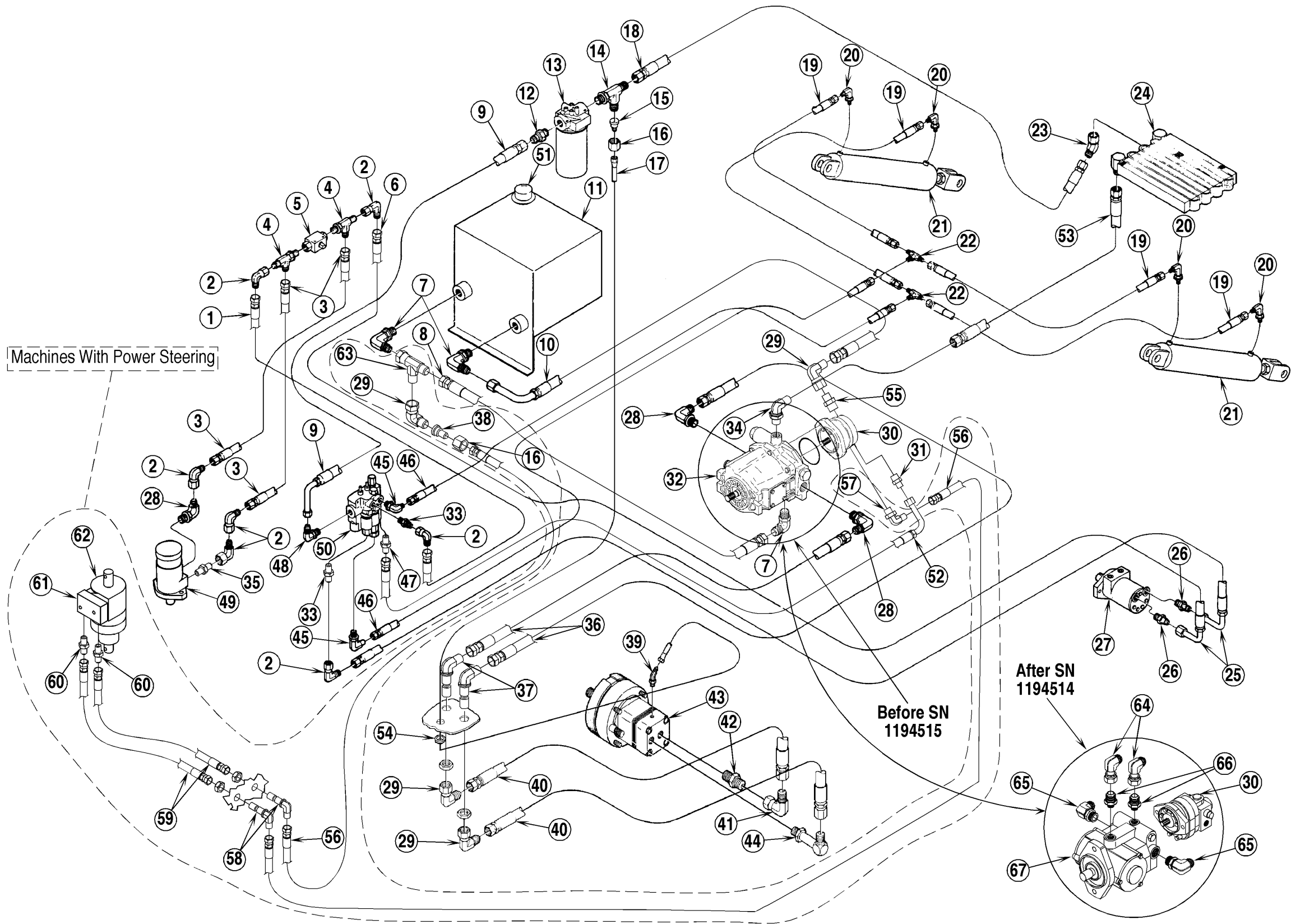
\* = Not Shown



## MANUAL STEERING ASSEMBLY

Item	Part No.	Qty	Description
1	56014448	1	Decal, Logo
2	56002773	1	Nut, Hex Nyl Loc 1/2-20
3	56001879	1	1/2 Flat Washer
4	56497306	1	Steering Wheel
5	56497308	1	Cup
6	56124028	4	Woodruff Key
7	56001958	2	3/8-16 x 1/2 Set Screw
8	56002701	1	Nut, Hex Nyl Loc 5/16-18
9	56001939	2	5/16 Flat Washer
10	56497151	1	Channel
11	56497311	1	Flange Bushing
12	56454079	1	Sprocket
	56101737	1	Grease Fitting
13	56002055	1	Wsh, Flt SAE 3/8
14	56002610	1	Scr, Hex Hd 5/16-18 x 2.25
15	56497310	1	Chain
16	56471148	1	Sprocket
17	56367095	2	Collar
18	56002021	4	5/16-18 x .38 Set Screw
19	56497309	1	Lower Shaft
20	56454081	1	Universal Joint
21	56250414	3	Flange Bearing
22	56454093	1	Upper Shaft
23	56497560	1	Adapter
24	56497542	1	Washer
25	56001991	1	1/2 Shakeproof Washer
26	56497543	1	Cap

### HYDRAULIC SYSTEM



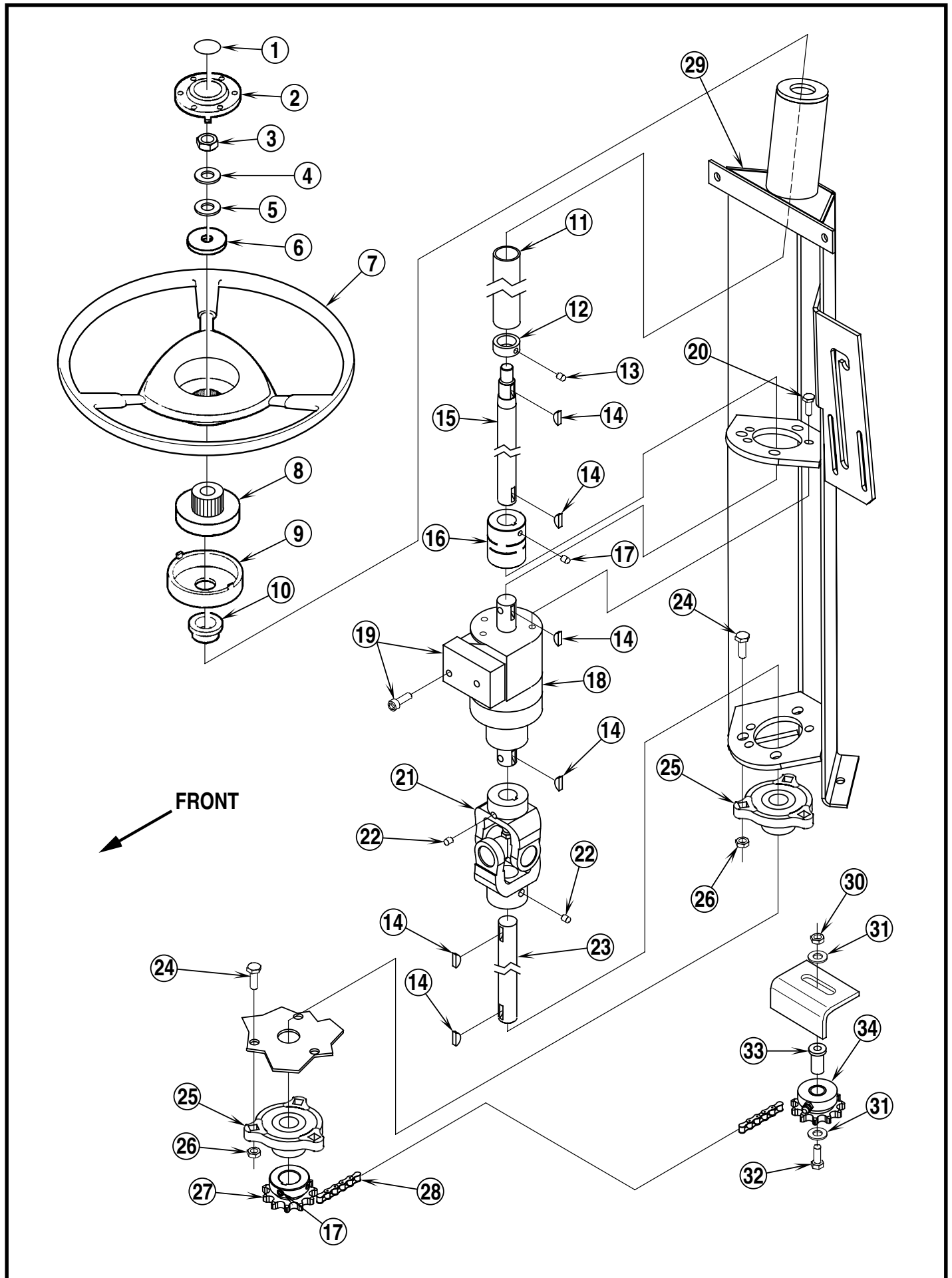
Machines With Power Steering

Before SN 1194515

After SN 1194514

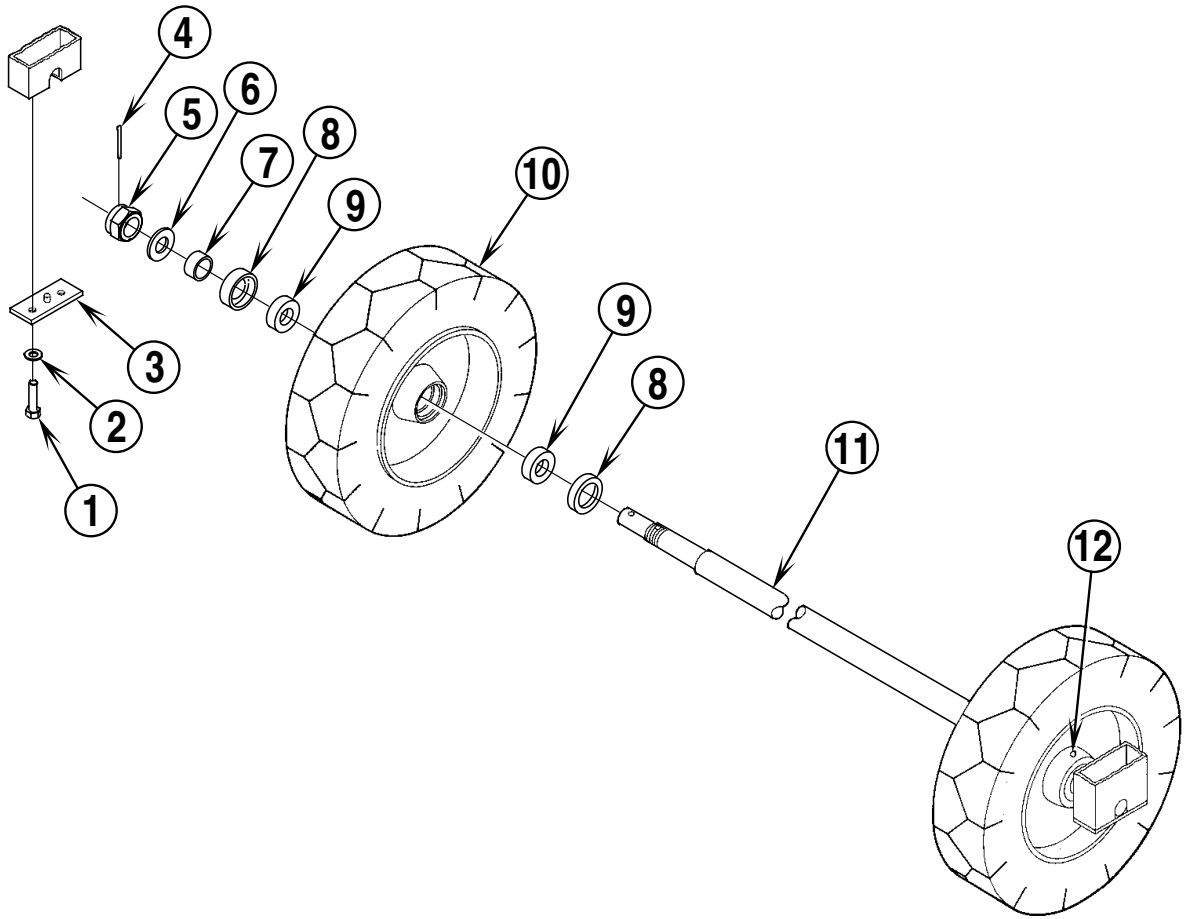
Item	Part No.	Qty	Description
1	56496216	1	Hose
2	56900304	7	Elbow
3	56479593	2	Hose
4	56900204	2	Tee
5	56496273	1	Side Broom Speed Valve
6	56497564	1	Hose
7	56900106	3	Elbow
8	56488480	1	Hose
9	56497345	1	Hose
10	56457284	1	Hose
11	56497864	1	Hydraulic Oil Tank
12	56900006	1	Connector
13	56497332	1	Hydraulic Filter Assembly
	56496209	1	Hydraulic Oil Filter Element
	56496001	1	Filter Head Assy.
14	56900206	1	Tee
15	56900467	1	Reducer
16	56900506	2	Nut
17	56497792	1	Hose
18	56456911	1	Hose
19	56488750	4	Hose
20	56900101	4	Elbow
21	56479646	2	Hopper Lift Cylinder
22	56900441	2	Tee
23	56900326	1	Elbow
24	56457282	1	Oil Cooler
25	56497564	2	Hose
26	56900004	2	Connector
27	56497525	1	Main Broom Motor
	56503062	1	Seal Kit for 497525
28	56900117	3	Elbow
29	56900306	4	Elbow
30	56497834	1	Pump Assembly (manual steering) *Note
	56497877	1	Pump Assembly (power steering) *Note
31	56900015	1	Connector
32	56456968	1	Hydraulic Pump
33	56900020	2	Connector
34	56900116	1	Elbow
35	56900115	1	Connector
36	56456943	2	Hose
37	56900406	2	Elbow w/nut
38	56900468	1	Reducer
39	56900151	1	Elbow
40	56497330	2	Hose
41	56900305	1	Elbow
42	56900005	1	Connector
43	56497787	1	Wheel Drive Motor
	56498000	1	Seal Kit for 497787
44	56900525	1	Elbow
45	56900110	2	Elbow
46	56488745	2	Hose
47	56900004	1	Connector
48	56900104	1	Elbow
49	56479609	1	Side Broom Motor
	56479575	1	Seal Kit for 479609
50	56497801	1	Control Valve
51	56479656	1	Filler Cap
52	56497344	1	Hose
53	56456913	1	Hose
54	56101281	1	Grommet
55	56900018	1	Connector
56	56497346	2	Hose
57	56900112	1	Elbow
58	56900403	2	Elbow w/nut
59	56484312	2	Hose
60	56900003	2	Connector
61	56497909	1	Block
62	56497875	1	Torque Generator
63	56900346	1	Tee
64	56900306	2	Elbow
65	56900106	2	Elbow
66	56900486	2	Connector
67	56497918	1	Hydraulic Pump

\* NOTE: After SN 1194514 Item 30 attaches with mounting holes horizontal rather than at an angle.



## POWER STEERING ASSEMBLY

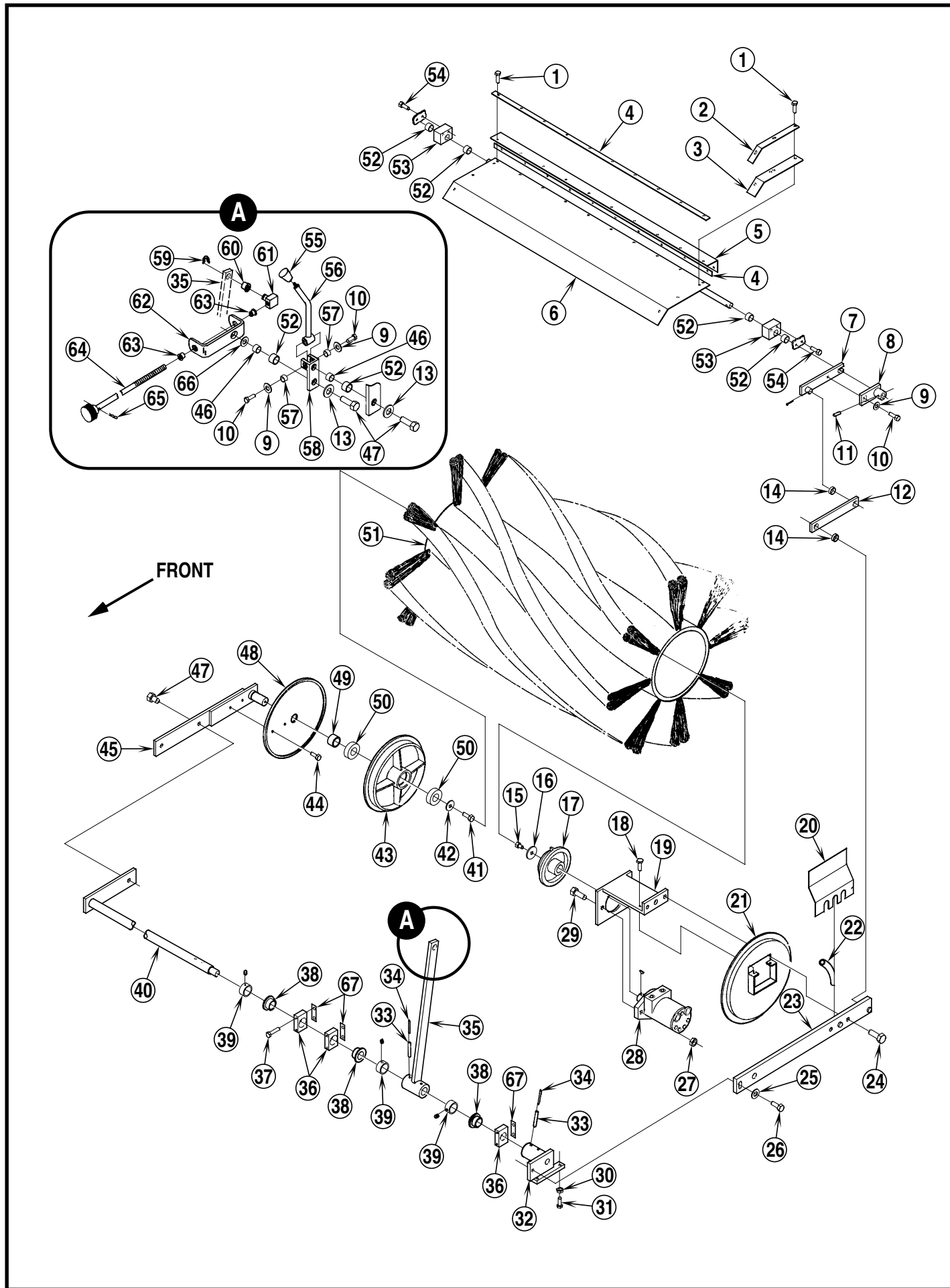
Item	Part No.	Qty	Description
1	56014448	1	Decal, Logo
2	56497543	1	Cap
3	56002773	1	Nut, Hex Nyl Loc 1/2-20
4	56001991	1	Wsh, SHPRF 1/2
5	56001879	1	Wsh, Flt SAE 1/2
6	56497542	1	Washer
7	56497306	1	Steering Wheel
8	56497560	1	Adapter
9	56497308	1	Cup
10	56250414	1	Bearing, Flange
11	56497897	1	Spacer, Steering Wheel
12	56367095	1	Collar
13	56002021	1	Scr, Soc Set Loc 5/16-18 x .38
14	56124028	6	Key, Woodruff
15	56497904	1	Shaft, Steering Upper
16	56497892	1	Coupling, Shaft
17	56002930	4	Scr, Soc Set Loc 1/4-20 x .38
18	56497875	1	Torque Generator
19	56497909	1	Port Block Kit
20	56002667	3	Scr, Hex Hd 5/16-18 x .75
21	56497906	1	Universal Joint
22	56003081	2	Scr, Soc Set Loc 3/8-16 x .38
23	56497907	1	Shaft, Steering Lower
24	56002221	6	Scr, Hex Hd 5/16-18 x 1.00
25	56393677	2	Bearing
26	56002701	6	Nut, Hex Nyl Loc 5/16-18
27	56471148	1	Sprocket
28	56497905	1	Chain, Steering
29	56497903	1	Channel
30	56002701	1	Nut, Hex Nyl Loc 5/16-18
31	56001939	2	Wsh, Flt SAE 5/16
32	56002420	3	Scr, Hex Hd 5/16-18 x 2.25
33	56497311	1	Bushing, Flange
34	56454079	1	Sprocket Assembly



## REAR AXLE ASSEMBLY

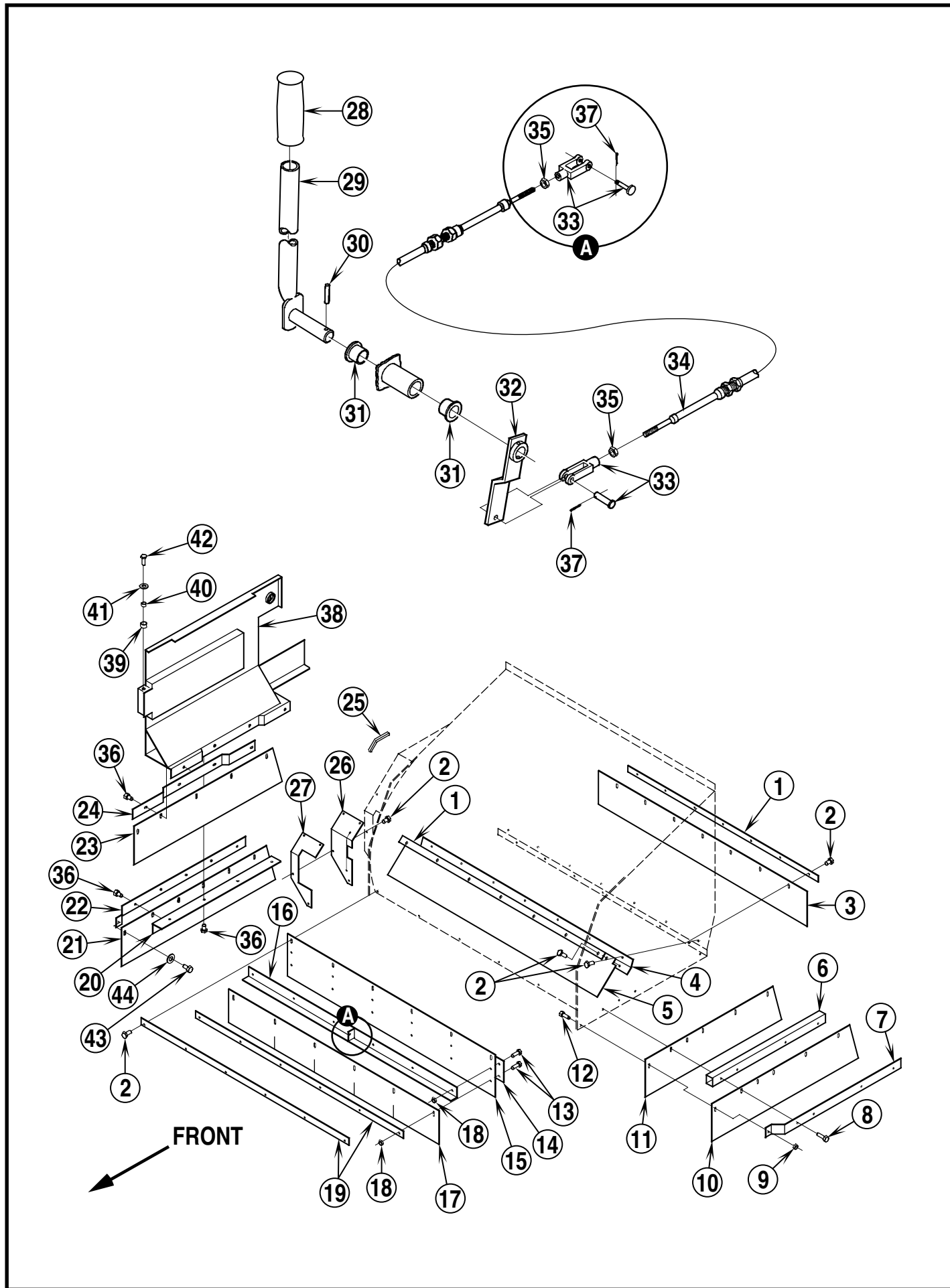
Item	Part No.	Qty	Description
1	56001858	4	Scr, Hex Hd 3/8-16 x 1.25
2	56002063	4	3/8 Washer
3	56497232	2	Plate
4	56002348	2	3/16 x 1 Cotter Pin
5	56101265	2	Castle Nut
6	56101656	2	Washer
7	56477729	2	Spacer
8	56477724	4	Seal
9	56378267	4	Roller Bearing
*	56378259	4	Bearing Race
10	56448145	2	Tire
	56497233	2	Hub
11	56497231	1	Axle
12	56344362	2	Grease Fitting

\* = Not Shown



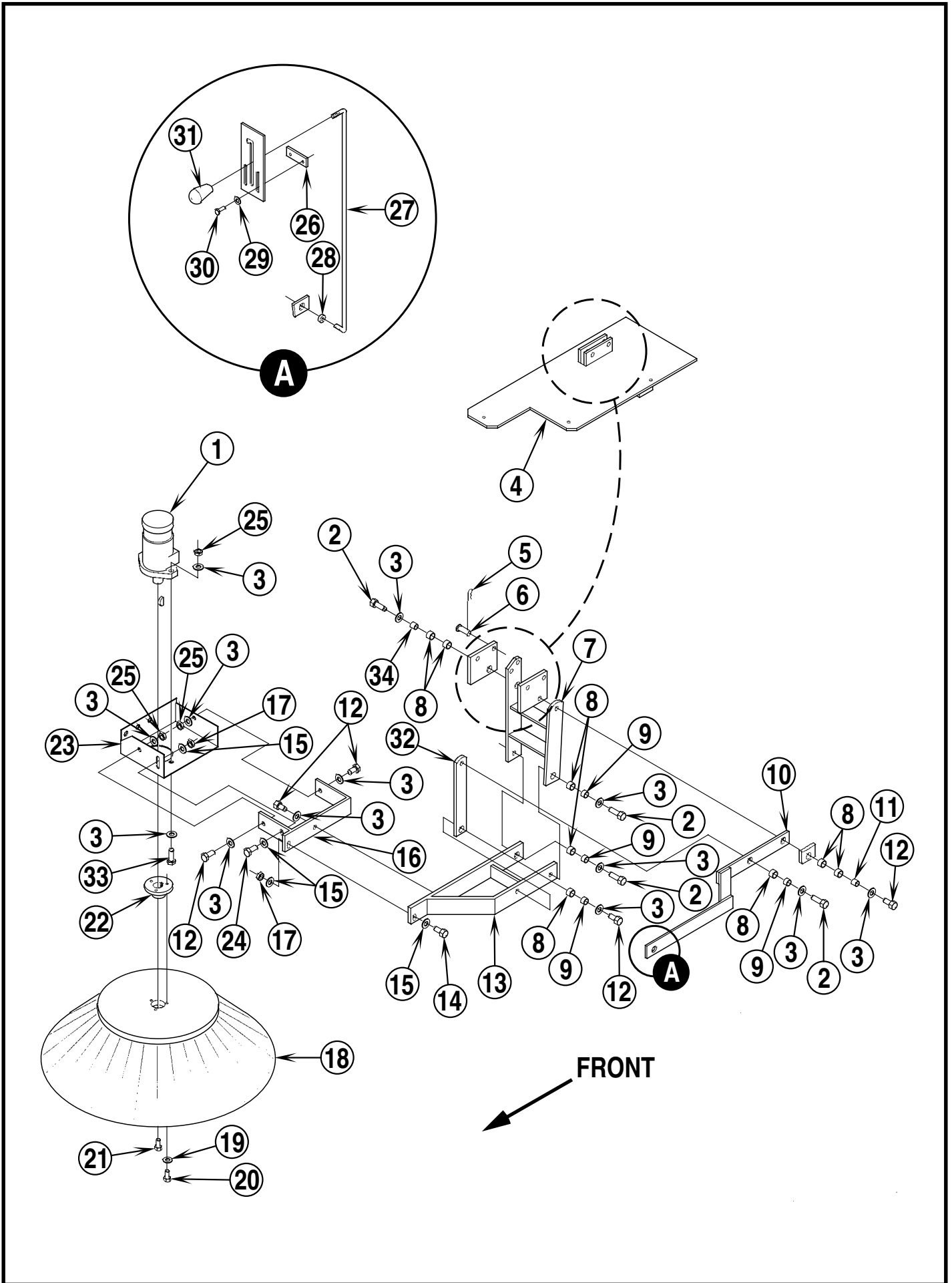
## MAIN BROOM ASSEMBLY

Item	Part No.	Qty	Description	Item	Part No.	Qty	Description
1	56009039	16	Scr, Hex Thd Form 10-24 x .50	39	56444820	3	Collar
2	56497403	2	Strap		56002086	3	Scr, Soc Set 5/16-18 x .25
3	56497402	2	Wrap Side Seal	40	56497380	1	Pivot Shaft
4	56497401	2	Strap	41	56002037	1	Scr, Hex Hd 5/16-18 x .88
5	56497400	1	Wrap Skirt	42	56358959	1	Plated Washer
6	56497395	1	Wrap	43	56477760	1	Idler Hub
7	56497535	1	Arm	44	56001854	2	Scr, Hex Hd 1/4-20 x .50
	56002529	1	1/8 x 1 Cotter Pin	45	56497385	1	Arm
8	56497391	1	Wrap Adjuster	46	56367206	2	Bushing
9	56001939	3	5/16 Flat Washer	47	56003022	3	Scr, Hex Hd 1/2-13 x 1.25
10	56002956	3	Scr, Hex Hd 5/16-18 x .75	48	56479439	1	String Guard
11	56469872	1	1/4 x 1 Spring Pin	49	56479434	1	Bushing
12	56497389	1	Wrap Link	50	56479430	2	Roller Bearing
13	56367214	2	Washer	51	56505044	1	Standard Main Broom/8 Row
14	56370878	2	Sleeve Bearing		56477736	2	Drive Insert for Broom
15	56002948	1	Scr, Hex Loc 1/4-20 x .75	**	56505046	1	Optional Main Broom/16 Row
16	56159387	1	Washer	**	56505047	1	Optional Main Broom/16 Row
17	56477762	1	Broom Motor Hub	52	56367168	6	Bushing
18	56009018	2	Scr, Hex Thd Form 1/4-20 x .75	53	56497394	2	Wrap Pivot Block
19	56497362	1	Motor Mount	54	56002514	4	Scr, Hex Hd 1/4-20 x .75
20	56497236	1	Bracket	55	56364527	1	Knob
21	56497366	1	String Guard	56	56497411	1	Handle
22	56483549	3'	Gasket (915 mm)	57	56320595	2	Bushing
23	56497371	1	Arm	58	56497409	1	Lever
24	56003083	2	Scr, Hex Hd 1/2-13 x 1.00	59	56478775	1	Retaining Ring
25	56001953	1	7/16 Flat Washer	60	56171095	1	Flange Bearing
26	56002239	1	Scr, Hex Hd 7/16-14 x 1.00	61	56497404	1	Swivel
27	56002770	2	Nut, Hex Nyl Loc 1/2-13	62	56497408	1	Swivel
28	56497525	1	Main Broom Motor	63	56185264	2	Flange Bearing
	56479577	1	Seal Kit for above	64	56497405	1	Adjuster Rod
29	56001968	2	Scr, Hex Hd 1/2-13 x 1.50	65	56321406	1	Pin
30	56002123	2	Nut, Hex Nyl Loc 3/8-16	66	56367192	1	1/2 Flat Washer
31	56003031	2	Scr, Hex Hd 3/8-16 x 2.00	67	56497863	3	Spacer
32	56497373	1	Adjuster				
33	56002225	4	5/16 x 1-1/2 Roll Pin	** = Optional			
34	56002268	4	3/32 x 1-1/2 Roll Pin				
35	56497377	1	Lift Arm				
36	56497383	3	Block				
37	56003073	6	Scr, Hex Hd 5/16-18 x 1.00				
38	56444944	3	Flange Bearing				



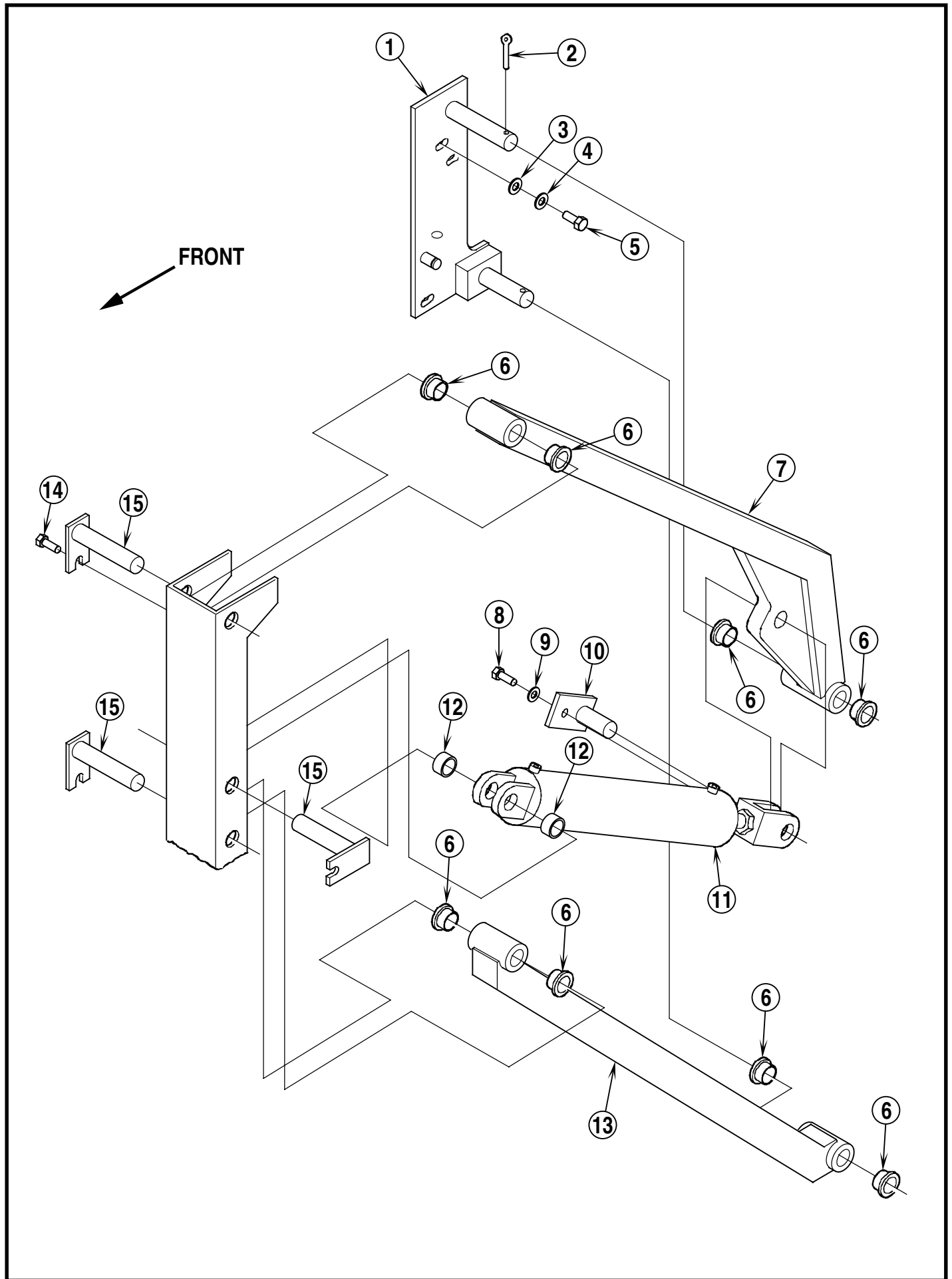
## BROOM HOUSING AND SKIRTS

Item	Part No.	Qty	Description
1	56497509	2	Strap
2	56002155	30	Scr, Hex Hd 1/4-20 x .75
3	56497508	1	Outer Rear Skirt
4	56497526	1	Skirt Bracket
5	56497506	1	Inner Rear Skirt
6	56497413	1	Skirt Bracket
7	56497419	1	Strap
8	56001855	4	Scr, Hex Hd 1/4-20 x 2.50
9	56009179	1	Nut, Hex Machine 1/4-20
10	56497504	1	Outer Left Skirt
11	56497505	1	Inner Left Skirt
12	56002686	1	Scr, Hex Thd Form 1/4-20 x 1.00
13	56001832	12	Scr, Flt Hd Phil 1/4-20 x 1.00
14	56497498	1	Strap
15	56497496	1	Front Skirt
16	56497499	1	Angle Weldment
17	56497497	1	Front Skirt
18	56001976	12	Nut, Hex 1/4-20
19	56497494	2	Front Strap
20	56497415	1	Skirt Bracket
21	56497504	1	Outer Right Skirt
22	56497419	1	Strap
23	56497482	1	Inner Right Skirt
24	56497424	1	Strap
25	56490110	1'	Gasket (305 mm)
26	56497322	1	Seal
27	56497323	1	Seal Bracket
28	56388545	1	Hand Grip
29	56497489	1	Lever
30	56002637	1	Pin 3/16 x 1
31	56171095	2	Flange Bearing
32	56497492	1	Lever
33	56492543	2	Clevis
34	56497444	1	Cable
35	56001987	2	Nut, Hex #10-32
36	56002514	13	Scr, Hex Thd Form 1/4-20 x .75
37	56493008	2	Cotter Pin
38	56497474	1	Door
39	56370878	2	Bearing
40	56367206	2	Bushing
41	56367214	2	Washer
42	56001931	2	Scr, Hex Hd 1/2-13 x 1.25
43	56002512	1	Scr, Pan Hd Phil Thd Form 1/4-20 x .50
44	56364442	1	Washer



## SIDE BROOM

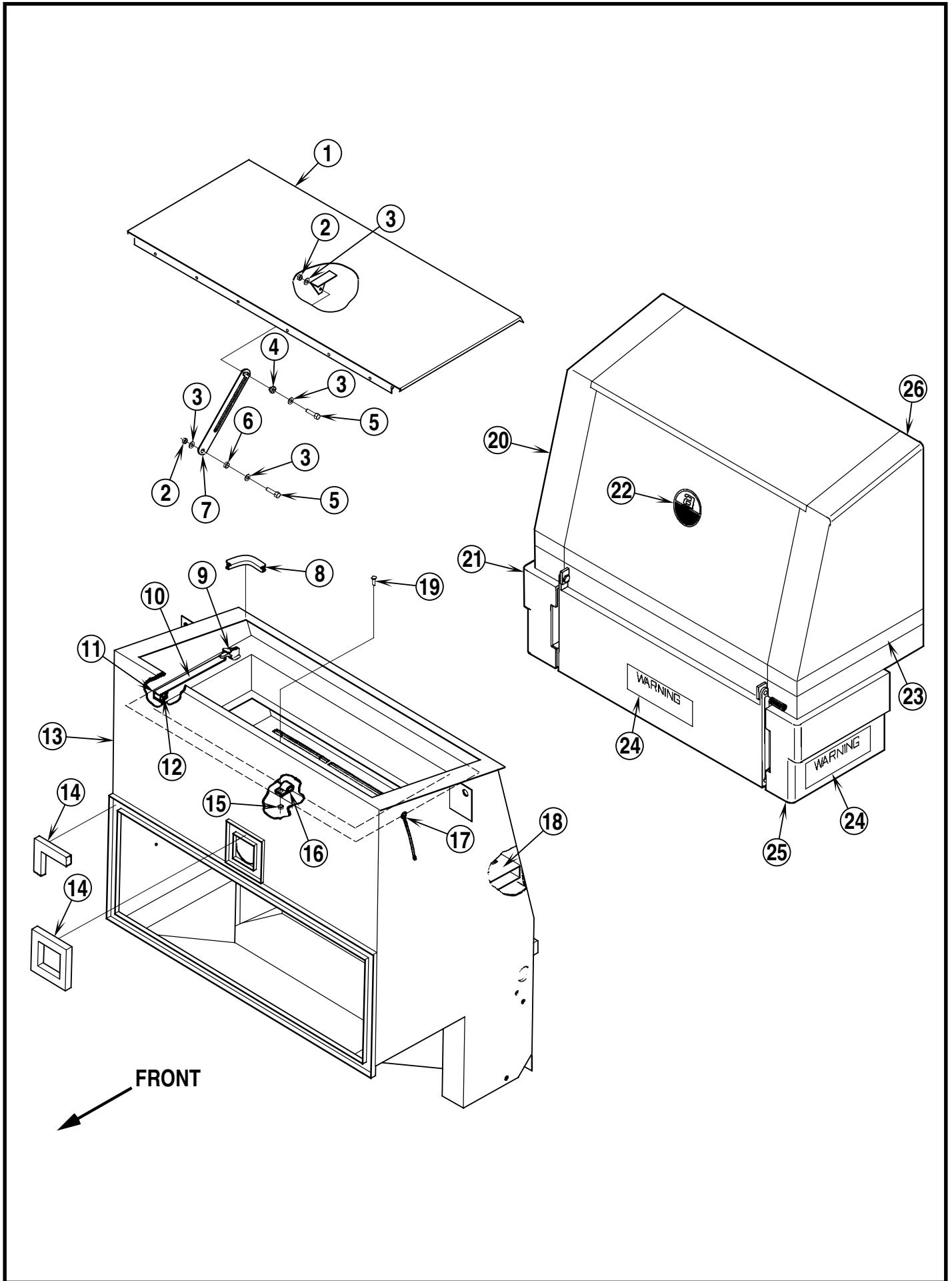
Item	Part No.	Qty	Description
1	56479609	1	Side Broom Motor
	56479575	1	Seal Kit for 479609 Motor
2	56002954	4	Scr, Hex Hd 1/2-13 x 1.50
3	56001879	12	1/2 Flat Washer
4	56497616	1	Mount Plate
5	56321406	1	Hair Pin
6	56486733	1	Pin
7	56497594	1	Pivot
8	56370878	8	Bushing
9	56360627	4	Bushing
10	56497114	1	Lift Arm
11	56367486	1	Bushing
12	56003083	12	Scr, Hex Hd 1/2-13 x 1.00
13	56497592	1	Bracket
14	56002095	2	Scr, Hex Hd 3/8-16 x 1.50
15	56002063	4	3/8 Flat Washer
16	56479903	1	Bracket
17	56002841	2	Nut, Hex Nyl Loc-Thin 3/8-16
18	56477812	1	Side Broom
19	56001939	3	5/16 Flat Washer
20	56001834	3	Scr, Hex Hd 5/16-18 x 1.25
21	56002093	1	Scr, Hex Hd 1/4-20 x 1.00
22	56479948	1	Hub
23	56479945	1	Bracket
24	56002663	1	Scr, Hex Hd 3/8-16 x 1.00
25	56002843	4	Nut, Hex Nyl Loc 1/2-13
26	56497118	1	Plate
27	56497599	1	Lift Rod
28	56368970	1	Bearing
29	56002098	2	1/4 Flat Washer
30	56001854	2	Scr, Hex Hd 1/4-20 x .50
31	56492792	1	Knob
32	56479598	1	Link
33	56001831	2	Scr, Hex Hd 1/2-13 x 1.25
34	56367206	1	Bushing



## HOPPER LIFT ARMS AND CYLINDERS

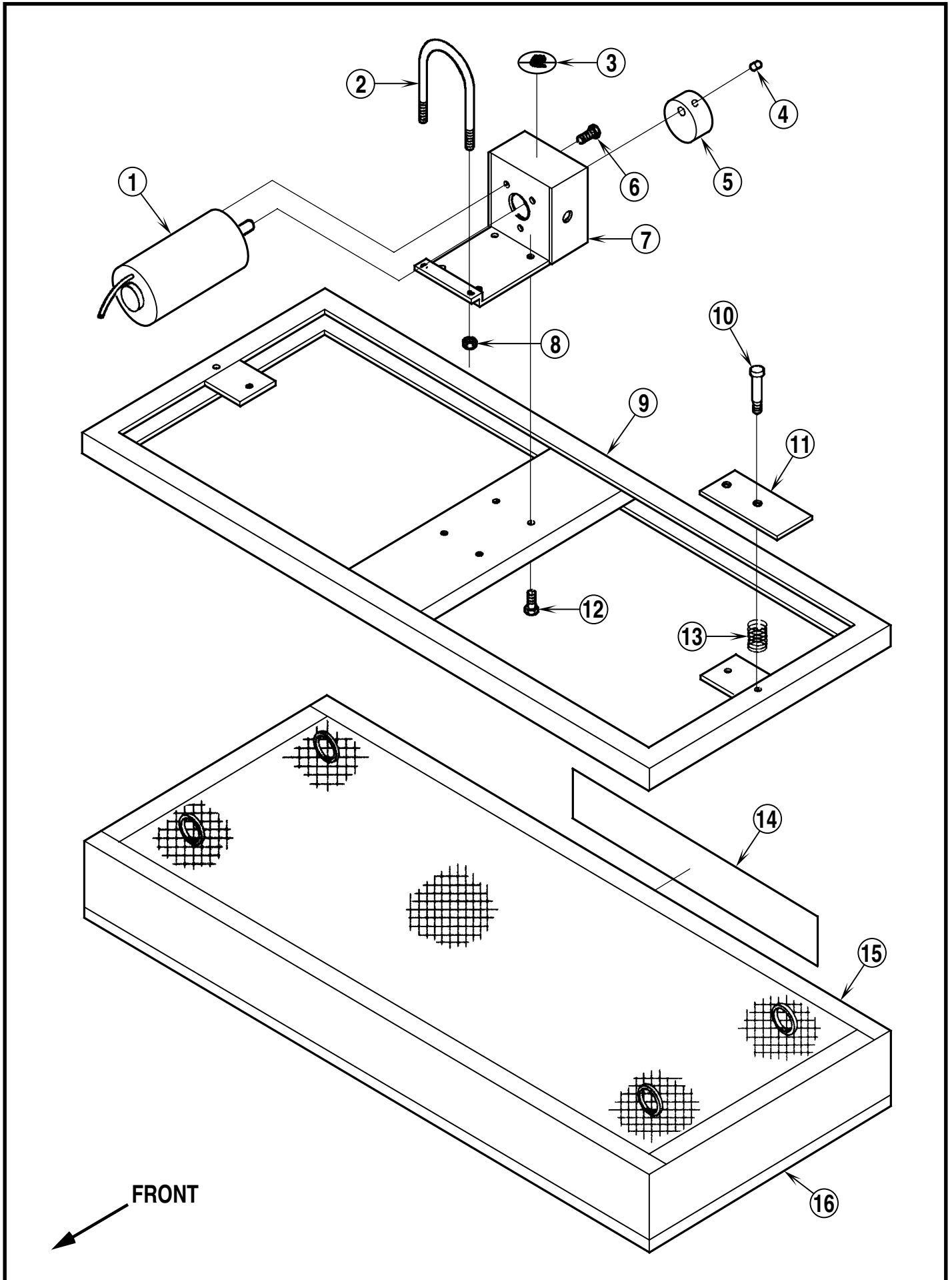
Item	Part No.	Qty	Description
1	56497224	1	Left Plate
*	56497225	1	Right Plate
2	56002181	4	Pin, Cotter .12 x 1.50
3	56001879	6	Wsh, Flt SAE 1/2
4	56001809	6	Wsh, Loc Spr 1/2
5	56001931	6	Scr, Hex Hd 1/2-13 x 1.25
6	56444944	16	Bearing, Flange
7	56497214	1	Upper Left Arm
*	56497215	1	Upper Right Arm
*	56344362	8	Grease Fitting
8	56002514	2	Scr, Hex Thd Form 1/4-20 x .75
9	56002098	2	Wsh, Flt SAE 1/4
10	56497221	2	Cylinder pin
11	56479646	2	Cylinder
12	56378372	4	Bushing
13	56497209	2	Lower Arm
14	56002221	6	Scr, Hex Hd 5/16-18 x 1.00
*	56002701	6	Nut, Hex Nyl Loc 5/16-18
15	56497802	6	Pin

\* = Not Shown



# HOPPER

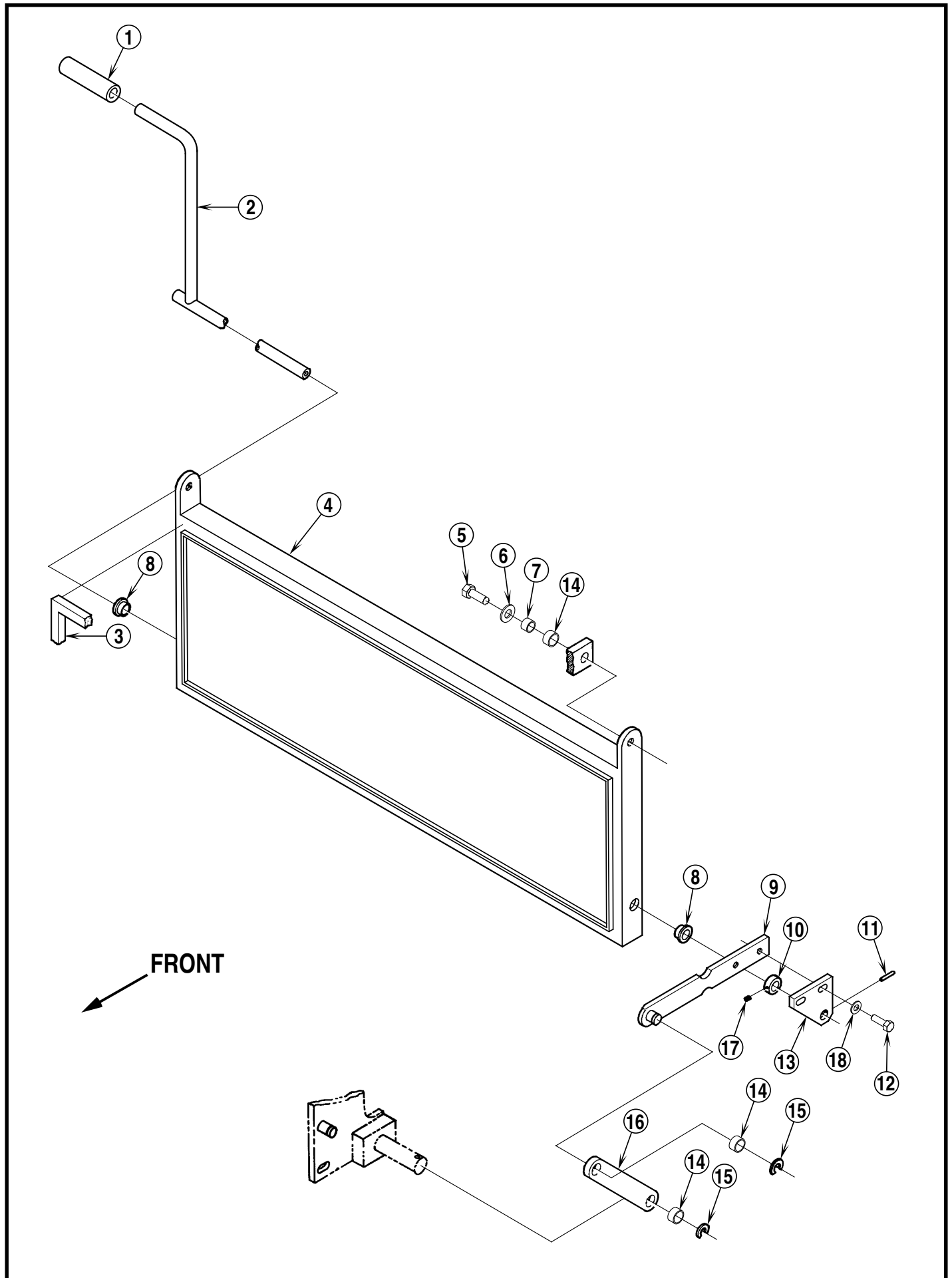
Item	Part No.	Qty	Description
1	56497201	1	Door
2	56002473	2	Nut, Flx Loc 1/4-20
3	56002098	4	Wsh, Flt SAE 1/4
4	56384708	1	Bushing, Step
5	56002155	2	Scr, Hex Hd 1/4-20 x .75
6	56206784	1	Bushing
7	56449262	1	Latch
8	56483549	9'	Seal (274 cm)
9	56491860	2	Clamp, Hold Down
*	56002534	4	Scr, Phil Pn Thd Form 8-32 x .25
10	56491848	2	Lever
11	56321125	4	Ring, Ret. Ext
12	56491826	2	Pin
13	56497120	1	Hopper
14	56490110	2.5'	Gasket (76 cm)
15	56002562	1	Nut, Hex Keps 8-32
16	56342319	1	Clamp, Cable
17	56323092	1	Strain Relief
18	56497794	1	Prefilter
19	56002003	1	Scr, Pan Hd Phil 8-32 x .50
20	56497469	1	Left Hopper Side Panel
21	56497456	1	Left Brace
22	56014322	1	Decal, Logo
23	56024006	3	Decal, Red / Black Stripe
24	56025100	3	Decal, Warning
25	56497457	1	Right Brace
26	56497470	1	Right Hopper Side Panel



## DUST CONTROL FILTER AND SHAKER MOTOR

Item	Part No.	Qty	Description
1	56491820	1	Motor, Shaker 12 Volt DC
*	56497422	1	Cord, Shaker Motor
2	56468329	1	U-Bolt, 5/16-18
3	56030080	1	Decal, Hands Clear
4	56002017	2	Scr, Soc Set 10-24 x .31
5	56491822	1	Eccentric
6	56002672	3	Scr, Cap Socket Hd 10-32 x .50
7	56468331	1	Mount, Motor
8	56002851	2	Nut, Hex Nyl Loc-Thin 5/16-18
9	56494381	1	Hold Down
10	56491872	4	Bolt, Shoulder 5/16-18
11	56489109	2	Bracket
12	56002513	4	Scr, Hex Thd Form 1/4-20 x .75
13	56171177	2	Spring
14	56023320	1	Decal, Filter
15	56494479	1	Filter Panel Assy (includes #14 & 16)
	56494482	1	Filter Panel Only
16	56494485	1	Gasket

\* = Not Shown



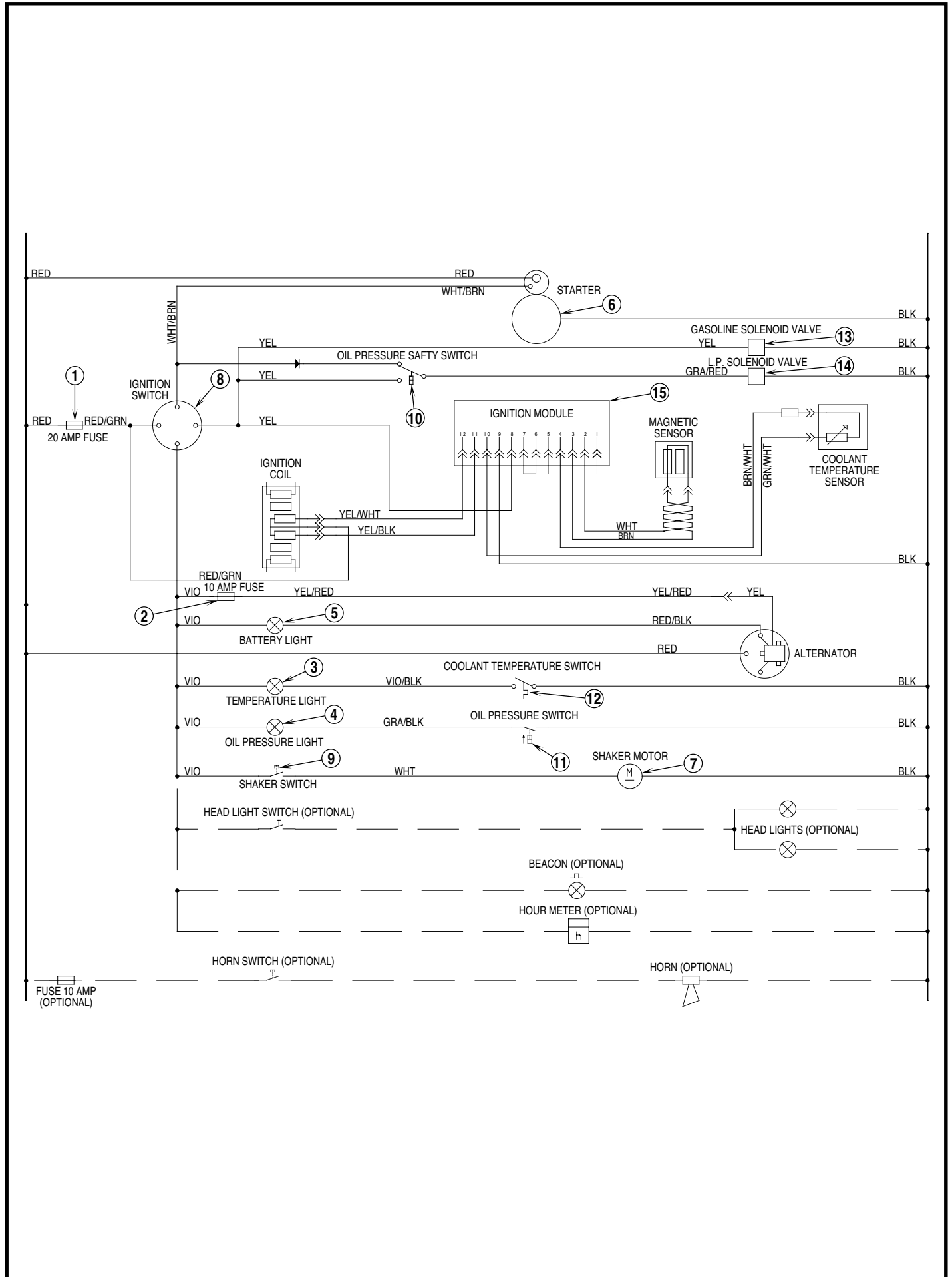
## DUMP DOOR ASSEMBLY

Item	Part No.	Qty	Description
1	56497197	1	Grip
2	56497181	1	Lever
3	56449227	9'	Gasket (277 cm)
4	56497184	1	Dump Door
5	56003022	2	Scr, Hex Loc 1/2-13 x 1.25
6	56367214	2	Washer, Hardened
7	56367206	2	Bushing
8	56171095	2	Bearing, Flange
9	56497192	2	Link
10	56449228	2	Collar
11	56002268	2	Pin, Spring .19 x 1.50
12	56002956	4	Scr, Hex Loc 5/16-18 x .75
13	56497196	2	Plate
14	56370878	6	Bearing, Sleeve
15	56478775	4	Retainer Ring
16	56497195	2	Link
17	56002279	2	Scr, Soc Set Loc 8-32 x .25
18	56001939	1	Wsh, Flt SAE 5/16



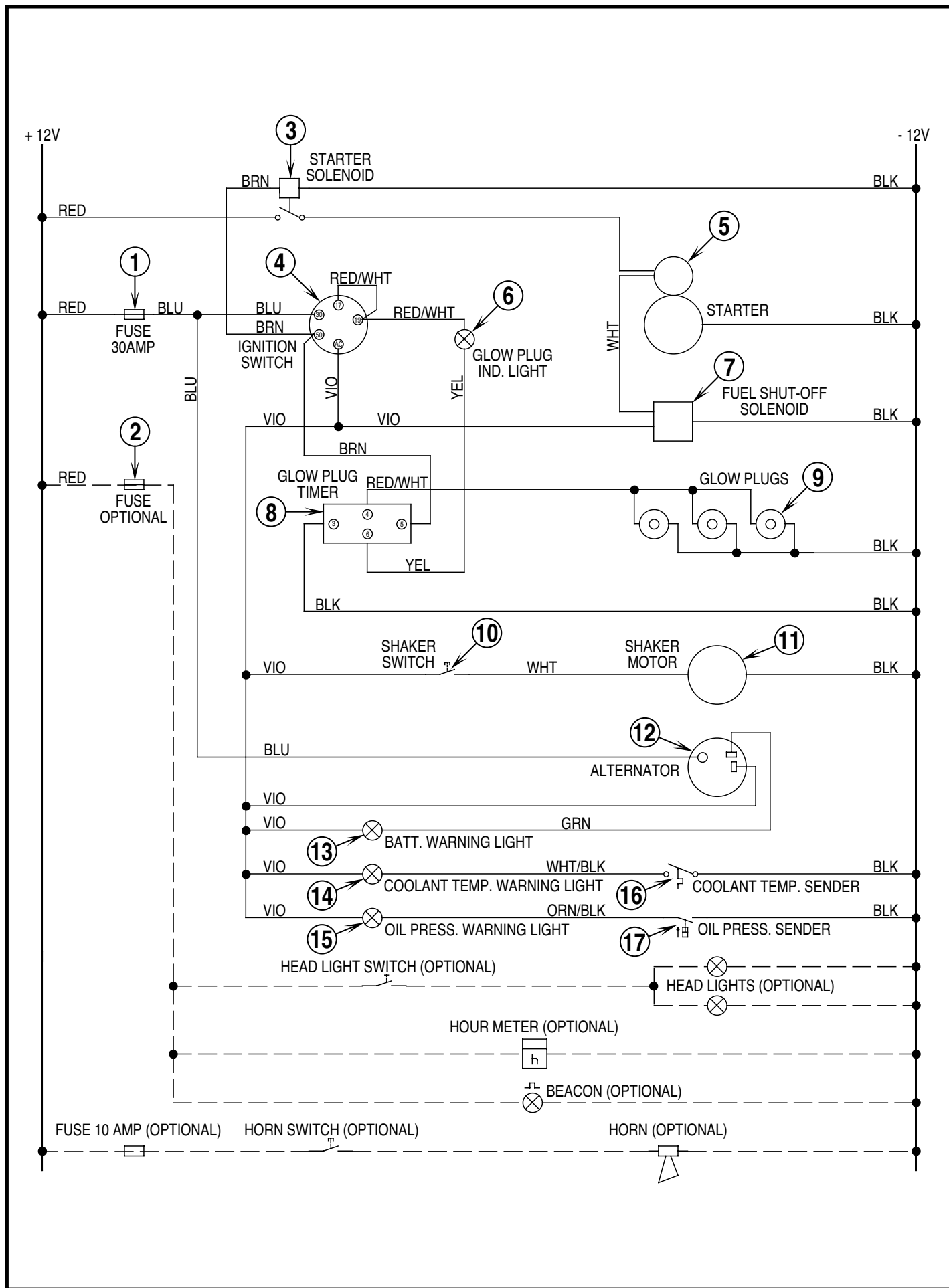
## HYDRAULIC CONTROL VALVES

Item	Part No.	Qty	Description
1	56001861	2	Scr, Hex Hd 1/4-20 x .38
2	56496273	1	Valve, Side Broom
3	56492792	1	Knob
4	56493228	1	Lever
5	56151807	1	Washer
6	56002246	1	Scr, Hex Hd #10-32 x .75
7	56364527	2	Knob
8	56497347	1	Lever
9	56185264	4	Flange Bushing
10	56468834	2	Retaining Ring
11	56477988	2	Linkage
12	56497801	1	Valve, Hyd. Directional Control
13	56001967	2	Scr, Hex Hd 1/4-20 x 1.75
14	56497351	1	Lever
15	56002605	4	Nut, Hex Nyl Loc #10-24
16	56497353	1	Plate
17	56002667	2	Scr, Hex Hd 5/16-18 x .75
18	56155411	2	Washer



## GAS / LP WIRING DIAGRAM

Item	Part No.	Qty	Description
1	56900755	1	20 Amp Fuse, Ignition Switch
2	56900229	1	10 Amp Fuse, Charging Circuit
3	56497703	1	Temperature Light
4	56497702	1	Oil Light
5	56497704	1	Battery Light
6	56462055	1	Starter Motor
7	56491820	1	Shaker Motor
8	56478640	1	Ignition Switch
9	56441555	1	Shaker Switch
10	56493146	1	Oil Pressure Safety Switch
11	56497851	1	Oil Pressure Switch
12	56497849	1	Coolant Temperature Switch
13		1	Gasoline Solenoid Valve w/engine
14	56456626	1	L.P. Solenoid Valve
*	56497848	1	Main Wiring Harness
*	56900227	1	Fuse Holder
**	56497024	1	Horn Kit
**	56497022	1	Headlight Kit
**	56497026	1	Beacon Kit
**	56497021	1	Hour Meter Kit
* = Not Shown			
** = Optional Kit			



## DIESEL WIRING DIAGRAM

Item	Part No.	Qty	Description
1	56900283	1	Fuse, 30Amp
2	56900755	1	Fuse, Optional 20Amp
3		1	Starter Solenoid <b>(included with starter)</b>
4	56497754	1	Key Switch, Diesel
5	56482661	1	Starter
6	56482653	1	Glow Plug Light w/timer
7	56482663	1	Fuel Shut-Off Solenoid
8		1	Glow Plug Timer <b>(included with Glow Plug Light)</b>
9	56482655	3	Glow Plug
10	56441555	1	Shaker Switch
11	56491820	1	Shaker Motor
12	56482662	1	Alternator
13	56497704	1	Battery Warning Light
14	56497703	1	Coolant Temp. Warning Light
15	56497702	1	Oil Press. Warning Light
16	56481888	1	Coolant Temp. Sender
17	56478698	1	Oil Press. Sender
*	56497870	1	Main Wiring Harness
*	56900227	1	Fuse Holder
**	56497024	1	Horn Kit
*	56900229	1	Fuse for Horn Kit
**	56497022	1	Headlight Kit
**	56497026	1	Beacon Kit
**	56497021	1	Hour Meter Kit

\* = Not Shown

\*\* = Optional Kit



Nilfisk-Advance, Inc.  
14600 21st Avenue North  
Plymouth, MN, 55447-3408  
[www.nilfisk-advance.com](http://www.nilfisk-advance.com)  
Phone: 800-989-2235  
Fax: 800-989-6566  
©2000 Nilfisk-Advance, Inc.,  
Plymouth, MN 55447-3408  
Printed in the U.S.A.