



Electronic Service Manuals

This electronic document is provided as a service to our customers. We do not create the contents of the information contained in this document. Should you have detailed questions pertaining to the information contained in this document, you may contact Michco, or the manufacturer which provided the original information in this electronic deliverable. Michco's only part in this electronic deliverable was the electronic assembly process.

You may contact Michco through the following methods:
Phone (517) 484-9312 or (800) 331-3339 MI, OH, IN only
2011 N. High St. -- Lansing, Michigan -- 48906
Fax: (517) 484-9836
Email: CustServ@Michco.com
Web site: www.Michco.Com
Parts Web site: www.FloorMachineParts.Com

Order Parts on Line at:
www.FloorMachineParts.Com

Directly to Parts & Service:
By Email: **Shop@Michco.com**
By Fax: (517) 702-2041
By Voice: Use numbers above.

Serving the Cleaning Industry Since 1922

Notice: All copyrighted material remains property of original owners, all trademarks are property of respective owners. Manuals are subject to Manufacturer's reproduction limitations. Originals or reproductions were provided by manufacturers through a request. We make no warranty as to the correctness of information provided in this document and you assume all risk.

Hydro-Retriever™ 5010B



PARTS LIST

Advance MODELS 56452100, 56452105

This parts list is for machines after serial number 372789

All models covered in this manual are OBSOLETE



**Nilfisk
Advance**

setting standards

12/89 revised 3/01 FORM NO. 56042217

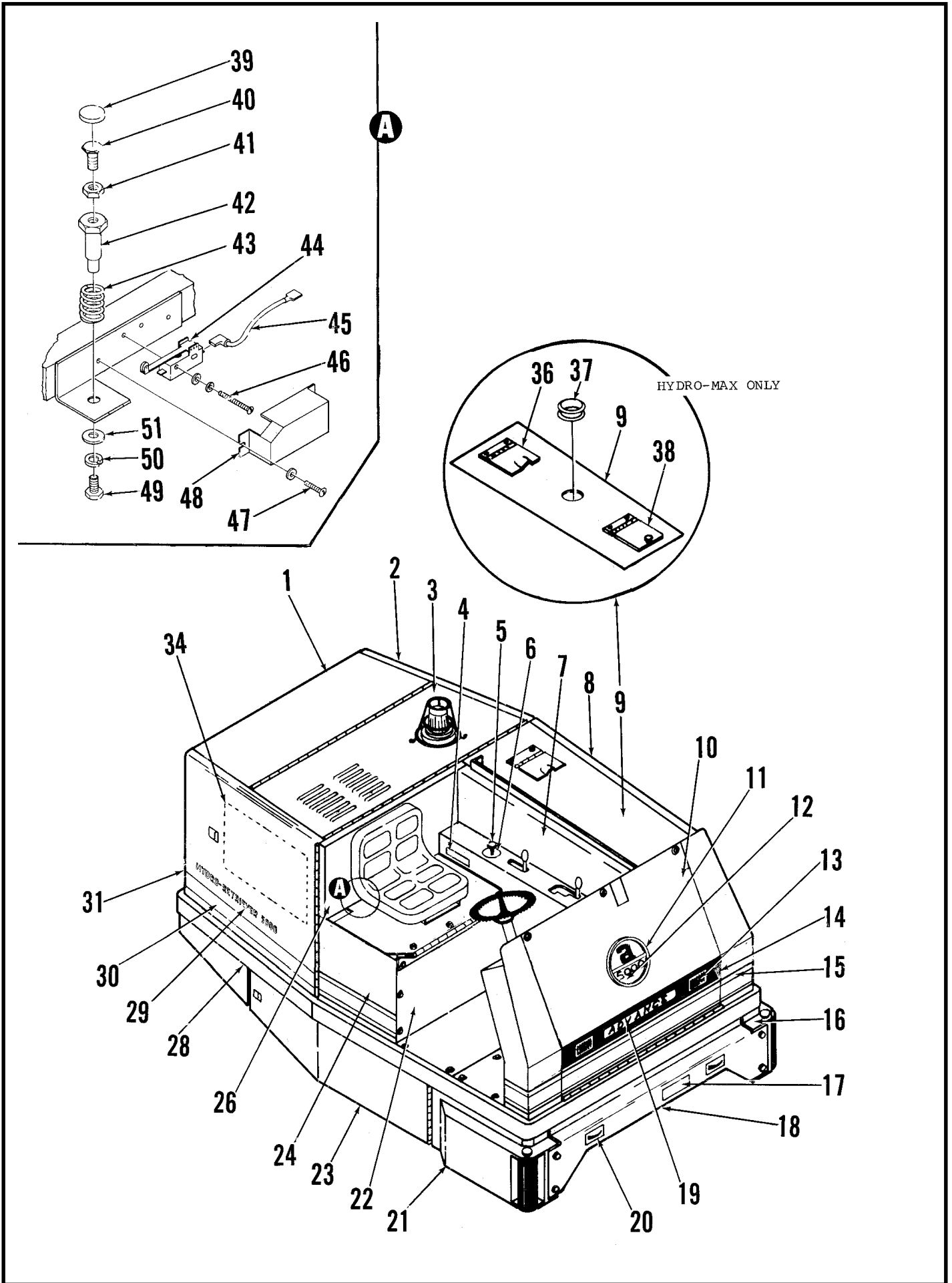
TABLE OF CONTENTS

| DESCRIPTION | PAGE |
|--|-------|
| Outer Body - 1 | 1-2 |
| Outer Body - 2 | 3-4 |
| Transaxle And Brake Assembly | 5-6 |
| Differential And Brake Assembly | 7-8 |
| Steering Assembly | 9-10 |
| Broom Housing Assembly | 11-12 |
| Brush Drive Assembly | 13-14 |
| Gearcase Assembly | 15-16 |
| Skirts - 1 | 17-18 |
| Skirts - 2 | 19-20 |
| Squeegee Mount And Lift Assembly | 21-22 |
| Squeegee Assembly | 23-24 |
| Solution Tank And Valves | 25-26 |
| Solution Tank With Hydro-Max | 27-28 |
| Recovery Tank And Vacuum System | 29-30 |
| Recovery Tank With Hydro-Max | 31-32 |
| Drive Pedal Assembly | 33-34 |
| Left Electrical Panel | 35 |
| Right Electrical Panel | 36 |
| Wiring Diagram | 37-38 |
| Optional Parts And Accessories | 39 |

WHEN ORDERING PARTS

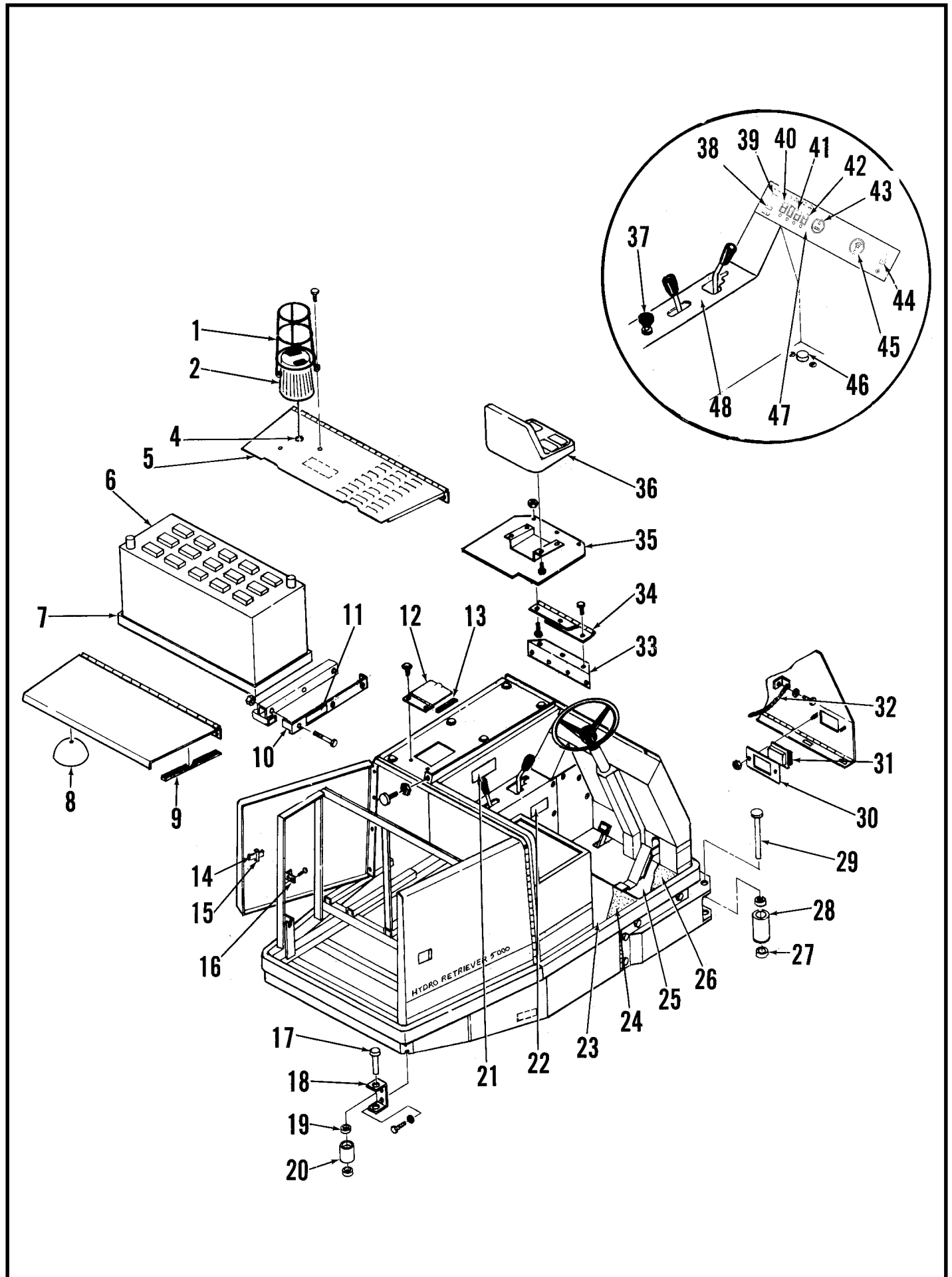
- * Use the 8 digit numbers from the "Part No." columns in this parts list.
- * Specify the model and serial number of the machine.
- * Use the space below to record the model and serial number for future reference.

Model _____ Serial No. _____



OUTER BODY - 1

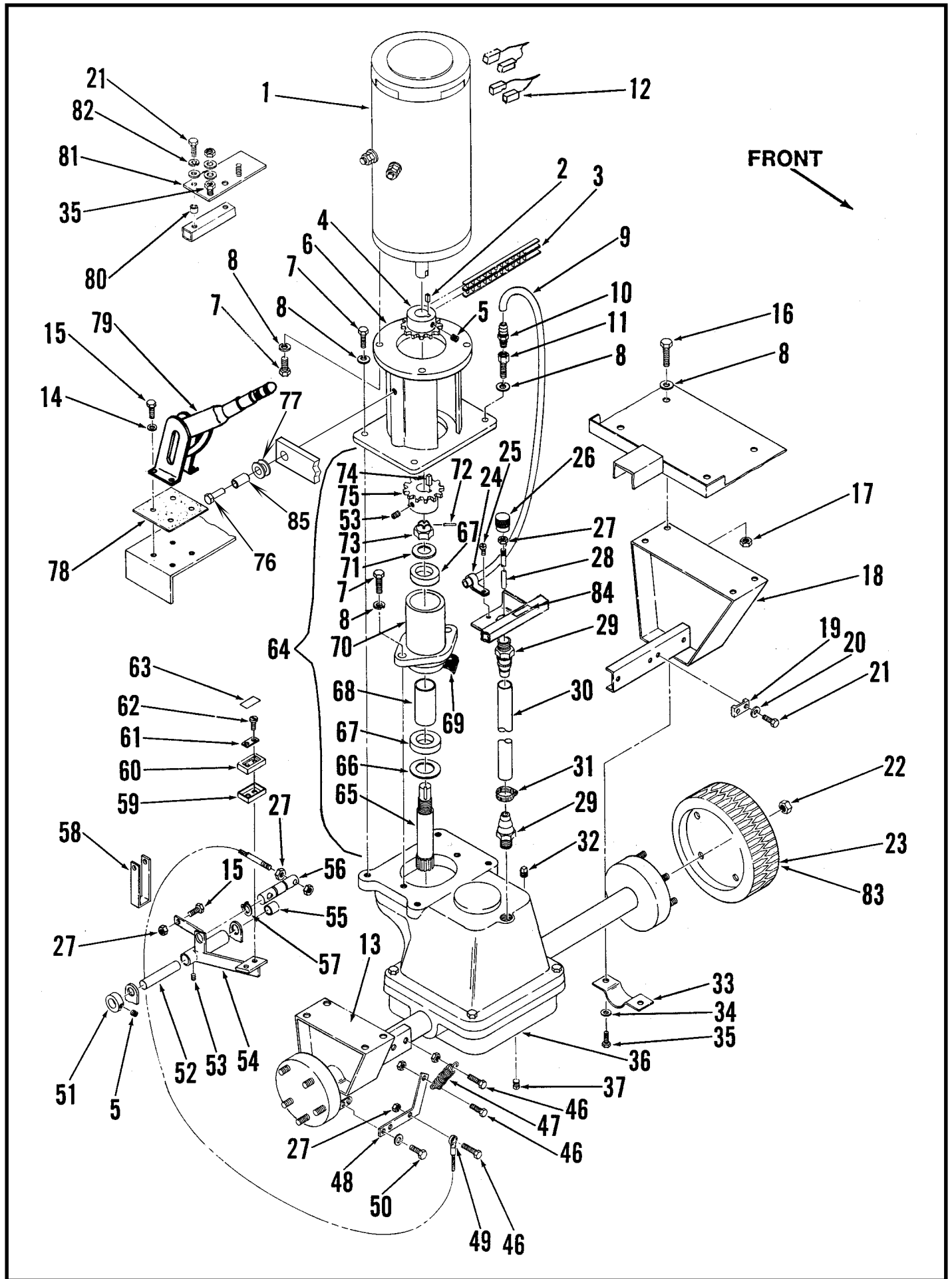
| Item | Part No. | Qty | Description |
|------|----------|-----|-----------------------------|
| 1 | 56452112 | 1 | Cover |
| | 56452113 | 1 | Cover (Hydro-Max) |
| 2 | 56452122 | 1 | Left Panel Assembly |
| 3 | 56452114 | 1 | Panel |
| 4 | 56025363 | 1 | Decal, Caution |
| 5 | 56452138 | 1 | Disconnect Assembly |
| 6 | 56025109 | 1 | Decal, Emergency Disconnect |
| 7 | 56452118 | 1 | Panel |
| 8 | 56452123 | 1 | Panel |
| 9 | 56452119 | 1 | Panel |
| | 56452125 | 1 | Panel (Hydro-Max) |
| 10 | 56452106 | 1 | Front Panel Assembly |
| 11 | 56024958 | 1 | Advance Emblem |
| 12 | 56024001 | 1 | Decal, 5010B Insert |
| 13 | 56482355 | 2 | Headlight |
| * | 56482383 | A/R | Replacement Bulb |
| 14 | 56024004 | 1 | Decal, Panel |
| 15 | 56024007 | 1 | Decal, Grey Stripe |
| 16 | 56454697 | 1 | Left Corner Panel |
| 17 | 56025360 | 1 | Decal, Caution |
| 18 | 56454691 | 1 | Plate |
| 19 | 56014637 | 1 | Decal, Advance |
| 20 | 56025336 | 2 | Decal, Flow Control |
| 21 | 56454695 | 1 | Right Corner Panel |
| 22 | 56455024 | 1 | Panel |
| 23 | 56453116 | 1 | Right Panel |
| | 56453112 | 1 | Left Panel |
| 24 | 56452115 | 1 | Seat Panel |
| 26 | 56452111 | 1 | Rear Seat Panel |
| 28 | 56453032 | 1 | Chassis |
| 29 | 56024002 | 2 | Decal, Hydro-Retriever 5010 |
| 30 | 56024006 | 2 | Decal, Red & Black Stripe |
| 31 | 56452121 | 1 | Right Panel Assembly |
| 34 | 56024010 | 1 | Decal, Wiring |
| 36 | 56452110 | 1 | Cover |
| 37 | 56477512 | 1 | Grommet (Hydro-Max) |
| 38 | 56452109 | 1 | Cover (Hydro-Max) |
| 39 | 56401788 | 1 | Cap |
| 40 | 56401783 | 1 | Leveler |
| 41 | | 1 | 5/16-18 Nut |
| 42 | 56491204 | 1 | Pin |
| 43 | 56491206 | 1 | Spring |
| 44 | 56457364 | 1 | Switch |
| 45 | 56457354 | 2 | Wire Assembly |
| 46 | | 2 | #6-32 x 7/8 Screw |
| 47 | | 2 | #8-32 x 1/4 Screw |
| 48 | 56457374 | 1 | Cover |
| 49 | | 1 | 5/16-18 x 5/8 Screw |
| 50 | | 1 | 5/16 Lock Washer |
| 51 | 56180200 | 1 | Washer |



OUTER BODY - 2

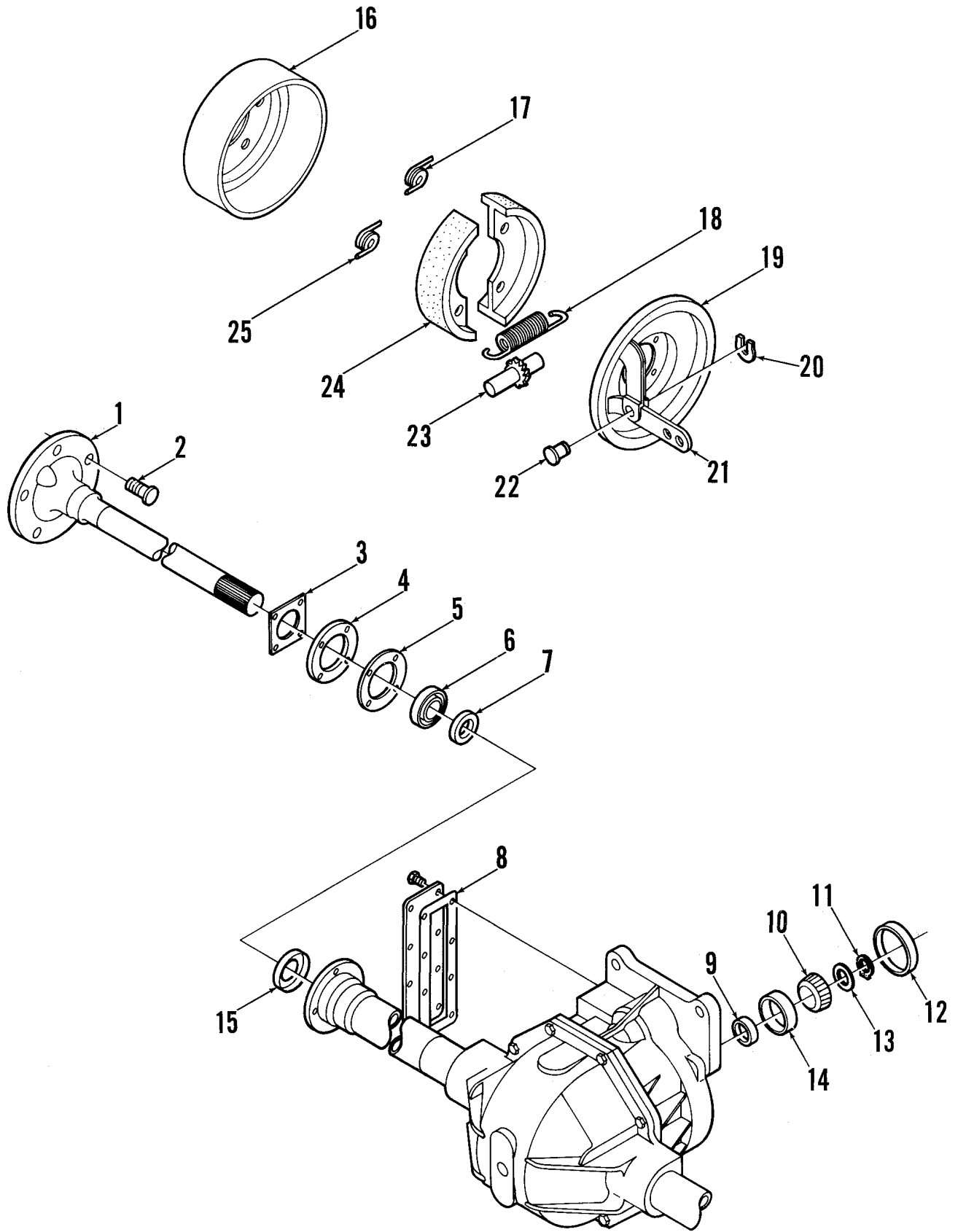
| Item | Part No. | Qty | Description |
|------|----------|-----|--|
| 1 | 56496061 | 1 | Light Guard TSB 603, G-7 |
| 2 | 56482343 | 1 | Rotating Beacon TSB 603, G-7 |
| 4 | 56570206 | 1 | Grommet |
| 5 | 56452114 | 1 | Panel |
| 6 | 56454400 | 1 | Battery, 475 A.H. (Not Included) |
| * | 56448130 | 1 | 100 Amp Battery Charger (Not Included) |
| 7 | 56454401 | 1 | Battery Tray |
| 8 | 56454719 | 1 | Deflector |
| 9 | 56490112 | 1 | Gasket |
| 10 | 56454937 | 2 | Battery Bracket |
| 11 | 56030080 | 2 | Decal, Hands Clear |
| 12 | 56452110 | 1 | Cover |
| 13 | 56479854 | 1 | Gasket |
| 14 | 56493272 | 2 | Latch TSB 760 |
| 15 | 56455108 | 2 | Clamp |
| 16 | 56455105 | 2 | Strike Latch |
| 17 | 56454916 | 2 | Pin |
| 18 | 56454913 | 2 | Bumper Bracket |
| 19 | 56362352 | 4 | Ball Bearing |
| 20 | 56454904 | 2 | Bumper |
| 21 | 56025396 | 1 | Decal, Caution |
| 22 | 56025122 | 1 | Decal, Parking Brake |
| 23 | 56452147 | 1 | Floor Plate |
| 24 | 56452148 | 1 | Floor Mat |
| 25 | 56452150 | 1 | Floor Plate |
| 26 | 56452151 | 1 | Floor Mat |
| 27 | 56362352 | 4 | Ball Bearing |
| 28 | 56456857 | 2 | Bumper |
| 29 | 56454889 | 2 | Pin |
| 30 | 56493061 | 2 | Headlight Bracket |
| 31 | 56482355 | 2 | Headlight |
| 32 | 56454980 | 1 | Chain |
| 33 | 56452197 | 1 | Angle |
| 34 | 56457378 | 1 | Hinge |
| 35 | 56452196 | 1 | Seat Panel |
| 36 | 56481346 | 1 | Seat |
| 37 | 56452138 | 1 | Disconnect Assembly |
| 38 | 56452183 | 1 | Indicator Light (Hydro-Max) |
| 39 | 56452183 | 1 | Indicator Light |
| 40 | 56376348 | 1 | Rocker Switch |
| 41 | 56377003 | 2 | Rocker Switch |
| 42 | 56376348 | 1 | Rocker Switch (Hydro-Max) |
| 43 | 56478363 | 1 | Hour Meter |
| 44 | 56478640 | 1 | Main Switch |
| 45 | 56448677 | 1 | Battery Condition Meter |
| 46 | 56441555 | 1 | Horn Switch |
| 47 | 56024008 | 1 | Decal, Control Panel |
| 48 | 56024003 | 1 | Decal, Control Panel |
| * | 56452181 | 1 | Dash Wiring Harness |

* = Not Shown



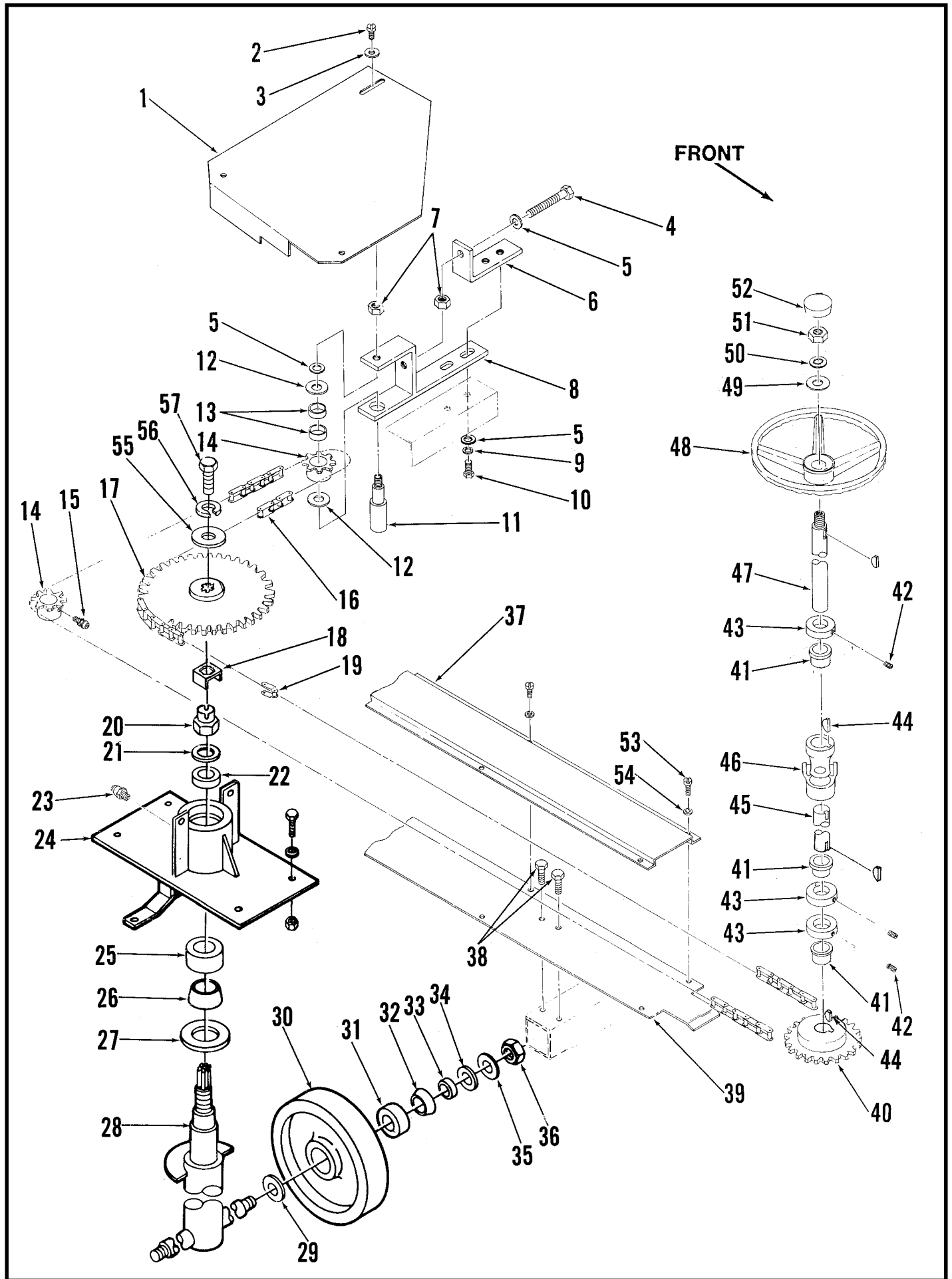
TRANSAXLE AND BRAKE ASSEMBLY

| Item | Part No. | Qty | Description | Item | Part No. | Qty | Description |
|------|----------|-----|-----------------------------------|------|----------|-----|------------------------|
| 1 | 56454484 | 1 | Motor | 61 | 56365081 | 1 | Plate |
| 2 | 56443719 | 1 | Square Key | 62 | | 2 | 1/4-20 x 3/4 Screw |
| 3 | 56480820 | 1 | Chain | 63 | 56025122 | 1 | Decal, Brake |
| 4 | 56453410 | 1 | Sprocket | 64 | 56453420 | 1 | Shaft Housing Assembly |
| 5 | | 4 | 5/16-18 x 5/16 Set Screw | 65 | 56453406 | 1 | Shaft |
| 6 | 56454490 | 1 | Motor Adapter | 66 | 56378399 | 1 | Retaining Ring |
| 7 | | 17 | 3/8-16 x 1 Screw | 67 | 56479430 | 2 | Ball Bearing |
| 8 | | 10 | 3/8 Lock Washer | 68 | 56453423 | 1 | Spacer |
| 9 | 56492744 | 1 | Tube | 69 | 56453419 | 1 | Gasket |
| 10 | 56477522 | 1 | Barb | 70 | 56453401 | 1 | Shaft Housing |
| 11 | 56453487 | 1 | Screw | 71 | | 1 | 7/8 Flat Washer |
| 12 | 56454485 | 1 | Carbon Brush (set of 8) | 72 | | 1 | 3/16 x 2 Cotter Pin |
| 13 | 56453435 | 1 | Right Bracket | 73 | 56110817 | 1 | 7/8-24 Castle Nut |
| 14 | | 6 | 1/4 Flat Washer | 74 | 56740168 | 1 | Square Key |
| 15 | | 7 | 1/4-20 x 3/4 Screw | 75 | 56453409 | 1 | Sprocket |
| 16 | | 8 | 3/8-16 x 3/4 Screw | 76 | | 2 | 1/2-13 x 1 Screw |
| 17 | | 8 | 3/8 Whiz Nut | 77 | 56453254 | 2 | Grommet |
| 18 | 56453430 | 1 | Left Bracket | 78 | 56454956 | 1 | Floor Mat |
| 19 | 56477884 | 4 | Cable Clamp | 79 | 56448200 | 1 | Brake Lever |
| 20 | | 8 | 1/4 Washer | 80 | 56367206 | 2 | Bushing |
| 21 | | 10 | 1/4-20 x 1 Screw | 81 | 56454444 | 1 | Terminal Block |
| 22 | 56453469 | 10 | Lug Nut | 82 | | 2 | 1/4 Lock Washer |
| 23 | 56452201 | 2 | Wheel Assembly | 83 | 56452200 | 2 | Tire |
| 24 | 56342319 | 1 | Tube Clamp | 84 | 56025354 | 1 | Decal, Oil Level |
| 25 | | 1 | #10-32 x 3/4 Screw | 85 | 56367206 | 2 | Bushing |
| 26 | 56453483 | 1 | Knob | | | | |
| 27 | | 10 | 1/4-20 Nut | | | | |
| 28 | 56453478 | 1 | Rod | | | | |
| 29 | 56453485 | 2 | Barb | | | | |
| 30 | 56453475 | 1 | Tube | | | | |
| 31 | 56112771 | 1 | Hose Clamp | | | | |
| 32 | 56106046 | 1 | 1/8 Pipe Plug | | | | |
| 33 | 56453472 | 2 | Strap | | | | |
| 34 | | 4 | 5/16 Shakeproof Washer | | | | |
| 35 | | 7 | 5/16-18 x 1 Screw | | | | |
| 36 | 56453413 | 1 | Hydrostatic Axle | | | | |
| 37 | 56113182 | 1 | 1/2 Pipe Plug | | | | |
| | | | Items 38-45 Omitted Intentionally | | | | |
| 46 | | 6 | 1/4-20 x 7/8 Screw | | | | |
| 47 | 56448112 | 2 | Extension Spring | | | | |
| 48 | 56453460 | 1 | Lever | | | | |
| 49 | 56468460 | 2 | Cable Assembly | | | | |
| 50 | | 4 | 5/16-18 x 3/4 Screw | | | | |
| 51 | 56367354 | 2 | Collar | | | | |
| 52 | 56453958 | 1 | Rod | | | | |
| 53 | | 2 | 1/4-20 x 1/4 Set Screw | | | | |
| 54 | 56453950 | 1 | Lever | | | | |
| 55 | 56478781 | 2 | Bearing | | | | |
| 56 | 56453966 | 1 | Pin | | | | |
| 57 | 56468834 | 2 | Retaining Ring | | | | |
| 58 | 56453964 | 1 | Strap | | | | |
| 59 | 56365083 | 1 | Cup | | | | |
| 60 | 56365082 | 1 | Rubber Pad | | | | |



DIFFERENTIAL AND BRAKE ASSEMBLY

| Item | Part No. | Qty | Description |
|------|----------|-----|------------------------------|
| 1 | 56455156 | 2 | Axle Shaft |
| 2 | 56455155 | 10 | Wheel Bolt |
| 3 | 56455157 | 2 | Wiper Seal |
| 4 | 56503022 | 2 | Brake Mount Casting |
| 5 | 56455160 | 2 | Gasket |
| 6 | 56455158 | 2 | Bearing |
| 7 | 56455159 | 2 | Wheel Bearing Retaining Ring |
| 8 | 56455153 | 1 | Side Cover Gasket |
| 9 | 56455146 | 1 | Bearing Spacer |
| 10 | 56455148 | 1 | Bearing Cone |
| 11 | 56455150 | 1 | Snap Ring |
| 12 | 56455151 | 1 | Expansion Plug |
| 13 | 56455149 | 1 | Shim |
| 14 | 56455147 | 1 | Bearing Cup |
| 15 | 56455161 | 2 | Oil Seal |
| 16 | 56453414 | 2 | Brake Drum |
| 17 | 56453437 | 2 | Spring |
| 18 | 56453439 | 2 | Extension Spring |
| 19 | 56453440 | 2 | Dust Shield |
| 20 | 56453427 | 2 | Retaining Ring |
| 21 | 56453425 | 2 | Lever Assembly |
| 22 | 56453429 | 2 | Pin |
| 23 | 56453415 | 2 | Adjuster Assembly |
| 24 | 56453421 | 4 | Brake Shoe |
| 25 | 56453433 | 2 | Spring |

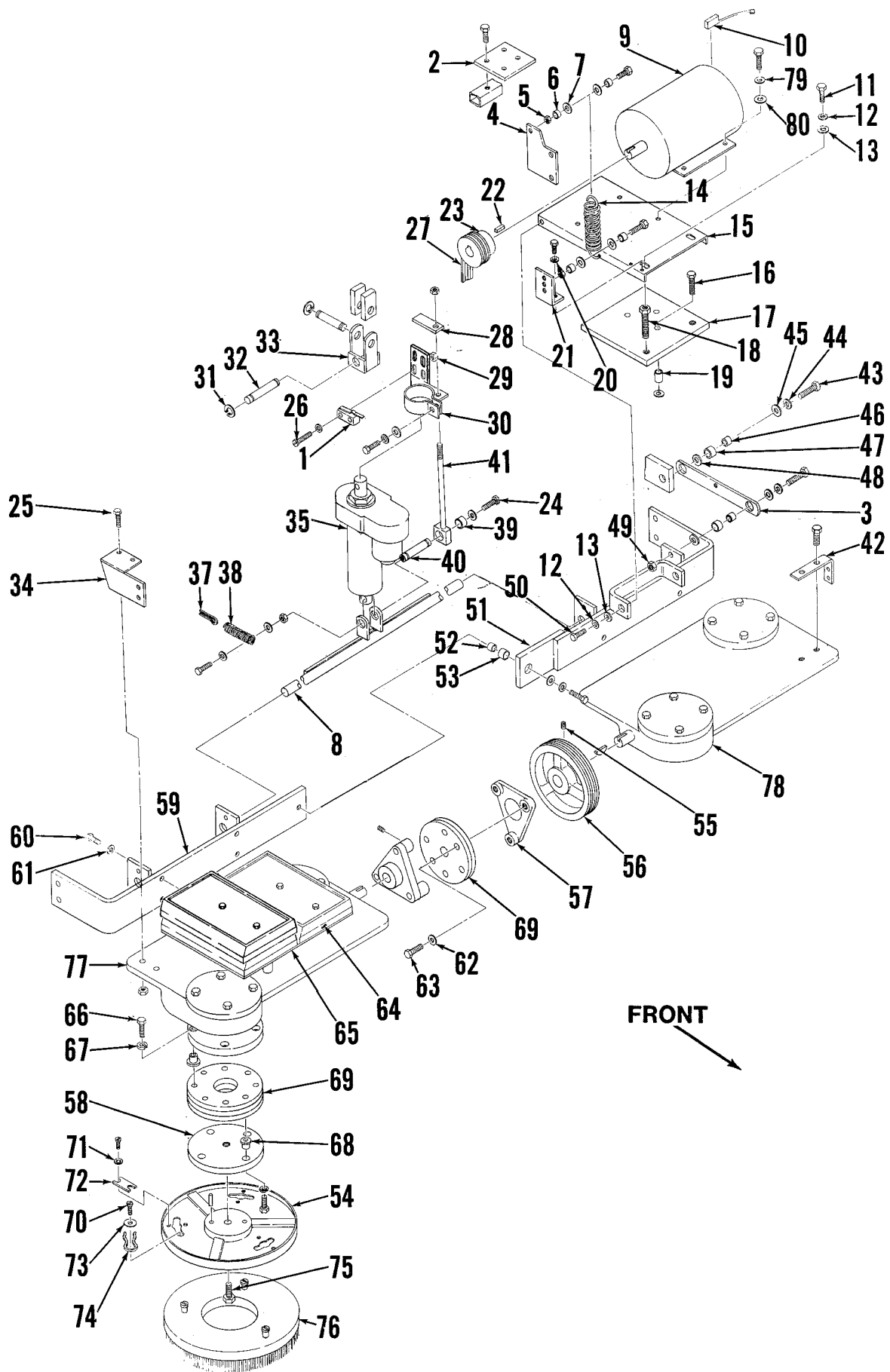


STEERING ASSEMBLY

| Item | Part No. | Qty | Description | Item | Part No. | Qty | Description |
|------|----------|-----|------------------------|------|----------|-----|-----------------------------------|
| 1 | 56454130 | 1 | Chain Guard | 31 | 56900073 | 4 | Bearing Cup |
| 2 | | 3 | #10-24 x 3/4 Screw | 32 | 56448171 | 4 | Bearing Cone |
| 3 | | 9 | #10 Shakeproof Washer | 33 | 56448167 | 4 | Bushing |
| 4 | | 2 | 3/8-16 x 2 Screw | 34 | 56448169 | 2 | Seal |
| 5 | | 8 | 3/8 Washer | 35 | | 2 | 7/8 Washer |
| 6 | 56454118 | 2 | Adjuster Bracket | 37 | 56454106 | 1 | Chain Guard Panel |
| 7 | | 4 | 3/8-16 Nut | 38 | | 2 | 1/4-20 x 1/2 Screw |
| 8 | 56454121 | 2 | Bracket | 39 | 56454103 | 1 | Chain Guard Panel |
| 9 | | 4 | 5/16 Shakeproof Washer | 40 | 56454098 | 1 | Sprocket |
| 10 | | 4 | 5/16-18 x 3/4 Screw | 41 | 56250414 | 3 | Flange Bearing |
| 11 | 56454109 | 2 | Pin | 42 | | 3 | 5/16-18 x 5/16 Screw |
| 12 | | 4 | 1/2 Flat Washer | 43 | 56367095 | 3 | Collar |
| 13 | 56366633 | 4 | Sleeve Bearing | 44 | 56124028 | 2 | Woodruff Key |
| 14 | 56454078 | 2 | Sprocket | 45 | 56454096 | 1 | Shaft |
| 15 | 56101737 | 2 | Grease Fitting | 46 | 56454081 | 1 | U-Joint |
| 16 | 56454100 | 1 | Steering Chain | 47 | 56454093 | 1 | Steering Shaft |
| 17 | 56453526 | 1 | Sprocket | 48 | 56477773 | 1 | Steering Wheel TSB 649, G2 |
| 18 | 56453542 | 1 | Tab | 49 | 56385358 | 1 | Washer |
| 19 | 56445118 | 1 | Offset Link | 50 | | 1 | 3/8 Shakeproof Washer |
| 20 | 56110817 | 3 | Castle Nut | 51 | | 1 | 1/2-20 Nut |
| 21 | | 1 | 7/8 Washer | 52 | 56449774 | 1 | Cap |
| 22 | 56378380 | 1 | Ball Bearing | 53 | | 6 | #10-24 x 1/2 Screw |
| 23 | 56344362 | 1 | Grease Fitting | 54 | | 9 | #10 Shakeproof Washer |
| 24 | 56453530 | 1 | Housing | 55 | 56455556 | 1 | Spacer |
| 25 | 56900074 | 1 | Bearing Cup | 56 | | 1 | 1/4 Lock Washer |
| 26 | 56101370 | 1 | Bearing Cone | 57 | | 1 | 1/4-20 x 5/8 Screw |
| 27 | 56103845 | 1 | Shaft Seal | | | | |
| 28 | 56453536 | 1 | Spindle | | | | |
| 29 | 56101281 | 2 | Washer | | | | |
| 30 | 56453521 | 2 | Wheel W/Bearing | | | | |

BROOM HOUSING ASSEMBLY

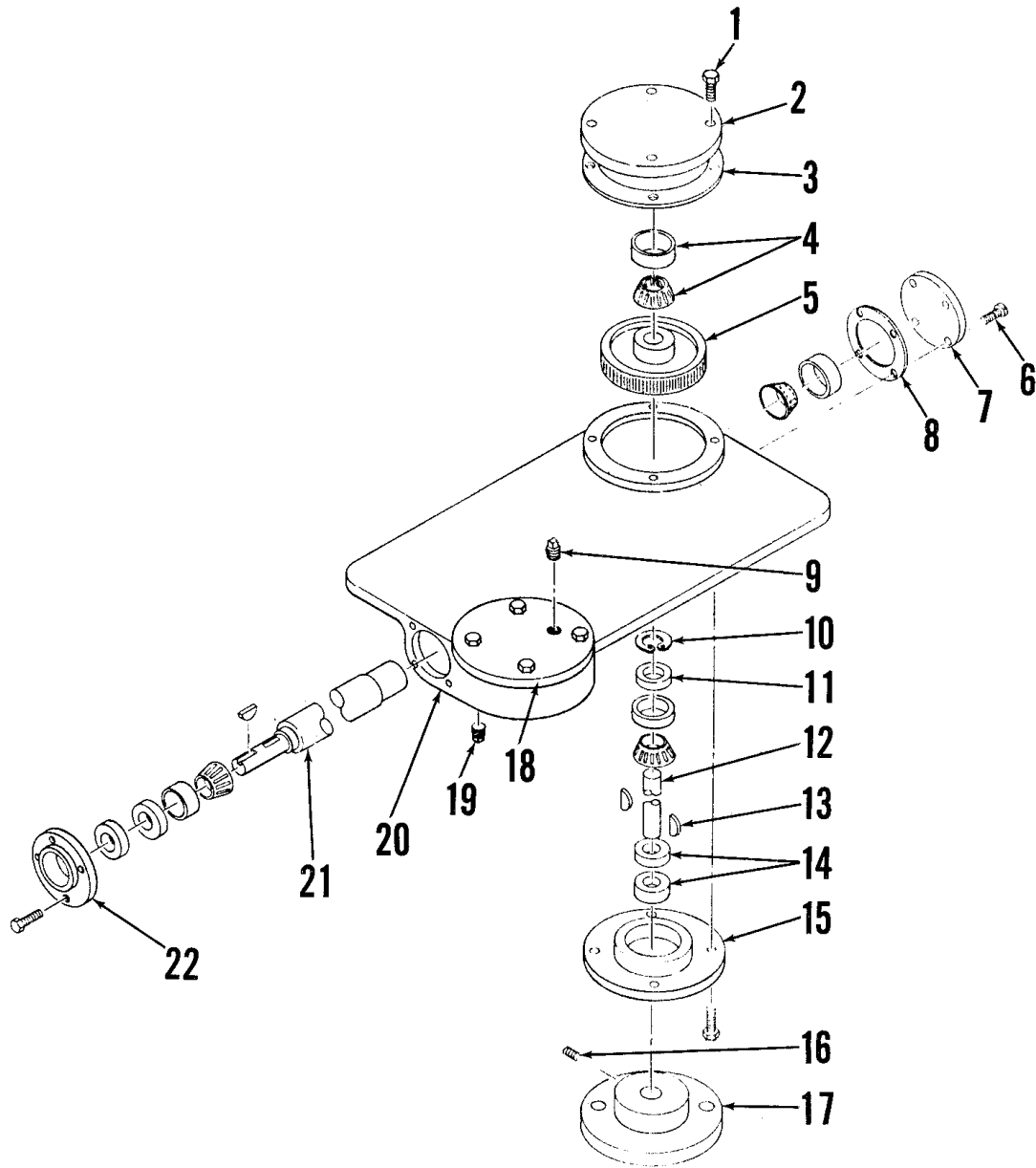
| Item | Part No. | Qty | Description | Item | Part No. | Qty | Description |
|------|----------|-----|------------------------|------|----------|-----|------------------------|
| 1 | 56171225 | 1 | Switch | 48 | 56444820 | 2 | Collar |
| 2 | | 4 | #6 Shakeproof Washer | 49 | | 4 | 5/16-18 Nut |
| 3 | | 2 | #6-32 x 7/8 Screw | 50 | 56444944 | 2 | Flange Bearing |
| 4 | 56454154 | 1 | Switch Bracket | 51 | 56479273 | 2 | Pillow Block |
| 5 | 56454150 | 1 | Cable Assembly | 52 | 56453700 | 1 | Broom Housing Weldment |
| 6 | | 2 | 1/4-20 x 1 Screw | 53 | | 3 | 1/16 x 3/4 Cotter Pin |
| 7 | | 2 | 1/4 Flat Washer | 54 | 56152781 | 3 | Washer |
| 8 | | 3 | 1/4-20 Nut | 55 | | 2 | 5/16 Lock Washer |
| 9 | 56478775 | 1 | Retaining Ring | 56 | | 2 | 5/16-18 x 1/2 Screw |
| 10 | 56454142 | 1 | Bar | 57 | 56350079 | 1 | Linkage Rod |
| 11 | | 13 | 5/16 Flat Washer | 58 | 56453765 | 1 | Arm Assembly |
| 12 | | 10 | 5/16 Shakeproof Washer | 59 | 56453759 | 1 | Arm |
| 13 | | 2 | 5/16-18 x 3/4 Screw | 60 | 56479430 | 2 | Ball Bearing |
| 14 | 56364527 | 1 | Knob | 61 | 56453767 | 1 | Drive Hub |
| 15 | 56454133 | 1 | Handle | 62 | 56453763 | 1 | Spacer |
| 16 | 56320595 | 2 | Bushing | 63 | | 1 | 3/4 Flat Washer |
| 17 | | 10 | #10 Flat Washer | 64 | | 1 | 3/4 Star Washer |
| 18 | | 10 | #10 Shakeproof Washer | 65 | | 1 | 3/4-10 Nut |
| 19 | | 2 | #10-24 x 1/2 Screw | 66 | 56453770 | 1 | Rod |
| 20 | | 2 | 3/8-16 x 2 1/2 Screw | 67 | 56505617 | 1 | Broom |
| 21 | | 3 | 3/8 Flat Washer | 68 | 56453575 | 1 | Hopper |
| 22 | 56453780 | 1 | Mount | 69 | 56209485 | 8 | #10-24 x 1/2 Screw |
| 23 | | 6 | 5/16-18 x 1 Screw | 70 | 56453718 | 1 | Strap |
| 24 | | 3 | 3/8-16 Nut | 71 | 56453619 | 1 | Front Skirt |
| 25 | 56453779 | 1 | Motor Mount | 72 | 56453723 | 1 | Angle |
| 26 | 56468382 | 1 | Carbon Brush Set | 73 | | 2 | 1/4-20 x 3/8 Screw |
| | 56454492 | 1 | Brush Spring Set | 74 | 56453760 | 1 | Arm Assembly |
| 27 | 56454457 | 1 | Motor | 75 | | 1 | 3/4-10 Nut |
| 28 | | 4 | 5/16-18 x 5/16 Screw | 76 | | 1 | 3/4 Star Washer |
| 29 | 56453772 | 1 | Sheave | 77 | | 1 | 3/4 Flat Washer |
| 30 | 56367958 | 1 | Square Key | 78 | 56479430 | 2 | Ball Bearing |
| 31 | 56453615 | 1 | Poly-V Belt | 79 | 56470728 | 1 | Bushing |
| 32 | | 1 | #10-24 Nut | 80 | 56470636 | 1 | Idler Lug |
| 33 | 56454152 | 1 | Turnbuckle | 81 | 56453750 | 1 | Idler Arm |
| 34 | 56453722 | 1 | Idler Assembly | 82 | 56453771 | 1 | 3/8-16 Lock Nut |
| 35 | | 1 | 1/4-20 x 1/2 Screw | 83 | | 1 | 3/8-16 x 1 Screw |
| 36 | | 1 | 1/4 Lock Washer | 84 | 56453742 | 1 | Lever |
| 37 | 56152781 | 1 | Washer | 85 | 56472091 | 1 | Gasket |
| 38 | 56456326 | 1 | Retaining Ring | | | | |
| 39 | 56372773 | 1 | Ball Bearing | | | | |
| 40 | 56171216 | 1 | Pulley | | | | |
| 41 | 56453721 | 1 | Lever | | | | |
| 42 | 56200972 | 1 | Sleeve Bearing | | | | |
| 43 | | A/R | 3/8 Flat Washer | | | | |
| 44 | 56448112 | 1 | Extension Spring | | | | |
| 45 | 56321427 | 1 | Retaining Ring | | | | |
| 46 | | 5 | 3/16 Spring Pin | | | | |
| 47 | 56453730 | 1 | Lever | | | | |



BRUSH DRIVE ASSEMBLY

| Item | Part No. | Qty | Description | Item | Part No. | Qty | Description |
|------|----------|-----|--------------------------------------|------|----------|-----|--|
| 1 | 56388019 | 3 | Switch | 48 | 56367214 | 16 | Washer |
| 2 | 56454441 | 1 | Terminal Block | 49 | 56441236 | 16 | Lock Nut |
| 3 | 56453909 | 8 | Parallel Bar | 50 | | 2 | 5/16-18 X 3/4 Screw |
| 4 | 56453920 | 1 | Spring Mounting Bracket | 51 | 56458866 | 1 | Left Gear Case Bracket |
| 5 | | 5 | 1/4-20 Nut | 52 | 56360627 | 1 | Bushing |
| 6 | 56321532 | 4 | Bushing | 53 | 56370878 | 1 | Bearing |
| 7 | 56454626 | 4 | Washer | 54 | 56363189 | 4 | Casting Holder |
| 8 | 56453912 | 1 | Bar | 55 | | 14 | 5/16-18 X 5/16 Set Screw |
| 9 | 56454454 | 1 | Motor | 56 | 56453891 | 1 | Sheave |
| 10 | 56448729 | 1 | Carbon Brush Set | 57 | 56453894 | 2 | Universal |
| 11 | | 2 | 5/16-18 X 1/2 Screw | 58 | 56448263 | 1 | Lower Coupler |
| 12 | | 6 | 5/16 Shakeproof Washer | 59 | 56458868 | 1 | Right Gear Case Bracket |
| 13 | | 6 | 5/16 Flat Washer | 60 | | 8 | 3/8-16 X 1 Screw |
| 14 | 56381993 | 1 | Spring | 61 | | 8 | 3/8 Shakeproof Washer |
| 15 | 56378666 | 1 | Motor Mount | 62 | | 12 | 3/8 Flat Washer |
| 16 | | 3 | 1/4-20 X 1-1/4 Screw | 63 | | 6 | 3/8-16 X 1-1/4 Screw |
| 17 | 56453903 | 1 | Plate | 64 | 56453907 | 3 | Weight |
| 18 | 56378631 | 2 | Stud | 65 | 56453916 | 1 | Weight Bracket |
| 19 | 56366862 | 3 | Bushing | 66 | 56448271 | 24 | 3/8-16 X 2 Screw |
| 20 | | 2 | 1/4 Lock Washer | 67 | | 24 | 3/8 Lock Washer |
| 21 | 56453922 | 1 | Spring Bracket | 68 | 56448268 | 24 | Bushing |
| 22 | 56443719 | 1 | Key | 69 | 56104647 | 14 | Disc |
| 23 | 56453888 | 1 | Sheave | 70 | | 12 | #10-24 X 3/8 Screw |
| 24 | | 16 | 1/4-20 X 1/2 Screw | 71 | | 12 | #10 Shakeproof Washer |
| 25 | | 5 | 1/4-20 X 1-1/2 Screw | 72 | 56366455 | 4 | Plate |
| 26 | | 6 | #6-32 X 1 Screw | 73 | 56151114 | 4 | Washer |
| 27 | 56378852 | 1 | Poly-V Belt | 74 | 56366463 | 4 | Spring Retainer |
| 28 | 56453996 | 1 | Bar TSB517, G-13 | 75 | | 4 | 5/8-16 X 1-1/2 Screw |
| 29 | | 6 | 16-32 Nut | 76 | 56505761 | 4 | Magna-Grit 46 Brush |
| 30 | 56452187 | 1 | Actuator Bracket TSB517, G-13 | ** | 56505762 | 4 | Dyna-Grit 80 Brush |
| 31 | 56468834 | 6 | Retaining Ring | ** | 56505763 | 4 | Aglite-Grit 500 Brush |
| 32 | 56468684 | 2 | Pin | ** | 56505764 | 4 | Prolene Brush |
| 33 | 56454178 | 1 | Yoke | ** | 56505765 | 4 | Prolite Brush |
| 34 | 56458860 | 1 | Plate | ** | 56505766 | 4 | Union Mix Brush |
| 35 | 56452185 | 1 | Actuator | ** | 56505767 | 4 | MidGrit 240 Brush |
| 37 | | 1 | 3/16 X 1-1/2 Cotter Pin | ** | 56505768 | 4 | MidLite 180 Brush |
| 38 | 56370355 | 1 | Extension Spring | ** | 56505760 | 4 | Pad Holder |
| 39 | 56368989 | 4 | Bushing | 77 | 56453850 | 1 | Right Gear Case Assembly TSB611, G-4 |
| 40 | 56453998 | 1 | Pin | | | | |
| 41 | 56452164 | 1 | Shaft Weldment TSB517, G-13 | 78 | 56453855 | 1 | Left Gear Case Assembly TSB560, G-12 / TSB611, G-4 |
| 42 | 56458854 | 1 | Strap | | | | |
| 43 | | 17 | 1/2-13 X 1-1/2 Screw | 79 | | 11 | 1/4 Shakeproof Washer |
| 44 | | 17 | 1/2 Shakeproof Washer | 80 | | 9 | 1/4 Flat Washer |
| 45 | 56367192 | 17 | 1/2 Flat Washer | | | | |
| 46 | 56367206 | 16 | Bushing | | | | |
| 47 | 56367168 | 16 | Bearing | | | | |

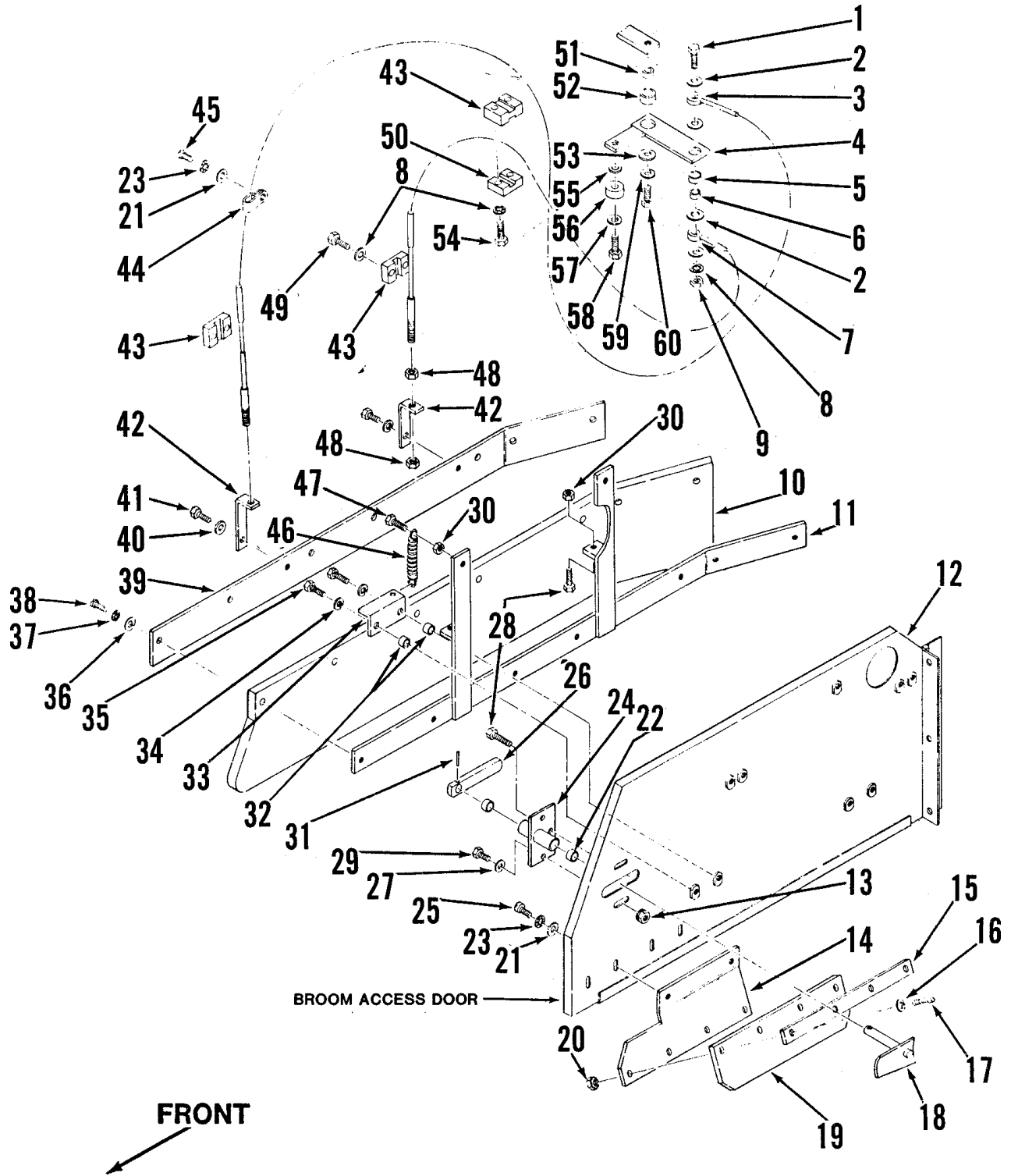
** Optional Accessory, Not Included



FRONT
↘

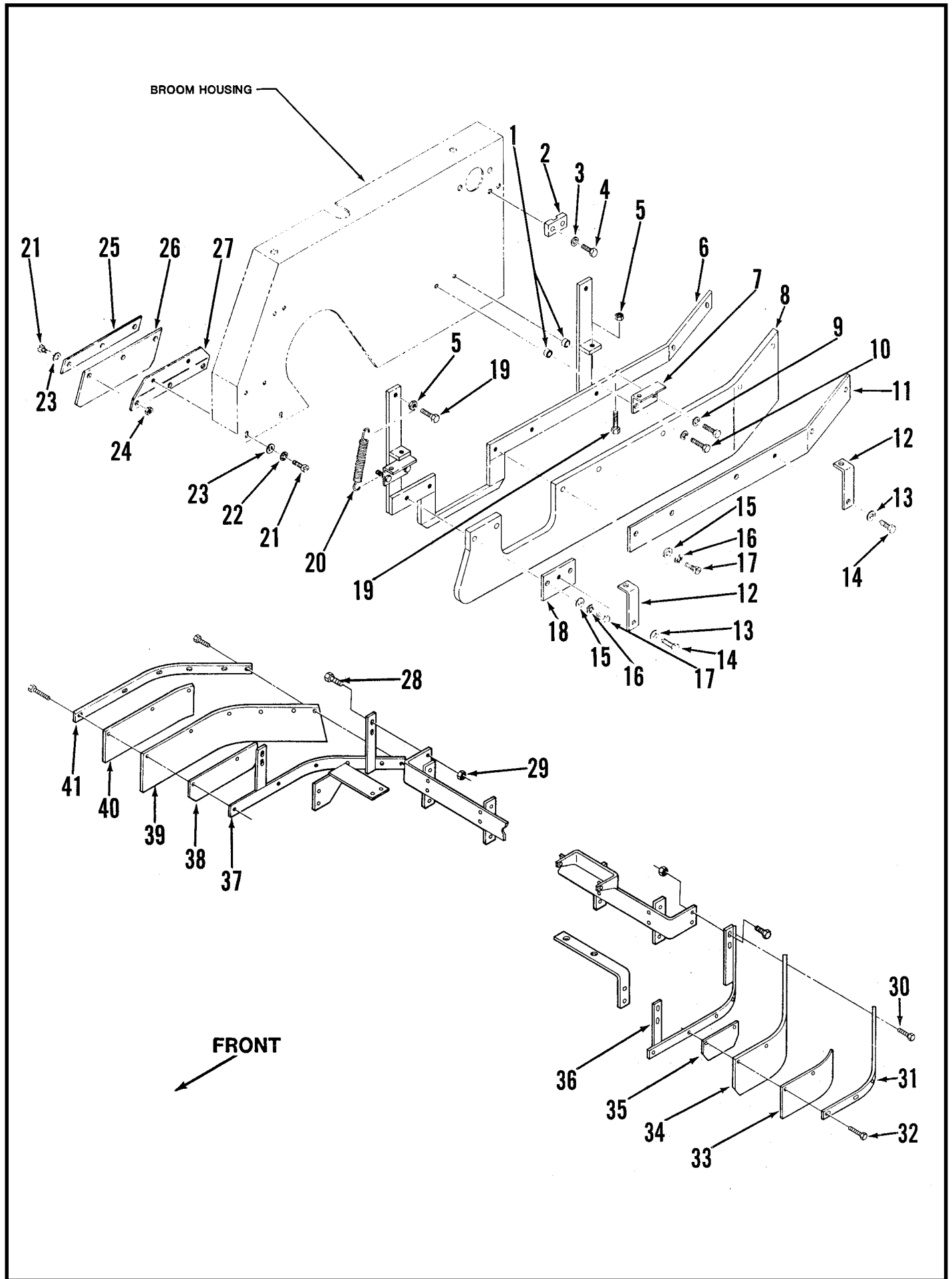
GEAR CASE ASSEMBLY

| Item | Part No. | Qty | Description |
|------|----------|-----|------------------------------------|
| 1 | 56366285 | 20 | 1/4-20 x 3/4 Screw |
| 2 | 56366161 | 1 | Top Cap |
| 3 | 56366684 | A/R | Shim .002 Red |
| | 56366692 | A/R | Shim .005 Blue |
| | 56366706 | A/R | Shim .015 Pink |
| | 56366323 | 6 | Bearing Assembly |
| | 56366226 | 2 | Worm Gear |
| | | 4 | 1/4-20 x 1/2 Screw |
| | 56550920 | 1 | Gear Case Cap |
| | 56366714 | A/R | Shim .002 Red |
| | 56366722 | A/R | Shim .005 Blue |
| | 56366730 | A/R | Shim .015 Pink |
| 9 | 56366269 | 1 | Vent Plug |
| 10 | 56366358 | 2 | Retaining Ring |
| 11 | 56366315 | 2 | Spacer |
| 12 | 56366307 | 2 | Worm Gear Shaft TSB611, G-4 |
| 13 | 56366366 | 4 | Woodruff Key |
| 14 | 56366331 | 6 | Grease Seal |
| 15 | 56366218 | 2 | Bottom Cap |
| 16 | | 2 | 3/8-16 x 1/2 Set Screw |
| 17 | 56453861 | 2 | Coupler |
| 18 | 56366188 | 1 | Top Cap |
| 19 | 56366277 | 2 | 1/4 Pipe Plug |
| 20 | 56550906 | 1 | Gear Case |
| 21 | 56453858 | 1 | Double Worm Shaft |
| 22 | 56366129 | 1 | Gear Case Cap |



SKIRTS - 1

| Item | Part No. | Qty | Description | Item | Part No. | Qty | Description |
|------|----------|-----|---|------|----------|-----|----------------------------------|
| 1 | | 2 | 1/4-20 x 1-1/2 Screw | 31 | | 1 | 1/8 x 3/4 Pin |
| 2 | | 10 | 1/4 Flat Washer | 32 | 56453691 | 4 | Spacer |
| 3 | 56453845 | 2 | Cable Assembly | 33 | 56453687 | 2 | Strap |
| 4 | 56453703 | 2 | Lever | 34 | | 6 | 1/4 Lock Washer |
| 5 | 56368970 | 2 | Bearing | 35 | | 4 | 1/4-20 x 3/4 Screw |
| 6 | 56453849 | 2 | Bushing | 36 | | 18 | #10 Flat Washer |
| 7 | 56468460 | 2 | Cable Assembly | 37 | | 11 | #10 Star Washer |
| 8 | | 14 | 1/4 Star Washer | 38 | | 7 | #10-24 x 7/8 Screw |
| 9 | | 2 | 1/4-20 Jam Nut | 39 | 56458904 | 1 | Strap |
| 10 | 56458908 | 1 | Side Skirt * (See "Skirt Kit" Next Page) | 40 | | 6 | 1/4 Lock Washer |
| 11 | 56458906 | 1 | Strap Weldment | 41 | | 2 | 1/4-20 x 3/8 Screw |
| 12 | 56453676 | 1 | Broom Access Door | 42 | 56453831 | 2 | Linkage |
| 13 | | 2 | 1/4-20 Whiz Nut | 43 | 56453843 | 4 | Cable Clamp |
| 14 | 56453854 | 1 | Plate | 44 | 56300152 | 2 | Clamp |
| 15 | 56453862 | 1 | Strap | 45 | | 2 | #10-24 x 3/8 Screw |
| 16 | | 18 | #10 Flat Washer | 46 | 56370746 | 2 | Extension Spring |
| 17 | 56209485 | 14 | #10-24 x 1/2 Screw | 47 | | 2 | 1/4-20 x 1 Screw |
| 18 | 56453690 | 1 | Latch | 48 | | 8 | 5/16-18 Nut |
| 19 | 56453865 | 1 | Skirt | 49 | | 8 | 1/4-20 x 7/8 Screw |
| 20 | | 7 | #10-24 Whiz Nut | 50 | 56477884 | 4 | Cable Clamp |
| 21 | | 18 | #10 Flat Washer | 51 | 56365030 | 2 | Bushing |
| 22 | 56491658 | 2 | Sleeve Bearing | 52 | 56478781 | 2 | Sleeve Bearing |
| 23 | | 11 | #10 Star Washer | 53 | 56367214 | 2 | Washer |
| 24 | 56453680 | 1 | Bracket | 54 | | 4 | 1/4-20 x 1-3/4 Screw |
| 25 | 56209485 | 14 | #10-24 x 1/2 Screw | 55 | | 4 | 5/16 Flat Washer |
| 26 | 56479371 | 1 | Handle | 56 | 56228051 | 2 | Ball Bearing TSB 630, G-3 |
| 27 | | 2 | 1/4 Flat Washer | 57 | | 2 | 5/16 Lock Washer |
| 28 | | 3 | 1/4-20 x 1 Screw | 58 | | 2 | 5/16-18 x 3/4 Screw |
| 29 | | 2 | 1/4-20 x 1/2 Screw | 59 | | 2 | 1/2 Lock Washer |
| 30 | | 4 | 1/4-20 Nut | 60 | | 2 | 1/2-13 x 3/4 Screw |



SKIRTS - 2

| Item | Part No. | Qty | Description |
|------|----------|-----|-----------------------|
| 1 | 56453691 | 4 | Spacer |
| 2 | 56453843 | 4 | Cable Clamp |
| 3 | | 14 | 1/4 Star Washer |
| 4 | | 8 | 1/4-20 x 7/8 Screw |
| 5 | | 4 | 1/4-20 Jam Nut |
| 6 | 56458888 | 1 | Strap |
| 7 | 56453687 | 2 | Strap |
| 8 | 56458896 | 1 | Side Skirt |
| 9 | | 4 | 1/4 Lock Washer |
| 10 | | 4 | 1/4-20 x 5/8 Screw |
| 11 | 56458900 | 1 | Strap |
| 12 | 56453831 | 2 | Linkage |
| 13 | | 2 | 1/4 Lock Washer |
| 14 | | 2 | 1/4-20 x 1/4 Screw |
| 15 | | 8 | #10 Flat Washer |
| 16 | | 8 | #10 Star Washer |
| 17 | 56209487 | 8 | #10-24 x 7/8 Screw |
| 18 | 56458898 | 1 | Strap |
| 19 | | 4 | 1/4-20 x 1 Screw |
| 20 | 56370746 | 1 | Extension Spring |
| 21 | 56209485 | 14 | #10-24 x 1/2 Screw |
| 22 | | 11 | #10 Star Washer |
| 23 | | 18 | #10 Flat Washer |
| 24 | | 7 | #10-24 Whiz Nut |
| 25 | 56453859 | 1 | Strap |
| 26 | 56453868 | 1 | Skirt |
| 27 | 56453852 | 1 | Plate |
| 28 | | 4 | 1/4-20 x 1/2 Screw |
| 29 | | 4 | 1/4-20 Nut |
| 30 | | 3 | 1/4-20 x 1 HP-5 Screw |
| 31 | 56458874 | 1 | Strap |
| 32 | | 3 | 1/4-20 x 1-1/4 Screw |
| 33 | 56458930 | 1 | Back Up Skirt * |
| 34 | 56458928 | 1 | Side Skirt * |
| 35 | 56458934 | 1 | Plate |
| 36 | 56458852 | 1 | Left Mount Weldment |
| 37 | 56458850 | 1 | Right Mount Weldment |
| 38 | 56458936 | 1 | Plate |
| 39 | 56458840 | 1 | Front Skirt * |
| 40 | 56458932 | 1 | Back Up Blade * |
| 41 | 56458844 | 1 | Strap |

* Front Skirt Kits Include #33,34,39,40

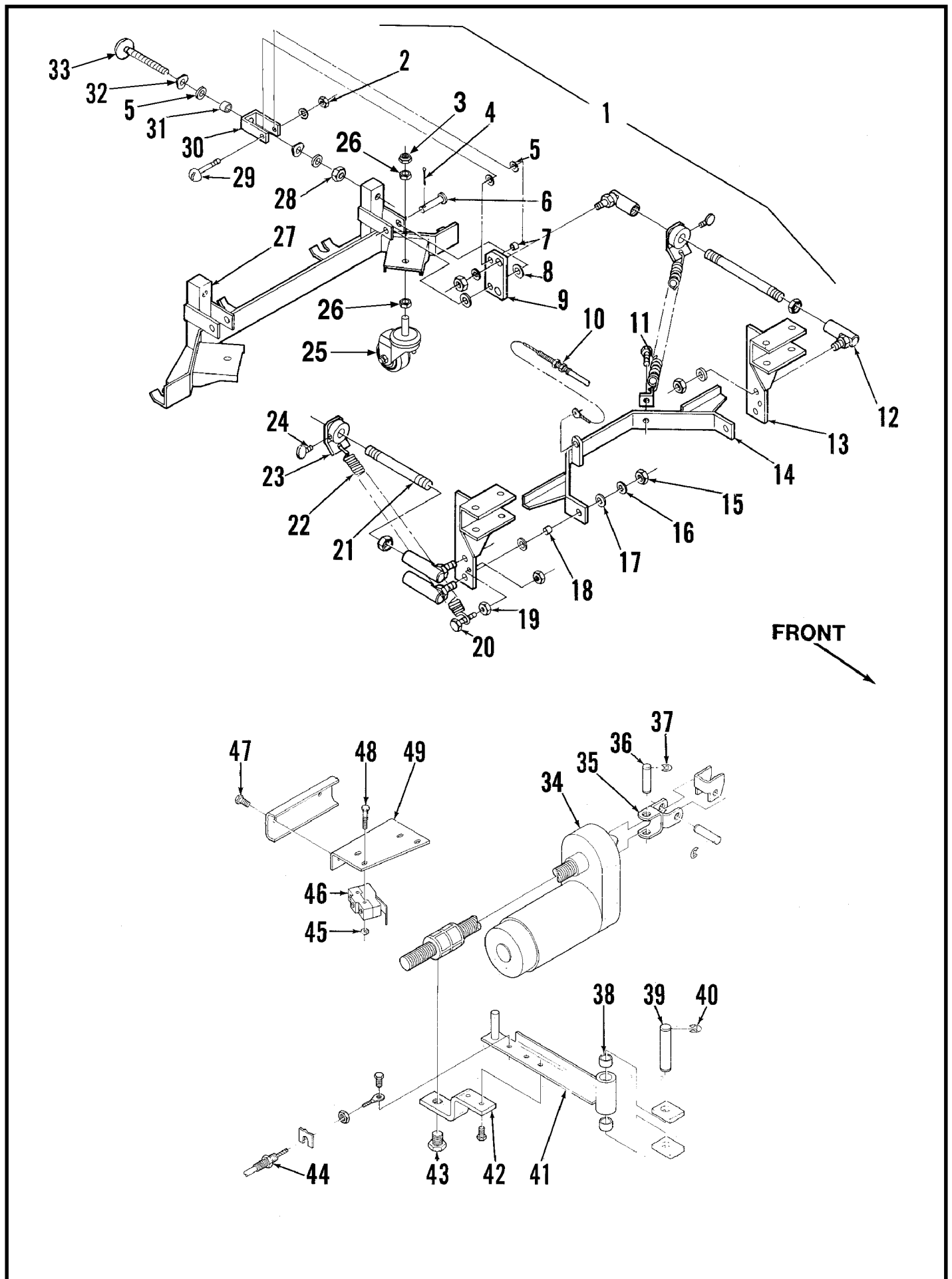
Standard (Gum Rubber) Skirt Kit - P.N. 56458918

Oil Resistant (Urethane) Skirt Kit - P.N. 56458920

** Side Skirt Kits Include #10 (Skirts - 1), #8 (Skirts - 2)

Standard (Gum Rubber) Skirt Kit - P.N. 56458922

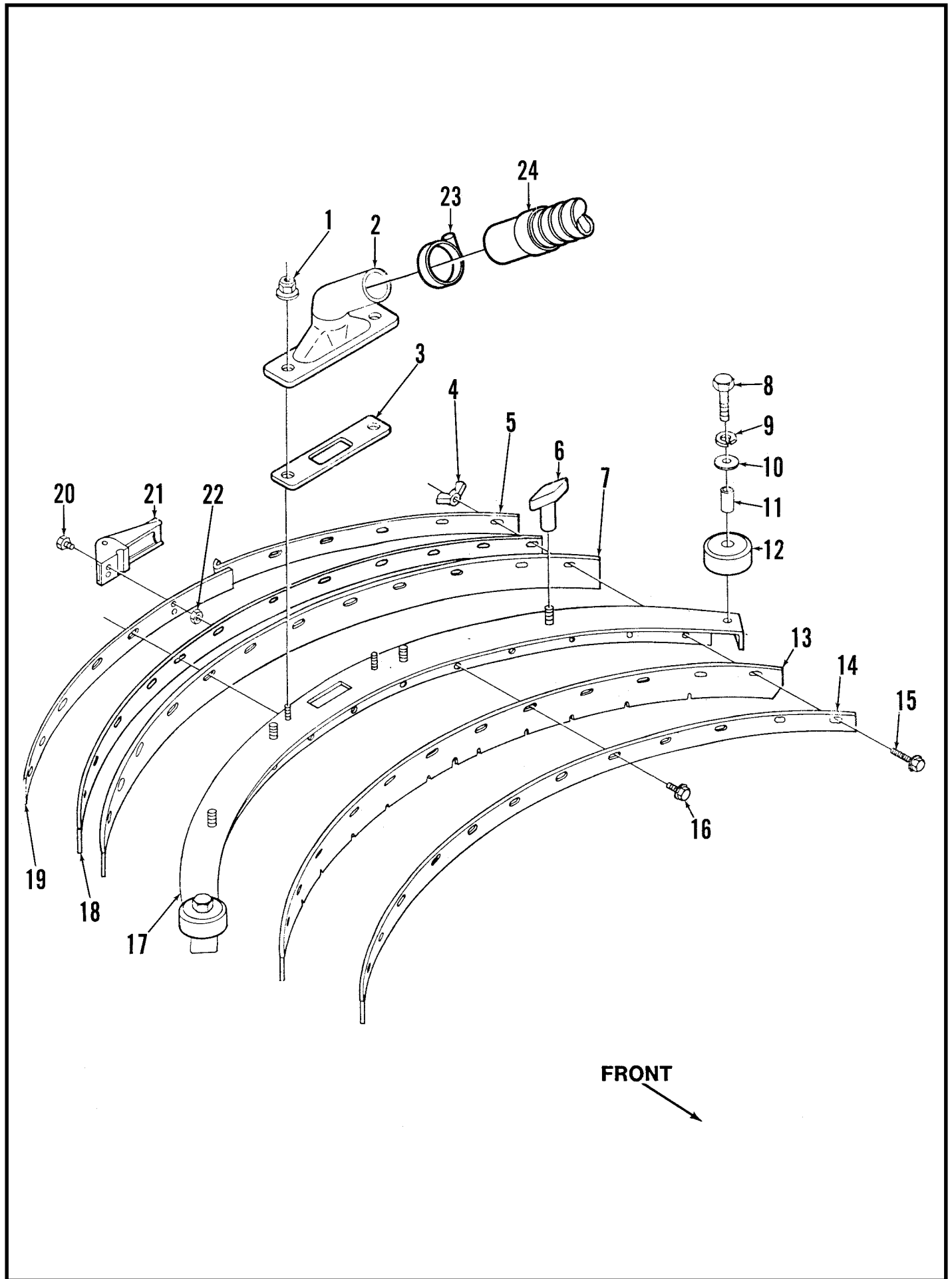
Oil Resistant (Urethane) Skirt Kit - P.N. 56458924



SQUEEGEE MOUNT AND LIFT ASSEMBLY

| Item | Part No. | Qty | Description | Item | Part No. | Qty | Description |
|------|----------|-----|--|------|----------|-----|-------------------------------|
| 1 | 56458884 | 1 | Mount Assembly | 27 | 56458836 | 1 | Mount Weldment |
| 2 | | 2 | 1/4-20 Nut | 28 | | 4 | 1/4-20 Nut |
| 3 | 56002843 | 2 | Nut Hex Nyl Loc-Thin 1/2-13 (See Note #1) | 29 | | 2 | 1/4-20 x 1-1/2 Screw |
| 4 | | 2 | 1/8 x 1 Cotter Pin | 30 | 56454285 | 2 | Yoke |
| 5 | | 12 | 1/4 Flat Washer | 31 | 56206784 | 2 | Bushing |
| 6 | 56487989 | 2 | Clevis Pin | 32 | 56163880 | 4 | Spring Washer |
| 7 | 56366862 | 2 | Bushing | 33 | | 2 | 1/4-20 x 2 Screw |
| 8 | 56150142 | 4 | Washer | 34 | 56452129 | 1 | Actuator TSB 540 G-9 |
| 9 | 56454288 | 2 | Plate | * | 56388517 | 1 | Carbon Brush Kit (for 452129) |
| 10 | 56457820 | 1 | Cable Assembly | * | 56470431 | 1 | Carbon Brush Kit (for 391627) |
| 11 | 56358560 | 1 | Extension Spring | 35 | 56377170 | 1 | Yoke Weldment |
| 12 | 56477813 | 8 | Ball Joint | 36 | 56388672 | 2 | Pin |
| 13 | 56454323 | 2 | Bar Weldment | 37 | | 4 | Retaining Ring |
| 14 | 56458818 | 1 | Lifter Weldment | 38 | 56491660 | 2 | Sleeve Bearing |
| 15 | | 8 | 1/2-20 Jam Nut | 39 | 56457856 | 1 | Pin |
| 16 | | 8 | 1/2 Shakeproof Washer | 40 | 56468834 | 2 | Retaining Ring |
| 17 | 56367214 | 4 | Washer | 41 | 56452134 | 1 | Arm Weldment |
| 18 | 56491656 | 2 | Sleeve Bearing | 42 | 56452128 | 1 | Bracket |
| 19 | | 2 | 1/4-20 Jam Nut | 43 | | 1 | 1/2-13 x 1/2 Screw |
| 20 | | 2 | 1/4-20 x 1 Screw | 44 | 56457820 | 1 | Cable Assembly |
| 21 | 56454273 | 4 | Rod | 45 | | 4 | #6-32 Nut |
| 22 | 56448112 | 2 | Extension Spring | 46 | 56455112 | 2 | Switch |
| 23 | 56454276 | 2 | Collar Weldment | 47 | | 5 | 1/4-20 x 3/8 HP-5 Screw |
| 24 | 56754374 | 2 | Thumb Screw | 48 | | 4 | #6-32 x 7/8 Screw |
| 25 | 56407344 | 2 | Caster (See Note #1) | 49 | 56452135 | 1 | Mount |
| 26 | 56009016 | 4 | Nut, Hex Jam 1/2-13 (See Note #1) | | | | |

Note #1: The original caster had a threaded shaft of 3/8", this caster (56407344) has a 1/2" diameter shaft. When replacing a caster you will need to order 1/2" nuts (**3 & 26**). The holes in (**27**) Mount Weldment will have to be drilled out to a diameter of 1/2" to accommodate the new casters. Replace both casters together if replacing a caster with a 3/8" shaft.



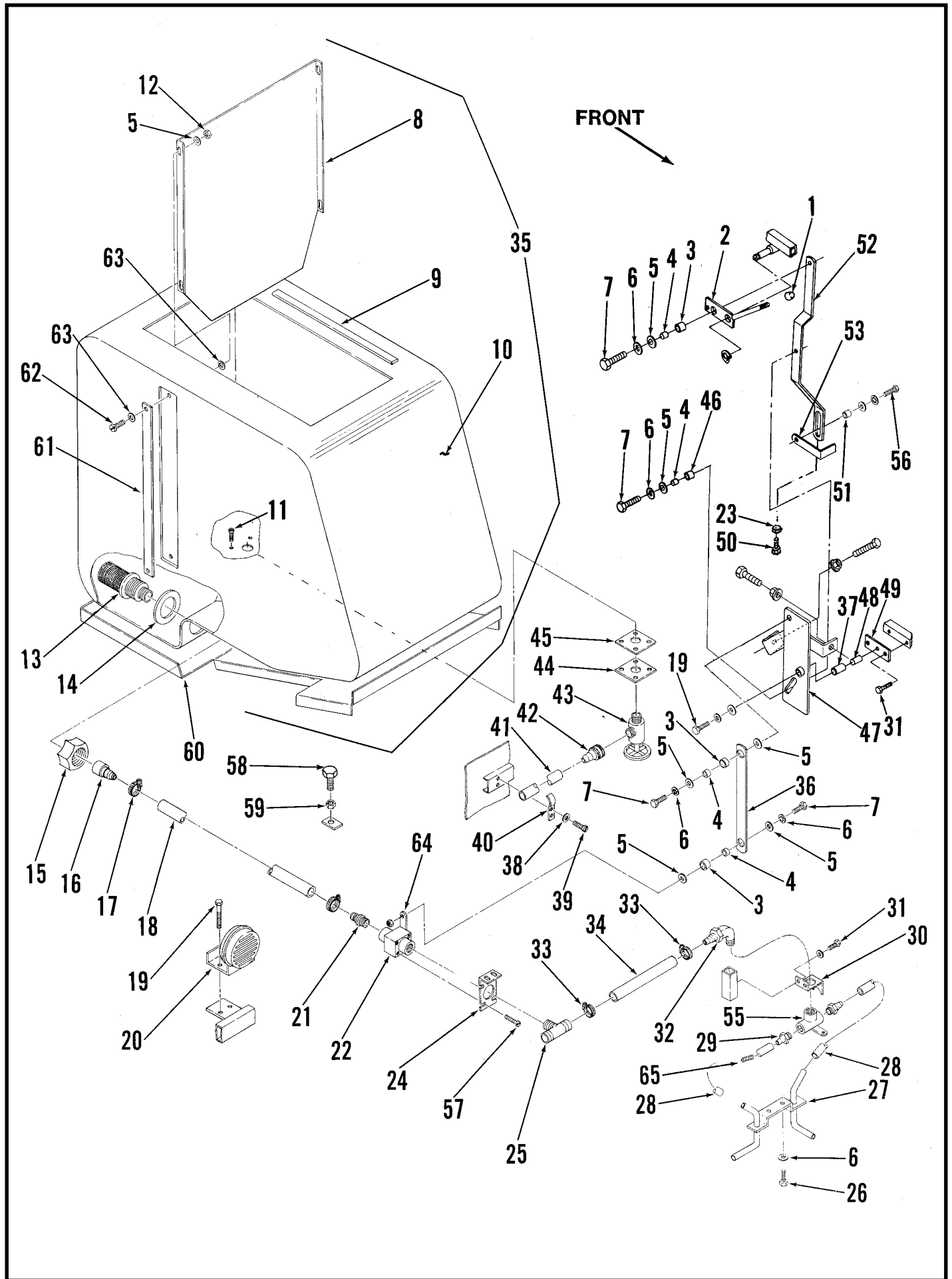
SQUEEGEE ASSEMBLY

| Item | Part No. | Qty | Description |
|------|----------|-----|---------------------------|
| 1 | | 2 | 1/4-20 Whiz Nut |
| 2 | 56454223 | 1 | Adapter Assembly |
| 3 | 56454224 | 1 | Gasket |
| 4 | 56201677 | 2 | Wing Nut |
| 5 | 56458814 | 1 | Strap |
| 6 | 56370711 | 4 | Thumb Screw |
| 7 | 56454209 | 1 | Blade * |
| 8 | | 2 | 5/16-18 x 2 Screw |
| 9 | | 2 | 5/16 Lock Washer |
| 10 | | 2 | 5/16 Flat Washer |
| 11 | 56454249 | 2 | Bushing |
| 12 | 56386127 | 2 | Wheel |
| 13 | 56455608 | 1 | Blade * |
| 14 | 56458810 | 1 | Strap |
| 15 | | 2 | 1/4-20 x 1-1/2 HP-5 Screw |
| 16 | | 11 | 1/4-20 x 1/2 HP-5 Screw |
| 17 | 56458808 | 1 | Tool Weldment |
| 18 | 56454215 | 1 | Back Up Skirt * |
| 19 | 56458812 | 1 | Strap |
| 20 | | 2 | 1/4-20 x 1/2 Screw |
| 21 | 56471194 | 1 | Latch Assembly |
| 22 | | 2 | 1/4-20 Keps Nut |
| 23 | 56440213 | 1 | Hose Clamp |
| 24 | 56454782 | 1 | Squeegee Hose |

* Squeegee Blade Kits Include #7,13,18

Standard (Gum Rubber) Blade Kit - P.N. 56458914

Oil Resistant (Urethane) Blade Kit - P.N. 56458916

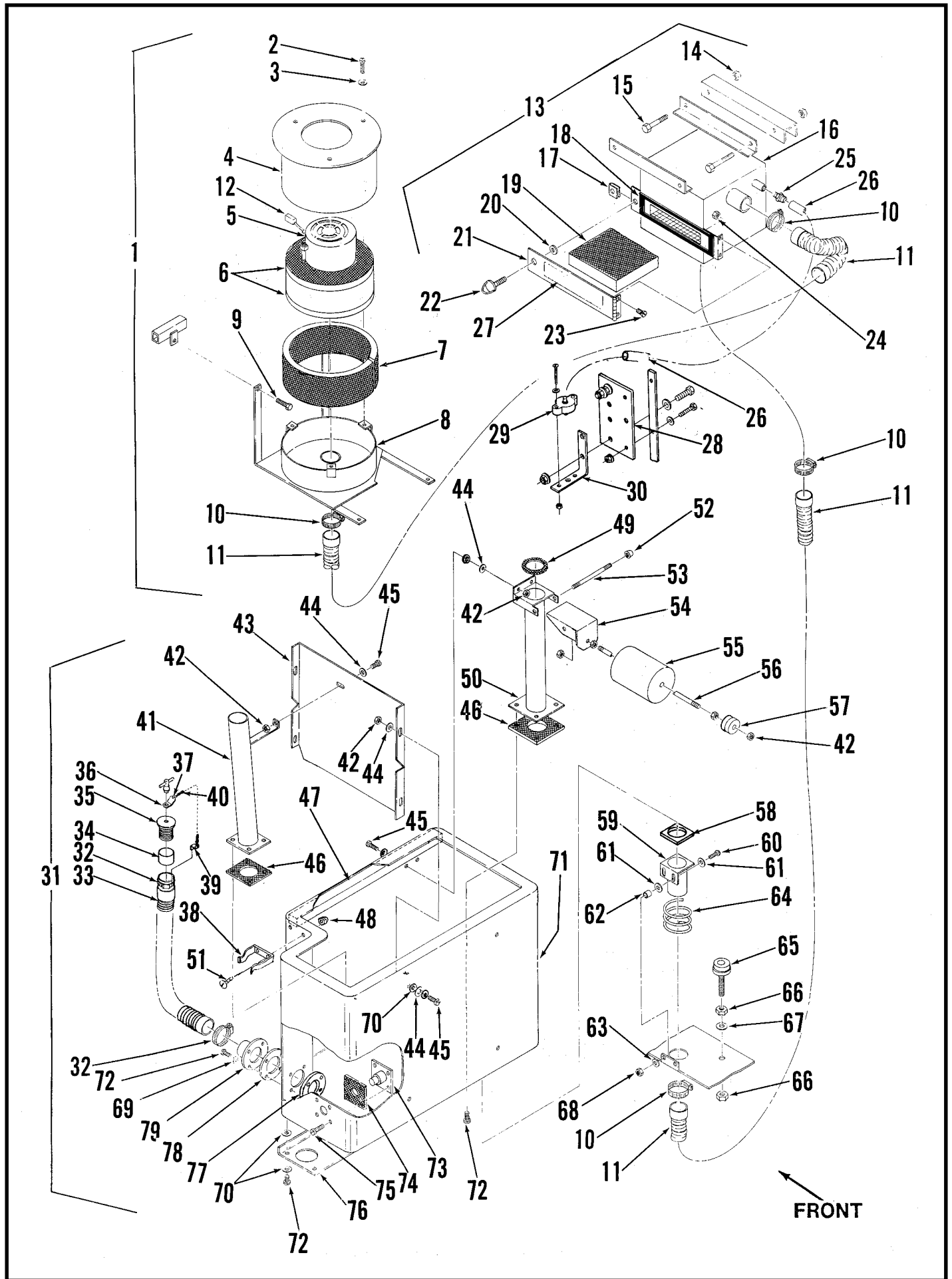


SOLUTION TANK AND VALVES

| Item | Part No. | Qty | Description | Item | Part No. | Qty | Description |
|------|----------|-----|------------------------|------|----------|-----|----------------------|
| 1 | 56364527 | 1 | Knob | 54 | 56321427 | 1 | Retaining Ring |
| 2 | 56454157 | 1 | Lever | 55 | 56454612 | 2 | Flow Control Valve |
| 3 | 56368970 | 3 | Bearing | 56 | | 1 | 1/4-20 x 3/4 Screw |
| 4 | 56368989 | 4 | Bushing | 57 | | 4 | 1/4-20 x 1-1/4 Screw |
| 5 | | 8 | 1/4 Flat Washer | 58 | 56401783 | 2 | Adjusting Pad |
| 6 | | 12 | 1/4 Shakeproof Washer | 59 | | 2 | 1/2-13 Jam Nut |
| 7 | | 4 | 1/4-20 x 1 Screw | 60 | 56454646 | 1 | Boot Panel |
| 8 | 56454624 | 1 | Baffle | 61 | 56454628 | 2 | Plate |
| 9 | 56454604 | 1 | Gasket | 62 | 56576520 | 4 | 1/4-20 x 7/8 Screw |
| 10 | 56454603 | 1 | Solution Tank | 63 | 56900737 | 8 | Sealing Washer |
| 11 | | 4 | 1/4-20 x 5/8 Screw | 64 | 56454280 | 1 | Valve Handle |
| 12 | | 4 | 1/4-20 Brass Nut | 65 | 56373792 | 4 | Spring |
| 13 | 56449868 | 1 | Screen Assembly | | | | |
| 14 | 56449870 | 1 | Fiber Washer | | | | |
| 15 | | 1 | 1/2-13 Nut | | | | |
| 16 | 56454167 | 1 | Barb | | | | |
| 17 | 56131601 | 2 | Hose Clamp | | | | |
| 18 | 56760018 | 1 | Tube | | | | |
| 19 | | 2 | 1/4-20 x 1 Screw | | | | |
| 20 | 56482365 | 1 | Horn | | | | |
| 21 | 56454168 | 1 | Barb | | | | |
| 22 | 56456617 | 1 | Valve | | | | |
| 23 | | 2 | 1/4-20 Nut | | | | |
| 24 | 56454357 | 1 | Bracket | | | | |
| 25 | 56454609 | 1 | Tee | | | | |
| 26 | | 4 | 1/4-20 x 5/8 Screw | | | | |
| 27 | 56453924 | 2 | Pipe Weldment | | | | |
| 28 | 56379107 | 4 | Tube | | | | |
| 29 | 56749202 | 4 | Barb | | | | |
| 30 | 56453936 | 2 | Bracket | | | | |
| 31 | | 4 | 1/4-20 x 1/2 Screw | | | | |
| 32 | 56244985 | 2 | Barb | | | | |
| 33 | 56112771 | 6 | Hose Clamp | | | | |
| 34 | 56449850 | 2 | Tube | | | | |
| 35 | 56454600 | 1 | Solution Tank Assembly | | | | |
| 36 | 56454159 | 1 | Bar | | | | |
| 37 | 56200972 | 1 | Bearing | | | | |
| 38 | | 4 | #10 Shakeproof Washer | | | | |
| 39 | | 4 | #10-24 x 1/2 Screw | | | | |
| 40 | 56454940 | 2 | Clamp | | | | |
| 41 | 56454618 | 1 | Tube | | | | |
| 42 | 56369160 | 1 | Barb | | | | |
| 43 | 56369152 | 1 | Valve | | | | |
| 44 | 56368741 | 1 | Plate | | | | |
| 45 | 56368768 | 1 | Gasket | | | | |
| 46 | 56368997 | 1 | Bushing | | | | |
| 47 | 56454161 | 1 | Plate | | | | |
| 48 | 56471220 | 1 | Bushing | | | | |
| 49 | 56454164 | 1 | Bar | | | | |
| 50 | | 1 | 1/4-20 x 2 Screw | | | | |
| 51 | 56321532 | 1 | Bushing | | | | |
| 52 | 56454158 | 1 | Bar | | | | |
| 53 | 56454169 | 1 | Bracket | | | | |

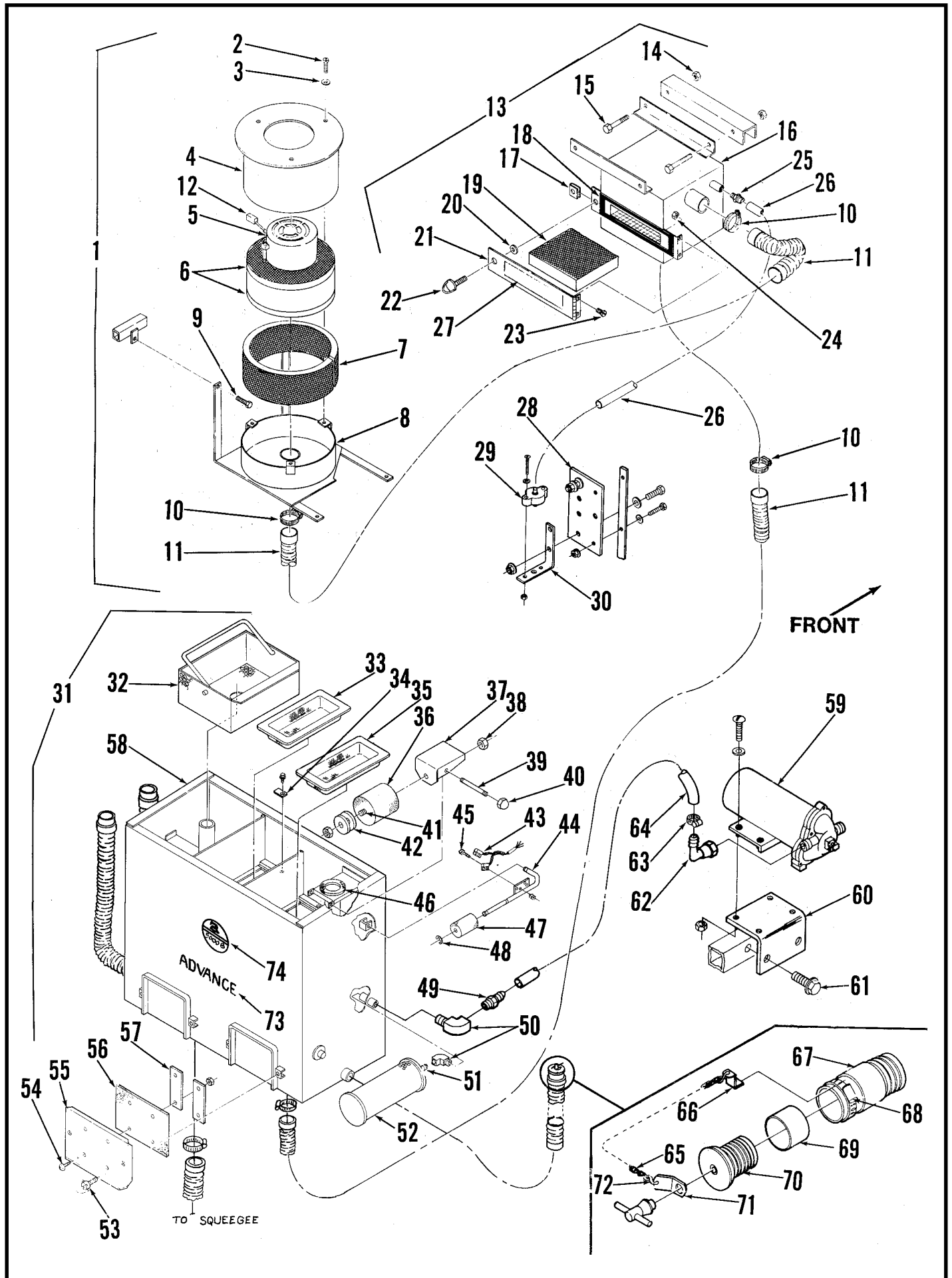
SOLUTION TANK with HYDRO-MAX SYSTEM

| Item | Part No. | Qty | Description | Item | Part No. | Qty | Description |
|------|----------|-----|-------------------------|------|----------|-----|----------------------|
| 1 | 56456156 | 1 | Solution Tank Assembly | 52 | 56454159 | 1 | Bar |
| 2 | 56456126 | 1 | Panel Weldment | 53 | | 4 | 1/4-20 x 1 Screw |
| 3 | 56200754 | 1 | Gasket | 54 | 56453936 | 2 | Bracket |
| 4 | 56749649 | 1 | Coupler | 55 | 56379107 | 4 | Tube |
| 5 | 56456176 | 2 | Switch Assembly | 56 | 56453924 | 2 | Pipe Weldment |
| 6 | 56456098 | 1 | Chemical Tank | 57 | | 4 | 1/4-20 x 5/8 Screw |
| 7 | 56470138 | 1 | Barb | 58 | 56373792 | 4 | Spring |
| 8 | 56756364 | 2 | Hose Clamp | 59 | 56749202 | 4 | Barb |
| 9 | 56755882 | 1 | 1/4 Hose | 60 | 56454612 | 2 | Valve |
| 10 | 56172072 | 1 | Nipple | 61 | 56244985 | 2 | Barb |
| 11 | 56456107 | 1 | Barb | 62 | 56112771 | 6 | Hose Clamp |
| 12 | 56757310 | 1 | Elbow | 63 | 56449850 | 2 | Tube |
| 13 | 56260170 | 1 | Chemical Injector | 64 | 56454609 | 1 | Tee |
| 14 | 56443972 | 1 | Barb | 65 | | 4 | 1/4-20 x 1-1/4 Screw |
| 15 | 56755880 | 1 | 1/4 Hose | 66 | 56454357 | 1 | Bracket |
| 16 | 56755162 | 1 | Metering Barb | 67 | 56456617 | 1 | Valve Assembly |
| 17 | 56111309 | 1 | Elbow | 68 | 56454280 | 1 | Valve Handle |
| 18 | 56745860 | 2 | 5/8-18 Brass Nut | 69 | 56454168 | 1 | Barb |
| 19 | 56401783 | 2 | Tank Leveler | 70 | 56482365 | 1 | Horn |
| 20 | 56456058 | 1 | Barb | 71 | | 2 | 1/4-20 x 1 Screw |
| 21 | 56456068 | 1 | Washer | 72 | 56760018 | 1 | Tube |
| 22 | 56576520 | 4 | 1/4-20 x 7/8 Screw | 73 | 56131601 | 2 | Hose Clamp |
| 23 | 56454628 | 2 | Plate | | | | |
| 24 | 56900737 | 4 | Sealing Washer | | | | |
| 25 | 56456108 | 1 | Solution Tank | | | | |
| 26 | 56454604 | 1 | 60" Gasket | | | | |
| 27 | 56260097 | 1 | Drain Hose | | | | |
| 28 | 56260098 | 1 | Plug | | | | |
| 29 | 56454626 | 4 | Washer | | | | |
| 30 | | 4 | 1/4-20 Brass Nut | | | | |
| 31 | 56456092 | 1 | Baffle | | | | |
| 32 | | 16 | #10-32 x 3/8 HP-5 Screw | | | | |
| 33 | 56456102 | 1 | Filler Weldment | | | | |
| 34 | 56478502 | 1 | Cap | | | | |
| 35 | | 6 | #8-32 x 3/8 HP-5 Screw | | | | |
| 36 | 56456104 | 1 | Gasket | | | | |
| 37 | | 12 | 1/4 Shakeproof Washer | | | | |
| 38 | | 8 | 1/4 Washer | | | | |
| 39 | 56368989 | 4 | Bushing | | | | |
| 40 | 56368970 | 3 | Sleeve Bearing | | | | |
| 41 | 56454157 | 1 | Lever Weldment | | | | |
| 42 | 56364527 | 1 | Knob | | | | |
| 43 | 56454158 | 1 | Bar | | | | |
| 44 | 56321532 | 1 | Bushing | | | | |
| 45 | 56321427 | 1 | Retaining Ring | | | | |
| 46 | 56368997 | 1 | Bushing | | | | |
| 47 | 56454164 | 1 | Bar | | | | |
| 48 | 56471220 | 1 | Bushing | | | | |
| 49 | 56200972 | 1 | Sleeve Bearing | | | | |
| 50 | 56454161 | 1 | Plate Weldment | | | | |
| 51 | | 4 | 1/4-20 x 1/2 Screw | | | | |



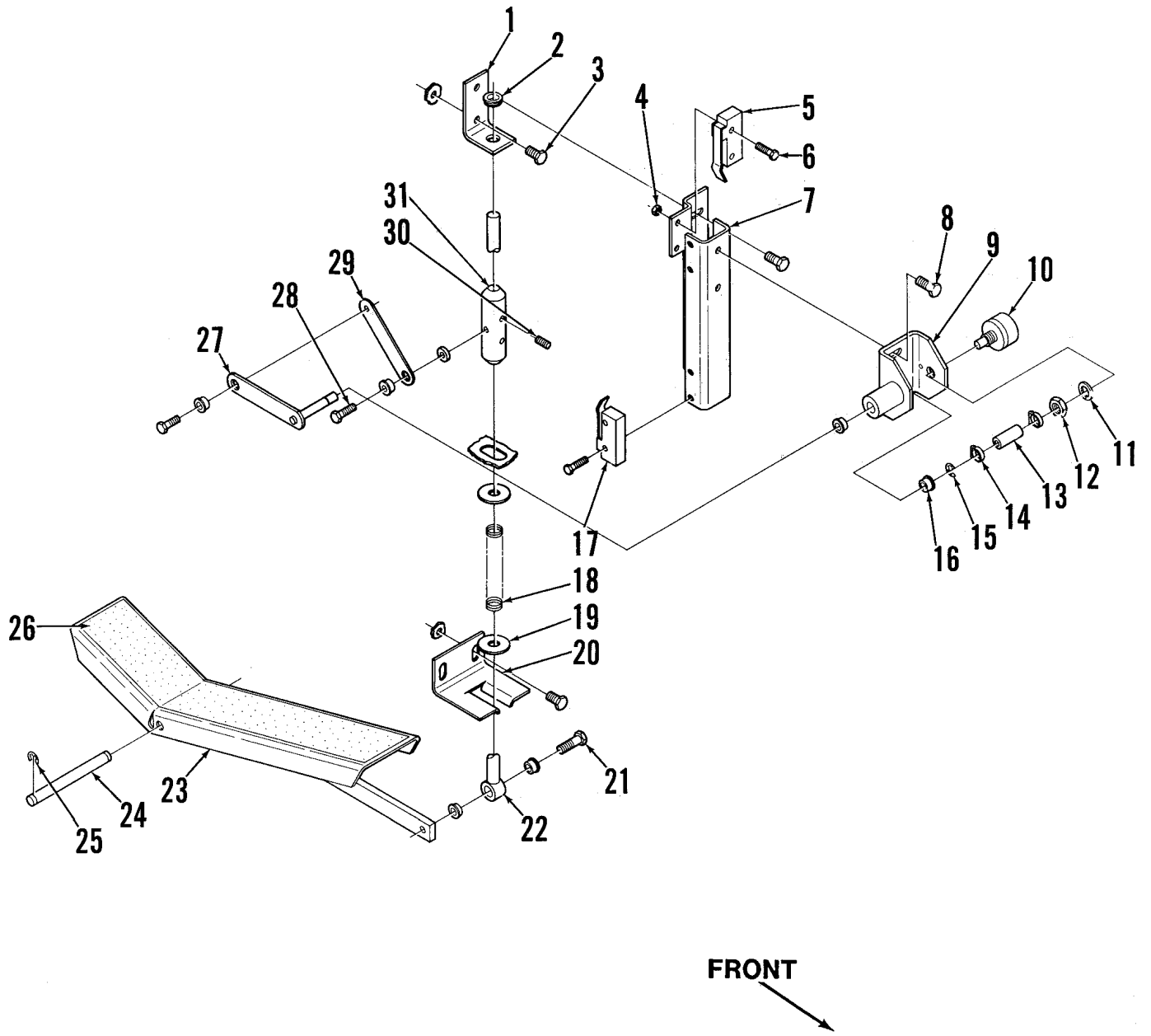
RECOVERY TANK AND VACUUM SYSTEM

| Item | Part No. | Qty | Description | Item | Part No. | Qty | Description |
|------|----------|-----|------------------------|------|----------|-----|------------------------------|
| 1 | 56452189 | 1 | Motor Housing Assembly | 52 | | 2 | 1/4-20 Cap Nut |
| 2 | | 3 | 1/4-20 X 3/4 Screw | 53 | 56454727 | 1 | Rod |
| 3 | | 3 | 1/4 Lock Washer | 54 | 56454751 | 1 | Baffle |
| 4 | 56454330 | 1 | Baffle Weldment | 55 | 56385349 | 1 | Float |
| 5 | 56454206 | 1 | Vacuum Motor | 56 | 56454724 | 1 | Rod |
| | 56494007 | 2 | Bearing | 57 | 56454721 | 1 | Weight |
| | 56454208 | 1 | Brush Set | 58 | 56454272 | 2 | Gasket |
| 6 | 56200379 | 2 | Gasket | 59 | 56454262 | 2 | Tube Weldment |
| 7 | 56454333 | 2 | Foam | 60 | | 4 | #10-24 X 3/4 Screw |
| 8 | 56454340 | 1 | Vacuum Motor Mount | 61 | | 8 | #10 Flat Washer |
| 9 | | 4 | 1/4-20 X 1/2 Screw | 62 | 56454275 | 4 | Bushing |
| 10 | 56440213 | 5 | Hose Clamp | 63 | | 4 | #10 Shakeproof Washer |
| 11 | 56449215 | 2 | Vacuum Hose | 64 | 56454250 | 2 | Spring |
| 12 | 56454208 | 1 | Carbon Brush Set | 65 | 56449221 | 2 | Bumper |
| 13 | 56454360 | 1 | Filter Box Assembly | 66 | | 4 | 1/2-13 Nut |
| 14 | | 2 | 5/16-18 Nut | 67 | | 2 | 1/2 Flat Washer |
| 15 | | 2 | 5/16-18 X 2 3/4 Screw | 68 | | 4 | #10-24 Nut |
| 16 | 56454350 | 1 | Filter Box | 69 | 56761332 | 4 | 1/4 Brass Washer |
| 17 | 56468960 | 1 | Screw Receptacle | 70 | 56900737 | 8 | Sealing Washer |
| 18 | 56331126 | 1 | Gasket | 71 | 56453094 | 1 | Recovery Sys Ref. TSB563 G11 |
| 19 | 56454259 | 1 | Filter | 72 | | 12 | 1/4-20 X 3/4 Brass Screw |
| 20 | 56448108 | 1 | Retaining Washer | 73 | 56454778 | 2 | Hinge |
| 21 | 56454370 | 1 | Door | 74 | 56454712 | 2 | Gasket |
| 22 | 56448104 | 1 | Fastener Screw | 75 | | 8 | 3/8-16 X 3/4 Screw |
| 23 | | 2 | #10-24 X 3/8 Screw | 76 | 56454702 | 1 | Plate |
| 24 | | 2 | 10-24 Whiz Nut | 77 | 56457313 | 1 | Nut Plate |
| 25 | 56477522 | 1 | Barb | 78 | 56454706 | 1 | Gasket |
| 26 | 56370002 | 1 | Rubber Tube | 79 | 56454764 | 1 | Tube Weldment |
| 27 | 56025345 | 1 | Decal, Filter | | | | |
| 28 | 56454444 | 1 | Terminal Block | | | | |
| 29 | 56479114 | 1 | Vacuum Switch | | | | |
| 30 | 56454345 | 1 | Bracket | | | | |
| 31 | 56453097 | 1 | Recovery Tank Assembly | | | | |
| 32 | 56329145 | 2 | Hose Clamp | | | | |
| 33 | 56372216 | 1 | Drain Hose | | | | |
| 34 | 56376940 | 1 | Hose Cuff | | | | |
| 35 | 56376948 | 1 | T-Handle Plug | | | | |
| 36 | 56376942 | 1 | T-Handle Clip | | | | |
| 37 | 56745391 | 2 | Chain Hook | | | | |
| 38 | 56404336 | 1 | Hose Storage Clamp | | | | |
| 39 | 56376944 | 1 | Hose Clip | | | | |
| 40 | 56209992 | 1 | Chain | | | | |
| 41 | 56454745 | 1 | Tube Weldment | | | | |
| 42 | | 15 | 1/4-20 Brass Nut | | | | |
| 43 | 56454752 | 2 | Baffle | | | | |
| 44 | 56454626 | 22 | Washer | | | | |
| 45 | 56576520 | 11 | Screw | | | | |
| 46 | 56454709 | 2 | Gasket | | | | |
| 47 | 56454731 | 1 | Square Tube | | | | |
| 48 | | 1 | 1/4-20 Nut | | | | |
| 49 | 56454253 | 1 | Gasket | | | | |
| 50 | 56454730 | 1 | Tube Weldment | | | | |
| 51 | | 1 | 1/4-20 X 1/2 Screw | | | | |



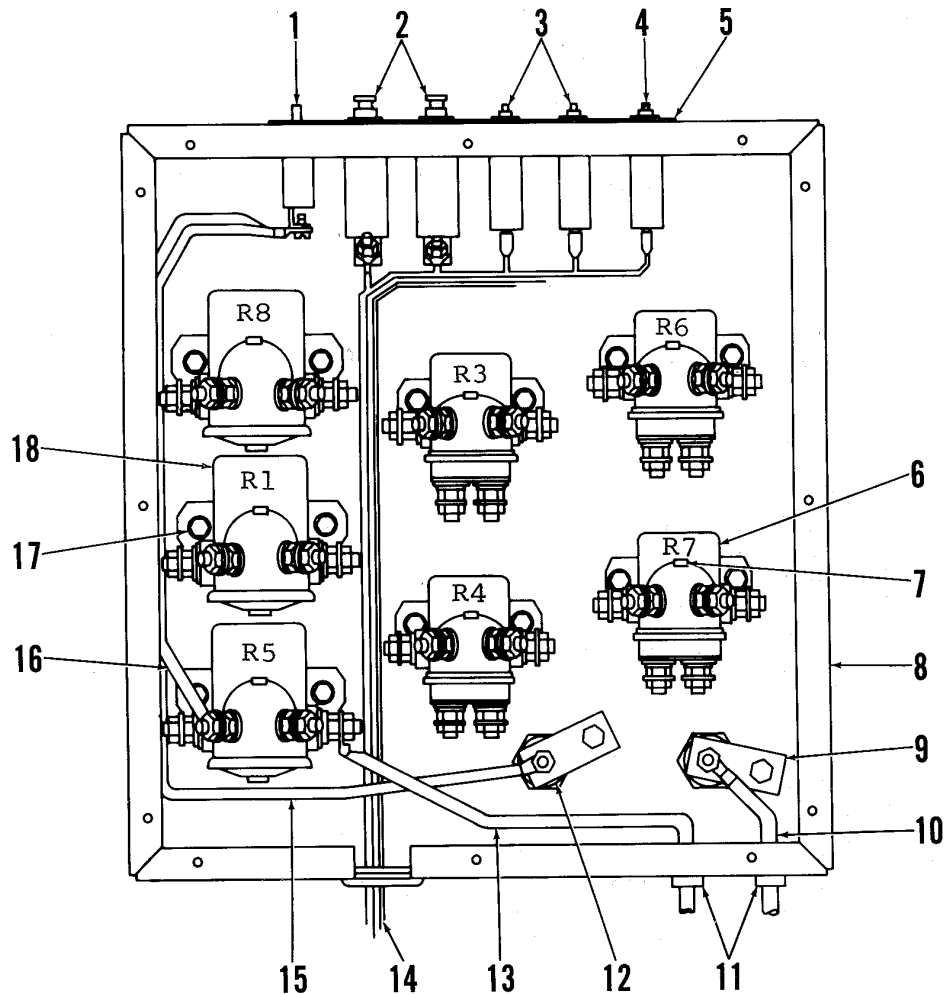
RECOVERY TANK and VACUUM SYSTEM with HYDRO-MAX

| Item | Part No. | Qty | Description | Item | Part No. | Qty | Description |
|------|----------|-----|------------------------|------|----------|-----|--------------------------|
| 1 | 56452189 | 1 | Motor Housing Assembly | 51 | 56749229 | 1 | Elbow |
| 2 | | 3 | 1/4-20 x 3/4 Screw | 52 | 56456035 | 1 | Strainer |
| 3 | | 3 | 1/4 Lock Washer | 53 | 56448104 | 4 | Fastener Screw |
| 4 | 56454330 | 1 | Baffle Weldment | 54 | | 8 | 1/4-20 x 3/8 Screw |
| 5 | 56454206 | 1 | Vacuum Motor | 55 | 56456040 | 2 | Cover |
| | 56494007 | 2 | Bearing | 56 | 56456038 | 2 | Gasket |
| 6 | 56200379 | 2 | Gasket | 57 | 56456039 | 4 | Retaining Strap |
| 7 | 56454333 | 2 | Foam | 58 | 56456091 | 1 | Tank Weldment |
| 8 | 56454340 | 1 | Vacuum Motor Mount | 59 | 56456174 | 1 | Pump |
| 9 | | 4 | 1/4-20 x 1/2 Screw | | 56503000 | 1 | Valve Kit for 456174 |
| 10 | 56440213 | 5 | Hose Clamp | | 56503001 | 1 | Diaphragm Kit for 456174 |
| 11 | 56449215 | 2 | Vacuum Hose | 60 | 56456112 | 1 | Pump Mount |
| 12 | 56454208 | 1 | Carbon Brush Set | 61 | | 2 | 1/2-13 x 3/4 Screw |
| 13 | 56454360 | 1 | Filter Box Assembly | 62 | 56261246 | 2 | Elbow |
| 14 | | 2 | 5/16-18 Nut | 63 | 56112771 | 2 | Hose Clamp |
| 15 | | 2 | 5/16-18 x 2-3/4 Screw | 64 | 56456749 | 1 | PVC Tube |
| 16 | 56454350 | 1 | Filter Box | 65 | 56209992 | 3 | Chain |
| 17 | 56468960 | 1 | Receptacle Screw | 66 | 56376944 | 3 | Hose Clip |
| 18 | 56331126 | 1 | Gasket | 67 | 56372216 | 3 | Drain Hose |
| 19 | 56454259 | 1 | Filter | 68 | 56329145 | 6 | Hose Clamp |
| 20 | 56448108 | 1 | Retaining Washer | 69 | 56376940 | 3 | Cuff |
| 21 | 56454370 | 1 | Door | 70 | 56376948 | 3 | Plug |
| 22 | 56448104 | 1 | Screw | 71 | 56376942 | 3 | Plug Clip |
| 23 | | 2 | #10-24 x 3/8 Screw | 72 | 56745391 | 6 | Chain Hook |
| 24 | | 2 | #10-24 Whiz Nut | | 56404336 | 3 | Hose Storage Clamp |
| 25 | 56477522 | 1 | Barb | 73 | 56016519 | 1 | Decal, Advance |
| 26 | 56471052 | 1 | Rubber Tube | 74 | 56025330 | 1 | Decal, 5010B |
| 27 | 56024345 | 1 | Decal, Filter | | | | |
| 28 | 56454444 | 1 | Terminal Block | | | | |
| 29 | 56479114 | 1 | Vacuum Switch | | | | |
| 30 | 56454345 | 1 | Bracket | | | | |
| 31 | 56456158 | 1 | Recovery Tank Assembly | | | | |
| 32 | 56456042 | 1 | Basket Weldment | | | | |
| | 56456131 | 1 | Basket Handle | | | | |
| 33 | 56456032 | 1 | Panel Screen | | | | |
| 34 | 56456037 | 4 | Retaining Tab | | | | |
| 35 | 56456033 | 1 | Panel Screen | | | | |
| 36 | 56385198 | 1 | Float | | | | |
| 37 | 56456030 | 1 | Baffle | | | | |
| 38 | | 2 | 1/4-20 Nut | | | | |
| 39 | 56454727 | 1 | Rod | | | | |
| 40 | | 2 | 1/4-20 Cap Nut | | | | |
| 41 | 56454724 | 1 | Rod | | | | |
| 42 | 56454721 | 2 | Weight | | | | |
| 43 | 56388167 | 2 | Mercury Switch | | | | |
| 44 | 56456119 | 1 | Rod Weldment | | | | |
| 45 | 56209485 | 4 | #10-24 x 1/2 Screw | | | | |
| 46 | 56454253 | 1 | Gasket | | | | |
| 47 | 56456023 | 1 | Float | | | | |
| 48 | 56321125 | 2 | Retaining Ring | | | | |
| 49 | 56749202 | 1 | Barb | | | | |
| 50 | 56742125 | 2 | Elbow | | | | |



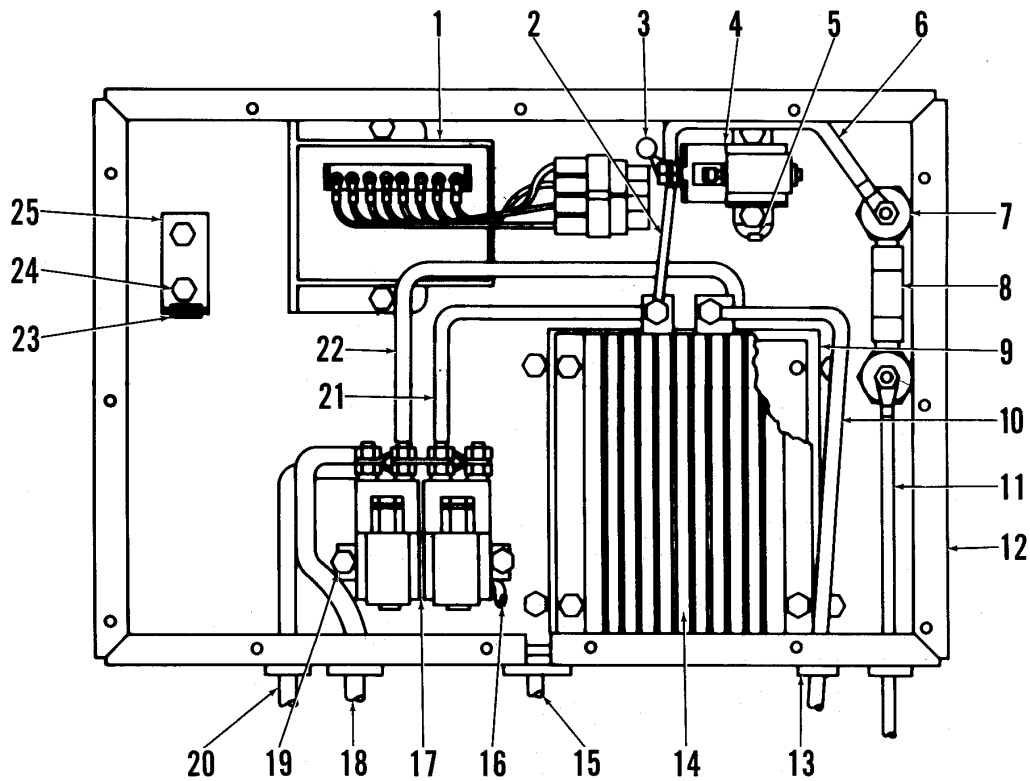
DRIVE PEDAL ASSEMBLY

| Item | Part No. | Qty | Description |
|------|----------|-----|-------------------------|
| 1 | 56452154 | 1 | Angle |
| 2 | 56329098 | 1 | Nylon Bearing |
| 3 | | 6 | 1/4-20 x 1/2 Screw |
| 4 | | 6 | #6-32 Nut |
| 5 | 56452144 | 1 | Switch |
| 6 | | 6 | #6-32 x 7/8 Screw |
| 7 | 56452168 | 1 | Mount |
| 8 | | 3 | 1/4-20 x 1/2 HP-5 Screw |
| 9 | 56452161 | 1 | Bracket Weldment |
| 10 | 56452142 | 1 | Potentiometer |
| 11 | | 1 | 3/8 Lock Washer |
| 12 | | 1 | 3/8-32 Nut |
| 13 | 56454036 | 1 | Hose |
| 14 | 56756364 | 2 | Hose Clamp |
| 15 | 56321125 | 1 | Retaining Ring |
| 16 | 56756318 | 6 | Flange Bearing |
| 17 | 56452143 | 2 | Switch |
| 18 | 56452141 | 2 | Spring |
| 19 | | 2 | 3/8 Flat Washer |
| 20 | 56452167 | 1 | Bracket |
| 21 | | 1 | 1/4-20 x 3/4 HP-5 Screw |
| 22 | 56452164 | 1 | Shaft Weldment |
| 23 | 56452174 | 1 | Pedal Weldment |
| 24 | 56454010 | 1 | Pin |
| 25 | | 2 | Retaining Ring |
| 26 | 56452170 | 1 | Pedal Mat |
| 27 | 56452157 | 1 | Shaft Weldment |
| 28 | | 1 | #10-24 x 3/4 Screw |
| 29 | 56452158 | 1 | Strap |
| 30 | | 2 | #10-24 x 9/16 Set Screw |
| 31 | 56452153 | 1 | Collar |



LEFT ELECTRICAL PANEL

| Item | Part No. | Qty | Description |
|------|----------|-----|---|
| 1 | 56454429 | 1 | 70A Circuit Breaker (Brush Motor) |
| 2 | 56452193 | 2 | 40A Circuit Breaker (Vacuum/Broom Motor) |
| 3 | 56387316 | 2 | 10A Circuit Breaker (Brush/Squeegee Lift) |
| 4 | 56454538 | 1 | 15A Circuit Breaker (Control Circuit) |
| 5 | 56024009 | 1 | Decal, Breaker |
| 6 | 56388534 | 4 | Solenoid Contactor SPDT |
| 7 | 56389265 | 7 | Rectifier |
| 8 | 56452175 | 1 | Electrical Tray |
| 9 | 56454728 | 2 | Copper Plate |
| 10 | 56454570 | 1 | Cable Assembly |
| 11 | 56382818 | 2 | Strain Relief |
| 12 | 56469858 | 2 | Insulated Stand-Off |
| 13 | 56454564 | 1 | Cable Assembly |
| 14 | 56452192 | 1 | Left Panel Harness |
| 15 | 56389293 | 1 | Cable Assembly |
| 16 | 56388026 | 1 | Cable Assembly |
| 17 | | 14 | 1/4-20 x 3/8 Screw |
| 18 | 56395452 | 3 | Solenoid Contactor SPST |



RIGHT ELECTRICAL PANEL

| Item | Part No. | Qty | Description |
|------|----------|-----|----------------------------|
| 1 | 56452178 | 1 | For/Rev Interlock Assembly |
| 2 | 56452205 | 1 | Cable Assembly |
| 3 | 56454807 | 1 | Resistor Assembly |
| 4 | 56454806 | 1 | Contactor, Motor |
| 5 | 56454812 | 3 | Diode Assembly |
| 6 | 56452206 | 1 | Cable Assembly |
| 7 | 56469858 | 2 | Insulated Stand-Off |
| 8 | 56479108 | 1 | 200A Fuse |
| 9 | 56452176 | 1 | Thermal Pad |
| 10 | 56452190 | 1 | Cable Assembly |
| 11 | 56452191 | 1 | Cable Assembly |
| 12 | 56452169 | 1 | Controller Tray |
| 13 | 56387818 | 4 | Strain Relief |
| 14 | 56454803 | 1 | Speed Control |
| 15 | 56452180 | 1 | Right Panel Harness |
| 16 | 56454813 | 2 | Diode Assembly |
| 17 | 56454705 | 1 | Contactor, For/Rev |
| 18 | 56452202 | 1 | Cable Assembly |
| 19 | | 4 | #10-24 x 3/8 Screw |
| 20 | 56452203 | 1 | Cable Assembly |
| 21 | 56452207 | 1 | Cable Assembly |
| 22 | 56452208 | 1 | Cable Assembly |
| 23 | 56329098 | 1 | Nylon Bushing |
| 24 | | 12 | 1/4-20 x 1/2 Screw |
| 25 | 56452154 | 1 | Angle |
| * | 56452152 | 1 | Heat Sink |

* = Not Shown

WIRING DIAGRAM

| Item | Part No. | Qty | Description |
|------|----------------------|-----|---|
| 1 | 56454538 | 1 | 15A Circuit Breaker (Control Circuit) |
| 2 | 56478640 | 1 | Main Switch |
| 3 | 56376348 | 1 | Headlight Switch |
| 4 | 56441555 | 1 | Horn Switch |
| 5 | 56482343 | 1 | Rotating Beacon |
| 6 | 56478363 | 1 | Hour Meter |
| 7 | 56448677 | 1 | Battery Condition Meter |
| 8 | 56452183 | 1 | Recovery Tank Full Light |
| 9 | 56482365 | 1 | Horn |
| 10 | 56482355 | 2 | Headlight |
| 11 | 56454457 | 1 | Broom Motor |
| 12 | 56456176 | 2 | Switch (Hydro-Max) |
| 13 | 56452183 | 1 | Solution Tank Low Light (Hydro-Max) |
| 14 | 56456174 | 1 | Pump Motor (Hydro-Max) |
| 15 | 56388534 | 4 | Solenoid Contactor |
| 16 | 56452185 | 1 | Brush Lift Motor |
| 17 | 56395452 | 3 | Contactactor |
| 18 | 56454454 | 1 | Brush Motor |
| 19 | 56452129 | 1 | Squeegee Lift Motor |
| 20 | 56454206 | 1 | Vacuum Motor |
| 21 | 56454705 | 1 | Contactactor |
| 22 | 56454484 | 1 | Drive Motor |
| 23 | 56454804 | 1 | For/Rev Interlock |
| 24 | 56454803 | 1 | Speed Control |
| 25 | 56452142 | 1 | Potentiometer |
| 26 | 56454806 | 1 | Main Contactor |
| 27 | 56479108 | 1 | 200A Fuse |
| 28 | 56452143 | 2 | Switch |
| 29 | 56457364 | 1 | Seat Switch |
| 30 | 56452193 | 2 | 40A Circuit Breaker (Vacuum/Broom Motor) |
| 31 | 56387316 | 2 | 10A Circuit Breaker (Brush & Squeegee Lift) |
| 32 | 56377003 | 1 | Squeegee Switch |
| 33 | 56454429 | 1 | 70A Circuit Breaker (Brush Motor) |
| 34 | 56388019 | 4 | Switch |
| 35 | 56377003 | 1 | Brush Switch |
| 36 | 56261219 | 1 | Relay (Hydro-Max) |
| 37 | 56388167 | 2 | Mercury Switch (Hydro-Max) |
| 38 | 56479114 | 1 | Vacuum Switch |
| R1 | Broom Motor | | |
| R2 | Hydro-Max Pump | | |
| R3 | Brush Lift - Up | | |
| R4 | Brush Lift - Down | | |
| R5 | Brush Motor | | |
| R6 | Squeegee Lift - Up | | |
| R7 | Squeegee Lift - Down | | |
| R8 | Vacuum Motor | | |
| R9 | Main Contactor | | |
| R10 | For/Rev Contactor | | |
| R11 | For/Rev Contactor | | |

OPTIONAL PARTS AND ACCESSORIES

| Part No. | Description |
|----------|--------------------------------|
| 56458000 | Hydro-Trailer |
| 56458364 | Hydro-Trailer Installation Kit |
| 56453617 | Vacuum Wand Attachment Kit |
| 56453260 | Overhead Guard Kit |
| 56043003 | 5000B Service Manual |