



Electronic Service Manuals

This electronic document is provided as a service to our customers. We do not create the contents of the information contained in this document. Should you have detailed questions pertaining to the information contained in this document, you may contact Michco, or the manufacturer which provided the original information in this electronic deliverable. Michco's only part in this electronic deliverable was the electronic assembly process.

You may contact Michco through the following methods:
Phone (517) 484-9312 or (800) 331-3339 MI, OH, IN only
2011 N. High St. -- Lansing, Michigan -- 48906
Fax: (517) 484-9836
Email: CustServ@Michco.com
Web site: www.Michco.Com
Parts Web site: www.FloorMachineParts.Com

Order Parts on Line at:
www.FloorMachineParts.Com

Directly to Parts & Service:
By Email: **Shop@Michco.com**
By Fax: (517) 702-2041
By Voice: Use numbers above.

Serving the Cleaning Industry Since 1922

Notice: All copyrighted material remains property of original owners, all trademarks are property of respective owners. Manuals are subject to Manufacturer's reproduction limitations. Originals or reproductions were provided by manufacturers through a request. We make no warranty as to the correctness of information provided in this document and you assume all risk.

Hydro-Retriever™ 5000G/P



PARTS LIST

Advance MODELS 5000G, 5000P

This parts list is for machines after serial number 963543

All models covered in this manual are OBSOLETE



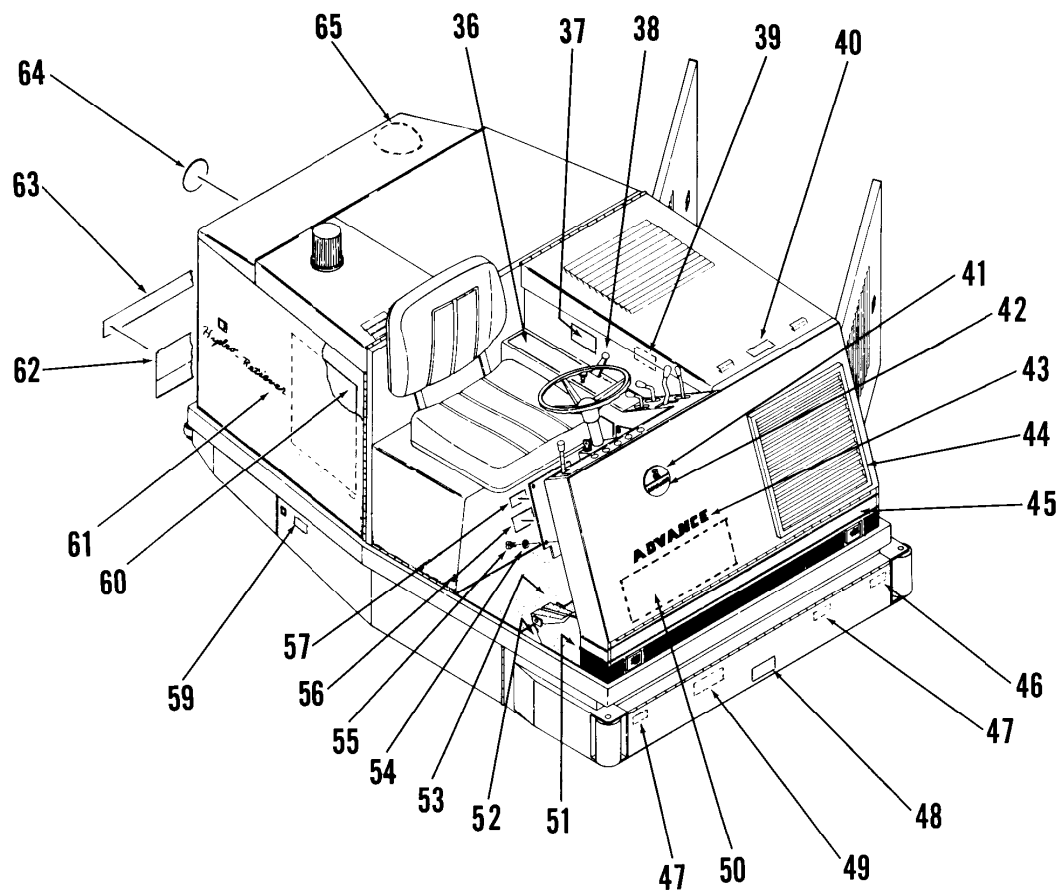
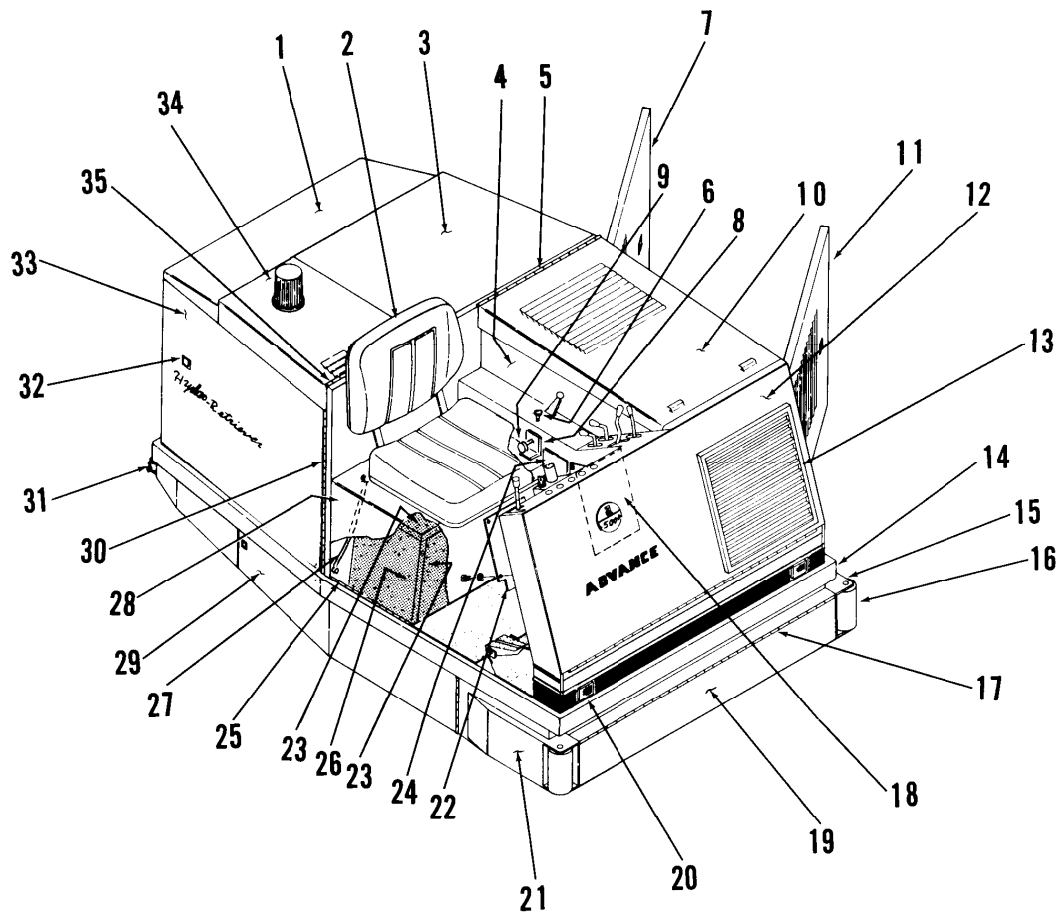
**Nilfisk
Advance**

setting standards

11/84 revised 2/01 FORM NO. 56042112

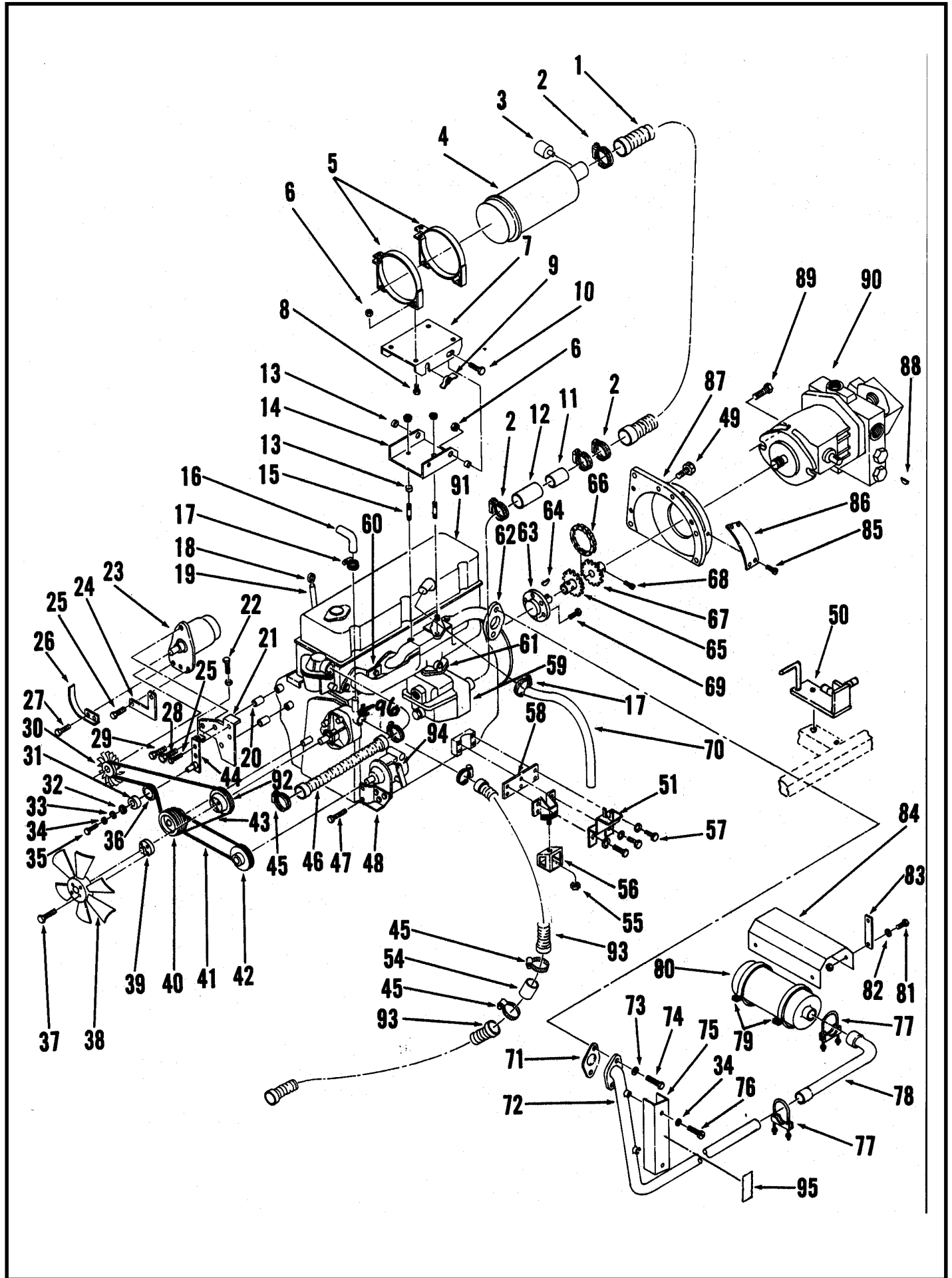
INDEX FOR FORM NUMBER 042112

<u>Description</u>	<u>Location</u>	<u>Page</u>
Battery & Fuel Tank	A11	8
Broom Housing & Front Skirts	B5	15
Broom Motor & Side Skirts	B7	17
Brush Drive	B11	21
Drive Pedal & Linkage	B13	23
Engine Air Filt. & Rad. (SN 118912 & after)	C13	37
Engine, Gas (SN 118911 & before)	A6	3
Engine, Gas (SN 118912 & after)	C11	35
Engine, LP (SN 118911 & before)	A8	5
Engine, LP (SN 118912 & after)	D1	39
Hydraulic Diagram	C3	27
Hydraulic Filter & Oil Tank	C6	30
Hydraulic Pump	C7	31
Motor, Brush & Broom	C9	33
Motor, Vacuum Impeller	C10	34
Outer Body - 1	A4	1
Outer Body - 2	A5	2
Radiator (SN 118911 & before)	A10	7
Recovery Tank	C1	25
Solution Valve & Tank	B14	24
Squeegee	B9	19
Vacuum Impeller	B3	13
Wheel, Front	B1	11
Wheel, Rear & Steering	A12	9
Wiring Diagram	C5	29



HOUSING ASSEMBLY

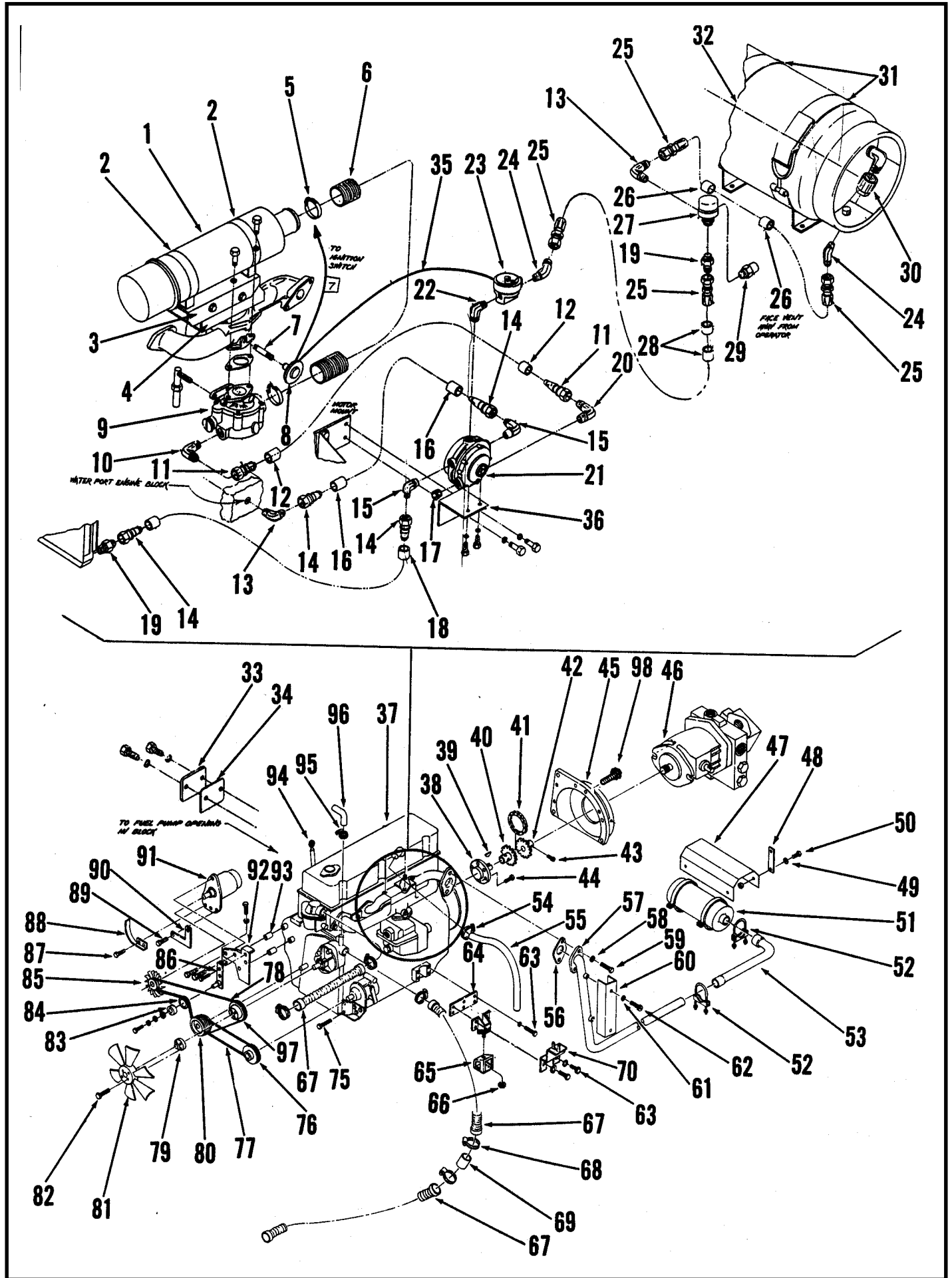
Item	Part No.	Qty	Description	Item	Part No.	Qty	Description
1	457678	1	Cover	44	457668	1	Panel, Front
2	457363	1	Seat	45	025534	1	Decal, Front Stripe
3	457688	1	Panel Weldment	46	025480	1	Decal, Catch
4	457672	1	Panel	47	025478	2	Decal, Flow Control
5	457676	1	Hinge	48	025360	1	Decal, Caution
6	760210	1	Choke Control	49	025366	1	Decal, Caution
7	457680	1	Door Weldment, Left, with	50	025420	1	Decal, Wiring Diagram
	457684	1	Hinge	51	457583	1	Floor Mat
8	457470	1	Bracket	52	457478	1	Floor Plate
9	578214	1	Lock Assembly	53	457584	1	Floor Mat
10	457674	1	Hood	54	449340	52	Washer, Finishing
11	457670	1	Door, Engine	55		52	Screw, Oval Hd 10-24 x 1/2
12	457663	1	Front Panel Assembly	56	025402	1	Decal, Patent No.
	457664	1	Front Panel	57	025498	1	Name Plate
13	457500	1	Front Grill	58			intentionally omitted
14	457658	1	Skirt, Left	59	025378	2	Decal, Broom
15	456853	2	Pin	60	025422	1	Decal, Hydraulic Diagram
16	456855	2	Bumper Assembly, with	61	025327	1	Decal, Hydro-Retriever
	362852	2	Bearing	62	456880	1	Weight
17	457414	1	Hinge	63	025504	1	Decal, Weight
18	457456	1	Panel	64	025330	1	Decal, Advance
19	457398	1	Door Weldment	65	454719	1	Deflector with 1/4-20 Nut
20	454528	2	Headlight, with	66	456849	1	Cable, Front Panel (not shown)
	454447	2	Insulator Bracket	67	385238	1	Cylinder, Hood (not shown)
21	457656	1	Skirt, Right				
22	457480	1	Panel				
23	457474	2	Foam, Acoustical				
24	457462	1	Door				
25	457468	1	Hinge				
26	457476	1	Foam, Acoustical				
27	456849	1	Cable				
28	457660	1	Panel Weldment Seat				
29	457654	1	Door, Right				
	457655	1	Door, Left				
30	457684	1	Hinge				
31	454906	1	Bumper Assembly Rear				
32	761160	5	Latch				
33	457682	1	Door, Right Rear				
34	457686	1	Panel				
35	457566	1	Hinge				
36	025472	1	Decal, Control				
37	025506	1	Decal, LPG only				
38	456554	1	Throttle Control Assembly, c/o				
	456328	1	Lever Assembly				
		2	Screw, Hex HP-5 10-24 x 5/8				
	456548	1	Anchor				
	488292	1	Cable, Throttle				
	488290	2	Ball Joint				
39	030048	1	Decal, Dipstick				
40	025496	1	Decal, Caution				
41	024958	1	Decal, Advance				
42	025333	1	Decal, 5000 Insert				
43	015326	1	Decal, Advance				



ENGINE ASSEMBLY - GAS

Item	Part No.	Qty	Description	Item	Part No.	Qty	Description
1	456307	1	Hose	54	446289	1	Tube
2	440213	4	Clamp, Hose	55	456791	2	Nut, Hex
3	478461	1	Indicator, Service	56	456362	2	Bracket
4	478710	1	Air Cleaner	57		12	Screw, Hex Hd 5/16-24 x 1, LW
	478720	1	Element, Primary	58	456360	2	Bar
	478722	1	Element, Secondary Safety	59	456507	1	Carburetor
5	480650	2	Band, Mounting	60	456523	5	Screw
6		8	Nut, Whiz 5/16-18	61	481546	1	Plug
7	456406	1	Bracket	62	456515	1	exhaust Manifold
8		4	Screw, Hex Hd 5/16-18 x 1/2	63	456352	1	Adapter Shaft
9		1	Wing Nut 5/16-18	64	378291	1	Key
10		2	Screw, Hex Hd 5/16-18 x 3/4	65	480817	1	Sprocket
11	456416	1	Adapter	66	480820	1	Chain, Coupler
12	456336	1	Hose	67	456298	1	Sprocket
13	320595	3	Bushing	68		2	Screw, Soc Hd Cap 1/4-20 x 1
14	456408	1	Bracket	69	456340	5	Screw
15	456338	2	Stud	70	456332	1	Hose, Road Draft
16	456553	1	Hose, By-Pass	71	456521	2	Gasket TSB 382 - G7
17	112771	2	Clamp	72	456384	1	Exhaust Pipe TSB 382 - G7
18	456535	1	Dipstick	73		2	Washer, Lock 3/8
19	456539	1	Tube, Oil Level	74		2	Screw, Hex Had 3/8-16 x 1
20	398618	2	Bushing	75	456420	1	Shield, Exhaust Pipe
21	456312	1	Bracket	76		2	Screw, Pan Hd 1/4-20 x 3/8
22		1	Screw, 5/16-18 x 1-1/4, Nut	77	456833	2	Clamp, Muffler
23	478483	1	Alternator	78	456380	1	Pipe
24	456320	1	Bracket	79	456368	2	Clamp, Muffler
25		1	Screw, Hx Hd 5/16-18 x 3/4, LW	80	478711	1	Muffler
26	456481	1	Guard Weldment	81		4	Screw, Hex Hd 1/4-20 x 1/2, Nut
27		1	Screw, Hx Hd 5/16-18 x 1/2, LW	82	151114	4	Washer
28	456344	2	Screw	83	456294	4	Mount
29		2	Screw, Hx Hd 1/2-13 x 1-3/4	84	456374	1	Shield
30		1	Pulley	85		4	Screw, Pan Hd #10-24 x 5/16
31	372773	1	Bearing	86	456350	1	Cover
32	456326	1	Ring, Retaining	87	456301	1	Housing, Bell
33	151114	1	Washer	88	456937	1	Key
34		3	Washer, Lock 1/4	89		2	Screw 1/2-13 x 1-1/4, SAE & LW
35		1	Screw, Hex Hd 1/4-20 x 1/2	90	456900	1	Pump, Hydraulic assembly
36	171216	1	Pulley		456295	1	Engine Assembly - Gas
37	456345	4	Screw	91	456290	1	Engine, 4 Cylinder
38	456551	1	Fan	92		1	Pulley (Chrysler #712 40950)
39	456348	1	Spacer	93	478725	2	Hose
40	456511	1	Pulley, Crankshaft	94	456493	1	Governor, Mechanical TSB 429 - G4
41	456495	1	Belt	95	030072	3	Decal, Warning - Hot
42		1	Pulley	96	456273	1	Water Pump
43	456334	1	Belt, Fan	*	456501	1	Rod, Governor
44	456314	1	Bracket	*	456503	2	Ball Joint
45	329145	6	Clamp, Hose	*	456555	1	Gasket, Manifold
46	456304	1	Hose	*	456519	1	Cover, Exhaust
47	456497	2	Screw	*	456517	2	Clamp, Manifold
48	456499	1	Bracket	*	456529	1	Cover, Starter
49	456789	4	Screw	*	456513	1	Intake Manifold
50	456863	1	Hose Guard				
51	456552	1	Anchor				
52	487252	2	Washer .53 *				
53	456525	1	Screw 5/16-18 x 2-1/2 *				

* = not shown

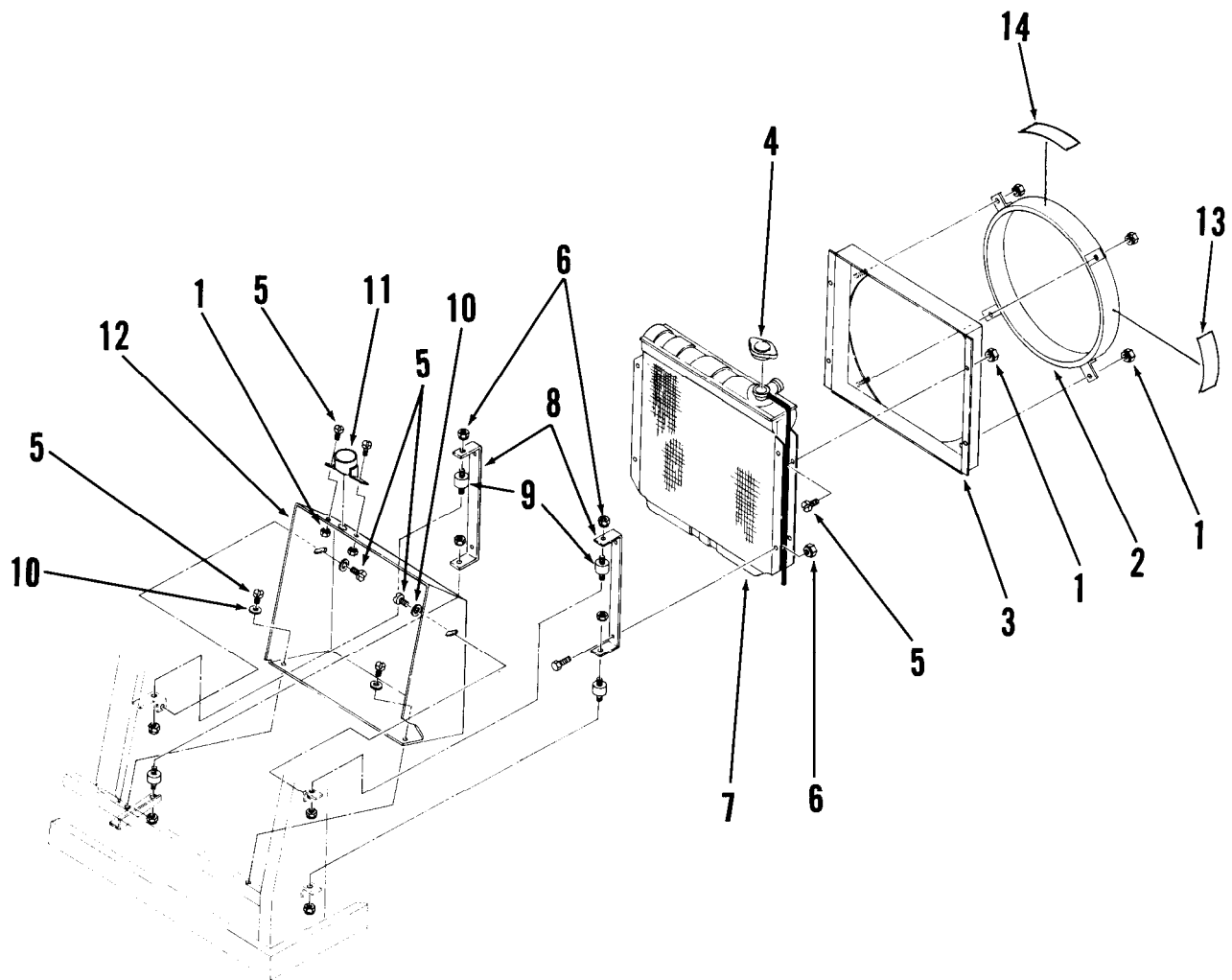


LP ENGINE ASSEMBLY

Item	Part No.	Qty	Description	Item	Part No.	Qty	Description
1	478710	1	Air Cleaner	51	478711	1	Muffler
	478720	1	Element, Primary	52	456368	2	Clamp, Muffler
	478722	1	Element, Secondary Safety	53	456380	1	Pipe
2	480650	2	Band, Mounting	54	112771	2	Clamp
3	456406	1	Bracket	55	456332	1	Hose, Road Draft
4	456408	1	Bracket	56	456521	2	Gasket
5	440213	2	Clamp, Hose	57	456384	1	Exhaust Pipe
6	456307	1	Hose	58		2	Washer, Lock 3/8
7	102407	1	Nipple	59		2	Screw, 3/8-16 x 1
8	456632	1	Vacuum Switch	60	456420	1	Shield, Exhaust. Pipe
9	456630	1	Carburetor & Gasket	61		5	Washer, Lock 1/4
10	456604	1	Elbow, 90° (-6-8B)	62		2	Screw, Pan Hd 1/4-20 x 3/8
11	456618	2	Swivel 45° (-8-8B)	63		12	Screw, Hex Hd 5/16-24 x 1 with Lock Washer
12	456599	1	Hose, 1/2 x 14.25	64	456360	2	Bar
13	456608	2	Elbow, 90° (-4-6B)	65	456362	2	Bracket
14	456616	4	Swivel 45° (-6-6B)	66	456791	2	Nut, Hex
15	456606	2	Elbow, 90° (-6-6B)	67	456304	1	Hose
16	456596	1	Hose, 3/8 I.D. x 6.25	68	329145	6	Clamp, Hose
17	456612	1	Plug, Hollow Hex	69	446289	1	Tube
18	456597	1	Hose, 3/8 I.D. x 21.50	70	456552	1	Anchor
19	456600	2	Adapter, Male	71	456620	1	Adapter 1/4 NPT (not shown)
20	456602	1	Elbow	72	456501	1	Rod, Governor (not shown)
21	456628	1	Regulator	73	456503	2	Ball Joint (not shown)
22	456610	1	Elbow, 90° (-4-4B)	74	456527	1	Starter (not shown)
23	456626	1	Safety Shut-Off Valve	75	456497	2	Screw
24	456598	2	Elbow, Male 45° (-4-6B)	76		1	Pulley
25	456614	4	Swivel, 45° (-6-6)	77	456495	1	Belt
26	456593	1	Hose, 5/16 I.D. x 12.00	78	456334	1	Belt, Fan
27	456622	1	Fuel Filter	79	456348	1	Spacer
28	456591	1	Hose, 5/16 I.D. x 28.0	80	456511	1	Pulley, Crankshaft
29	456624	1	Vent, 1/4 N.P.T.	81	456551	1	Fan
30	369675	1	Coupler, Female	82	456345	4	Screw
31	481912	1	Bracket, L.P. Tank	84	171216	1	Pulley
32	456590	1	Tank, L.P. 33#	85		1	Pulley
33	456635	1	Cover, Fuel Pump	86	456314	1	Bracket
34	456636	1	Gasket	87		1	Screw, Hex Hd 5/16-18 x 1/2 with Lock Washer
35	456633	1	Wire Assembly	88	456481	1	Guard Weldment
36	456634	1	Bracket	89		1	Screw, Hex Hd 5/16-18 x 3/4 with Lock Washer
	456296	1	Engine Assembly, LPG	90	456320	1	Bracket
37	456290	1	Engine, 4 Cylinder (Gas & LP)	91	478413	1	Alternator
38	456352	1	Adapter Shaft	92	456312	1	Bracket
39	378291	1	Key	93	398618	2	Bushing
40	480817	1	Sprocket	94	456535	1	Dipstick
41	480820	1	Chain, Coupler	95	112771	1	Clamp, Hose
42	456298	1	Sprocket	96	456553	1	Hose
43		2	Screw, Soc. Hd Cap 1/4-20 x 1	97		1	Pulley
44	456340	1	Screw	98	456789	4	Screw
45	456301	1	Housing, Bell				
46	456900	1	Hydraulic Pump Assembly				
47	456374	1	Shield				
48	456294	4	Mount				
49	151114	4	Washer				
50		4	Screw, Hex Hd 1/4-20 x 1/2 with Nut				

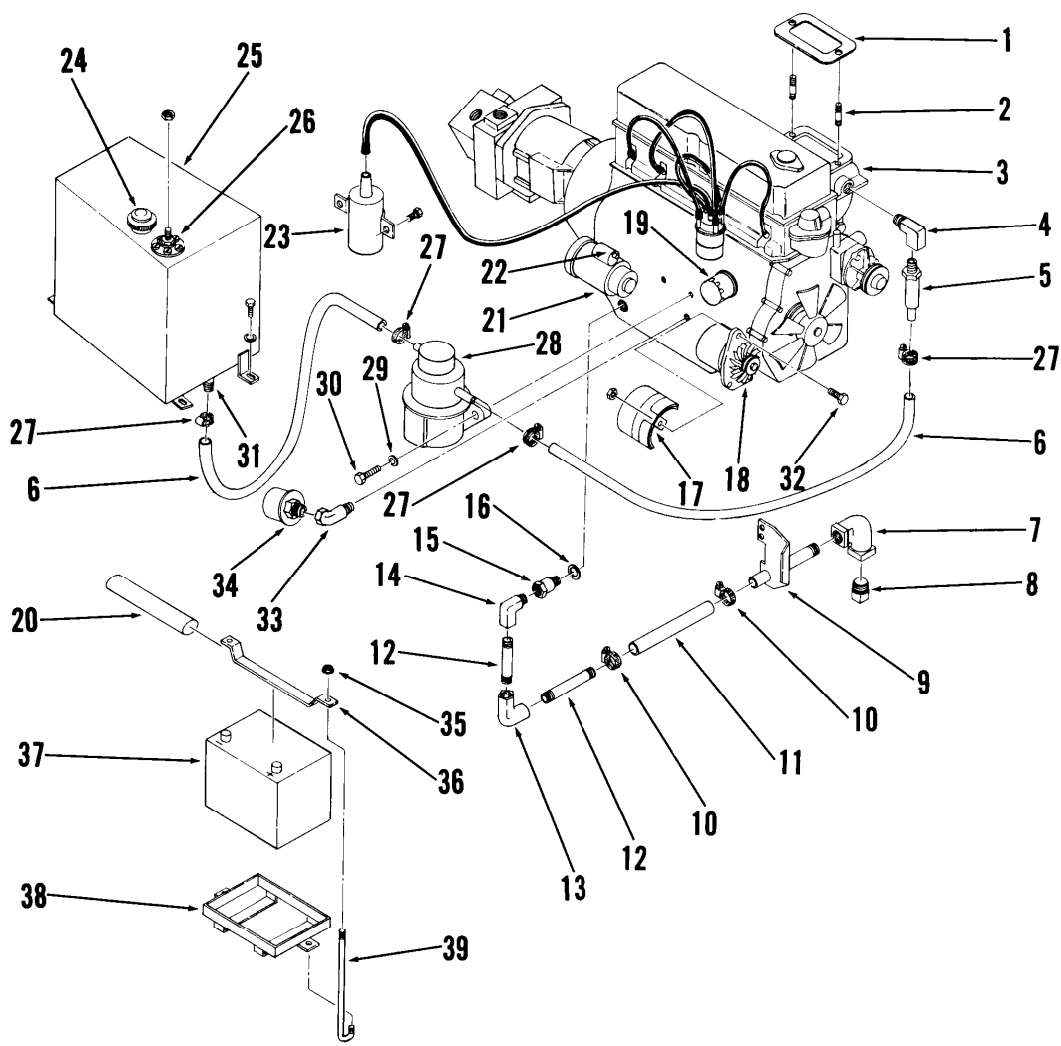
RADIATOR ASSEMBLY

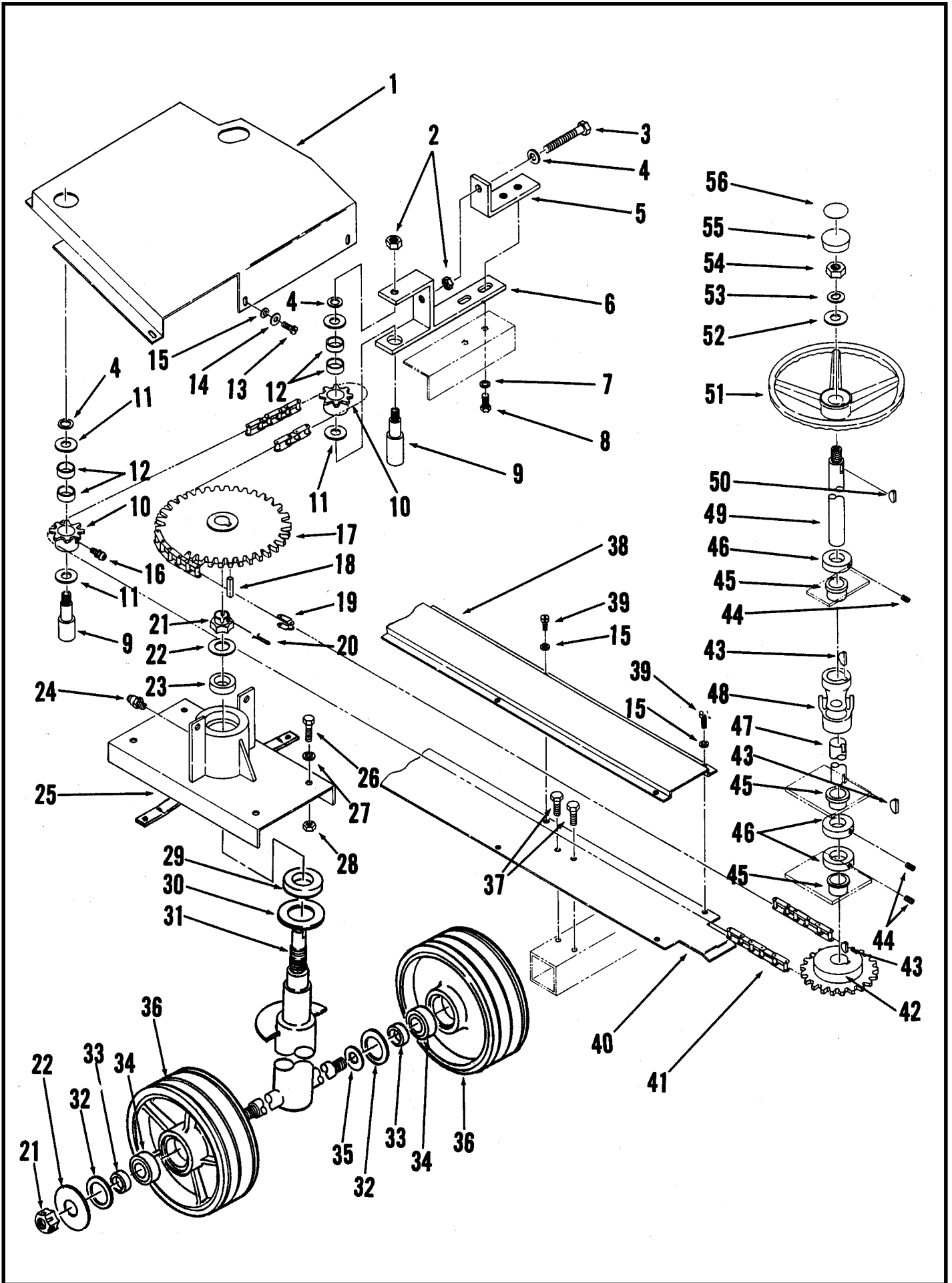
Item	Part No.	Qty	Description
1		10	Nut, Whiz #10-24
2	457260	1	Ring
3	457258	1	Shroud
4	478693	1	Cap, Radiator
5		10	Screw, Pan Hd #10-24 x 3/8
6		12	Nut, Whiz 1/4-20
7	478689	1	Radiator
8	456412	2	Bracket
9	478684	4	Mount, Rubber
10		4	Washer, Lock #10
11	457203	1	Tube Weldment
12	457200	1	Shroud
13	025360	1	Decal Caution
14	030060	1	Decal, Hands Clear



FUEL TANK ASSEMBLY

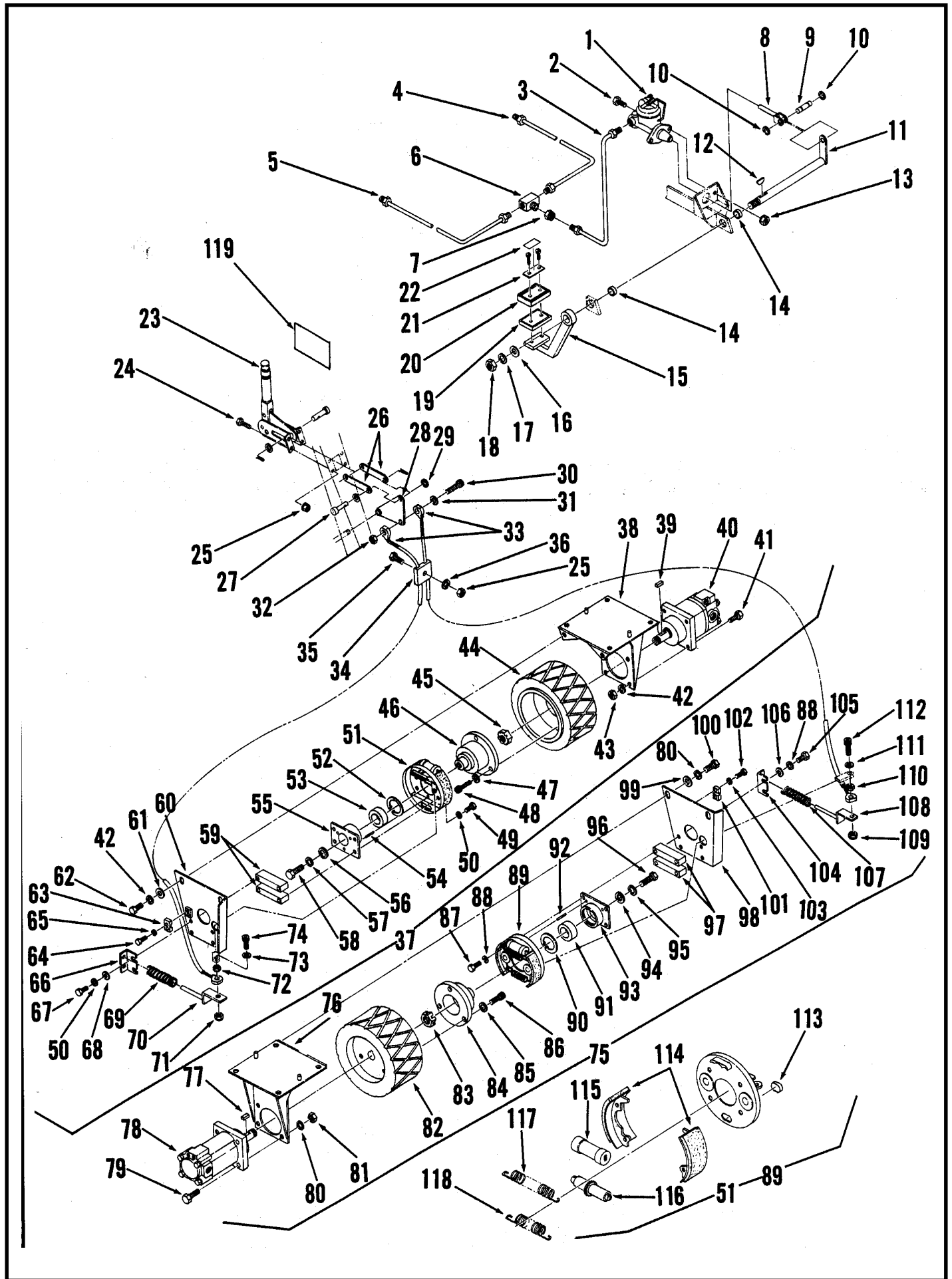
Item	Part No.	Qty	Description	Item	Part No.	Qty	Description
1	456508	1	Gasket	22	456542	1	Solenoid, Starter
2	456509	2	Stud	23	456541	1	Coil, Ignition
3	456507	1	Carburetor	24	478502	1	Cap, Fuel Tank
4	111309	1	Elbow 90°	25	456712	1	Tank, Fuel
5	456346	1	Filter, Fuel	26	478358	1	Sender, Fuel
6	456414	1	Tube	27	756364	4	Clamp, Hose
7	404274	1	Elbow Nut	28		1	Pump, Fuel
8	165263	1	Plug	29		2	Washer, Lock 5/16
9	457140	1	Bracket	30		2	Screw 5/16-18 x 1
10	112771	2	Clamp, Hose	31	477523	1	Barb
11	456427	1	Tube	32		1	Screw, Hex Hd 1/2-13 x 1-1/2 with Nut
12	403908	2	Pipe	33	111309	1	Elbow
13	456428	1	Elbow	34	478698	1	Sender, Oil
14	745540	1	Elbow	35		2	Nut, Flange 5/16-18
15	456421	1	Adapter	36	477575	1	Bar
16	456422	1	Washer	37	441511	1	Battery
17	456556	1	Shield, Oil	38	456392	1	Tray, Battery
18	478483	1	Alternator, Regulator	39	456390	1	Rod
19	480704	1	Filter, Engine Oil	40	456531	2	Screw to Starter, not shown
20	481452	1	Tube	41	456529	1	Cover, Starter, not shown
21	456527	1	Starter				





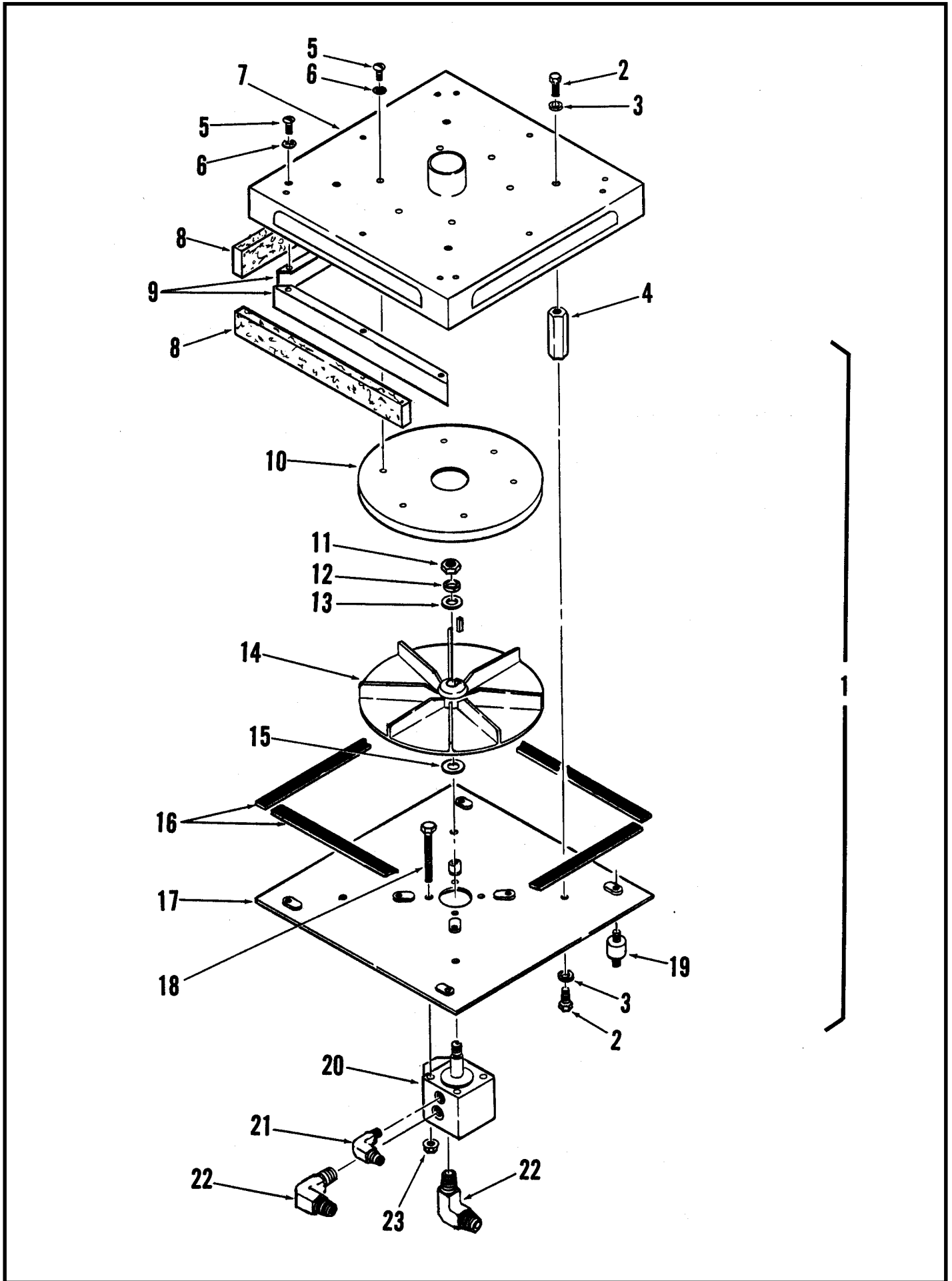
REAR WHEEL AND STEERING

Item	Part No.	Qty	Description	Item	Part No.	Qty	Description
	454108	1	Steering Idler Assembly	36	453521	2	Wheel 10 x 3.00 TSB 461 - G1
1	456873	1	Guard, Chain	37		2	Screw, Hex Hd 1/4-20 x 1/2
2		2	Nut, Hex 3/8-16	38	456875	1	Panel, Chain Guard
3		1	Screw, Hex Hd 3/8-16 x 2-1/2	39		6	Screw, Pan Hd #10-24 x 1/2
4		3	Washer, Flat 3/8	40	456871	1	Panel, Chain Guard
5	454118	1	Angle	41	454100	1	Chain, Steering
6	454121	1	Bracket	42	471148	1	Sprocket TSB 461 - G1
7		2	Washer, Shakeproof 5/16	43	124028	1	Key, Woodruff
8		2	Screw, Hex Hd 5/16-18 x 2-3/4	44		3	Screw, Set 5/16-18 x 5/16
9	454109	2	Pin	45	250414	3	Bearing
10	454079	1	Sprocket	46	367095	3	Collar, Shaft
11		4	Washer, Flat 1/2	47	454096	1	Shaft
12	366633	4	Bearing	48	454081	1	U-Joint
13		3	Screw, Pan Hd #10-24 x 3/8	49	454093	1	Shaft
14		3	Washer, Flat #10	50	159083	1	Key, Woodruff
15		9	Washer, Shakeproof #10	51	477773	1	Wheel, Steering TSB 649, F5
16	101737	2	Fitting, Grease	52	385358	1	Washer
	453500	1	Spindle Assembly	53		1	Washer, Shakeproof 3/8
17	454070	1	Sprocket	54		1	Nut, Hex 3/8
18	158135	1	Key	55	449774	1	Cap, Steering Wheel
19	445118	1	Link Off-Set	56	016754	1	Decal, Steering Wheel
20		3	Pin, Cotter 1/8 x 1-1/2				
21	110817	3	Nut, Castle				
22		3	Washer, Flat 7/8				
23	378380	1	Bearing				
24	344362	1	Fitting, Grease				
TSB	453525	1	Housing, Rear Wheel				
461		4	Screw, Hex Hd 1/2-13 x 1				
G1		4	Washer, Lock 1/2				
		4	Nut, Hex 1/2-13				
29	101370	1	Bearing				
30	103845	1	Seal, Shaft				
31	453538	1	Spindle TSB 461 - G1				
32	448169	4	Seal, Bearing				
33	448167	4	Spacer				
34	448171	4	Bearing, Tapered Roller				
35	101181	2	Washer				



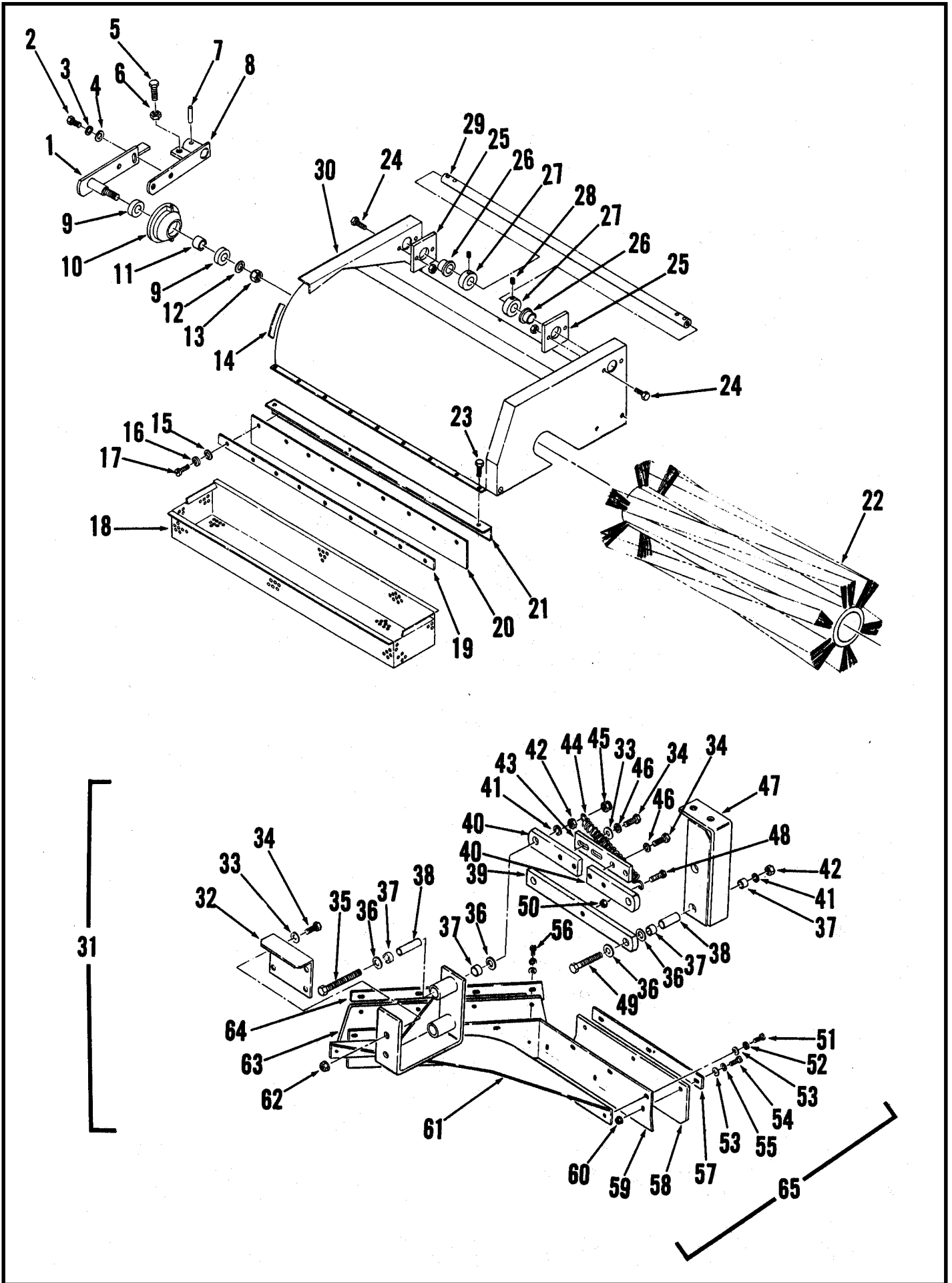
FRONT WHEEL ASSEMBLY

Item	Part No.	Qty	Description	Item	Part No.	Qty	Description
1	477828	1	Cylinder, Master	61	367214	2	Washer
2		2	Screw, Hex Hd 3/8-16 x 1	62		2	Screw, Hex Hd 1/2-13 x 1-1/4
3	456845	1	Tube Assembly	63	477844	1	Clamp
4	456841	1	Tube Assembly	64		2	Screw, Hex Hd 1/4-20 x 7/8
5	456843	1	Tube Assembly	65		2	Washer, Lock 1/4 Int Tooth
6	477832	1	Connector, Tee	66	455363	1	Bracket
7	477831	1	Connector	67		14	Screw, Hex Hd 5/16-18 x 5/8
8	477909	1	Rod Weldment	68		4	Washer, Flat 5/16 SAE
9	477902	1	Pin	69	373869	1	Spring
10	321427	2	Ring, Retaining	70	455371	1	Bracket Weldment
11	455347	1	Shaft Weldment	71		1	Nut Lock 1/4-20
12	124028	1	Key, Woodruff	72		1	Nut Hex Jam 1/4-20
13		2	Nut, Whiz 3/8-16	73		1	Washer, Flat 1/4 SAE
14	370878	2	Sleeve, Bearing	74		1	Screw, Soc. Hd 1/4-20 x 1-1/4
15	455341	1	Lever Weldment	75	455317	1	Wheel Assembly, Left
16	367214	1	Washer	76	455319	1	Bracket Weldment
17		1	Washer, Lock 1/2	77	477741	1	Key, Square
18		1	Nut, Hex 1/2-13	78	456902	1	Motor TSB 463 - F14
19	365083	1	Cup, Pedal	79		4	Screw, Hex Hd 1/2-13 x 1-3/4
20	365082	1	Pad, Rubber	80		6	Washer, Lock 1/2
21	365081	1	Plate	81		4	Nut, Hex 1/2
22	025122	1	Decal, Brake	82	455313	1	Tire Assembly
23	448200	1	Lever Assembly, Hand Brake		455311	1	Tire 14" X 8" X 5-1/2"
24		4	Screw, Hex Hd 5/16-18 x 5/8	83	477739	1	Nut, Slotted
25		5	Nut, Hex 5/16-18	84	455348	1	Jack Shaft
26	455361	2	Bar	85		3	Washer, Lock 5/16 High Collar
27	455357	1	Pin	86		3	Screw, Soc. Hd 5/16-18 x 3/4
28	455353	1	Lever Weldment	87		4	Screw, Hex Hd 5/16-18 x 1/2
29	321427	1	Ring, Retaining	88		8	Washer, Lock 5/16
30		1	Screw, Soc. Hd 1/4-20 x 1-1/4	89	477822	1	Stator Assembly, Left
31		1	Washer, Flat 1/4	90	456326	1	Ring, Retaining
32		1	Nut, Lock 1/4-20	91	372773	1	Bearing
33	455307	2	Cable Assembly	92		3	Pin, Spring 1/4 x 3/4
34	455359	1	Clamp	93	455340	1	Bracket Weldment
35		1	Screw, Hex Hd 5/16-18 x 1-3/8	94	244832	1	Washer
36		1	Washer, Lock 5/16	95		1	Washer, Lock 3/8
37	455315	1	Wheel Assembly, Right	96		1	Screw, Hex Hd 3/8-16 x 5/8
38	455319	1	Bracket Weldment	97	455339	2	Bar
39	477741	1	Key, Square	98	455335	1	Bracket Weldment
40	457728	1	Motor	99	367214	2	Washer
41		4	Screw, Hex Hd 1/2-13 x 1-3/4	100		2	Screw, Hex Hd 1/2-13 x 1-1/4
42		6	Washer, Lock 1/2	101	477884	1	Clamp
43		4	Nut, Hex 1/2	102		2	Screw, Hex Hd 1/4-20 x 7/8
44	455313	1	Tire Assembly	103		2	Washer, Lock 1/4 Int. Tooth
	455311	1	Tire 14" X 8" X 5-1/2"	104	455363	1	Bracket
45	477739	1	Nut, Slotted	105		4	Screw, Hex Hd 5/16-18 x 5/8
46	455348	1	Jack Shaft	106		4	Washer, Flat 5/16 SAE
47		3	Washer, Lock 5/16 High Collar	107	373869	1	Spring
48		3	Screw, Soc. Hd 5/16-18 x 3/4	108	455371	1	Bracket Weldment
49		4	Screw, Hex Hd 5/16-18 x 1/2	109		1	Nut, Lock 1/4-20
50		8	Washer, Lock 5/16	110		1	Nut, Hex Jam 1/4-20
51	477819	1	Stator Assembly, Right	111		1	Washer, Flat 1/4 SAE
52	456326	1	Ring, Retaining	112		1	Screw, Soc. Hd 1/4-20 x 1-1/4
53	372773	1	Bearing	113	480400	1	Plug, Hole
54		3	Pin, Spring 1/4 x 3/4	114	477838	2	Shoe Assembly, Brake (2 per Wheel)
55	455340	1	Bracket, Weldment	115	480378	1	Wheel Cylinder, Right
56	244832	1	Washer		480380	1	Wheel Cylinder, Left
57		1	Washer, Lock 3/8		480398	1	Adjuster Assembly
58		1	Screw, Hex Hd 3/8-16 x 5/8		480394	1	Spring, Shoe Return
59	455339	2	Bar		480396	1	Spring, Adjuster
60	455329	1	Bracket Weldment		029494	1	Decal, Brake



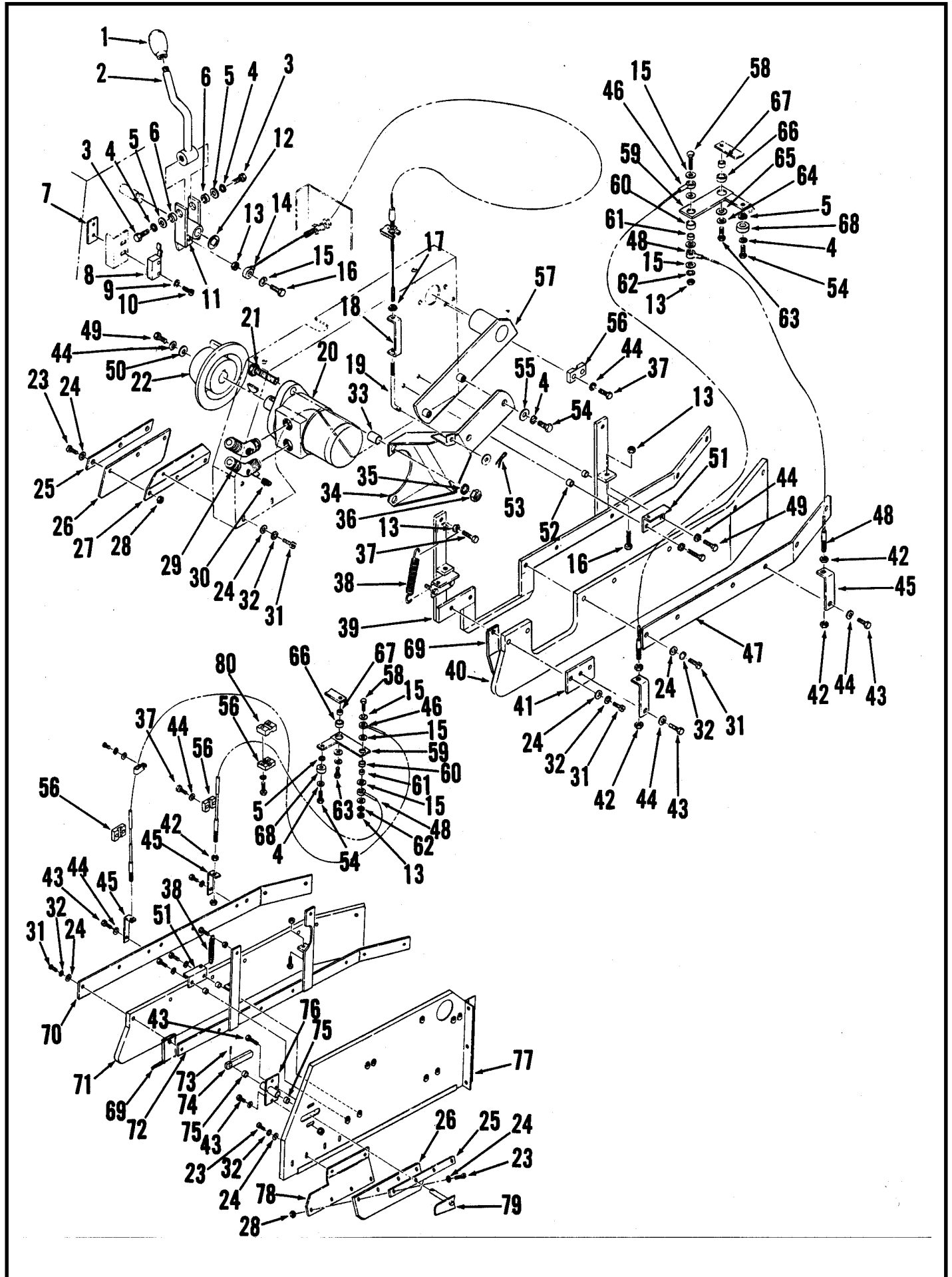
IMPELLER ASSEMBLY

Item	Part No.	Qty	Description
1	456969	1	Impeller Assembly
2		8	Screw, Hex Hd 1/4-20 x 1/2
3		8	Washer, Lock 1/4
4	457339	4	Spacer, Hex
5		18	Screw, Pan Hd #10-24 x 3/8 HP-5
6		18	Washer, Shakeproof #10
7	457231	1	Housing
8	457237	4	Foam Acoustical
3	457217	4	Plate
10	457257	1	Ring
11		1	Nut, Hex 5/16-24
12		1	Washer, Lock 5/16
13		1	Washer, Flat 5/16
14	457235	1	Impeller
15		1	Washer, Flat 3/8 SAE
16	300314	58"	Gasket, RS 3/16 x 1/2
17	457234	1	Plate, Motor Mount
18		4	Screw, Hex Hd 5/16-18 x 3-1/4
19	478684	4	Mount, Rubber
20	457705	1	Motor, Impeller
	457709	1	Seal Kit for Motor
21	456983	1	Elbow, Male
22	456981	2	Elbow, Male
23		4	Nut, Whiz 5/16-18



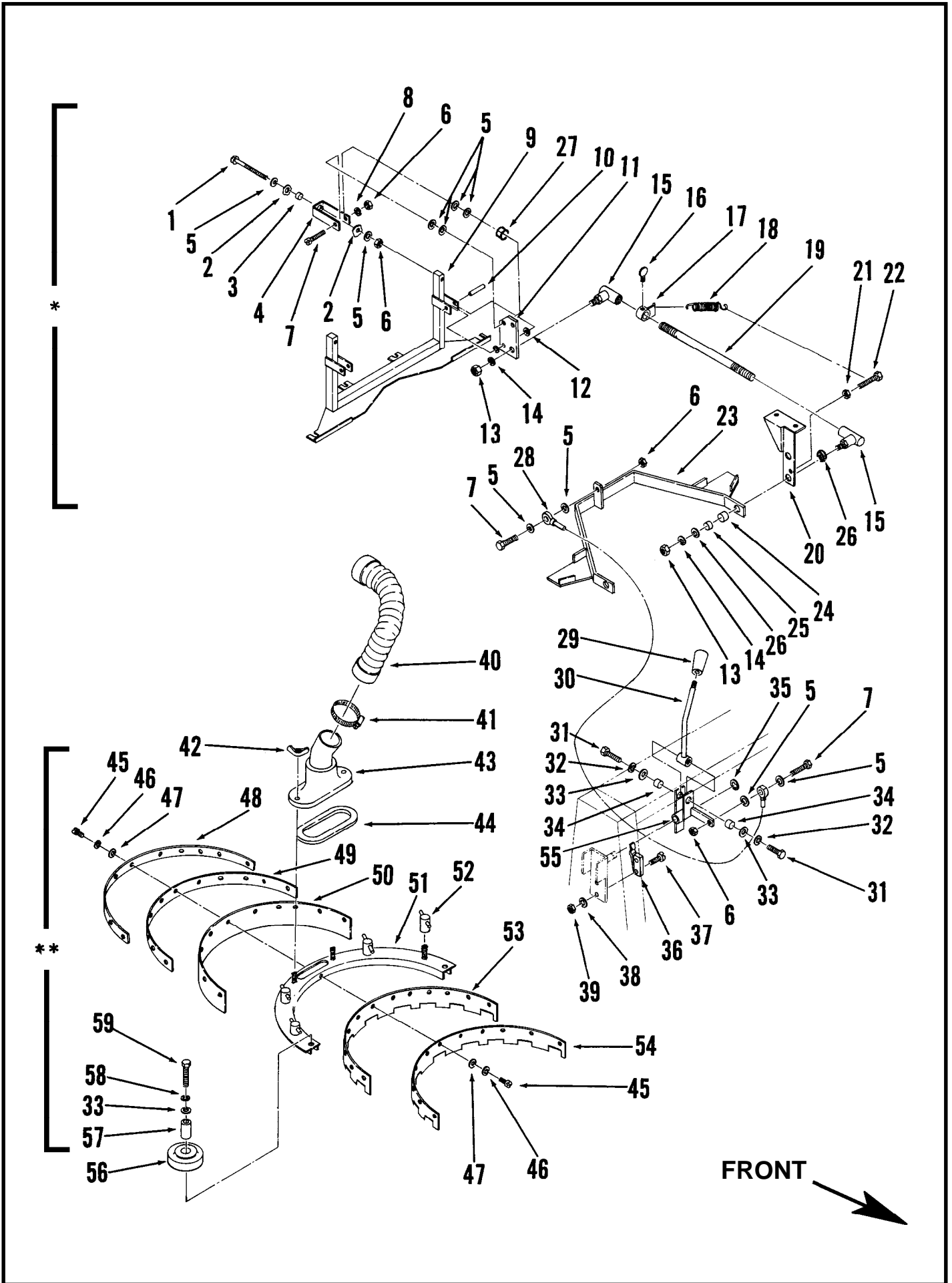
BROOM HOUSING AND FRONT BLADE

Item	Part No.	Qty	Description	Item	Part No.	Qty	Description
1	453750	1	Arm	49		3	Screw, Hex Hd 3/8-16 x 2-3/4
2		2	Screw, Hex Hd 5/16-18 x 1/2	50		1	Nut, Jam 1/4-20
3		10	Washer, Shakeproof 5/16	51	209491	7	Screw S.S. #10-24 x 5/8
4	152781	1	Washer	52		8	Washer, Lock #10
5		1	Screw, Hex Hd 3/8-16 x 1	53		15	Washer, Flat #10
6		1	Nut, Hex 3/8-16	54	209486	3	Screw Pan Hd #10-24 x 3/4
7		1	Pin, Spring 5/16 x 1-1/2	55		7	Washer, Shakeproof #10
8	453742	1	Lever	56	209527	4	Screw Pan Hd #10-24 x 1-1/4
9	479430	2	Bearing, Ball	57	456218	1	Strap
10	470636	1	Lug, Idler	58	456224	2	Blade
11	470728	1	Bushing 1 x 1.2 x .90	59	456202	1	Skirt Plate, Left
12		1	Washer, Flat 3/4 with Shakeproof Washer		456208	1	Skirt Plate, Right
13		1	Nut, Hex 3/4-10	60		7	Nut, Whiz #10-24
14	472091	1	Gasket 3/8 x 3/8 x 18-1/2	61	456652	1	Bracket, Left
15		10	Washer, Flat #10 S.S.		456655	1	Bracket, Right
16		10	Washer, Shakeproof #10	62		2	Nut, Flange 5/16-18
17	209485	8	Screw, Pan Hd #10-24 x 1/2	63	456220	2	Blade
18	453575	1	Hopper	64	456210	1	Strap
19	453718	1	Strap	65	456200	1	Skirt Assembly, Left
20	453619	1	Skirt, Front		456206	1	Skirt Assembly, Right
21	453723	1	Angle		456248	A/R	Side Skirt Blade Kit
22	453609	1	Broom, Main				(#58, 63 & wear strip
23		2	Screw Hex Hd 1/4-20 x 3/8 with Shakeproof Washer				PN456222 / not shown)
24		4	Screw Hex Hd 5/16-18 x 7/8 with Nut				
25	479273	2	Pillow Block				
26	444944	2	Bearing, Flange 1.00				
27	444820	2	Collar				
28		4	Screw, Set 5/16-18 x 5/16				
29	455251	1	Shaft				
30	453700	1	Broom Housing				
31	456670	1	Blade Assembly, Left Front c/o				
	456673	1	Blade Assembly, Right Front (not shown)				
32	456676	1	Angle				
33		4	Washer, Flat 5/16				
34		6	Screw, Hex Hd 5/16-18 x 3/4				
35		1	Screw, Hex Hd 3/8-16 x 3.50				
36		12	Washer, Flat 3/8 SAE				
37	453832	8	Bearing .51 x .62 x .37				
38	456678	4	Bushing .39 x .50 x 1.78				
39	456256	1	Bar				
40	456252	2	Strap				
41		4	Washer, Lock 3/8				
42		4	Nut, Hex 3/8-16				
43	456254	1	Strap				
44	370355	1	Spring, Extension				
45	481708	1	Nut, Lock 3/8-16				
46		4	Washer, Lock 5/16				
47	456637	1	Bracket, Left				
	456640	1	Bracket, Right				
48		1	Screw, Hex Hd 1/4-20 x 1 with Hex Nut				



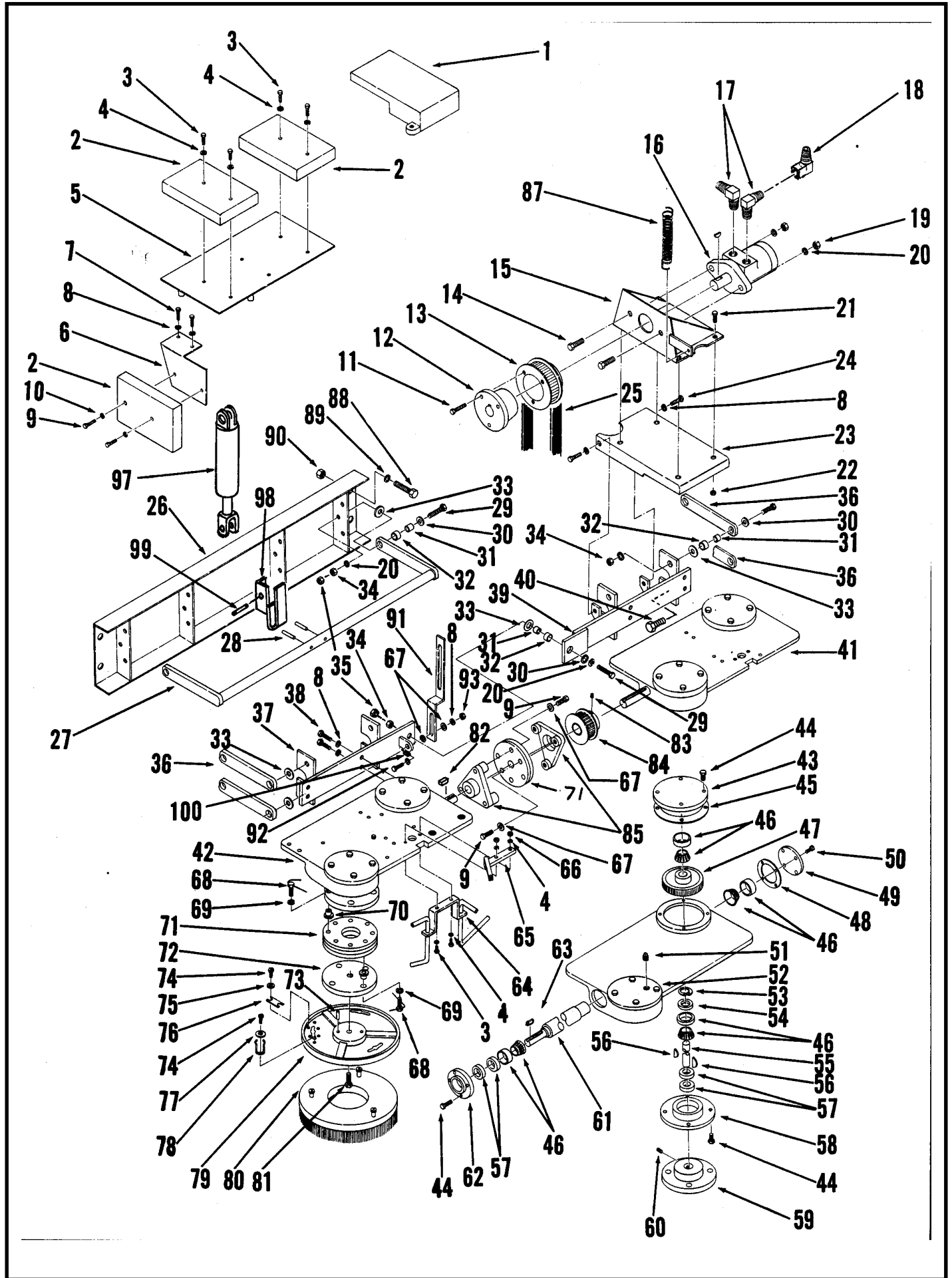
MAIN BROOM AND RELATED PARTS

Item	Part No.	Qty	Description	Item	Part No.	Qty	Description
1	364527	1	Knob	42		4	Nut, Hex 5/16-18
2	455640	1	Handle, Broom Lift	43		6	Screw, Hex Hd 1/4-20 x 1/2
3		2	Screw, Hex Hd 5/16-18 x 1/2	44		10	Washer, Lock 1/4
4		4	Washer, Lock 5/16	45	453831	4	Linkage
5		3	Washer, Flat 5/16	46	453845	2	Cable Assembly
6	320595	2	Bushing	47	453826	1	Strap TSB 457 - G3
7	385747	1	Plate, Nut	48	468460	2	Cable Assembly
8	171225	1	Switch	49		5	Screw, Hex Hd 1/4-20 x 3/4
9		2	Washer, Shakeproof #6	50	159387	1	Washer, Brass .265 x 1.25
10		2	Screw, Pan Hd #6-32 x 1	51	453687	4	Strap
11	455632	1	Lever, Broom Lift	52	453691	4	Spacer
12	477775	1	Ring, Retaining	53		1	Pin, Cotter 1/16 Dia.
13		6	Nut, Hex 1/4-20	54		4	Screw, Hex Hd 5/16-18 x 3/4
14	454150	1	Cable Assembly, Broom Lift	55	152781	2	Washer .343 x .92 x .12
15		10	Washer, Flat 1/4	56	477884	8	Clamp, Cable
16		4	Screw, Hex Hd 1/4-20 x 1	57	455249	1	Lever
17		1	Nut, Hex Flange #10-24	58		2	Screw, Hex Hd 1/4-20 x 1-1/2
18	454152	1	Turn Buckle	59	453703	2	Lever
19	350079	1	Rod, Linkage	60	368970	2	Bearing, Oilite .37
20	457728	1	Motor, Hydraulic	61	453849	2	Bushing .26 x .37 x .28
21		2	Bolt, Hex Hd 1/2-13 x 2	62		2	Washer, Shakeproof 1/4
22	455237	1	Lug, Idler	63		2	Bolt, Hex Hd 1/2-13 x 3/4
23	209485	15	Screw S.S. #10-24 x 1/2	64		2	Washer, Lock 1/2
24		19	Washer, Flat #10	65	367214	2	Washer
25	453862	2	Strap TSB 457 - G3	66	478781	2	Bearing, Sleeve
26	453865	2	Blade TSB 457 - G3	67	365030	2	Bushing
27	453856	1	Plate TSB 457 - G3	68	228051	2	Bearing, Ball TSB 630 - F6
28		8	Whiz Nut #10-24	69	453802	2	Tab
29	457732	2	Elbow 45° ST Thread	70	453685	1	Strap TSB 457 - G3
30	481546	2	Plug 1/8-27 NPT	71	453606	1	Blade TSB 457 - G3
31	209487	12	Screw, S.S. #10-24 x 7/8	72	453681	1	Strap TSB 457 - G3
32		12	Washer, Shakeproof #10	73		1	Spring Pin 1/8 x 3/4
33	367486	2	Bushing .50 x .62 x .78	74	479371	1	Handle
34	455239	1	Bracket, Motor Mounting	75	368 970	2	Bearing, Sleeve
35		2	Washer, Lock 1/2	76	453 680	1	Bracket
36		2	Nut, Hex 1/2-13	77	453 676	1	Door
37		2	Screw, Hex Hd 1/4-20 x 7/8	78	453 854	1	Plate
38	370746	2	Spring, Extension	79	453 690	1	Latch, Handle
39	457807	1	Strap TSB 457 - G3	80	453843	2	Clamp, Cable
40	453822	1	Blade TSB 457 - G3				
41	453829	1	Strap TSB 457 - G3				



SQUEEGEE TOOL AND LIFTER

Item	Part No.	Qty	Description	Item	Part No.	Qty	Description
*	456781	1	Squeegee Lifter Assembly	35	478775	1	Ring, Retaining
1		2	Screw, Rd Hd 1/4-20 x 2-1/4	36	171225	1	Switch, Snap SPST
2	163880	4	Washer, Spring	37		2	Screw, Rd Hd #6-32 x 1
3	206784	2	Bushing	38		2	Washer, Lock #6
4	454285	2	Yoke	39		2	Nut, Hex #6-32
5		16	Washer, Flat 1/4 SAE	40	330090	1	Hose TSB 360, G-10
6		6	Nut, Hex 1/4-20	41	440213	1	Clamp, Hose
7		4	Screw, Rd Hd 1/4-20 x 1-1/2	42	201677	2	Nut, Wing 1/4-20 w/Flat Washer
8		2	Washer, Lock 1/4	43	454223	1	Adapter, Vacuum Hose
9	454290	1	Mount, Squeegee	44	454224	1	Gasket
10	469872	2	Pin, Spring 1/4 x 1	45	209486	26	Screw S.S. Pan Hd #10-24 x 3/4
11	454288	2	Plate	46		26	Washer Int. Star #10
12	150142	4	Washer	47		26	Washer, Flat #10
13		12	Nut, Jam 1/2-20	48	455604	1	Strap
14		8	Washer, Lock 1/2 Int. Tooth	49	454215	1	Blade
15	477772	8	Ball Joint	50	454209	1	Main Blade (standard)
16	754374	2	Screw, Thumb		454210	1	Main Blade (oil resistant)
17	454276	2	Collar	51	455580	1	Tool, Squeegee
18	448112	2	Spring, Extension	52	370711	4	Screw, Thumb
19	454273	4	Rod	53	455608	1	Front Blade (standard)
20	456783	2	Bracket		455616	1	Front Blade (oil resistant)
21		2	Screw, Hex Hd 1/4-20 x 1	54	455606	1	Wear Strip
22		2	Nut, Jam 1/4-20	55	454136	1	Lever, Squeegee Lift
23	454305	1	Lifter	56	386127	2	Wheel 3.00 x 1.25
24	370878	2	Sleeve, Bearing	57	454249	2	Bushing
25	360627	2	Bushing	58		2	Washer, Lock 5/16
26	367214	4	Washer	59		2	Screw, Hex Hd 5/16-18 x 2
27	366862	2	Bushing	**	455575	1	Squeegee Assembly
28	454175	1	Cable Assembly				TSB 427, G-5
29	364527	1	Knob				Auto Squeegee Lift
30	455666	1	Handle, Squeegee Lift				
31		2	Screw, Hex Hd 5/16-18 x 1/2		455630	1	Standard Blade Kit
32		2	Washer, Lock 5/16 Int Tooth				(gum rubber / #49, 50, 53, 54)
33		6	Washer, Flat 5/16		455620	1	Oil Resistant Blade Kit
34	320595	2	Bushing				(urethane / #49, 50, 53, 54)

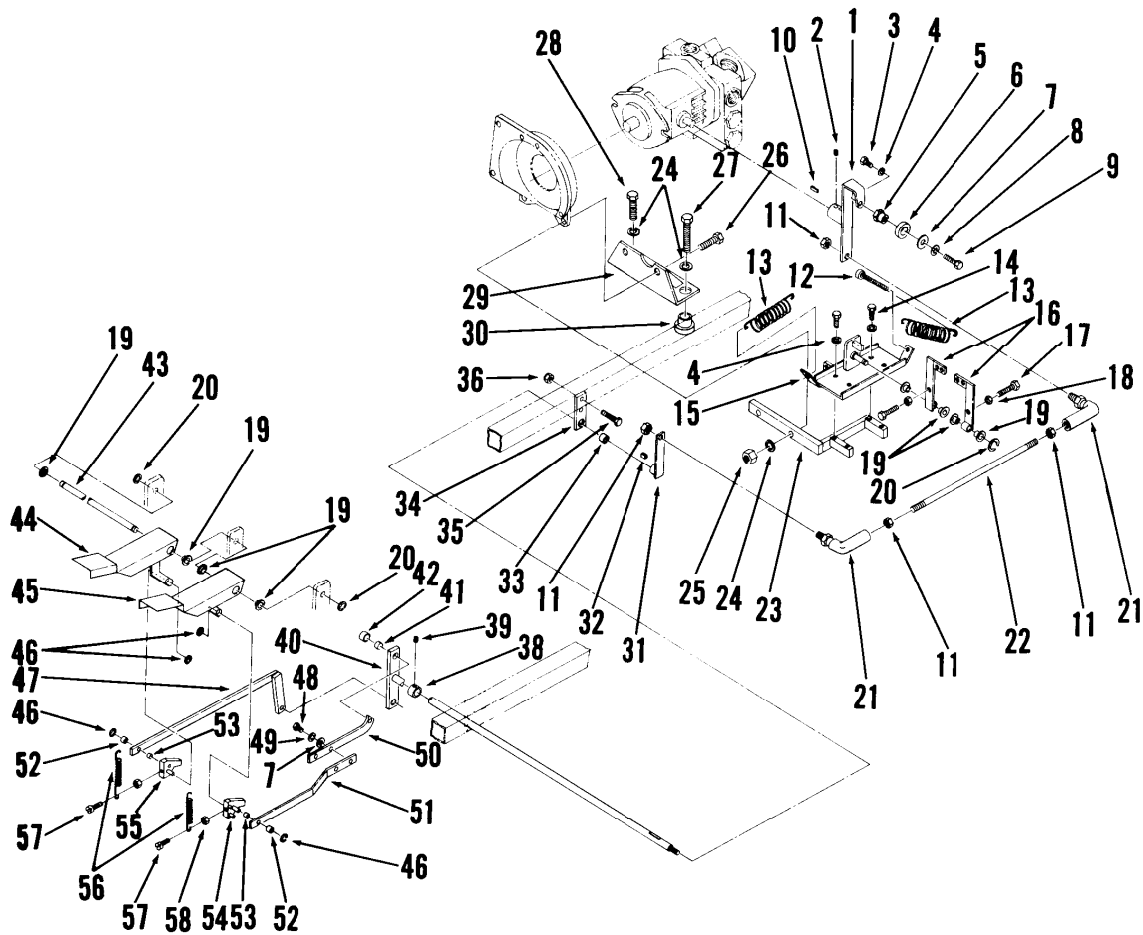


BRUSH DRIVE ASSEMBLY

Item	Part No.	Qty	Description	Item	Part No.	Qty	Description
	455450	1	Brush Drive Assembly	49	550920	2	Cap
1	455462	1	Weight	50		4	Screw, Flat Hd 1/4-20 x 1/2
2	453907	3	Weight	51	366269	2	Plug
3		6	Screw, Hex Hd 1/4-20 x 1-1/4	52	366188	2	Cap
4		12	Washer, Lock 1/4	53	366358	8	Retaining Ring
5	456815	1	Bracket	54	366315	4	Spacer
6	453900	1	Bracket	55	366307	4	Shaft TSB611, F-7
7		8	Screw, Hex Hd 3/8-16 x 1-1/2	56	366366	8	Key, Woodruff
8		12	Washer, Lock 3/8	57	366331	12	Seal
9		2	Screw, Hex Hd 5/16-18 x 1-1/4	58	366218	4	Cap
10		2	Washer, Lock 5/16	59	453861	4	Coupler
11		3	Screw, Hex Hd 3/8-16 x 1-1/4	60		4	Screw, Set 3/8-16 x 1/2
12	455458	1	Bushing, Split Taper	61	453858	2	Shaft
13	455455	1	Pulley	62	366129	2	Cap
14	455542	2	Screw	63	455456	1	Key, Square
15	455530	1	Bracket	64	455517	2	Bracket, Pipe
16	457728	1	Motor, Main Broom	65	456809	1	Bracket
17	456989	2	Elbow M 90 3/4-16 with	66		2	Nut, Hex 1/4-20
	481546	2	Plug 1/8-27 NPT	67		14	Washer, Flat 3/8
18	456906	1	Elbow, Swivel Nut 90°	68	448271	24	Bolt, Hex 3/8 x 2
19		21	Nut, Hex 1/2-13				Washer, Lock 3/8 High Collar
20		21	Washer, Lock 1/2	70	448268	24	Bushing
21		4	Screw, Hex Hd 5/16-18 x 5/8	71	104647	14	Disc
22		4	Nut, Whiz 5/16-18	72	448263	4	Coupler, Lower
23	455569	1	Bracket	73	362077	8	Pin
24		2	Screw, Hex Hd 3/8-16 x 1/2	74		12	Screw, Pan Hd #10-24 x 3/8
25	455467	1	Belt, Sync 240H100	75		12	Washer, Shakeproof #10
26	455469	1	Bracket	76	366455	4	Plate
27	455492	1	Bar Weldment	77	151114	4	Washer
28		2	Pin, Spring 1/4 x 1-3/4	78	366463	4	Spring Retainer
29		17	Screw, Hex Hd 1/4-13 x 1-1/2	79	363189	4	Holder, Casting
30	367214	35	Washer	80	550690	2	Brush (Sets of 2)
31	367206	19	Bushing	81		4	Screw, Hex Hd 5/8-18 x 1-1/2
32	367168	19	Bushing Sleeve	82	443719	1	Key, Square
33	367192	19	Washer	83		2	Screw, Set 1/4-20 x 1/4
34		21	Nut, Hex 1/2-13	84	455454	1	Pulley
35	441236	19	Nut, Lock 1/2-13 Spring	85	455509	2	Universal Casting
36	453909	8	Bar, Parallel	86		10	Set Screw 5/16-18 x 5/16
37	455487	1	Bracket				(not shown)
38		8	Screen, Hex Hd 3/8-16 x 1	87	448119	1	Spring
39	455475	1	Bracket	88		4	Screw, Hex Hd 5/8-11 x 1-1/2
40		2	Screw, Hex Hd 1/2-13 x 2-1/2	89		4	Washer, Lock 5/8
41	453855	1	Gear Case Assy, Left TSB611, F-7	90		4	Nut, Hex 5/8-11
42	453850	1	Gear Case Assy, Right TSB611, F-7	91	456825	1	Link
43	366161	2	Cap	92		1	Screw, Hex Hd 3/8-16 x 3/4
44	366285	40	Screw	93		1	Nut, Hex 3/8-16
45	366684	A/R	Shim .002 Red	94	477625	2	Shim (not shown)
	366692	A/R	Shim .005 Blue	95		1	Screw, Hex Hd 5/16-18 x 2
	366706	A/R	Shim .015 Pink				(not shown)
46	366323	12	Bearing	96		1	Nut, Hex 5/16-18 (not shown)
47	366226	4	Worm Gear	97	449748	1	Cylinder, Gear Case
48	366714	A/R	Shim .002 Red	98	455548	1	Yoke Weldment
	366722	A/R	Shim .005 Blue	99	455570	1	Pin, Cylinder
	366730	A/R	Shim .015 Pink	100	368997	1	Bushing

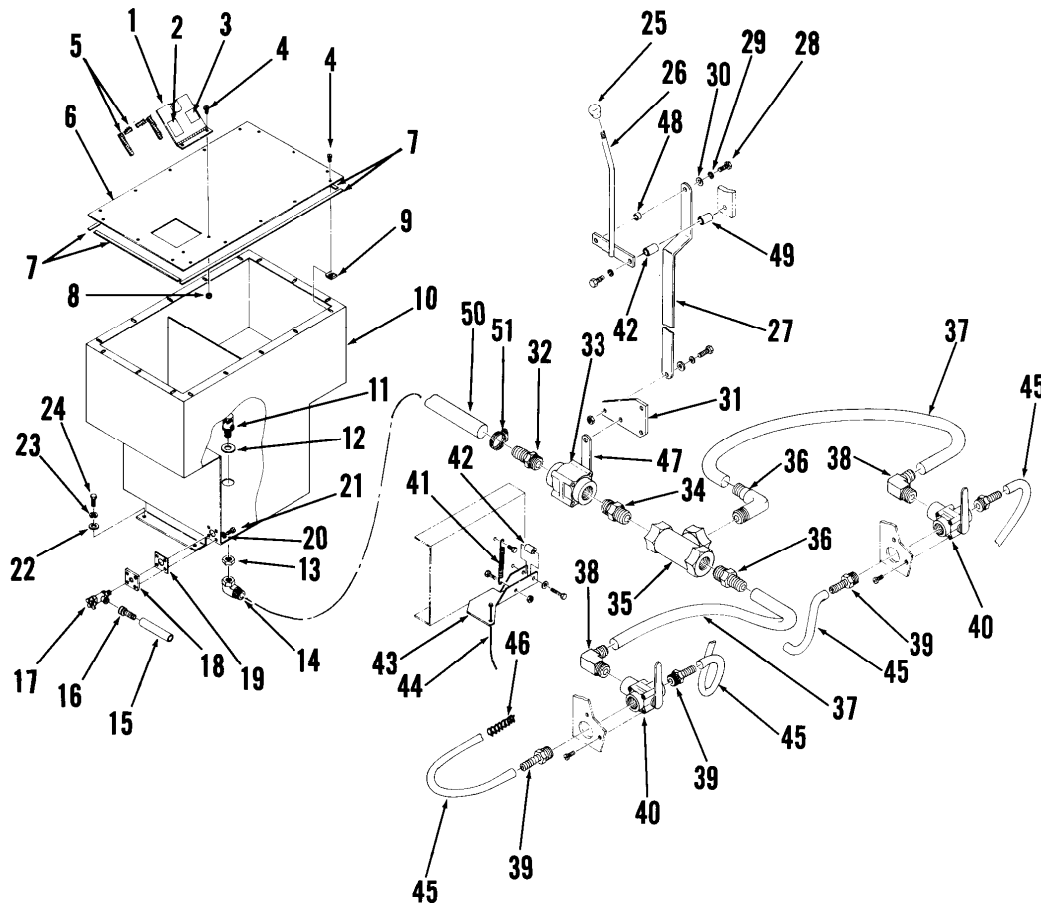
ACCELERATOR LINKAGE

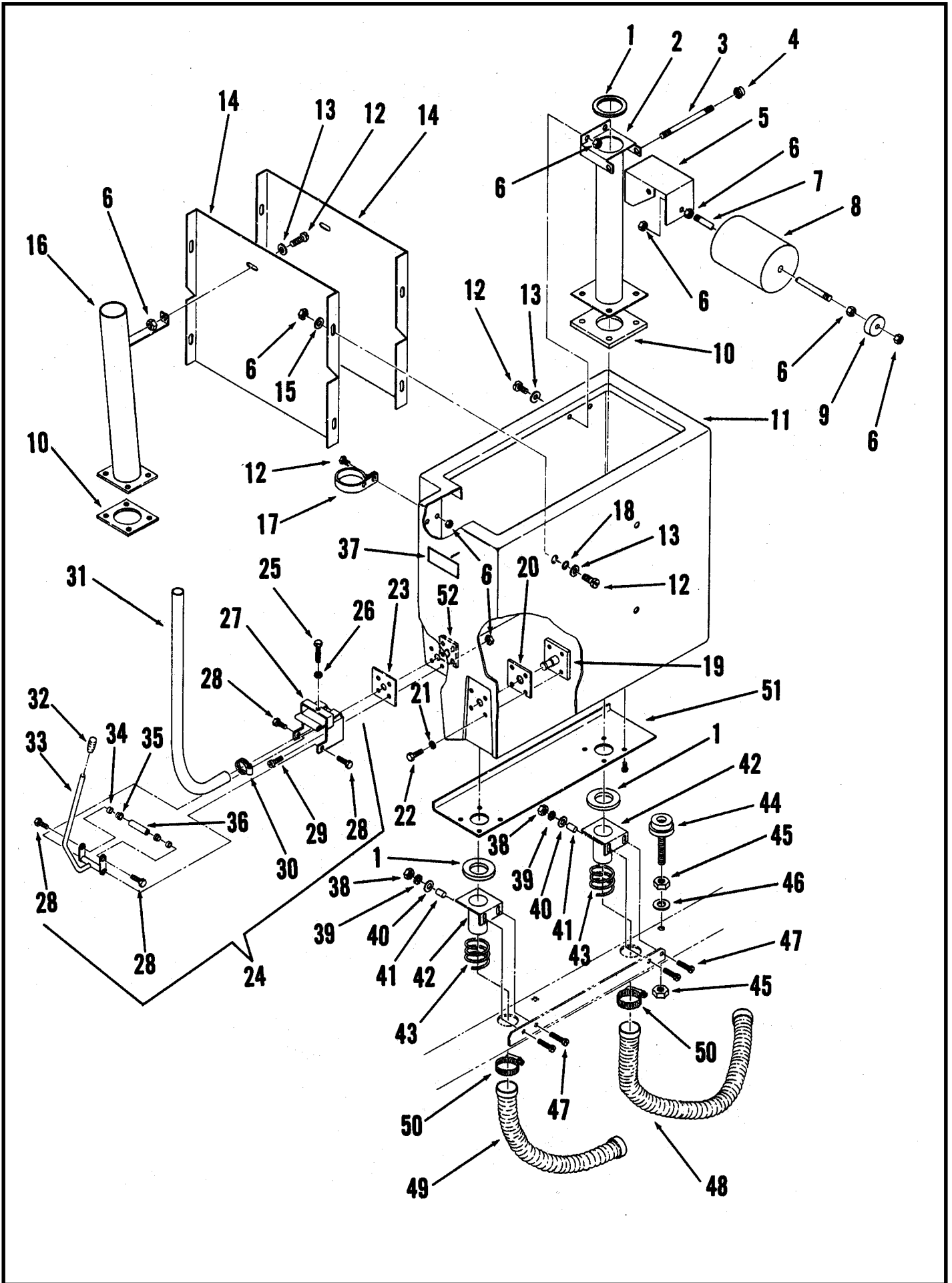
Item	Part No.	Qty	Description	Item	Part No.	Qty	Description
1	457119	1	Cam Arm Weldment	29	456354	1	Bracket, Mounting
2		1	Screw, Set 1/4-20 x 1/4	30	478685	2	Mount
3		1	Screw, Hex Hd 5/16-18 x 5/8	31	457125	1	Lever
4		5	Washer, Lock 1/4	32	124028	1	Key, Square
5	448057	1	Nut, Hex	33	370878	1	Bearing
6	372773	1	Bearing, Ball	34	457135	2	Bar
7		3	Washer, Flat 5/16	35		4	Screw, Hex Hd 5/16-18 x 3
8		1	Washer, Int Tooth 5/16	36		4	Nut with Lock 5/16-18
9		1	Screw, Hex Hd 5/16-18 x 1/2	38	367354	1	Collar, Shaft
10	456937	1	Key	40	457129	1	Lever Weldment
11		4	Nut, Hex 1/2-20	41	244941	2	Bushing
12	457176	1	Bolt, Eye	42	366633	2	Bearing Sleeve
13	456847	2	Spring	43	457159	1	Pin
14		4	Screw, Hex Hd 1/4-20 x 1/2	44	457161	1	Pedal, Right
15	457093	1	Bracket, Pivot	45	457163	1	Pedal, Left
16	457103	2	Arm	46	373797	4	Ring, Retaining
17		2	Screw, Hex Hd 5/16-24 x 1	47	457137	1	Linkage
18		2	Nut, Hex 5/16-24	48		2	Screw, Hex Hd 5/16-18 x 1
19	324505	8	Bearing, Flange	49		2	Washer, Lock 5/16
20	321427	3	Ring, Retaining	50	457143	1	Linkage
21	477772	2	Ball Joint	51	457145	1	Linkage
22	457117	1	Rod, Linkage	52	457138	2	Bearing Sleeve
23	457109	1	Bracket	53	320595	2	Bushing
24		4	Washer, Lock 1/2	54	457151	1	Stop Weldment, Left
25		2	Nut, Hex 1/2-13	55	457149	1	Stop Weldment, Right
26		2	Screw, Hex Hd 1/2-13 x 2	56	445177	2	Spring
27		1	Screw, Hex Hd 1/2-13 x 3	57		2	Screw, Pan Hd #10-24 x 3/4
28		1	Screw, Hex Hd 1/2-13 x 1-1/4	58		2	Nut, Hex #10-24



SOLUTION TANK

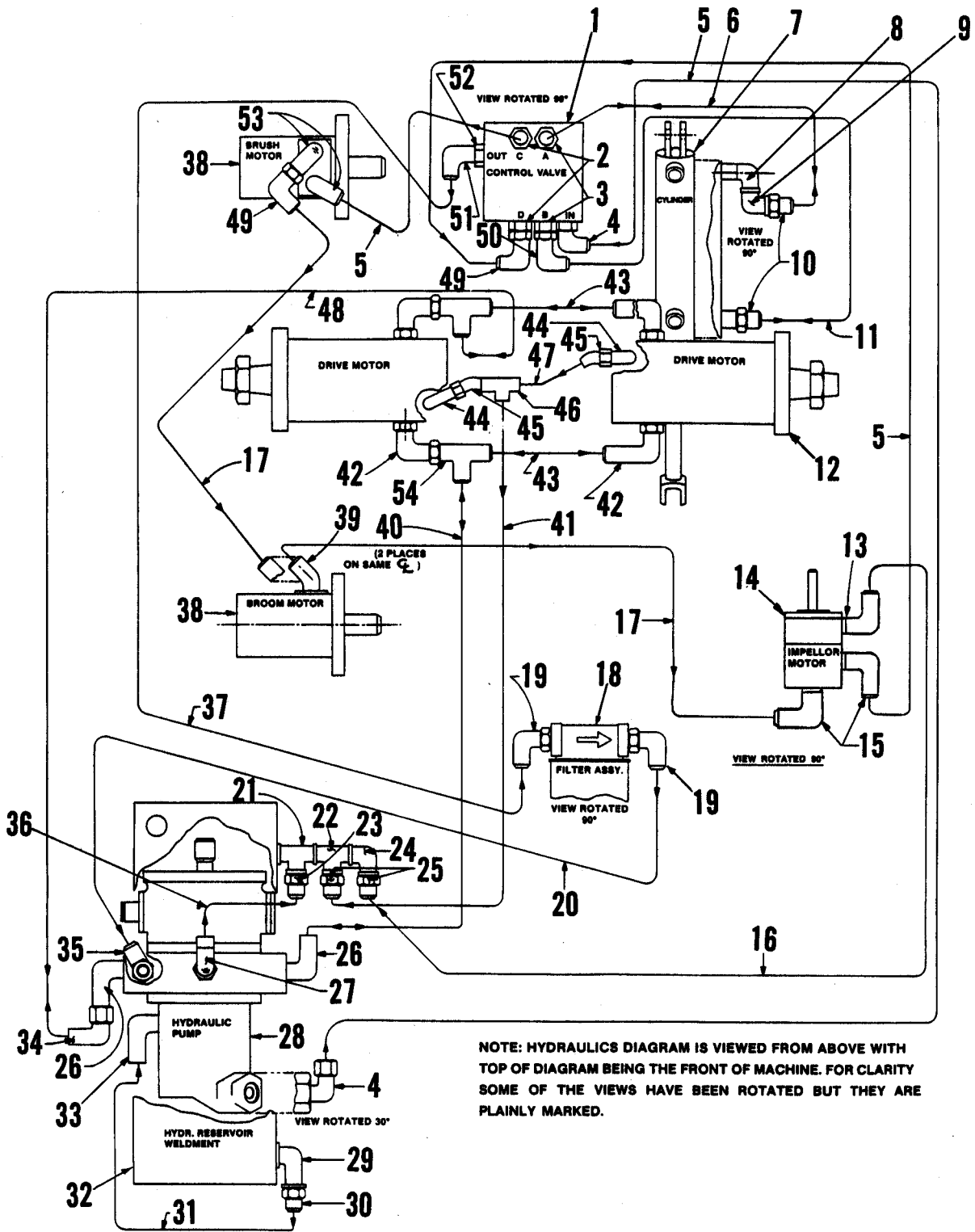
Item	Part No.	Qty	Description	Item	Part No.	Qty	Description
1	449897	1	Cover	27	456821	1	Linkage
2	016185	1	Decal, Low Suds	28		2	Screw, Hex Hd 1/4-20 x 1/2
3	016057	1	Decal, Fill	29		12	Washer, Lock 1/4
4	209488	18	Screw, Pan Hd #10-24 x 1/2	30		1	Washer, Flat 1/4
5	200754	1	Gasket 16"	31	456827	1	Lever
6	456745	1	Plate	32	456801	2	Hose Insert 3/4 NPT
7	331126	1	Gasket 8.5 Ft	33	454607	1	Valve Assembly
8		2	Nut, Whiz #10-24	34	456799	1	Nipple 3/4 NPT PVC
9	328855	16	Spring Nut	35	456803	1	Tee
10	456727	1	Tank, Solution	36	456802	1	Elbow, Combination
11	449868	1	Screen, Adapter	37	456835	2	Hose
12	449870	1	Washer, Fiber	38	244985	2	Barb
13	456748	1	Nut, Hex	39	749202	4	Barb
14	449879	1	Barb	40	454612	2	Valve, Flow Control
15	456749	1	Tube	41	245008	1	Spring
16	369160	1	Barb	42	471220	2	Bushing
17	369152	1	Valve	43	456807	1	Lever
18	368741	1	Plate	44	456805	1	Cable
19	368768	1	Gasket	45	456830	4	Tube 3/8 x 10.00
20	204218	4	Washer, Sealing	46	373792	4	Spring
21		4	Screw, Rd Hd Brass 1/4-20 x 5/8	47	454620	1	Handle
22		4	Washer, Flat 3/8	48	368997	3	Bushing
23		4	Washer, Lock 3/8	49	200972	1	Bushing
24		4	Screw, Hex Hd 3/8-16 x 7/8	50	456831	1	Hose
25	364527	1	Knob	51	496797	2	Clamp, Hose
26	455643	1	Lever Weldment				





RECOVERY TANK

Item	Part No.	Qty	Description
	457646	1	Recovery Tank Assembly
1	454253	3	Gasket
2	457312	1	Tube Weldment
3	454727	1	Rod
4		2	Cap Nut 1/4-20
5	454751	1	Baffle
6		19	Nut, Hex Brass 1/4-20
7	454724	1	Rod
8	385198	1	Float
9	454721	2	Weight
10	454709	2	Gasket
11	457644	1	Tank, Recovery
12	576520	13	Screw S.S. 1/4-20 x 7/8
13	454626	10	Washer .26 x 1.00 x .074
14	454752	2	Baffle
15		9	Washer, Flat 1/4 SAE
16	457318	1	Tube Weldment
17	330625	1	Clamp
18	204218	16	Washer, Sealing
19	454778	2	Hinge
20	454712	2	Gasket
21		8	Washer 3/8 SAE
22		8	Screw, Hex Hd 3/8-16 x 3/4
23	454706	1	Gasket
24	457342	1	Valve Assembly
25		1	Screw, Hex Hd 5/16-18 x 1-1/4
26		1	Nut, Hex 5/16-18
27	457322	1	Hose Bracket Weldment TSB 380 - G8
28		4	Screw, Hex Hd 1/4-20 x 3/4
29		12	Screw, Pan Hd Brass 1/4-20 x 3/4
30	329145	1	Clamp, Hose SAE 24
31	380712	1	Tube, Drain TSB 380 - G8
32	471193	1	Grip
33	457332	1	Bar Weldment
34	368989	4	Bushing
35	324505	4	Bearing, Flange
36	457325	1	Roller, Drain Valve
37	016396	1	Decal, Drain Valve
38		4	Nut, Hex #10-24
39		4	Washer, Lock #10
40		4	Washer, Flat #10
41	454275	4	Bushing .20 x .31 x .12
42	454262	2	Tube
43	454250	2	Spring
44	449221	2	Bumper
45		4	Nut, Hex 1/2-13
46		2	Washer, Flat 1/2
47		4	Screw, Pan Hd #10-24 x 3/4
48	456877	1	Hose (To Vacuum Fan)
49	330090	1	Hose (To Squeegee)
50	440213	4	Hose Clamp
51	457316	1	Plate
52	457313	1	Plate, Nut
53	016543	1	Decal, Advance (not shown)

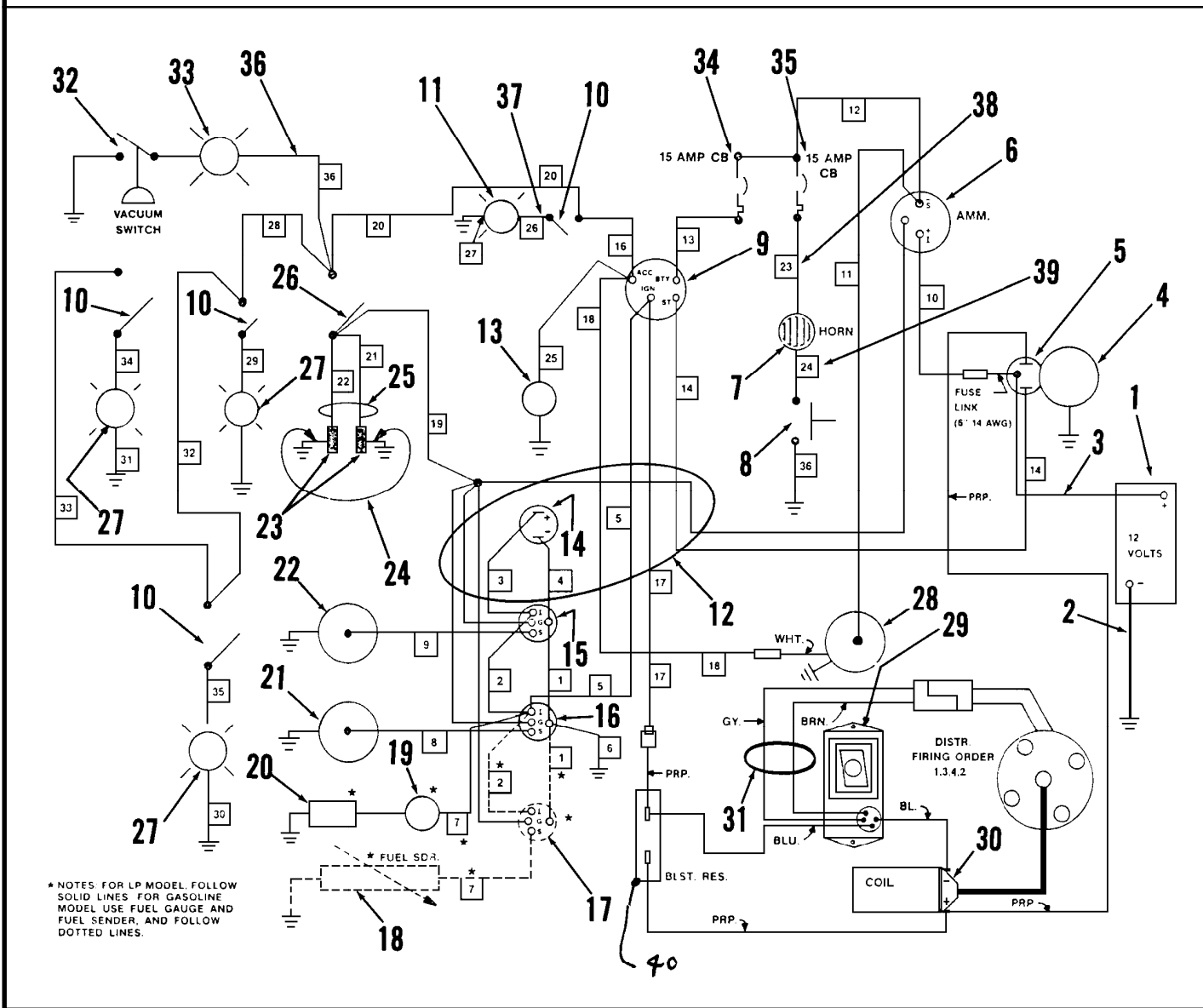


HYDRAULIC SCHEMATIC

Item	Part No.	Qty	Description
1	456975	1	Control Valve
2	456914	2	Adapter ST Thread
3	456912	2	Adapter ST Thread
4	456930	2	Elbow 90° 3/4-16
5	456925	3	Hose Assembly 5/8 x 44
6	456907	1	Hose Assembly 3/8 x 22
7	449748	1	Cylinder, Gear Case
8	456992	1	Street Elbow
9	456954	1	Street Elbow
10	456956	2	Adapter, Male
11	456957	1	Hose Assembly
12	456902	2	Motor, Drive TSB 463 - F14
13	456983	1	Elbow, Male
14	457705	1	Motor, Impeller
15	456981	2	Elbow, Male
16	456921	1	Hose Assembly 3/16 x 64
17	456901	2	Hose Assembly 1/2 x 60
18	456997	1	Filter Assembly TSB 343 - G11
19	481344	2	Elbow, Male
20	456913	1	Hose Assembly 3/4 x 35
21	479770	1	Tee
22	749316	1	Tee STR 1/2
23	456936	1	Adapter
24	479690	1	Elbow
25	456938	2	Adapter
26	456990	2	Elbow
27	456963	1	Elbow
28	456900	1	Pump, Hydraulic
29	479716	1	Elbow
30	456946	1	Adapter
31	456909	1	Hose Assembly 1.00 x 29
32	456750	1	Reservoir
33	456928	1	Elbow
34	456961	1	Elbow, Swivel Nut
35	456924	1	Elbow 90°
36	456911	1	Hose Assembly 3/4 x 21"
37	456915	1	Hose Assembly 3/4 x 38"
38	457728	2	Motor, Broom & Brush
39	457732	2	Elbow 45°
40	456923	1	Hose Assembly
41	456919	1	Hose Assembly
42	456920	4	Elbow 90°
43	456903	2	Hose Assembly
44	456951	2	Elbow, Street
45	456952	2	Elbow, Swivel Nut
46	456948	1	Tee, Swivel Nut
47	456917	1	Hose Assembly
48	456933	1	Hose Assembly
49	456906	2	Elbow, Swivel Nut
50	488631	1	Elbow, Swivel Nut
51	456959	1	Elbow 90°
52	456918	1	Adapter
53	456989	2	Elbow
54	456950	2	Tee, Swivel Nut

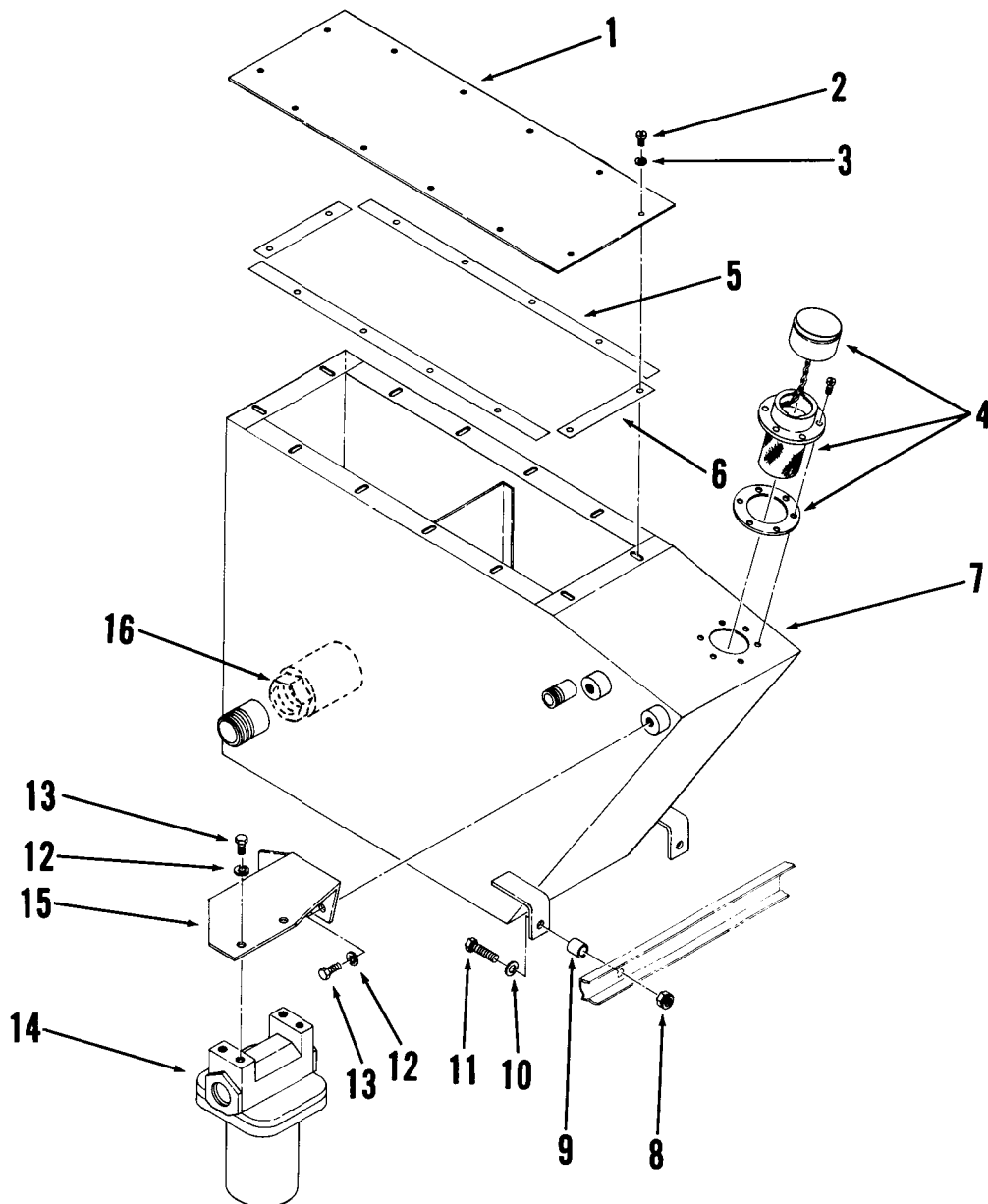
ELECTRICAL SCHEMATIC

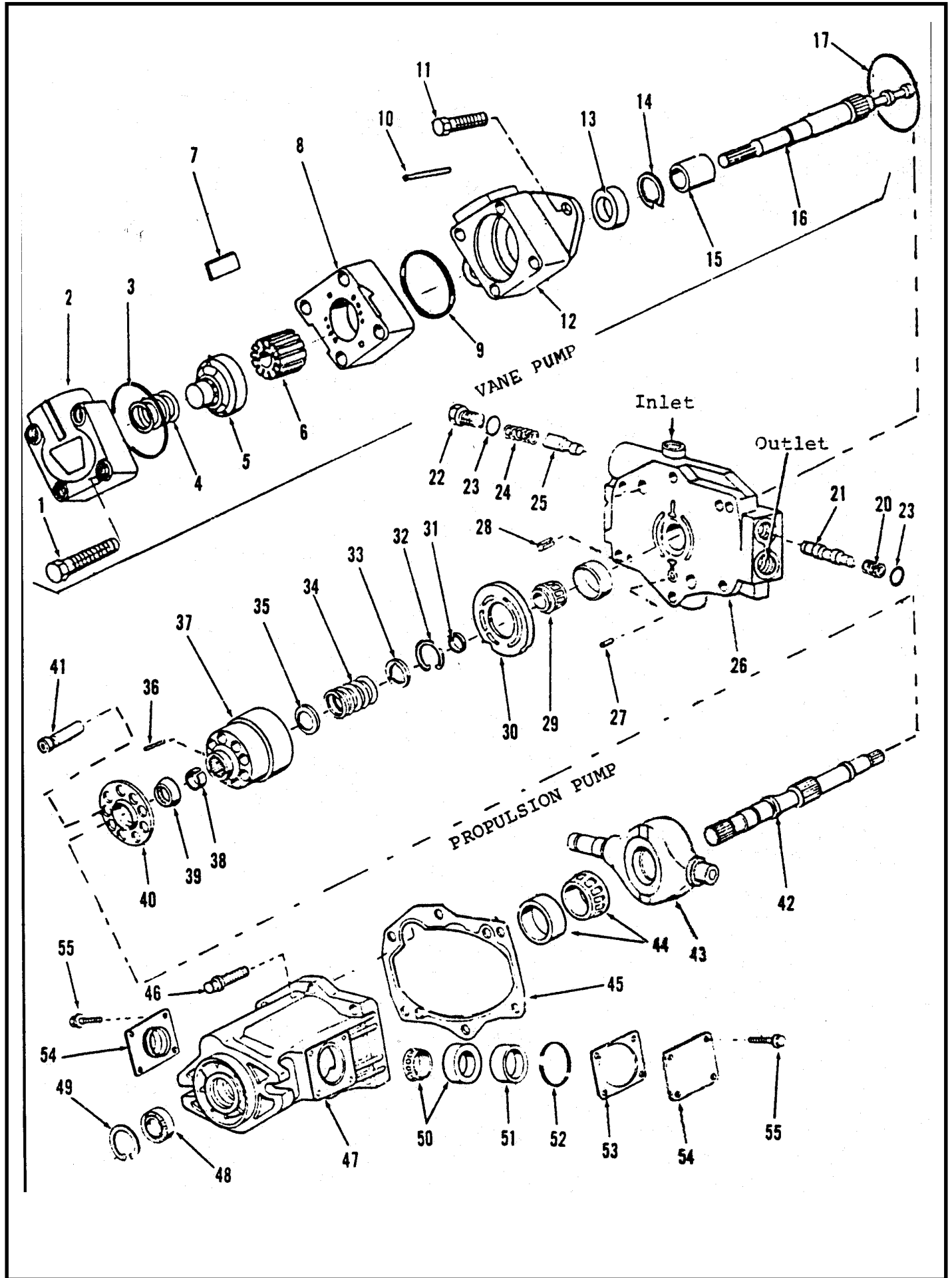
Item	Part No.	Qty	Description	Item	Part No.	Qty	Description
1	441511	1	Battery 12V	21	478698	1	Sender, Oil Pressure
2	456460	1	Cable Assembly, Battery, Neg	22	481888	1	Temperature Sender
3	456458	1	Cable Assembly, Battery, Pos	23	454528	2	Lamp, Head
4	456527	1	Starter	24	456448	2	Wire Assembly
5	456542	1	Solenoid, Starter	25	456462	1	Wire Harness
6	489590	1	Meter Amp	26	200340	1	Switch, Toggle
7	442054	1	Horn	27	456464	3	Light, Indicator
8	441555	1	Switch, Horn	28	478483	1	Alternator, Regulator
9	478640	1	Switch, Ignition	29	456543	1	Electronic Ignition Control Unit
10	171225	4	Switch, Snap SPST	30	456541	1	Coil, Ignition
11	456466	1	Light, Indicator, Squeegee	31	456547	1	Wire Harness
12	456470	1	Wire Harness	32	479112	1	Switch, Vacuum
13	489639	1	Light, Rotating TSB 603, F-10	33	456467	1	Light, Indicator
	489641	1	Lens for Rotating Light	34	456480	1	Circuit Breaker 15A
14	478361	1	Meter, Hour	35	456472	1	Circuit Breaker 15A
15	489581	1	Gauge, Water Temperature	36	456446	1	Wire Assembly #14 x 3.50
16	489587	1	Gauge, Oil Pressure	37	456454	1	Wire Assembly #14 x 4.50
17	489584	1	Gauge, Fuel Level	38	456452	1	Wire Assembly #14 x 8.25
18	478358	1	Fuel Sender	39	456450	1	Wire Assembly #14 x 23.50
19	456632	1	Switch, Vacuum (L.P. only)	40	456545	1	Ballast Resistor
20	456626	1	Valve, Solenoid (L.P. only)				



RESERVOIR TANK ASSEMBLY

Item	Part No.	Qty	Description	Item	Part No.	Qty	Description
1	456768	1	Cover	9	398618	2	Spacer
2		12	Screw, Pan Hd #10-24 x 3/8	10		2	Washer, Flat 5/16
3		12	Washer, Shakeproof #10	11		2	Screw, 5/16-18 x 1-3/8
4	479656	1	Filler Cap	12		4	Washer, Shakeproof 3/8
5			replaced by #6	13		4	Screw, Hex Hd 3/8-16 x 1/2
6	459407	1	Gasket	14	456997	1	Filter, Oil TSB 343 - G11
7	456750	1	Tank, Reservoir	15	456774	1	Bracket
8		2	Nut, Whiz 5/16-18	16	479654	1	Strainer





PUMP ASSEMBLY

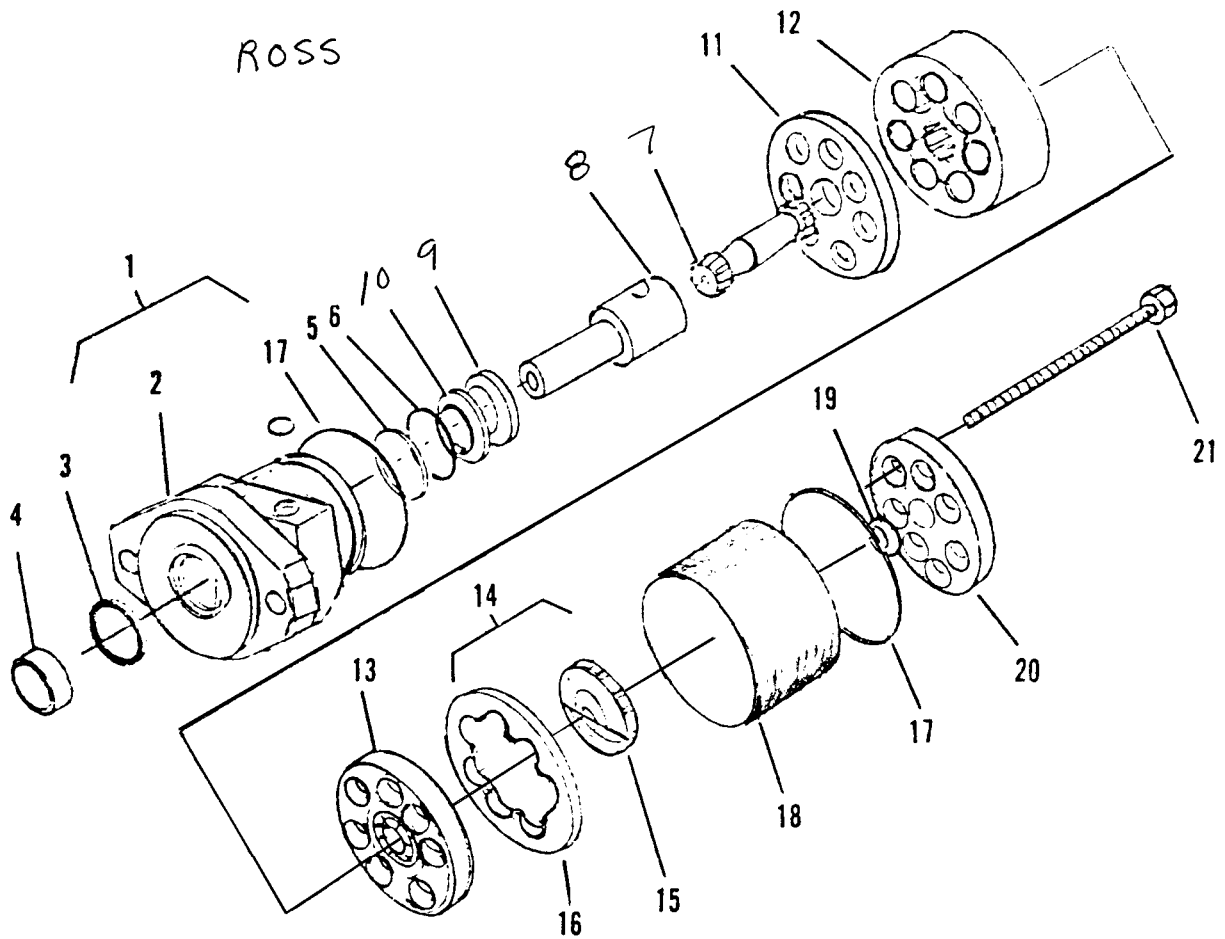
Item	Part No.	Qty	Description	Item	Part No.	Qty	Description
1		4	Screw, Cap **	40		1	Shoe Plate
2		1	Cover	41		1	Piston Shoe Kit
*3		1	O-Ring	42		1	Shaft #2
4		1	Spring	43	456892	1	Yoke
5		1	Plate, Pressure	44		1	Bearing
6		1	Rotor	*45		1	Gasket
7		1	Vane Kit (12 Vanes)	46		6	Screw **
8		1	Ring	47		1	Housing, Pump
*9		1	O-Ring	48		1	Seal, Shaft
10		2	Pin	49		1	Ring, Retaining
11		2	Screw	50		2	Bearing
12		1	Body, Vane Pump	51		2	Spacer, Bearing
13		1	Seal, Shaft	52		2	O-Ring
14		1	Ring, Retaining	53	456896	1	Shim Kit
15		1	Coupling	54		1	Cover, Pintle R.H.
16		1	Shaft			1	Cover, Pintle L.H.
*17		1	O-Ring	55		4	Screw **
18		1	Plug **				
19		1	Spring (Green)	*	456898	1	Seal Kit
20		1	Spring		456886	1	Vane Pump
21		2	Relief Valve Kit		488880	1	Propulsion Pump
22		2	Plug **				
*23		2	O-Ring				
24		1	Spring				
25		1	Poppet (Red)				
26		1	Valve Block				
27		1	Pin				
28		2	Pin				
29		1	Bearing				
30	456890	1	Plate, Wafer	1			40 lb. ft.
31	156894	1	Spacer, Bearing	18			128 - 148 lb. ft.
32	456888	1	Rotating Group (32-41)	22			128 - 148 lb. ft.
33		1	Ring, Retaining	46			23 - 26 lb. ft.
34		1	Spring (Green)	55			170 - 190 lb. ft.
35		1	Washer, Spring				
36		3	Pin				
37		1	Cylinder Block				
38		1	Pin, Retainer				
39		1	Washer, Spring				

* * Torque Requirements

Item	Torque to
1	40 lb. ft.
18	128 - 148 lb. ft.
22	128 - 148 lb. ft.
46	23 - 26 lb. ft.
55	170 - 190 lb. ft.

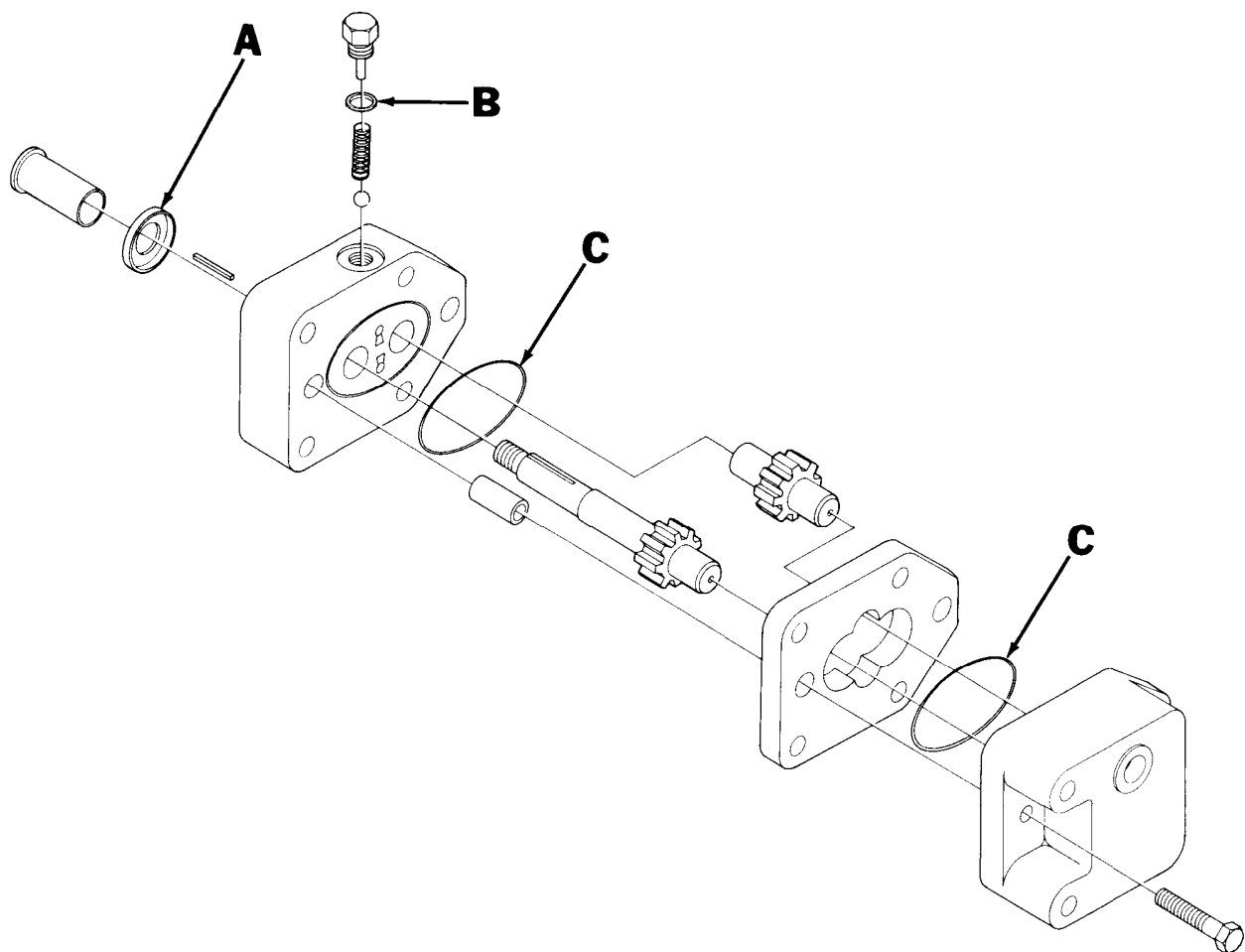
BROOM AND BRUSH MOTOR

Item	Part No.	Qty	Description	Item	Part No.	Qty	Description
1	457752	1	Housing Assembly	13	457776	1	Manifold
2	457754	1	Housing	14	457778	1	Commutator Assembly
3	457756	1	Ring, Retaining	15	457780	1	Commutator
4	457758	1	Bearing, Needle	16	457782	1	Ring, Commutator
5	457760	1	Spacer	17	457784	2	Seal
6	457762	1	Seal	13	457786	1	Sleeve
7	457764	1	Shaft, Coupling	19	457788	1	Washer
8	457766	1	Drive Link Assembly	20	457790	1	End Cover Assembly
9	457768	1	Bearing, Thrust	21	457792	7	Bolt, 5/16-20 x 2.75
10	457770	1	Washer, Thrust	22	457794	1	Key, Woodruff, 3/4 x 1
11	457772	1	Spacer		457740	1	MAC - G Seal Kit
12	457774	1	Rotor Set		457736	1	MAF Seal Kit

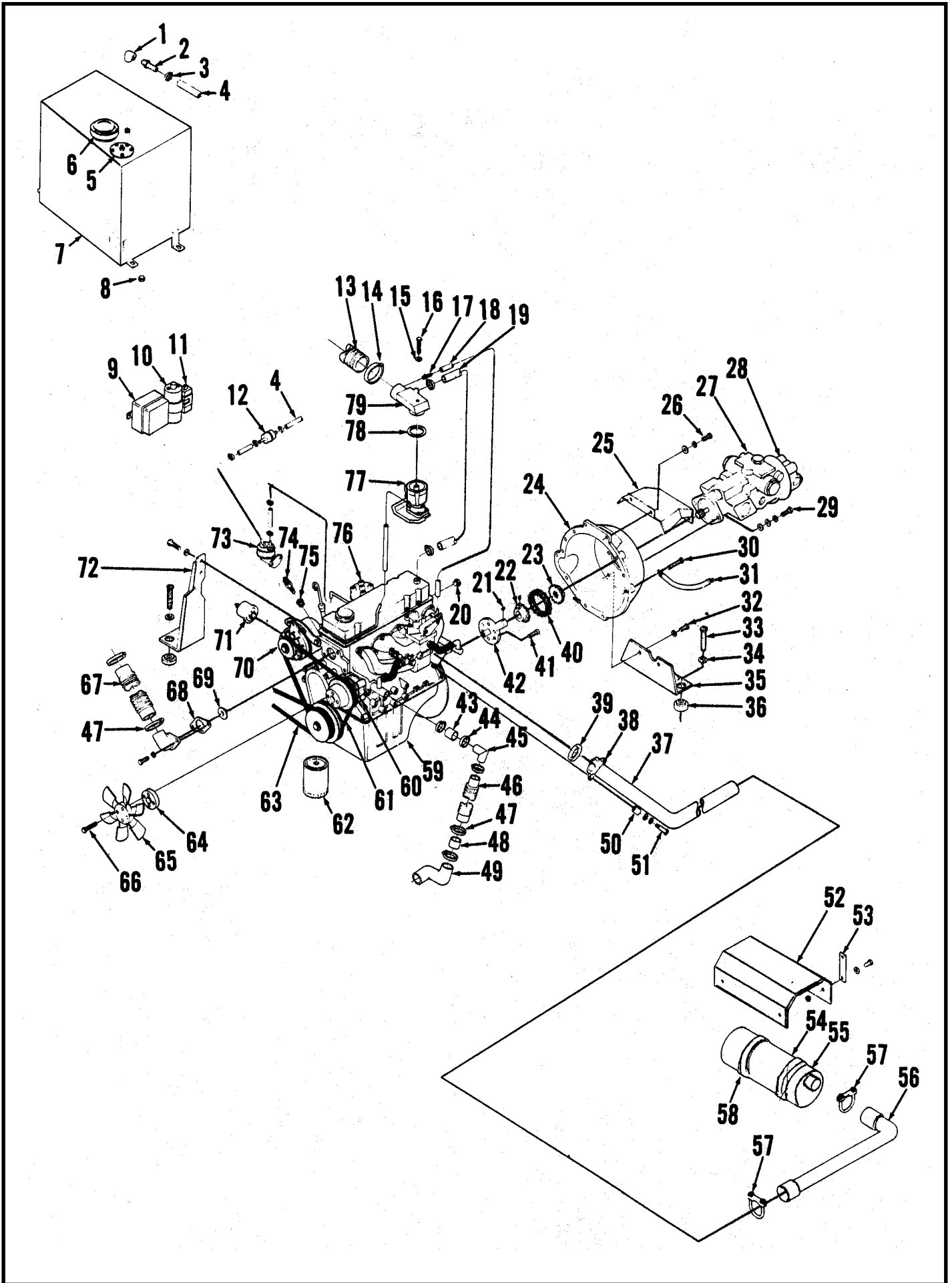


VACUUM IMPELLER MOTOR

Item	Part No.	Qty	Description
	457705	1	Vacuum Impeller Motor
	457709	1	Seal Kit (includes A, B, C)
A		1	Seal 1 in (25.4 mm) Dia.
B		1	O-Ring 7/16 in (11.11 mm) Dia.
C		2	O-Ring 2 in (50.8 mm) Dia.



MTE 10,000 RPM

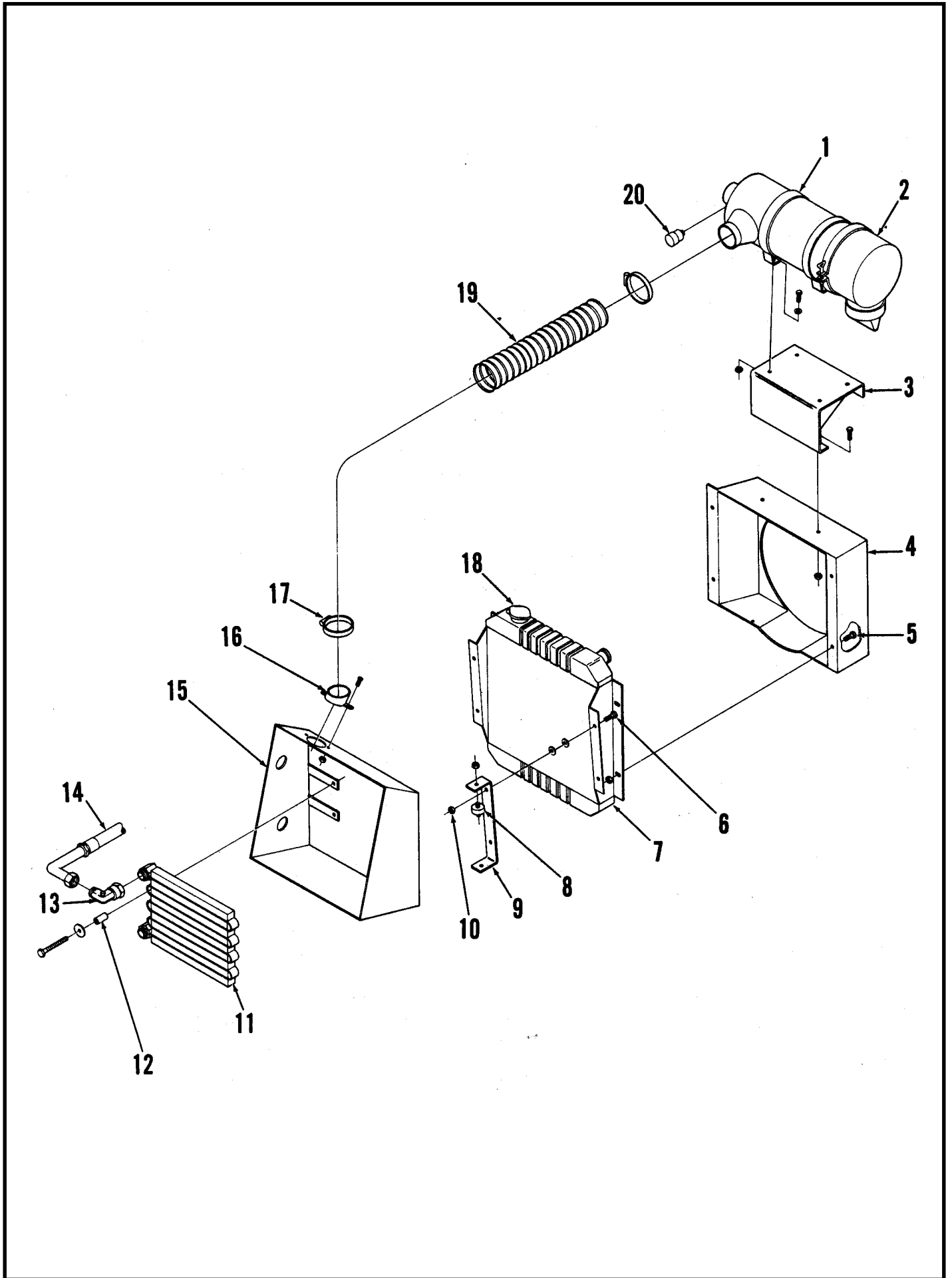


NISSAN ENGINE ASSEMBLY

Item	Part No.	Qty	Description	Item	Part No.	Qty	Description
1	111295	1	Elbow G	53	456294	2	Mount
2	477523	1	Barb G	54	478711	1	Muffler
3	219932	1	Hose Clamp G	55	456373	1	Muffler Assembly
4	471052	1	Fuel Line G	56	456380	1	Exhaust Tube
5	478358	1	Fuel Level Sender G	57	456833	2	Muffler Clamp
6	478502	1	Gas Cap G	58	456368	2	Clamp
	025488	1	Decal G	59	481565	1	Engine G
7	456712	1	Gas Tank G		456355	1	Engine Assembly G
	456709	1	Gas Tank Assembly G		481735	1	Engine P
8	481546	1	Plug		481717	1	Engine Assembly P
9	481575	1	Voltage Regulator	60	482745	1	Water Pump
	481569	1	Coil	61	481763	1	Fan Belt TSB 467 - F13
11	481579	1	Resistor	62	492258	1	Oil Filter
12	492885	1	Fuel Filter Kit G	63	481765	1	Belt
13	456433	1	Air Cleaner Hose			1	Fan Spacer
14	440213	2	Hose Clamp	65	456551	1	Fan TSB 467 - F13
15	209596	1	Rubber Washer	66	481148	4	Screw
16	492624	1	Screw	67	480665	1	Radiator Hose
17	477522	1	Barb	68	481751	1	Gasket
18	456435	1	Tube	69	481749	1	Thermostat
19	456427	1	Hose	70	481767	1	Alternator
20	740136	1	Plug G	71	478698	1	Oil Pressure Sender
21	378291	1	Key	72	456313	1	Right Engine Mount
22	480817	1	Sprocket		456317	1	Left Engine Mount
23	456298	1	Sprocket	73	481731	1	Fuel Pump G
24	456311	1	Bell Housing	74	456410	1	Adapter
25	481689	1	Cover	75	481888	1	Temperature Sender
26	481693	2	Screw	76	481737	1	Distributor Cap Hitachi
27	481985	1	Propulsion Pump		481753	1	Distributor Cap Mitsu
28	481987	1	Gear Pump		481738	1	Rotor Hitachi
29		2	1/2-13 X 1-1/4 Bolt		481755	1	Rotor Mitsu
30	492619	4	Bolt		481743	1	Condenser Hitachi
31	441600	1	Ground Cable		481761	1	Condenser Mitsu
32		2	1/2-13 X 3/4 Bolt		481741	1	Set of Points
33		6	1/2-13 X 4 Bolt	77	481729	1	Carburetor G TSB 429 - G4
34		6	Washer		493035	1	Carburetor P TSB 429 - G4
35	456321	1	Rear Engine Mount	78	492617	1	Gasket G
36	478685	6	Rubber Mount		493037	1	Gasket P
37	456371	1	Exhaust Pipe TSB 382 - G7	79	492819	1	Air Intake G
39	456375	1	Gasket G		493090	1	Air Intake P
40	480820	1	Coupler Chain				
41	481567	6	Screw				
42	481195	1	Drive Adapter				
43	481124	1	Hose				
44	131601	5	Hose Clamp				
45	481527	1	Elbow				
46	492609	1	Radiator Hose				
47	329145	5	Hose Clamp				
48	481108	1	Tube				
49	481132	1	Hose				
50	228052	3	Bushing				
51	465352	3	Screw				
52	456374	1	Shield				

NOTE: Additional engine parts are available through your local Advance Industrial Dealer.

NOTE: Pages 35-40 for machines equipped with Nissan engines, after serial number 118912

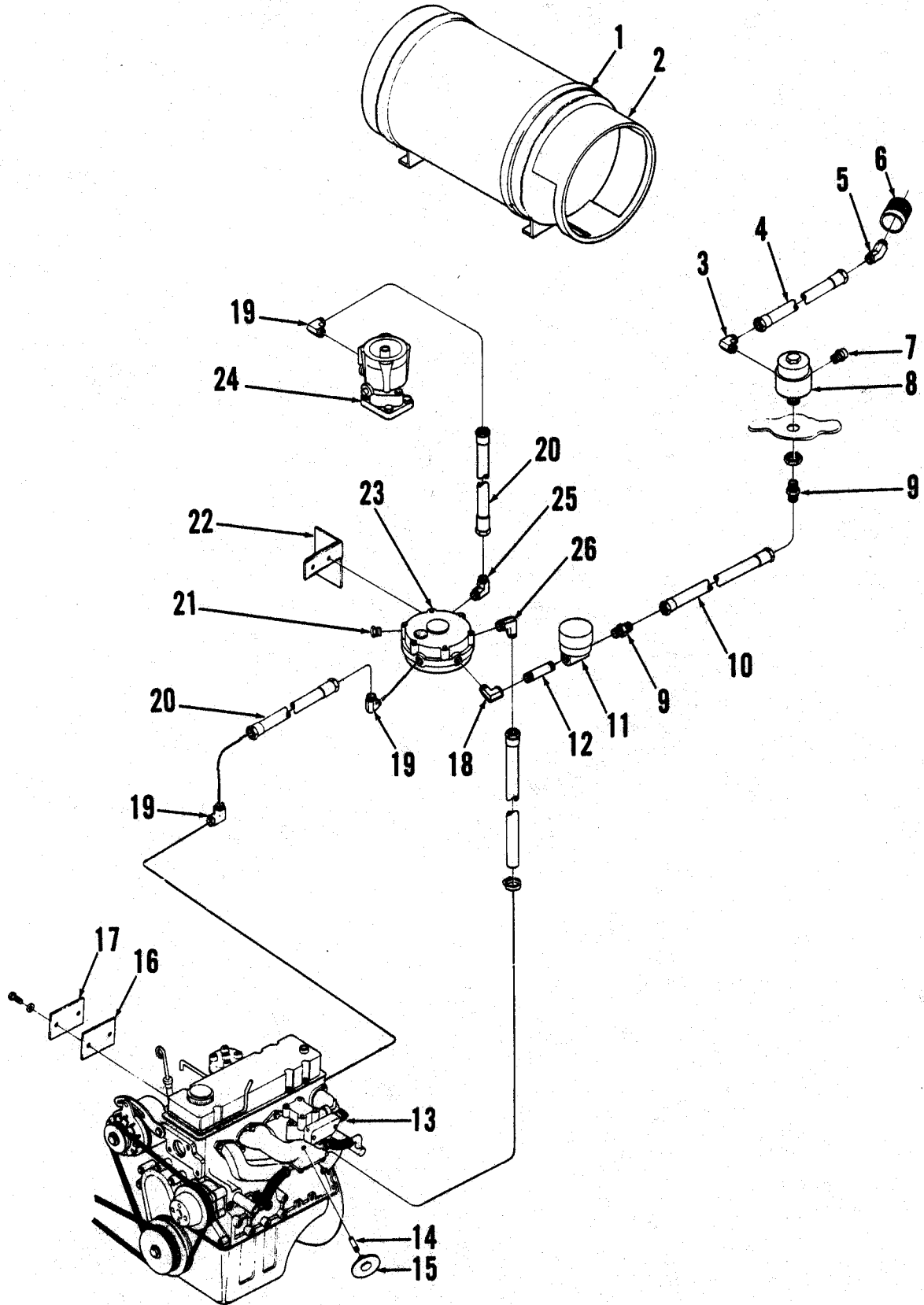


RADIATOR ASSEMBLY

Item	Part No.	Qty	Description
------	----------	-----	-------------

1	480650	2	Clamp
2	478710	1	Air Cleaner
	478720	1	Primary Element
	478722	1	Secondary Element
3	456331	1	Air Cleaner Mount
4	456339	1	Shroud
5	457286	4	Screw
6	001836	4	Screw
7	457280	1	Radiator
8	478684	4	Rubber Mount
9	456412	2	Strap
10	001827	4	Nut
11	457282	1	Oil Cooler
12	488487	4	Spacer
13	900306	2	Elbow
14	457284	2	Hose Assembly
15	457265	1	Shroud
16	457203	1	Tube
17	456797	2	Clamp
18	456431	1	Radiator Cap
19	456434	1	Hose
20	478461	1	Service Indicator

NOTE: Pages 35-40 for machines equipped with Nissan engines, after serial number 118912



PROPANE PARTS

Item	Part No.	Qty	Description
1	481912	1	Tank Bracket
2	456590	1	Propane Tank
3	456608	1	Elbow
4	456591	1	Hose
5	456598	1	Elbow
6	369675	1	Coupler
7	456624	1	Relief Valve
8	456622	1	Fuel Filter
9	456600	2	Adapter
10	456587	1	Hose
11	456626	1	Fuel Lock-Off
12	369624	1	Nipple
13	481735	1	Engine, Propane
	481717	1	Engine Assembly
14	102407	1	Nipple
15	456632	1	Vacuum Switch
16	456636	1	Gasket
17	456635	1	Fuel Pump Cover
18	369632	1	Elbow
19	456604	3	Elbow
20	456583	2	Hose
21	456612	1	Plug
22	493027	1	Bracket
23	456628	1	Regulator
	456584	1	Regulator Assembly
24	493035	1	Carburetor
25	456602	1	Elbow
26	456606	1	Elbow

NOTE: Pages 35-40 for machines equipped with Nissan engines, after serial number 118912