



Electronic Service Manuals

This electronic document is provided as a service to our customers. We do not create the contents of the information contained in this document. Should you have detailed questions pertaining to the information contained in this document, you may contact Michco, or the manufacturer which provided the original information in this electronic deliverable. Michco's only part in this electronic deliverable was the electronic assembly process.

You may contact Michco through the following methods:
Phone (517) 484-9312 or (800) 331-3339 MI, OH, IN only
2011 N. High St. -- Lansing, Michigan -- 48906
Fax: (517) 484-9836
Email: CustServ@Michco.com
Web site: www.Michco.Com
Parts Web site: www.FloorMachineParts.Com

Order Parts on Line at:
www.FloorMachineParts.Com

Directly to Parts & Service:
By Email: **Shop@Michco.com**
By Fax: (517) 702-2041
By Voice: Use numbers above.

Serving the Cleaning Industry Since 1922

Notice: All copyrighted material remains property of original owners, all trademarks are property of respective owners. Manuals are subject to Manufacturer's reproduction limitations. Originals or reproductions were provided by manufacturers through a request. We make no warranty as to the correctness of information provided in this document and you assume all risk.

Hydro-Retriever™ 5000G/P



PARTS LIST

**Advance MODELS 56168100, 56168105
56168500, 56168505**

**This parts list is for machines after serial number 254601
All models covered in this manual are OBSOLETE**



**Nilfisk
Advance**

setting standards

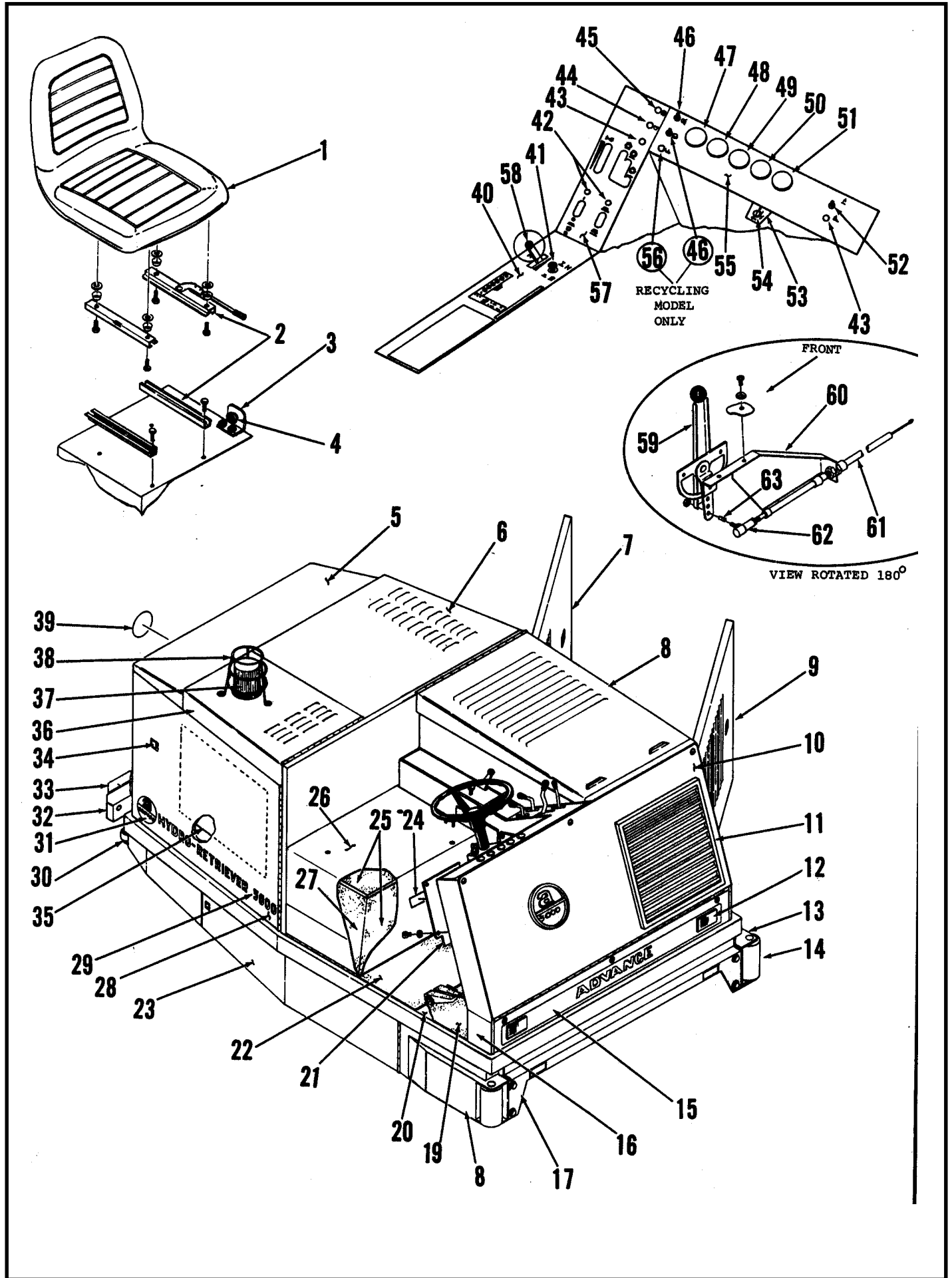
TABLE OF CONTENTS

DESCRIPTION	PAGE
Outer Body - 1	1-2
Outer Body - 2	3-4
Radiator and Air Filter	5-6
Gas Engine Assembly	7-8
Liquid Propane System	9-10
Hydraulic Reservoir	11-12
Hydraulic Control Valve Assembly	13-14
Brush Drive Assembly	15-16
Drive Pedal Linkage	17-18
Rear Wheels and Steering	19-20
Broom Housing and Front Skirts	21-22
Vacuum Impeller Assembly	23-24
Front Drive Wheels	25-26
Sweeping Broom Motor and Side Skirts	27-28
Squeegee Tool and Lift System	29-30
Standard Solution Tank Assembly	31-32
Hydro-Max Solution Tank Assembly	33-34
Standard Recovery Tank Assembly	35-36
Hydro-Max Recovery Tank Assembly	37-38
Hydraulic Diagram	39-40
Wiring Diagram	41-42
Drive Train	43-44
Diesel Engine Assembly	45-46
Impeller Assembly	47-48
Optional Parts and Accessories	49

WHEN ORDERING PARTS

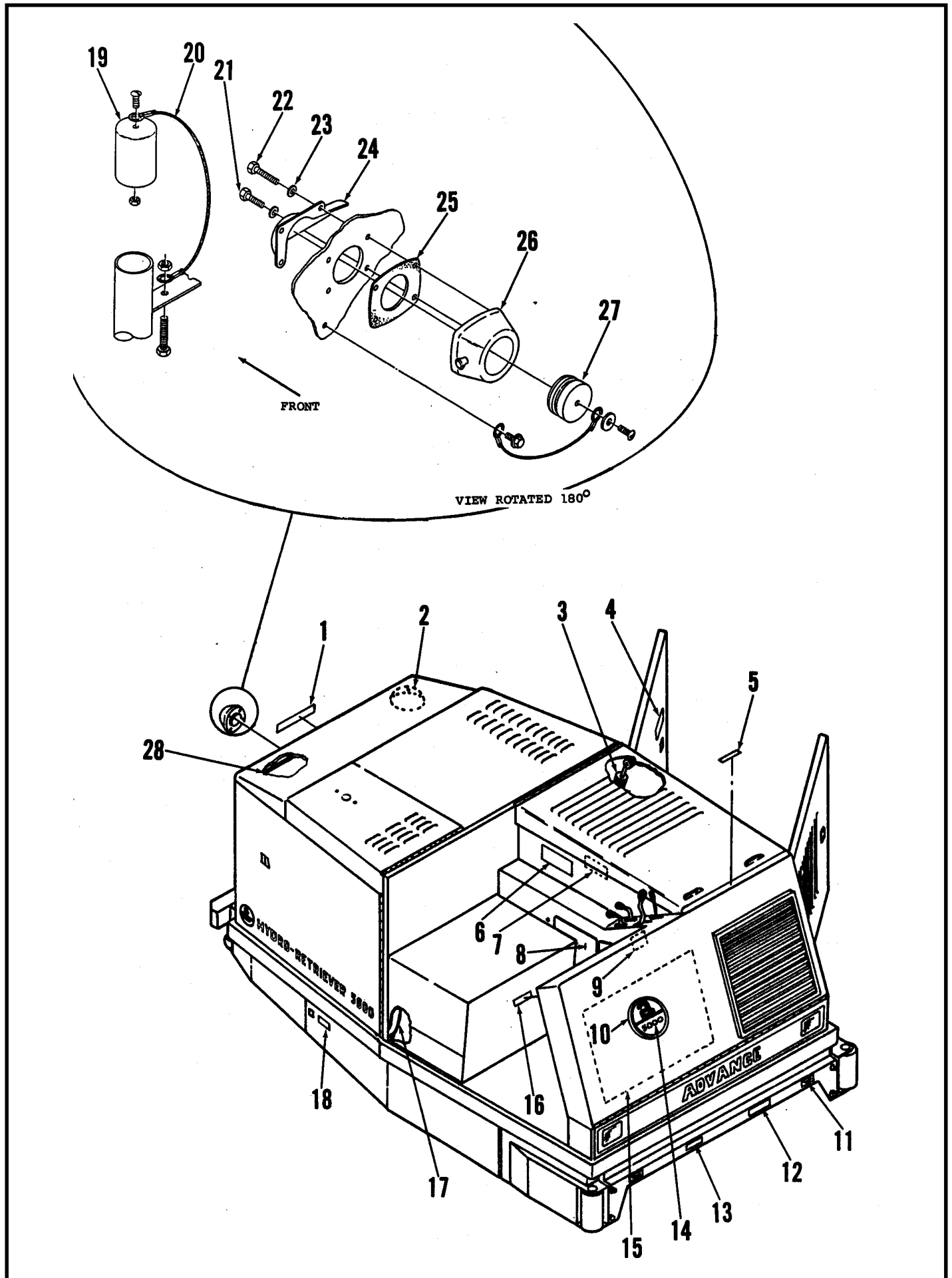
- * Use the 8 digit numbers from the "Part No." columns in this parts list.
- * Specify the model and serial number of the machine.
- * Use the space below to record the model and serial number for future reference.

Model _____ Serial No. _____



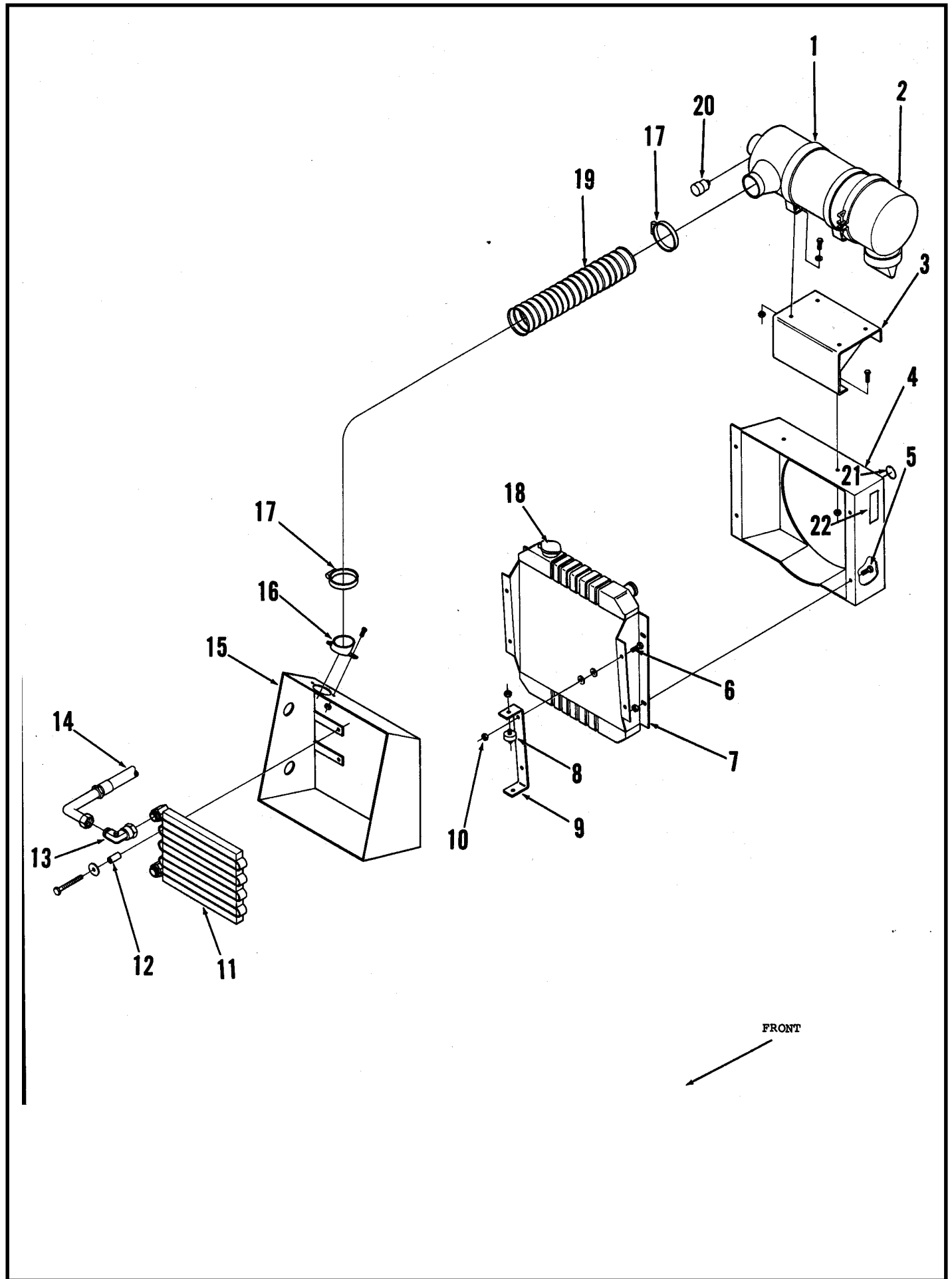
OUTER BODY - 1

Item	Part No.	Qty	Description	Item	Part No.	Qty	Description
1	56481346	1	Seat	31	56015326	2	Decal, Advance
2	56495871	1	Slide, Seat	32	56456880	1	Weight
3	56457470	1	Bracket	33	56025504	1	Decal, Weight
4	56578214	1	Lock Assembly	34	56761160	5	Latch
5	56457678	1	Cover	35	56025462	1	Decal, Hydraulic Diagram
	56456146	1	Hydro-Max Cover	36	56457686	1	Cover Weldment
6	56457688	1	Panel Weldment	37	56489639	1	Rotating Light TSB 603, G-4
7	56457680	1	Door Weldment, Left	38	56496061	1	Light Guard TSB 603, G-4
8	56457674	1	Hood	39	56025330	1	Decal, 5000
9	56457670	1	Engine Door	40	56025472	1	Decal, Control
10	56456357	1	Front Panel Assembly	41	56760210	1	Choke, Control
	56457664	1	Front Panel	42	56456464	2	Indicator Light Green
11	56457500	1	Grill Weldment	43	56456860	2	Indicator Light Green
12	56454528	2	Head Light	44	56456467	1	Indicator Light Amber
13	56457640	1	Skirt, Left	45	56456469	1	Indicator Light Red
14	56456855	2	Bumper Assembly, Front	46	56200340	1	Toggle Switch DPST
15	56025536	1	Decal, Grill	47	56478363	1	Meter, Hour
16	56025534	1	Decal, Stripe Gray	48	56489594	1	Meter, Amp
17	56457643	1	Panel	49	56489600	1	Gauge, Temperature
18	56457642	1	Skirt, Right	50	56489592	1	Gauge, Oil
19	56457583	1	Floor Mat	51	56489598	1	Fuel Gauge (Gas only)
20	56457478	1	Floor Plate	52	56468359	1	Toggle Switch DPST
21	56457480	1	Panel	53	56025476	1	Decal, Control
22	56457584	1	Floor Mat	54	56478640	1	Key Switch
23	56457654	1	Door, Right	55	56025588	1	Decal, Control
	56457655	1	Door, Left	56	56456544	1	Amber Indicator Light
24	56014450	1	Decal, Patent	57	56025586	1	Decal, Control
25	56457474	2	Acoustical Foam	58	56456349	1	Throttle Lever Assembly
26	56457660	1	Seat Panel	59	56456328	1	Lever Assembly
27	56457476	1	Acoustical Foam	60	56456548	1	Anchor, Throttle Cable
28	56457682	1	Door Weldment, Right	61	56456333	1	Throttle Cable
29	56025530	2	Decal, Hydro 5000	62	56488290	1	Ball Joint
30	56454906	2	Bumper Assembly, Rear	63	56375334	1	Bushing .19 x 25 x .12



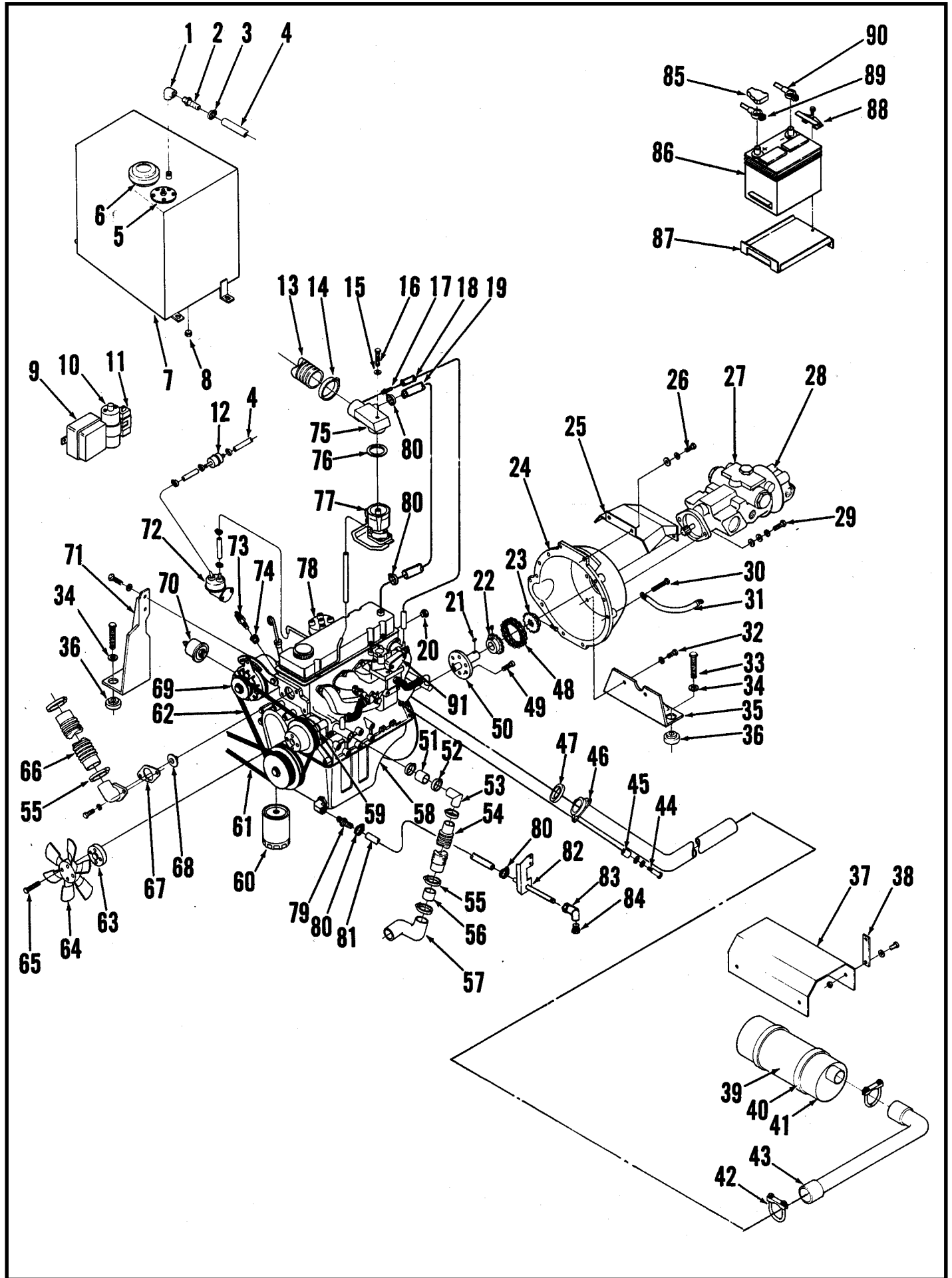
OUTER BODY - 2

Item	Part No.	Qty	Description
1	56025339	1	Decal, Tank
2	56454719	1	Deflector with Nut
3	56385238	1	Hood Cylinder
4	56025342	1	Decal, Drain Valve
5	56025496	1	Decal, Caution
6	56025464	1	Decal, Oil Check
7	56030048	1	Decal, Dip Stick
8	56457462	1	Door Weldment
9	56025494	1	Decal, Brake
10	56025985	1	Decal, Advance
11	56025478	2	Decal, Flow Control
12	56025360	1	Decal, Caution
13	56025366	1	Decal, Caution
14	56025333	1	Decal, 5000 Insert
15	56025423	1	Decal, Wiring Diagram
16	56015379	1	Decal, Warning
17	56456849	1	Cable
18	56025378	1	Decal, Broom
Optional Parts for Wand Attachment			
19	56453616	1	Cap
20	56325240	2	Wire Rope
21	56209519	1	Screw #10 x .75
22	56209521	1	Screw #10 x .75
23	56249992	4	Washer
24	56201392	1	Deflector
25	56201390	1	Gasket
26	56201386	1	Connector Assembly
27	56456078	1	Vacuum Plug
28	56490112	8'	Gasket



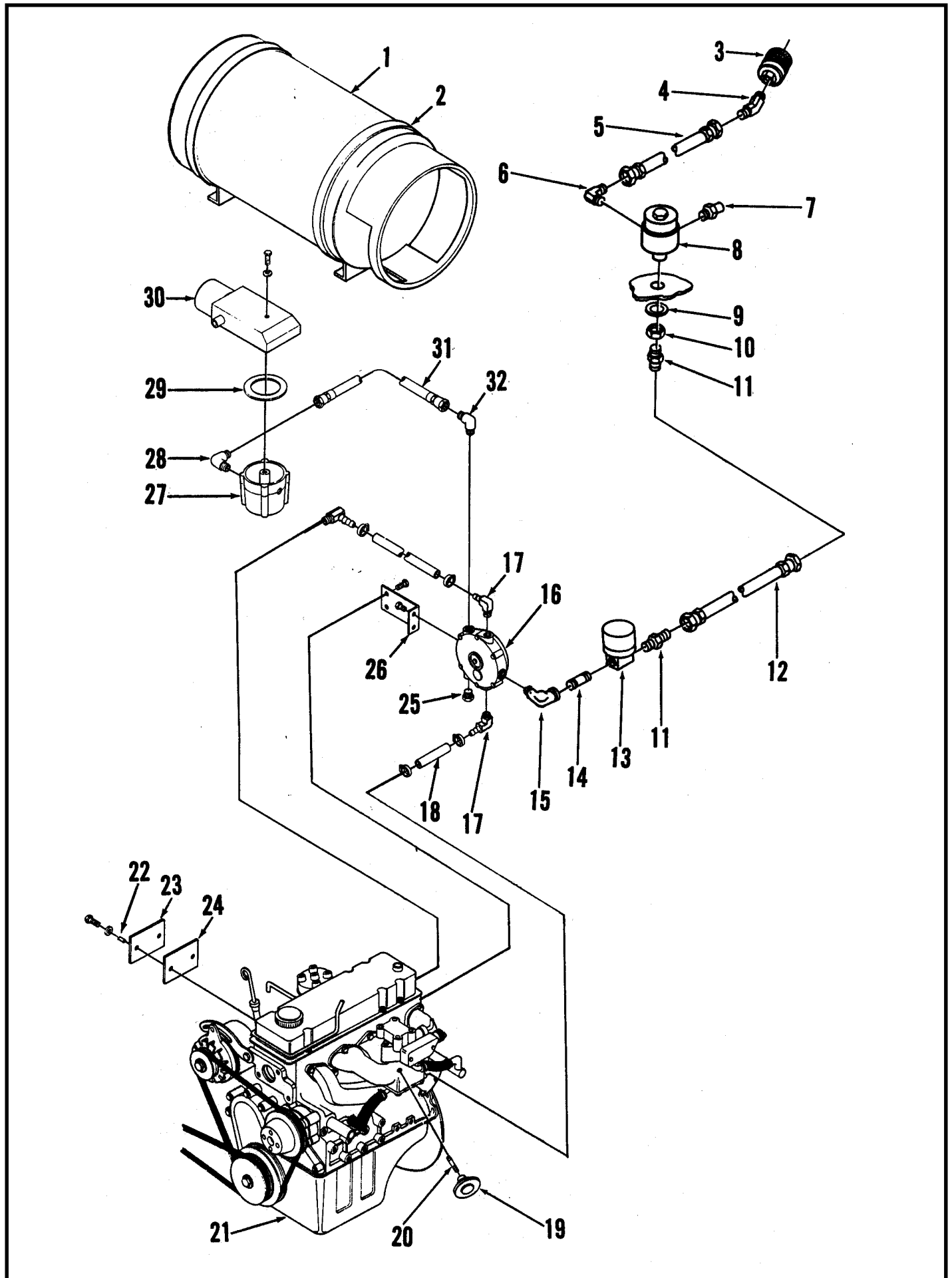
RADIATOR AND AIR FILTER

Item	Part No.	Qty	Description
1	56480650	2	Clamp
2	56478710	1	Air Cleaner
	56478720	1	Primary Element (Outer)
	56478722	1	Secondary Element (Inner)
3	56456331	1	Air Cleaner Mount
4	56456377	1	Shroud
5	56457286	4	Screw
6	56001836	4	Screw
7	56457280	1	Radiator
8	56478684	4	Rubber Mount
9	56456412	2	Strap
10	56001827	4	Nut
11	56457282	1	Oil Cooler
12	56488487	4	Spacer
13	56900306	2	Elbow
14	56457284	2	Hose Assembly
15	56458642	1	Shroud
16	56457203	1	Tube
17	56456797	2	Clamp
18	56456431	1	Radiator Cap
19	56456434	1	Hose
20	56478461	1	Service Indicator
21	56030080	1	Decal, Hands Clear
22	56025360	1	Decal, Caution



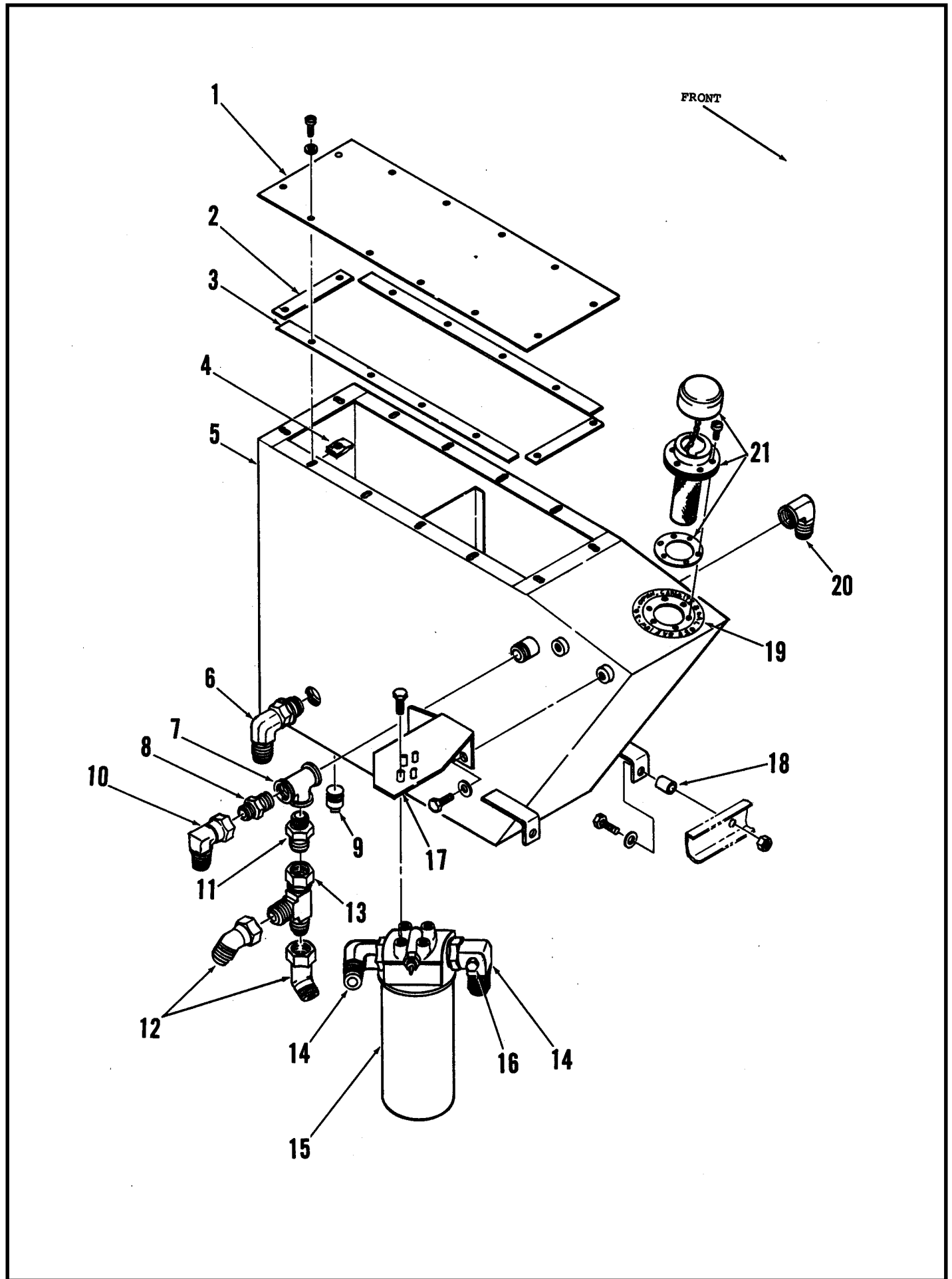
GAS ENGINE ASSEMBLY

Item	Part No.	Qty	Description	Item	Part No.	Qty	Description
1	56111295	1	Elbow 1/8 x 90 Brass	53	56481527	1	Elbow Weldment
2	56369594	1	Barb 1/4 x 1/8 Brass	54	56480665	1	Radiator Hose
3	56219932	2	Hose Clamp	55	56329145	5	Hose Clamp
4	56481727		Fuel Line	56	56481108	1	Tube
5	56478358	1	Sender, Fuel Level	57	56481132	1	Hose
6	56478502	1	Cap, Fuel Tank	58	56481565	1	Engine
	56025488	1	Decal, Gas (not shown)	59	56481771	1	Water Pump TSB 467 - G10
7	56456712	1	Tank Weldment, Fuel		56481773	1	Pulley, Water Pump
8	56481546	2	Plug 1/8-27 MPR	60	56492258	1	Oil Filter
9	56481575	1	Voltage Regulator	61	56458682	1	Belt, V
10	56481569	1	Ignition Coil	62	56481763	1	Fan Belt
11	56481579	1	Resistor Coil	63	56482141	1	Spacer
12	56492885	1	Fuel, Filter Kit	64	56482339	1	Fan
13	56456433	1	Air Cleaner Hose	65	56481148	4	Screw
14	56440213	2	Hose Clamp	66	56480665	1	Radiator Hose
15	56209596	1	Rubber Washer	67	56481751	1	Gasket
16	56492624	1	Screw	68	56481749	1	Thermostat
17	56477522	1	Barb	69	56481767	1	Alternator
18	56456435	1	Tube	70	56478698	1	Sender, Pressure
19	56456427	1	Hose	71	56456313	1	Mount, Weldment Right
20	56740136	1	Plug		56456317	1	Mount, Weldment Left
21	56378291	1	Woodruff Key	72	56481737	1	Fuel Pump
22	56480817	1	Sprocket	73	56481888	1	Sender, Temperature
23	56456298	1	Sprocket	74	56456410	1	Adapter
24	56456311	1	Bell Housing	75	56492819	1	Air Intake
25	56481689	1	Cover	76	56478493	1	Gasket, Carburetor
26	56481693	2	Screw	77	56481729	1	Carburetor
27	56481985	1	Pump, Hydraulic	78	56481753	1	Distributor Cap
28	56458691	1	Pump, Hydraulic Accessory		56481755		Rotor
29		2	Bolt, 1/2-13 x 3/4		56481761		Condenser
30	56492619	4	Bolt		56481741		Point Set
31	56441600	1	Cable Assembly, Ground	79	56456436	1	Barb, Hose
32		2	Bolt 1/2-13 x 3/4	80	56219932	2	Hose Clamp
33		6	Bolt 1/2-13 x 4	81	56456437	1	Hose
34		6	Washer	82	56457140	1	Bracket Weldment
35	56456321	1	Mount Weldment	83	56404274	1	Elbow 90
36	56478685	6	Rubber Mount	84	56165263	1	Plug
37	56456374	1	Shield	85	56372673	2	Battery Post Boot
38	56456294	2	Mount	86	56441511	1	Battery
39	56456373	1	Muffler Assembly	87	56456392	1	Battery Tray
40	56456368	2	Clamp	88	56469193	1	Clamp Set, Battery
41	56478711	1	Muffler	89	56363979	1	Cable Assembly, Positive
42	56456833	2	Muffler Clamp	90	56456458	1	Cable Assembly, Negative
43	56456380	1	Exhaust Tube	91	56482387	1	Governor 2200 TSB 429 - G11
44	56465352	3	Screw				
45	56228052	3	Bushing				
46	56456371	1	Exhaust Pipe with Flange TSB 382 - G12				
47	56456375	1	Exhaust Gasket				
48	56480820	1	Chain Coupler				
49	56481567	6	Screw				
50	56481195	1	Drive Adapter				
51	56481124	1	Hose				
52	56131601	5	Hose Clamp				



LIQUID PROPANE SYSTEM

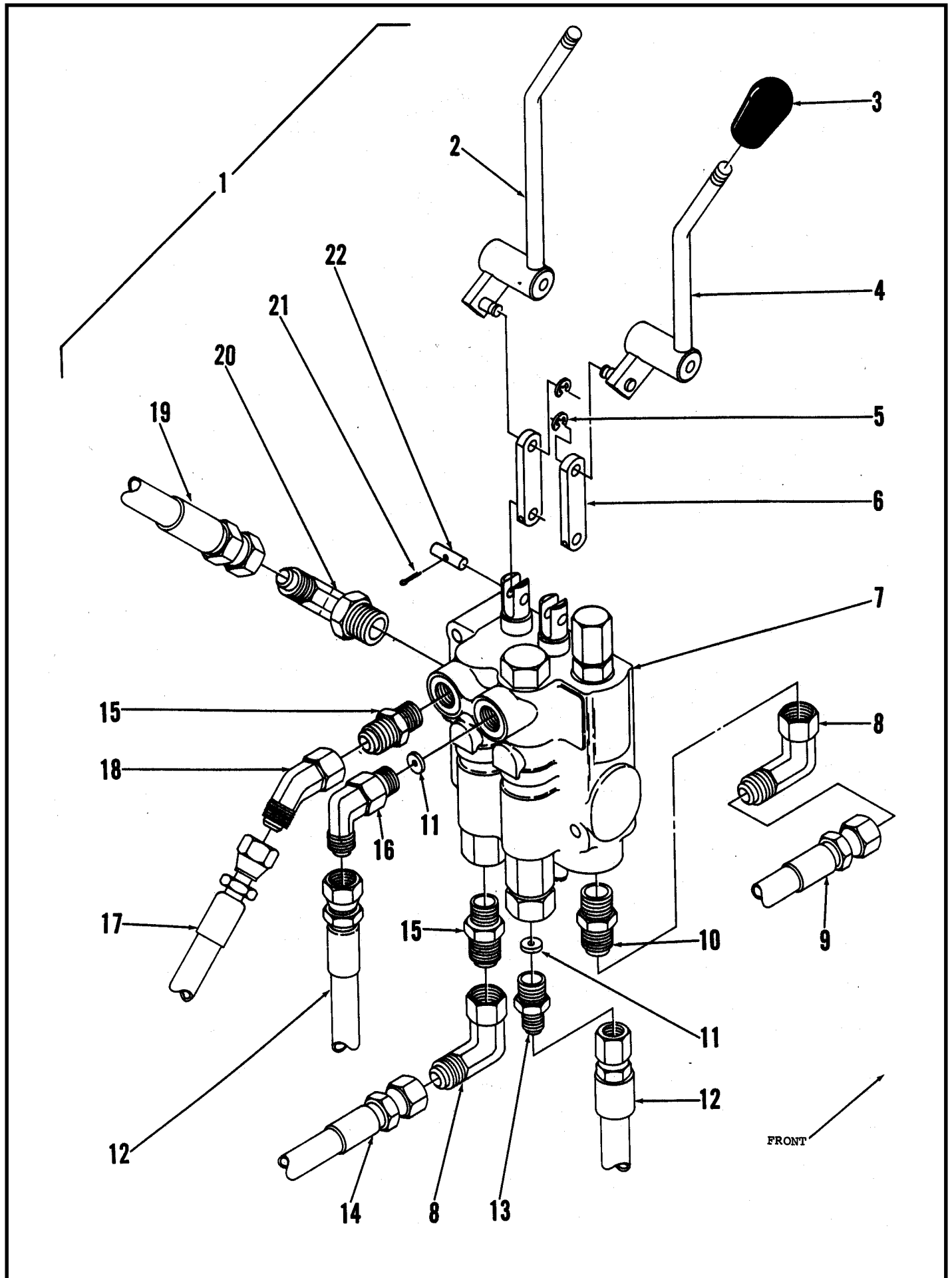
Item	Part No.	Qty	Description
1	56456590	1	LP Tank
2	56481912	1	LPG Bracket Set
3	56369675	1	Coupler
4	56456598	1	Elbow
5	56456585	1	Hose Assembly
6	56456608	1	Elbow
7	56456624	1	Vent
8	56456622	1	Filter
9		1	Lock Washer
10		1	Nut 7/8-14
11	56456600	2	Adapter
12	56456586	1	Hose Assembly
13	56456626	1	Shut-Off Valve
14	56369624	1	Nipple
15	56369632	1	Elbow
16	56456628	1	Regulator
17	56753691	2	Elbow
18	56482169	1	Hose
19	56456632	1	Vacuum Switch
20	56102407	1	Nipple
21	56481735	1	Engine
22	56244941	2	Bushing
23	56456635	1	Fuel Pump Cover
24	56456636	1	Gasket
25	56481546	1	Plug
26	56482168	1	Bracket
27	56493035	1	Carburetor
28	56456604	1	Elbow
29	56493037	1	Gasket
30	56493090	1	Air Intake Weldment
31	56456583	1	Hose Assembly
32	56456602	1	Elbow



HYDRAULIC RESERVOIR

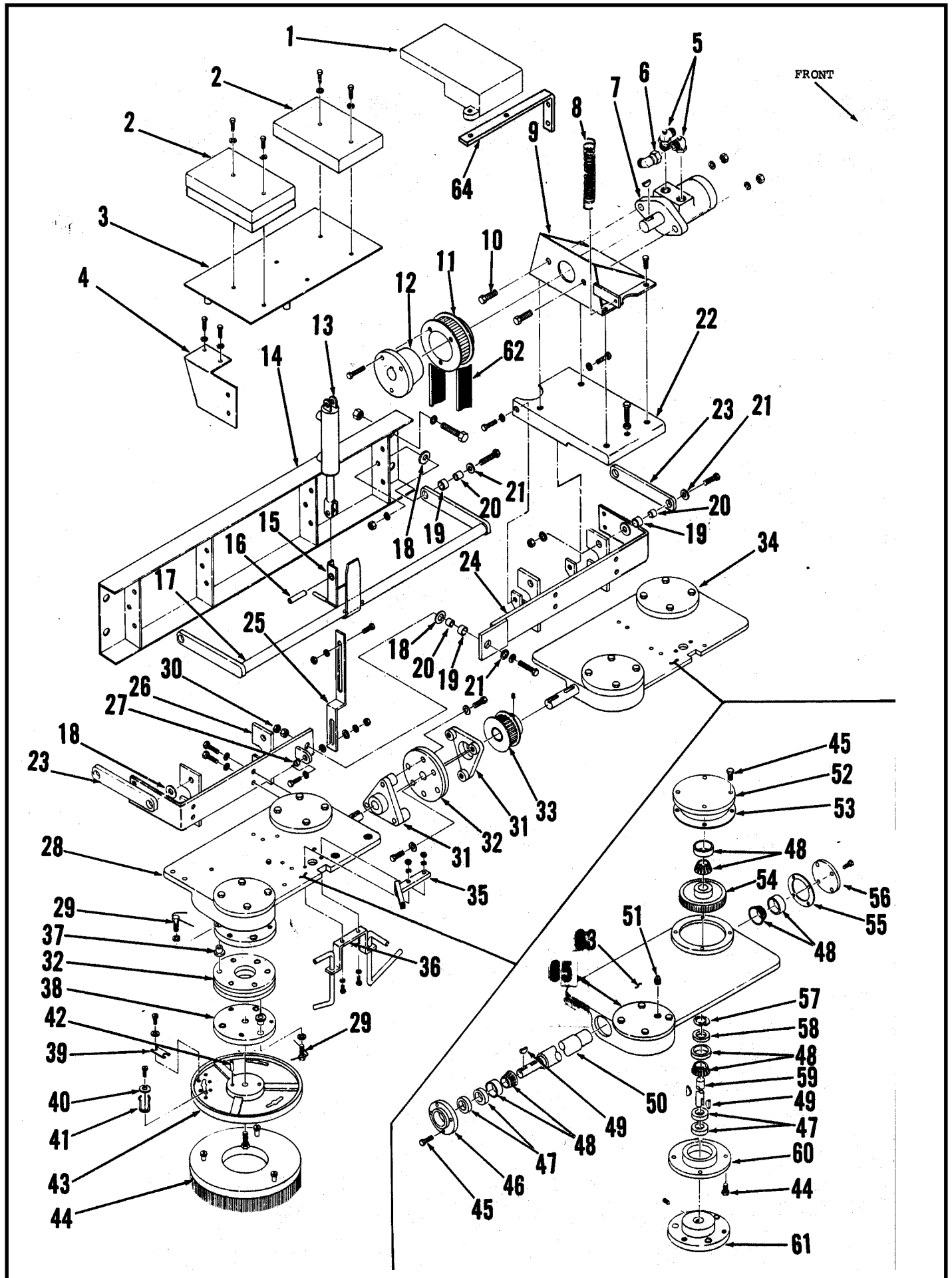
Item	Part No.	Qty	Description
1	56456768	1	Cover
2			replaced by #3
3	56459407	1	Gasket
4	56328855	8	Nut, Spring #10-24
5	56456750	1	Tank Weldment
6	56900106	1	Elbow 90 O/R
7	56479770	1	Tee 1/2 Black
8	56456938	1	Adapter, M. 1/4 OD
9	56479732	1	Plug, Pipe 1/2 STL
10	56900301	1	Elbow, Swivel Nut 1/4 90
11	56456447	1	Check Valve
12	56900326	2	Elbow, Swivel Nut 45
13	56900346	1	Tee, Run with Nut
14	56481344	2	Male Elbow
15	56456449	1	Oil Filter Assembly
*	56496209	1	Replacement Filter Element
16	56481546	2	Plug 1/8-27 NPT
17	56456774	1	Bracket
18	56398618	2	Bushing
19	56025490	1	Decal, Oil Fill
20	56900585	1	Elbow 90
21	56456758	1	Filler Cap Assembly

* = Not Shown



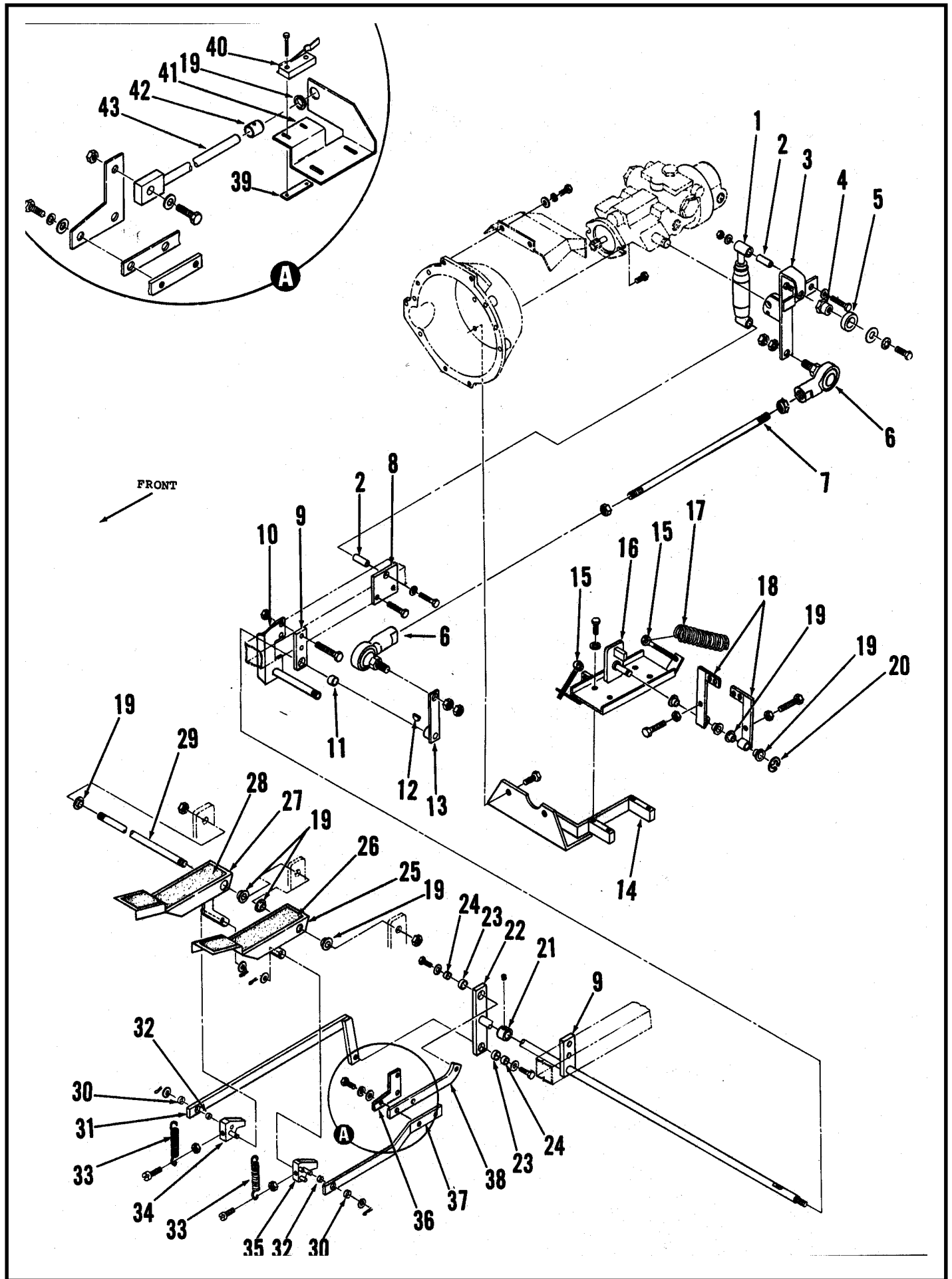
HYDRAULIC CONTROL VALVE ASSEMBLY

Item	Part No.	Qty	Description
1	56458674	1	Control Valve Assembly
2	56455664	1	Lever Weldment
3	56364527	2	Knob
4	56455617	1	Lever Weldment
5	56321125	2	Retaining Ring Ext 1/4 E
6	56455625	2	Linkage
7	56492196	1	Control Valve
8	56900304	2	Elbow 9 with Nut
9	56456925	1	Hose Assembly
10	56900004	1	Connector
11	56456931	2	Orifice Plate
12	56458672	2	Hose Assembly
13	56900011	1	Connector O/R-6
14	56480928	1	Hose Assembly
15	56900020	2	Adapter ST Thread 3/4-16
16	56900110	1	Elbow 90
17	56480916	1	Hose Assembly
18	56900324	1	Elbow 45 with Nut
19	56455772	1	Hose Assembly
20	56900119	1	Elbow 90
21		2	Cotter Key 1/16 x 3/4
22	56455627	2	Pin



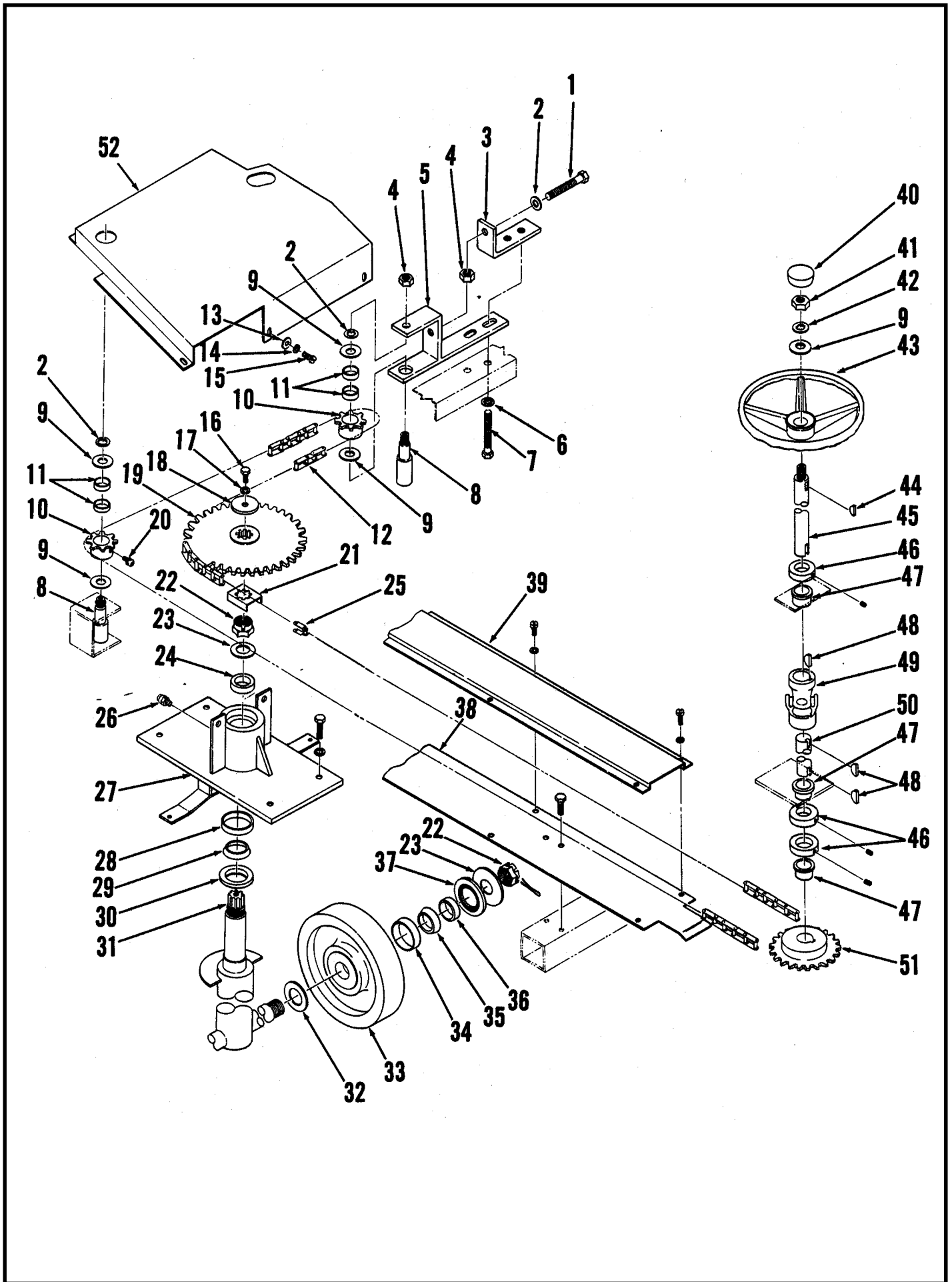
BRUSH DRIVE ASSEMBLY

Item	Part No.	Qty	Description	Item	Part No.	Qty	Description
	56455450	1	Brush Drive Assembly	34	56453855	1	Left Gear Case Assembly
1	56455462	1	Weight				TSB611, G-1
2	56453907	3	Weight	35	56456809	1	Bracket
3	56456815	1	Bracket	36	56455517	2	Pipe Bracket
4	56458860	1	Plate Weldment	37	56448268	24	Bushing
5	56456958	2	Elbow	38	56448263	4	Lower Coupler
6	56900324	1	Elbow	39	56366455	4	Plate
7	56457728	1	Brush Motor MF030610CCCA	40	56151114	4	Washer
	56503002	1	Seal Kit (for above)	41	56366463	4	Spring Retainer
8	56448119	1	Spring	42	56362077	8	Pin
9	56455530	1	Bracket	43	56363189	4	Casting Holder
10	56455542	2	Screw	44	56550690	2	Scrub Brush (Set of 2)
11	56455455	1	Pulley	45	56366285	40	Screw
12	56455458	1	Split Taper Bushing	46	56366129	2	Cap
13	56449748	1	Gear Case Cylinder	47	56366331	12	Seal
	56449755	1	Seal Kit	48	56366323	12	Tapered Bearing
14	56455469	1	Bracket		56900072	12	Cup Bearing
15	56455548	1	Yoke Weldment	49	56366366	12	Woodruff Key
16	56455570	1	Cylinder Pin	50	56453858	2	Shaft
17	56455492	1	Bar Weldment	51	56366269	2	Plug
18	56367192	19	Washer	52	56366161	2	Cap
19	56367168	19	Sleeve Bushing	53	56366684	A/R	Shim .002 Red
20	56367206	19	Bushing		56366692	A/R	Shim .005 Blue
21	56367214	35	Washer	54	56366226	4	Worm Gear
22	56455569	1	Bracket	55	56366714	A/R	Shim .002 Red
23	56453909	8	Parallel Bar		56366722	A/R	Shim .005 Blue
24	56458870	1	Left Bracket Weldment		56366730	A/R	Shim .015 Pink
25	56456825	1	Link	56	56550920	2	Cap
26	56458872	1	Right Bracket Weldment	57	56366358	8	Retaining Ring
27	56368997	1	Bushing	58	56366315	4	Spacer
28	56453850	1	Right Gear Case Assembly	59	56366307	4	Shaft TSB611, G-1
			TSB611, G-1	60	56366218	4	Cap
29	56448271	24	Hex Bolt 3/8 x 2	61	56453861	4	Coupler
30	56441236	19	Lock Nut 1/2-13 Spring	62	56455467	1	Belt
31	56455509	2	Universal Casting	63	56550906	2	Gear Case
32	56104647	14	Disc	64	56458854	1	Strap
33	56455454	1	Pulley	65	56366188	2	Cap



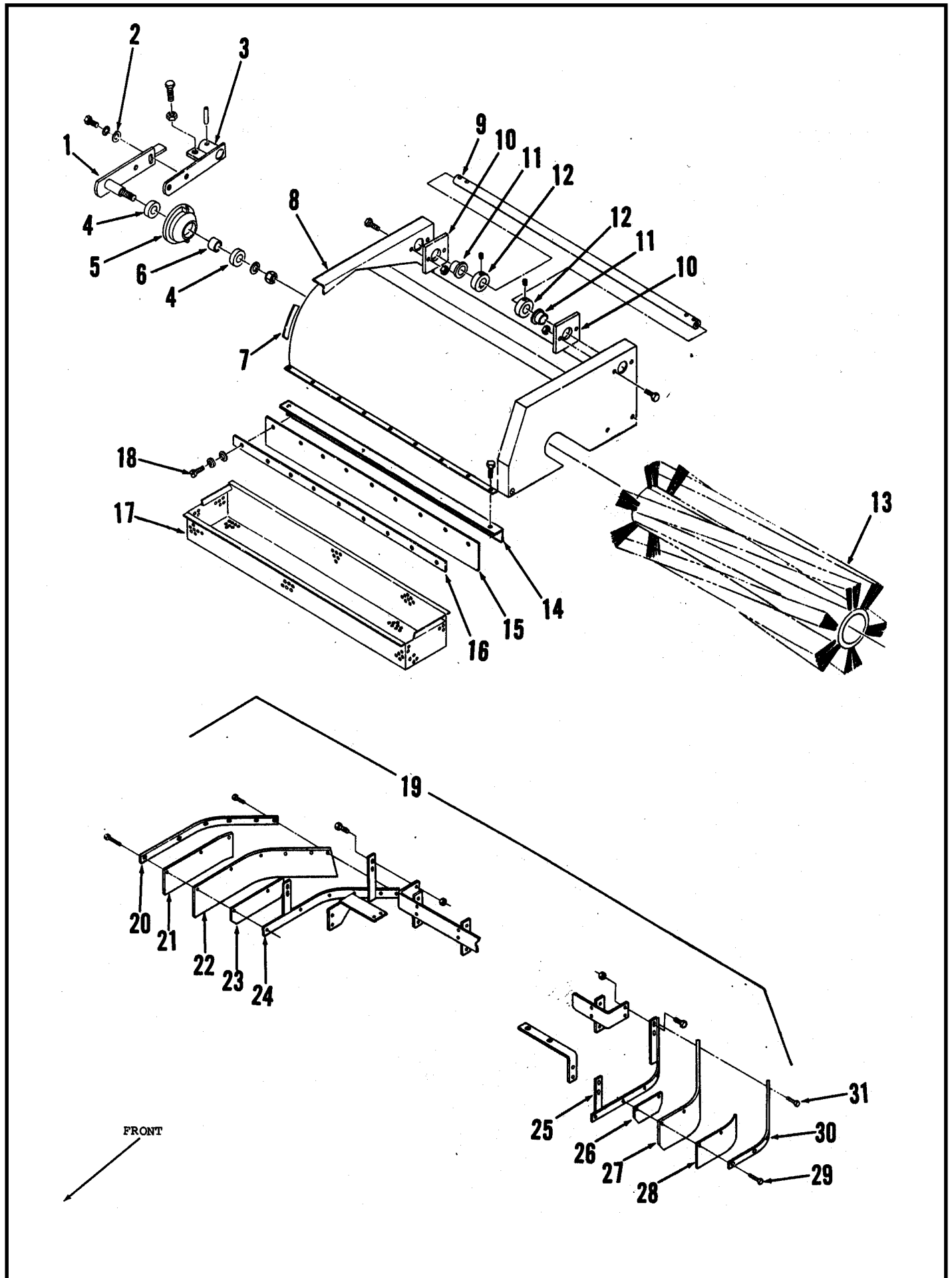
DRIVE PEDAL LINKAGE

Item	Part No.	Qty	Description
1	56491664	1	Shock Absorber
2	56491690	2	Sleeve
3	56457119	1	Cam Arm Weldment
4	56448057	1	Hex Nut
5	56372773	1	Ball Bearing
6	56477813	2	Ball Joint
7	56457117	1	Linkage Rod
8	56457304	1	Plate
9	56457135	2	Bar
10	56457140	1	Bracket Weldment
11	56370878	1	Bearing
12	56124028	1	Square Key
13	56457125	1	Lever
14	56456321	1	Bracket Weldment
15	56457178	2	Eye Bolt
16	56457093	1	Pivot Bracket
17	56456847	2	Spring
18	56457103	2	Arm
19	56324505	8	Flange Bearing
20	56321427	1	Retaining Ring
21	56367354	1	Shaft Collar
22	56457129	1	Lever Weldment
23	56366633	2	Bearing Sleeve
24	56244941	2	Bushing
25	56457163	1	Pedal, Left
26	56457585	1	Mat, Pedal Left
27	56457161	1	Pedal, Right
28	56457586	1	Mat, Pedal Right
29	56487849	1	Pin
30	56457138	2	Sleeve Bearing
31	56457137	1	Linkage
	56457132	1	Linkage Assembly
32	56320595	2	Bushing
33	56445177	2	Spring
34	56457149	1	Stop Weldment, Right
35	56457151	1	Stop Weldment, Left
36	56457834	1	Bracket
37	56457145	1	Linkage
	56457130	1	Linkage Assembly
38	56457143	1	Linkage
39	56376015	1	Nut Plate
40	56388532	1	Switch
41	56457832	1	Bracket
42	56388036	1	Collar
43	56457836	1	Push Rod Weldment
	56454108	1	Steering Idler Assembly



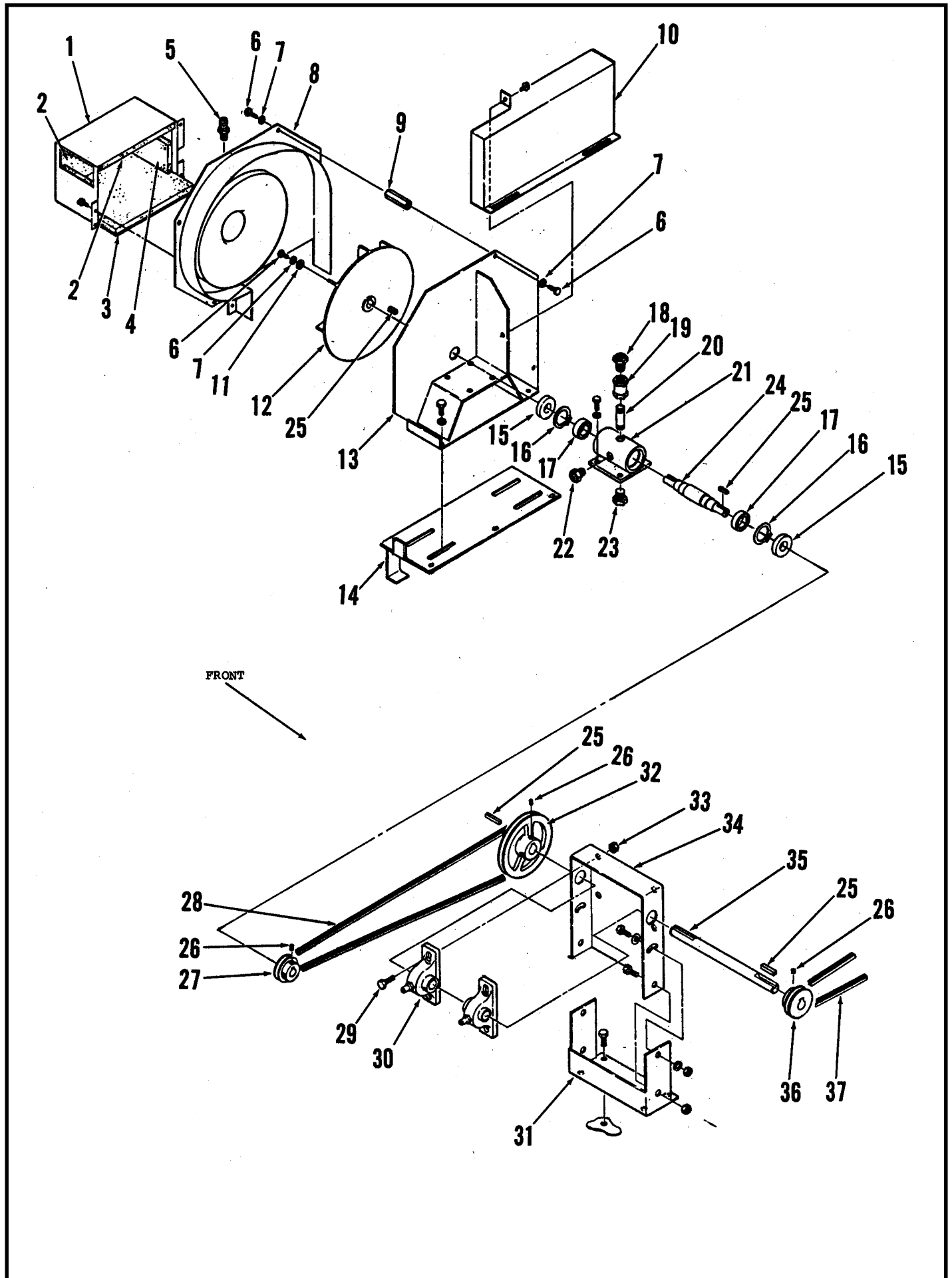
REAR WHEELS AND STEERING

Item	Part No.	Qty	Description
1		1	Hex Head Screw 3/8-16 x 2-1/2
2		3	Flat Washer 3/8
3	56454118	1	Angle
4		2	Hex Jam Nut 3/8-16
5	56454121	1	Bracket
6		2	Shakeproof Washer 5/16
7		2	Hex Head Screw 5/16-18 x 2-3/4
8	56454109	2	Pin
9		4	Flat Washer 1/2
10	56454079	2	Sprocket
11	56366633	4	Bearing
12	56454100	1	Steering Chain
13		9	Shakeproof Washer #10
14		3	Flat Washer #10
15		3	Pan Head Screw #10-24 x 3/8
16		1	Hex Head Screw 1/4-20 x 7/8
17		1	Lock Washer
18		1	Washer
19	56453526	1	Sprocket
20	56101737	2	Lube Fitting
21	56453542	1	Lock Tab
22	56110817	3	Castle Nut
23		3	Washer 7/8
24	56378380	1	Ball Bearing
25	56445118	1	Off-Set Link
26	56344362	1	Grease Fitting
27	56453530	1	Housing
28	56900074	1	Bearing Cup
29	56101370	1	Bearing Cone
30	56103845	1	Shaft Seal
31	56453536	1	Spindle
	56453529	1	Spindle Assembly
32	56101281	2	Washer
33	56453521	2	Wheel, (includes. Bearings & Seals)
34	56900073	2	Cup Bearing
35	56448171	2	Bearing Cone
36	56448167	2	Bushing
37	56448169	2	Seal
38	56456871	1	Chain Guard Panel
39	56456875	1	Chain Guard Panel
40	56449774	1	Steering Wheel Cap
41		1	Hex Nut 3/8
42		1	Shakeproof Washer
43	56477773	1	Steering Wheel TSB 649, F13
44	56154083	1	Woodruff Key
45	56454093	1	Shaft
46	56367095	3	Shaft Collar
47	56250414	3	Bearing
48	56124028	3	Woodruff Key
49	56454081	1	U-Joint
50	56454096	1	Shaft
51	56454098	1	Sprocket



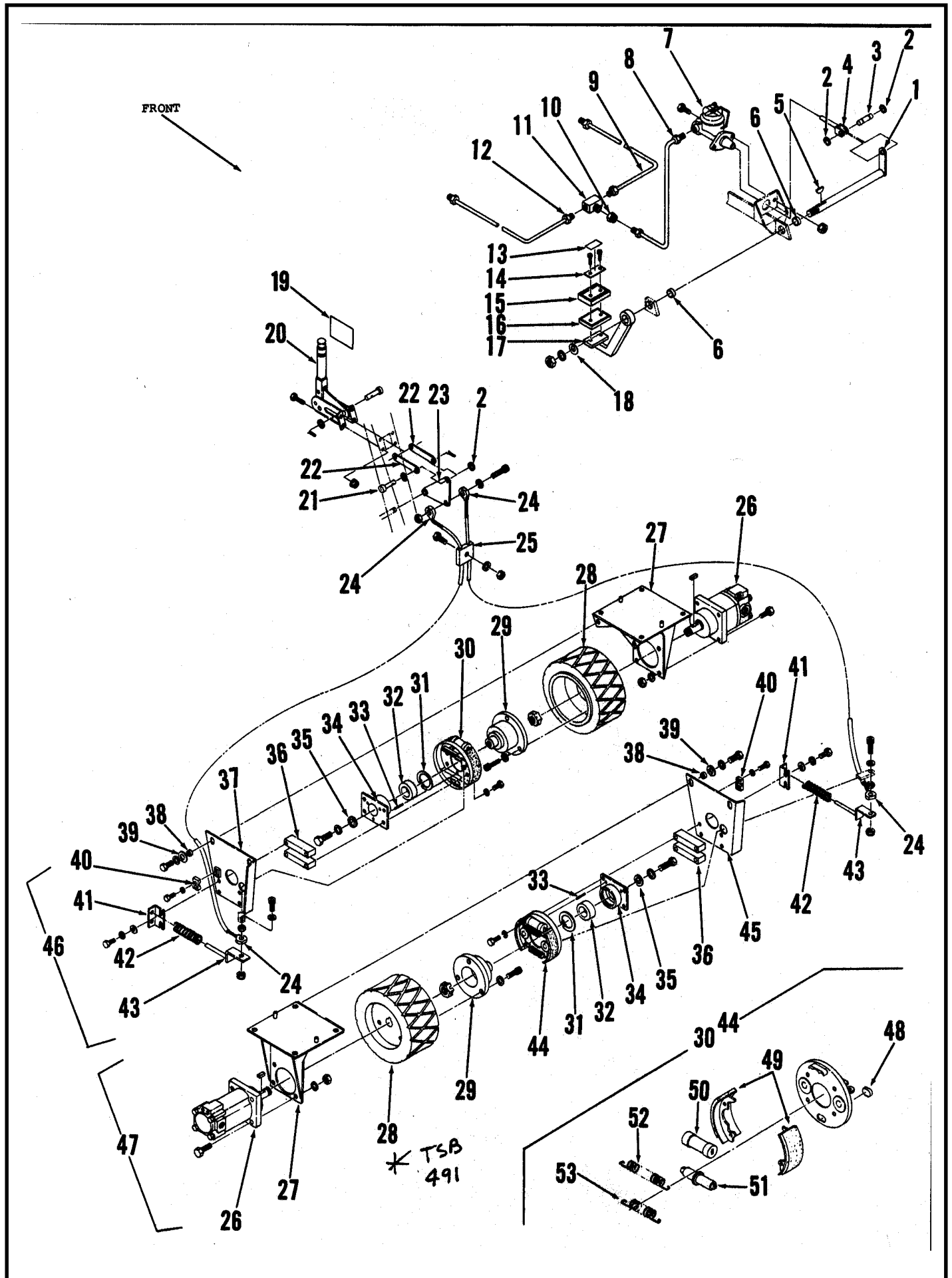
BROOM HOUSING AND FRONT SKIRTS

Item	Part No.	Qty	Description
1	56453750	1	Arm Weldment
2	56152781	4	Washer
3	56453742	1	Lever Weldment
4	56479430	2	Ball Bearing
5	56470636	1	Idler Lug
6	56470728	1	Bushing
7	56472091	1	Gasket 3/8 x 3/8 x 18-1/2
8	56453700	1	Broom Housing Weldment
9	56455251	1	Shaft
10	56479273	2	Pillow Block
11	56444944	2	Flanged Bearing
12	56444820	2	Collar
13	56505617	1	Main Broom
14	56453723	1	Angle
15	56453619	1	Front Skirt
16	56453718	1	Strap
17	56453575	1	Hopper Weldment
18	56209485	8	Pan Head Screw #10-24 x 1/2 SS
19	56458878	1	Skirt Assembly, Right
	56458880	1	Skirt Assembly, Left
20	56458844	1	Strap
21	56458932	1	Back-Up Blade
22	56458840	1	Blade
23	56458936	1	Plate
24	56458850	1	Mount Weldment, Right
25	56458852	1	Mount Weldment, Left
26	56458934	1	Plate
27	56458928	1	Blade
28	56458930	1	Back-Up Blade
29		6	Hex Head Screw 1/4-20 x 1.25
30	56458874	1	Strap
31		6	Hex Head Screw 1/4-20 x 1.00 HP-5



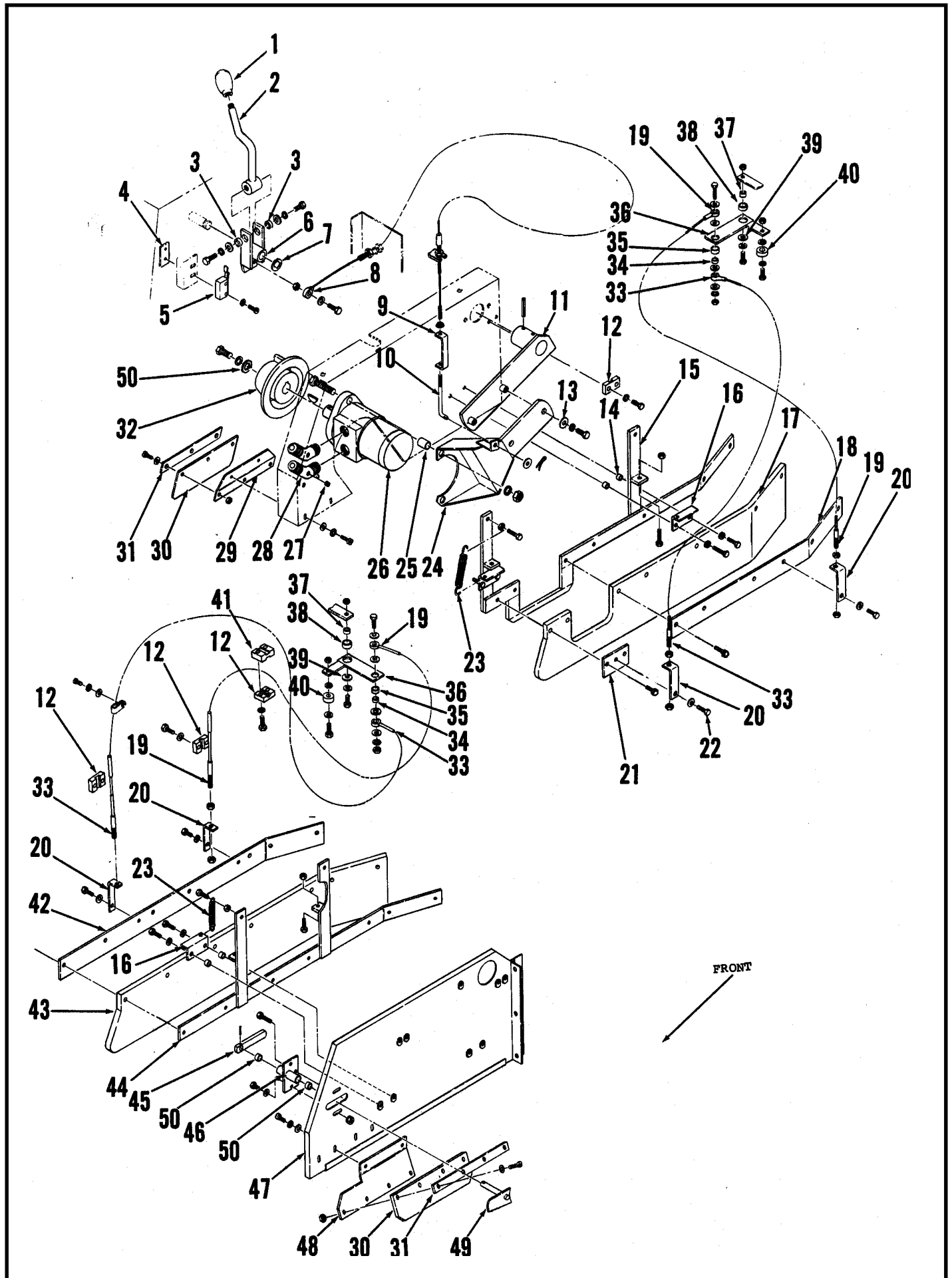
VACUUM IMPELLER ASSEMBLY

Item	Part No.	Qty	Description
1	56458652	1	Duct Weldment
2	56458664	2	Sound Reduction Foam
3	56458666	1	Sound Reduction Foam
4	56458668	2	Sound Reduction Foam
5	56477522	1	Barb
6		9	Screw, Hex Head 1/4-20 x 5/8
7		9	Washer Shakeproof 1/4
8	56458660	1	Scroll Weldment
9	56457339	4	Hex Spacer
10	56458646	1	Guard
11	56454626	1	Washer
12	56458622	1	Impeller
13	56458602	1	Mount Weldment
14	56458620	1	Bracket
15	56458624	2	Lip Seal
16	56444731	2	Retaining Ring
17	56900136	2	Ball Bearing
18	56458654	1	Breather
19	56220526	1	Coupler
20	56369624	1	Nipple 1/4 x 2
21	56458612	1	Housing Weldment
22	56458670	1	Sight Glass
23	56481546	1	Plug 1/8 NPT
24	56458626	1	Shaft
25	56740168	3	Square Key
26		2	Screw, Socket Set 5/16-18 x 5/16
27	56458690	1	Sheave
28	56458684	1	Belt
29		4	Screw, Cap Hex Head 7/16-14 x 1-1/4
30	56494506	2	Bearing, P.B. Assembly TSB 648, G6
31	56458632	1	Bracket
32	56458688	1	Sheave
33		4	Flanged Whiz Nut 7/16-14
34	56458636	1	Mount TSB 648, G6
35	56458638	1	Shaft TSB 648, G6
36	56458686	1	Sheave
37	56458682	1	Belt



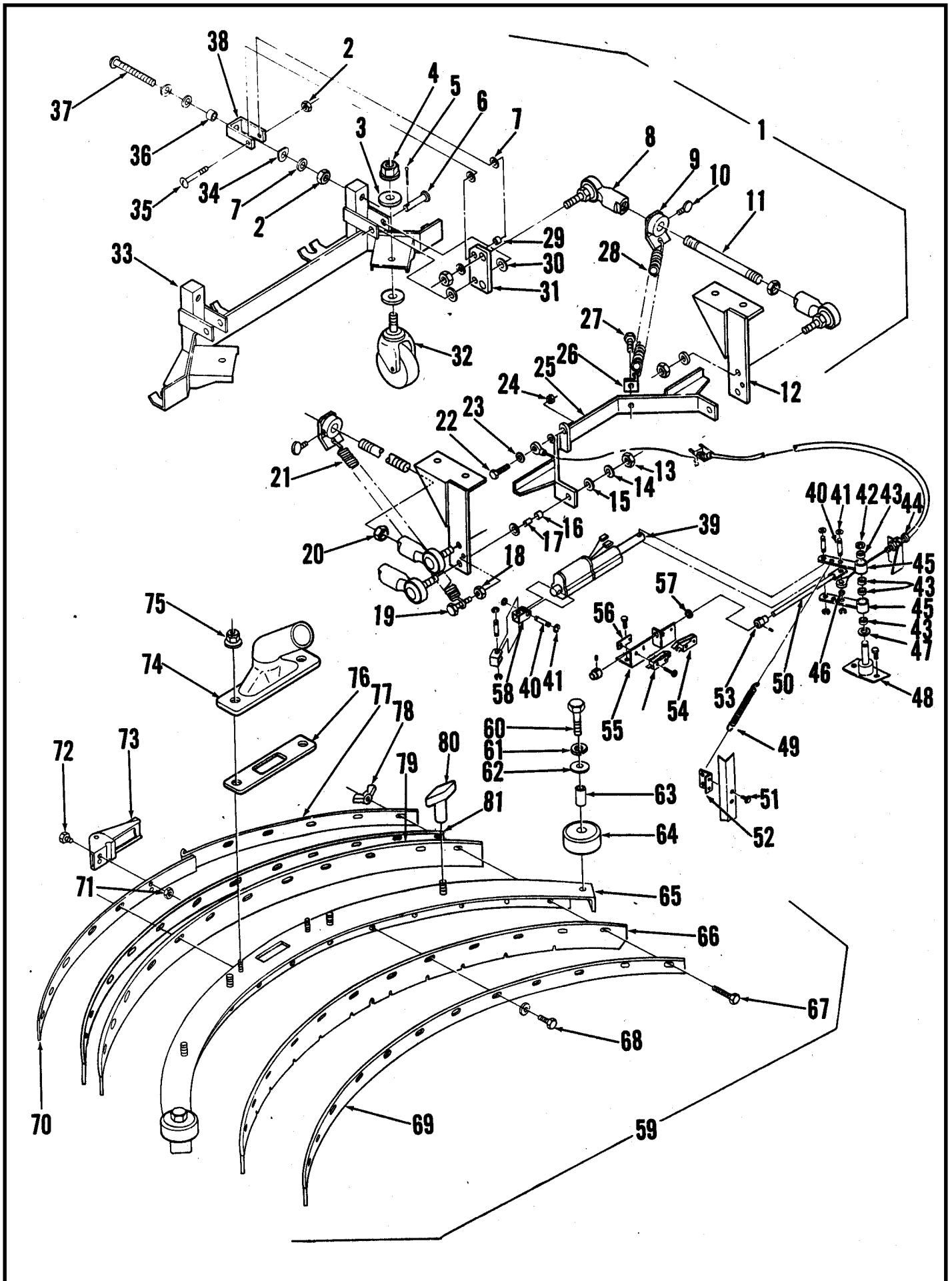
FRONT DRIVE WHEELS

Item	Part No.	Qty	Description	Item	Part No.	Qty	Description
1	56455347	1	Shaft Weldment	51	56480398	1	Adjuster Assembly
2	56321427	3	Retaining Ring	52	56480394	1	Shoe Return Spring
3	56477902	1	Pin	53	56480396	1	Adjuster Spring
4	56477909	1	Rod Weldment				
5	56124028	1	Woodruff Key				
6	56370878	2	Bearing Sleeve				
7	56477828	1	Master Cylinder				
8	56456845	1	Tube Assembly				
9	56456841	1	Tube Assembly				
10	56477831	1	Connector				
11	56477832	1	Tee Connector				
12	56456843	1	Tube Assembly				
13	56025122	1	Decal, Brake				
14	56365081	1	Plate				
15	56365082	1	Rubber Pad				
16	56365083	1	Pedal Cup				
17	56455341	1	Lever Weldment				
18	56367214	1	Washer				
19	56029494	1	Decal, Brake				
20	56448200	1	Lever Assembly, Hand Brake				
21	56455357	1	Pin				
22	56455361	2	Bar				
23	56455353	1	Lever Weldment				
24	56455307	2	Cable Assembly				
25	56455359	1	Clamp				
26	56456902	1	Motor (105-1076-006)				
	56456897	1	Seal Kit (for above Motor)				
27	56455319	1	Bracket Weldment				
28	56455313	2	Tire Assembly TSB 491 - G9				
29	56455348	2	Jack Shaft				
30	56477819	1	Stator Assembly, Right				
31	56456326	2	Retaining Ring				
32	56372773	2	Bearing				
33		6	Pin, Spring 1/4 x 3/4				
34	56455340	2	Bracket Weldment				
35	56244832	2	Washer				
36	56455339	4	Bar				
37	56455329	1	Bracket Weldment				
38	56367206	4	Bushing				
39	56367214	4	Washer				
40	56477884	2	Clamp				
41	56455363	2	Bracket				
42	56373869	2	Spring				
43	56455371	2	Bracket Weldment				
44	56477822	1	Stator Assembly, Left				
45	56455335	1	Bracket Weldment				
46	56455315	1	Wheel Assembly, Right				
47	56455317	1	Wheel Assembly, Left				
48	56480400	1	Plug				
49	56477838	2	Shoes, Brake (Set of 2 Shoes) NOTE: (2) sets required per machine				
50	56480378	1	Wheel Cylinder, Left				
	56480380	1	Wheel Cylinder, Right				



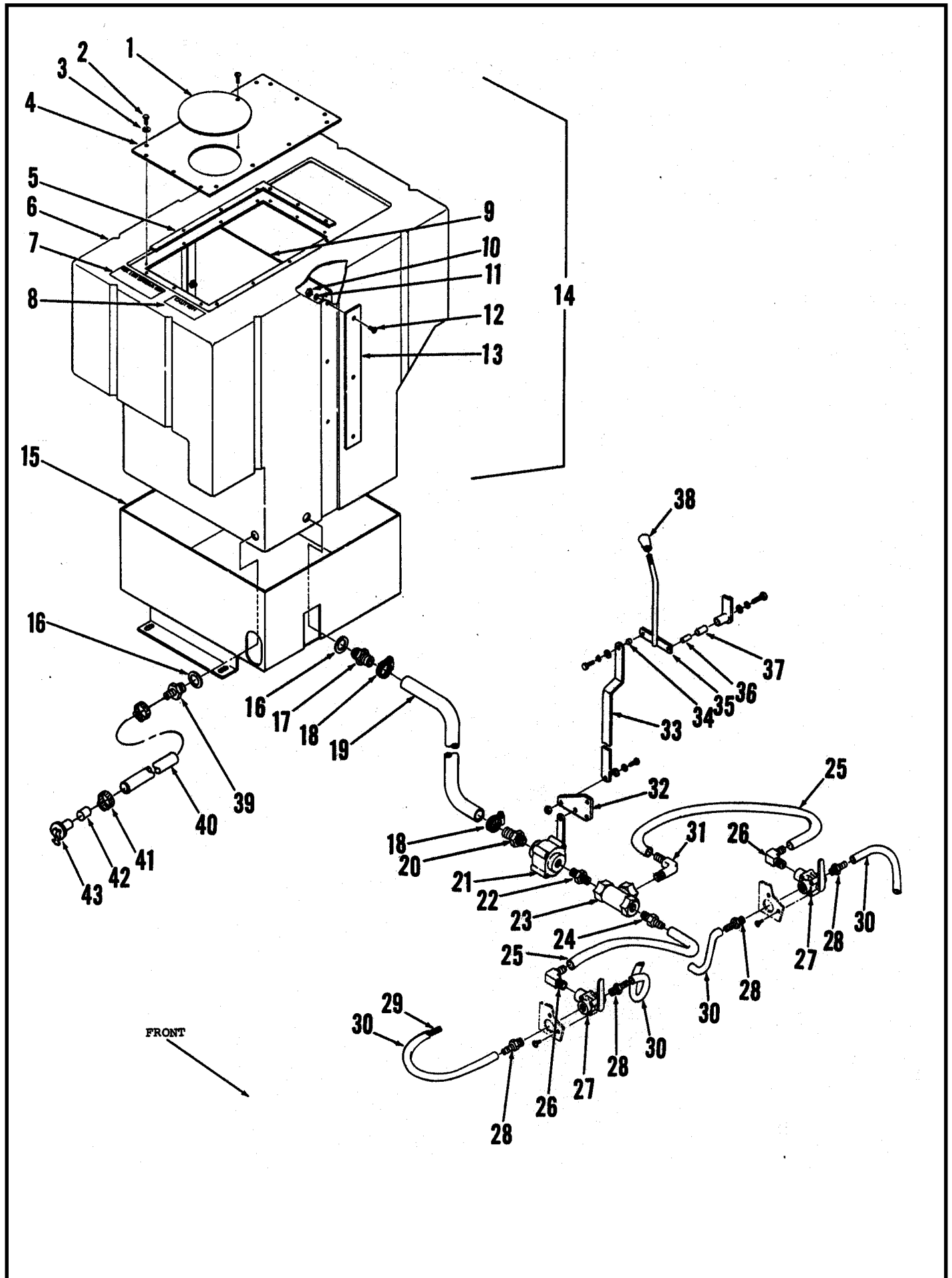
SWEEPING BROOM MOTOR, SIDE SKIRTS

Item	Part No.	Qty	Description
1	56364527	1	Knob
2	56455640	1	Broom Lift Handle
3	56320595	2	Bushing
4	56376015	1	Nut Plate
5	56388019	1	Switch
6	56455632	1	Broom Lift Lever
7	56477775	1	Retaining Ring
8	56454150	1	Broom Lift Cable Assembly
9	56454152	1	Turn Buckle
10	56350079	1	Linkage Rod
11	56455249	1	Lever Weldment
12	56477884	8	Cable Clamp
13	56152781	4	Washer 3.43 x .93 x .12
14	56453691	8	Spacer
15	56458888	1	Strap Weldment
16	56453687	4	Strap
17	56458896	1	Left Blade
18	56458900	1	Strap
19	56453845	2	Cable Assembly
20	56453831	4	Linkage
21	56458898	1	Strap
22		4	Bolt, Hex Head 1/4-20 x 3/8 HP-5
23	56370746	4	Extension Spring
24	56455239	1	Bracket Weldment
25	56457734	2	Bushing .50 x .62 x 1.0
26	56457728	1	Broom Drive Motor MF030610CCCA
	56503002	1	Seal Kit (for above Motor)
27	56481546	2	Plug 1/8 27 NPT
28	56457732	2	Elbow 45 STR Thread
29	56453856	1	Plate
30	56453865	2	Blade
31	56453862	2	Strap
32	56455237	1	Hub
33	56468460	2	Cable Assembly
34	56453849	2	Bushing
35	56368970	2	Sleeve Bearing
36	56453703	2	Lever Weldment
37	56365030	2	Bushing
38	56478781	2	Sleeve Bearing
39	56367214	2	Washer .515 x .93 x .07
40	56228051	2	Ball Bearing TSB 630, F-14
41	56453843	2	Cable Clamp
42	56458904	1	Strap
43	56458908	1	Blade
44	56458906	1	Strap Weldment
45	56479371	1	Handle
46	56453680	1	Bracket Weldment
47	56453676	1	Door Weldment
48	56453854	1	Plate
49	56453690	1	Latch Weldment
50	56491658	2	Sleeve Bearing 3/8



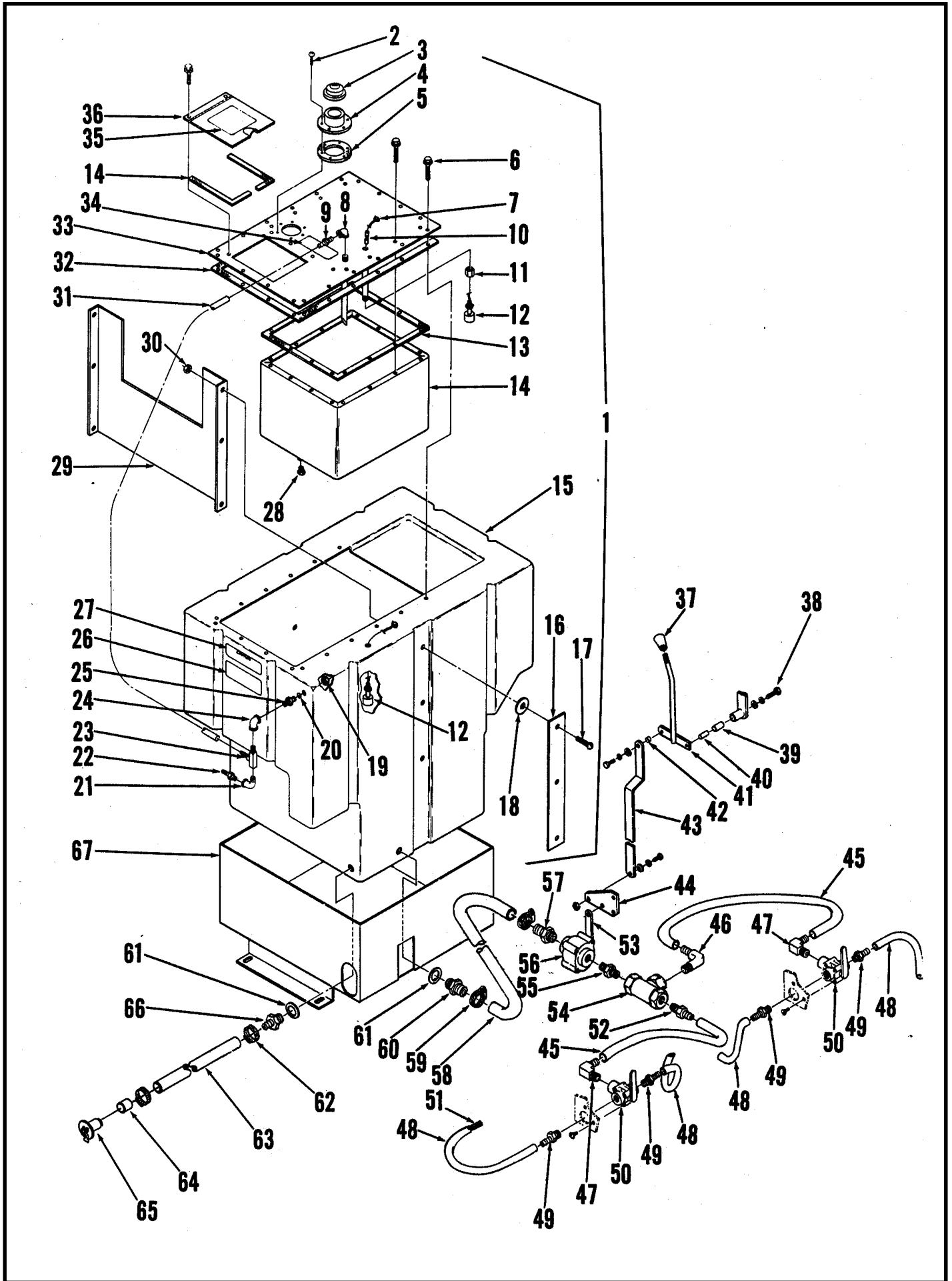
SQUEEGEE TOOL AND LIFT SYSTEM

Item	Part No.	Qty	Description	Item	Part No.	Qty	Description
1	56458882	1	Mount Assembly (#1-38)	53	56453314	2	Collar
2		4	Hex Nut, 1/4-20	54	56376433	2	Switch
3	56001879	4	Wsh, Flt SAE 1/2 (See Note #1)	55	56457892	1	Mounting Plate
4	56002770	2	Nut, Hex Nyl Loc 1/2-13 (See Note #1)	56	56367015	2	Nut Plate
5		2	Cotter Pin	57	56329098	1	Nylon Bearing
6	56487989	2	Cleaver Pin	58	56453145	1	Plate Weldment
7		12	Washer, SAE 1/4	59	56458816	1	Squeegee Assembly
8	56477813	8	Ball Joint	60		2	Screw 5/16-18 x 2.00
9	56454276	2	Collar Weldment	61		2	Lock Washer 5/16
10	56754374	2	Thumb Screw .25 x .50	62		6	Washer 5/16
11	56454273	2	Rod	63	56454249	2	Bushing
12	56456783	2	Bracket Weldment	64	56386127	2	Wheel 3.00 x 1.25
13		8	Jam Nut 1/2-20	65	56458808	1	Tool Weldment
14		8	Washer, Shakeproof 1/2	66	56455608	1	Blade*
15	56367214	4	Washer .515 x .93 x .07	67		2	Screw 1/4-20 x 1.50
16	56491656	2	Bearing Sleeve .627	68		11	Screw 1/4-20 x .50
17	56360627	2	Bushing .50 x .62 x .41	69	56458810	1	Hold Down Strap
18		2	Hex Jam Nut, 1/4-20	70	56458814	1	Hold Down Strap
19		2	Hex Head Screw 1/4-20 x 1	71		2	Keps Nut #6-32
20		4	Hex Nut 1/4-20	72		2	Screw #6-32 x .31
21	56448112	2	Ext. Spring .56 x 4.25	73	56471194	1	Latch Assembly
22		1	Screw, 1/4-20 x 3/4	74	56454223	1	Adapter Assembly
23		1	Washer 1/4	75		2	Flanged Whiz Nut 1/4-20
24		1	Keps Nut 1/4-20	76	56454224	1	Gasket
25	56458818	1	Lifter Weldment	77	56458812	1	Strap
26	56482208	1	Tab	78	56201677	2	Lock Wing Nut 1/4-20
27		1	Screw #10-24 x .5	79	56454209	1	Blade*
28	56358560	1	Ext. Spring	80	56370711	4	Thumb Screw
29	56366862	2	Bushing	81	56454215	1	Blade*
30	56150142	4	Washer	<u>Squeegee Blade Kits</u>			
31	56454288	2	Plate	Include one each of #66, 79, 81			
32	56407344	2	Caster, (See Note #1)	*	56458914	1	Standard (Gum Rubber)
33	56458836	1	Mount Weldment	*	56458916	1	Oil Resistant (Urethane)
34	56163880	4	Spring Washer .375	<p>Note #1: The original caster had a threaded shaft of 3/8", this caster (56407344) has a 1/2" diameter shaft. When replacing a caster you will need to order 1/2" nuts (56002770) and 1/2" washers (56001879). The hole in (33) Mount Weldment will have to be drilled out to a diameter of 1/2" to accommodate the new casters. Replace both casters together if replacing a caster with a 3/8" shaft.</p>			
35		2	Screw 1/4-20 x 1.50				
36	56206784	2	Bushing				
37		2	Screw 1/4-20 x 2.25				
38	56454285	2	Yoke				
39	56457822	1	Squeegee Lift Actuator TSB 544 - G8				
40	56457826	4	Pin				
41	56321125	8	Retaining Ring				
42	56468834	1	Retaining Ring				
43	56491660	4	Plastic Bearing Sleeve				
44	56457820	1	Cable Assembly				
45	56453125	2	Arm Weldment				
46	56368997	1	Bushing				
47	56367206	1	Washer				
48	56457840	1	Pivot Weldment				
49	56398606	2	Spring				
50	56453276	1	Rod				
51		2	Screw #10-24 x 1/2				
52	56457904	1	Plate				



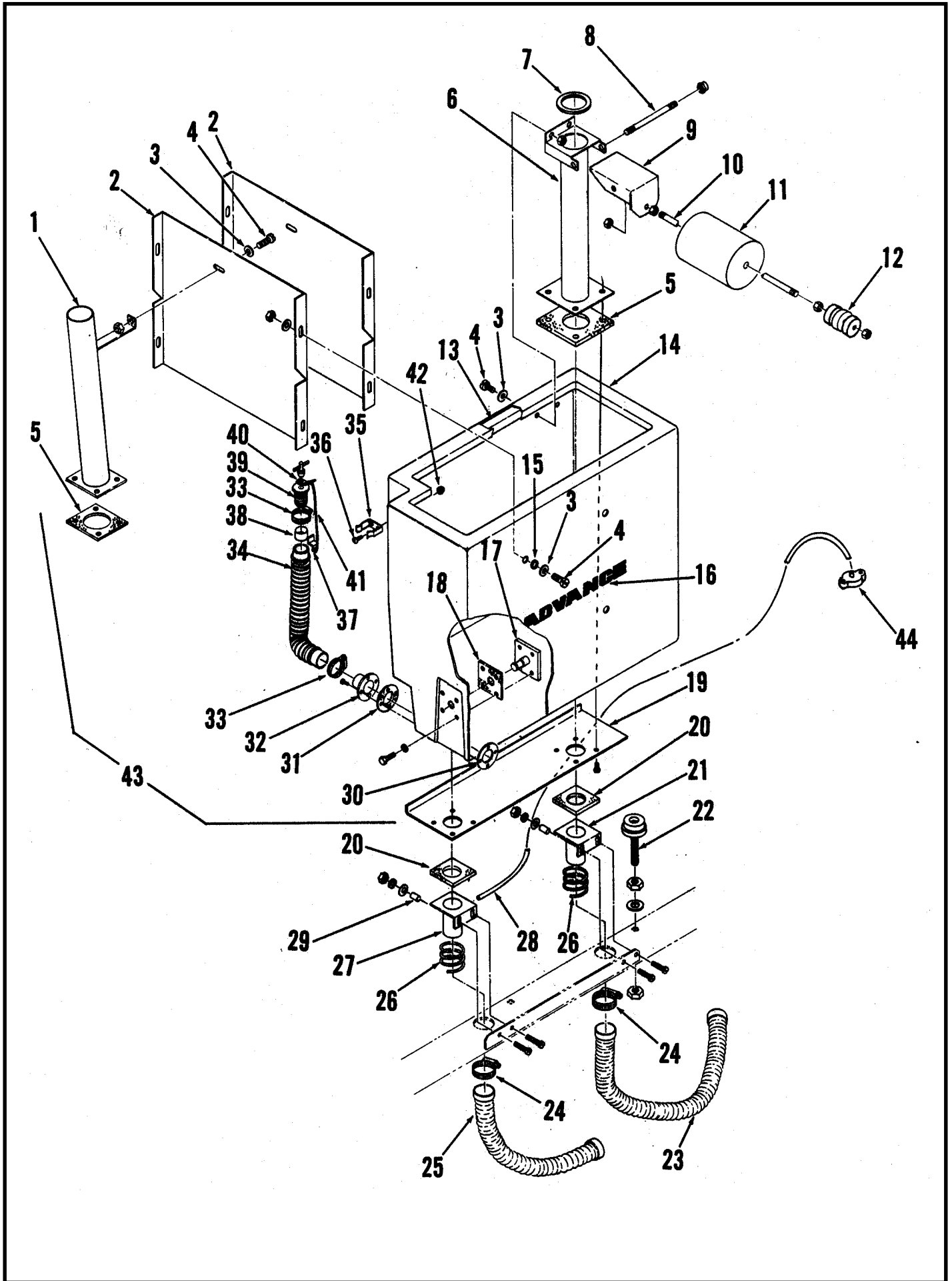
STANDARD SOLUTION TANK ASSEMBLY

Item	Part No.	Qty	Description
1	56457072	1	Cover
2		15	Screw PH Pan Head #10-24 x .75
3		15	Washer SAE #10
4	56456064	1	Cover
5	56209434	6	Gasket 1/8 x 1/2
6	56456048	1	Solution Tank
7	56016185	1	Decal, Low Sudsing
8	56016057	1	Decal, Caution
9	56456062	1	Baffle
10		6	Brass Nut 1/4-20
11	56900737	6	Sealing Washer
12		6	Screw PH RD Head SS 1/4-20 x .75
13	56456066	2	Strap
14	56456074	1	Solution Tank Assembly (#1-13)
15	56456050	1	Base Weldment
16	56456068	2	Sealing Washer
17	56456060	1	Barb
18	56456797	2	Hose Clamp
19	56456831	1	Hose
20	56456801	1	Hose Insert 3/4 NPT
21	56456617	1	Valve Assembly
22	56456799	1	Nipple 3/4 NPT PVC
23	56456803	1	Tee
24	56456801	1	Insert Hose 3/4 NPT
25	56456835	2	Hose
26	56244985	2	Barb
27	56454612	2	Flow Control Valve
28	56749202	4	Barb
29	56373792	4	Spring
30	56456830	4	Tube, 3/8 x 10.00
31	56456802	1	Combination Elbow
32	56456827	1	Lever
33	56456821	1	Linkage
34	56368997	3	Bushing
35	56455643	1	Lever Weldment
36	56471220	1	Bushing
37	56200972	1	Bushing
38	56364527	1	Knob
39	56456058	1	Barb
40	56379139	1	Tube, PVC
41	56244969	2	Hose Clamp
42	56456070	1	Cuff Tube
43	56210156	1	Seal Cap



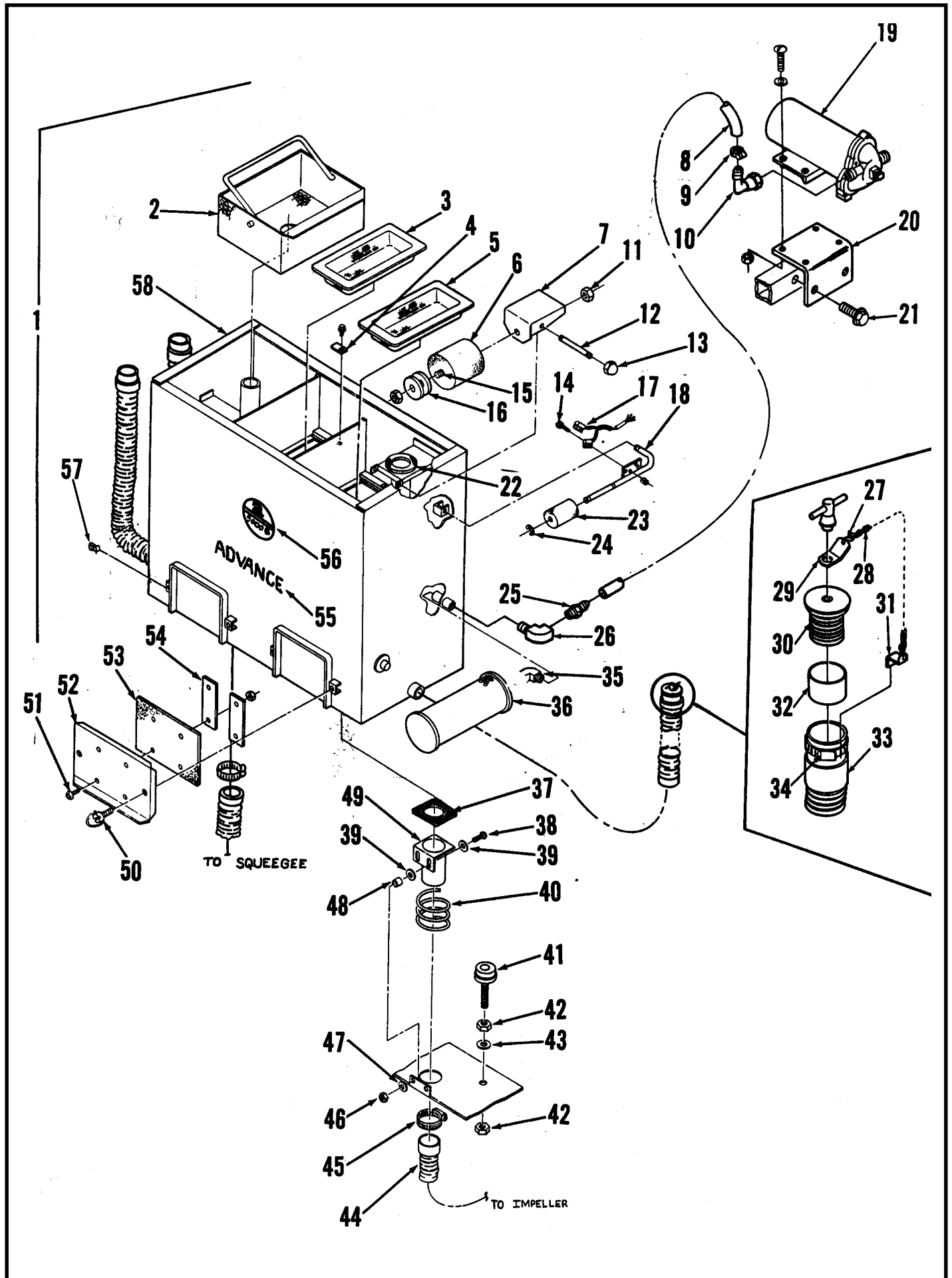
HYDRO-MAX SOLUTION TANK ASSEMBLY

Item	Part No.	Qty	Description	Item	Part No.	Qty	Description
1	56456159	1	Solution Tank Assembly	49	56749202	4	Barb
2		6	Screw #10-24 x 3/4	50	56454612	2	Flow Control Valve
3	56478502	1	Cap	51	56373792	4	Spring
4	56456137	1	Filler Weldment	52	56456801	1	Hose, Insert 3/4 NPT
5	56456104	1	Gasket	53	56454280	1	Handle
6			Screw #8-32 x 3/8	54	56456803	1	Tee
7	56900218	2	Plug Connector	55	56456799	1	Nipple 3/4 NPT
8	56111295	1	Elbow	56	56456617	1	Valve Assembly
9	56755162	1	Metering Barb	57	56456801	1	Hose Insert 3/4 NPT
10	56249591	7"	Tube	58	56456831	1	Hose
11	56749649	1	Coupler 1/8 NPT	59	56456797	2	Hose Clamp
12	56456176	2	Switch Assembly	60	56456060	1	Barb
13	56200754	6'	Gasket 1/16 x 1/2	61	56456068	2	Sealing Washer
14	56456098	1	Chemical Tank	62	56244969	2	Hose Clamp
15	56456143	1	Solution Tank	63	56379139	1	PVC Tube
16	56456066	2	Strap	64	56456070	1	Cuff Tube
17		6	Screw 1/4-20 x 3/4 SS	65	56210156	1	Seal Cap
18	56900737	6	Sealing Washer	66	56456058	1	Barb
19	56745860	1	Nut, Jam 5/8-18 Brass	67	56456050	1	Base Weldment
20	56742552	1	O-Ring				
21	56745540	1	Elbow				
22	56443972	1	Barb				
23	56260170	1	Chemical Injector				
24	56757310	1	Elbow, 3/8 NPT ST				
25	56172072	1	Nipple				
26	56016185	1	Decal, Low Sudsing				
27	56016057	1	Decal, Caution				
28	56740136	1	Plug, 1/4 NPT				
29	56456138	1	Baffle				
30		6	Nut, Brass 1/4-20				
31	56755724		Tube, .25				
32	56209434	5'	Gasket 1/8 x 1/2				
33	56456135	1	Panel Weldment				
34	56025596	1	Decal, Note				
35	56025590	1	Decal, Detergent Ratio				
36	56449897	1	Cover Weldment				
37	56364527	1	Knob				
38			Screw 1/4-20 x 1/2				
39	56200972	1	Bushing				
40	56471220	1	Bushing				
41	56455643	1	Lever Weldment				
42	56368997	3	Bushing				
43	56456821	1	Linkage				
44	56456827	1	Lever				
45	56456835	2	Hose				
46	56456802	1	Combination Elbow				
47	56244985	2	Barb				
48	56456830	4	Tube 3/8 x 10.00				



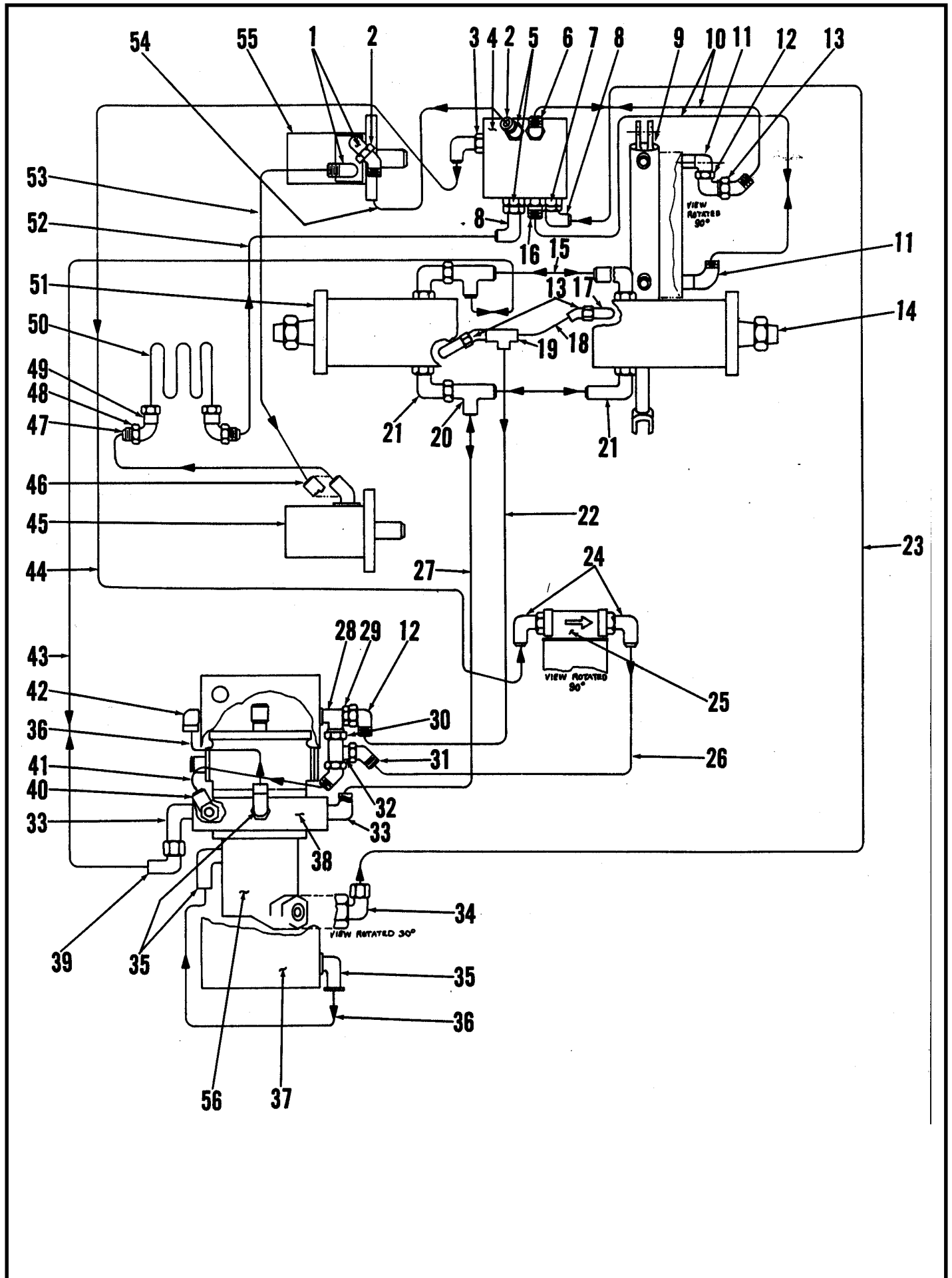
STANDARD RECOVERY TANK

Item	Part No.	Qty	Description
1	56457318	1	Tube Weldment
2	56454752	2	Baffle
3	56454626	22	Washer .26 x 1.00 x .074
4	56576520		Screw SS .25 x .875
5	56454709	2	Gasket
6	56457312	1	Tube Weldment
7	56454253	1	Gasket
8	56454727	1	Rod
9	56454751	1	Baffle
10	56454724	1	Rod
11	56385349	1	Float
12	56454721	3	Weight
13	56454731	1	Tube Square
14	56457644	1	Recovery Tank
15	56900737	20	Sealing Washer .25
16	56015326	1	Decal, Advance
17	56454778	2	Hinge
18	56454712	2	Gasket
19	56457316	1	Plate
20	56454272	2	Gasket
21	56454262	2	Tube Weldment
22	56449221	2	Bumper
23	56456877	1	Hose 2" x 66"
24	56440213	4	Hose Clamp SAE #32
25	56457019	1	Hose
26	56454250	2	Spring, Comp.
27	56457088	1	Tube Weldment
28	56457094	1	Hose
29	56454275	4	Bushing
30	56457313	1	Nut Plate
31	56454706	1	Gasket
32	56454764	1	Tube Weldment
33	56329145	2	Hose Clamp SAE 24
34	56372216	1	Drain Hose
35	56404336	1	Hose Storage Clamp
36	56209485	2	Screw, Pan Head #10-24 x 1/2 SS
37	56376944	1	Hose Clip
38	56376940	1	Cuff Tube
39	56376948	1	T-Handle Plug
40	56376942	1	Plug Clip
41	56209992	1	Chain
42		2	Acorn Nut #10-24
43	56457646	1	Recovery Tank Assembly
44	56479112	1	Vacuum Switch



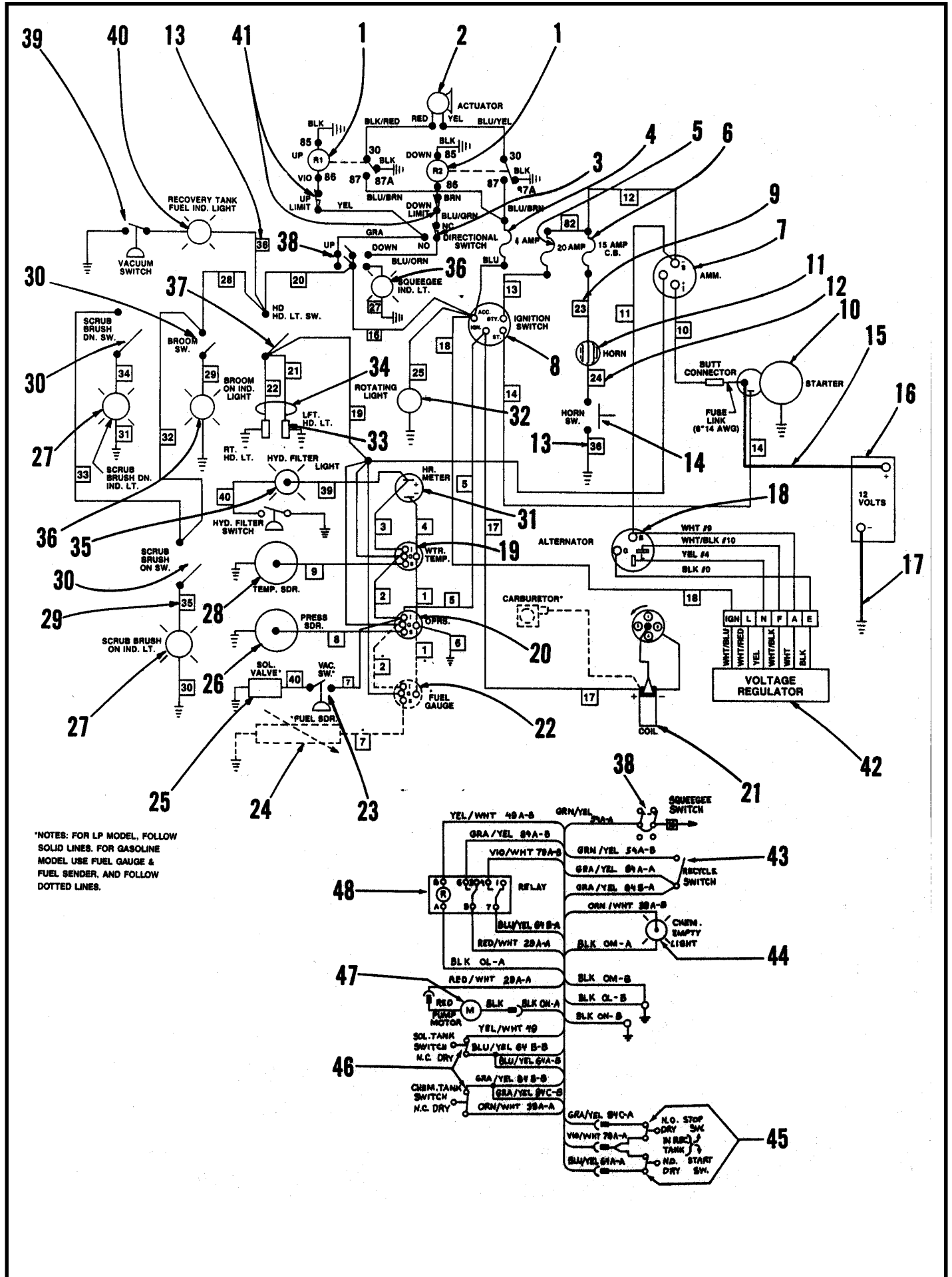
HYDRO-MAX RECOVERY TANK ASSEMBLY

Item	Part No.	Qty	Description	Item	Part No.	Qty	Description
1	56456161	1	Recovery Tank Assembly	45	56440213	4	Hose Clamp
2	56456042	1	Basket Weldment	46		4	Hex Nut #10-24
	56456131	1	Basket Handle	47		4	Shakeproof Washer #10
3	56456032	1	Panel Screen	48	56454275	4	Bushing
4	56456037	4	Retaining Tab	49	56454262	2	Tube Weldment
5	56456033	1	Panel Screen	50	56448104	4	Screw Fastener
6	56385349	1	Float	51		8	Screw, BR RD Head 1/4-20
7	56456030	1	Baffle	52	56456040	2	Cover
8	56456749	1	PVC Tube	53	56456038	2	Door Gasket
9	56112771	2	Hose Clamp	54	56456039	4	Retainer Strap
10	56261246	2	Elbow	55	56015326	1	Decal, Advance
11		2	Hex Flex-Loc Nut 1/4-20	56	56025330	1	Decal, 5000
12	56454727	1	Rod	57	56468960	4	Receptacle Screw
13		2	Cap Nut 1/4-20	58	56456147	1	Tank Weldment
14	56209485	4	Screw SS #10 x .50				
15	56454724	1	Rod				
16	56454721	3	Weight				
17	56388167	2	Mercury Switch				
18	56456119	1	Rod Weldment				
19	56456172	1	Pump Assembly				
20	56456144	1	Pump Mount				
21		2	Screw, Hex Washer Head #10-24				
22	56454253	1	Gasket				
23	56456023	1	Foam Float				
24	56321125	2	Retaining Ring Ext 1/4 E				
25	56118117	1	Barb				
26	56742125	2	Elbow				
27	56745391	3	Hook				
28	56209992	3	Chain				
29	56376942	3	Plug Clip				
30	56376948	3	T-Handle Plug				
31	56376944	3	Hose Clip				
32	56376940	3	Cuff Tube				
33	56372216	3	Hose Drain				
34	56329145	6	Hose Clamp				
35	56749229	1	Nipple				
36	56456035	1	Strainer				
37	56454272	2	Gasket				
38		4	Screw, Pan Head #10-24 x 3/4				
39		8	Flat Washer #10				
40	56454250	2	Compression Spring				
41	56449221	2	Bumper				
42		4	Hex Nut 1/2-13				
43		2	Flat Washer 1/2				
44	56456877	1	Hose, 2" x 66"				



HYDRAULIC DIAGRAM

Item	Part No.	Qty	Description	Item	Part No.	Qty	Description
1	56456958	2	Elbow, 3/4-16 90	47	56900469	1	Reducer
2	56900324	2	Elbow with Nut -8 45	48	56900506	1	Nut
3	56900119	1	Elbow 90	49	56900306	2	Elbow 90 with Nut -12
4	56492196	1	Control Valve	50	56457282	1	Oil Cooler Hydraulic
5	56900020	2	Adapter ST Thread 3/4-16	51	56456902	1	Drive Motor 15.3 CID 105-1076-006
6	56900110	1	Elbow 90		56456987	1	Seal Kit (for above Motor)
7	56900004	1	Connector	52	56480928	1	Hose Assembly
8	56900304	2	Elbow with Nut 90	53	56456901	1	Hose Assembly 5/8 x 60"
9	56449748	1	Cylinder	54	56480916	1	Hose Assembly
	56449755	1	Seal Kit	55	56457728	1	Brush Motor MF030610CCCA
10	56458672	2	Hose Assembly		56503002	1	Seal Kit (for above Motor)
11	56488580	2	Elbow, Male	56	56458691	1	Accessory Pump
12	56900301	2	Elbow with Nut 90				
13	56900321	3	Elbow with Nut -4 45				
14	56456902	2	Drive Motor 15.3 CID 105-1076-006				
	56456897	1	Seal Kit (for above Motor)				
15	56456903	2	Hose Assembly 5/8 x 20				
16	56900011	1	Connector O/R-6				
17	56900151	2	Elbow, O/R-4				
18	56490167	1	Hose Assembly 24"				
19	56900341	1	Tee Run with Nut -4				
20	56900345	2	Tee Run with Nut -10				
21	56900116	4	Elbow, O/R-10-12 90				
22	56456919	2	Hose Assembly 3/16 x 42"				
23	56456925	1	Hose Assembly				
24	56481344	2	Elbow, Male				
25	56456449	1	Filter Assembly				
26	56482036	1	Hose Assembly				
27	56456923	1	Hose Assembly 3/4 x 33				
28	56479770	1	Tee, 1/2				
29	56456938	1	Adapter, Male 1/4 OD				
30	56456447	1	Check Valve				
31	56900326	2	Elbow SW E1-12 45				
32	56900346	1	Tee, Run with Nut				
33	56456990	2	Elbow, 1 1/16-12 90				
34	56900114	1	Elbow, O/R-8-10 90				
35	56900106	2	Elbow, O/R-12 90				
36	56456911	2	Hose Assembly .75 x 21"				
37	56456750	1	Hydraulic Reservoir Weldment				
38	56481985	1	Propulsion Pump				
39	56456961	1	Elbow 90				
40	56900117	1	Elbow O/R-12-16 90				
41	56456913	1	Hose Assembly .75 x 35"				
42	56900585	1	Elbow, Female 90				
43	56456933	1	Hose Assembly 3/4 x 40"				
44	56455772	1	Hose				
45	56457728	1	Broom Motor MF030610CCCA				
	56503002	1	Seal Kit (for above Motor)				
46	56457732	2	Elbow STR Thread 45				

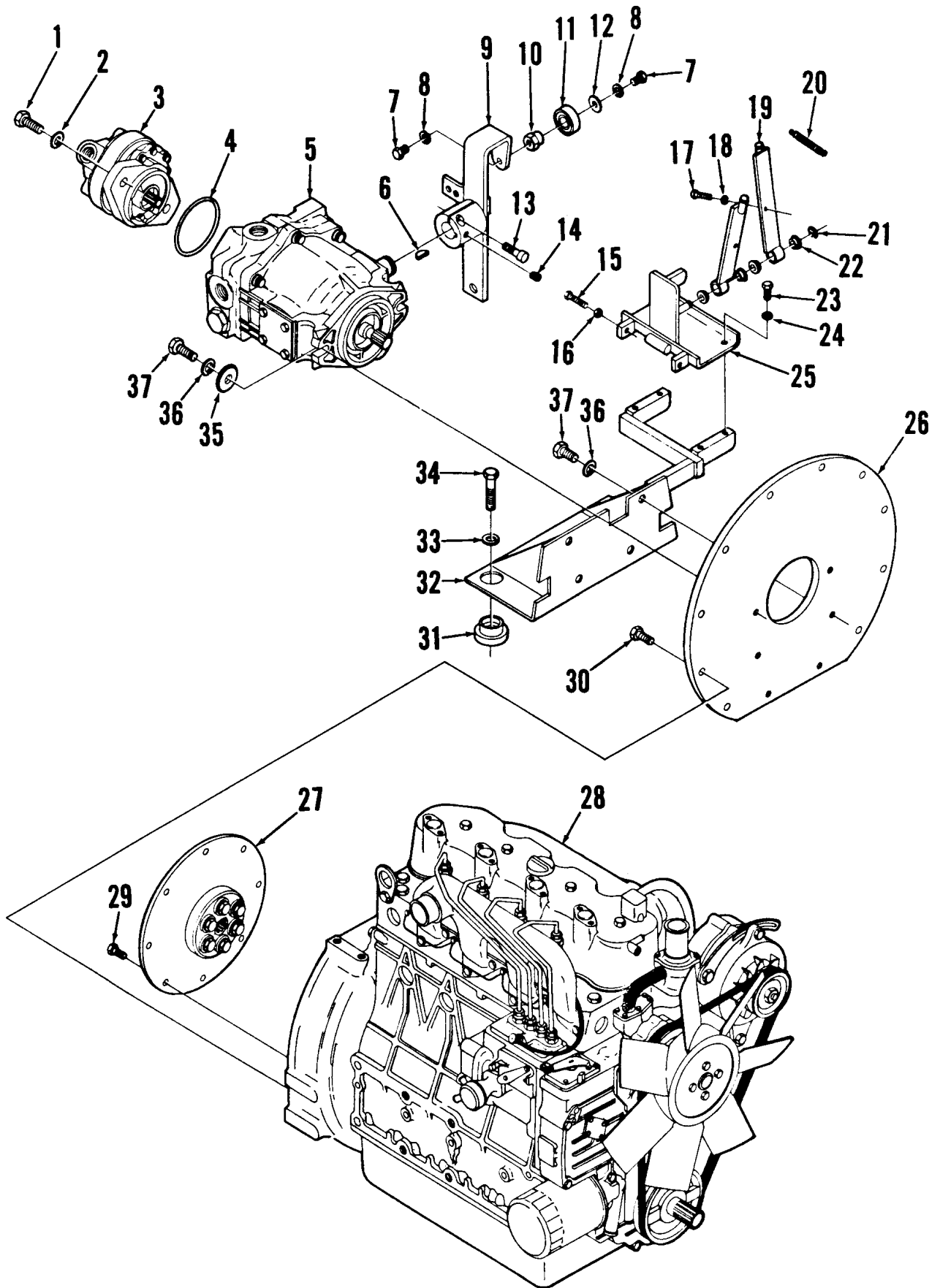


WIRING DIAGRAM

Item	Part No.	Qty	Description
1	56457910	2	Relay
2	56457822	1	Actuator
3	56388532	1	Switch, Snap SPST
4	56406346	1	4 Amp Fuse Holder
5	56441988	1	Fuse, 20 Amp
6	56478271	1	Fuse, 15 Amp
7	56489594	1	Amp Meter
8	56478640	1	Key Switch
9	56456452	1	Wire Assembly #14 x 8.25
10	56481577	1	Starter
11	56442054	1	Horn, 12V
12	56456450	1	Wire Assembly #14 x 23.50
13	56456446	1	Wire Assembly #14 x 3.50
14	56441555	1	Switch, Start SPST
15	56363979	1	Cable Assembly #4 x 19.00
16	56441511	1	Battery 12V
17	56456458		Cable Assembly #4 x 18.00
18	56456628	1	Regulator
19	56489600	1	Temperature. Gauge
20	56489592	1	Pressure Gauge
21	56481579	1	Coil
22	56489598	1	Fuel Level Gauge
23	56456632	1	Vacuum Switch
24	56478358	1	Fuel Level Sender
25	56456626	1	Shut-Off Valve
26	56478698	1	Pressure Sender
27	56456464	2	Green Indicator Light
28	56481888	1	Temperature Sender
29	56456456	1	Wire Assembly #14 x 6.00
30	56388019	3	Switch, Snap SPST NC
31	56478363	1	Hour Meter
32	56489639	1	Rotating Light TSB603, G-4
33	56454528	2	Head Light
34	56456462	1	Wire Harness
35	56456469	1	Red Indicator Light
36	56457860	2	Green Indicator Light
37	56207071	1	Toggle Switch DPST
38	56468359	1	Toggle Switch DPST
39	56479112	1	Vacuum Switch
40	56456467	1	Amber Indicator Light
41	56376433	2	Switch with 25 ACT
42	56481575	1	Voltage Regulator

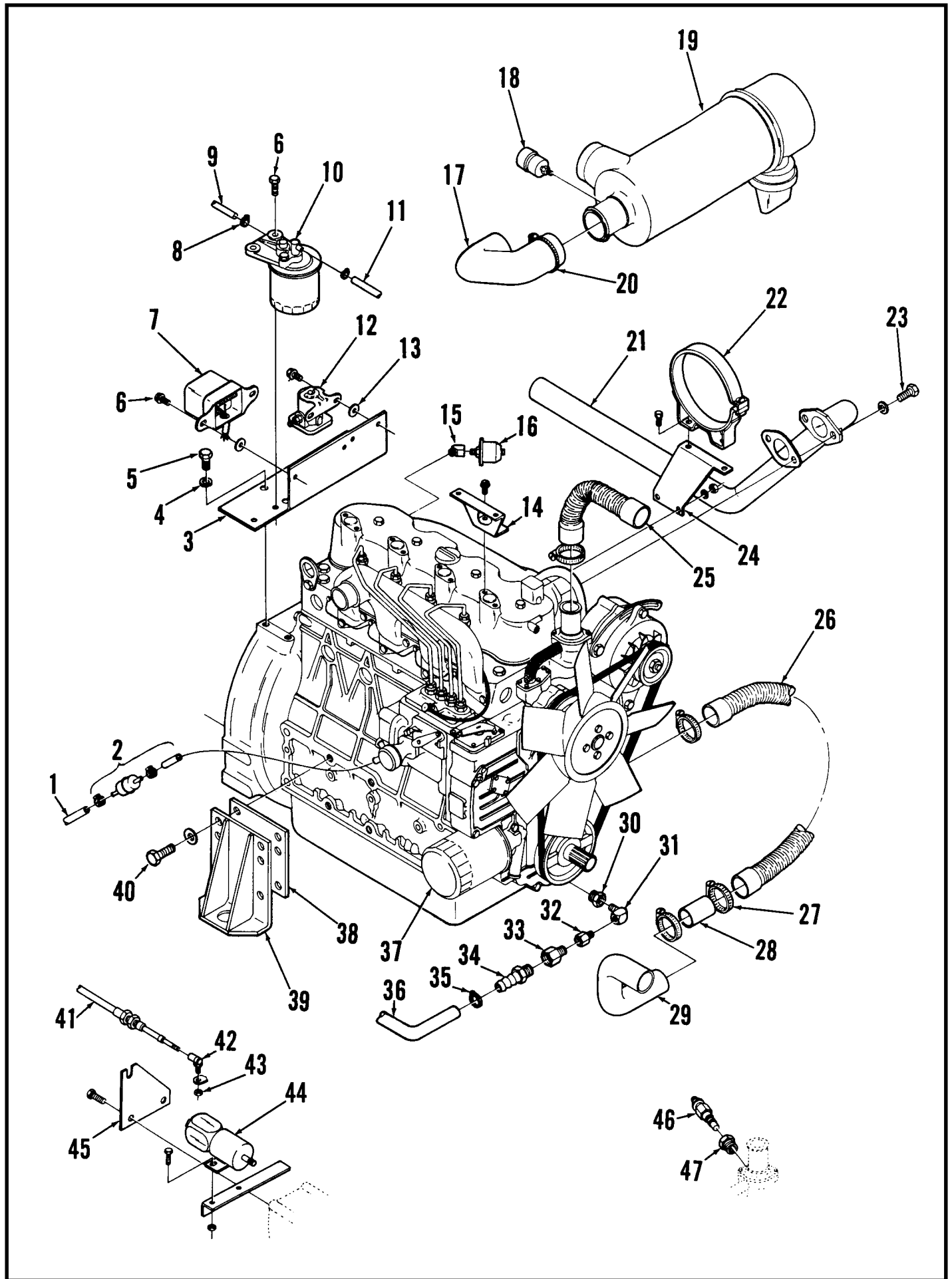
The following Parts are for Hydro-Max Machines only.

43	56207071	1	Toggle Switch DPST
44	56456544	1	Amber Indicator Light
45	56388167	2	Switch Mercury
46	56456176	2	Switch Assembly
47	56456172	1	Pump Assembly
48	56457888	1	Relay



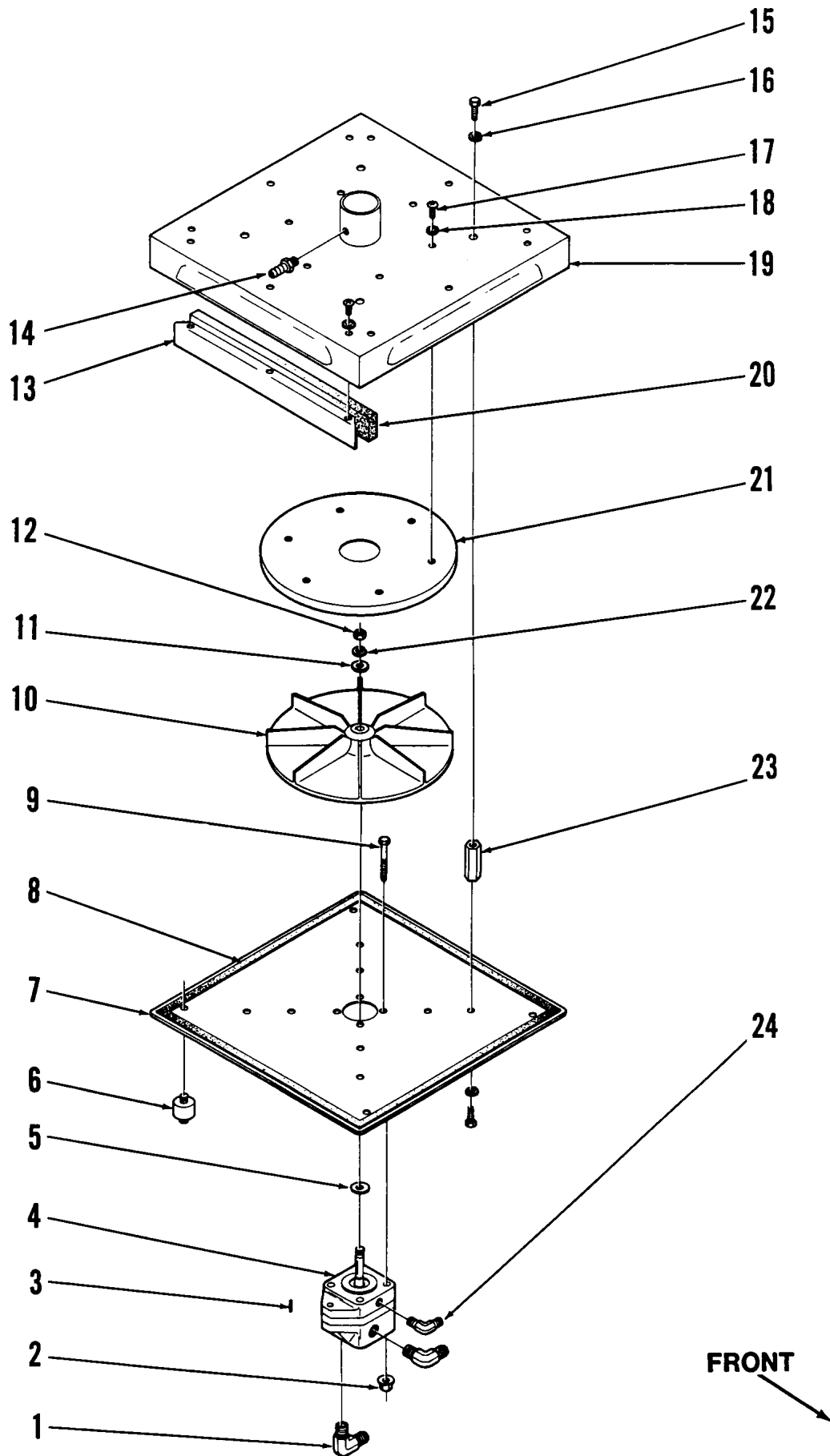
DRIVE TRAIN

Item	Part No.	Qty	Description
1		2	3/8-16 x 1 Bolt
2		2	3/8 Lock Washer
3	56458691	1	Accessory Pump
4	56488867	1	O-Ring
5	56456968	1	Propulsion Pump
6	56456937	1	Key
7		2	5/16-18 x 1/2 Bolt
8		2	5/16 Lock Washer
9	56457119	1	Arm
10	56448057	1	Nut
11	56372773	1	Bearing
12		1	5/16 Washer
13		1	1/4-20 x 1 Screw
14		1	1/4-20 x 3/8 Screw
15		2	5/16-18 x 1-1/2 Bolt
16		2	5/16 Nut
17		2	3/8-24 x 1-1/2 Bolt
18		2	3/8-24 Nut
19	56455732	2	Arm
20	56365068	1	Spring
21	56321427	1	Retaining Ring
22	56324505	4	Bearing
23		4	1/4-20 x 3/4 Screw
24		4	1/4 Lock Washer
25	56455764	1	Pivot Bracket
26	56455682	1	Plate
27	56455740	1	Coupler
28	56455668	1	Engine
29	56455774	8	Metric Bolt
30		10	3/8-16 x 1-1/4 Bolt
31	56478685	4	Rubber Mount
32	56455676	1	Bracket
33		4	1/2 Washer
34		4	1/2-13 x 4 Bolt
35	56487252	2	Washer
36		6	1/2 Lock Washer
37		6	1/2-13 x 1-1/4 Bolt



ENGINE ASSEMBLY

Item	Part No.	Qty	Description
1	56456414	1	Hose (to fuel tank)
2	56480679	1	Filter Kit
3	56455756	1	Bracket
4		12	1/2 Lock Washer
5		4	1/2-13 x 3/4 Bolt
6		12	1/4-20 x 1/2 Screw
7	56492130	1	Regulator
8	56756364	8	Hose Clamp
9	56492260	1	Hose (to fuel pump)
10	56455670	1	Fuel Filter Assembly
	56455792	1	Replacement Filter
11	56492259	1	Hose (to injector)
12	56441546	1	Solenoid
13	56706095	4	Rubber Washer
14	56455766	1	Bracket
15	56481658	1	Elbow
16	56478698	1	Pressure Sender
17	56455758	1	Intake Hose
18	56478461	1	Service Indicator
19	56478710	1	Air Cleaner
	56478720	1	Primary Element (outer)
	56478722	1	Secondary Element (inner)
20	56440213	2	Hose Clamp
21	56455704	1	Exhaust Pipe
22	56480650	2	Band
23		2	3/8-16 x 1 Bolt
24	56455768	1	Bracket
25	56482333	1	Radiator Hose
26	56480665	1	Radiator Hose
27	56329145	6	Hose Clamp
28	56481108	1	Tube
29	56481132	1	Hose
30	56456410	1	Adapter
31	56111309	1	Elbow
32	56748884	1	Adapter
33	56759072	1	Adapter
34	56456436	1	Barb
35	56112771	2	Hose Clamp
36	56492143	1	Hose
37	56455793	1	Oil Filter
38	56455688	1	Spacer
39	56455694	1	Motor Mount
40		8	1/2-13 x 1-1/4 Bolt
41	56488292	1	Throttle Cable
42	56488290	2	Ball Joint
43		2	#10-32 Nut
44	56492109	1	Solenoid
45	56455750	1	Throttle Bracket
46	56481888	1	Temperature Sender
47	56455744	1	Adapter



IMPELLER ASSEMBLY

Item	Part No.	Qty	Description
	56456969	1	Impeller Assembly
1	56900541	2	Elbow
2		4	5/16-18 Nut
3		1	1/8 x 3/4 Key
4	56457705	1	Motor
5		1	3/8 Washer
6	56478684	4	Rubber Mount
7	56457234	1	Plate
8	56300314	5'	Gasket (1524 mm)
9		4	5/16-18 x 3-1/4 Bolt
10	56457235	1	Impeller
11		1	5/16 Washer
12		1	5/16-24 Nut
13	56457217	4	Plate
14	56477522	1	Barb
15		8	1/4-20 x 3/4 Screw
16		8	1/4 Lock Washer
17		18	#10-24 x 3/8 Screw
18		18	#10 Shakeproof Washer
19	56457231	1	Housing
20	56457237	4	Foam
21	56457257	1	Ring
22		1	5/16 Lock Washer
23	56457339	4	Spacer
24	56456983	1	Elbow

OPTIONAL PARTS AND ACCESSORIES

Part No.	Qty	Description
56458000	1	Hydro-Trailer
56458419	1	Hydro-Trailer Installation Kit
56505232	2	Ultra-Grit Scrub Brush, Set of 2
56505233	2	Nylo-Grit Scrub Brush, Set of 2
56505231	2	Prolene Scrub Brush, Set of 2
56554640	4	Butcher Wire Cutting Tools
56505230	2	Short Trim Pad Holder, Set of 2
56453617	1	Vacuum Wand Kit
56457800	1	Over Head Guard
56043005	1	Hydro-Retriever 5000B Service Manual
56455518	1	LP Conversion Kit with Tank
56455516	1	LP Conversion Kit without Tank