



## Electronic Service Manuals

This electronic document is provided as a service to our customers. We do not create the contents of the information contained in this document. Should you have detailed questions pertaining to the information contained in this document, you may contact Michco, or the manufacturer which provided the original information in this electronic deliverable. Michco's only part in this electronic deliverable was the electronic assembly process.

You may contact Michco through the following methods:  
Phone (517) 484-9312 or (800) 331-3339 MI, OH, IN only  
2011 N. High St. -- Lansing, Michigan -- 48906  
Fax: (517) 484-9836  
Email: [CustServ@Michco.com](mailto:CustServ@Michco.com)  
Web site: [www.Michco.Com](http://www.Michco.Com)  
Parts Web site: [www.FloorMachineParts.Com](http://www.FloorMachineParts.Com)

Order Parts on Line at:  
**[www.FloorMachineParts.Com](http://www.FloorMachineParts.Com)**

Directly to Parts & Service:  
By Email: **[Shop@Michco.com](mailto:Shop@Michco.com)**  
By Fax: (517) 702-2041  
By Voice: Use numbers above.

**Serving the Cleaning Industry Since 1922**

Notice: All copyrighted material remains property of original owners, all trademarks are property of respective owners. Manuals are subject to Manufacturer's reproduction limitations. Originals or reproductions were provided by manufacturers through a request. We make no warranty as to the correctness of information provided in this document and you assume all risk.

# Hydro-Retriever™ 5000B



## **PARTS LIST**

**Advance MODELS 56453100, 5645600**

**This parts list is for machines after serial number 273207**

**All models covered in this manual are OBSOLETE**



**Nilfisk  
Advance**

*setting standards*

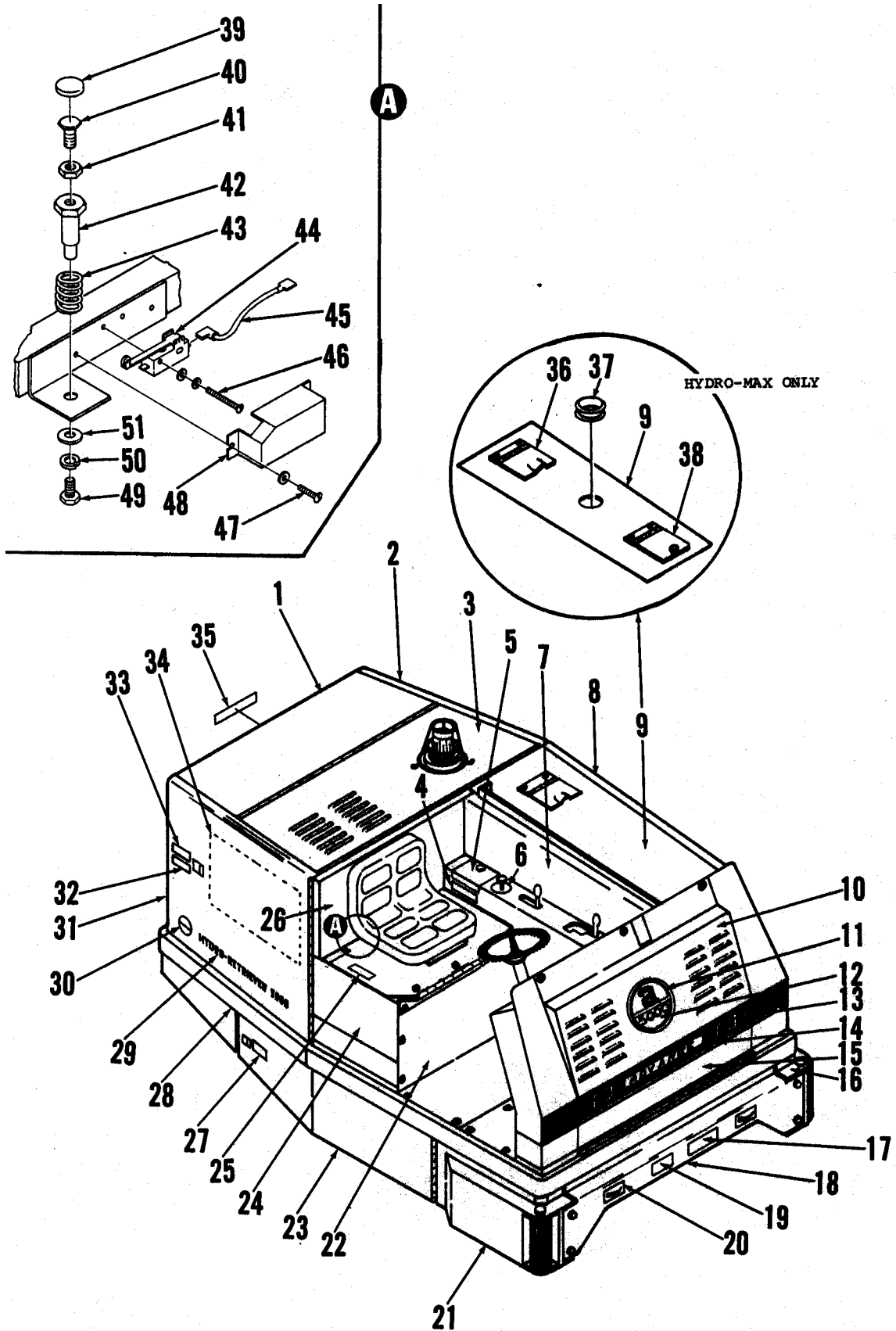
1/89 revised 2/01 FORM NO. 56042187

DESCRIPTION	PAGE
OUTER BODY-1 .....	1-2
OUTER BODY-2 .....	3-4
WHEEL DRIVE .....	5-6
WHEEL, REAR & STEERING .....	7-8
BROOM DRIVE .....	9-10
BRUSH DRIVE .....	11-12
SKIRTS, FRONT & SIDE .....	13-14
SQUEEGEE .....	15-16
WIRING DIAGRAM .....	17-18
ELECTRICAL PANEL, LEFT .....	19
ELECTRICAL PANEL, RIGHT .....	20
WIRING DIAGRAM, RIGHT PANEL & HYDRO-MAX .....	21-22
SOLUTION SYSTEM, STANDARD .....	23-24
SOLUTION SYSTEM, HYDRO-MAX .....	25-26
VACUUM SYSTEM, STANDARD .....	27-28
VACUUM SYSTEM, HYDRO-MAX .....	29-30
DRIVE PEDAL .....	31-32
MOTOR, VACUUM .....	33
OPTIONAL PARTS & ACCESSORIES .....	34

#### WHEN ORDERING PARTS

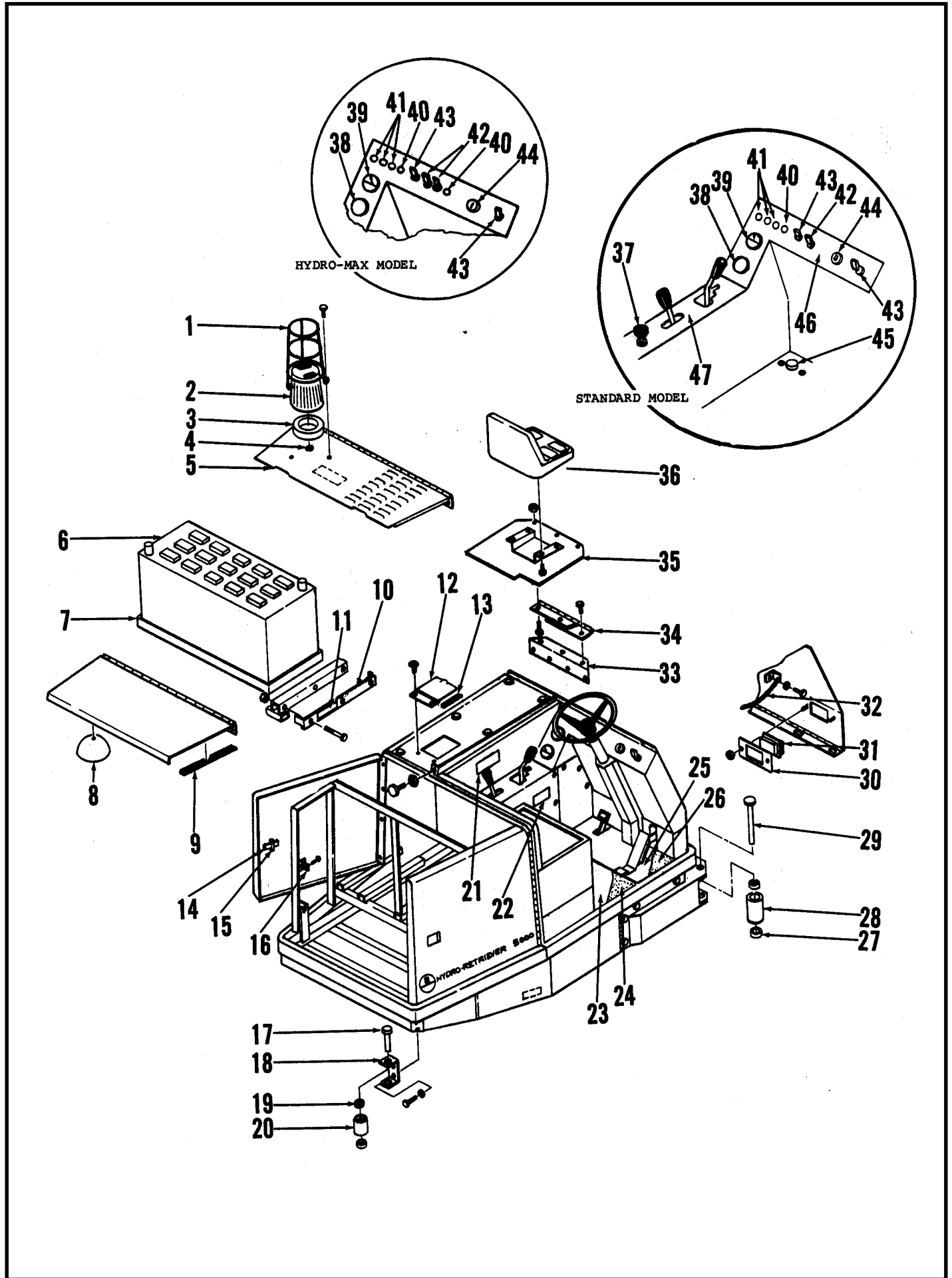
- \* Use the 8 digit numbers from the "Part No." columns in this parts list.
- \* Specify the model and serial number of the machine.
- \* Use the space below to record the model and serial number for future reference.

Model \_\_\_\_\_ Serial No. \_\_\_\_\_



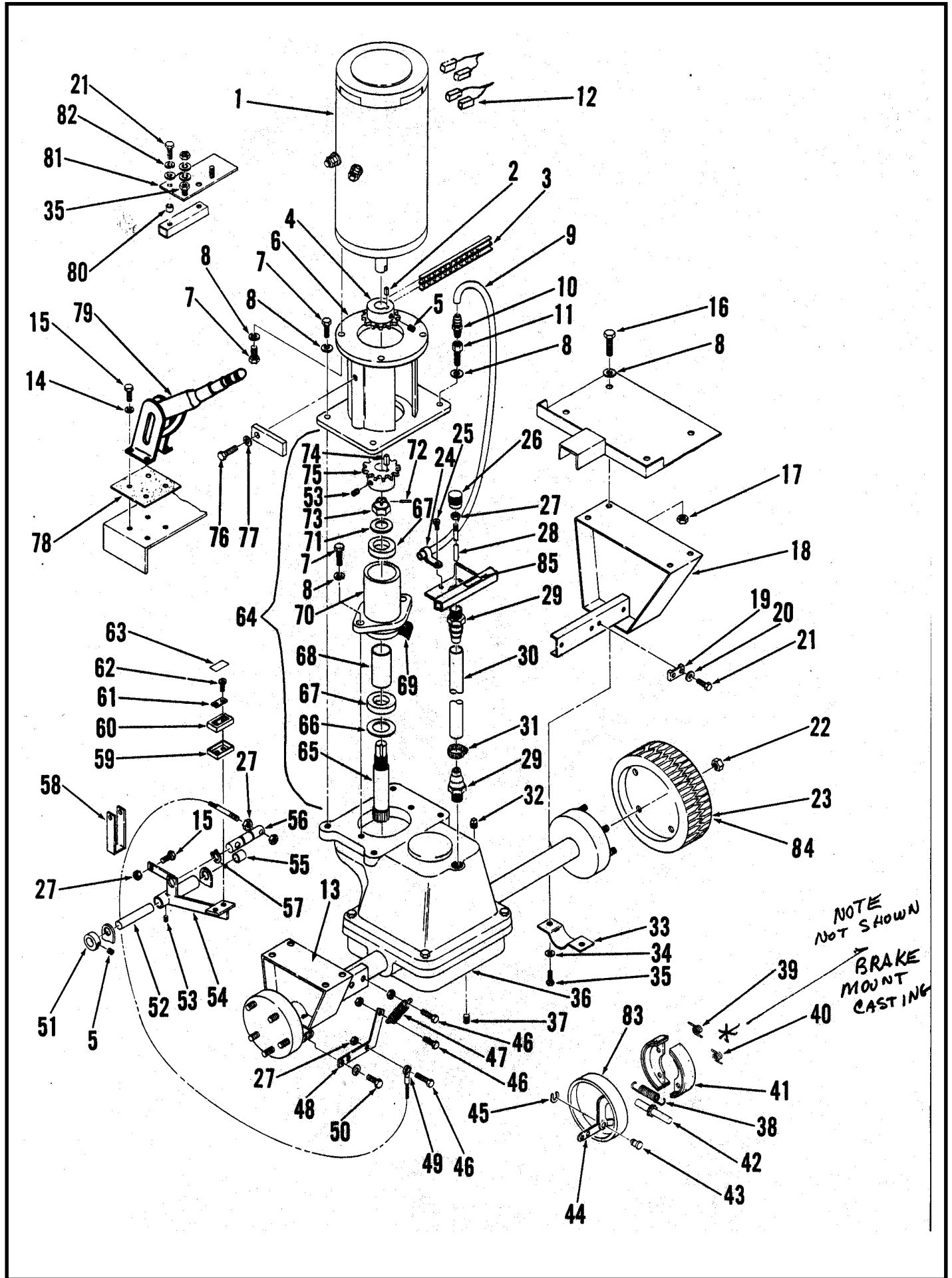
# OUTER BODY - 1

Item	Part No.	Qty	Description	Item	Part No.	Qty	Description
1	56453170	1	Cover	39	56401788	1	Cap
	56456029	1	Cover (Hydro-Max)	40	56401783	1	Leveler
2	56458182	1	Panel Assembly, Left	41		1	Nut 5/16-18
3	56453166	1	Panel	42	56491204	1	Pin
4	56025363	1	Decal, Caution	43	56491206	1	Spring, Comp.
5	56453134	1	Access Panel	44	56457364	1	Switch
6	56025412	1	Decal, Emergency Disconnect	45	56457354	2	Wire Assembly
7	56453208	1	Panel	46		2	Screw #6-32
8	56453140	1	Panel	47		2	Screw #8-32
9	56453148	1	Panel	48	56457374	1	Cover
	56456105	1	Panel (Hydro-Max)	49		1	Screw Hex Head 5/16-18 x 5/8
10	56453133	1	Panel Assembly, Front	50		1	Lock Washer 5/16
11	56024958	1	Decal, Advance	51	56180200	1	Washer
12	56025333	1	Decal, 5000B Insert				
13	56454528	2	Head Lamp				
14	56025312	1	Decal, Grill				
15	56025534	1	Decal, Gray Stripe				
16	56454697	1	Left Skirt				
17	56025360	1	Decal, Caution				
18	56454691	1	Plate				
19	56025366	1	Decal, Caution				
20	56025336	2	Decal, Flow Control				
21	56454695	1	Right Skirt				
22	56455024	1	Panel				
23	56453116	1	Right Panel				
	56453112	1	Left Panel				
24	56453212	1	Seat Panel				
25	56025351	1	Decal, Seat Access				
26	56453154	1	Rear Seat Panel				
27	56025378	1	Decal, Broom Right				
	56025384	1	Decal, Broom Left				
28	56453032	1	Chassis				
29	56025530	2	Decal, 5000				
30	56017019	2	Decal, Advance				
31	56453184	1	Panel Assembly, Right				
32	56025345	1	Decal, Filter				
33	56025410	1	Decal, Charging Plug				
34	56014132	1	Decal, Wiring				
35	56025339	1	Decal, Tank				
36	56458215	1	Weldment Cover (Hydro-Max only)				
37	56477512	1	Grommet (Hydro-Max only)				
38	56456129	1	Weldment Cover (Hydro-Max only)				



## OUTER BODY - 2

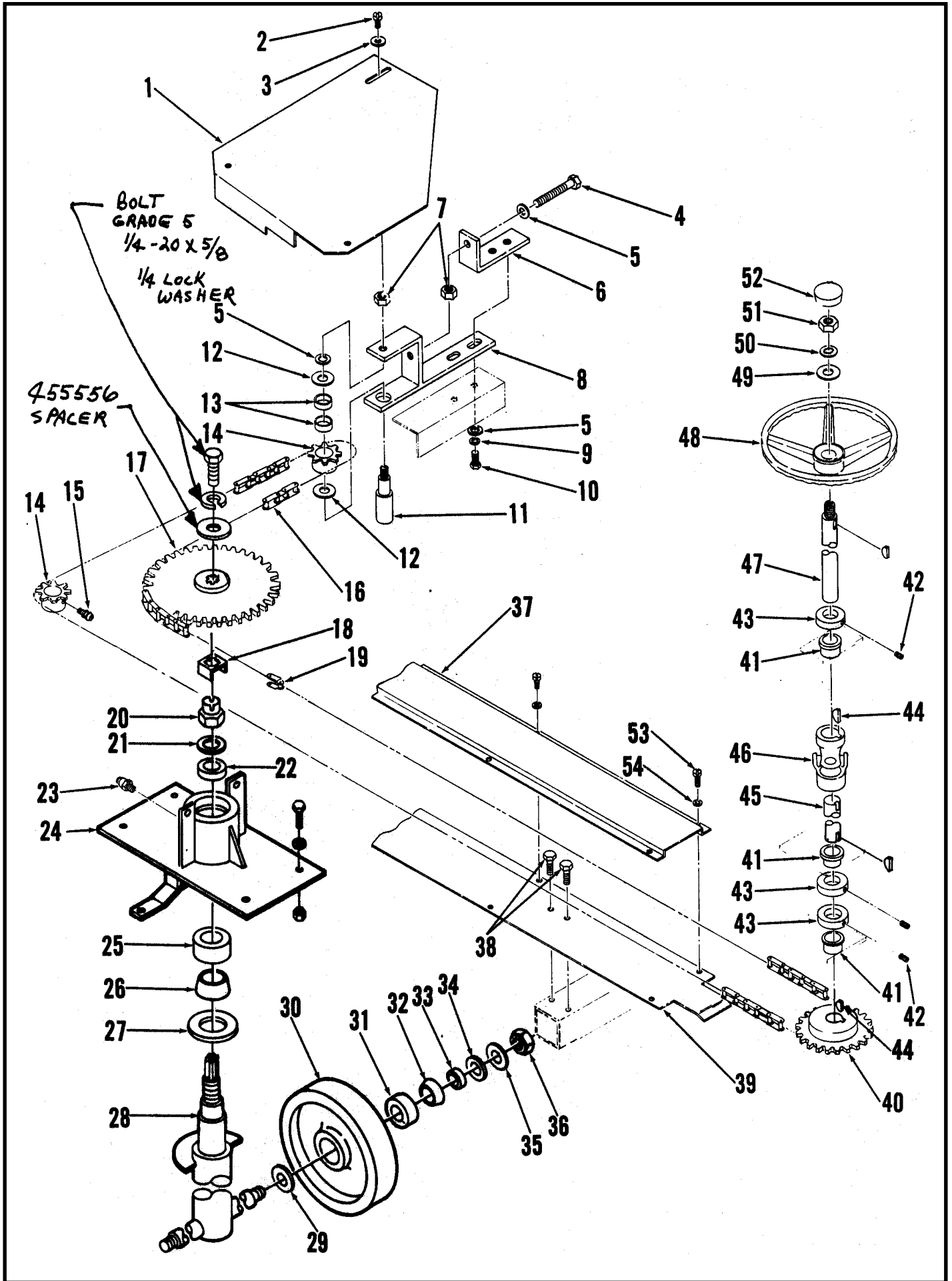
Item	Part No.	Qty	Description
1	56496061	1	Light Guard <b>TSB 603, F-11</b>
2	56489639	1	Warning Light <b>TSB 603, F-11</b>
3	56448664	1	Spacer
4	56570206	1	Grommet
5	56453166	1	Panel
6	56454400	1	Battery 36V
7	56454401	1	Battery Tray
8	56454719	1	Deflector
9	56490112	1	Gasket
10	56454937	2	Battery Bracket
11	56030080	2	Hands Clear Decal
12	56458215	1	Cover
13	56479854	1	Gasket
14	56761160	2	Paddle Latch
15	56455108	2	Clamp
16	56455105	2	Strike Latch
17	56454916	2	Pin
18	56454913	2	Bumper Bracket
19	56362352	4	Ball Bearing
20	56454904	2	Bumper
21	56025396	1	Caution Decal
22	56025393	1	Parking Brake Decal
23	56454952	1	Floor Plate
24	56454958	1	Floor Mat
25	56454943	1	Floor Plate
26	56454955	1	Floor Mat
27	56362352	4	Ball Bearing
28	56456857	2	Bumper
29	56454889	2	Pin
30	56454447	2	Head Light Bracket
31	56454528	2	Head Light
32	56454980	1	Chain
33	56457376	1	Angle
34	56457378	1	Hinge
35	56457366	1	Seat Panel
36	56448080	1	Seat
37	56454590	1	Disconnect Assembly
38	56478363	1	Hour Meter
39	56448677	1	Battery Condition Meter
40	56454525	1	Pilot Light (2 W/Hydro-Max option)
41	56454424	3	Pilot Light
42	56207071	1	Toggle Switch (2 W/Hydro-Max option)
43	56468359	2	Toggle Switch
44	56478640	1	Key Switch
	56478641	1	Replacement Key for 478640
45	56441555	1	Horn Switch
46	56025304	1	Decal, Control Panel
47	56025306	1	Decal, Control Panel



## TRANSAXLE AND BRAKE ASSEMBLY

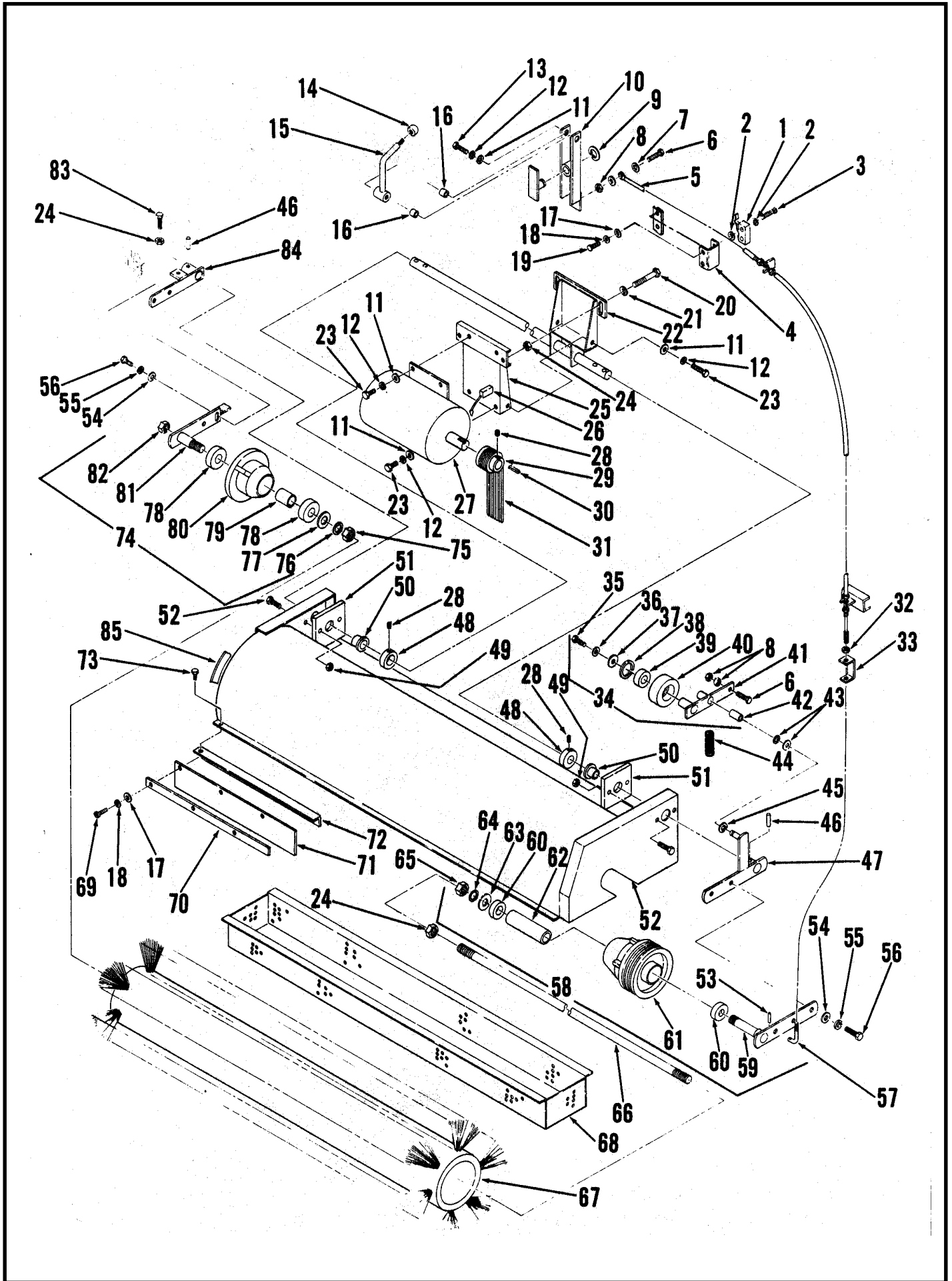
Item	Part No.	Qty	Description	Item	Part No.	Qty	Description
1	56454484	1	Motor 36V 4 HP	51	56367354	2	Collar, Shaft
2	56443719	1	Key, Square 3/16 x 1-5/16	52	56453958	1	Rod
3	56480820	1	Chain	53		2	Screw, Set 1/4-20 x 1/4
4	56453410	1	Sprocket	54	56453950	1	Lever, Brake Pedal
5		4	Screw, Set 5/16-18 x 5/16	55	56478781	2	Bearing
6	56454490	1	Adapter, Motor	56	56453966	1	Pin
7		17	Screw, Hex Head 3/8-16 x 1	57	56468834	2	Ring, Retaining
8		10	Washer, Lock 3/8	58	56453964	1	Strap
9	56492744	1	Tube	59	56365083	1	Cup, Pedal
10	56477522	1	Barb	60	56365082	1	Pad, Rubber
11	56453487	1	Screw	61	56365081	1	Plate
12	56454485	1	Brush, Motor (Set of 8)	62		2	Screw, Flat Head 1/4-20 x 3/4
13	56453435	1	Bracket, Right	63	56025122	1	Decal, Brake
14		6	Washer, Flat 1/4	64	56453420	1	Shaft Housing Assembly
15		7	Screw, Hex Head 1/4-20 x 3/4	65	56453406	1	Shaft
16		8	Screw, Hex Head 3/8-16 x 3/4	66	56378399	1	Ring, Retaining
17		8	Nut, Whiz 3/8	67	56158178	2	Bearing, Ball
18	56453430	1	Bracket, Left	68	56453423	1	Spacer
19	56477884	4	Clamp, Cable	69	56453419	1	Gasket
20		8	Washer, Shakeproof 1/4	70	56453401	1	Housing, Shaft
21		10	Screw, Hex Head 1/4-20 x 1	71		1	Washer, Flat 7/8
22	56453469	10	Nut, Lug	72		1	Pin, Cotter
23	56453405	2	Wheel Assembly 14"	73	56110817	1	Nut, Castle 7/8-1/4
24	56342319	1	Clamp, Tube	74	56740168	1	Key, Square .18 x 1
25		1	Screw	75	56453409	1	Sprocket
26	56453483	1	Knob	76		2	Screw, Hex Head 1/2-13 x 1
27		10	Nut, Hex 1/4-20	77	56367214	2	Washer
28	56453478	1	Rod	78	56454956	1	Mat, Floor
29	56453485	2	Barb	79	56448200	1	Lever Assembly Brake
30	56453475	1	Tube	80	56367206	2	Bushing
31	56112771	1	Clamp, Hose	81	56454444	1	Block, Terminal
32	56106046	1	Plug, Pipe 1/8	82		2	Washer, Lock 1/4
33	56453472	2	Strap	83	56453440	2	Shield, Dust
34		4	Washer, Shakeproof 5/16	84	56453458	2	Tire, 14" (Tire only)
35		7	Screw, Hex Head 5/16-18 x 1	85	56025354	1	Decal, Oil Level
36	56453413	1	Hydrostatic Axle				
37	56113182	1	Plug, Pipe 1/2				
38	56453439	1	Spring, Extension				
39	56453437	1	Spring (Red)				
40	56453433	1	Spring (Green)				
41	56453421	4	Brake Shoe				
*	56503022	2	Brake Shoe Casting				
42	56453415	1	Adjuster Assembly				
43	56453429	1	Pin				
44	56453425	1	Lever Assembly				
45	56453427	1	Retainer				
46		6	Screw, Hex Head 1/4-20 x 7/8				
47	56448112	2	Spring, Extension				
48	56453460	1	Lever				
49	56468460	2	Cable Assembly, Brake				
50		4	Screw, Hex Head 5/16-18 x 3/4				

\* = not shown



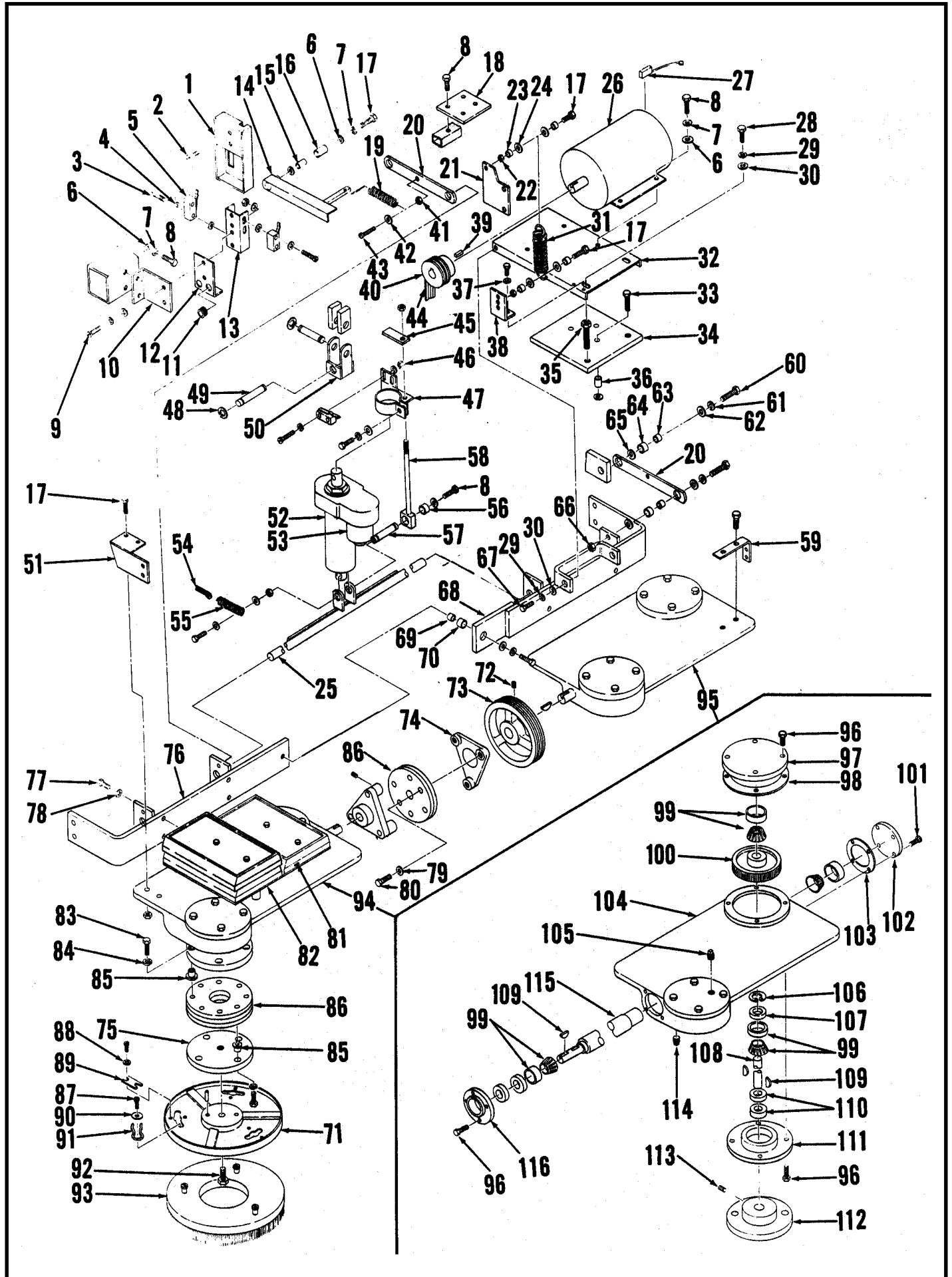
# STEERING ASSEMBLY

Item	Part No.	Qty	Description
1	56454130	1	Chain Guard
2		3	Screw, Pan Head #10-24 x 34
3		9	Shakeproof Washer #10
4		2	Screw, Hex Head 3/8-16 x 2
5		8	Washer
6	56454118	2	Adjusting. Bracket
7		4	Nut, Hex 3/8-16
8	56454121	2	Bracket
9		4	Shakeproof Washer 5/16
10		4	Screw, Hex Head 5/16-18 x 2-3/4
11	56454109	2	Pin
12		4	Flat Washer 1/2
13	56366633	4	Sleeve Bearing
14	56454078	2	Sprocket
15	56101737	2	Lube Fitting
16	56454100	1	Steering Chain
17	56453526	1	Sprocket
18	56453542	1	Tab
19	56445118	1	Offset Link
20	56110817	1	Castle Nut
21		1	Washer 7/8
22	56378380	1	Ball Bearing
23	56344362	1	Lube Fitting
24	56453530	1	Housing
25	56900074	1	Bearing Cup
26	56101370	1	Bearing Cone
27	56103845	1	Shaft Seal
28	56453536	1	Spindle
29	56101281	2	Washer
30	56453521	2	Wheel
31	56900073	4	Bearing Cup
32	56448171	4	Bearing Cone
33	56448167	4	Bushing
34	56448169	2	Seal
35		2	Washer 7/8
36	56110817	2	Castle Nut
37	56454106	1	Chain Guard Panel
38		2	Screw, Hex Head 1/4-20 x 1/2
39	56454103	1	Chain Guard Panel
40	56454098	1	Sprocket
41	56250414	3	Flanged Bearing
42		3	Screw, Set 5/16-18 x 5/16
43	56367095	3	Shaft Collar
44	56124028	2	Woodruff Key
45	56454096	1	Shaft
46	56454081	1	U-Joint
47	56454093	1	Steering Shaft
48	56477773	1	Steering Wheel W/Key <b>TSB 649, F6</b>
49	56385358	1	Washer
50		1	Shakeproof Washer 3/8
51		1	Nut Hex 1/2-20
52	56449774	1	Cap
53		6	Screw Pan Head #10-24 x 1/2
54		9	Shakeproof Washer #10



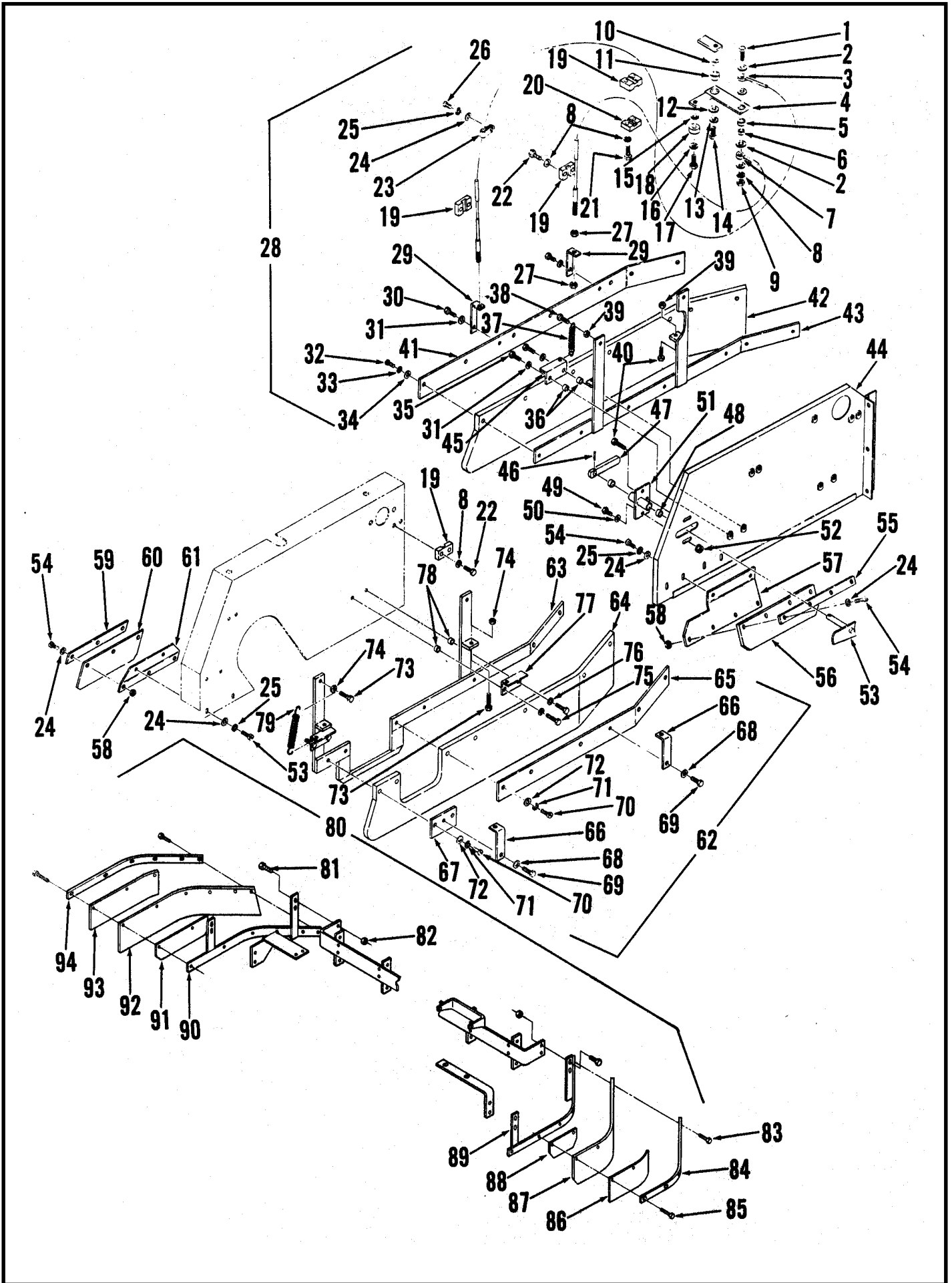
## BROOM HOUSING ASSEMBLY

Item	Part No.	Qty	Description	Item	Part No.	Qty	Description
1	56171225	1	Switch	52	56453700	1	Broom Housing Weldment
2		4	Washer, Shakeproof #6	53		3	Pin, Cotter 1/16 x 3/4
3		2	Screw, Pan Head #6	54	56152781	3	Washer
4	56454154	1	Bracket, Switch	55		2	Washer, Lock 5/16
5	56454150	1	Cable Assembly <b>TSB 499 - G1</b>	56		2	Screw, Hex Head 5/16-18 x 1/2
6		2	Screw, Hex Head 1/4-20 x 1	57	56350079	1	Rod, Linkage
7		2	Washer, Flat 1/4	58	56453765	1	Arm Assembly, Broom
8		3	Nut, Hex 1/4-20	59	56453759	1	Arm
9	56478775	1	Ring, Retaining	60	56479430	2	Bearing, Ball
10	56454142	1	Bar	61	56453767	1	Drive Hub
11		13	Washer, Flat 5/16	62	56453763	1	Spacer
12		10	Washer, Shakeproof 5/16	63		1	Washer, Flat 3/4
13		2	Screw, Hex Head 5/16-18 x 3/4	64		1	Washer, Ext. Star 3/4
14	56364527	1	Knob	65		1	Nut, Hex 3/4-10 UNC
15	56454133	1	Handle	66	56453770	1	Rod
16	56320595	1	Bushing	67	56505617	1	Broom
17		10	Washer, Flat #10	68	56453575	1	Hopper
18		10	Washer, Shakeproof #10	69	56209485	8	Screw, Pan Hd SS #10-24 x 1/2
19		2	Screw, Pan Head #10-24 x 1/2	70	56453718	1	Strap
20		2	Screw, Hex Head 3/8-16 x 2-1/2	71	56453619	1	Skirt, Front
21		3	Washer, Flat 3/8	72	56453723	1	Angle
22	56453780	1	Mount	73		2	Screw, Hex Head 1/4-20 x 3/8
23		6	Screw, Hex Head 5/16-18 x 1	74	56453760	1	Arm Assembly, Broom
24		3	Nut, Hex 3/8-16	75		1	Nut, Hex 3/4-10
25	56453779	1	Mount, Motor	76		1	Washer, Ext. Star 3/4
26	56468382	1	Carbon Brush, Set (for 454457)	77		1	Washer, Flat 3/4
	56454492	1	Brush Spring Set (for 454457)	78	56479430	1	Bearing, Ball
27	56454457	1	Motor, 36V 1 HP	79	56470728	1	Bushing
28		4	Screw, Set 5/16-18 x 5/16	80	56470636	1	Lug, Idler
29	56453772	1	Sheave	81	56453750	1	Arm, Idler
30	56367958	1	Key, Square	82	56453771	1	Lock Nut, SS 3/8-16
31	56453615	1	Belt, Poly-V	83		1	Screw, Hex Head 3/8-16 x 1
32		1	Nut, Hex #10	84	56453742	1	Lever, Arm
33	56454152	1	Turnbuckle <b>TSB 499 - G1</b>	85	56472091	1	Gasket
34	56453772	1	Idler Assembly				
35		1	Screw, Hex Head 1/4-20 x 1/2				
36		1	Washer, Lock 1/4				
37	56152781	1	Washer, .34 x .93 x .12				
38	56456326	1	Ring, Retaining				
39	56372773	1	Bearing Ball				
40	56171216	1	Pulley, Flat				
41	56453721	1	Lever				
42	56200972	1	Bearing Sleeve				
43		A/R	Washer, Flat 3/8				
44	56448112	1	Spring, Extension				
45	56321427	1	Ring, Retaining				
46		5	Pin, Spring				
47	56453730	1	Lever				
48	56444820	2	Collar				
49		4	Nut, Hex 5/16-18				
50	56444944	2	Bearing, Flange				
51	56479273	2	Pillow Block				



# BRUSH DRIVE ASSEMBLY

Item	Part No.	Qty	Description	Item	Part No.	Qty	Description
1	56454060	1	Shield, Switch	61		17	Shakeproof Washer 1/2
2		2	Screw, Pan Head #10-24 x 1/2	62		17	Flat Washer 1/2
3		6	Screw, Pan Head #6-32 x 1	63	56367206	16	Bushing
4		12	Shakeproof Washer #6	64	56367168	16	Bearing
5	56388019	3	Switch	65	56367214	16	Washer
6		9	Flat Washer 1/4	66	56441236	16	Lock Nut
7		11	Shakeproof Washer 1/4	67		2	Screw, Hex Head 5/16-18 x 3/4
8		16	Screw, Hex Head 1/4-20 x 1/2	68	56458866	1	Left Gear Case Bracket
9		2	Screw, Pan Head 1/4-20 x 3/4	69	56360627	1	Bushing
10	56454195	1	Plate	70	56370878	1	Bearing
11	56157346	2	Grommet	71	56363189	4	Casting Holder
12	56454199	1	Plate	72		14	Screw, Set 5/16-18 x 5/16
13	56454197	1	Mount, Switch	73	56453891	1	Sheave
14	56454187	1	Bar	74	56453894	2	Universal
15	56471220	1	Bushing	75	56448263	4	Lower Coupler
16	56200972	1	Bearing	76	56458868	1	Right Gear Case Bracket
17		5	Screw, Hex Head 1/4-20 x 1-1/2	77		8	Screw, Hex Head 3/8-16 x 1
18	56454441	1	Terminal Block	78		8	Shakeproof Washer 3/8
19	56330642	1	Extension Spring	79		12	Flat Washer 3/8
20	56453909	8	Parallel Bar	80		6	Screw, Hex Head 3/8-16 x 1-1/4
21	56453920	1	Spring Mounting Bracket	81	56453907	3	Weight
22		5	Nut, Hex 1/4-20	82	56453916	1	Weight Bracket
23	56321532	4	Bushing	83	56448271	24	Bolt, Hex 3/8 x 2
24	56454626	4	Washer	84		24	Lock Washer - High Collar
25	56453912	1	Bar	85	56448268	24	Bushing
26	56454454	1	Motor, 36V, 2.25 HP	86	56104647	14	Disc
27	56448729	1	Carbon Brush, Set	87		12	Screw, Pan Head #10-24 x 3/8
28		2	Screw, Hex Head 5/16-18 x 1/2	88		12	Shakeproof Washer #10
29		6	Shakeproof Washer 5/16	89	56366455	4	Plate
30		6	Flat Washer 5/16	90	56151114	4	Washer
31	56381993	1	Spring	91	56366463	4	Spring Retainer
32	56378666	1	Motor Mounting Bracket	92		4	Screw, Hex Head 5/8-16 x 1-1/2
33		3	Screw, Hex Head 1/4-20 x 1-1/4	93	56550690		Brush (2 Sets)
34	56453903	1	Plate	94	56453850	1	Right Gear Case Assy <b>TSB 611, F-8</b>
35	56378631	2	Stud	95	56453855	1	Left Gear Case Assy <b>TSB 611, F-8</b>
36	56366862	3	Bushing	96	56366285	20	Screw 1/4-20 x 3/4
37		2	Lock Washer 1/4	97	56366161	1	Top Cap
38	56453922	1	Spring Bracket	98	56366684	A/R	Shim .002 Red
39	56443719	1	Key		56366692	A/R	Shim .005 Blue
40	56453888	1	Sheave		56366706	A/R	Shim .015
41		2	Nut, Hex #10-24	99	56366323	6	Bearing Assembly
42		2	Flat Washer #10	100	56366226	2	Worm Gear
43		2	Screw, Pan Head #10-24 x 3/4	101		4	Screw, Flat Head Soc 1/4-20 x 1/2
44	56378852	1	Poly-V Belt	102	56550920	1	Gear Case Cap
45	56453996	1	Bar	103	56366714	A/R	Shim .002 Red
46		6	Nut, Hex #6-32		56366722	A/R	Shim .005 Blue
47	56453985	1	Actuator Bracket		56366730	A/R	Shim .015 Pink
48	56468834	6	Retaining Ring	104	56550906	1	Gear Case
49	56468684	2	Pin	105	56366269	1	Vent Plug
50	56454178	1	Yoke	106	56366358	4	Retaining Ring
51	56458860	1	Plate	107	56366315	4	Spacer
52	56453980	1	Actuator	108	56366307	2	Worm Gear Shaft <b>TSB 611, F-8</b>
53	56453970	1	Replacement Motor W/Pinion Gear	109	56366366	4	Woodruff Key
54		1	Cotter Pin 3/16 x 1-1/2	110	56366331	6	Grease Seal
55	56370355	1	Extension Spring	111	56366218	2	Bottom Cap
56	56368989	1	Bushing	112	56453861	2	Coupler
57	56453998	1	Pin	113		2	Screw, Socket Set 3/8-16 x 1/2
58	56453990	1	Rod	114	56366277	2	Pipe Plug 1/4 BLK
59	56458854	1	Strap	115	56453858	1	Double Worm Shaft
60		17	Screw, Hex Head 1/2-13 x 1-1/2	116	56366129	1	Gear Case Cap



## FRONT AND SIDE SKIRTS

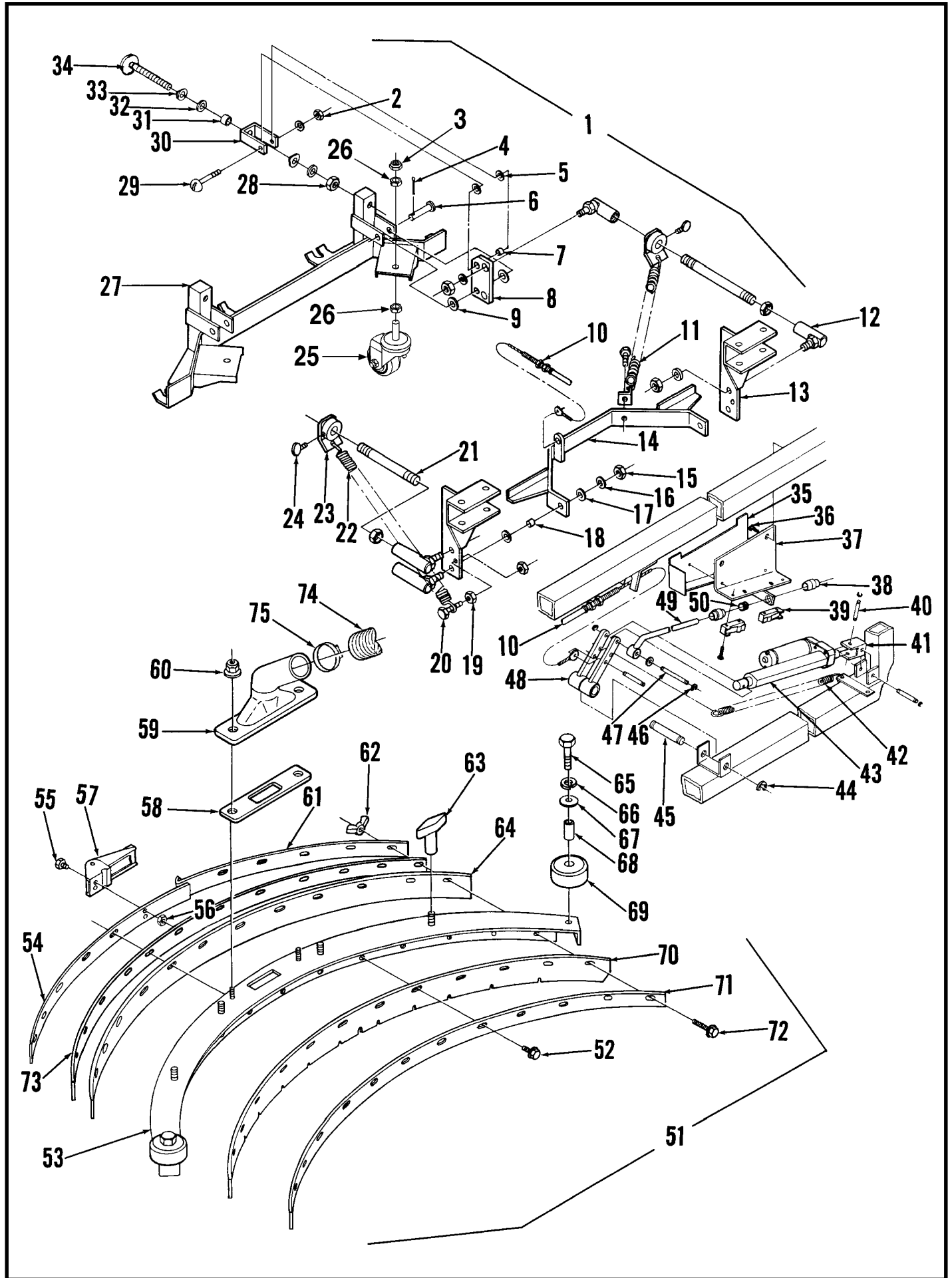
Item	Part No.	Qty	Description	Item	Part No.	Qty	Description
1		2	Screw, Hex Head 1/4-20 x 1-1/2	56	56453865	1	Blade
2		10	Washer, Flat 1/4	57	56453854	1	Plate
3	56453845	2	Cable Assembly	58		7	Whiz Nut #10-24
4	56453703	2	Lever	59	56453859	1	Strap
5	56368970	2	Bearing	60	56453868	1	Blade
6	56453849	2	Bushing	61	56453852	1	Plate
7	56468460	2	Cable Assembly	62	56453805	1	Blade Assembly Left
8		14	Washer, Int. Star 1/4	63	56458888	1	Strap
9		2	Nut, Jam 1/4-20	64	56458896	1	Blade **
10	56365030	2	Bushing	65	56458900	1	Strap
11	56478781	2	Sleeve Bearing	66	56453831	2	Linkage
12	56367214	2	Washer	67	56458898	1	Strap
13		2	Washer, Lock 1/2	68		2	Washer, Lock 1/4
14		2	Screw, Hex Head 1/2-13 x 3/4	69		2	Screw, Hex Head 1/4-20 x 1/4
15		4	Washer, Flat 5/16	70	56209487	8	Screw, Pan Head SS #10-24 x 7/8
16		2	Washer, Lock 5/16	71		8	Washer, Int. Star #10
17		2	Screw, Hex Head 5/16-18 x 3/4	72		8	Washer, Flat #10
18	56228051	2	Ball Bearing <b>TSB 630, F-7</b>	73		4	Screw, Hex Head 1/4-20 x 1
19	56453843	2	Cable Clamp	74		4	Nut, Jam 1/4-20
20	56477884	4	Cable Clamp	75		4	Screw, Hex Head 1/4-20 x 5/8
21		4	Screw, Hex Head 1/4-20 x 1 3/4	76		4	Washer, Lock 1/4
22		8	Screw, Hex Head 1/4-20 x 7/8	77	56453687	2	Strap
23	56300152	2	Clamp	78	56453691	4	Spacer
24		18	Washer, Flat #10	79	56370746	1	Extension Spring
25		11	Washer, Int. Star #10	80	56458880	1	Skirt Assembly Left
26		2	Screw, Pan Head #10-24 x 3/8		56458878	1	Skirt Assembly Right
27		8	Nut, Hex 5/16-18	81			Screw
28	56453675	1	Door Assembly - Right	82			Nut
29	56453831	2	Linkage	83		3	Screw Hex Head 1/4-20 x 1 HP-5
30		2	Screw, Hex Head 1/4-20 x 3/8	84	56458874	1	Strap
31		6	Washer, Lock 1/4	85		3	Screw Hex Head 1/4-20 x 1.25
32		7	Screw, Pan Head SS #10-24 x 7/8	86	56458930	1	Back Up Blade *
33				87	56458928	1	Blade *
34				88	56458934	1	Plate
35		4	Screw, Hex Head 1/4-20 x 3/4	89	56458852	1	Mount Weldment Left
36	56453691	4	Spacer	90	56458850	1	Mount Weldment Right
37	56370746	2	Extension Spring	91	56458936	1	Plate
38		2	Screw, Hex Head 1/4-20 x 1	92	56458840	1	Blade *
39		4	Nut, Hex 1/4	93	56458932	1	Back Up Blade *
40		3	Screw, Hex Head 1/4-20 x 1	94	56458844	1	Strap
41	56458904	1	Strap				
42	56458908	1	Blade **				
43	56458906	1	Strap Weldment				
44	56453676	1	Door				
45	56453687	2	Strap				
46		1	Pin, Spring 1/8 x 3/4				
47	56479371	1	Handle				
48	56491658	2	Sleeve Bearing 3/8				
49		2	Screw, Hex Head 1/4-20 x 1/2				
50		2	Washer, Flat 1/4				
51	56453680	1	Bracket				
52		2	Whiz Nut 1/4				
53	56453690	1	Latch				
54	56209485	14	Screw, SS #10-24 x 1/2				
55	56453862	1	Strap				

\* Front Skirt Kits include items 86, 87, 92 & 93

Standard (Gum Rubber) Skirt Kit - P.N. 56458918  
Oil Resistant (Urethane) Skirt Kit - P.N. 56458920

\*\* Side Skirt Kits include items 42 & 64

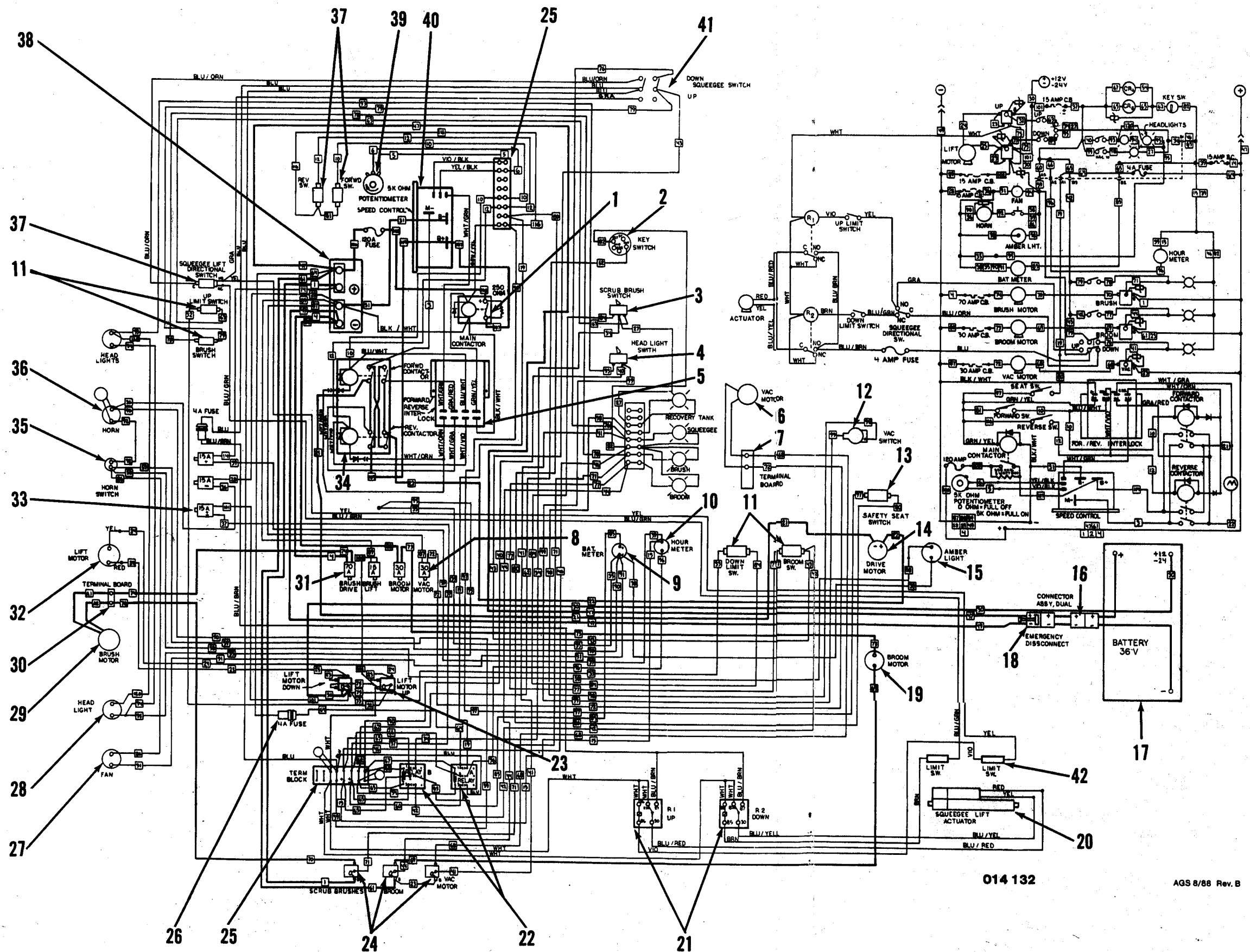
Standard (Gum Rubber) Skirt Kit - P.N. 56458922  
Oil Resistant (Urethane) Skirt Kit - P.N. 56458924



## SQUEEGEE TOOL AND LIFTER ASSEMBLY

Item	Part No.	Qty	Description	Item	Part No.	Qty	Description
1	56458884	1	Mount Assembly	50	56329098	1	Nylon Bearing
2		2	Hex Nut	51	56458816	1	Squeegee Assembly
3	56002843	2	Nut, Hex Nyl Loc-Thin 1/2-13 (See Note #1)	52		11	Screw Head 1/4-20 x.50 HP-5
4		2	Cotter Pin	53	56458808	1	Tool Weldment
5		12	Washer SAE 1/4	54	56458812	1	Strap
6	56487989	2	Clevis Pin	55		2	Screw
7	56366862	2	Bushing	56		2	Keps Nut
8	56454288	2	Plate	57	56471194	1	Latch Assembly
9	56150142	4	Washer	58	56454224	1	Gasket
10	56457820	1	Cable Assembly	59	56454223	1	Adapter Assembly
11	56358560	1	Spring Ext.	60		2	Flanged Whiz Nut 1/4-20
12	56477813	8	Ball Joint	61	56458814	1	Strap
13	56454323	2	Bar Weldment	62	56201677	2	Wing Nut, Lock
14	56458818	1	Lifter Weldment	63	56370711	4	Thumb Screw
15		8	Jam Nut 1/2-20	64	56454209	1	Blade *
16		8	Washer Shakeproof	65		2	Screw Hex Head 5/16-18 x 2
17	56367214	4	Washer	66		2	Lock Washer
18	56491656	2	Sleeve Bearing	67		2	Washer
19		2	Jam Nut 1/4-20	68	56454249	2	Bushing
20		2	Screw Hex Head 1/4-20 x 1	69	56386127	2	Wheel
21	56454273	4	Rod	70	56455608	1	Blade *
22	56448112	2	Spring Ext.	71	56458810	1	Strap
23	56454276	2	Collar Weldment	72		2	Screw 1/4-20 x 1.50 HP-5
24	56754374	2	Thumb Screw	73	56454215	1	Back-Up Blade *
25	56407344	2	Caster (See Note #1)	74	56454780	1	Squeegee Hose
26	56009016	4	Nut, Hex Jam 1/2-13 (See Note #1)	75	56440213	1	Hose Clamp
27	56458836	1	Mount Weldment	* Squeegee Blade Kits include items 64, 70 & 73			
28		4	Hex Nut 1/4-20	Standard (Gum Rubber) Blade Kit - P.N. 56458914			
29		2	Machine Screw Rd Head	Oil Resistant (Urethane) Blade Kit - P.N. 56458916			
30	56454285	2	Yoke				
31	56206784	2	Bushing				
32			Washer SAE 1/4				
33	56163880	4	Spring Washer				
34		2	Machine Screw Rd Head				
35	56453284	1	Shield				
36		2	Screw				
37	56453270	1	Plate Weldment				
38	56453314	2	Collar				
39	56455112	2	Switch				
40	56457826	3	Pin				
41	56453145	1	Plate Weldment				
42	56398606	2	Spring Ext.				
43	56457822	1	Actuator				
44	56468834	2	Retaining Ring Ext 1/2				
45	56457856	1	Pin				
46	56321125	8	Retaining Ring Ext 1/4				
47	56453288	1	Pin				
48	56453125	2	Arm Weldment				
49	56453276	1	Rod Weldment				

**Note #1:** The original caster had a threaded shaft of 3/8" this caster (56407344) has a 1/2" diameter shaft. When replacing a caster you will need to order replacement 1/2" nuts (**3 & 26**), also the holes in (**27**) Mount Weldment will have to be drilled out to a diameter of 1/2" to accommodate the new casters. Replace both casters together if replacing a caster with a 3/8" shaft.



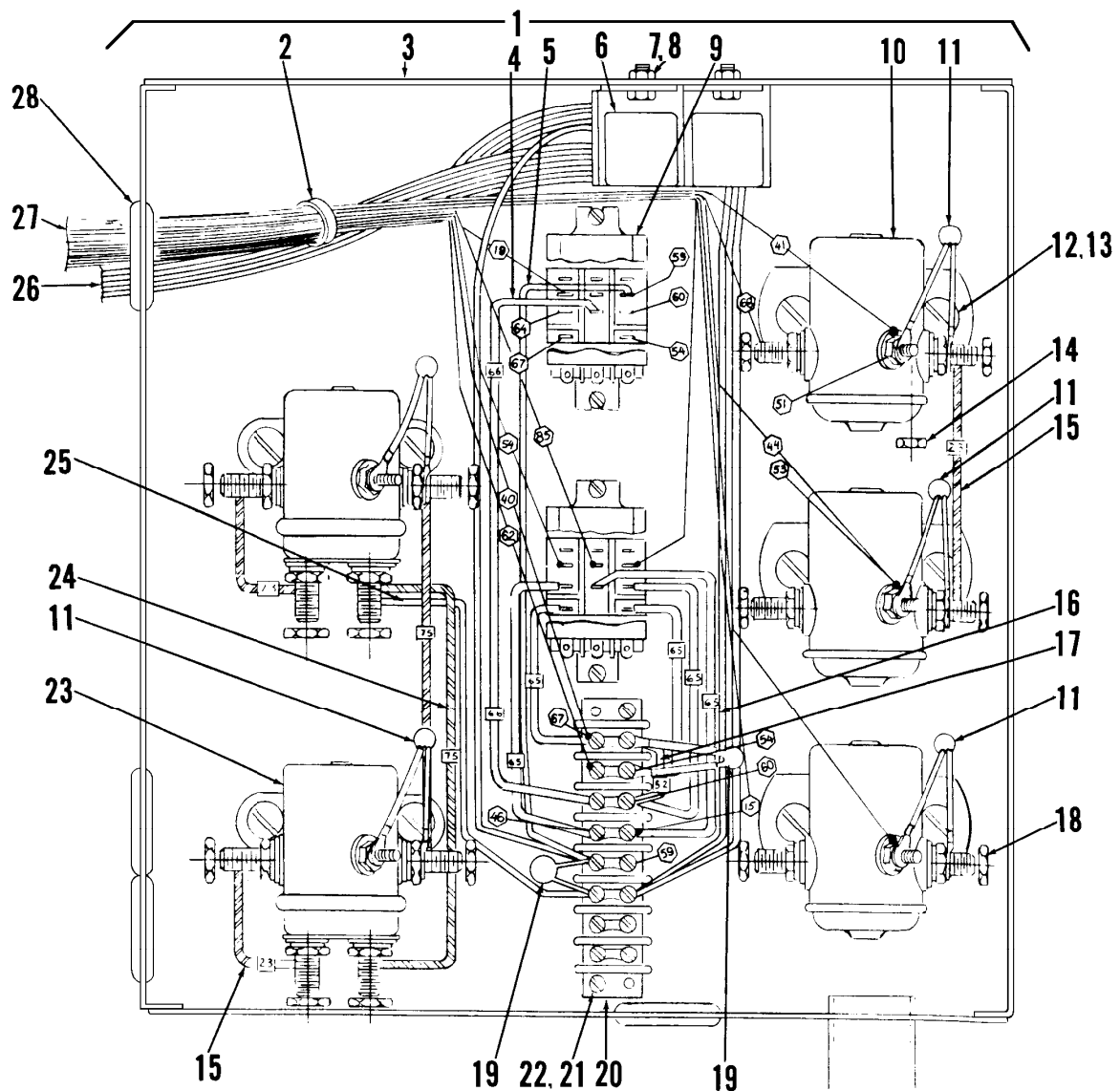
Item	Part No.	Qty	Description
1	56454806	1	Contactors
2	56478640	1	Key Switch
3	56468359	1	Brush Switch
4	56207071	1	Head Light Switch
5	56454804	1	Forward/Reverse Interlock
6	56454335	1	Vacuum Motor
7	56454444	1	Terminal Block
8	56454423	2	Circuit Breaker 30 Amp
9	56448677	1	Battery Meter
10	56478363	1	Hour Meter
11	56388019	1	Switch
12	56479114	1	Vacuum Switch
13	56457364	1	Safety Seat Switch
14	56454484	1	Drive Motor
15	56489639	1	Amber Light
16	56457809	1	Connector Assembly Dual
17	56454400	1	Battery 36V
18	56454590	1	Emergency Disconnect
19	56454457	1	Broom Motor
20	56457822	1	Squeegee Lift Actuator
21	56457910	2	Relay
22	56454432	2	Relay
23	56470750	2	Solenoid 24V
24	56371394	3	Solenoid 24V
25	56454445	3	Terminal Block
26	56454434	2	Fuse (4 Amp) Holder
27	56454531	1	Blower
28	56454528	2	Head Light
29	56454454	1	Brush Motor
30	56454441	1	Terminal Block
31	56454429	1	Circuit Breaker 70 Amp
32	56453970	1	Lift Motor
33	56454538	4	Circuit Breaker 15 Amp
34	56454716	1	Contactors
35	56441555	1	Horn Switch
36	56443719	1	Horn
37	56761452	3	Switch
38	56454726	1	Terminal Board
39	56454740	1	Potentiometer
40	56454803	1	Speed Control
41	56468359	1	Squeegee Switch
42	56455112	2	Switch

COMPLETE WIRING DIAGRAM

014 132 AGS 8/88 Rev. B

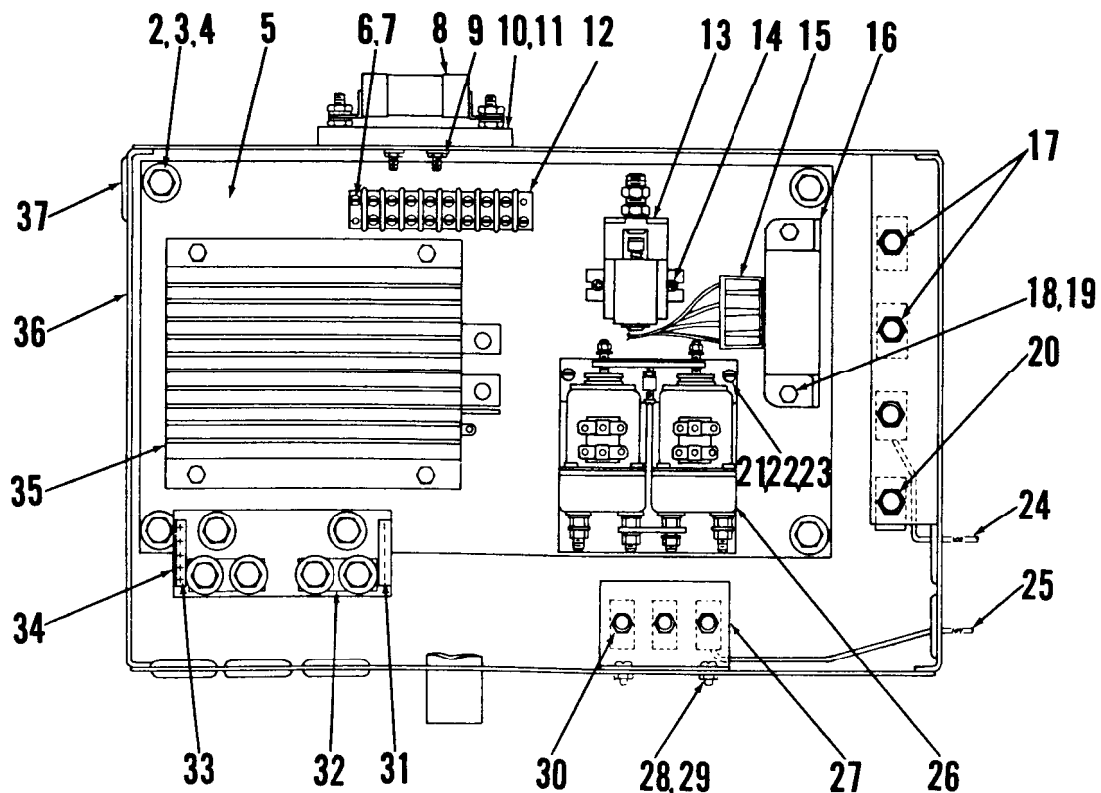
# LEFT ELECTRICAL PANEL

Item	Part No.	Qty	Description	Item	Part No.	Qty	Description
1	56454659	1	Electrical Panel Assembly	16	56454520	5	Wire Assembly
2	56478246	1	Cable Tie	17	56454518	1	Wire Assembly
3	56454420	1	Electrical Weldment Tray	18		14	Nut, Hex5/16-24 UNC with Lock Washer
4	56454549	1	Wire Rectifier Assembly	19	56454662	1	Varistor Assembly
5	56457882	1	Wire Assembly	20	56454445	1	Terminal Board
6	56457910	2	Relay	21		6	Screw, Pan Hd MS #6-32 x 3/8
7		2	Screw, Hex #10-24 x 1/2 HP-5	22		6	Lock Washer #6
8		2	Flanged Whiz Nut #10-24	23	56470750	2	Solenoid 24V
9	56454432	2	Relay 24V	24	56454516	2	Wire Assembly
10	56371394	3	Solenoid 24V	25	56457884	1	Wire Assembly
11	56454664	5	Varistor Assembly	26	56453294	1	Wire Harness
12		10	Screw, Truss MS 1/4-20 x 3/8	27	56454502	1	Harness Assembly
13		10	Shakeproof Washer 1/4	28	56477514	4	Grommet 1.25
14		7	Nut, Hex #10-32 UNF				
15	56454512	3	Wire Assembly				



## RIGHT ELECTRICAL PANEL

Item	Part No.	Qty	Description	Item	Part No.	Qty	Description
1	56454711	1	Electrical Panel Assembly	20	56454429	1	Circuit Breaker 70 Amp
2		10	Washer 5/16 Lock	21		4	Flat Washer #10
3		4	Screw, Hex Head 5/16-18 x .75	22		8	Shakeproof Washer #10
4		12	Nut 5/16-18	23		6	Screw, Pan Head #10-24 x .38
5	56454732	1	Aluminum Plate	24	56454737	1	Wire Assembly
6		2	Screw, Pan Head #8-32 x .50	25	56454581	1	Wire Assembly
7		2	Shakeproof Washer #8	26	56454716	1	Contactor, 36V
8	56454278	1	Clamp, Fuse 120 Amp		56454675	1	Contactor Repair Kit for 454716
9	56395460	1	Block, Clamp Fuse	27	56454416	1	Fuse Bracket
10		2	Screw, Flat Head #10-24 x .75	28		2	Screw, Pan Head #10-24 x .31
11		2	Nut, Whiz #10-24	29		8	Shakeproof Washer #10
12	56454445	1	Terminal Block	30	56454538	4	Circuit Breaker 15 Amp
13	56454806	1	Contactor	31	56016700	1	Decal, Negative.
14		2	Screw, Pan Head #8-32 x .38	32	56454728	2	Copper Plate
15	56454825	1	Harness Assembly	33	56016704	1	Decal, Positive.
16	56454804	1	Interlock, Forward/Reverse	34	56454726	1	Terminal Block
17	56454423	2	Circuit Breaker 30 Amp	35	56454803	1	Speed Control
18		4	Screw, Hex Head 1/4-20 x .50	36	56454714	1	Electrical Panel Weldment
19		4	Lock Washer 1/4	37	56477514	7	Grommet 1.25



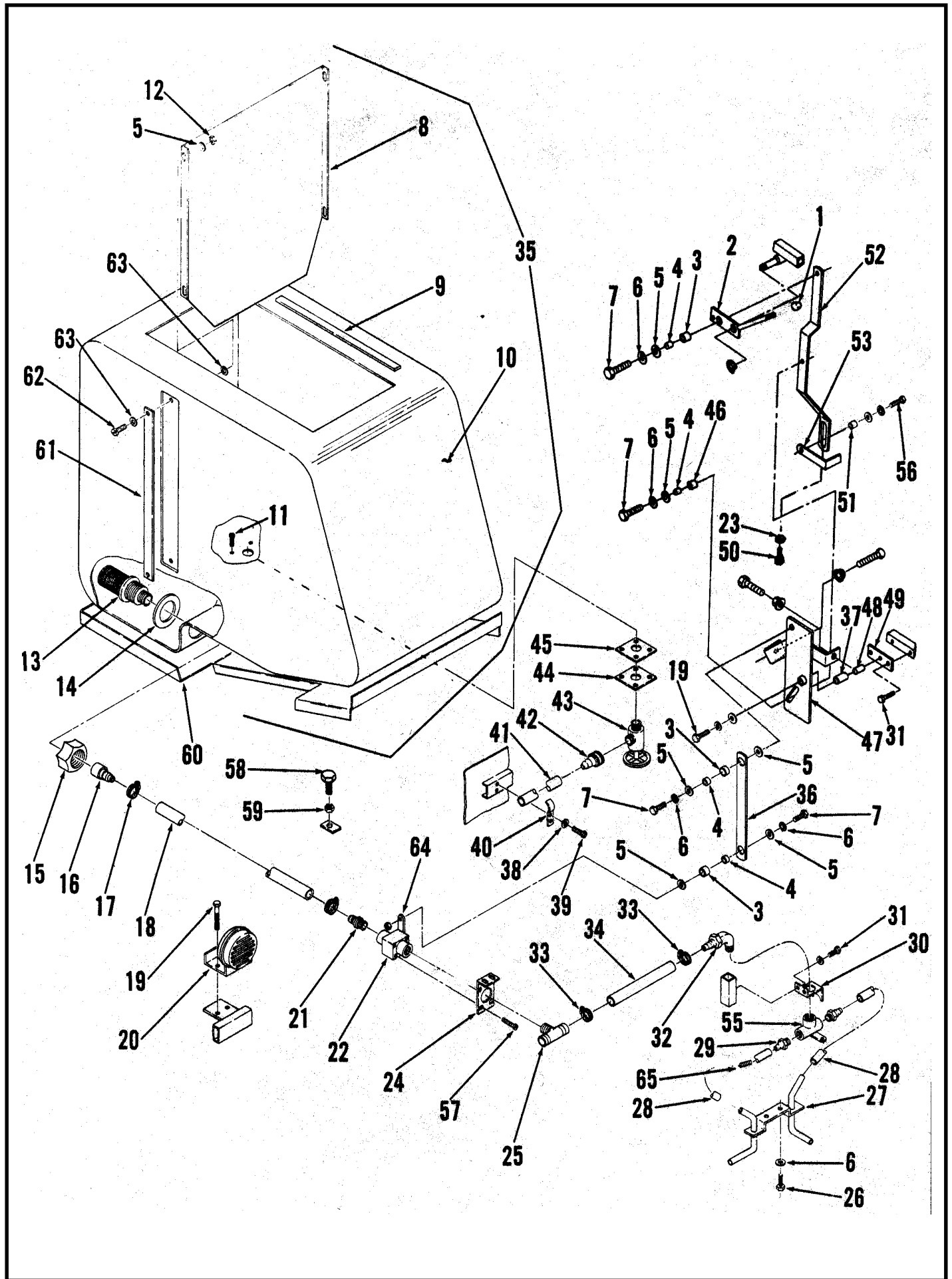


## WIRING DIAGRAM FOR RIGHT ELECTRICAL PANEL

Item	Part No.	Qty	Description
38	56454807	1	Resistor Assembly
39	56454818	1	Cable Assembly
40	56454819	1	Cable Assembly
41	56454812	3	Diode Assembly
42	56454813	2	Diode Assembly
43	56454430	1	Wire Assembly
44	56454566	1	Cable Assembly
45	56454735	1	Wire Assembly
46	56454560	1	Cable Assembly
47	56454540	1	Wire Assembly
48	56454530	1	Wire Assembly
49	56454816	1	Cable Assembly
50	56454581	1	Wire Assembly
51	56454815	1	Cable Assembly
52	56454823	1	Wire Assembly
53	56454822	1	Wire Assembly
54	56454852	1	Wire Assembly
55	56454848	1	Wire Assembly

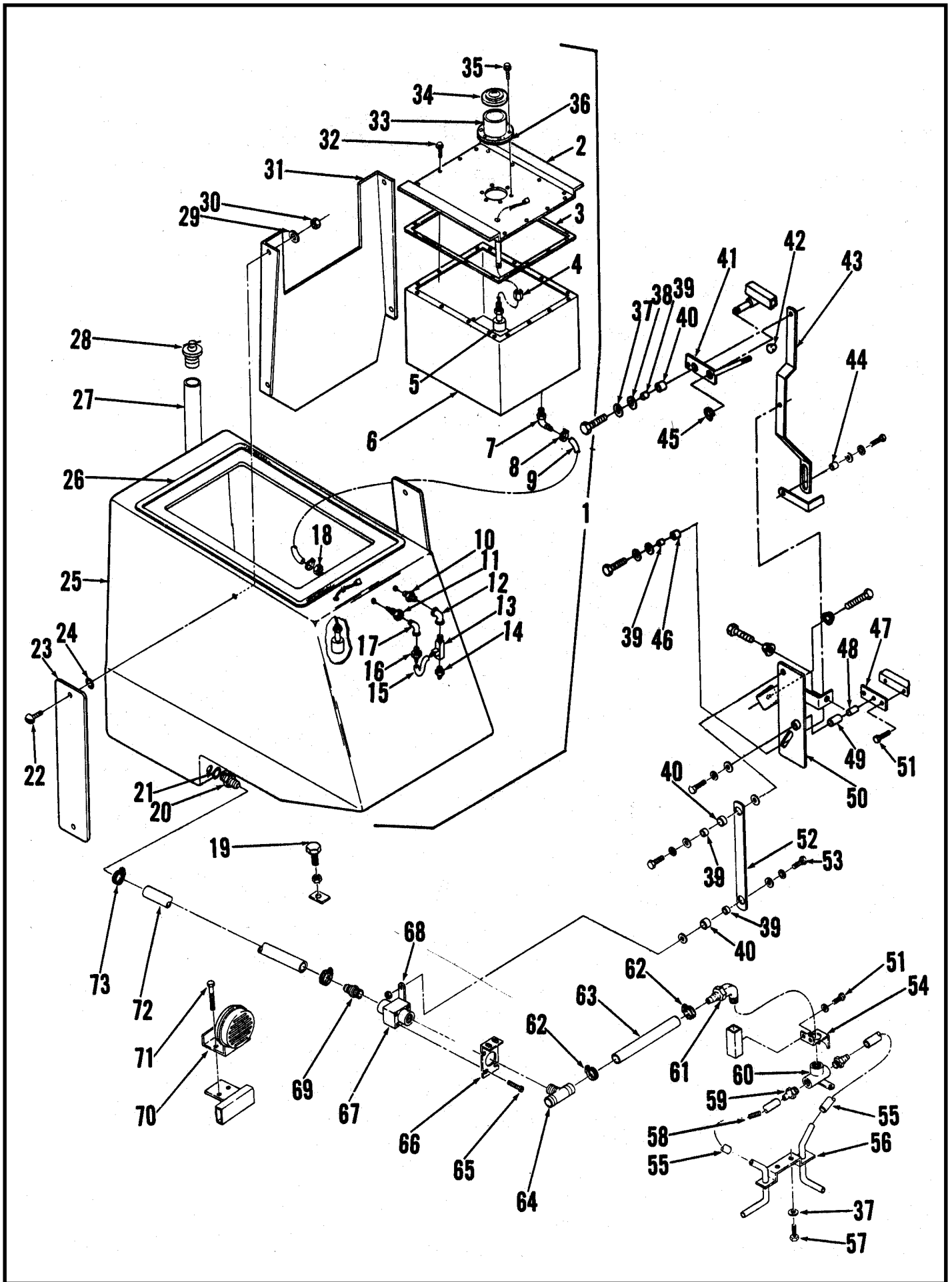
## WIRING DIAGRAM FOR HYDRO-MAX

Item	Part No.	Qty	Description
1	56456174	1	Pump Assembly
2	56388167	2	Recovery Tank Switch
3	56207071	1	Recycling Switch
4	56456176	2	Solution and Chemical Tank Switches
5	56261219	1	Relay
6	56454525	1	Low Chemical Indicator Light
7	56454726	2	Terminal Board



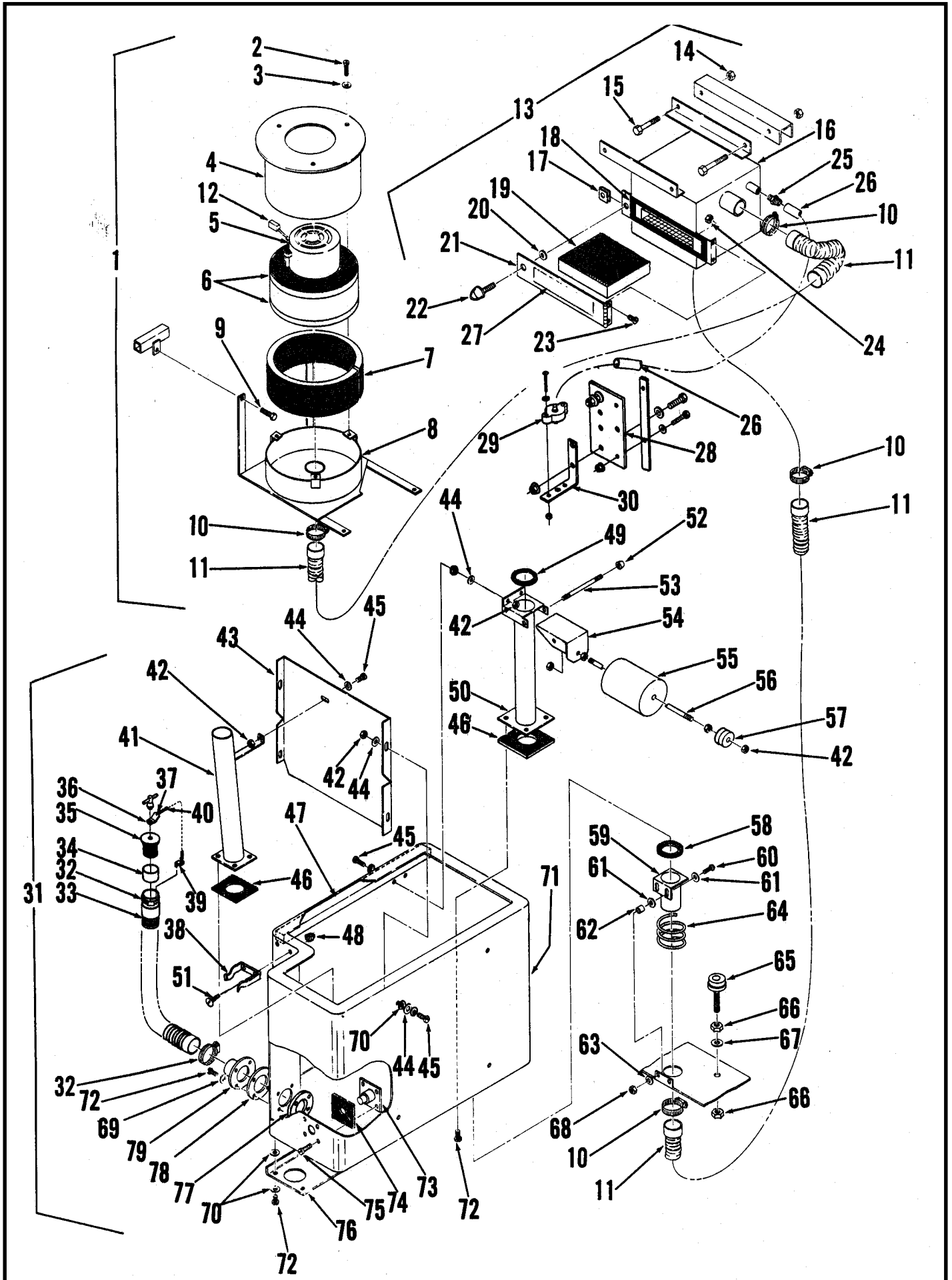
## STANDARD SOLUTION TANK AND VALVES

Item	Part No.	Qty	Description	Item	Part No.	Qty	Description
1	56364527	1	Knob	52	56454158	1	Bar
2	56454157	1	Lever	53	56454169	1	Bracket
3	56368970	3	Bearing	54	56321427	1	Retaining Ring
4	56368989	4	Bushing	55	56454612	2	Flow Control Valve
5		8	Flat Washer 1/4	56		1	Screw, Hex Head 1/4-20 x 3/4
6		12	Shakeproof Washer 1/4	57		4	Screw, Filister Hd 1/4-20 x 1-1/4
7		4	Screw, Hex Head 1/4-20 x 1	58	56454596	2	Adjusting Pad
8	56454624	1	Baffle	59		2	Nut, Jam 1/2-13
9	56454604	1	Gasket	60	56454646	1	Boot Panel
10	56454603	1	Solution Tank	61	56454628	2	Plate
11		4	Screw, Rd Hd Brass 1/4-20 x 5/8	62	56576520	4	Screw, SS 1/4 x 7/8
12		4	Nut, Hex Brass 1/4-20	63	56900737	8	Sealing Washer
13	56449868	1	Screen Assembly	64	56454280	1	Valve Handle
14	56449870	1	Fiber Washer				
15	56449872	1	Nut, Jam 1 1/2-12				
16	56454167	1	Barb				
17	56131601	2	Hose Clamp				
18	56760018	1	Tube				
19		2	Screw, Hex Head 1/4-20 x 1				
20	56442054	1	Horn				
21	56454168	1	Barb				
22	56456617	1	Valve				
23		2	Nut, Hex 1/4-20				
24	56454357	1	Bracket				
25	56454609	1	Tee				
26		4	Screw, Hex Head 1/4-20 x 5/8				
27	56453924	2	Pipe Weldment				
28	56379107	4	Tube				
29	56749202	4	Barb				
30	56453936	2	Bracket				
31		4	Screw, Hex Head 1/4-20 x 1/2				
32	56224985	2	Barb				
33	56112771	4	Hose Clamp				
34	56449850	2	Tube 14"				
35	56454600	1	Solution Tank Assembly				
36	56454159	1	Bar				
37	56200972	1	Bearing				
38		4	Shakeproof Washer #10				
39		4	Screw, Pan Head #10-24 x 1/2				
40	56454940	2	Clamp				
41	56454618	1	Tube				
42	56369160	1	Barb				
43	56369152	1	Valve				
44	56368741	1	Plate				
45	56368768	1	Gasket				
46	56368997	1	Bushing				
47	56454161	1	Plate				
48	56471220	1	Bushing				
49	56454164	1	Bar				
50		1	Screw, Rd Head 1/4-20 x 2				
51	56321532	1	Bushing				



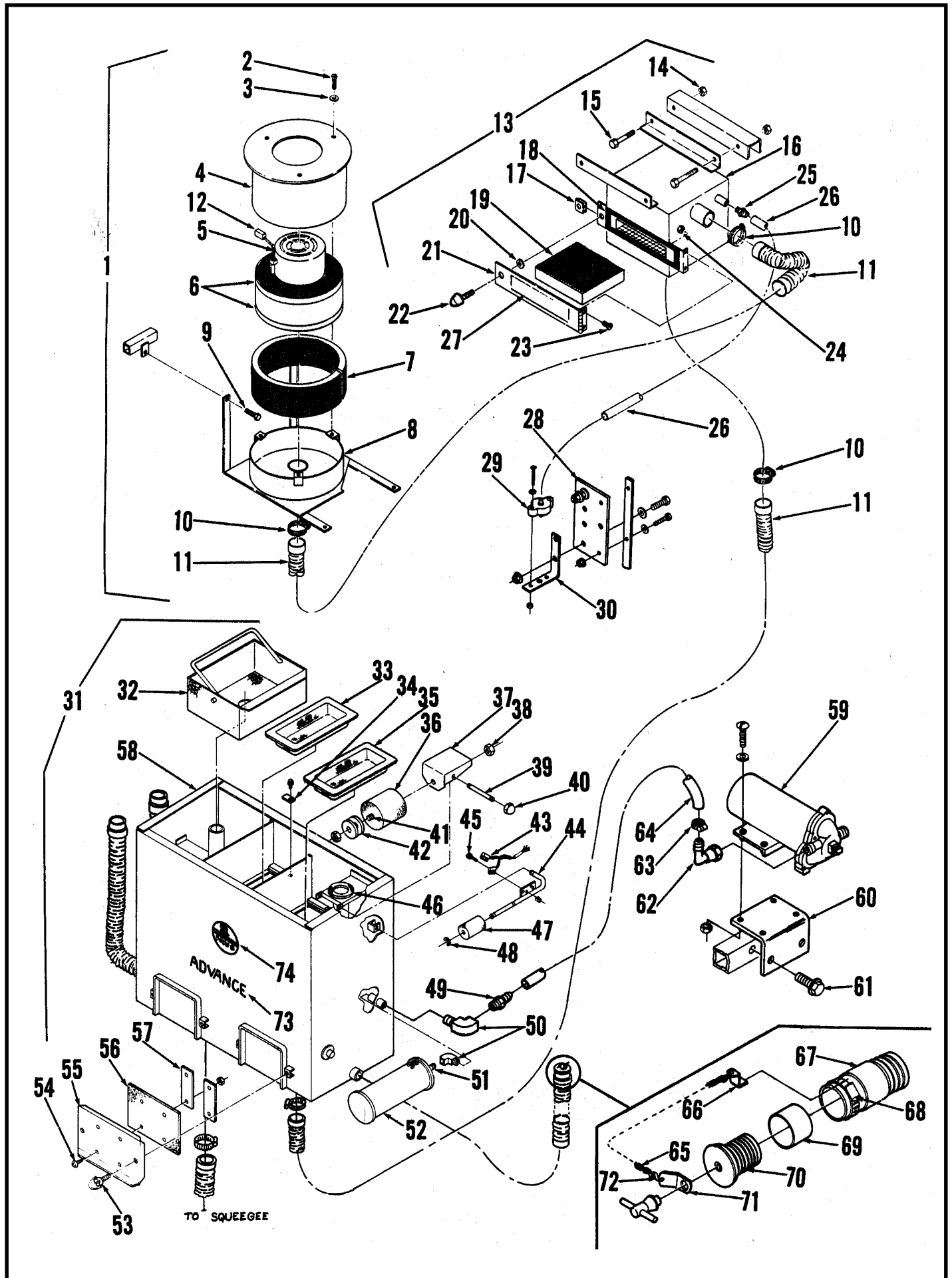
## SOLUTION TANK with HYDRO-MAX OPTION

Item	Part No.	Qty	Description	Item	Part No.	Qty	Description
1	56456156	1	Tank Assembly, Solution	52	56454159	1	Bar
2	56456126	1	Panel Weldment	53		4	Screw Hex Head 1/4-20 x 1
3	56200754	4'	Gasket 1/16 x 1/2	54	56453936	2	Bracket
4	56749649	1	Coupler 1/8 NPT	55	56379107	4	Tube
5	56456176	2	Switch Assembly	56	56453924	2	Pipe Weldment
6	56456098	1	Chemical Tank	57		4	Screw Hex Head 1/4-20 x 5/8
7	56470138	1	Barb 1/4 NPT 90	58	56373792	2	Spring
8	56756364	2	Clamp, Hose	59	56749202	4	Barb
9	56755882	1	Hose 1/4	60	56454612	2	Valve, Flow Control
10	56172072	1	Nipple 3/8 NPT x 5/8-18	61	56244985	2	Barb
11	56456107	1	Barb, Bulkhead	62	56112771	4	Clamp, Hose
12	56757310	1	Elbow 3/8 NPT	63	56449850	2	Tube
13	56260170	1	Injector, Chemical	64	56454609	1	Tee
14	56443972	1	Barb 3/8 NPT	65		4	Screw, Filister Hd 1/4-20 x 1-1/4
15	56755880	1	Hose 1/4	66	56454357	1	Bracket
16	56755162	1	Barb, Metering	67	56456617	1	Valve Assembly
17	56111309	1	Elbow 1/8 NPT 90	68	56454280	1	Handle
18	56745860	2	Nut, Jam 5/8-18 Brass	69	56454168	1	Barb
19	56401783	2	Tank Leveler	70	56442054	1	Horn
20	56456058	1	Barb 1" Hose	71		2	Screw Hex Head 1/4-20 x 1
21	56456068	1	Washer	72	56760018	1	Tube
22	56576520	4	Screw SS 1/4-20 x 7/8	73	56131601	2	Clamp, Hose
23	56454628	2	Plate				
24	56900737	4	Washer, Sealing				
25	56456108	1	Tank, Solution				
26	56454604	60'	Gasket 3/16 x 3/8 x 72"				
27	56260097	1	Hose, Drain				
28	56260098	1	Plug				
29	56454626	4	Washer .26 x 1.00 x .074				
30		4	Nut, Brass 1/4-20				
31	56456092	1	Baffle				
32		16	Screw Hex Washer Head #10-32 x 3/8 HP-5				
33	56456102	1	Filler Weldment				
34	56478502	1	Cap				
35		6	Screw Hex Washer Head #8-32 x 3/8 HP-5				
36	56456104	1	Gasket				
37		12	Washer Shakeproof 1/4				
38		8	Washer 1/4				
39	56368989	4	Bushing				
40	56368970	3	Bearing Sleeve				
41	56454157	1	Lever Weldment				
42	56364527	1	Knob				
43	56454158	1	Bar				
44	56321532	1	Bushing				
45	56321427	1	Ring Retaining				
46	56368997	1	Bushing				
47	56454164	1	Bar				
48	56471220	1	Bushing				
49	56200972	1	Bearing Sleeve				
50	56454161	1	Plate Weldment				
51		4	Screw Hex Head 1/4-20 x 1/2				



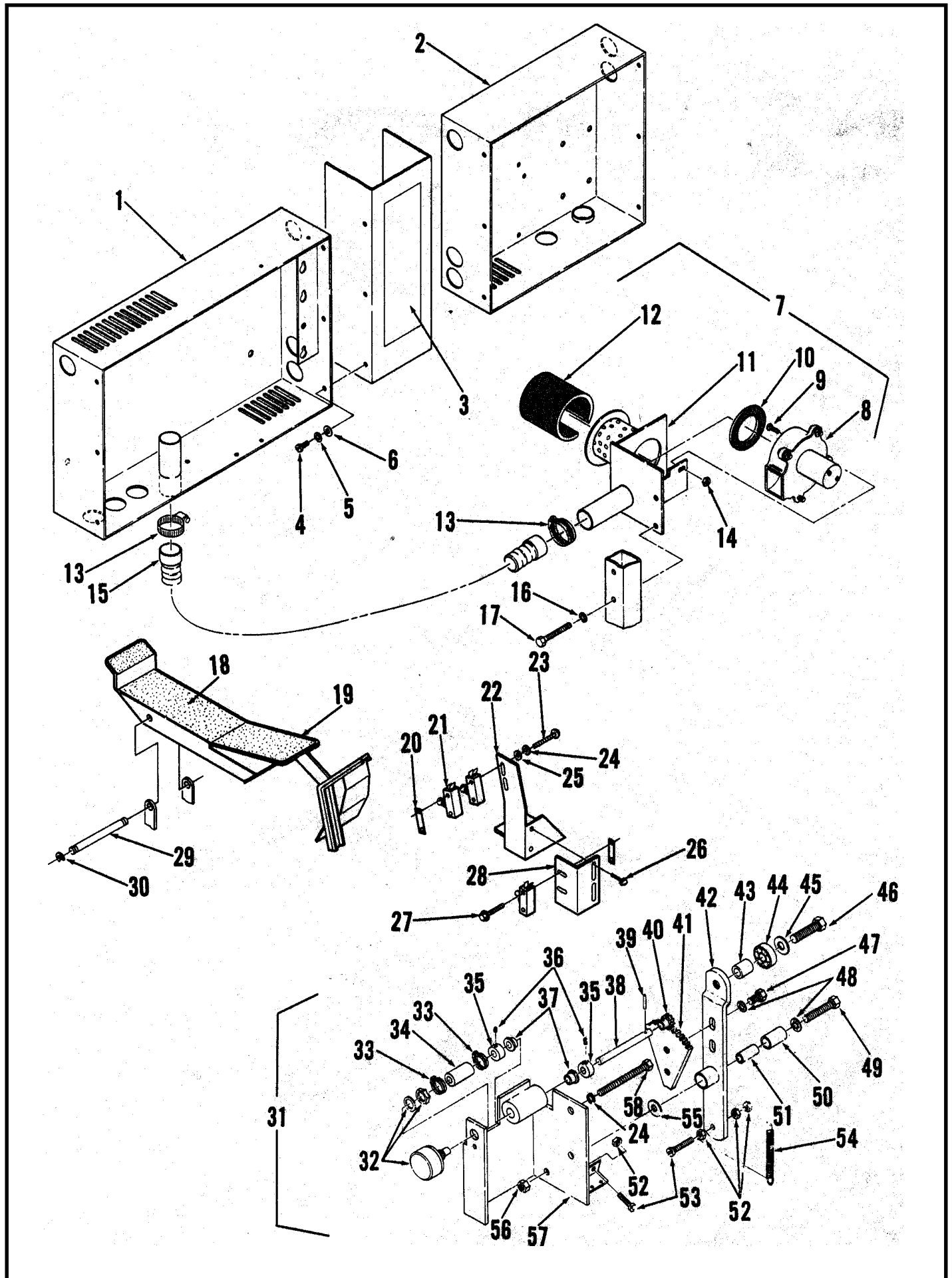
## STANDARD VACUUM SYSTEM

Item	Part No.	Qty	Description	Item	Part No.	Qty	Description
1	56454331	1	Motor Housing Assembly	50	56454730	1	Tube Weldment
2		3	1/4-20 x 3/4 Pan Head Screw	51		2	1/4-20 X 3/4 Screw
3		3	1/4 Lock Washer	52		2	1/4-20 Cap Nut
4	56454330	1	Baffle Weldment	53	56454727	1	Rod
5	56454335	1	Vacuum Motor	54	56454751	1	Baffle
6	56200379	2	Gasket	55	56385349	1	Float
7	56454333	2	Foam 1/4 x 4" x 36"	56	56454724	1	Rod
8	56454340	1	Vacuum Motor Mount	57	56454721	1	Weight
9		4	1/4-20 x 1/2 Hex Head Screw	58	56454272	2	Gasket
10	56440213	5	Hose Clamp	59	56454262	2	Tube Weldment
11	56449215	2	Vacuum Hose	60		4	#10-24 x 3/4 Pan Head Screw
12	56454208	1	Carbon Brush, Set (for 454335)	61		8	#10 Flat Washer
13	56454360	1	Filter Box Assembly	62	56454275	4	Bushing
14		2	5/16-18 Hex Nut	63		4	#10 Shakeproof Washer
15		2	5/16-18 x 2-3/4 Hex Head Screw	64	56454250	2	Spring
16	56454350	1	Filter Box	65	56449221	2	Bumper
17	56468960	1	Screw Receptacle	66		4	1/2-13 Hex Nut
18	56331126	1	Gasket 3/16 x 3/8 x 26"	67		2	1/2 Flat Washer
19	56454259	1	Filter	68		4	10-24 Hex Nut
20	56448108	1	Retaining Washer	69	56761332	4	Brass Washer
21	56454370	1	Door	70	56900737	20	Sealing Washer
22	56448104	1	Fastener Screw	71	56453094	1	Recovery Tank <b>TSB 563 - F14</b>
23		2	#10-24 x 3/8 Pan Head Screw	72		12	1/4-20 x 3/4 Brass Screw
24		2	#10-24 Whiz Nut w/Flange	73	56454778	2	Hinge
25	56477522	1	Barb 3/16 x 1/8	74	56454712	2	Gasket
26	56471052	1	Rubber Tube	75		8	3/8-16 x 3/4 Hex Head Screw with 3/8 SAE Washer
27	56025345	1	Decal, Filter				
28	56454444	1	Terminal Block	76	56454702	1	Plate
29	56479114	1	Vacuum Switch	77	56457313	1	Nut Plate
30	56454345	1	Bracket	78	56454706	1	Gasket
31	56453097	1	Recovery Tank Assembly	79	56454764	1	Tube Weldment
32	56329145	2	Hose Clamp				
33	56372216	1	Drain Hose				
34	56376940	1	Cuff Tube				
35	56376948	1	T-Handle Plug				
36	56376942	1	T-Handle Clip				
37	56745391	2	Chain Hook				
38	56404336	1	Hose Storage Clamp				
39	56376944	1	Clip Hose				
40	56209992	1	Chain				
41	56454745	1	Tube Weldment				
42		15	1/4-20 Brass Hex Nut				
43	56454752	2	Baffle				
44	56454626	22	Washer .26 X 1" x .074				
45	56576520	11	Screw .25 x .875 NC SS				
46	56454709	2	Gasket				
47	56454731	1	Tube Square				
48			Acorn Nut				
49	56454253	1	Gasket				



## VACUUM SYSTEM with HYDRO-MAX OPTION

Item	Part No.	Qty	Description	Item	Part No.	Qty	Description
1	56454331	1	Motor Housing Assembly	46	56454253	1	Gasket
2		3	Screw, Pan Head 1/4-20 x 3/4	47	56456023	1	Float
3		3	Washer, Lock 1/4	48	56321125	2	Retaining Ring Ext
4	56454330	1	Baffle Weldment	49			Barb
5	56454335	1	Vacuum Motor	50			Elbow
6	56200379	2	Gasket	51	56742125	1	Elbow 90 1/2 NPT
7	56454333	2	Foam 1/4 x 4 x 36	52	56456035	1	Strainer
8	56454340	1	Vacuum Motor Mount	53	56448104	4	Fastener Screw
9		4	Screw, Hex Head 1/4-20 x 1/2	54		8	Screw Br Rd Head 1/4-20
10	56440213	5	Hose Clamp	55	56456040	2	Cover
11	56449215	2	Vacuum Hose	56	56456038	2	Gasket
12	56454208	1	Carbon Brush, Set (for 454335)	57	56456039	4	Retaining Strap
13	56454360	1	Filter Box Assembly	58	56456091	1	Weldment Tank
14		2	Nut, Hex 5/16-18	59	56456174	1	Pump
15		2	Screw, Hex Head 5/16-18 x 2-3/4		56503000	1	Valve Kit (for 456174)
16	56454350	1	Filter Box		56503001	1	Diaphragm Kit (for 456174)
17	56468960	1	Receptacle Screw	60	56456112	1	Pump Mount
18	56331126	1	Gasket 3/16 x 3/8 x 26	61			Screw
19	56454259	1	Filter	62	56261246	2	Elbow
20	56448108	1	Retaining Washer	63	56112771	2	Hose Clamp
21	56454370	1	Door	64	56456749	1	Tube PVC
22	56448104	1	Screw	65	56209992	3	Chain
23		2	Screw Pan Head #10-24 x 3/8	66	56376944	3	Clip Hose
24		2	Nut, Whiz W/Flange #10-24	67	56372216	3	Drain Hose
25	56477522	1	Barb 3/16 x 1/8	68	56329145	6	Hose Clamp
26	56471052	1	Rubber Tube	69	56376940	3	Cuff Tube
27	56025345	1	Decal, Filter	70	56376948	3	Plug
28	56454444	1	Terminal Block	71	56376942	3	Plug Clip
29	56479114	1	Vacuum Switch	72	56745391	6	Chain Hook
30	56454345	1	Bracket		56404336	3	Hose Storage Clamp (not shown)
31	56456158	1	Recovery Tank Assembly	73	56016519	1	Decal, Advance
32	56456042	1	Basket Weldment	74	56025330	1	Decal, 5000B
	56456131	1	Basket Handle				
33	56456032	1	Panel Screen				
34	56456037	4	Retaining Tab				
35	56456033	1	Panel Screen				
36	56385349	1	Float				
37	56456030	1	Baffle				
38		2	Nut, Hex Flex-Loc 1/4-20				
39	56454727	1	Rod				
40		2	Cap Nut 1/4-20				
41	56454724	1	Rod				
42	56454721	2	Weight				
43	56388167	2	Mercury Switch				
44	56456119	1	Rod Weldment				
45	56209485	4	Screw, Pan Head #10-24 x 1/2 SS				

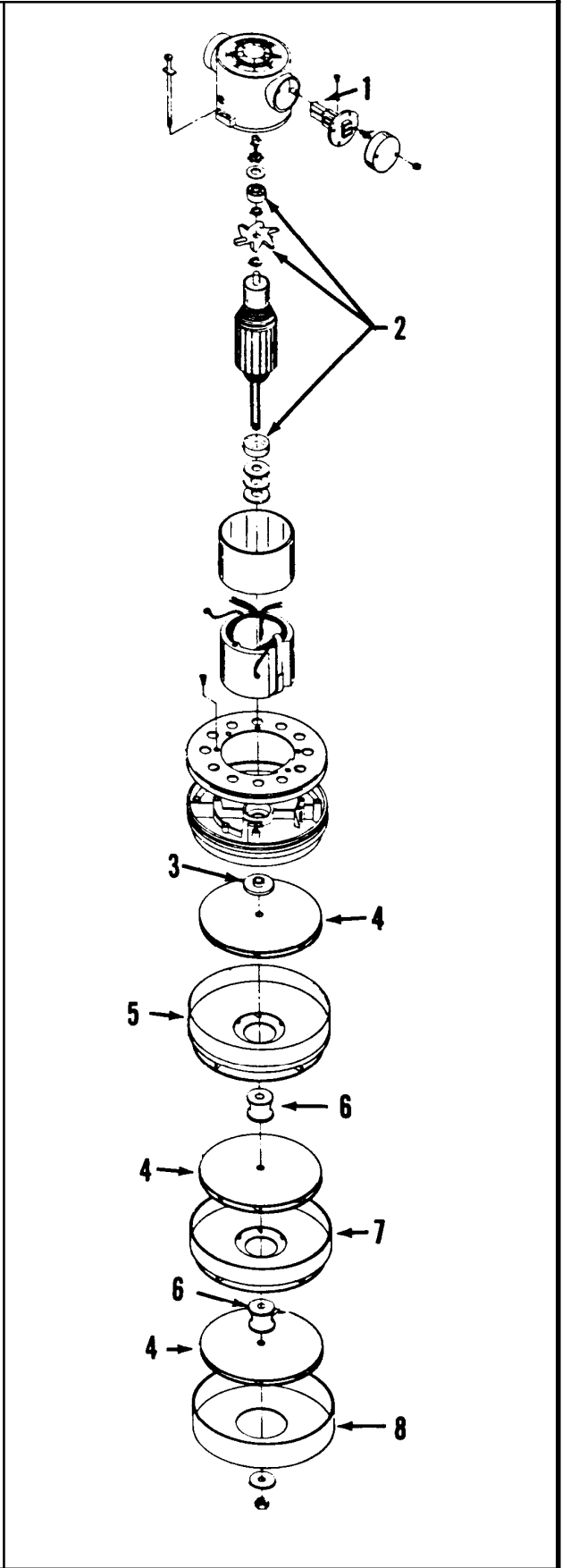


## DRIVE PEDAL AND BLOWER

Item	Part No.	Qty	Description	Item	Part No.	Qty	Description
1	56454714	1	Electrical Panel - Right Front	50	56200972	1	Sleeve Bearing .378
2	56454420	1	Electrical Panel - Left Front	51	56471220	1	Bushing
3	56025372	1	Decal, Breaker	52		4	Nut, Hex #10-24
4		6	Screw, Pan Head #10-24 x 1/2	53		2	Screw, Pan Head #10-24 x 1
5		6	Shakeproof Washer #10	54	56324580	2	Extension Spring
6		6	Flat Washer #10	55		1	Flat Washer 1/4
7	56454467	1	Blower Assembly	56		1	Nut, Hex 1/4-20
8	56454531	1	Blower 12V D.C.	57	56454022	1	Mounting Bracket
9		2	Screw, Pan Head #8-32 x 7/8	58		2	Screw, Hex Head 1/4-20 x 2-1/2
10	56200573	1	Gasket				
11	56454466	1	Blower Bracket				
12	56454473	1	Filter				
13	56131601	2	Hose Clamp				
14		2	Nut Hex #8-32				
15	56454533	1	Vacuum Hose				
16		2	Shakeproof Washer 1/4				
17		2	Screw, Hex Head 1/4-20 x 3/4				
18	56449958	1	Pedal Mat				
19	56454785	2	Foot Pedal				
20	56385747	2	Nut Plate				
21	56761452	3	Switch				
22	56454797	1	Bracket				
23		2	Screw Pan Head #6-32 x 1.25				
24		2	Washer Shakeproof				
25		2	Flat Washer				
26		2	Screw Hex Head #10-24 x 1/2				
27		2	Screw Hex Head #6-32 x 7/8				
28	56454791	1	Bracket				
29	56454010	1	Pin				
30	56373797	2	Retaining Ring				
31	56454004	1	Resistor Linkage Assembly				
32	56454740	1	Potentiometer				
33	56756364	2	Hose Clamp				
34	56454036	1	Coupler				
35	56159832	2	Collar				
36		2	Screw Socket. Set #10-24 x 3/16				
37	56756318	2	Flange Bearing .250				
38	56454038	1	Pin				
39		1	Spring Pin 3/32 x 1/2				
40	56454011	1	Spur Gear				
41	56454016	1	Section Gear				
42	56454040	1	Gear Section Bar				
43	56228052	1	Bushing				
44	56228051	1	Ball Bearing .3150				
45		1	Flat Washer 5/16				
46		1	Screw, Hex Head 5/16-18 x 1 W/Shakeproof				
47		2	Screw, Hex Head 1/4-20 x 1/2				
48		3	Shakeproof Washer 1/4				
49		1	Screw, Hex Head 1/4-20 x 1-1/2				

# VACUUM MOTOR ASSEMBLY

Item	Part No.	Qty	Description
1	56454208	1	Carbon Brush (set of 2)
2	56494007	1	Bearing/Fan Kit (2 Armature Bearings & Cooling Fan)
3	56494011	1	Spacer
4	56494015	3	Rotating Fan
5	56494019	1	Stationary Fan
6	56494017	2	Spacer
7	56494021	1	Stationary Fan
8	56494023	1	Fan Shell



**OPTIONAL PARTS AND ACCESSORIES****Part No. Qty Description**

56458000	1	Hydro-Trailer
56458364	1	Hydro-Trailer Installation Kit
56454400	1	475 Amp Hour Battery
56448130	1	100 Amp Battery Charger
56505232	1	Ultra-Grit Scrub Brush, Set of 2
56505233	1	Nylo-Grit Scrub Brush, Set of 2
56505231	1	Prolene Scrub Brush, Set of 2
56554640	1	Butcher Wire Cutting Tools
56505230	1	Short Trim Pad Holder, Set of 2
56453617	1	Vacuum Wand Kit
56453260	1	Overhead Guard
56043003	1	Hydro-Retriever 5000B Service Manual