



Electronic Service Manuals

This electronic document is provided as a service to our customers. We do not create the contents of the information contained in this document. Should you have detailed questions pertaining to the information contained in this document, you may contact Michco, or the manufacturer which provided the original information in this electronic deliverable. Michco's only part in this electronic deliverable was the electronic assembly process.

You may contact Michco through the following methods:
Phone (517) 484-9312 or (800) 331-3339 MI, OH, IN only
2011 N. High St. -- Lansing, Michigan -- 48906
Fax: (517) 484-9836
Email: CustServ@Michco.com
Web site: www.Michco.Com
Parts Web site: www.FloorMachineParts.Com

Order Parts on Line at:
www.FloorMachineParts.Com

Directly to Parts & Service:
By Email: **Shop@Michco.com**
By Fax: (517) 702-2041
By Voice: Use numbers above.

Serving the Cleaning Industry Since 1922

Notice: All copyrighted material remains property of original owners, all trademarks are property of respective owners. Manuals are subject to Manufacturer's reproduction limitations. Originals or reproductions were provided by manufacturers through a request. We make no warranty as to the correctness of information provided in this document and you assume all risk.

Whirlamatic™ 2000B-W

PARTS LIST **Advance MODEL 56389402(OBSOLETE)**



Nilfisk
Advance
setting standards

12/93 revised 3/01 Form Number 56042283

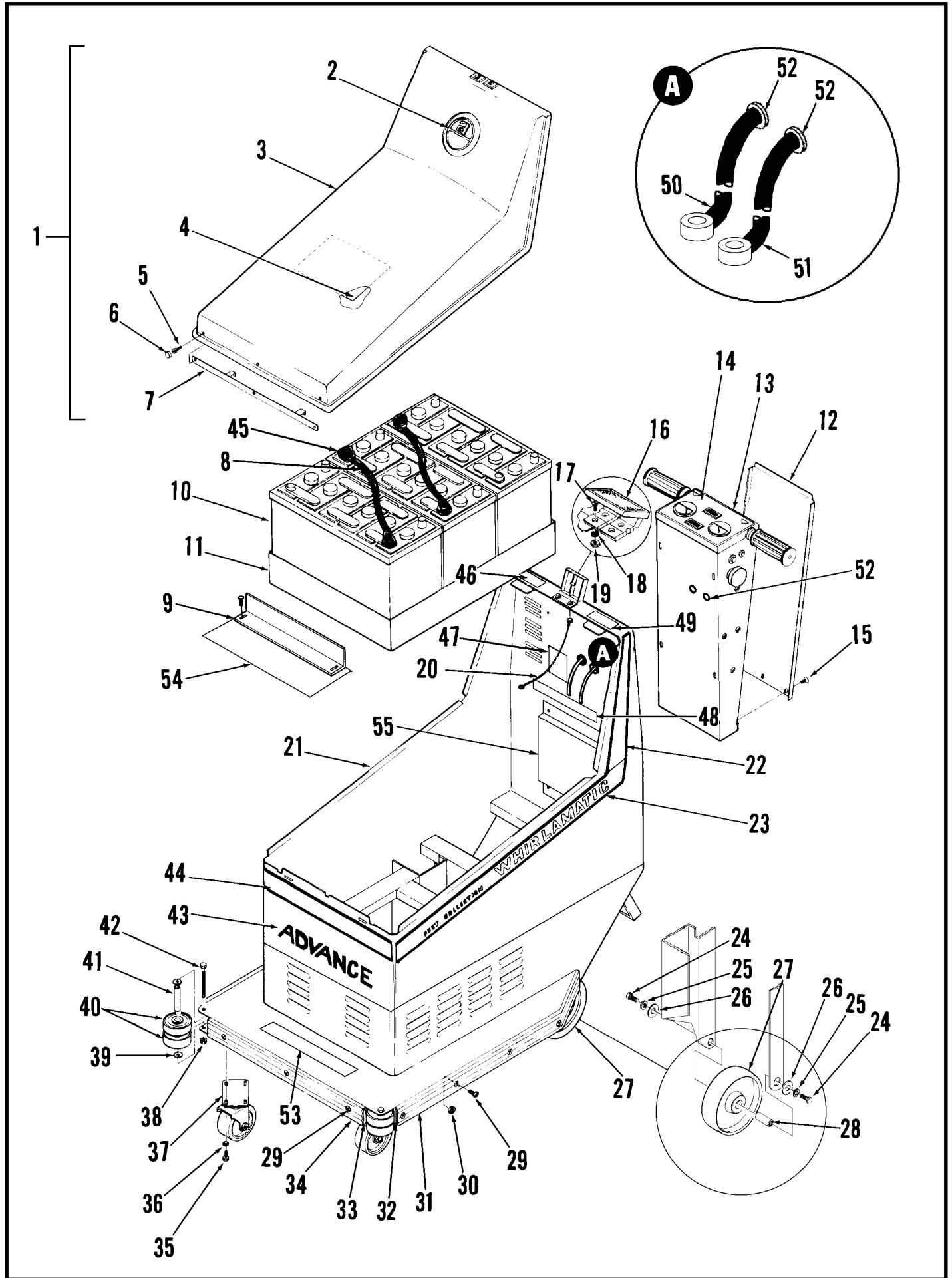
TABLE OF CONTENTS

DESCRIPTION	PAGE
Housing Assembly	1-2
Control Handle Assembly	3-4
Drive Unit & Dust Control	5-6
Wiring Diagram	7-8
Optional Parts & Accessories	8

WHEN ORDERING PARTS

- * Use the 8 digit numbers from the "Part No." columns in this parts list.
- * Specify the model and serial number of the machine.
- * Use the space below to record the model and serial number for future reference.

Model _____ Serial No. _____

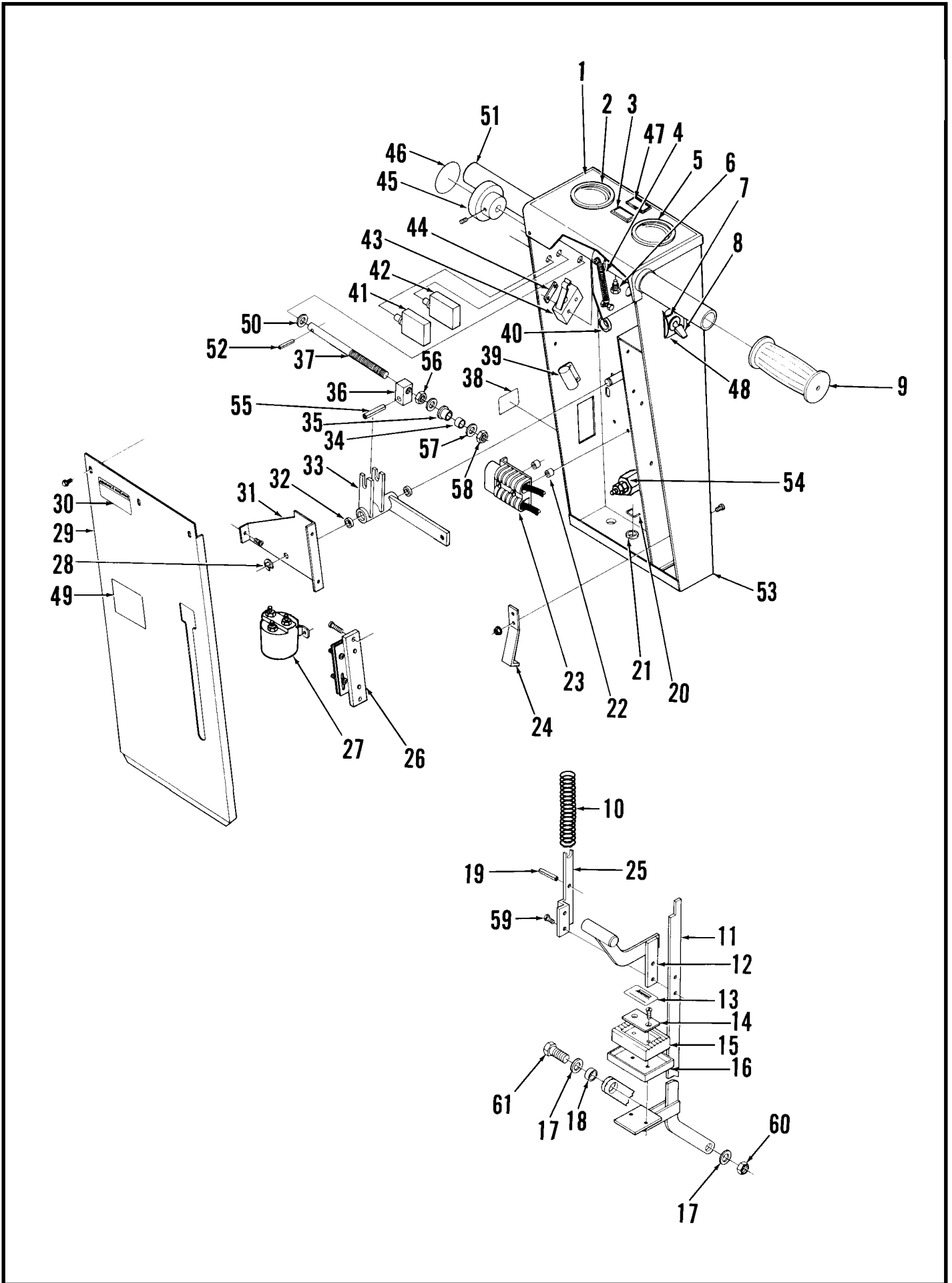


HOUSING ASSEMBLY

Item	Part No.	Qty	Description	Item	Part No.	Qty	Description
1	56389414	1	Shroud Assembly (#1-7)	28	56391100	2	Axle
2	56014987	1	Decal, Logo 190	29	56001993	13	#10-24 x 1/2 Screw
3	56391097	1	Shroud	30	56002768	13	#10-24 Nyl Loc Nut
4	56014165	1	Wiring Decal	31	56391101	2	Side Bumper
5	56002043	3	#10-24 x 3/8 Screw	32	56391102	2	Side Bumper Strap
*	56002349	3	#10-24 Nyl Loc Nut	33	56391104	1	Front Bumper Strap
6	56387190	3	Snap Cap	34	56391103	1	Front Bumper
7	56386760	1	Bracket	35	56001862	8	5/16-18 x 1/2 Bolt
8	56363936	2	Battery Cable	36	56002220	8	5/16 Washer
9	56391131	1	Battery Stop	37	56206725	2	Swivel Caster
10	56388013	3	12V Battery (185AH)**	38	56002708	2	1/4-20 Nyl Loc Nut
	56376014	6	6V Battery (244AH/optional)**	39	56371009	4	Washer
11	56388140	1	Battery Tray	40	56363855	4	Bumper Wheel
	56391141	1	Battery Tray Kit for 6V **	41	56386823	2	Bushing
12	56389458	1	Back Panel	42	56001855	2	1/4-20 x 2-1/2 Screw
13	56389419	1	Handle	43	56014046	1	Decal, Advance
14	56014063	1	Decal, Panel	44	56014041	1	Decal, Front Strap
15	56003068	3	#6-32 x 3/8 Screw	45	56372673	6	Battery Post Boot
16	56389454	1	Draw Latch	46	56025294	1	Decal, Warning
17	56002332	4	#6-32 x 5/8 Flt Hd Screw	47	56025264	1	Decal, Cable Routing
18	56002006	4	#6 Flat Washer	48	56025363	1	Decal, Caution
19	56002830	4	#6-32 Nyl Loc Nut	49	56025296	1	Decal, Spanish
20	56261189	1	Rope Assembly	50	56389421	1	Battery Cable
21	56391050	1	Main Chassis	51	56386975	1	Battery Cable
22	56014038	1	Decal, Rear Stripe Left	52	56157376	4	Grommet
	56014037	1	Decal, Rear Stripe Right	53	56016106	1	Decal, Caution
23	56014040	1	Decal, Side Stripe Left	54	56389423	1	Plastic Shield
	56014039	1	Decal, Side Stripe Right	55	56391122	1	Bracket
24	56002513	4	1/4-20 x 1/2 HP-5 Screw	*	56014941	1	Nameplate
25	56151114	4	1/4 Lock Washer				
26	56454626	4	Washer				
27	56391110	2	Wheel				

** = Optional Accessory, not included

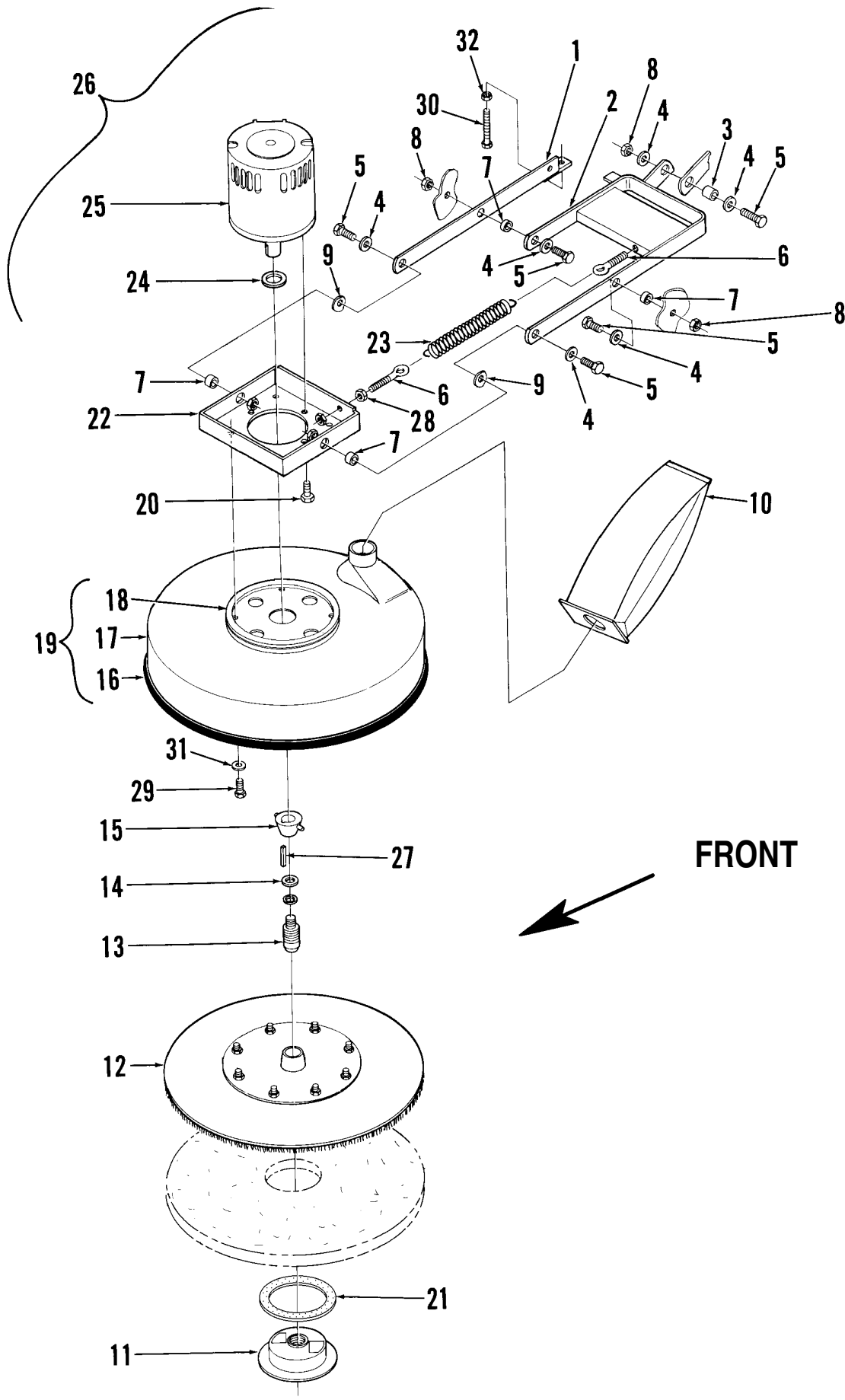
* = Not Shown



CONTROL HANDLE ASSEMBLY

Item	Part No.	Qty	Description	Item	Part No.	Qty	Description
1	56014063	1	Decal, Control Panel	33	56388168	1	Pivot Bracket
2	56448677	1	Battery Condition Meter	34	56388326	1	Bushing
3	56389434	1	Green Indicator Light	35	56185264	1	Flange Bushing
4	56328790	1	Spring	36	56388210	1	Block
5	56391132	1	Load Meter	37	56388212	1	Adjustment Rod
6	56234079	1	Screw	38	56016324	1	Decal, Charger Plug
7	56014016	1	Decal, On-Off	39	56388163	1	Switch
8	56207071	1	Main Switch	40	56157376	2	Grommet
9	56388545	2	Handle Grip	41	56454538	1	Circuit Breaker 15A
10	56372129	1	Spring	42	56454429	1	Circuit Breaker 70A
11	56389438	1	Foot Pedal	43	56388019	1	Switch
12	56388180	1	Handle	44	56376015	1	Nut Plate
13	56016281	1	Decal, Brush	45	56475480	1	Adjustment Knob
14	56365081	1	Plate	46	56014963	1	Decal, Pad Pressure
15	56365082	1	Rubber Plate	47	56389433	1	Red Indicator Light
16	56365083	1	Pedal Cup	48	56200352	1	Switch Guard
17	56367214	2	Washer	49	56014932	1	Decal, Lower Brush
18	56382086	1	Bushing	50	56151068	1	Fibre Washer
19	56002082	1	Spring Pin 3/16 x 1	51	56388164	1	Handle Tube
20	56162981	2	Strain Relief	52	56002474	1	Spring Pin 1/8 x 5/8
21	56163007	2	Grommet	53	56389419	1	Control Handle
22	56475411	2	Bushing	54	56469858	1	Insulated Stand-off
23	56389268	1	Charger Plug Assembly	*	56150274	1	Stud (for 469858)
*	56376435	1	Interlock Switch	55	56469054	1	Spring Pin 1/4 x 3/4
*	56389270	1	Switch Bracket	56	56003015	1	3/8-16 Nut
24	56386764	1	Spring Bracket	57	56002055	2	3/8 Flat Washer
25	56389412	1	Bracket	58	56002769	1	3/8-16 Nyl Loc Nut
26	56386793	1	Shunt	59	56002513	2	1/4-20 x 1/2 HP-5 Screw
27	56395450	1	Solenoid	60	56002770	1	1/2-13 Nyl Loc Nut
28	56321427	1	Retaining Ring	61	56001996	1	1/2-13 x 3/4 Bolt
29	56389458	1	Back Panel				
30	56015402	1	Nameplate				
31	56389455	1	Plate				
32	56368970	2	Bearing				

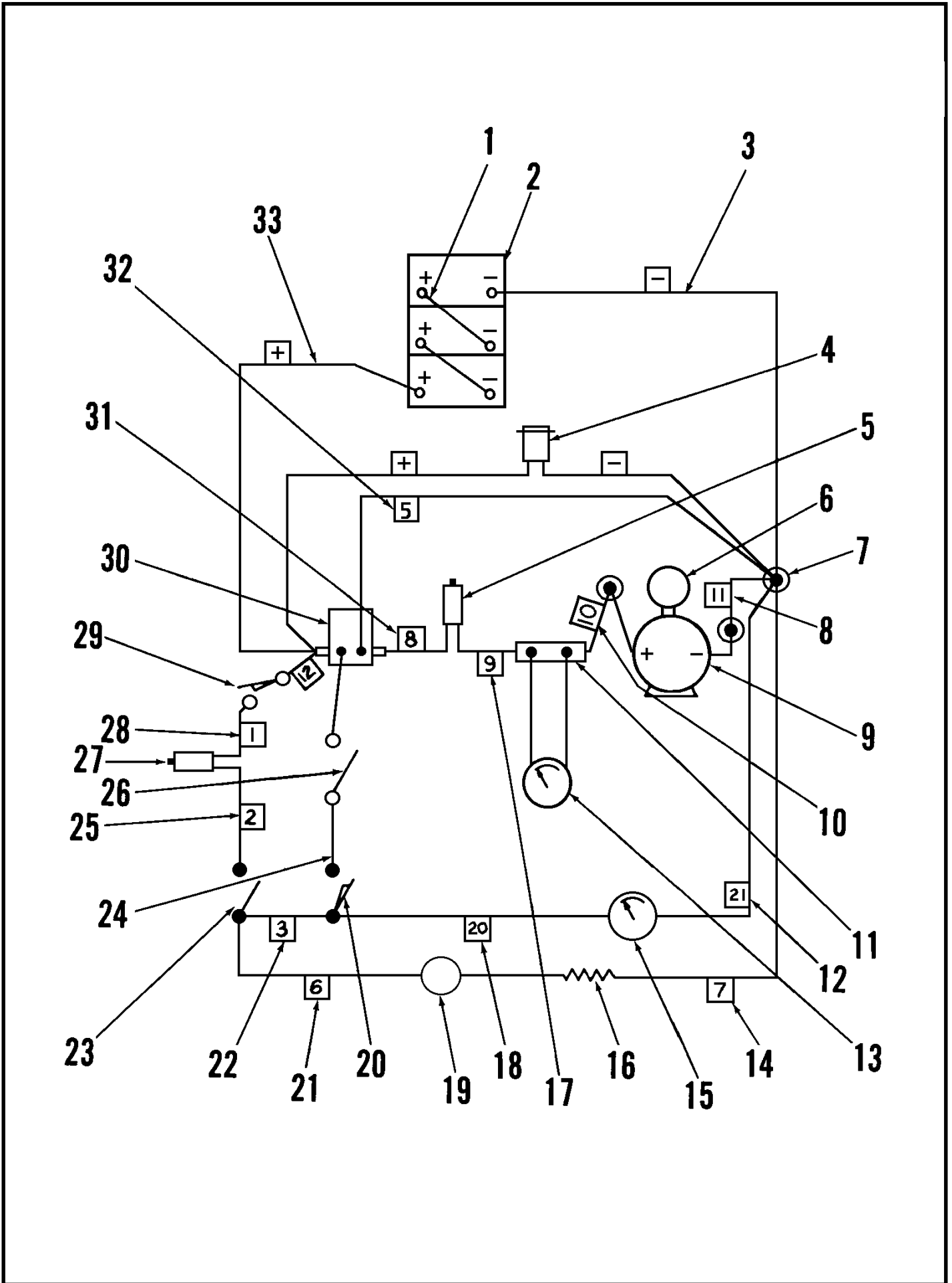
* = Not Shown



DRIVE UNIT AND DUST CONTROL

Item	Part No.	Qty	Description
1	56391028	1	Strap
2	56391025	1	Lift Arm
3	56360627	1	Bushing
4	56367214	6	Washer
5	56001996	5	1/2-13 x 3/4 Bolt
6	56457176	2	Eye Bolt
7	56367206	4	Bushing
8	56002770	5	1/2-13 Nyl Loc Nut
9	56398056	2	Spring Washer
10	56391185	1	Filter Bag (pkg of 6)
11	56388111	1	Centering Cup
12	56389440	1	Pad Holder Assembly
13	56388455	1	Stud
14	56180200	1	Washer
15	56391093	1	Driver Assembly
16	56391172	1	Edging Assembly
17	56391170	1	Dust Shroud
18	56200754	27"	Gasket (70 cm)
19	56100648	1	Dust Control Assembly
20	56002234	4	3/8-16 x 5/8 Bolt
21	56391165	1	Retainer
22	56391155	1	Motor Plate
23	56382000	1	Spring
24	56475280	1	Washer
25	56389422	1	Motor
*	56389371	1	Carbon Brush (Set of 4)
*	56389395	1	Brush Spring (Set of 4)
26	56389417	1	Drive Unit Assembly
27	56158135	1	Key
28	56002040	4	1/4-20 Nut
29	56001861	4	1/4-20 x 3/8 Screw
30	56002426	1	5/16-18 x 2-1/2 Bolt
31	56001906	4	1/4 Flat Washer
32	56002025	1	5/16-18 Nut

* = Not Shown



WIRING DIAGRAM

Item	Part No.	Qty	Description
	56014165	1	Decal, Wiring
1	56363936	2	Battery Cable
2	56388013	3	Battery, 12V-185 Amp Hour **
	56376014	6	Battery 6V-244 Amp Hour ** (optional)
3	56389421	1	Cable Assembly
4	56389268	1	Charger Plug Assembly
5	56454429	1	Circuit Breaker 70A
6	56389433	1	Red Light Indicator
7	56469858	3	Insulated Stand-Off
8	56388406	1	Cable Assembly
9	56389422	1	Motor, 36V
	56389371	1	Carbon Brush (set of 4)
	56389395	1	Carbon Brush Springs (set of 4)
10	56388408	1	Cable Assembly
11	56386793	1	Shunt
12	56388418	1	Wire Assembly
13	56391132	1	Load Meter
14	56386945	1	Wire Assembly
15	56448677	1	Battery Condition Meter
16	56389453	1	Resistor
17	56388412	1	Cable Assembly
18	56388416	1	Wire Assembly
19	56389434	1	Green Indicator Light
20	56388019	1	Switch
21	56386957	1	Wire Assembly
22	56386955	1	Wire Assembly
23	56207071	1	Switch
24	56388242	1	Wire Assembly
25	56386961	1	Wire Assembly
26	56388163	1	Mercury Switch
27	56454538	1	Circuit Breaker 15A
28	56388414	1	Wire Assembly
29	56376435	1	Interlock Switch
30	56395450	1	Solenoid
31	56386967	1	Cable Assembly
32	56386951	1	Wire Assembly
33	56386975	1	Cable Assembly

** Batteries not included

OPTIONAL PARTS AND ACCESSORIES

56372974	1	Automatic Battery Charger 36V / 20Amp
56505550	1	Soft Finish (Tampico) Burnishing Brush
56505551	1	Hard Finish (Union Mix) Burnishing Brush



Nilfisk-Advance, Inc.
14600 21st Avenue North
Plymouth, MN, 55447-3408
www.nilfisk-advance.com
Phone: 800-989-2235
Fax: 800-989-6566
©2001 Nilfisk-Advance, Inc.,
Plymouth, MN 55447-3408
Printed in the U.S.A.