



Electronic Service Manuals

This electronic document is provided as a service to our customers. We do not create the contents of the information contained in this document. Should you have detailed questions pertaining to the information contained in this document, you may contact Michco, or the manufacturer which provided the original information in this electronic deliverable. Michco's only part in this electronic deliverable was the electronic assembly process.

You may contact Michco through the following methods:
Phone (517) 484-9312 or (800) 331-3339 MI, OH, IN only
2011 N. High St. -- Lansing, Michigan -- 48906
Fax: (517) 484-9836
Email: CustServ@Michco.com
Web site: www.Michco.Com
Parts Web site: www.FloorMachineParts.Com

Order Parts on Line at:
www.FloorMachineParts.Com

Directly to Parts & Service:
By Email: **Shop@Michco.com**
By Fax: (517) 702-2041
By Voice: Use numbers above.

Serving the Cleaning Industry Since 1922

Notice: All copyrighted material remains property of original owners, all trademarks are property of respective owners. Manuals are subject to Manufacturer's reproduction limitations. Originals or reproductions were provided by manufacturers through a request. We make no warranty as to the correctness of information provided in this document and you assume all risk.

HydroDry™



PARTS LIST

Advance MODELS 56259050, 56259055, 56259060

This parts list is for machines after serial number 288896

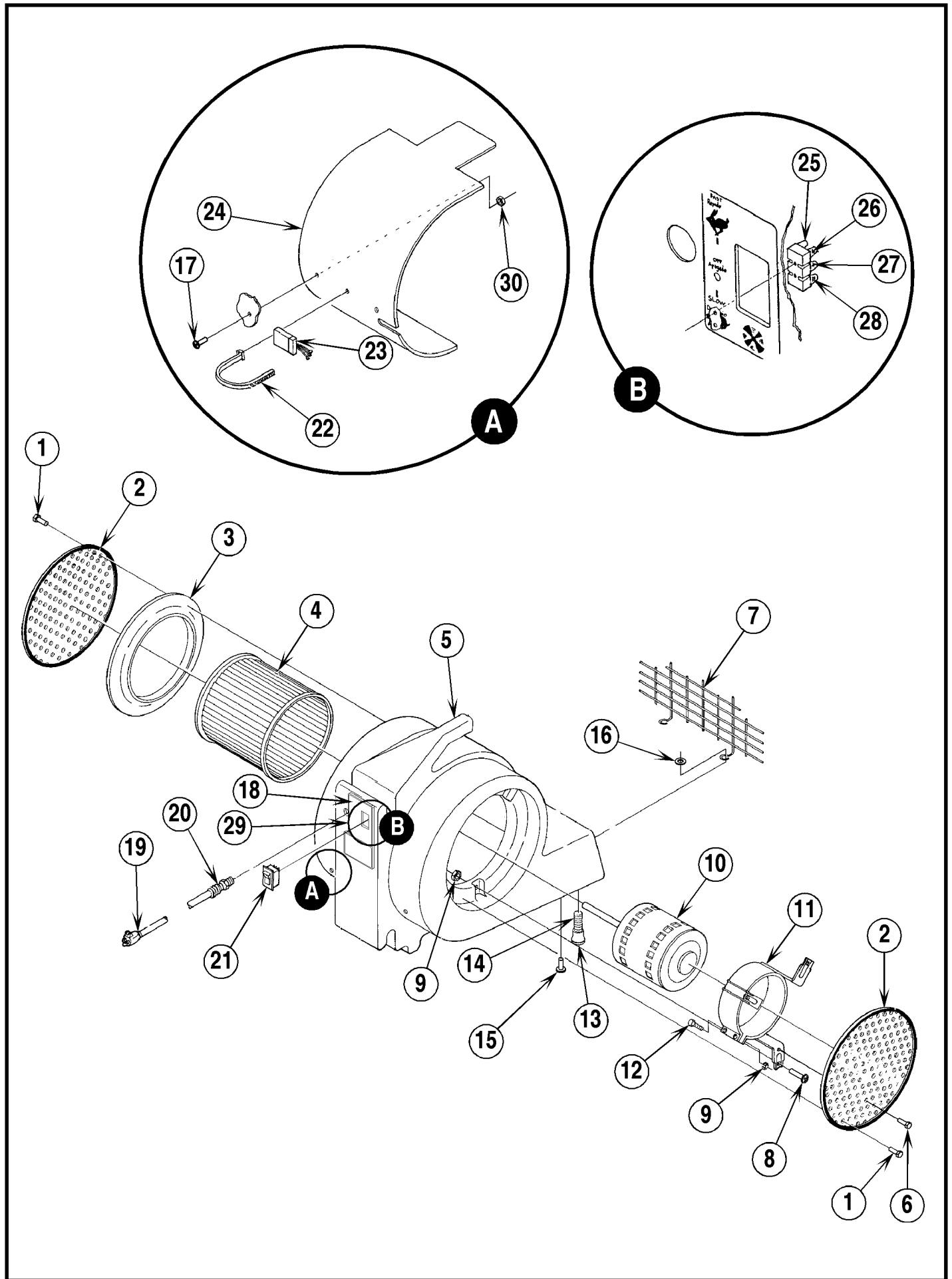
All models covered in this manual are OBSOLETE



**Nilfisk
Advance**

setting standards

9/88 revised 3/01 FORM NO. 56042182



HYDRO DRY

Item	Part No.	Qty	Description
1	56900185	8	Screw
2	56259075	2	Intake Screen
3	56259073	1	Side Shroud
4	56259068	1	Blower Wheel
5	56259062	1	Housing
6	56014449	1	Decal, Advance
7	56259090	1	Exhaust Grill
8	56014448	1	Decal, Logo
9	56014445	1	Decal, Side Stripe Left
	56014447	1	Decal, Side Stripe Right
10	56259064	1	Motor 115V (See Note Below)
	56259094	1	Motor 100V
	56259084	1	Motor 230V
11	56259065	1	Motor Mount Weldment
12	56259076	2	Trim
13	56259080	2	Leg Cap
14	56259079	2	Leg
15	56014444	1	Decal, Side Stripe Left
	56014446	1	Decal, Side Stripe Right
16	56015324	1	Advance Name Plate
17	56014158	1	Decal, Warning
18	56014333	1	Decal, Fan Speed
19	56259072	1	Cord 115V
	56259089	1	Power Cord 100V
	56259088	1	Power Cord 230V
20	56323046	1	Strain Relief 100V, 115V
	56323136	1	Strain Relief 230V
21	56261245	1	Switch
22	56477613	1	Wire Tie
23	56259070	1	Capacitor
24	56259069	1	Baffle Panel
25	56183523	1	Terminal Block (230V only)
26	56900139	1	Decal, "L"
27	56900135	1	Decal, Ground Symbol
28	56900231	1	Decal, "N"
*	56015462	1	Decal, Warning

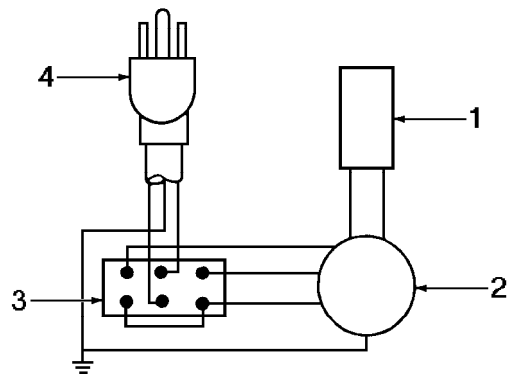
* = Not Shown

NOTE: if original Motor was General Electric, install a 56259070 Capacitor along with this (Emerson) Motor.

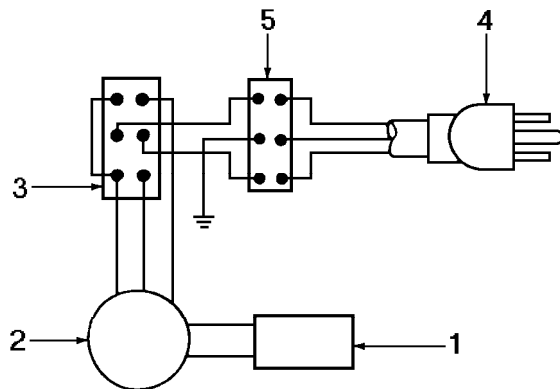
WIRING DIAGRAM

Item	Part No.	Qty	Description
1	56259070	1	Capacitor
2	56259094	1	Motor 100V
	56259064	1	Motor 115V (See Note Below)
	56259084	1	Motor 230V
3	56261245	1	Switch, Rocker DPDT
4	56259089	1	Power Cord 100V
	56259072	1	Power Cord 115V
	56259088	1	Power Cord 230V
5	56183523	1	Terminal Block (230V only)

NOTE: if original Motor was General Electric, install a 56259070 Capacitor along with this (Emerson) Motor.



100V, 115V



230V



Nilfisk-Advance, Inc.
14600 21st Avenue North
Plymouth, MN, 55447-3408
www.nilfisk-advance.com
Phone: 800-989-2235
Fax: 800-989-6566
©2001 Nilfisk-Advance, Inc.,
Plymouth, MN 55447-3408
Printed in the U.S.A.