



Electronic Service Manuals

This electronic document is provided as a service to our customers. We do not create the contents of the information contained in this document. Should you have detailed questions pertaining to the information contained in this document, you may contact Michco, or the manufacturer which provided the original information in this electronic deliverable. Michco's only part in this electronic deliverable was the electronic assembly process.

You may contact Michco through the following methods:
Phone (517) 484-9312 or (800) 331-3339 MI, OH, IN only
2011 N. High St. -- Lansing, Michigan -- 48906
Fax: (517) 484-9836
Email: CustServ@Michco.com
Web site: www.Michco.Com
Parts Web site: www.FloorMachineParts.Com

Order Parts on Line at:
www.FloorMachineParts.Com

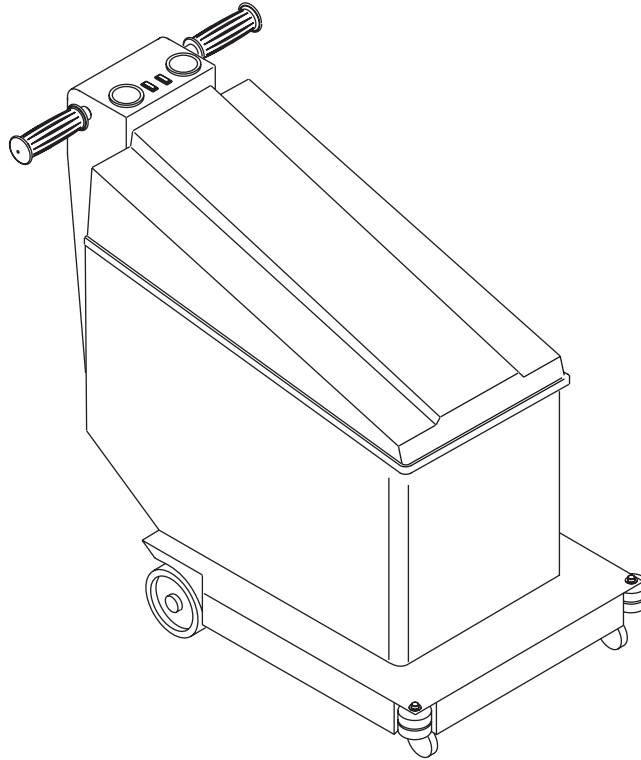
Directly to Parts & Service:
By Email: **Shop@Michco.com**
By Fax: (517) 702-2041
By Voice: Use numbers above.

Serving the Cleaning Industry Since 1922

Notice: All copyrighted material remains property of original owners, all trademarks are property of respective owners. Manuals are subject to Manufacturer's reproduction limitations. Originals or reproductions were provided by manufacturers through a request. We make no warranty as to the correctness of information provided in this document and you assume all risk.

Whirlamatic™ UHSB 20

Whirlamatic™ UHSBD 20



PARTS LIST

Advance MODELS 56393500 (UHSB 20)
56393600 (UHSBD 20 / OBSOLETE)



Advance

by Nilfisk-Advance

1/91 revised 3/05 FORM NO. 56042243

DESCRIPTION	PAGE
CHASSIS AND SHROUD	2-3
HANDLE ASSEMBLY	4-5
PAD DRIVE ASSEMBLY	6-7
DRIVE MOTOR (UHSBD 20).....	8-9
WIRING DIAGRAM (UHSB 20)	10-11
WIRING DIAGRAM (UHSB 20 / Low Voltage Lockout Kit).....	12-13
WIRING DIAGRAM (UHSBD 20).....	14-15

WHEN ORDERING PARTS

- * Use the 8 digit numbers from the "Ref. No." columns in this parts list.
- * Specify the model and serial number of the machine.
- * Use the space below to record the model and serial number for future reference.

Model _____ Serial No. _____

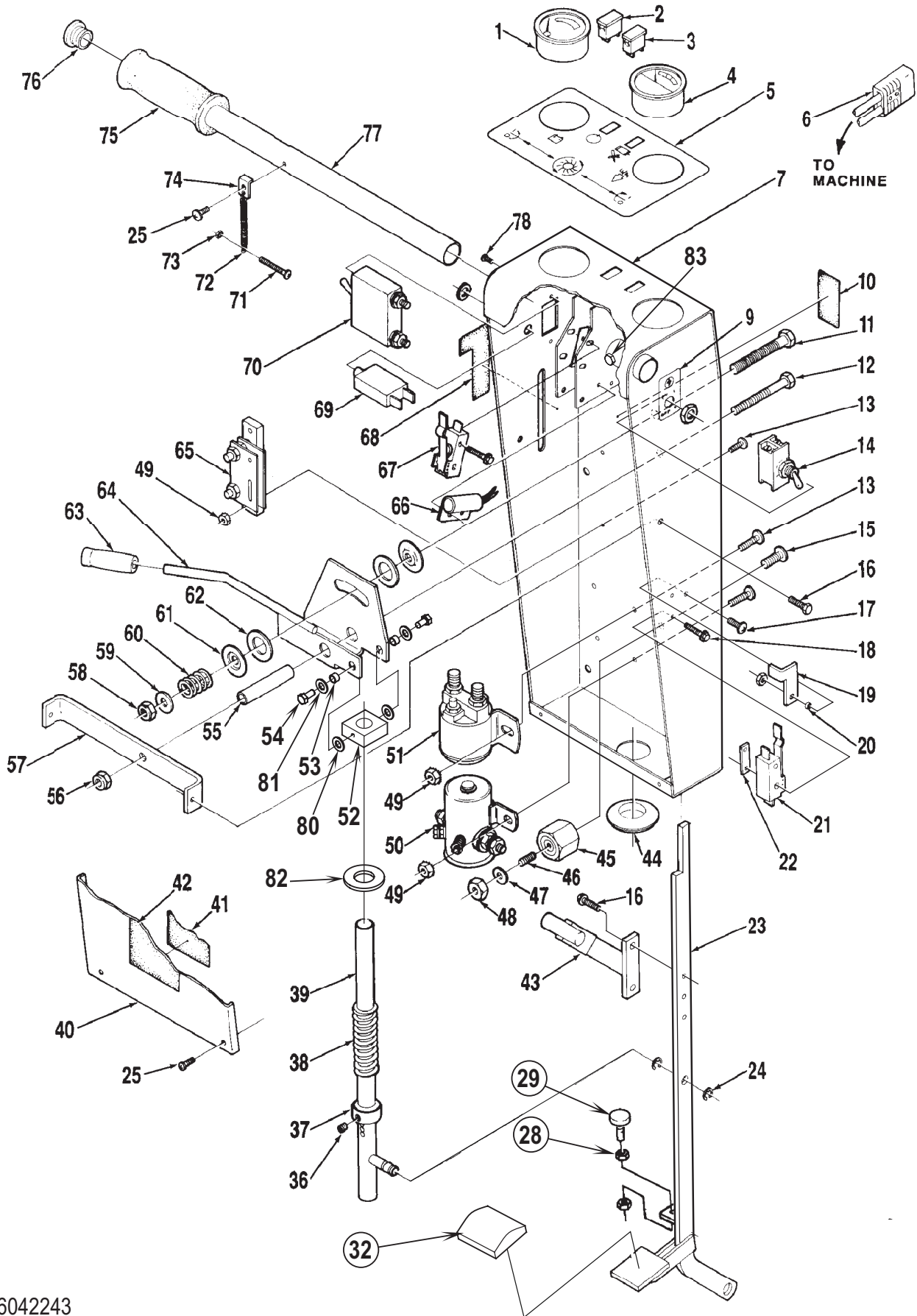
91-1

CHASSIS SYSTEM

00-9

Whirlamatic™ UHSB 20 / UHSBD 20**3**

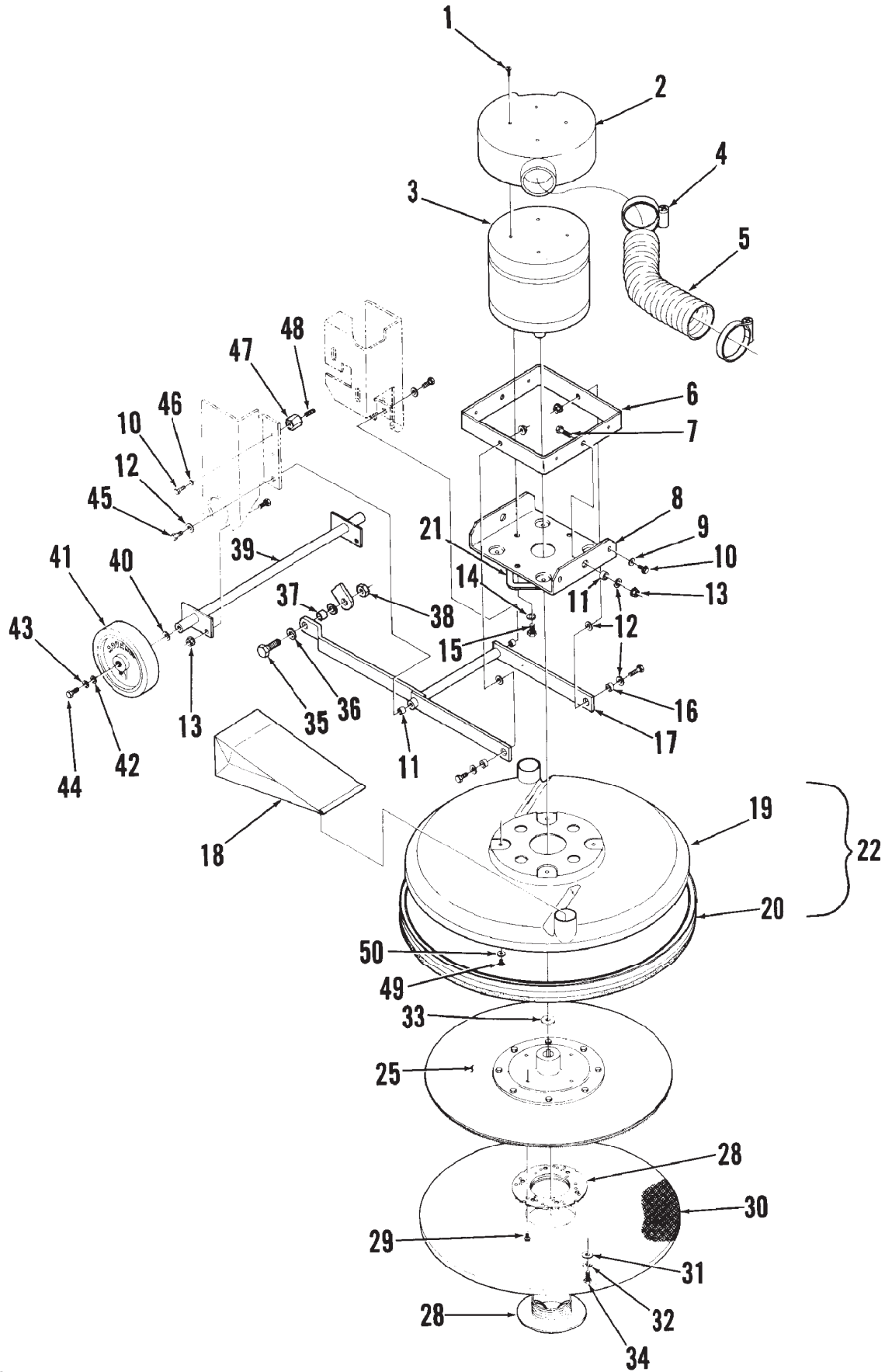
Item	Ref. No.	Qty	Description
	56393561	1	Shroud Assembly (#1-6)
1		8	#6-32 x 3/8 Screw
2	56393559	2	Keeper
3		8	#6-32 Nut
4	56393503	1	Shroud
5		3	#10-24 x 3/8 Screw
6	56393539	1	Bracket
7	56391127	1	Connector with Wires TSB 730
8	56372673	12	Battery Boot
9	56363936	2	Cable TSB 730
10	56393574	1	Battery Tray
11	56393730	1	Chassis
12	56262534	4	Cap
13	56363928	3	Cable TSB 730
14	56393543	2	Pin
15	56363855	4	Wheel
16	56328022	2	Bushing
17	56206725	2	Caster
18		6	1/4-20 x 1/2 Screw
22	56016415	3	Decal, UHSB 20
23	56015171	1	Decal, Important
24	56393560	2	Latch
25	56393549	2	Trim
26	56157376	2	Grommet
27	56015120	1	Decal, Pad Replacement
28	56393578	1	Strap
29	56393581	2	Bumper



Item	Ref. No.	Qty	Description	Item	Ref. No.	Qty	Description
	56393501	1	Handle Assembly (56393500 only)	50	56395452	1	Contactors 36V (56393600 only)
	56393615	1	Handle Assembly (56393600 only)	51	56395450	1	Contactors
1	56448677	1	Battery Meter	52	56393696	1	Bearing Block Assembly
2	56389434	1	Green Indicator Light (before February 1998)	53	56200123	2	Bushing
	56392858	1	Green Indicator Light (after January 1998)	54	56009039	2	#10-24 x 1/2 Hex Screw
3	56389433	1	Red Indicator Light (before February 1998)	55	56393520	1	Pivot
	56393863	1	Red Indicator Light (after January 1998)	56		1	5/16-18 Nut
4	56389527	1	Amp Meter TSB 672	57	56393534	1	Support
5	56015114	1	Decal, Control Handle	58	56371424	1	Nut
6	56393568	1	Connector with Wires	59		1	3/8 Flat Washer
7	56393554	1	Handle (before SN 531968)	60	56171177	1	Spring
	56393653	1	Handle (after SN 531697)	61	56440760	2	Washer
9	56016112	1	Decal, Switch	62	56367184	2	Thrust Bearing
10	56025264	1	Decal, Cable Routing	63	56471193	1	Grip
11		1	3/8-16 x 2 1/2 Bolt	64	56393528	1	Lever TSB 672
12		1	5/16-18 x 3 1/2 Bolt	65	56386793	1	Shunt
13		4	#10-24 x 1 Screw	66	56393569	1	Mercury Switch
14	56207071	1	Main Switch TSB 575	67	56385615	1	Switch (2 on 56393600)
15		2	1/4-20 x 3/4 Screw	68	56015122	1	Decal, Circuit Breaker
16		4	1/4-20 x 1/2 Screw	69	56387316	1	Circuit Breaker
17		1	#10-24 x 3/4 Screw	70	56391010	1	Circuit Breaker TSB 607
18		4	#6-32 x 1 Screw	71		1	#10-24 x 1-1/4 Screw
19	56393530	1	Lever	72	56328790	1	Spring
20	56375334	1	Bushing	73		1	#10-24 Nut
21	56388019	1	Pad Up Switch	74	56393525	1	Retainer (before SN 531698)
22	56376015	2	Nut Plate (3 on 56393600)	75	56393579	2	Grip
23	56388184	1	Pedal TSB 609	76	56393580	2	Plug
24	56321427	2	Retaining Ring	77	56393529	1	Tube (before SN 531698)
28	56009087	2	Nut, Hex Jam1/4-20		56393654	1	Tube (after SN 531698)
29	56386314	1	Leveler	78		2	#6-32 x 3/8 Screw
32	56365002	1	Pad	79	56002591	1	#8-32 x 7/8 Screw
36		1	5/16-18 x 3/8 Set Screw				(after SN 531697)
37	56367354	1	Collar		56002518	1	#10-24 x 3/8 HP-5 Screw
38	56372129	2	Spring				(before SN 531968)
39	56393522	1	Rod	80	56009024	2	Wsh, Bowed .375 x .84 x .06
40	56393540	1	Panel	81	56001954	2	Wsh, Flt SAE #10
	56393723	1	Panel (after SN 531697)	82	56200115	1	Wsh, Flt
41	56016068	1	Decal, Wiring (UHSB20)	83	56234079	1	Screw
	56015115	1	Decal, Wiring (UHSBD20)	*	56001905	2	Wsh, Int Shprf 5/16
42	56015119	1	Decal, Caution	**	56393214	1	Low Voltage Lockout Kit TSBUS2005-892
43	56393533	1	Handle				
44	56486116	1	Grommet				
45	56469858	1	Insulated Stand-Off				
46	56150274	1	Stud				
47		1	1/4 Washer				
48		1	1/4-20 Nut				
49		4	#10-24 Nut (6 on 56393600)				

* = Not Shown

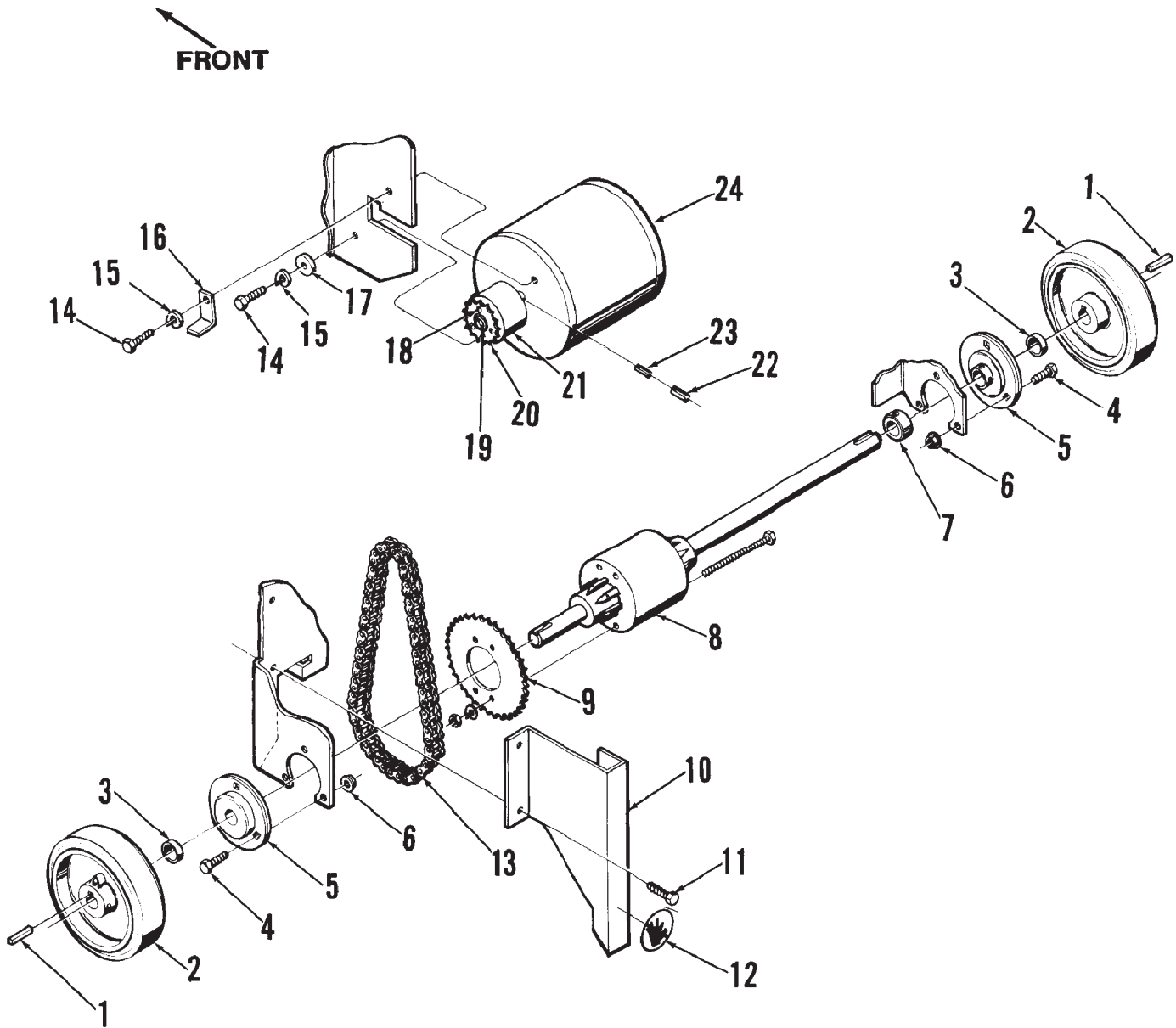
** = Optional (Not Included)



Item	Ref. No.	Qty	Description
	56393502	1	Drive Unit Assembly (#1-17)
1		4	1/4-20 x 3/8 Screw
2	56393576	1	Cover
3	56389422	1	Motor TSB 672
*	56389371	1	Carbon Brush Set
*	56389395	1	Brush Spring Set
4	56352829	4	Hose Clamp
5	56387392	2	Hose
6	56393542	1	Frame
7		4	5/16-18 x 1 Bolt
8	56393510	1	Motor Mount
9		2	1/4 Flat Washer
10		4	1/4-20 x 1/2 Screw
11	56391840	4	Bushing
12		8	5/16 Flat Washer
13		8	5/16-18 Whiz Nut
14		4	3/8 Shakeproof Washer
15		4	3/8-16 x 1/2 Bolt
16	56244941	2	Bushing
17	56393551	1	Linkage
18	56391185	2	Bag (package of 6)
19	56393504	1	Shroud
20	56393565	1	Skirt
21	56200754	2'	Gasket (61 cm)
22	56393566	1	Dust Shroud Assembly (#19-21)
25	56393650	1	Pad Holder TSB 525
28	56393567	1	Retainer
29		4	#10-24 x 3/8 Screw
30		1	Pad (not included)
31	56180200	1	Washer
32		1	5/16 Lock Washer
33	56367192	1	Washer
34		1	5/16-24 x 3/4 Bolt
35		1	1/2-13 x 1 1/4 Bolt
36	56367214	2	Washer
37	56365030	1	Bushing
38		1	1/2-13 Nut
39	56393548	1	Axle (56393500 only)
40	56362883	2	Washer (56393500 only)
41	56391110	2	Wheel (56393500 only)
42	56152781	2	Washer (56393500 only)
43		2	5/16 Shakeproof Washer (56393500 only)
44		2	5/16-18 x 5/8 Bolt (56393500 only)
45		2	5/16-18 x 3/4 Bolt
46		2	1/4 Shakeproof Washer
47	56469858	2	Insulated Stand-Off
48	56150274	2	Stud
49		4	1/4-20 x 1/4 Screw
50	56151114	4	Washer

* = Not Shown

Wheel Drive Conversion Kit (part no. 56393234) available for Model 56393500 **TSB 546**



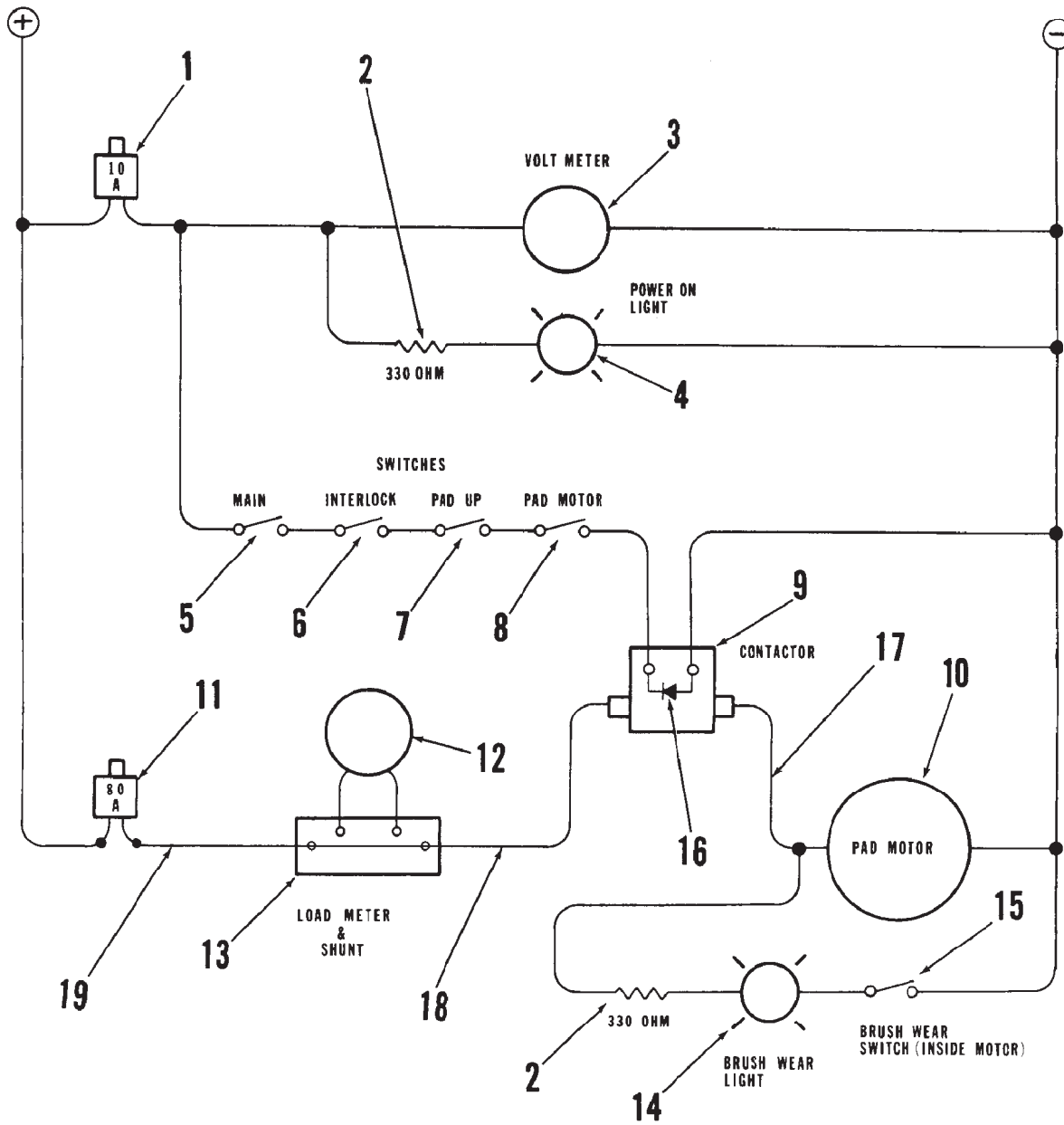
91-1

DRIVE MOTOR (UHSBD 20)

00-9

Whirlamatic™ UHSB 20 / UHSBD 20**9**

Item	Ref. No.	Qty	Description
1	56443719	2	Key
2	56393602	2	Wheel
3	56393618	2	Spacer
4		6	5/16-18 x 3/4 Bolt
5	56393601	2	Bearing
6		6	5/16 Nut
7	56367095	1	Collar
8	56393603	1	Differential
9	56393609	1	Sprocket
10	56393616	1	Guard
11		2	1/4-20 x 1/2 Bolt
12	56030080	1	Decal, Hands Clear
13	56393606	1	Roller Chain
14		2	5/16-18 x 7/8 Bolt
15		2	5/16 Lock Washer
16	56393608	1	Tab
17	56152781	1	5/16 Washer
	56393613	1	Drive Motor Assembly (#18-24)
18		3	#10-32 x 3/8 Screw
19	56462265	1	Retaining Ring
20	56393604	1	Sprocket
21	56393614	1	Clutch
22	56002754	1	1/8 x 7/8 Spring Pin
23	56002756	1	1/16 x 7/8 Spring Pin
24	56393607	1	Drive Motor



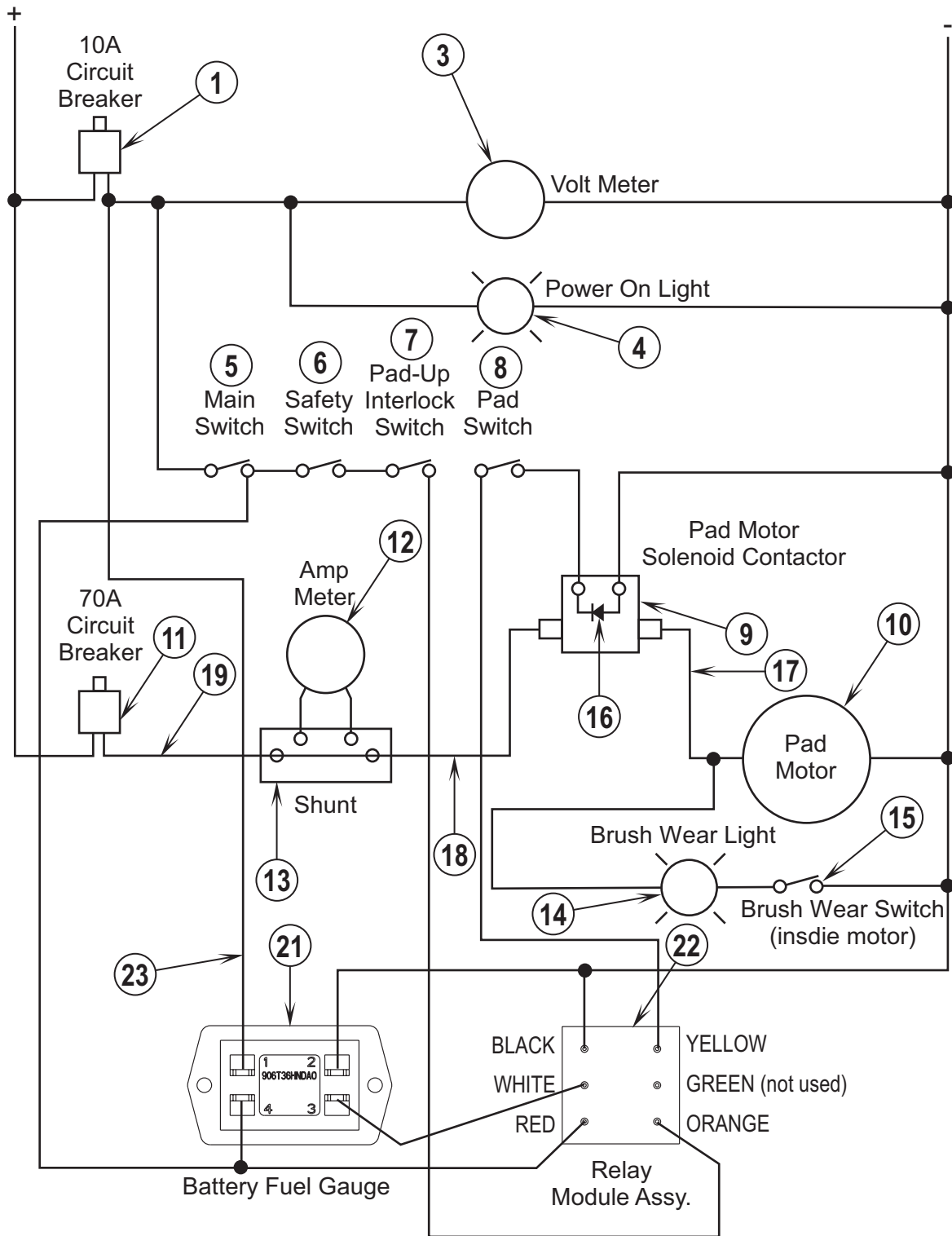
91-1

WIRING DIAGRAM (UHSB 20)

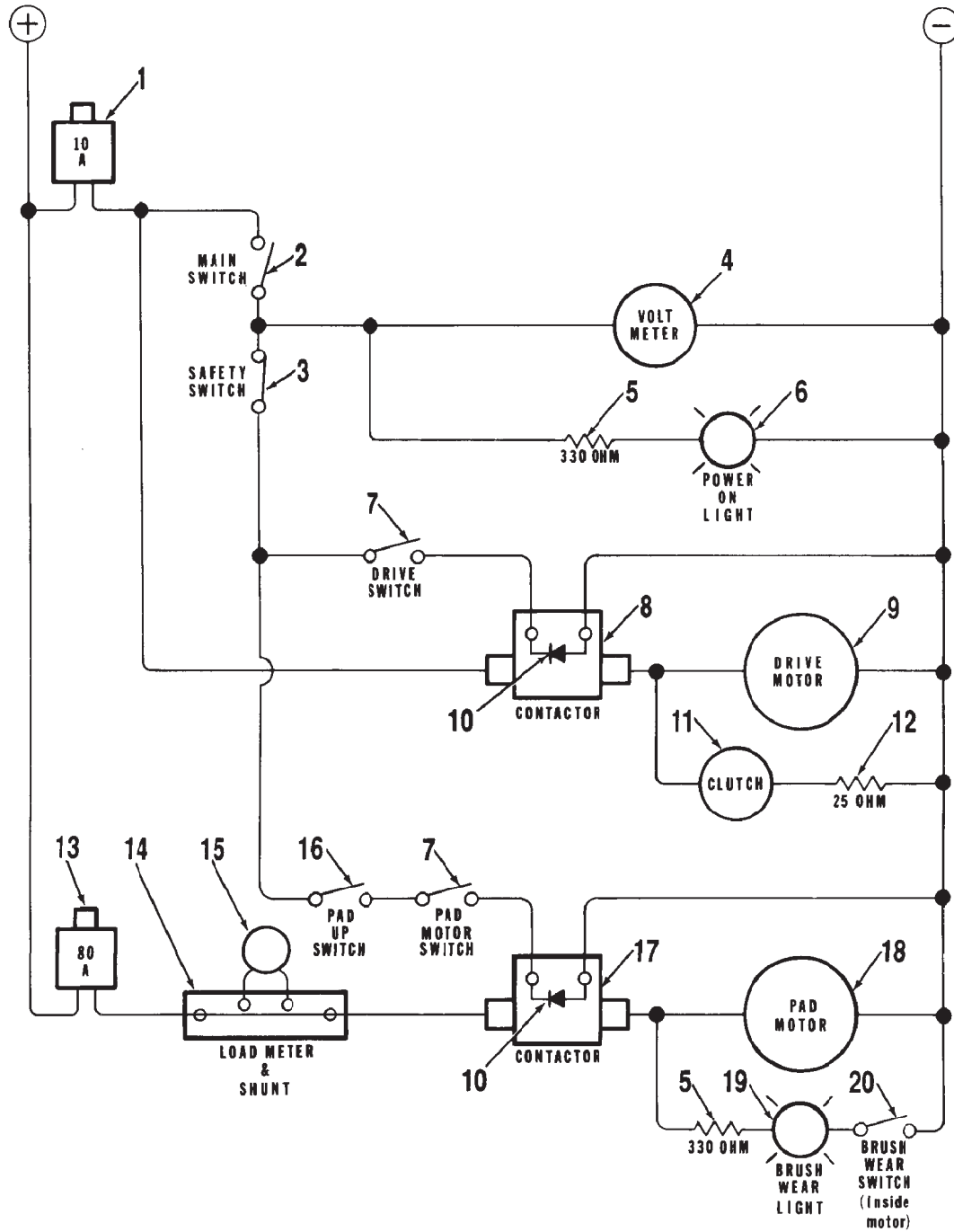
05-3

Whirlamatic™ UHSB 20 / UHSBD 20**11**

Item	Ref. No.	Qty	Description
1	56387316	1	Circuit Breaker 10 Amp
2	56389453	2	Resistor 330 Ohm (before February 1998)
3	56448677	1	Battery Meter
4	56389434	1	Green Indicator Light (before February 1998)
	56392858	1	Green Indicator Light (after January 1998)
5	56207071	1	Main Switch TSB575
6	56393569	1	Mercury Switch
7	56388019	1	Pad Up Switch
8	56385615	1	Pad Motor Switch
9	56395450	1	Contactor
10	56389422	1	Pad Motor
11	56391010	1	Circuit Breaker TSB607
12	56389527	1	Load Meter
13	56386793	1	Shunt
14	56389433	1	Red Indicator Light (before February 1998)
	56393863	1	Red Indicator Light (after January 1998)
15		1	Brush Wear Switch
16	56389265	1	Rectifier
17	56377704	1	Cable
18	56393572	1	Cable
19	56393571	1	Cable
20	56393776	1	Wiring Harness (before February 1998)
	56393862	1	Wiring Harness (after January 1998)



Item	Ref. No.	Qty	Description
1	56387316	1	Circuit Breaker 10 Amp
3	56448677	1	Battery Meter
4	56392858	1	Green Indicator
5	56301636	1	Main Switch
6	56393569	1	Mercury Switch
7	56388019	1	Pad Up Switch
8	56385615	1	Pad Motor Switch
9	56395450	1	Contactor
10	56389422	1	Pad Motor
11	56393722	1	Circuit Breaker 70 Amp
12	56389527	1	Load Meter
13	56386793	1	Shunt
14	56393863	1	Red Indicator Light
15	N/A	1	Brush Wear Switch
16	56389265	1	Rectifier
17	56377704	1	Cable
18	56393572	1	Cable
19	56393571	1	Cable
20	56393862	1	Wiring Harness (not shown)
21	56416395	1	Fuel Gauge, Battery TSBUS2005-892
22	56393216	1	Relay Module Assy TSBUS2005-892
23	56393221	1	Wire Asm., 18AWG TSBUS2005-892



Item	Ref. No.	Qty	Description
1	56387316	1	Circuit Breaker 10 Amp
2	56207071	1	Main Switch
3	56393569	1	Mercury Switch
4	56448677	1	Battery Meter
5	56389453	2	Resistor 330 Ohm (before February 1998)
6	56389434	1	Green Indicator Light (before February 1998)
	56392858	1	Green Indicator Light (after January 1998)
7	56385615	2	Snap Switch
8	56395452	1	Contactora
9	56393613	1	Drive Motor
10	56389265	2	Rectifier
11	56393614	1	Clutch
12	56393612	1	25 Ohm Resistor
13	56391010	1	Circuit Breaker 80 Amp TSB 607
14	56386793	1	Shunt
15	56391132	1	Load Meter
16	56388019	1	Snap Switch
17	56395450	1	Contactora
18	56389422	1	Pad Motor
19	56389433	1	Red Indicator Light (before February 1998)
	56393863	1	Red Indicator Light (after January 1998)
20		1	Brush Wear Switch
*	56393776	1	Wiring Harness (before February 1998)
	56393862	1	Wiring Harness (after January 1998)

* = Not Shown



**Nilfisk
Advance**

setting standards

Nilfisk-Advance, Inc.
14600 21st Avenue North
Plymouth, MN 55447-3408
www.nilfisk-advance.com
Phone: 800-989-2235
Fax: 800-989-6566
©2005 Printed in the U.S.A.