



Electronic Service Manuals

This electronic document is provided as a service to our customers. We do not create the contents of the information contained in this document. Should you have detailed questions pertaining to the information contained in this document, you may contact Michco, or the manufacturer which provided the original information in this electronic deliverable. Michco's only part in this electronic deliverable was the electronic assembly process.

You may contact Michco through the following methods:
Phone (517) 484-9312 or (800) 331-3339 MI, OH, IN only
2011 N. High St. -- Lansing, Michigan -- 48906
Fax: (517) 484-9836
Email: CustServ@Michco.com
Web site: www.Michco.Com
Parts Web site: www.FloorMachineParts.Com

Order Parts on Line at:
www.FloorMachineParts.Com

Directly to Parts & Service:
By Email: **Shop@Michco.com**
By Fax: (517) 702-2041
By Voice: Use numbers above.

Serving the Cleaning Industry Since 1922

Notice: All copyrighted material remains property of original owners, all trademarks are property of respective owners. Manuals are subject to Manufacturer's reproduction limitations. Originals or reproductions were provided by manufacturers through a request. We make no warranty as to the correctness of information provided in this document and you assume all risk.

WHIRLAMATIC MODEL 2000B-D

THIS PARTS LIST IS FOR MACHINES
AFTER SERIAL NUMBER 284418.

PARTS LIST



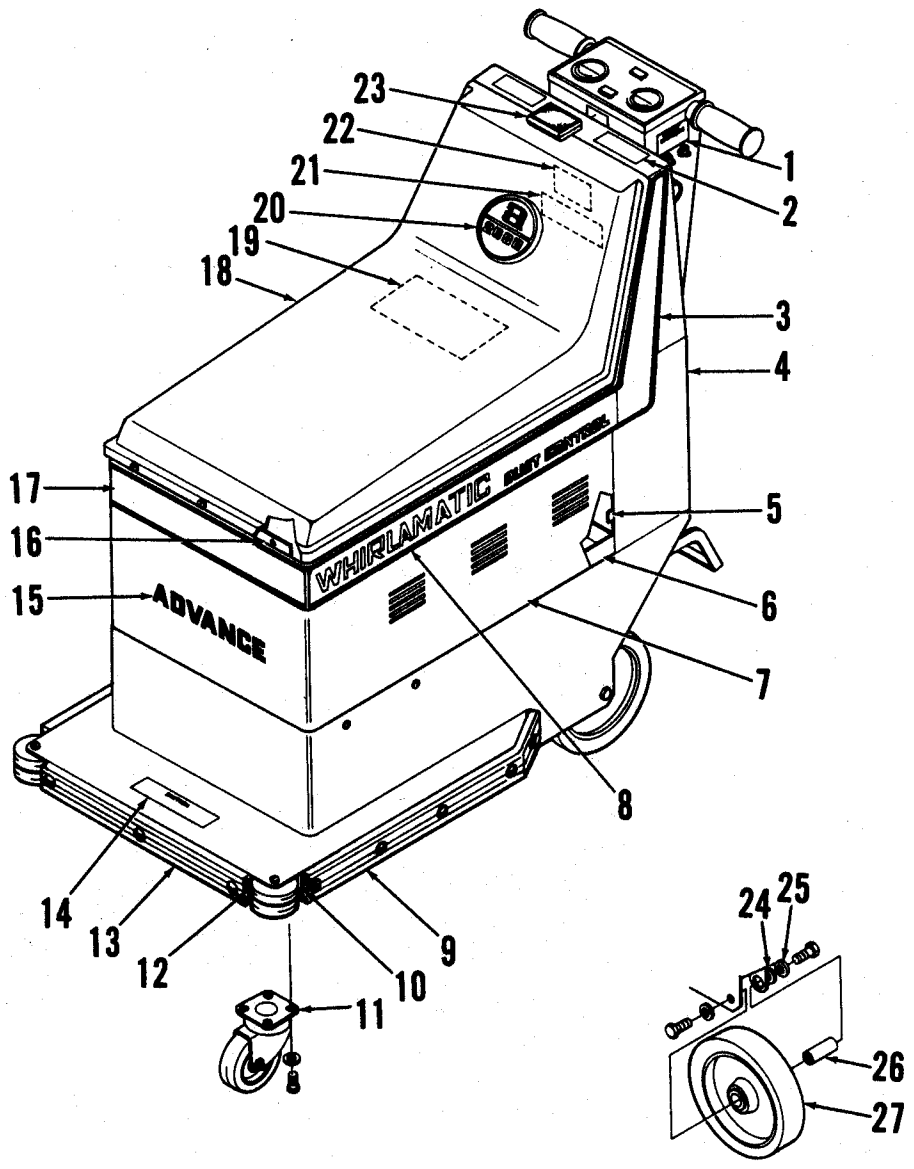
ADVANCE
MACHINE COMPANY

INTERNATIONAL HEADQUARTERS, Plymouth, MN 55447-3408
EUROPE, Llantrisant, Pontyclun, Mid-Glamorgan CF7 8YZ Wales, United Kingdom
CANADA, 1295 Crestlawn Drive, Mississauga, Ontario L4W 1A9



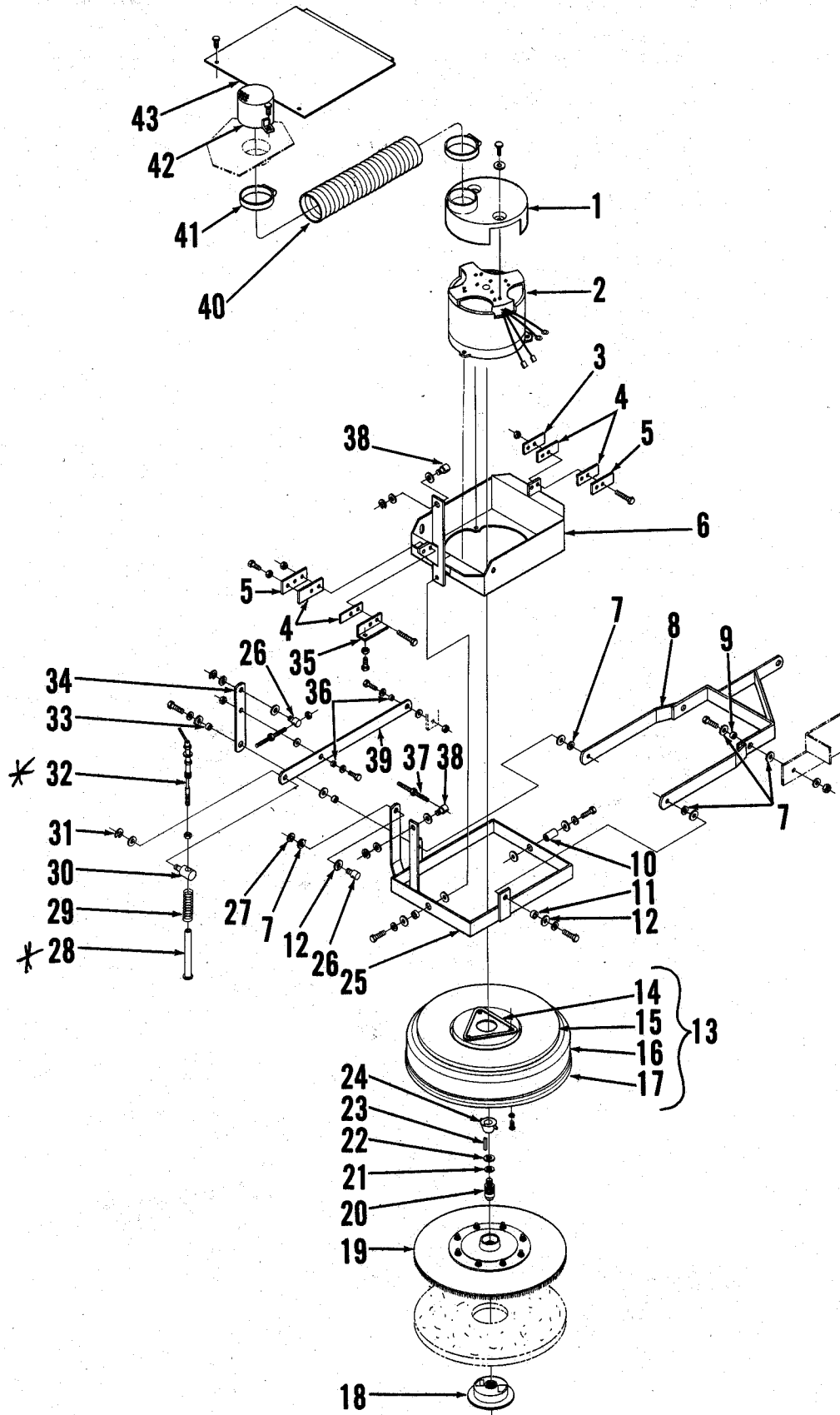
Index for Form Number 042175

Description	Location	page
Control Handle	C1	5
Pad Drive	B12	3
Wheels, Shroud & Chassis	B10	1
Wiring Diagram & Accessories	C3	7



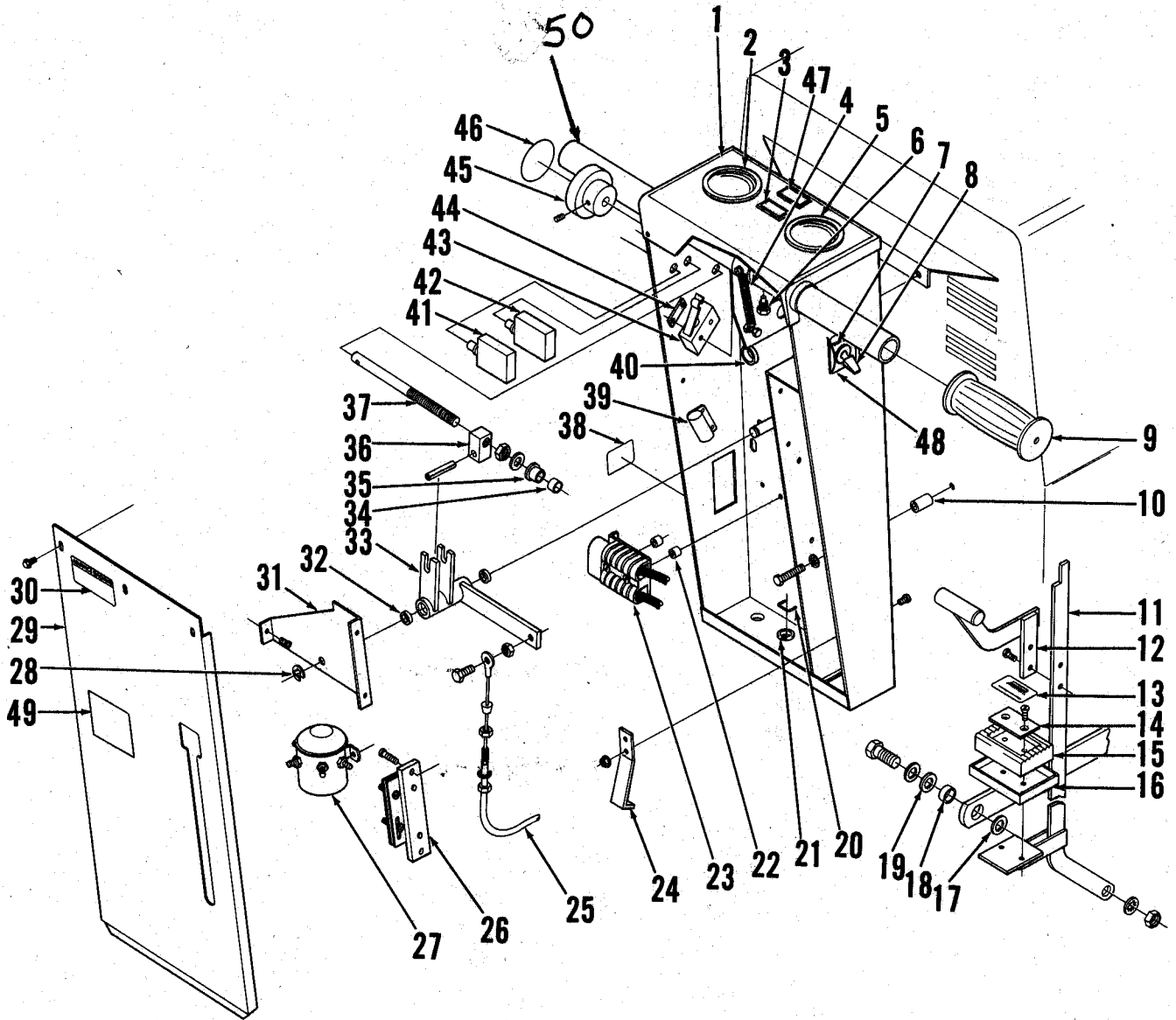
HOUSING ASSEMBLY

I	PART #	QTY	DESCRIPTION
1	025174	1	DECAL, CIRCUIT BREAKERS
2	025296	1	DECAL, SPANISH
3	014110	1	DECAL, LEFT STRIPE
	014109	1	DECAL, RIGHT STRIPE
4	389410	1	MAIN CHASSIS
5	200754	2	GASKET
6	388140	1	BATTERY TRAY
7	389457	1	BATTERY HOUSING
8	014118	1	DECAL, LEFT SIDE
	014115	1	DECAL, RIGHT SIDE
9	391101	2	BUMPER
10	391102	2	BUMPER STRAP
11	206725	2	CASTER
12	391104	1	BUMPER STRAP
13	391103	1	FRONT BUMPER
14	016106	1	DECAL, CAUTION
15	014046	1	DECAL, ADVANCE
16	386760	1	BRACKET
17	014041	1	DECAL, STRIPE
18	389459	1	SHROUD
19	014165	1	DECAL, WIRING
20	014120	1	EMBLEM
21	025363	1	DECAL, CAUTION
22	025364	1	DECAL, CABLE ROUTE
23	389454	1	LATCH
24	155373	2	WASHER
25	151114	4	WASHER
26	382035	2	AXLE
27	377945	2	WHEEL
28	371009	4	WASHER
29	386823	2	BUSHING
30	363855	2	BUMPER WHEEL



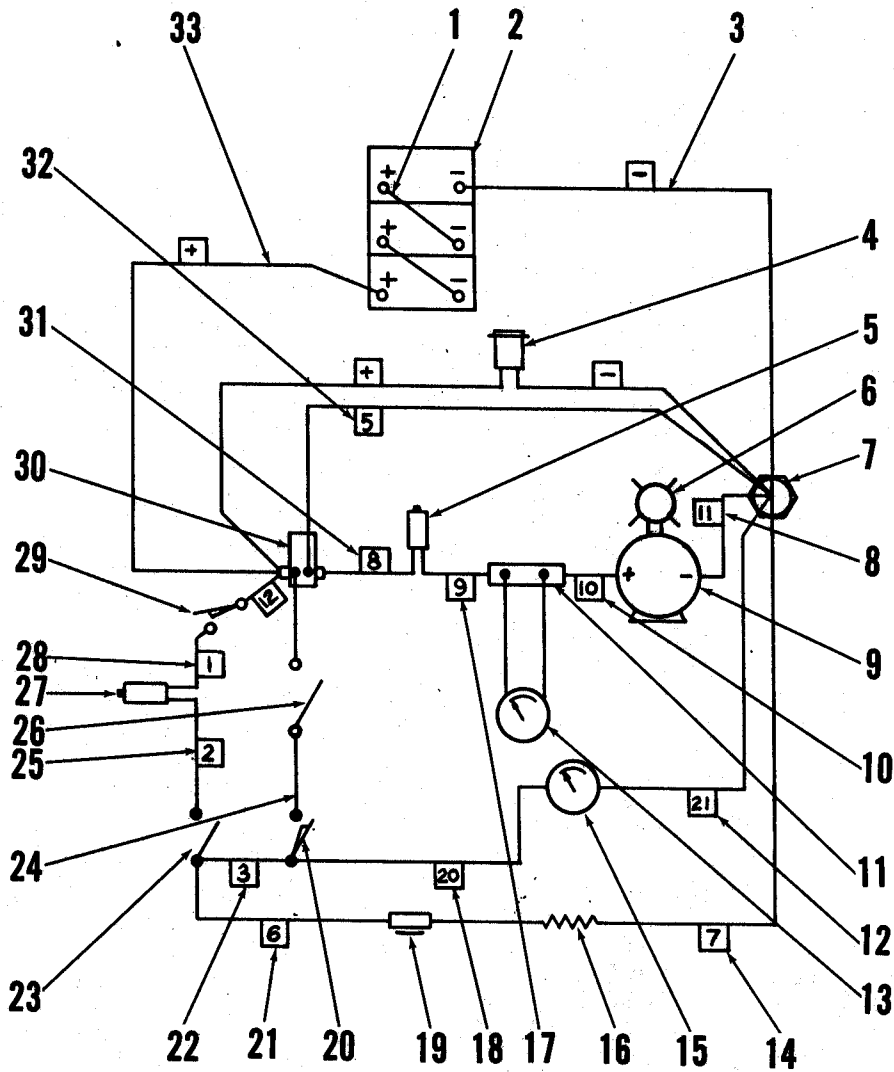
PAD DRIVE ASSEMBLY

I	PART #	QTY	DESCRIPTION
1	389451	1	COVER
2	389420	1	MOTOR
	389371	1	CARBON BRUSHES (set of 4)
	389395	1	CARBON BRUSH SPRINGS (set of 4)
3	386160	1	FLAT
4	386105	4	WEAR STRIP
5	386162	2	FLAT
6	388263	1	MOTOR BASE
7	367214	13	WASHER
8	388310	1	ARM
9	360627	2	BUSHING
10	367206	1	BUSHING
11	365030	3	BUSHING
12	155373	8	WASHER
13	389429	1	DUST CONTROL ASSY
14	200754	1	GASKET
15	389437	1	FOAM
16	389428	1	SHROUD DUST
17	389427	1	EDGING ASSY
18	388111	1	CUP WELDMENT
19	389440	1	PAD HOLDER ASSY
20	388455	1	STUD
21	180200	1	WASHER
22	367192	1	WASHER
23	158135	1	KEY
24	391093	1	DRIVER
25	388275	1	BRACKET
26	388302	2	LEFT ADJUSTING NUT
27	468834	4	RETAINING RING
28	388290	1	CENTERING PIN TSB 498, G-5
29	372129	1	SPRING
30	386663	1	PIN
31	321427	1	RETAINING RING
32	454150	1	CABLE ASSY TSB 498, G-5
33	382086	2	BUSHING
34	388252	1	LEVER
35	388342	1	STOP
36	320595	2	BUSHING
37	388300	2	ADJUSTING STUD
38	388304	2	RIGHT ADJUSTING NUT
39	388296	1	LEVER
40	387392	1	HOSE
41	352829	2	HOSE CLAMP
42	388192	1	SHIELD
43	389456	1	COVER



CONTROL HANDLE ASSEMBLY

I	PART #	QTY	DESCRIPTION
1	014063	1	DECAL, CONTROL PANEL
	389431	1	CONTROL HANDLE
2	448677	1	BATTERY CONDITION METER
3	389434	1	GREEN INDICATOR LIGHT
4	328790	1	SPRING
5	391132	1	LOAD METER
6	234079	1	SCREW
7	014016	1	DECAL, ON-OFF
8	207071	1	MAIN SWITCH
9	388545	2	HANDLE GRIP
10	244859	2	BUSHING
11	388184	1	FOOT PEDAL
12	388180	1	HANDLE
13	016281	1	DECAL, BRUSH
14	365081	1	PLATE
15	365082	1	RUBBER PLATE
16	365083	1	PEDAL CUP
17	367214	2	WASHER
18	382086	1	BUSHING
19	398056	2	SPRING WASHER
20	162981	2	STRAIN RELIEF
21	163007	2	GROMMET
22	475411	2	BUSHING
23	389268	1	CHARGER PLUG ASSY
24	386764	1	SPRING BRACKET
25	454150	1	CABLE ASSY
26	386793	1	SHUNT
27	395450	1	SOLENOID
28	321427	1	RETAINING RING
29	389458	1	BACK PANEL
30	015402	1	NAMEPLATE
31	389455	1	PLATE
32	368970	2	BEARING
33	388168	1	PIVOT BRACKET
34	388326	1	BUSHING
35	185264	1	FLANGE BUSHING
36	388210	1	BLOCK
37	388212	1	ADJUSTMENT KNOB
38	016324	1	DECAL, CHARGER PLUG
39	388163	1	SWITCH
40	157376	2	GROMMET
41	454538	1	CIRCUIT BREAKER
42	454429	1	CIRCUITBREAKER
43	388019	1	SWITCH
44	385747	1	NUT PLATE
45	475480	1	ADJUSTMENT KNOB
46	025259	1	DECAL, PAD PRESSURE
47	389433	1	RED INDICATOR LIGHT
48	200352	1	SWITCH GUARD
49	014018	1	DECAL, GRADE NOTICE
50	288164	1	HANDLE TUBE



WIRING DIAGRAM

I	PART #	QTY	DESCRIPTION
	014165	1	DECAL, WIRING
1	363936	2	BATTERY CABLE
2	388012	3	BATTERY, 12V-140 AMP HOUR *
	388013	3	BATTERY, 12V-180 AMP HOUR *
3	386973	1	CABLE ASSY
4	386963	1	CHARGER PLUG
5	454429	1	CIRCUIT BREAKER
6	389433	1	RED LIGHT INDICATOR
7	469858	1	INSULATED STAND-OFF
8	388406	1	CABLE ASSY
9	389420	1	MOTOR, 36V
10	388408	1	CABLE ASSY
11	386793	1	SHUNT
12	388418	1	WIRE ASSY
13	391132	1	AMMETER
14	386945	1	WIRE ASSY
15	448677	1	BATTERY CONDITION METER
16	395404	1	RESISTOR
17	388412	1	CABLE ASSY
18	388416	1	WIRE ASSY
19	389434	1	GREEN INDICATOR LIGHT
20	388019	1	SWITCH
21	386957	1	WIRE ASSY
22	386955	1	WIRE ASSY
23	207071	1	SWITCH
24	388242	1	WIRE ASSY
25	386961	1	WIRE ASSY
26	388163	1	SWITCH
27	454538	1	CIRCUIT BREAKER
28	388414	1	WIRE ASSY
29	376435	1	INTERLOCK SWITCH
30	395450	1	SOLENOID
31	386967	1	CABLE ASSY
32	386951	1	WIRE ASSY
33	386975	1	CABLE ASSY

* BATTERIES NOT INCLUDED

OPTIONAL PARTS AND ACCESSORIES

372955	1	SEMI-AUTOMATIC BATTERY CHARGER
372974	1	AUTOMATIC BATTERY CHARGER
505550	1	SOFT FINISH (TAMPICO) BURNISHING BRUSH
505551	1	HARD FINISH (UNION MIX) BURNISHING BRUSH