



Electronic Service Manuals

This electronic document is provided as a service to our customers. We do not create the contents of the information contained in this document. Should you have detailed questions pertaining to the information contained in this document, you may contact Michco, or the manufacturer which provided the original information in this electronic deliverable. Michco's only part in this electronic deliverable was the electronic assembly process.

You may contact Michco through the following methods:
Phone (517) 484-9312 or (800) 331-3339 MI, OH, IN only
2011 N. High St. -- Lansing, Michigan -- 48906
Fax: (517) 484-9836
Email: CustServ@Michco.com
Web site: www.Michco.Com
Parts Web site: www.FloorMachineParts.Com

Order Parts on Line at:
www.FloorMachineParts.Com

Directly to Parts & Service:
By Email: **Shop@Michco.com**
By Fax: (517) 702-2041
By Voice: Use numbers above.

Serving the Cleaning Industry Since 1922

Notice: All copyrighted material remains property of original owners, all trademarks are property of respective owners. Manuals are subject to Manufacturer's reproduction limitations. Originals or reproductions were provided by manufacturers through a request. We make no warranty as to the correctness of information provided in this document and you assume all risk.

MOBILMATIC 17" & 20"

MODELS 387 600 115V-17

387 605 230V-17-5

387 700 115V-20

387 705 230V-20-5

FORM NO. 042 094

SEPTEMBER 1983

PARTS LIST



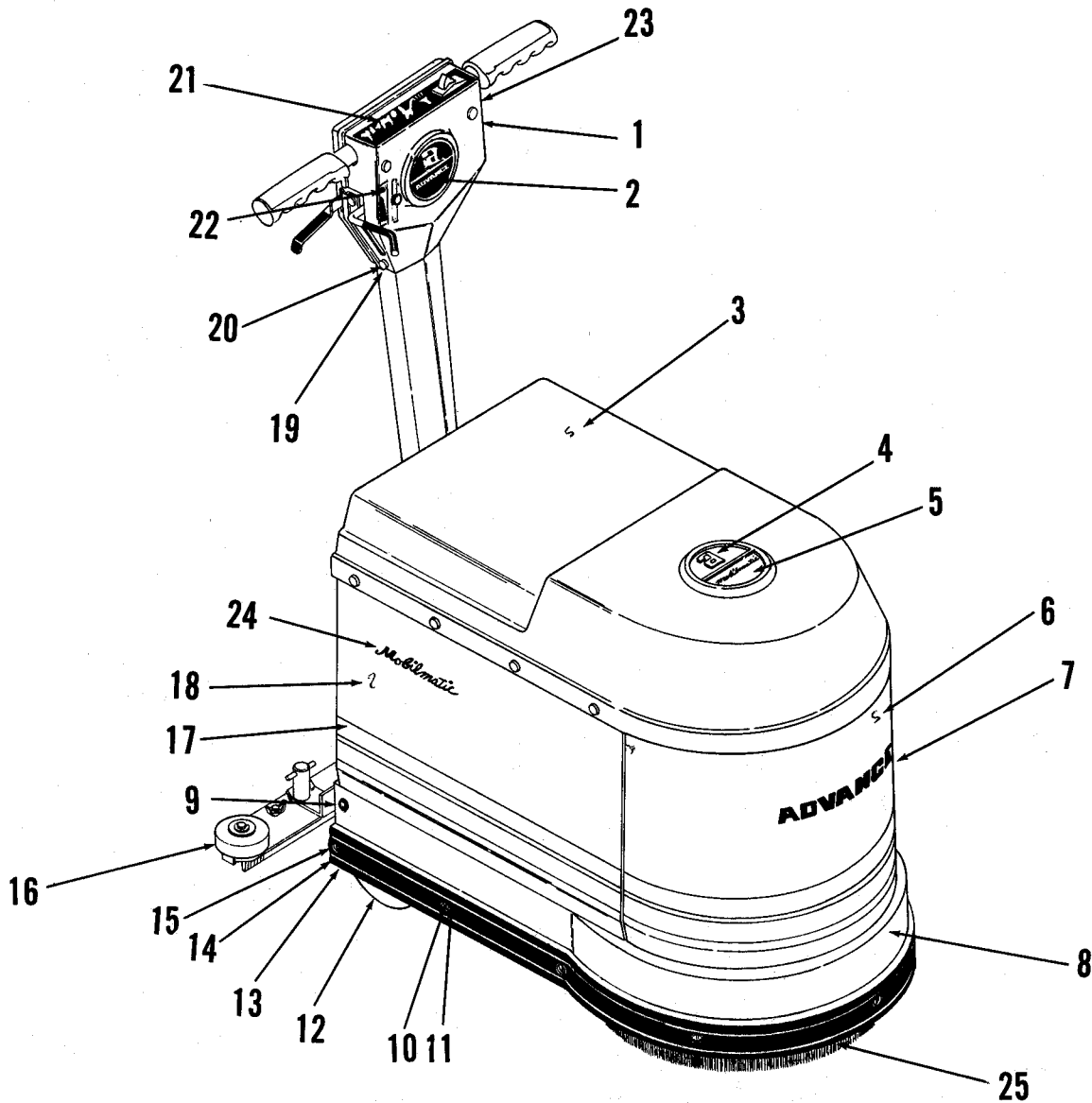
ADVANCE
MACHINE COMPANY

INTERNATIONAL HEADQUARTERS, Spring Park, Minnesota 55384 USA
EUROPE, 4 Rue Jean Engling, L-1466 Luxembourg
CANADA, 1295 Crestlawn Drive, Mississauga, Ontario L4W 1A9



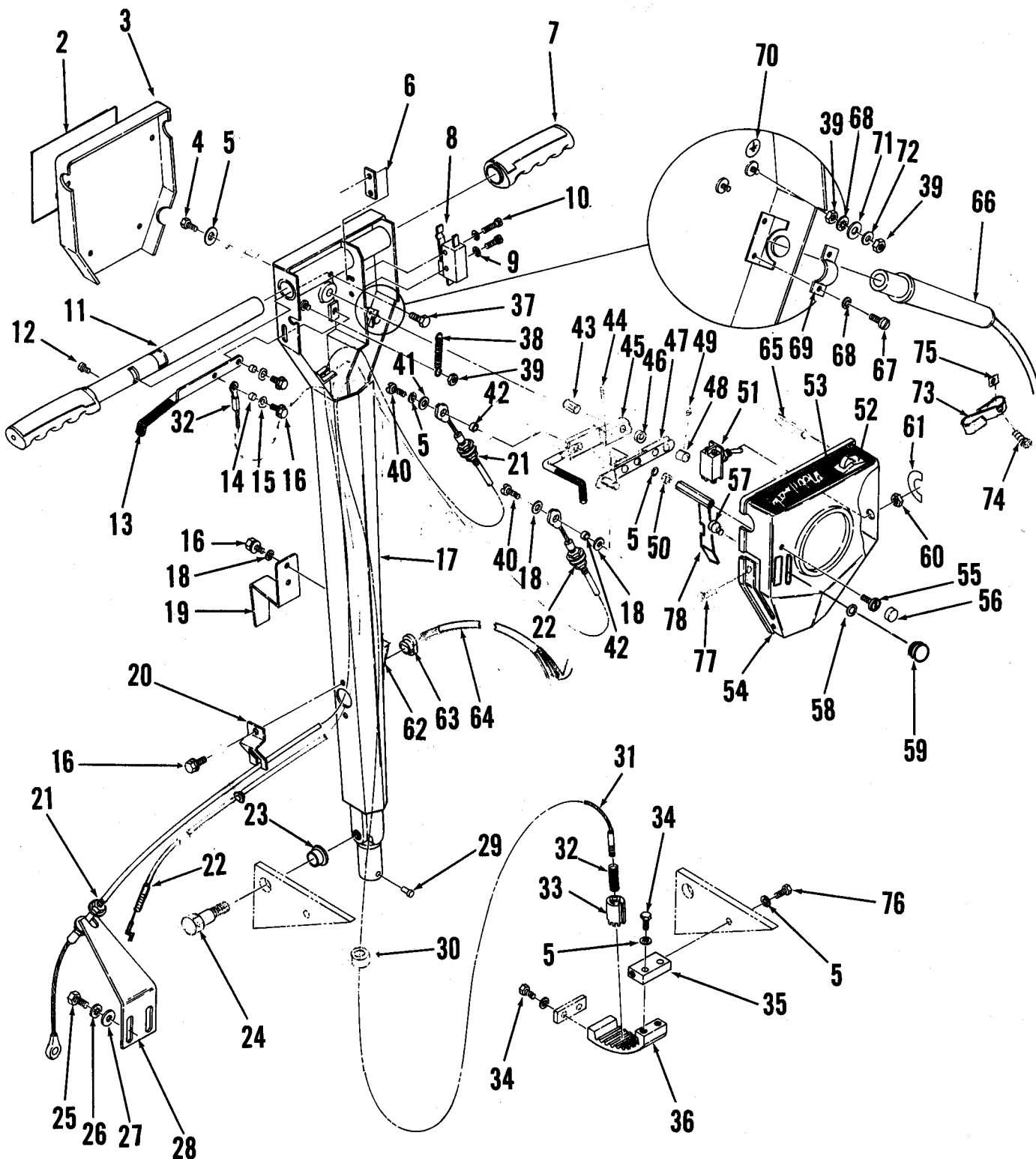
INDEX FOR FORM NUMBER 042094

<u>Description</u>	<u>Location</u>	<u>Page</u>
Brush Drive	C12	8
Cover	C8	4
Handle	C6	2
Outer Body	C5	1
Solution Valve	D2	12
Squeegee	C9	5
Vacuum Motor & Tanks	C10	6
Vacuum Motor (internal parts)	D1	11
Wheels & Adjustment Linkage	C14	10
Wiring Diagram	D3	13



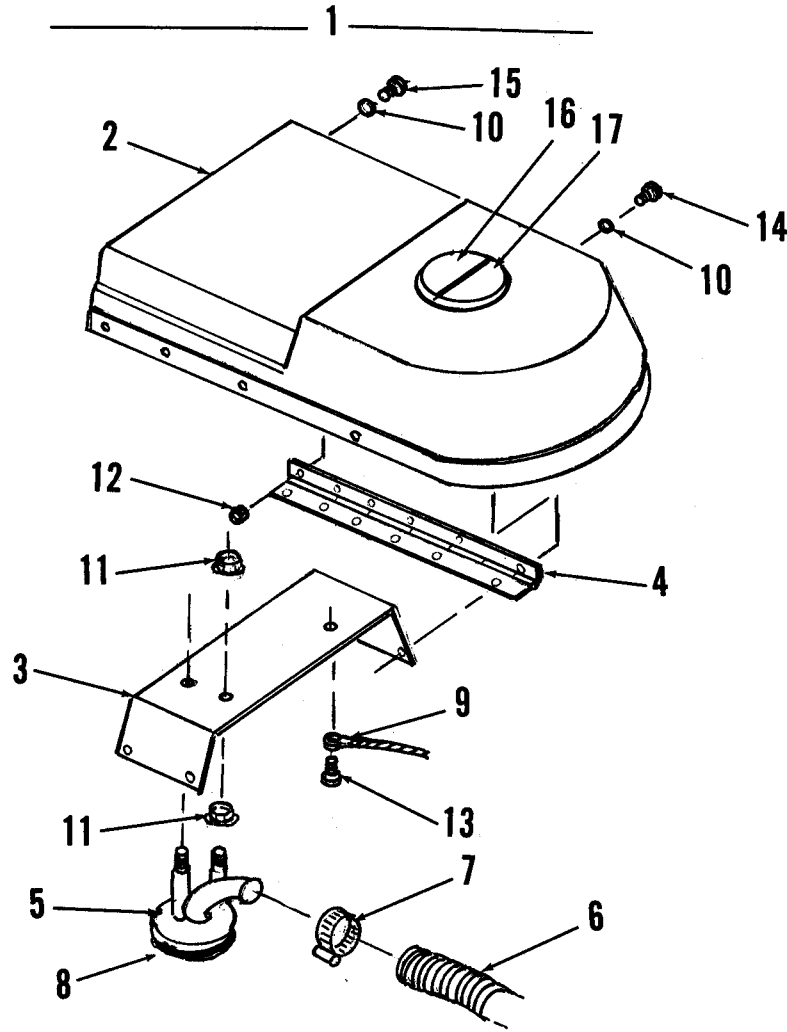
ITEM	PART NO.	QTY	DESCRIPTION	ITEM	PART NO.	QTY	DESCRIPTION
1	387 610	1	HANDLE ASSEMBLY, 115V 17" & 20"	25	387 260	1	PAD HOLDER, 17" (Metal)
	387 611	1	HANDLE ASSEMBLY, 230V 17" & 20"		387 540	1	PAD HOLDER, 20" (Metal)
2	017 019	1	DECAL, Advance		387 364	1	PAD HOLDER, 17" (Wood)
3	387 772	1	COVER ASSEMBLY		387 312	1	BRUSH, Bassine 17"
4	016 398	1	EMBLEM, Advance		387 534	1	BRUSH, Bassine 20"
5	018 312	1	DECAL, Insert 'Mobilmatic'		387 314	1	BRUSH, Nylon 17"
6	387 788	1	TANK ASSEMBLY, Solution		387 536	1	BRUSH, Nylon 20"
7	016 519	1	DECAL, Advance		387 262	1	BRUSH, Union Mix 17"
8	387 022	1	BASE WELDMENT, 17" 115V, 230V		387 538	1	BRUSH, Union Mix 20"
	387 508	1	BASE WELDMENT, 20" 115V				
	387 509	1	BASE WELDMENT, 20" 230V				
9	157 244	2	PLUG BUTTON, .656				
10		4	SCREW, Ph. Pan Hd. #10-24 x 5/8 HP-5				
11		10	WHIZ NUT, #10-24				
12	397 228	2	WHEEL, 5.00				
13	387 080	1	BUMPER, 17"				
	387 514	1	BUMPER, 20"				
14	387 082	1	STRAP, Bumper 17"				
	387 516	1	STRAP, Bumper 20"				
15		7	SCREW, Ph. Pan Hd. #10-24 x 3/8 HP-5				
16	387 798	1	SQUEEGEE ASSEMBLY, 17"				
	387 804	1	SQUEEGEE ASSEMBLY, 20"				
17	023 216	3	DECAL, Stripe				
18	387 710	1	TANK ASSEMBLY, Recovery				
19		9	SCREW, Ph. Pan Hd. #8-32 x 1/2 HP-5				
20	387 190	9	SNAP-CAP				
21	018 326	1	DECAL				
22	016 334	1	DECAL, Solution Valve				
23	018 310	1	DECAL, On-Off				
24	018 300	2	DECAL, Mobilmatic				

1

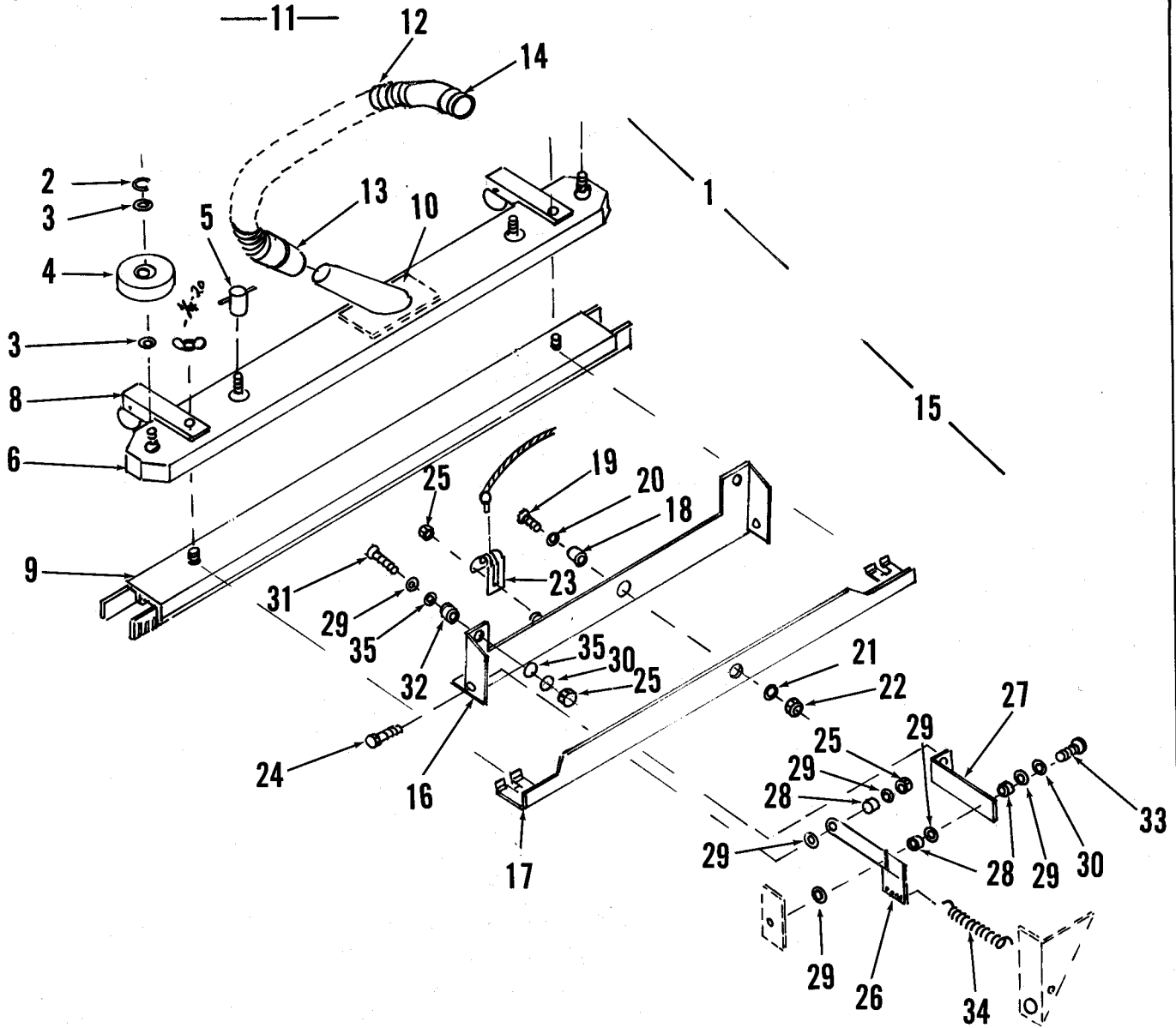


HANDLE ASSEMBLY

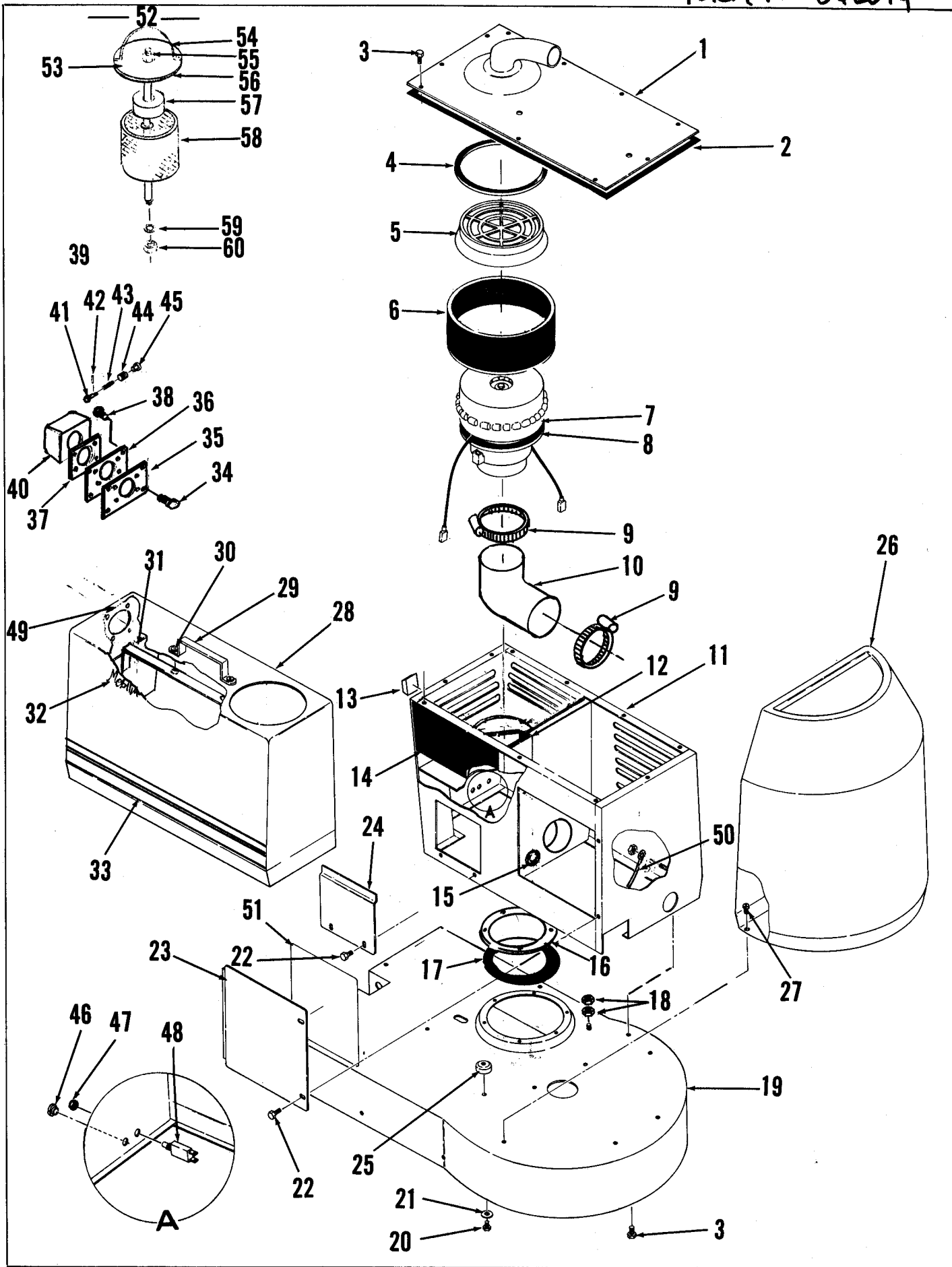
ITEM	PART NO.	QTY	DESCRIPTION
1	387 610	1	HANDLE ASSEMBLY, 115V
	387 611	1	HANDLE ASSEMBLY, 230V
2	018 314	1	DECAL, Warning
3	387 196	1	SHROUD, Bottom
4		1	SCREW, Hex Hd. 1/4-20 x 1/2
5		13	WASHER, Shakeproof 1/4
6	385 747	1	NUTPLATE
7	514 085	2	GRIPS, Handle
8	388 019	1	SWITCH, Snap SPST N.C.
9		2	WASHER, Shakeproof #6
10		2	SCREW, Pan Hd. #6-32 x 3/4
11	387 236	1	TUBE, Handle
12		1	SCREW, Pan Hd. #8-32 x 7/8 HP-5
13	387 052	1	LEVER, Handle Positioner
14	151 092	2	BUSHING, .18 x .25 x .150
15	150 150	2	WASHER, Spring
16		8	SCREW, Hex Washer Hd. #10-24 x 3/8 HP-5
17	387 612	1	HANDLE WELDMENT
18		4	WASHER, Shakeproof #10
19	172 213	2	HOOK, Cord
20	387 658	1	BOX
21	387 378	1	CABLE ASSEMBLY, Squeegee
22	387 656	1	CABLE ASSEMBLY, Sol. Valve
23	171 095	2	BEARING, Flange
24	171 097	2	SHOULDER BOLT, 5/8 x .718
25		2	SCREW, Hex Hd. 5/16-28 x 5/8
26		2	WASHER, Shakeproof 5/16
27		4	WASHER, Flat 5/16
28	387 382	1	BRACKET
29		1	DRIVE SCREW
30	171 269	1	BUSHING
31	384 909	1	WIRE ROPE ASSEMBLY, 35"
32	171 123	1	SPRING, Comm 3/4 x 11/16
33	171 132	1	PLUNGER
34		6	SCREW, Hex Hd. 1/4-20 x 7/8
35	387 358	1	BAR
36	171 104	1	RATCHET
37	234 079	1	SCREW
38	445 177	1	SPRING, Ext. 1/4 x 1-3/4
39		4	NUT, Hex #8-32
40		2	SCREW, Ph. Pan Hd. 1/4-20 x 5/8
41		4	WASHER, Flat 1/4
42	306 784	2	BUSHING, .25 x .37 x .25
43	387 650	1	PIVOT
44		1	PIN, Spring 1/8 x 3/4
45	387 626	1	LEVER ASSEMBLY, Squeegee
46		1	WASHER, Flat 3/8
47	387 638	1	LEVER ASSEMBLY, So. Control
48	331 076	1	COLLAR
49		1	SCREW, Socket Set #10-24 x 3/16
50		1	NUT, Hex 1/4-20
51	207 075	1	SWITCH, Toggle DPST 115V
	301 636	1	SWITCH, Toggle DPST 230V
52	325 140	1	SWITCH, Rocker SPST
53	018 324	1	DECAL, On-Off
54	382 662	1	SHROUD ASSEMBLY, Top
55		9	SCREW, Ph. Pan Hd. #8-32 x 1/2 HP-5
56	387 190	9	SNAP CAPS
57	387 668	1	STUD
58	200 190	1	WASHER, Fibre
59	387 670	1	KNOB
60		2	FACENUT, Hex 15/32-32
61	018 310	1	DECAL, On-Off
62	387 660	1	BOX
63	382 818	1	STRAIN RELIEF
64	387 654	1	CORD ASSEMBLY, 14/4 x 44-3/4
65	387 146	1	SPACER, Hex 3/8
66	330 871	1	CORD SET, 14 x 75' 115V
	311 229	2	TERMINAL RING, 115V
	382 331	1	CORD SET, 14 x 75' 230V
67		2	SCREW, Ph. Pan Hd. #8-32 x 3/8 HP-5
68		4	WASHER, Shakeproof #8
69	300 542	1	CLAMP, Cord
70	014 119	1	DECAL, Gnd. Symbol
71	325 276	1	WASHER, /17 x .28 x .03
72	325 274	1	WASHER, Cupped
73	300 187	1	CLIP, Belt
74		1	SCREW, Pan Hd. #6-32 x 3/8
75	322 504	1	NUT, Spring #6-32
76		6	SCREW, Hex Hd. 1/4-20 x 7/8
77	387 672	1	SCREW, Nylon #8-32 x 3/8
78	387 620	1	SPACER WELDMENT



ITEM	PART NO.	QTY	DESCRIPTION
1	387 772	1	COVER ASSEMBLY ,c/o
2	387 774	1	COVER
3	387 776	1	SUPPORT, Cover
4	387 786	1	HINGE
5	387 778	1	TUBE WELDMENT
6	387 342	1	HOSE, Vac
7	329 145	1	CLAMP, Hose
8	387 784	1	GASKET
9	325 240	1	WIRE ROPE ASSEMBLY
10	449 340	6	WASHER,Finishing #10
11		4	NUT,Flanged Whiz 1/4-20
12		2	NUT,Flanged Whiz #10-24
13		1	SCREW,Hex Wash.Hd.#10-24 x 3/8
14		2	SCREW,Ph.Oval Hd. #10-24 x 1/2
15		4	SCREW,Ph.Oval Hd. #10-24 x 3/8
16	016 398	1	EMBLEM, Advance
17	018 312	1	DECAL, Insert 'Mobilmatic'

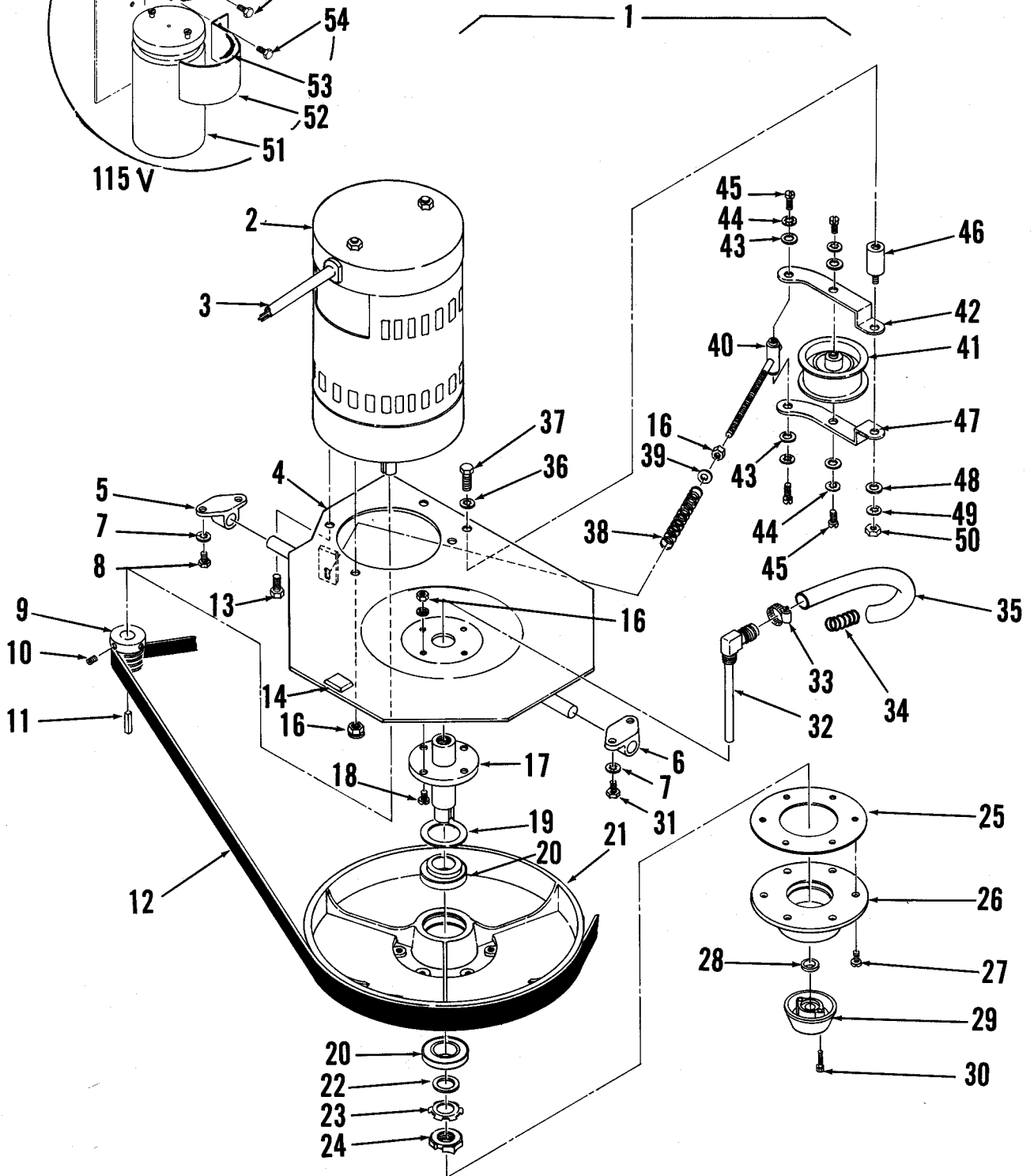
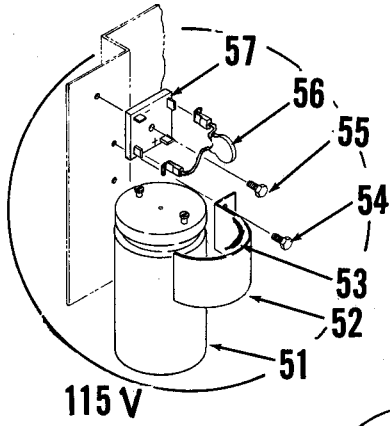


ITEM	PART NO.	QTY	DESCRIPTION	ITEM	PART NO.	QTY	DESCRIPTION
1	387 798	1	SQUEEGEE ASSEMBLY , 17" C/O	23	387 380	1	HALF-CLEVIS
2	157 066	2	SQUEEGEE ASSEMBLY , 20" C/O	24		5	SCREW,Hex Hd. 1/4-20 x 5/8
3	371 009	4	RING, Retaining	25		5	WHIZ NUT, 1/4-20
4	363 855	2	WASHER	26	381 840	2	ARM ASSEMBLY, Pivot
5	370 711	2	WHEEL, 2.50 x.812	27	381 845	2	ARM, Adjusting
6	387 800	1	WING NUT ,5/16-18	28	368 997	6	BUSHING
7	387 806	1	CHANNEL WELDMENT, 17"	29	150 142	14	WASHER
8	400 614	2	CHANNEL WELDMENT, 20"	30		3	WASHER,Shakeproof 1/4
9	387 376	2	GASKET	31		2	SCREW,Rd.Hd. 1/4-20 x 2-1/4
10	382 356	1	ROLLER ASSEMBLY	32	206 784	2	BUSHING
11	387 526	1	SQUEEGEE CARTRIDGE, 17" <i>T-3 590 G-8</i>	33		2	SCREW,Hex Hd. 1/4-20 x 1.00
12	400 613	1	SQUEEGEE CARTRIDGE, 20"	34	371 874	2	SPRING, Ext. .41 x 2.75
13	387 810	1	GASKET	35	163 880	4	WASHER, Spring 3/8
14	386 927	1	HOSE ASSEMBLY, 1.50 C/O				
15	207 306	1	HOSE, 1.50 x 13				
16	370 592	1	CUFF, Hose				
17	381 820	1	ADAPTER, Hose				
18	381 814	1	MOUNT, Sub-Assembly C/O				
19	381 816	1	MOUNT, Squeegee				
20	381 818	1	BRACKET				
21		1	BUSHING				
22		1	BOLT, Hex 5/16-18 x 3/4				
		1	WASHER,Flat 5/16				
		1	LOCKWASHER, 5/16				
		1	NUT,Hex 5/16-18				



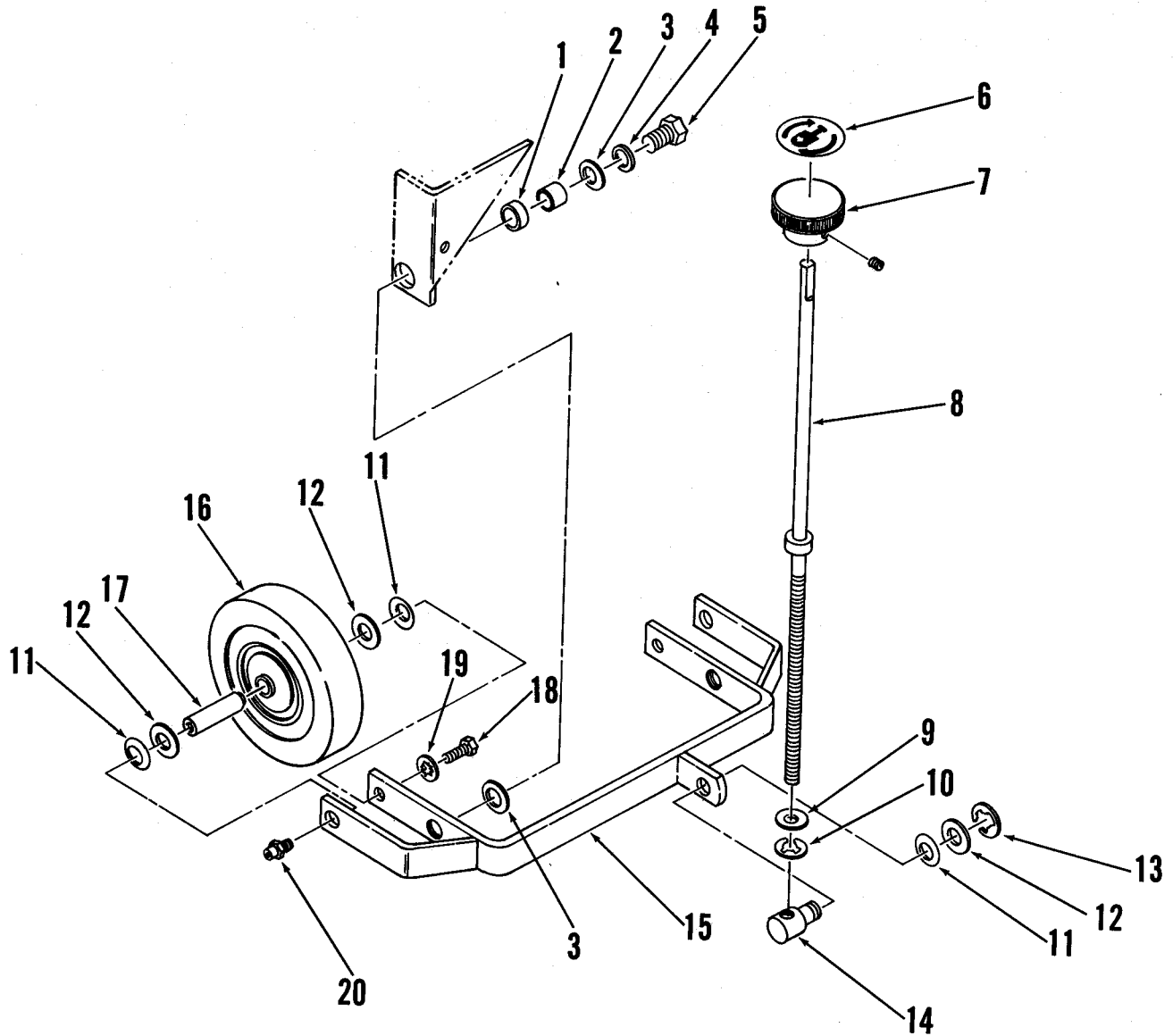
HOUSING ASSEMBLY

ITEM	PART NO.	QTY	DESCRIPTION
1	387 160	1	COVER
2	200 754	1	GASKET,62"
3		18	SCREW,Hex Washer Hd. #10-24 x 3/8 HP-5
4	385 437	1	GASKET
5	384 898	1	FILTER,Vac Motor
6	387 422	1	FILTER,Foam
7	207 195	1	MOTOR,Vac 115V
	202 290	1	MOTOR,Vac 230V
8	387 420	1	GASKET
9	352 829	2	CLAMP, Hose
10	387 392	1	HOSE, Flex
11	387 792	1	FRAME WELDMENT
12	397 212	1	FOAM ACCOUSTICAL
13	402 940	1	BUMPER
14	387 212	1	FOAM ACCOUSTICAL
15	157 376	1	GROMMET
16	387 548	1	RING, 20" 115V Only
17	387 550	1	GASKET, 20" 115V Only
18		5	NUT,Hex #10
19	387 022	1	BASE WELDMENT 17"
	387 508	1	BASE WELDMENT 20" 115V
	387 509	1	BASE WELDMENT 20" 230V
20		2	SCREW,Ph.Pan Hd.#10-24 x 5/8, HP-5
21	203 874	2	WASHER
22		4	SCREW,Ph.Truss Hd. #10-24 x 3/8
23	387 114	1	COVER, Access
24	387 394	1	COVER, Access
25	387 250	2	STUD
26	387 790	1	TANK, Solution
27		4	SCREW,Rd.Hd.Brass 1/4-20 x 1/2
28	387 710	1	TANK ASSEMBLY, Recovery
29	360 791	1	HANDLE, Tank
30		2	SCREW,Rd.Hd.Brass 1/4-20 x 1/2
31	387 714	1	DEFLECTOR
32	018 300	1	DECAL,Mobilmatic
33	023 216	1	DECAL, Stripe
34		4	SCREW,Ph.Flat Hd.#10-24 x 1/2 Type F
35	387 722	1	GASKET
36	387 720	1	PLATE
37	201 390	1	GASKET
38		4	SCREW,Ph.Pan Hd #10-24 x 3/8
39	201 386	1	CONNECTOR ASSEMBLY,C/O
40	201 377	1	CONNECTOR
41	201 391	1	PIN
42	201 472	1	PIN
43	201 448	1	SPRING
44	201 383	1	SOCKET
45	201 405	1	KNOB
46	382 818	1	STRAIN RELIEF
47	171 541	1	NUT,Hex 3/8 x 17
48	387 316	1	CIRCUIT BREAKER,17" 115V
	171 550	1	CIRCUIT BREAKER,20" 115V
	387 328	1	CIRCUIT BREAKER, 230V
49	018 332	1	DECAL, Pour
50	387 392	1	WIRE ASSEMBLY (Except 20" 115V)
51	018 328	1	DECAL, Wiring 17" 115V
	018 330	1	DECAL, Wiring 20" 115V
	018 334	1	DECAL, Wiring 17" & 20" 230V
52	387 730	1	FLOAT ASSEMBLY, 115V C/O
	387 750	1	FLOAT ASSEMBLY, 230V C/O
53	387 740	1	PLATE, 115V
	387 752	1	PLATE, 230V
54	387 738	1	HANDLE
55	387 744	1	ROD
56	387 268	1	GASKET
57	387 398	1	FLOAT,Foam
58	387 732	1	SHIELD
59		2	WASHER,Flat Brass 5/16
60		1	NUT,Hex Brass 5/16-18

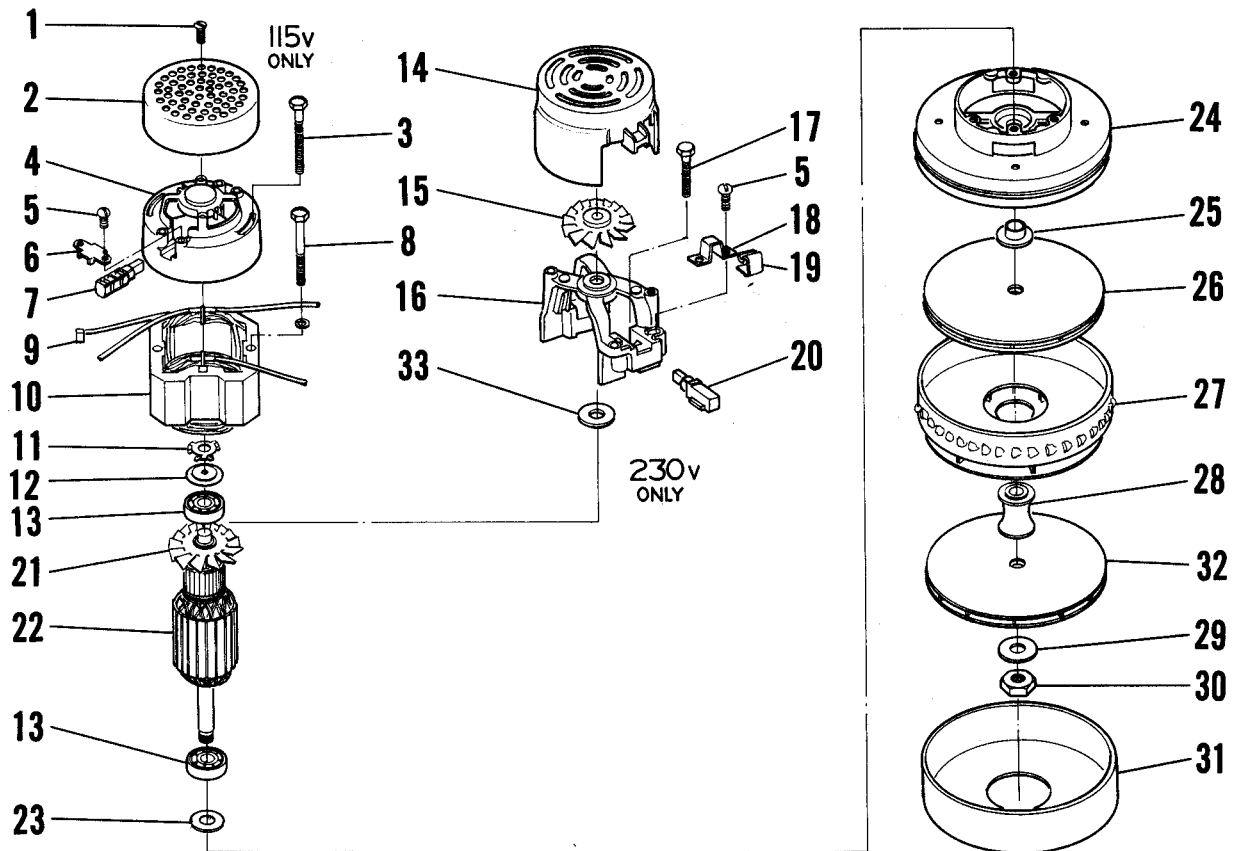


DRIVE ASSEMBLY

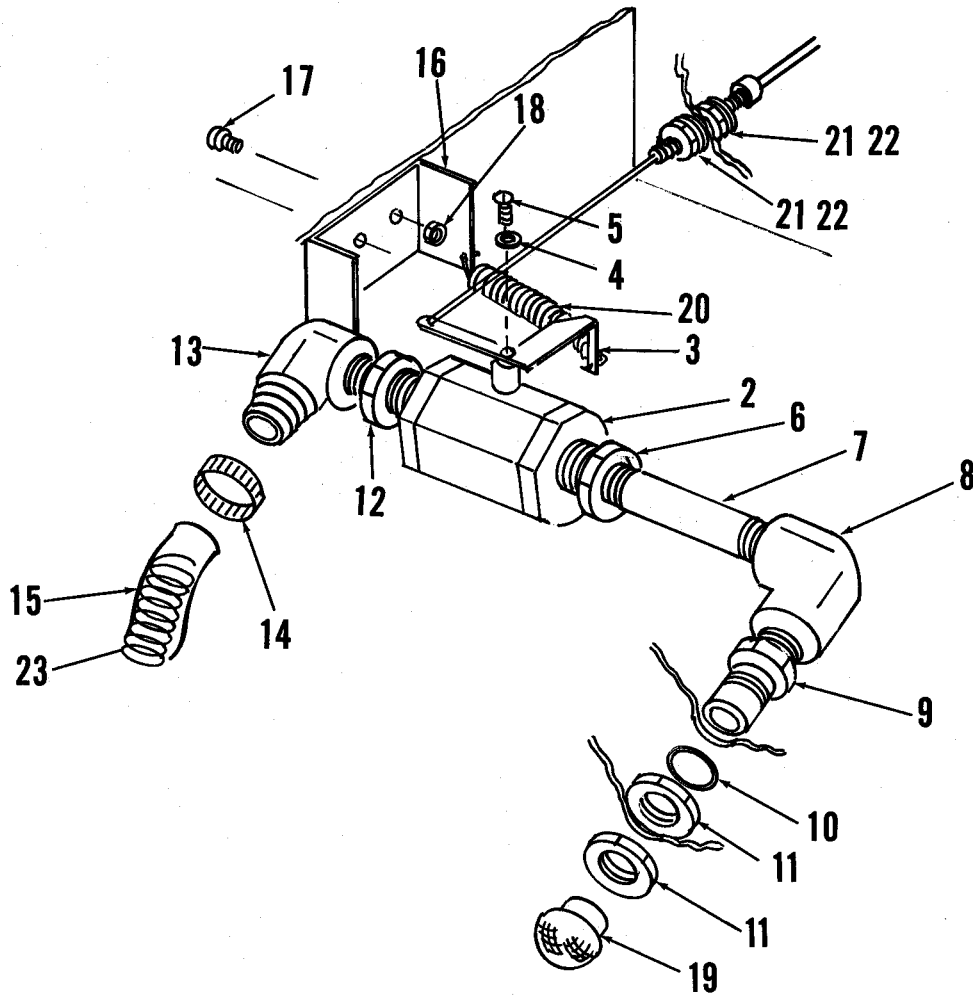
ITEM	PART NO.	QTY	DESCRIPTION
1	387 272	1	DRIVE ASSEMBLY, 17" 115V
	387 273	1	DRIVE ASSEMBLY, 17" & 20" 230V
	387 518	1	DRIVE ASSEMBLY, 20" 115V
2	387 014	1	MOTOR, 3/4 H.P. 17" 115V CAPACITOR #/N 755056
	387 016	1	MOTOR, 3/4 H.P. 17" & 20" 230V CAPACITOR #/N 387042
	382 129	1	MOTOR, 3/4 H.P. 20" 115V
3	387 812	1	CORD ASSEMBLY, (Except 20" 115V)
	387 814	1	CORD ASSEMBLY, 20" 115V
4	387 090	1	PLATE WELDMENT, (Except 20" 115V)
	387 520	1	PLATE WELDMENT, 20" 115V
5	387 304	1	BLOCK, Axle Right
6	387 306	1	BLOCK, Axle Left
7		4	WASHER, Shakeproof 1/4"
8		2	SCREW, Hex Hd. 1/4-20 x 5/8
9	387 542	1	SHEAVE, Poly-V 20" 115V
	171 088	1	SHEAVE, Poly-V 17" 115V
	171 414	1	SHEAVE, Poly-V 17" & 20" 230V
10		2	SCREW, Socket Set 1/4-20 x 1/4
11	443 719	1	KEY, Square
12	171 200	1	BELT, Poly-V
13	387 120	4	CAPSCREW, But. Hd. 3/8 x 3/4
14		4	WASHER, Shakeproof 5/16
15	402 940	1	BUMPER
16		5	NUT, Hex 5/16
17	387 170	1	STUD WELDMENT
18		4	SCREW, Flat Hd. 5/16x 3/4
19	171 078	1	SEAL, Shaft
20	378 267	2	BEARING, TRCN 1.00" BEARING RACE #/N 378254
21	171 376	1	PULLEY ASSEMBLY, Flat
22		1	WASHER, Flat 3/4"
23	387 176	1	LOCKWASHER
24	387 174	1	LOCKNUT
25	158 275	1	GASKET
26	387 112	1	DRIVE CAP
27		6	SCREW, Flat Hd. #12-24 x .62
28	387 018	1	SEAL, Radial Lip
29	387 116	1	PILOT
30		2	SCREW, Socket Set #10 x 1.00"
31		2	SCREW, Hex Hd. 1/4-20 x 1/2
32	387 066	1	TUBE WELDMENT
33	219 932	1	CLAMP, Hose
34	387 296	1	SPRING, Com. .48 x 7"
35	387 302	1	HOSE
36		1	WASHER, Shakeproof 3/8
37		1	SCREW, Hex Hd. 3/8 x 3/4
38	171 271	1	SPRING
39		1	WASHER, Flat 5/16
40	386 273	1	LINKAGE
41	171 178	1	IDLER ASSEMBLY, 230V
	387 566	1	IDLER ASSEMBLY, 115V
42	386 282	1	BRACKET, 115V
	387 574	1	BRACKET, 230V
43		4	WASHER, Flat 1/4
44		4	WASHER, Shakeproof #10
45		4	SCREW, Pan Hd. #10 x 5/16
46	387 178	1	SPACER, Stud
47	386 284	1	BRACKET, 115V
	387 572	1	BRACKET, 230V
48		1	WASHER, Flat 1/4"
49		1	WASHER, Shakeproof 1/4"
50		1	NUT, Hex 1/4-20
51	171 552	1	CAPACITOR, 20" 115V Only
52	385 960	1	CLAMP, 20" 115V Only.
53	530 703	1	TAPE, 5" 115V Only.
54		2	SCREW, Hex Hd. #10-24 x 3/8 20" 115V Only.
55		1	SCREW, Pan Hd. #10-24 x 5/8 20" 115V Only
56	387 554	1	VARISTOR ASSEMBLY, 20" 115V Only
57	180 162	1	RECTIFIER, 20" 115V Only



ITEM	PART NO.	QTY	DESCRIPTION
1	478 781	2	SLEEVE, Bearing
2	360 627	2	BUSHING
3	367 214	4	WASHER, .515 x .93 x .07
4		4	WASHER, Lock 1/2
5		2	SCREW, Hex Hd. 1/2-13 x 1.00
6	018 306	1	DECAL
7	475 480	1	KNOB, Adjustment
8	387 218	1	ROD, Adjustment
9		1	WASHER, Flat 3/8
10	321 427	1	RING, Retaining 3/8 Ext.
11	155 373	5	WASHER, Spring .515
12		3	WASHER, Flat 1/2
13	468 834	1	RING, Retaining 1/2
14	387 138	1	PIN
15	387 050	1	BRACKET, Wheel Adjustment
16	387 228	2	WHEEL, 5.00 x 1.25
17	387 046	2	AXLE
18		2	SCREW, Hex Hd. 1/4-20 x 3/4
19		2	WASHER, Shakeproof 5/16
20	101 737	2	FITTING, Lube 1/4-28



ITEM	PART NO	QTY	DESCRIPTION	ITEM	PART NO	QTY	DESCRIPTION
1	203 598	2	SCREW (115V ONLY)	27	203 394	1	FAN, STATIONARY
2	208 108	1	SHELL (115V ONLY)	28	203 516	1	SPACER
3	203 601	2	SCREW (115V ONLY)	29	203 432	1	WASHER (230V)
4	208 140	1	BRACKET, COMMUTATOR END (115V ONLY)		203 416	1	WASHER (115V)
5	203 263	4	SCREW (115V ONLY)	30	203 440	1	NUT
6	208 132	2	CLAMP (115V ONLY)	31	202 326	1	FAN, SHELL (230V)
7	203 518	2	BRUSH MECHANISM (230V ONLY)		203 408	1	FAN, SHELL (115V)
	207 225	2	BRUSH MECHANISM (115V ONLY)	32	202 328	1	FAN, ROTATING (230V ONLY)
8	203 558	2	SCREW (115V ONLY)	33	228 388	1	WASHER, FIBRE (230V ONLY)
9	203 584	1	CLIP, FIELD (115V ONLY)				
10		1	FIELD, (230V ONLY)				
		1	FIELD, (115V ONLY)				
11	202 843	1	SPRING, LOAD (115V ONLY)				
12	203 513	1	DISC (115V ONLY)				
13	228 051	2	BEARING (1 ONLY ON 230V MODEL)				
14	202 300	1	SHELL (230V ONLY)				
15	203 591	1	FAN, COOLING (230V ONLY)				
16		1	BRACKET, COMMUTATOR END (230V ONLY)				
17	203 494	2	SCREW (230V ONLY)				
18	207 285	2	CLAMP (230V ONLY)				
19	202 302	2	CLIP (230V ONLY)				
20	203 518	2	BRUSH MECHANISM (230V ONLY)				
21	203 589	1	FAN, COOLING (115V ONLY)				
22		1	ARMATURE (230V ONLY)				
		1	ARMATURE (115V ONLY)				
23	202 330	1	WASHER, FELT (230V ONLY)				
	203 459	1	WASHER, FELT (115V ONLY)				
24	202 332	1	FAN END BRACKET (230V ONLY)				
	208 183	1	BRACKET & BEARING CLAMP (115V ONLY)				
25	203 424	1	SPACER				
26	208 191	2	FAN, ROTATING (1 ONLY ON 230V)				



ITEM	PART NO.	QTY	DESCRIPTION
1	387 760	1	VALVE ASSEMBLY
2	387 762	1	VALVE
3	387 764	1	LEVER WELDMENT
4		1	WASHER, Shakeproof #10
5		1	SCREW, Pan Hd. #10-24 x 5/8
6	746 898	1	BUSHING, 3/4 x 1/4
7	369 624	1	NIPPLE, 1/4 x 2
8	340 782	1	ELBOW, 1/4 x 90
9	172 075	1	NIPPLE, 1/4 NPT x 5/8 -18
10	742 552	1	O-RING
11	745 860	1	JAM NUT, Brass 5/8-18
12	751 686	1	BUSHING, 3/4 x 3/8
13	387 062	1	ADAPTER, Hose
14	219 932	1	CLAMP, Hose SAE #6
15	387 302	1	TUBE, PVC 1/2 x 11.00
16	387 808	1	BRACKET
17		2	SCREW, Ph. Truss Hd. #10-24 x 5/8
18		2	WHIZ NUT, #10-24
19	172 096	1	STRAINER
20	245 008	1	SPRING, Ext
21		4	WASHER, Flat 5/16
22		2	WHIZ NUT, 5/16-18
23	387 296	1	SPRING, Com. .48 x 7.00

