



# Electronic Service Manuals

This electronic document is provided as a service to our customers. We do not create the contents of the information contained in this document. Should you have detailed questions pertaining to the information contained in this document, you may contact Michco, or the manufacturer which provided the original information in this electronic deliverable. Michco's only part in this electronic deliverable was the electronic assembly process.

You may contact Michco through the following methods:  
Phone (517) 484-9312 or (800) 331-3339 MI, OH, IN only  
2011 N. High St. -- Lansing, Michigan -- 48906  
Fax: (517) 484-9836  
Email: [CustServ@Michco.com](mailto:CustServ@Michco.com)  
Web site: [www.Michco.Com](http://www.Michco.Com)  
Parts Web site: [www.FloorMachineParts.Com](http://www.FloorMachineParts.Com)

Order Parts on Line at:  
**[www.FloorMachineParts.Com](http://www.FloorMachineParts.Com)**

Directly to Parts & Service:  
By Email: **[Shop@Michco.com](mailto:Shop@Michco.com)**  
By Fax: (517) 702-2041  
By Voice: Use numbers above.

**Serving the Cleaning Industry Since 1922**

Notice: All copyrighted material remains property of original owners, all trademarks are property of respective owners. Manuals are subject to Manufacturer's reproduction limitations. Originals or reproductions were provided by manufacturers through a request. We make no warranty as to the correctness of information provided in this document and you assume all risk.

# Hydro-Retriever™ 260BHD

---



## **PARTS LIST**

**Advance MODEL 56372210(Obsolete)**

**This parts list is for machines after serial number 024123**



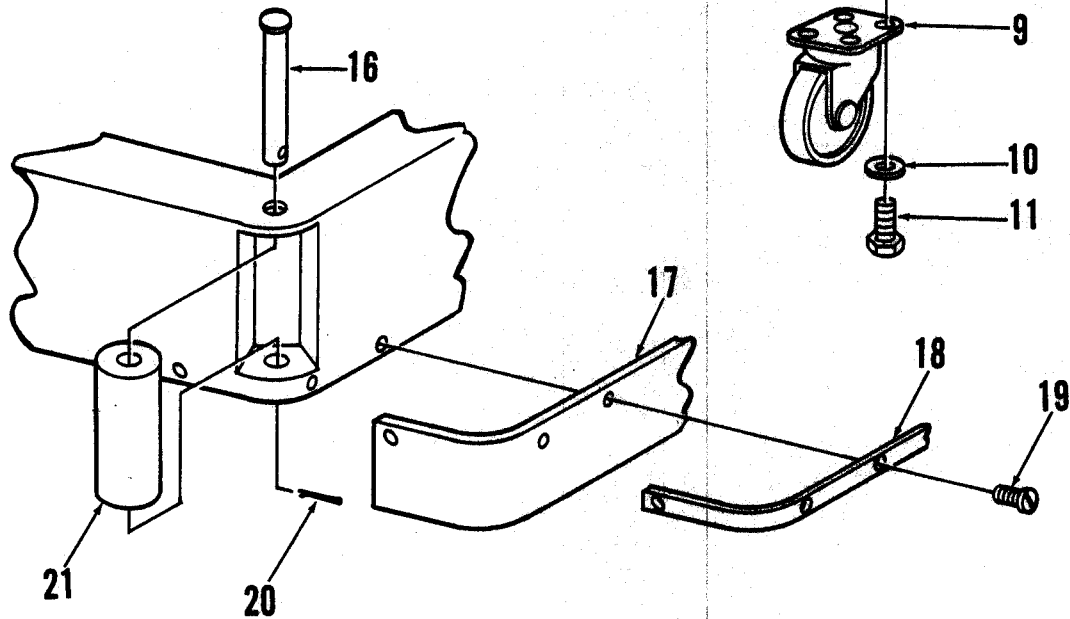
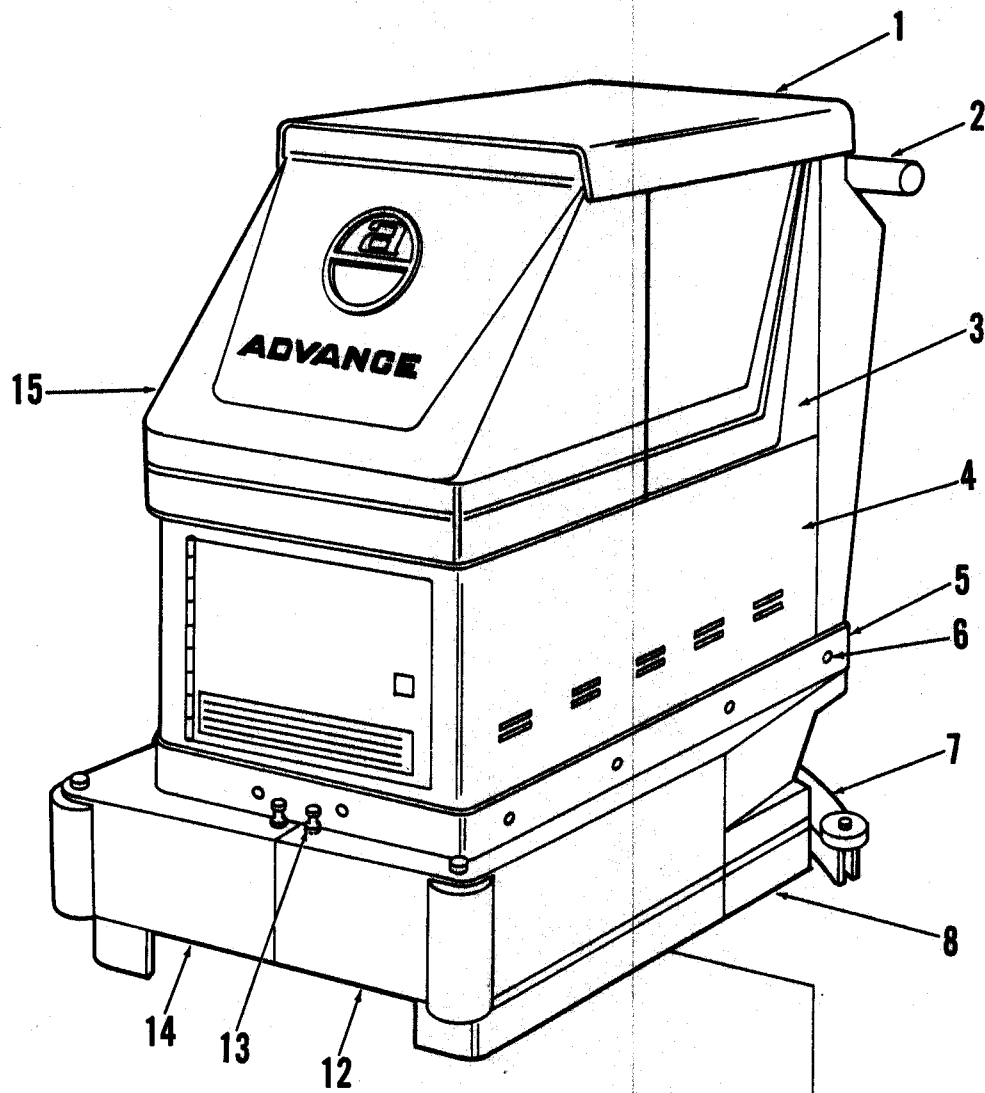
**Nilfisk  
Advance**

*setting standards*

5/85 revised 2/01 FORM NO. 56042132

## Index for Form Number 042132

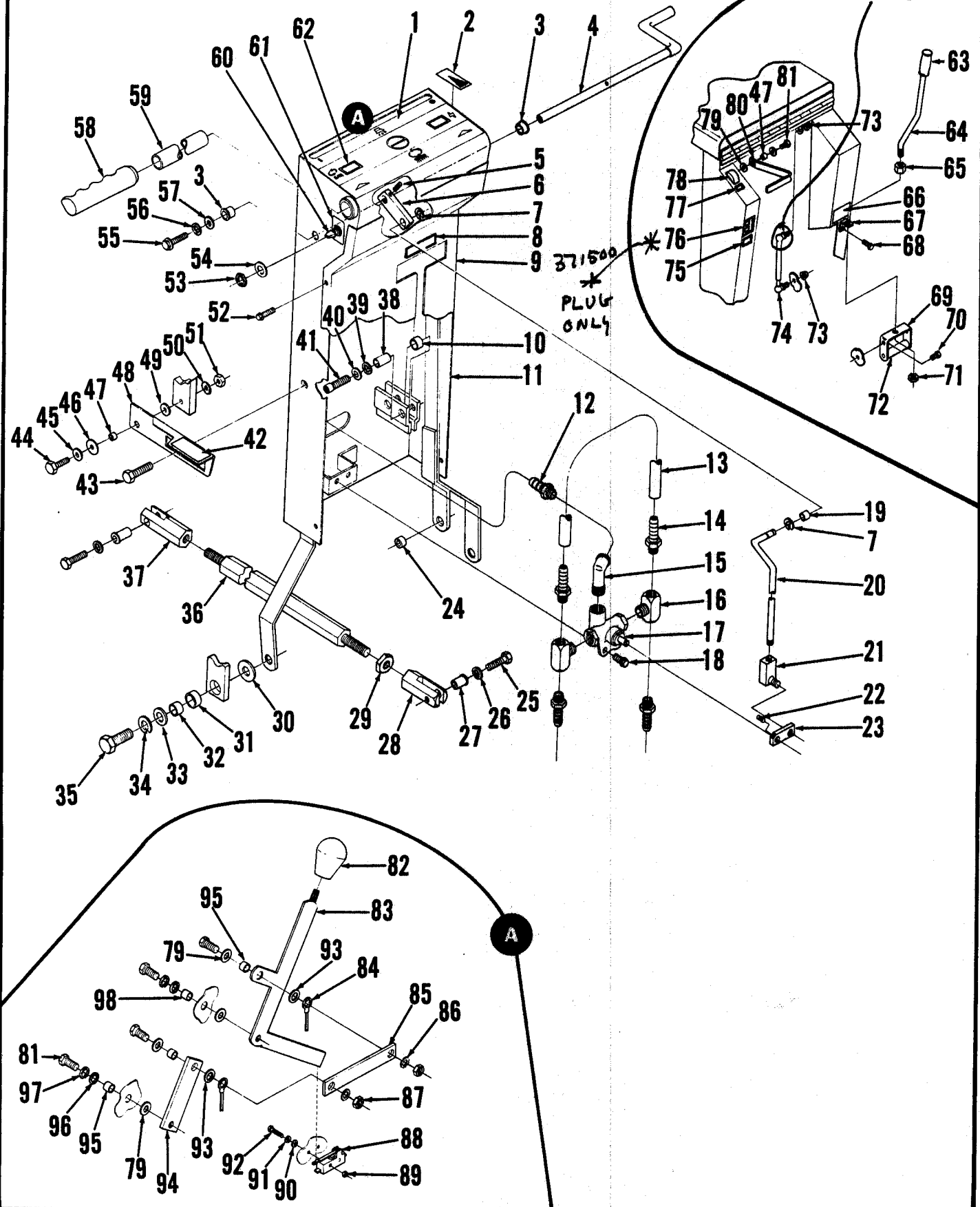
<b>Description</b>	<b>Location</b>	<b>page</b>
Brush Drive	B5	13
Caster, Skirts & Outer Body	A6	1
Chassis and Battery Case System	B13	3
Handle System	B11	1
Motors & Battery Housing	A10	5
Solution Valve & Control Handle	A8	3
Squeegee	B3	11
Tanks & Hood	B1	9
Vacuum Motor (internal parts)	B7	15
Wheels & Brush Lift Linkage	A12	7
Wiring Diagram	B9	17



# HOUSING ASSEMBLY

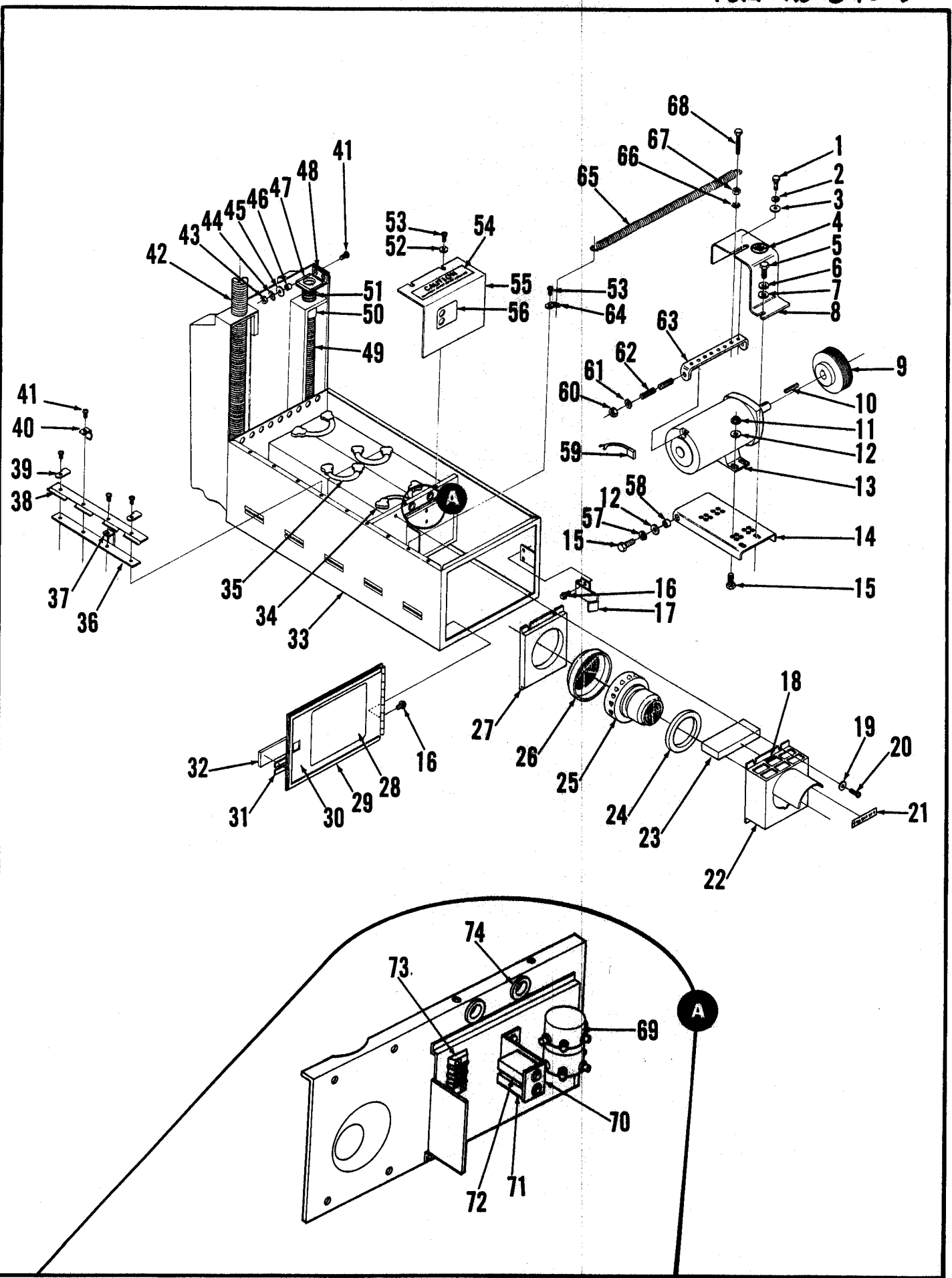
Item	Part No.	Qty	Description
1	372710	1	Hood Assembly
2	372630	1	Control Panel Assembly
3	372306	1	Recovery Tank Assembly
4	372238	1	Battery Housing Assembly
5	371963	1	Bumper, Chassis
6		10	Screw #10-24 x .50
7	372750	1	Squeegee Tool Assembly
8	372925	1	Skirt Assembly, Left Rear
	372902	1	Skirt Assembly, Right Rear c/o
	372926	1	Skirt Weldment, Left Rear
	372904	1	Skirt Weldment, Right Rear
	372920	2	Guard, Rear
	372936	1	Strap, Left
	372918	1	Strap, Right
	372929	10	Screw #10-24 x .50
9	365629	1	Caster, Swivel
10		4	Washer Lock
11		4	Screw 3/8-16 x 1.00
12	372865	1	Skirt Assembly, Left Front
	372866	1	Skirt Weldment, Left Front
13	365548	2	Lock Assembly <b>TSB 600 - G10</b>
14	372830	1	Skirt Assembly, Right Front
	372832	1	Skirt Weldment, Right Front
15	372312	1	Solution Tank Assembly
16	372882	2	Pin
17	372876	2	Guard, Front
18	372874	2	Strap, Front
19	381351	12	Screw
20		2	Cotter Pin
21	372740	2	Bumper, Roller

STUD SWIVEL  
385252



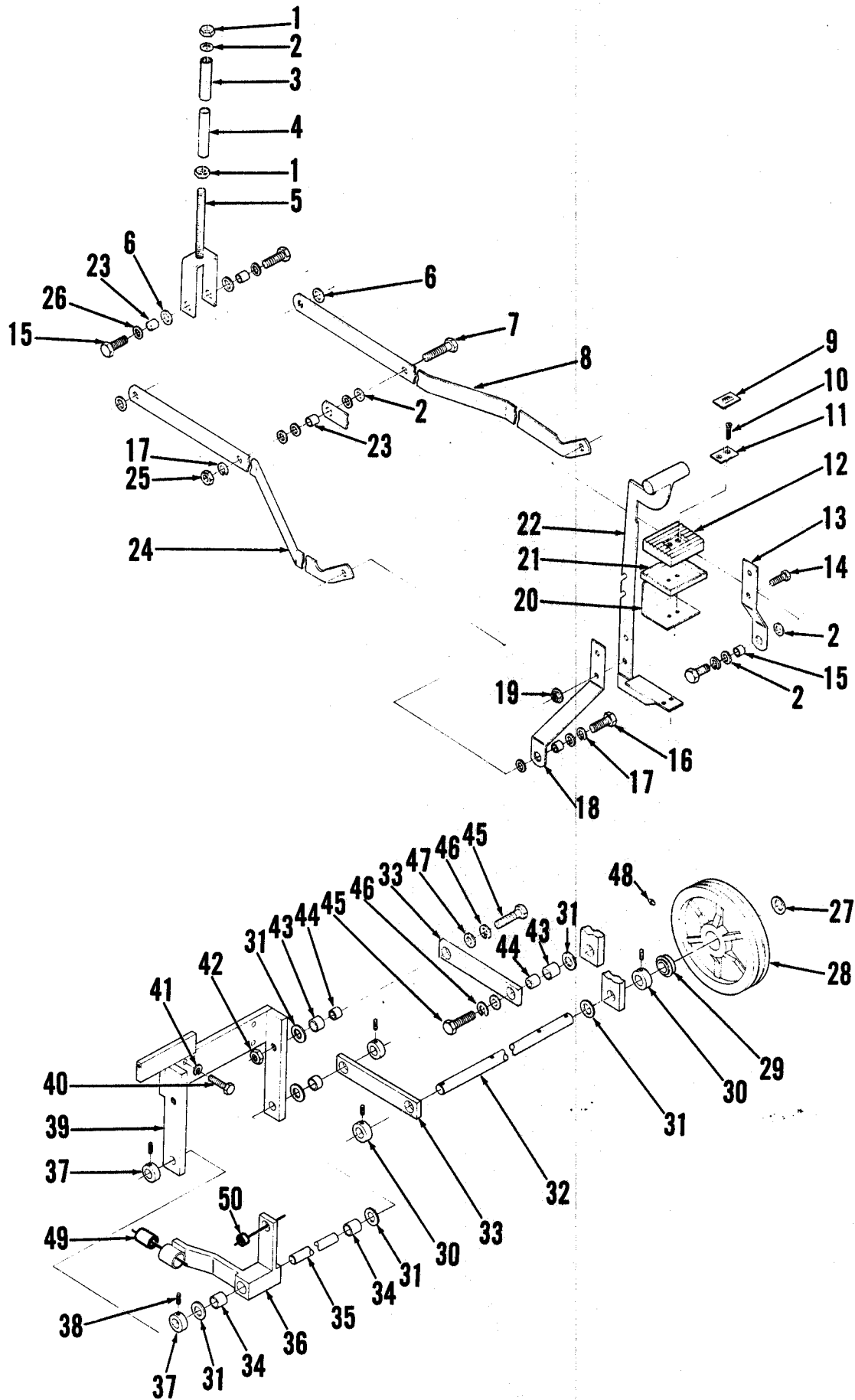
## CONTROL HANDLE ASSEMBLY

Item	Part No.	Qty	Description	Item	Part No.	Qty	Description
1	016414	1	Decal, Control Panel	54	372858	2	Washer
2	016334	1	Decal, Solution Valve	55		1	#10-24 x .375 Screw
3	329098	2	Bushing	56		1	Lock Washer
4	373459	1	Handle	57		1	Washer
5		1	Pin	58	514085	2	Handle Grip
6	373457	1	Lifter Arm	59	372828	1	Tube
7	373797	2	Retaining Ring	60	207075	2	Toggle Switch
8	054195	1	Decal, Brush	61	016616	1	Decal, Brush Switch (Left)
9	372266	1	Cover	61	016112	1	Decal, Main Switch (Right)
10	365088	2	Bushing	62	467410	2	Indicator Light
11	372260	1	Handle	63	471193	1	Knob
12	373456	1	Barb	64	372956	1	Drain Lever
13	379108	1	Tube	65	372958	1	5/16-18 Nut
14	155640	4	Barb	66	016396	1	Decal, Drain Valve
15	369632	1	Elbow	67	372662	1	Latch
16	372506	2	Tee	68		2	1/4-20 x 1 Screw
17	368881	1	Valve	69	372652	1	Pivot
18		2	Screw	70		2	1/4-20 x .5 Screw
19	373795	1	Bearing	71		1	5/16-18 Whiz Nut
20	373453	1	Lever	72	372650	1	Roller
21	373462	1	Ball Joint	73		2	5/16-18 Nut
22		1	#10-24 x .25 Screw	74	385238	1	Cylinder
23	373455	1	Arm	75	054192	1	Decal, Charger Plug
24	366633	1	Bearing	76	372972	1	Charger Connector w/wires
25		2	3/8-16 x 1.25 Bolt		371500	1	Red Connector only
26		2	Lock Washer	77	016114	1	Decal
27	366625	2	Bushing	78	364210	1	Volt Meter
28	366617	1	Right Yoke	79	150142	6	Washer
29		1	1/2-13 Nut	80	364506	1	Grip
30	367192	2	Washer	81		5	1/4-20 x .625 Screw
31	367168	2	Bearing	82	364527	1	Knob
32	367206	2	Bushing	83	372638	1	Lever
33	367214	2	Washer	84	384909	2	Wire Rope
34		2	Lock Washer	85	374944	1	Bar
35		2	1/2-13 x 1.25 Bolt	86		2	Lock Washer
36	372005	1	Rod	87		2	1/4-20 Nut
37	366609	1	Left Yoke	88	388019	1	Switch
38	365089	2	Bushing	89		2	#6-32 Nut
39		2	Lock Washer	90		2	Washer
40		2	Washer	91		2	Lock Washer
41		2	3/8-16 x 1 Bolt	92		2	#6-32 x .875 Screw
42	016386	1	Decal	93		2	Washer
43		1	3/8-16 x 1.25 Bolt	94	374942	1	Lifter Bar
44		1	1/4-20 x 1.5 Screw	95	379928	3	Bushing
45		2	Washer	96		2	1/4 Washer
46	151068	1	Washer	97		2	Lock Washer
47	368997	2	Bushing	98	206784	1	Bushing
48	367636	1	Latch				
49	151041	1	Spring Washer				
50		1	Lock Washer				
51		1	1/4-20 Nut				
52		4	#6-32 x .5 Screw				
53		2	Nut				



## BATTERY HOUSING

Item	Part No.	Qty	Description	Item	Part No.	Qty	Description
1		1	Screw	53		7	Screw
2		1	Washer Lock	54	025363	1	Decal, Caution
3		1	Washer	55	372272	1	Cover, Solenoid
4	030080	1	Decal, Hands Clear	56	016122	1	Decal, Circuit Breaker
5		1	Screw	57		2	Washer Lock
6		1	Washer Lock	58	368989	2	Bushing
7		1	Washer	59	448729	1	Carbon Brush (Set of 4)
8	372302	1	Guard, Belt	60		2	Nut
9	372626	1	Sheave	61		2	Washer Lock
10	367958	1	Key	62	379811	1	Stud
11		4	Nut Whiz 1/4-20	63	372235	1	Bracket, Spring
12		6	Washer	64	300225	1	Clip, Spring
13	372765	1	Motor	65	371114	1	Spring
	448729	1	Carbon Brush (set of 4)	66		1	Washer Lock
14	372300	1	Mounting Plate, Motor	67		1	Nut 1/4-20
15		6	Screw 1/4-20 x .75	68		1	Screw 1/4-20 x 1.50
16		7	Screw #10-24 x .375	69	468358	2	Solenoid 24V
17	372700	1	Latch, Door	70	372686	1	Bracket, Circuit Breaker
18	016591	1	Decal, 24V	71	386725	1	Circuit Breaker 50A
19		4	Washer	72	180275	1	Circuit Breaker 15A <b>TSB 375 - G12</b>
20		4	Screw #10-32 x .50	73	380548	1	Terminal Block
21	016546	1	Decal	74	570206	2	Grommet
22	372268	1	Adapter, Vacuum Motor	75	374905	1	Battery Tray *
23	380922	1	Filter				
24	209325	1	Gasket, Vacuum Motor				* = Not Shown
25	202305	1	Motor, Vacuum				
26	384898	1	Filter				
27	375335	1	Gasket				
28	016390	1	Decal, Wiring				
29	200754	1	Gasket				
30	372256	1	Door				
31	530703	2	Tape				
32	016149	1	Grill				
33	372246	1	Housing, Battery				
34	372673	6	Boot, Battery Cable				
35	363928	3	Cable Assembly, Battery				
36	385414	1	Plate, Nut				
37	373794	1	Clip, Hose				
38	361674	1	Hinge				
39	381053	2	Clip, Hinge				
40	373791	1	Clip, Hose				
41		6	Screw #10-24 x .50				
42	372666	1	Hose, Vacuum				
43		2	Nut #10-24				
44		2	Washer Lock				
45		2	Washer				
46	151092	2	Bushing				
47	385055	1	Gasket				
48	385054	1	Tube				
49	550941	1	Hose Assembly				
50	207306	2	Cuff, Hose				
51	404800	1	Spring				
52		2	Washer				



## DRIVE UNIT

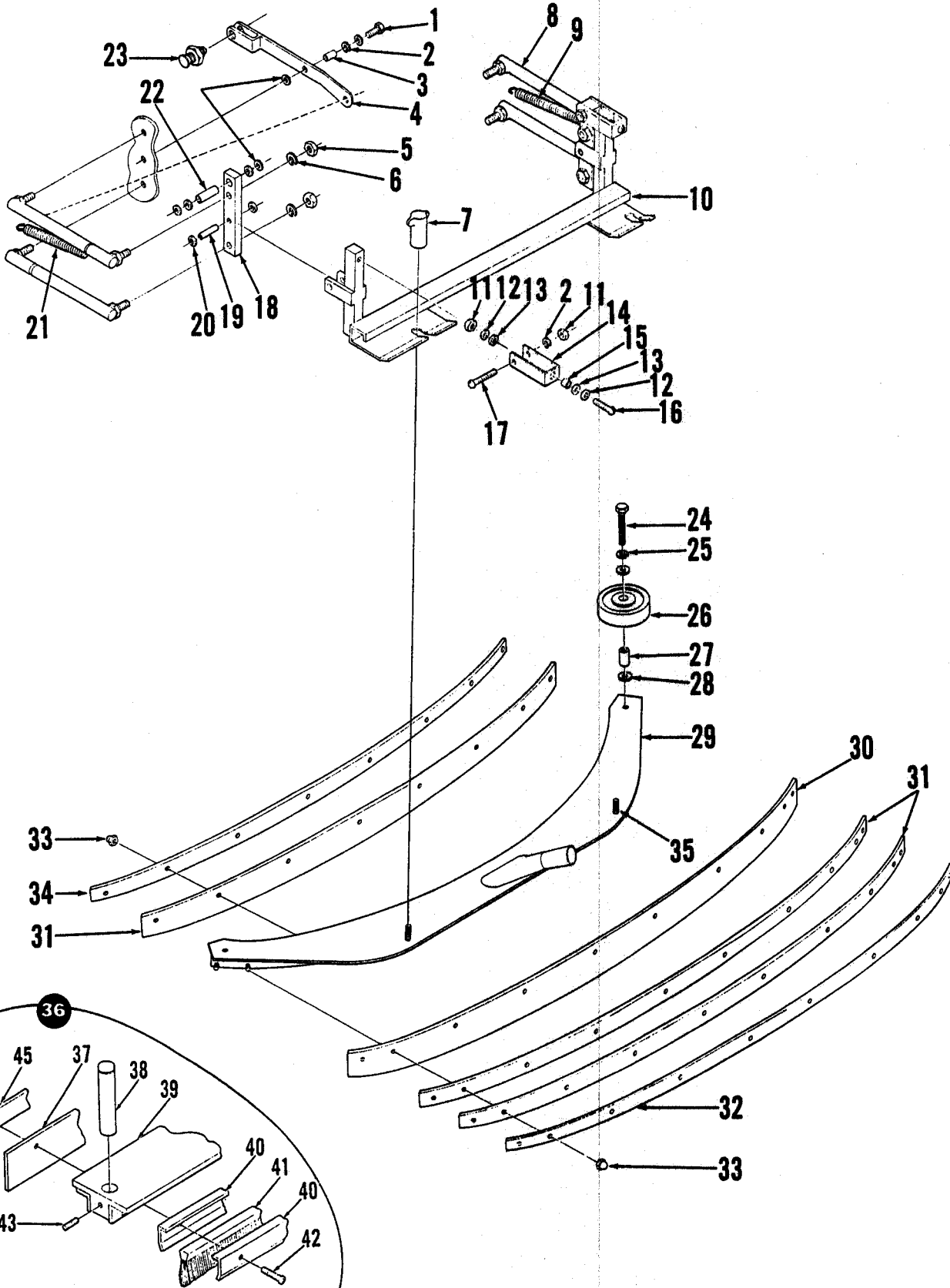
Item	Part No.	Qty	Description
1		2	Nut, 1/2-13
2	367214	26	Washer
3	372129	1	Spring
4	372110	1	Spacer
5	372102	1	Yoke
6		4	Washer, 5/8
7		1	Screw, 1/2-13 x 1.75
8	372154	1	Arm, Right
9	016281	1	Decal, Brush
10		2	Screw, Flat Hd. 1/4-20 x 1
11	365081	1	Plate
12	365086	1	Pad, Rubber
13	373606	1	Plate, Right
14		2	Screw, 3/8-16 x 1.25
15	365030	2	Bushing
16		4	Screw, 1/2-13 x 1
17		2	Washer, Lock
18	373614	1	Plate, Left
19		2	Nut, 3/8-16
20	380255	1	Guard, Foot
21	365087	1	Cup, Pedal
22	372147	1	Pedal
23	360627	3	Bushing
24	372162	1	Arm, Left
25		1	Nut, 1/2-13
26		2	Washer, Lock
27	362882	2	Washer, Bowed
28	377945	2	Wheel
29	362352	4	Ball Bearing
30	367095	4	Collar
31	367192	10	Washer
32	372196	1	Axle
33	372708	4	Arm, Drive Unit
34	367389	2	Bearing, Sleeve
35	367346	1	Shaft
36	366581	1	Lever
37	367354	3	Collar
38		5	Screw, Socket Set
39	550569	1	Bracket, Gear Case
40		4	Screw 3/8-16 x 1
41		4	Washer, Lock
42	441236	2	Nut, Spring Lock
43	367168	8	Bearing
44	367206	6	Bushing
45		4	Screw 1/2-13 x 1.5
46		4	Washer, Lock
47		4	Washer
48	101737	2	Fitting, Grease
49	114545	1	Bushing, Rubber
50	366633	1	Bearing, Sleeve



## HOOD AND TANKS

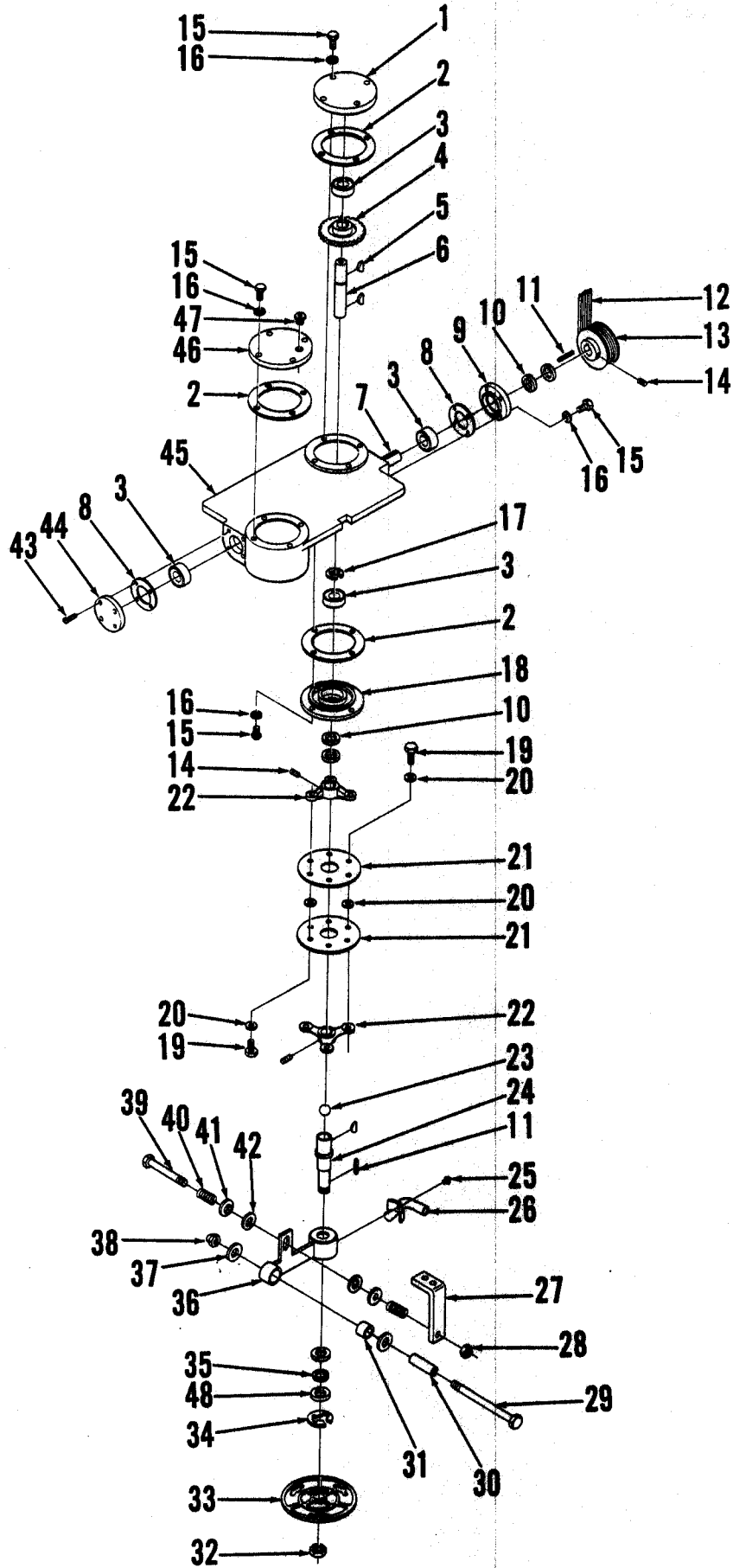
Item	Part No.	Qty	Description
1	016358	1	Decal, Hood
2		23	Nut 1/4-20
3	386312	2	Stop, Hood
4	372724	3	Spring
5	016185	1	Decal, Low Sudsing
6	372726	1	Cover, Solution Tank
7	325276	3	Washer
8	372728	3	Screw Brass #6-32 x .50
9	379170	3	Spring
10	372538	1	Mount
11	372716	1	Gasket
12	385198	1	Float
13	385237	1	Cover
14	372718	1	Gasket
15	379206	1	Deflector
16		4	Washer
17		4	Screw #10-24 x .375
18		31	Screw Brass 1/4-20 x .625
19	372296	2	Handle
20	016057	1	Decal
21	372314	1	Tank, Solution
22	024958	1	Emblem, Advance
23	016388	1	Decal, 260BHD
24	—	-	intentionally omitted
25	372406	1	Bumper
	372408	1	Strap
	376608	15	Well Nut
26	379125	1	Strainer
27	372332	1	Hinge
28	380763	1	Gasket
29	379202	1	Plate
30	372320	1	Insert, Barbed
31	219932	2	Clamp, Hose
32	375406	1	Hose, Solution
33	372222	1	Hose, Drain
34	329145	2	Clamp, Hose
35	374672	1	Drain
36	204161	1	Gasket
37		11	Washer Lock
38	374560	1	Hinge
39	372308	1	Tank, Recovery
40	372402	2	Bumper
	372400	2	Strap
41	385234	1	Plate, Deflector
42	374558	1	Gasket
43	372304	1	Inlet Adapter
44		8	Screw #10-24 x .31
45	372693	1	Hinge, Hood
46	372276	1	Hood
47		3	Washer
48	321125	3	Retaining Ring
49	016225	1	Decal, Maintenance
50	372962	1	Bracket Weldment
51	380712	1	Drain Hose

PARTS NOT SHOWN ON  
 SQUEEGEE MOUNT, ITEM 10:  
 TURNBUCKLES (QTY 2) #374940  
 JAM NUT (QTY 2) 5/16 - 24 LEFT HAND



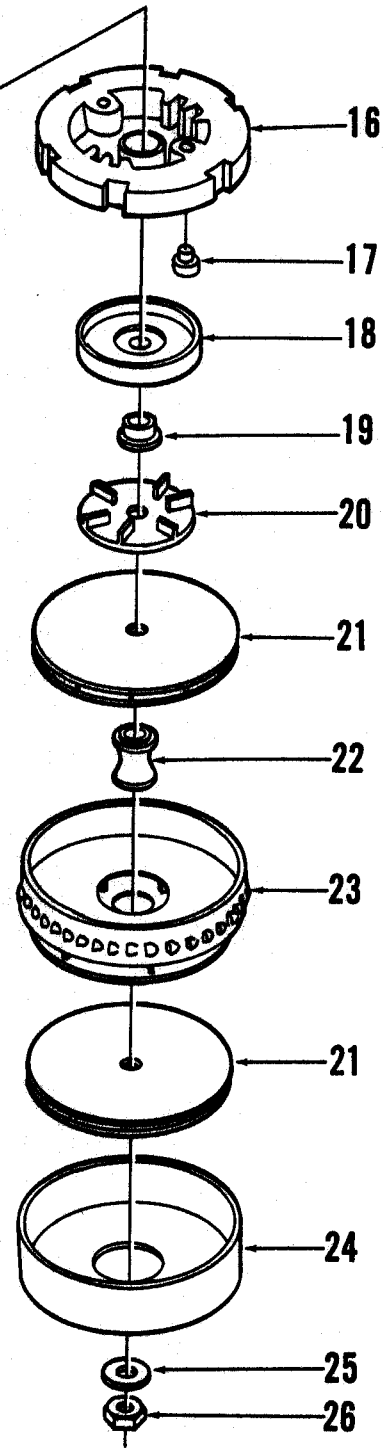
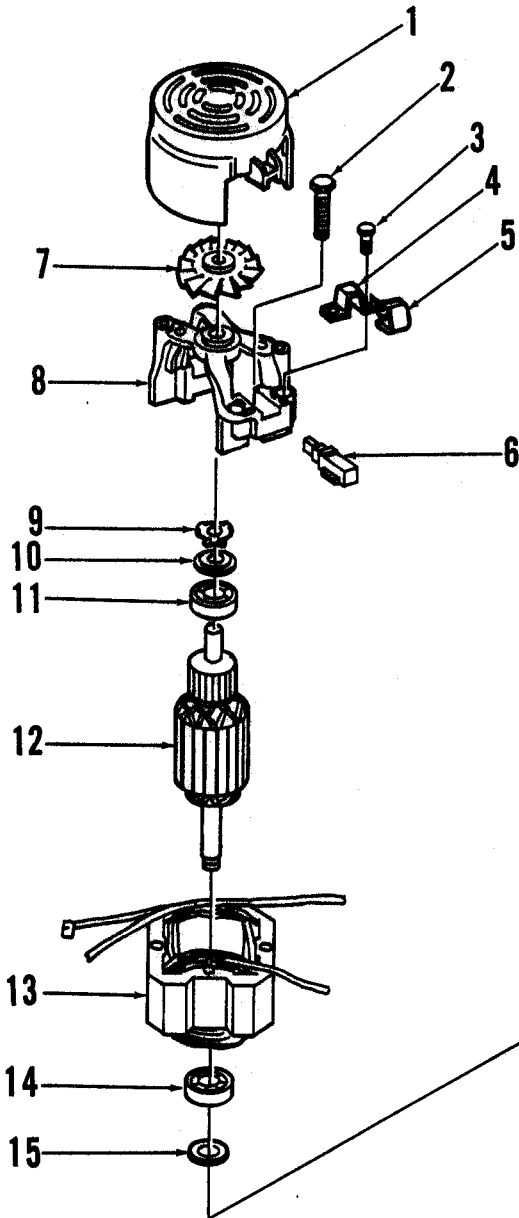
## SQUEEGEE AND MOUNT

Item	Part No.	Qty	Description
1		2	Screw 1/4-20 x .625
2		4	Washer Lock 1/4
3	206784	2	Bushing
4	371831	1	Arm, Left
	371858	1	Arm, Right (not shown)
5		4	Nut 5/16-24
6		4	Washer Lock
7	370711	2	Thumb Nut
8	365289	4	Joint, Double Ball
9	371866	1	Spring, Right Hand
10	371795	1	Squeegee Mount
11		4	Nut 1/4-20
12		14	Washer 1/4
13	163880	4	Washer Spring
14	371823	2	U-Clamp
15	206784	2	Bushing
16		2	Screw 1/4-20 x 1.75
17		2	Screw 1/4-20 x 1.50
18	371807	2	Bar, Adjusting
19		2	Roll Pin <b>TSB 392 - G11</b>
20	150142	4	Washer
21	371866	1	Spring, Left Hand
22	366862	2	Bushing
23	365548	2	Lock Assembly
24		2	Screw 14-20 x 1.50
25		2	Washer Lock
26	363855	2	Wheel
27	471220	2	Bushing
28		4	Washer
29	372752	1	Tool
30	372766	1	Blade, Gum Rubber
31	372764	3	Blade, Neoprene
32	372772	1	Strap, Outer
33	372776	18	Nut Brass #10-24
34	372770	1	Strap, Inner
35		2	Screw 5/16-18 x 3/4
36	550400	1	Dry Pick-Up Tool
37	371033	1	Blade
38	370983	2	Axle
39	371045	1	Tool
40	550412	2	Plate
41	550407	1	Brush Strip
42	378228	10	Screw
43		2	Screw Set 1/4-20 x 3/16
44	378236	10	Screw
45	371025	1	Strap, Front



## GEAR CASE

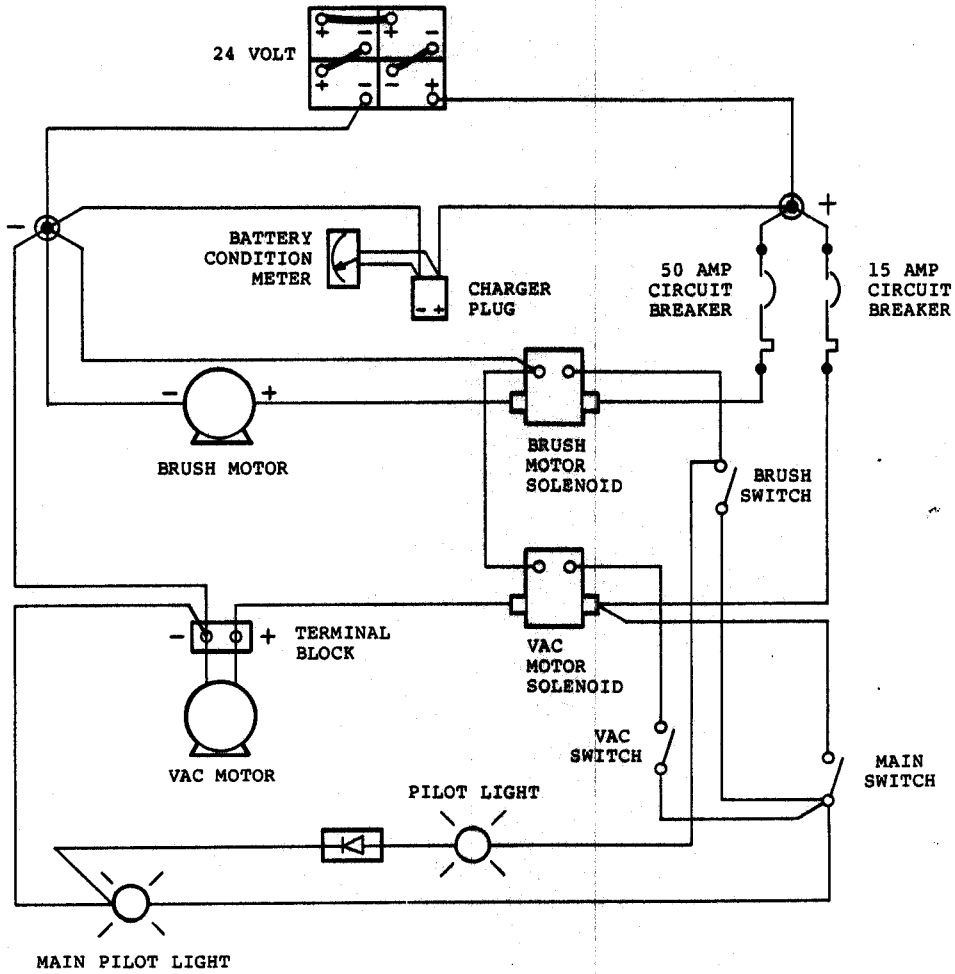
Item	Part No.	Qty	Description	Item	Part No.	Qty	Description
1	366161	1	Cap, Worm Gear	24	366412	2	Shaft
2	366684	A/R	Shim, Red	25	369128	2	Fitting, Grease
	366692	A/R	Shim, Blue	26	369136	1	Pipe, Water Feed Left
	366706	A/R	Shim, Pink		369144	1	Pipe, Water Feed Right
3	366323	6	Bearing, Roller	27	378437	2	Bracket
4	366226	2	Gear, Worm	28		2	Nut, 3/8-16
5	366366	6	Key, Woodruff	29	440787	2	Bolt
6	366307	2	Shaft, Worm Gear <b>TSB610, G-8</b>	30	440698	2	Spacer, Bushing
7	550170	1	Shaft, Double Worm	31	114545	2	Bushing, Rubber
8	366714	A/R	Shim, Red	32	366420	2	Nut
	366722	A/R	Shim, Blue	33	367931	2	Holder, Brush
	366730	A/R	Shim, Pink	34	366544	2	Ring, Retaining
9	366129	1	Cap, Gear Case	35	366528	2	Bushing, Rubber
10	366331	6	Seal, Grease	36	550206	2	Arm Assembly (with Bearings)
11	367958	3	Key, Square		550190	2	Arm
12	372242	1	Belt	37		6	Washer, 1/2
13	372889	1	Sheave	38		2	Nut, Acorn
14		5	Screw, Socket Set	39		2	Screw, 3/8-16 X 2.75
15	366285	20	Screw	40	171177	4	Spring
16		20	Washer, Lock	41	440760	4	Washer
17	366358	2	Ring, Retaining	42	367184	4	Bearing, Thrust
18	366218	2	Cap, Bottom	43		4	Screw, Flat Hd. 1/4-20 X 1/2
19	366447	12	Screw	44	550920	1	Cap, Worm Shaft
20		24	Washer, 3/8	45	550906	1	Gear Case
21	104647	4	Disc, Thermoid	46	366188	1	Cap, Worm Gear
22	366382	4	Casting, Universal	47	366269	1	Plug, Vented
23	366404	2	Ball	48	372773	4	Bearing, Ball



**VACUUM MOTOR**

Item	Part No.	Qty	Description
1	208110	1	Housing
2	372574	2	Screw
3	372570	5	Screw
4	207285	2	Clamp
5	202302	2	Clip
6	372572	2	Brush
7	203591	1	Fan
8	207234	1	End Bracket
9	202843	1	Load Spring
10	249735	1	Disc
11	203587	1	Bearing
12	372590	1	Armature
13	208280	1	Field
14	228051	1	Bearing
15	203461	1	Washer
16	372578	1	Fan End Bracket
17	372580	1	Check Valve
18	372582	1	Air Seal Shell
19	372584	1	Spacer
20	372586	1	Fan
21	372588	2	Rotating Fan
22	203516	1	Spacer
23	203394	1	Stationary Fan
24	203408	1	Shell
25	203432	1	Washer
26	203440	1	Nut

# WIRING DIAGRAM



TSB  
375,G-12