



Electronic Service Manuals

This electronic document is provided as a service to our customers. We do not create the contents of the information contained in this document. Should you have detailed questions pertaining to the information contained in this document, you may contact Michco, or the manufacturer which provided the original information in this electronic deliverable. Michco's only part in this electronic deliverable was the electronic assembly process.

You may contact Michco through the following methods:
Phone (517) 484-9312 or (800) 331-3339 MI, OH, IN only
2011 N. High St. -- Lansing, Michigan -- 48906
Fax: (517) 484-9836
Email: CustServ@Michco.com
Web site: www.Michco.Com
Parts Web site: www.FloorMachineParts.Com

Order Parts on Line at:
www.FloorMachineParts.Com

Directly to Parts & Service:
By Email: **Shop@Michco.com**
By Fax: (517) 702-2041
By Voice: Use numbers above.

Serving the Cleaning Industry Since 1922

Notice: All copyrighted material remains property of original owners, all trademarks are property of respective owners. Manuals are subject to Manufacturer's reproduction limitations. Originals or reproductions were provided by manufacturers through a request. We make no warranty as to the correctness of information provided in this document and you assume all risk.

HYDRO RETRIEVER TRAC 280 BHD

THIS PARTS LIST IS FOR MACHINES
AFTER SERIAL NUMBER 092 028

PARTS LIST



ADVANCE
MACHINE COMPANY

INTERNATIONAL HEADQUARTERS, Spring Park, Minnesota 55384-0275

EUROPE, 4 Rue Jean Engling, L-1466 Luxembourg

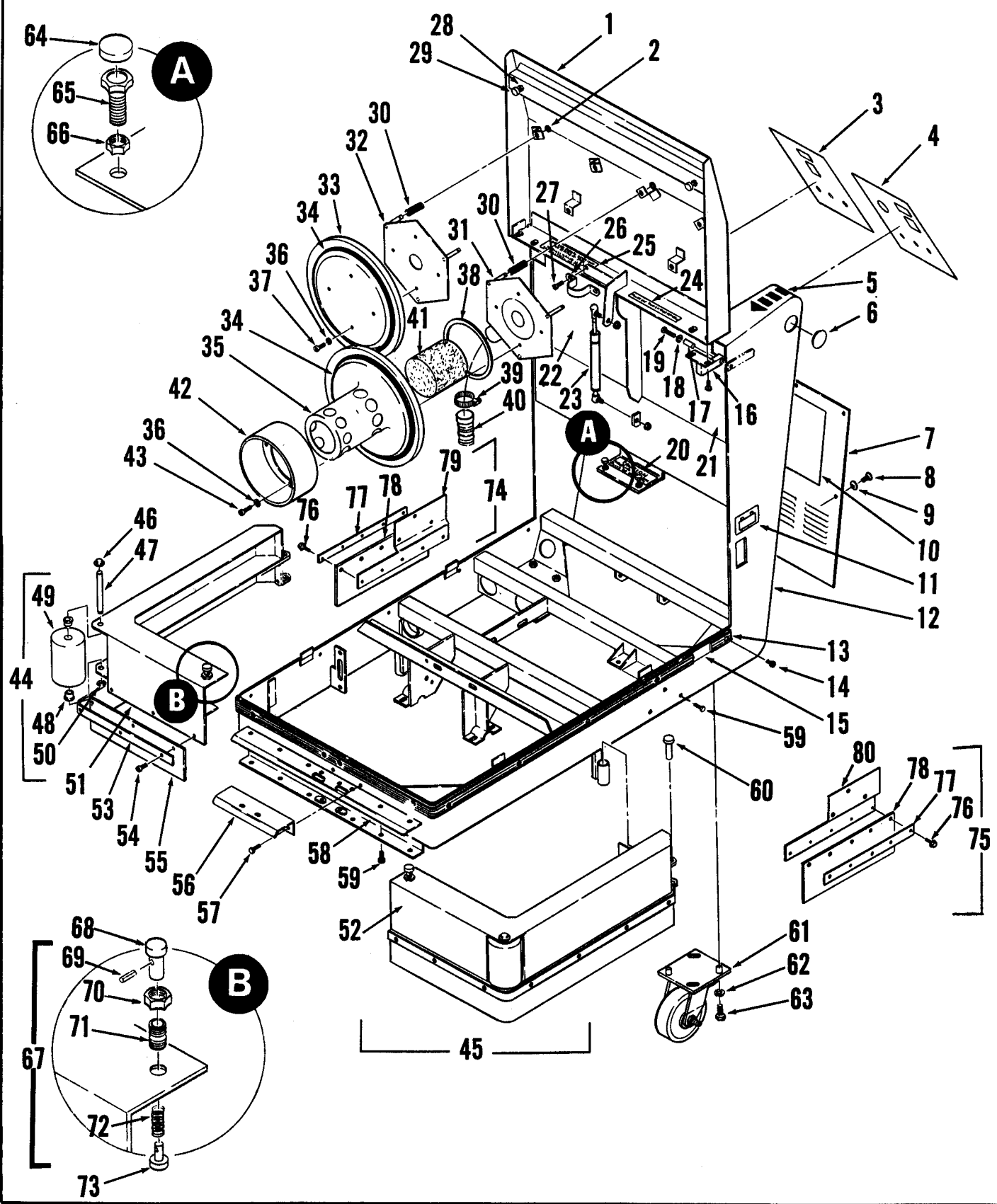
CANADA, 1295 Crestlawn Drive, Mississauga, Ontario L4W 1A9

© 1986 Advance Machine Co. FORM NO. 042 147 12/85



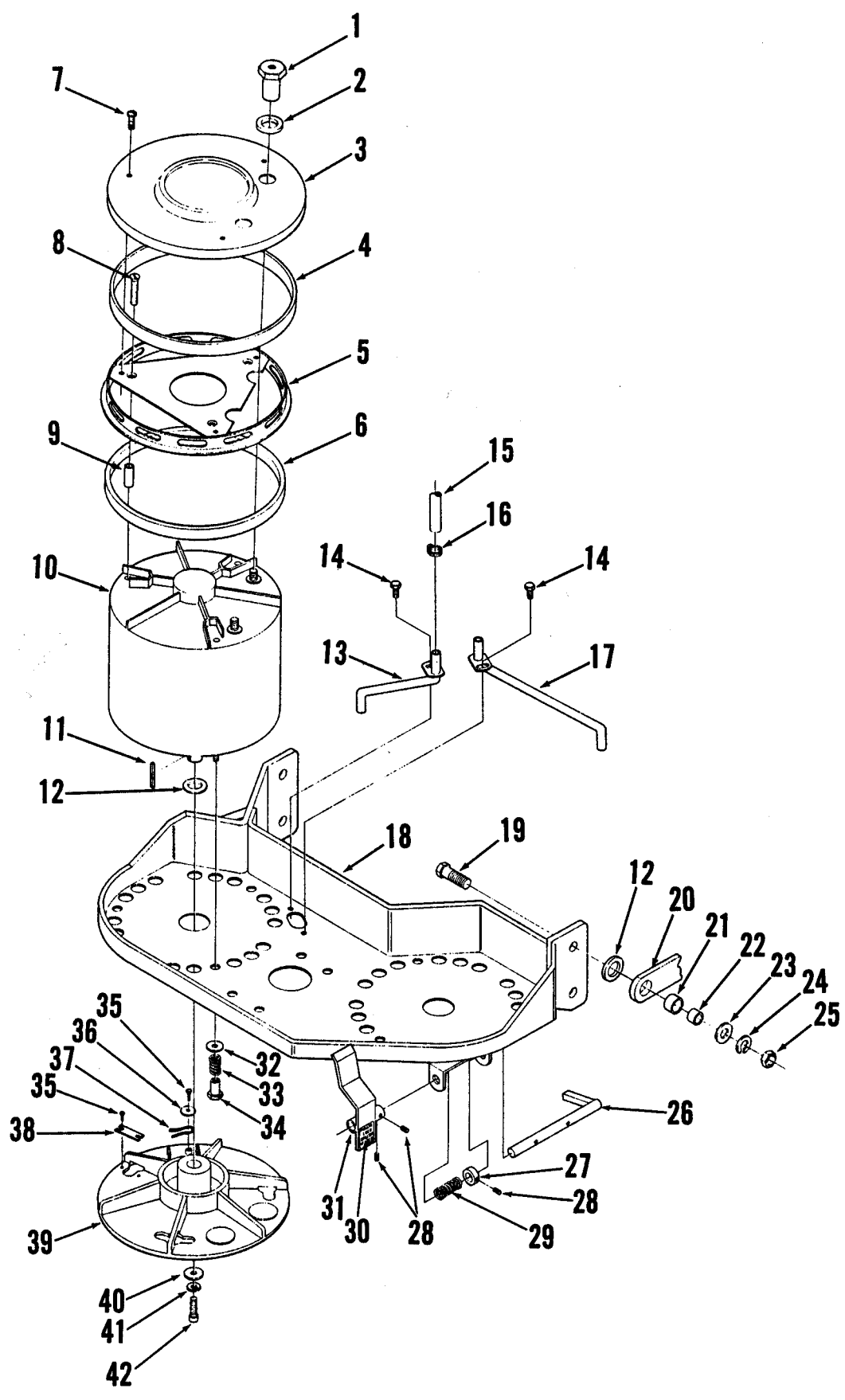
INDEX FOR FORM NUMBER 042147

<u>Description</u>	<u>Location</u>	<u>Page</u>
Brush Drive	B11	3
Brush Lift	B13	5
Casters, Skirts & Hood	B9	1
Controls & Electrical Panel	C7	13
Solution Valve, Vacuum Motor & Tanks	C1	7
Squeegee	C5	11
Vacuum Motor (internal parts)	C10	16
Wheel Drive & Brake	C3	9
Wiring Diagram	C9	15



CHASSIS AND HOOD ASSEMBLIES

Item	Part No.	Qty	Description	Item	Part No.	Qty	Description
1	376600	1	Hood	53	376074	2	Strap
2	321125	6	Retaining Ring	54	372929	16	#10-24 Screw
3	016944	1	Decal, Control Panel Right	55	376076	2	Blade
4	016942	1	Decal, Control Panel Left	56	376578	1	Bracket
5	025286	2	Decal, Arrow	57		2	5/16-18 x 5/8 Screw
6	744814	2	Plug Button	58	376090	1	Locking Plate
7	376596	1	Rear Door Panel	59		12	1/4-20 x 1/2 Hex Head Screw
8		5	10-24 x 3/8 HP-5 Oval Hd Screw	60	360147	2	Hinge Pin
9	449340	5	Finishing Washer	61	440450	2	Swivel Caster
10	016948	1	Decal, Wiring Diagram	62		8	1/4 Lock Washer
11	016324	1	Decal, Charger Plug	63		8	1/4-20 x 3/4 Hex Head Screw
12	376781	1	Chassis	64	401788	2	Snap-On Cap
13	376424	1	Bumper	65	401783	2	Tank Leveler
14		14	#10-24 x 3/4 Pan Head Screw	66		2	5/16-18 Hex Nut
15	376426	1	Bumper Strap	67	365548	2	Lock Assembly
16	376052	2	Hinge	68	201405	2	Knob
17	471220	2	Bushing	69	201472	2	Pin
18		2	1/4 Flat Washer	70	201413	2	Hex Nut
19		2	1/4-20 x 1-1/2 Hex Head Screw	71	201383	2	Socket
20	016116	1	Decal, Caution	72	201448	2	Compression Spring
21	376594	1	Left Inside Panel	73	201391	2	Pin
22	376592	1	Right Inside Panel	74	376964	1	Aux. Skirt Assembly Right
23	385238	1	Hood Cylinder	75	376962	1	Aux. Skirt Assembly Left
24	025339	1	Decal, Tank	76	372929	10	Screw
25	016185	1	Decal, Low Sudsing	77	376954	2	Strap
26	376428	1	Clamp	78	376956	2	Blade
27		2	#10-24 x 3/8 Pan Head Screw	79	376960	1	Backing Plate Right
28		2	1/4-20 Hex Nut	80	376958	1	Backing Plate Left
29	386312	2	Hood Stop				
30	379170	6	Compression Spring				
31	379197	1	Left Centering Mount				
32	379192	1	Right Centering Mount				
33	376008	1	Cover				
34	376496	2	Gasket				
35	376006	1	Cover				
36		8	#10 Brass Washer				
37		4	#10-24 x 3/8 Brass Screw				
38	325148	1	Gasket				
39	329145	1	Hose Clamp				
40	376422	1	Vacuum Hose				
41	385198	1	Float				
42	376010	1	Deflector				
43		4	#10-24 x 5/8 Brass Screw				
44	376714	1	Skirt Assembly Right				
45	376710	1	Skirt Assembly Left				
46	376544	2	Stud Cap				
47	376542	2	Rod				
48	111503	4	Oilite Bearing				
49	376540	2	Roller				
50	468834	2	Retaining Ring				
51	376712	1	Skirt Frame Right				
52	376708	1	Skirt Frame Left				

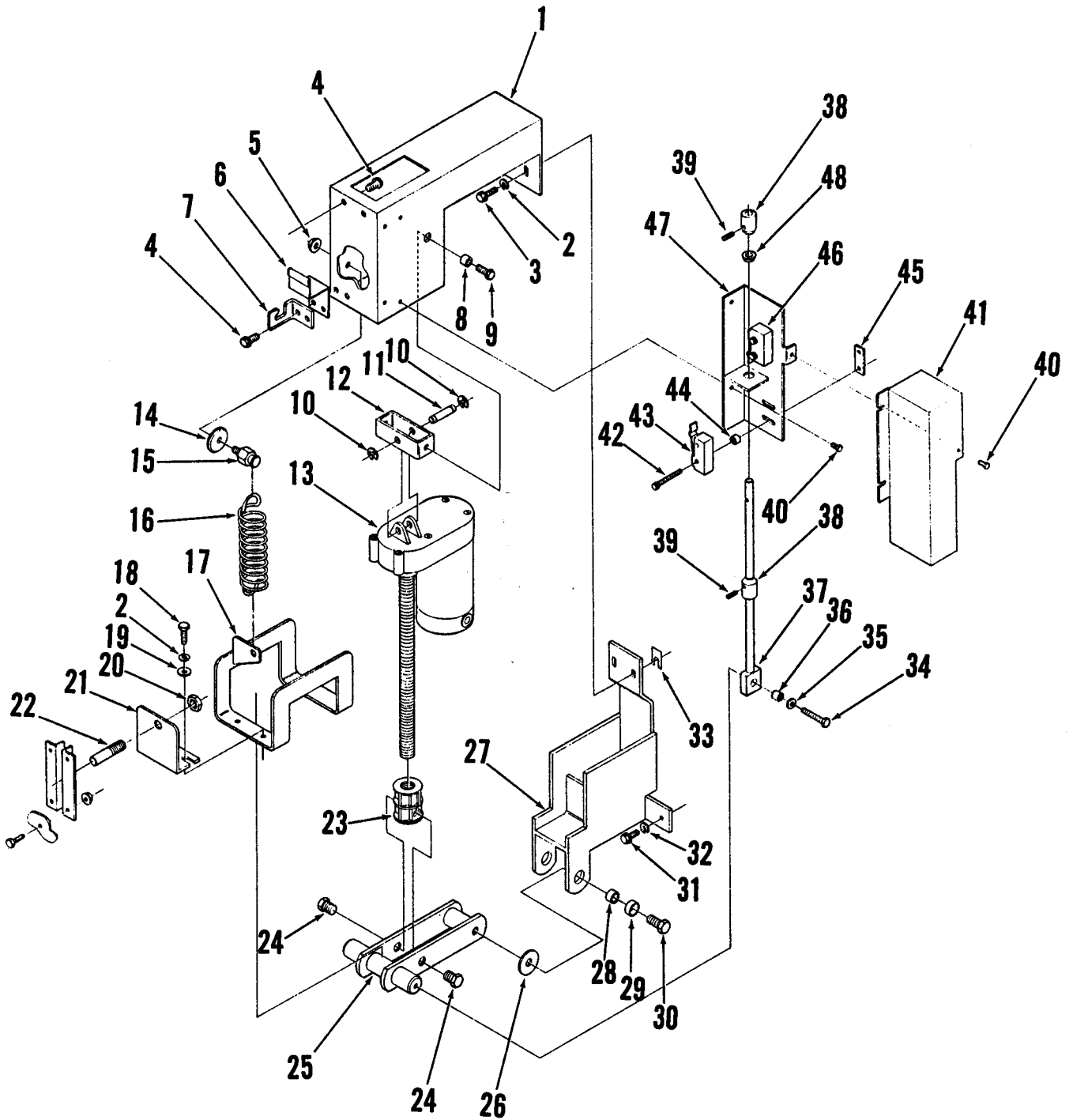


BRUSH DRIVE ASSEMBLY

Item	Part No.	Qty	Description	Item	Part No.	Qty	Description
1	386988	4	Stand-Off	28		6	1/4-20 x 3/16 Set Screw
2	760212	4	Grommet	29	171123	2	Spring
3	386691	2	Cover	30	016974	2	Decal, Brush Lock
4	180032	2	Filter	31	377230	2	Handle
5	180008	2	Bracket	32		6	7/16 Flat Washer
6	206058	2	Motor Gasket	33	377253	6	Spring
7		6	10-24 x 1/2 Pan Head Screw	34	377244	6	Spacer
8		6	10-24 x 1-1/2 Flat Head Screw	35		6	10-24 x 3/8 Hex Head Screw
9	207489	6	Bushing	36	151114	2	Washer
10	376025	2	Motor TSB 515 - F12	37	366463	2	Spring Retainer
*	386813	1	Motor Brush/Set of 4	38	366455	2	Stop Plate
*	184146	4	Motor Brush Springs	39	364082	2	Brush Holder
11	370010	2	Square Key	40	180200	2	Washer
12	367192	5	Washer	41		2	5/16 Lock Washer
13	376776	1	Pipe, Right	42	180196	2	Screw
14		2	10-24 x 3/8 Hex Head Screw	43	376866	1	Brush Drive Assembly
15	376444	2	Tube	**	505770	2	Pad Holder
16	756364	2	Hose Clamp	**	505771	2	Magna-Grit 46 Brush
17	376772	1	Pipe, Left	**	505772	2	Dyna-Grit 80 Brush
18	376718	1	Brush Motor Mount	**	505773	2	Aglite-Grit 500 Brush
19		4	1/2-13 x 1-3/4 Hex Head Bolt	**	505774	2	Prolene Brush
20	376844	4	Lift Arm	**	505775	2	Prolite Brush
21	367168	4	Sleeve Bearing	**	505776	2	Union Mix Brush
22	367206	4	Bushing	**	505777	2	MidGrit 240 Brush
23		4	1/2 Flat Washer	**	505778	2	MidLite 180 Brush
24		4	1/2 Lock Washer				
25		4	1/2-13 Lock Nut				
26	376111	2	Handle Lock				
27	152811	2	Collar				

* = Not Shown

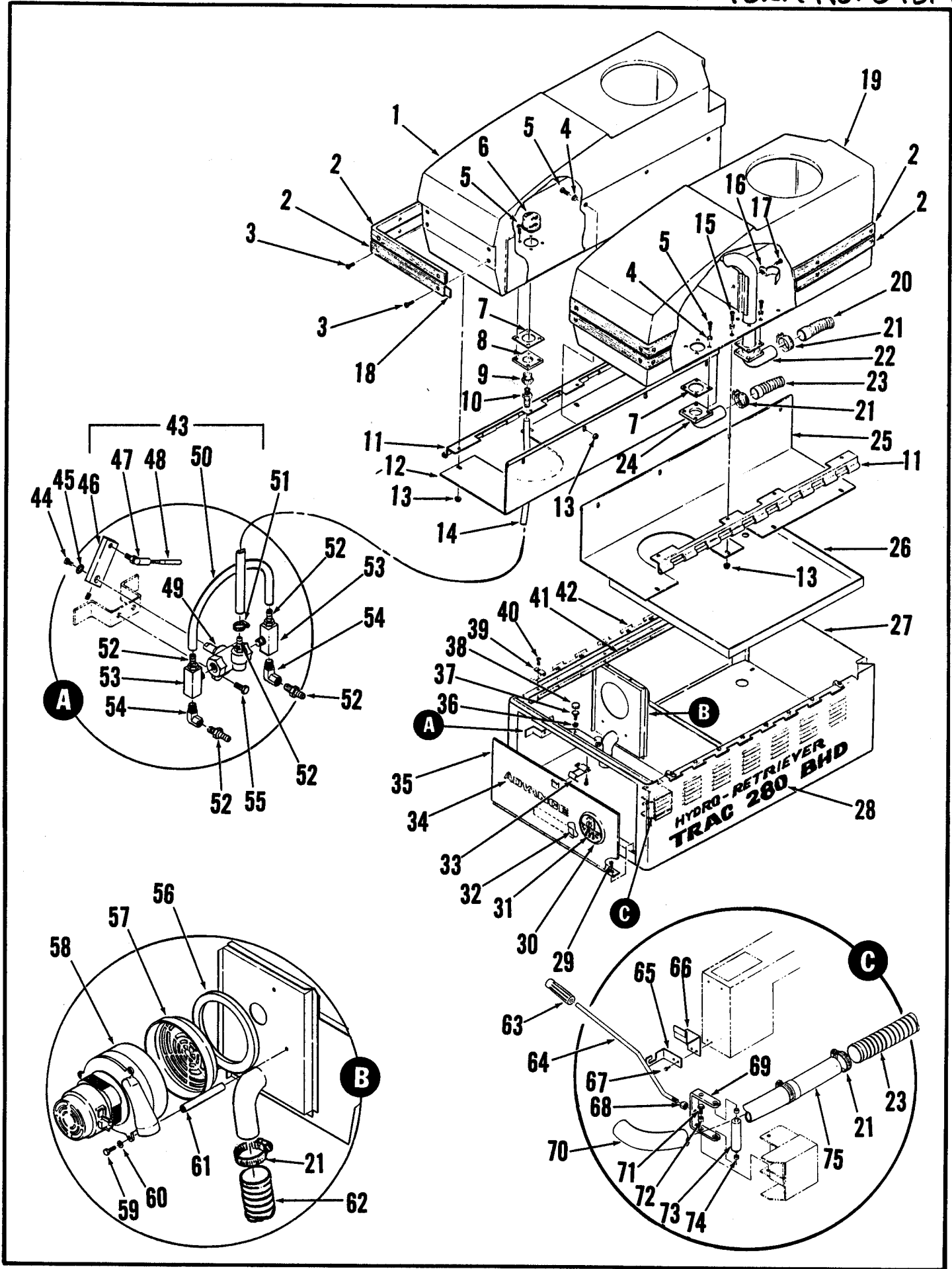
** = Optional, Not Included



BRUSH LIFT ASSEMBLY

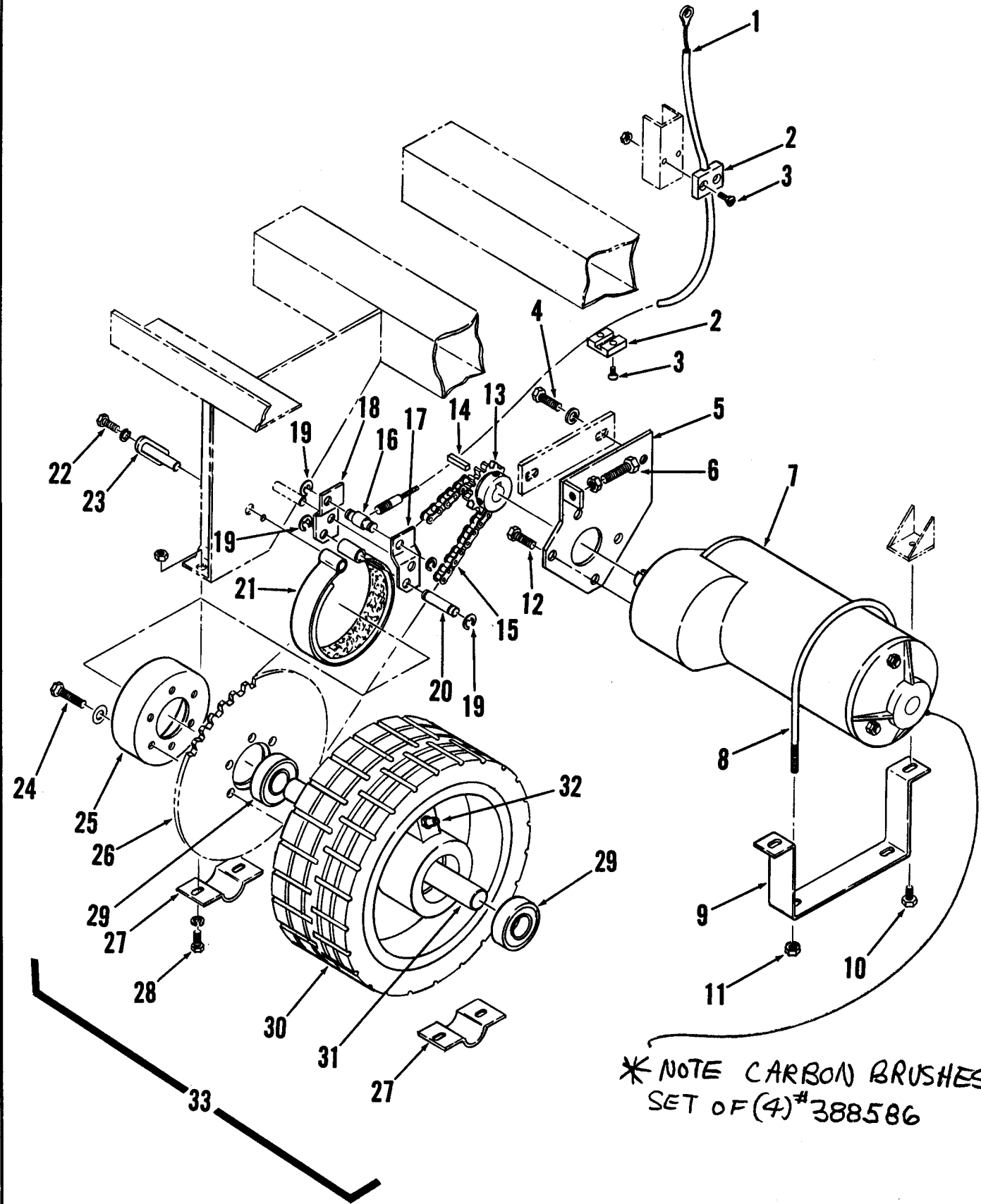
Item	Part No.	Qty	Description	Item	Part No.	Qty	Description
1	376830	1	Motor Mount	25	376836	1	Center Arm
2		6	5/16 Lock Washer	26	367192	2	Washer
3		2	5/16-18 x 1/2 Hex Hd Screw	27	376770	1	Upright Bracket
4		4	1/4-20 x 3/8 Hex Hd Screw	28	360627	2	Bushing
5		1	5/16-18 Whiz Nut	29	370878	2	Sleeve Bearing
6	376952	1	Hose Clamp	30		2	1/2-13 x 1-1/4 Hex Hd Bolt
7	376816	1	Valve Lever Latch	31		2	3/8-16 x 1/2 Flange Hd Screw
8	206784	2	Bushing	32		2	3/8 Lock Washer
9		2	1/4-20 x 1/2 Hex Hd Screw	33	390925	A/R	Shim
10	321427	2	Retaining Ring	34		1	1/4-20 x 1 Hex Hd Screw
11	388672	1	Pin	35		1	1/4 Flat Washer
12	376366	1	Flat	36	475411	1	Bushing
13	388518	1	Gear Motor TSB 540 - F7	37	376922	1	Push Rod
*	388517	1	Carbon Brush Kit (for 388518)	38	388036	2	Collar
*	470431	1	Carbon Brush Kit (for 391627)	39		2	10-24 x 1/4 Set Screw
14	367117	1	Washer	40		5	10-24 x 3/8 Hex Hd Screw
15	376850	1	Stud	41	376834	1	Switch Cover
16	376880	1	Spring	42		4	6-32 x 1-1/4 Washer Hd Screw
17	376740	1	Lift Bracket	43	388019	1	Switch
18		4	5/16-18 x 7/8 Hex Hd Screw	44	376924	4	Spacer
19		4	5/16 Flat Washer	45	385747	2	Nut Plate
20		1	1/2-13 Hex Jam Nut	46	388532	1	Switch
21	376874	1	Mount	47	376928	1	Switch Bracket
22	376868	1	Alignment Pin	48	491646	1	Flanged Bearing
23	388520	1	Drive Nut				
24	376852	2	Screw				

* = not shown



BATTERY HOUSING AND TANK ASSEMBLIES

Item	Part No.	Qty	Description	Item	Part No.	Qty	Description
1	376586	1	Solution Tank	53	372506	2	Tee
2	376498	4	Bumper, Black	54	369632	2	Elbow
3		28	#10-32 x 3/8 Pan Head Screw	55		2	1/4-20 x 1/2 Hex Head Screw
4	204218	24	Washer	56	385437	1	Gasket
5		16	1/4-20 x 1/2 Brass Screw	57	384898	1	Filter TSB 385 - G10
6	379125	1	Strainer	58	377470	1	Vacuum Motor
7	380763	3	Gasket	*		1	Motor Brush (set of 2)
8	379202	1	Plate	59		3	1/4-20 x 3/4 Hex Head Screw
9	751686	1	Bushing	60		3	1/4 Lock Washer
10	249926	1	Barb	61	377475	3	Stand-Off TSB 385 - G10
11	376490	2	Hinge Assembly	62	376422	1	Hose Assembly
12	376588	1	Tank Support	63	471193	1	Handle Grip
13		24	1/4-20 Whiz Nut	64	376846	1	Valve Handle
14	376444	1	Tube	65	376816	1	Handle Catch
15		8	1/4-20 x 5/8 Brass Screw	66	376952	1	Drain Hose Clamp
16	376493	1	Clamp	67		2	1/4-20 x 1/2 HP-5 Screw
17	209486	1	Screw	68		1	5/16-18 Hex Nut
18	376499	4	Bumper Strap	69	372652	1	Pivot Lever
19	376584	1	Recovery Tank	70	380712	1	Drain Tube
20	376434	1	Hose	71		2	1/4-20 x 1/2 Hex Head Screw
21	329145	5	Hose Clamp	72	368989	2	Bushing
22	376034	1	Recovery Tube	73	372650	1	Roller
23	372222	1	Drain Hose	74	372624	2	Bearing
24	376068	1	Tube	75	204536	1	Hose Coupler
25	376590	1	Tank Support				
26	395136	1	Battery Tray	* = not shown			
27	376782	1	Battery Case				
28	016962	2	Decal, Hydro-Retriever				
29		5	1/4-20 x 3/8 Hex Head Screw				
30	016398	1	Emblem				
31	019950	1	Decal, Trac 280 BHD				
32	025363	1	Decal, Caution				
33	372700	1	Door Latch				
34	030008	1	Decal, Advance				
35	376322	1	Door				
36		2	5/16-18 Hex Nut				
37	401783	2	Tank Leveler				
38	401788	2	Snap-On Cap				
39	381053	4	Hinge Clip				
40		16	#10-24 x 1/2 Hex Head Screw				
41	385414	4	Nut Plate				
42	381070	2	Hinge				
43	376640	1	Valve Assembly				
44		1	#8-32 x 1/4 Pan Head Screw				
45		1	#8 Shakeproof Washer				
46	376028	1	Arm				
47	488290	1	Ball Joint				
48	377002	1	Cable				
49	368881	1	Valve				
50	379108	1	Tube				
51	756364	1	Hose Clamp				
52	155640	1	Barb				

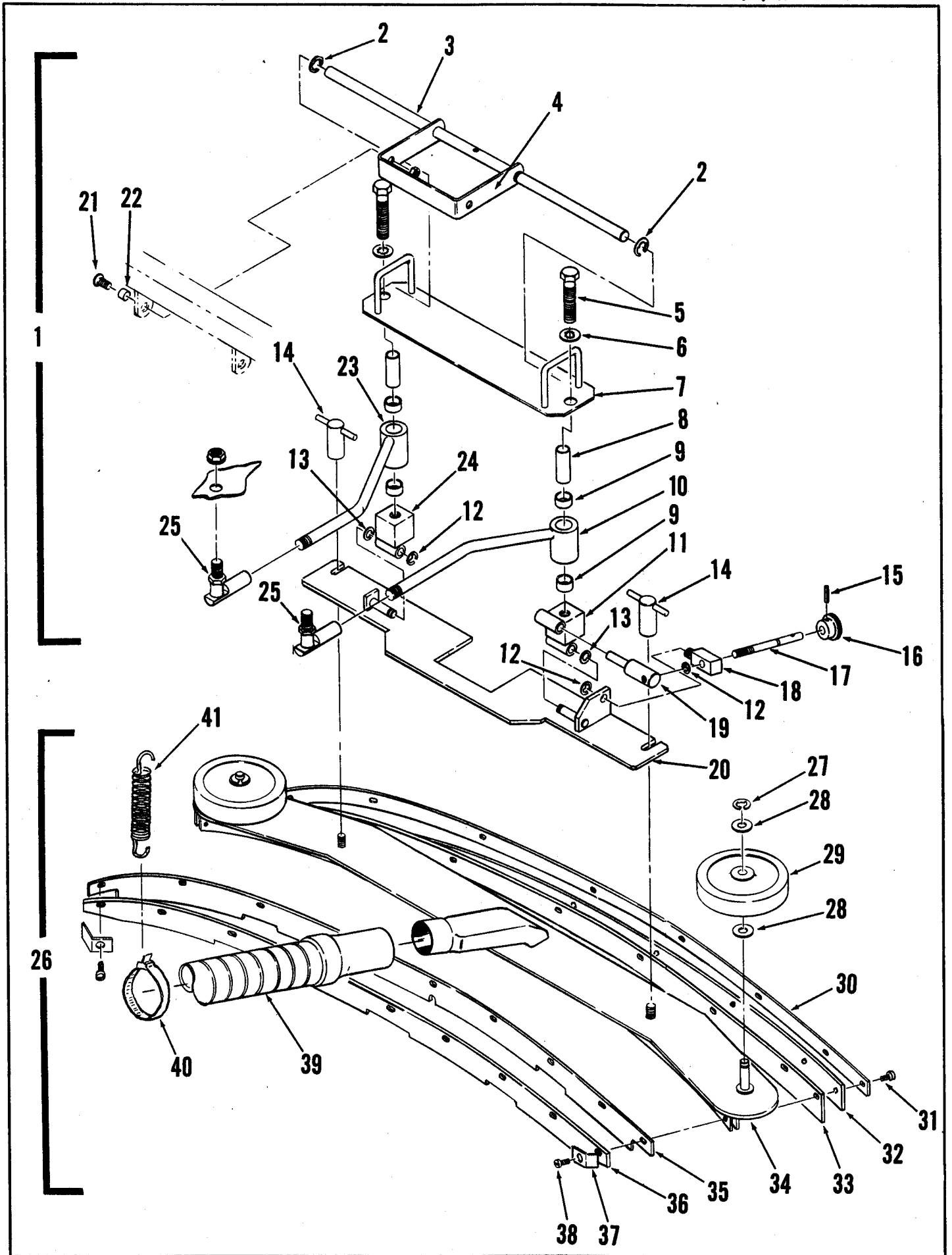


*NOTE CARBON BRUSHES
SET OF (4) #388586

TRACTION DRIVE & BRAKE ASSEMBLIES

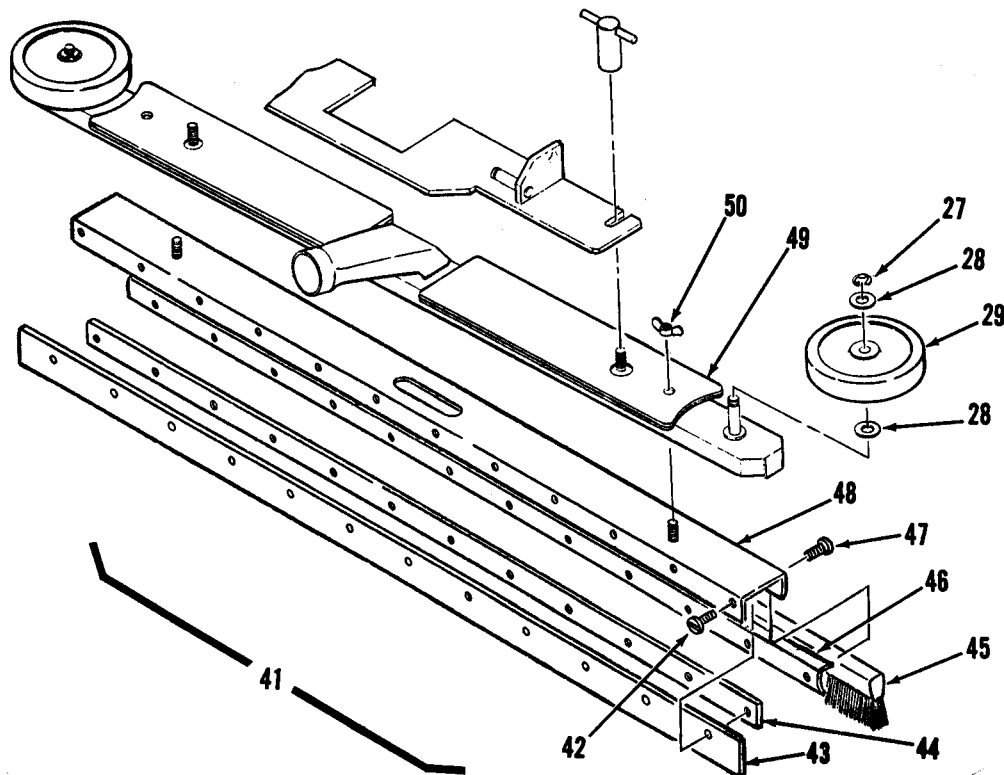
Item	Part No.	Qty	Description
1	376386	1	Brake Cable Assembly
2	477884	2	Cable Clamp
3		4	1/4-20 x 7/8 Flat Head Screw
4		2	3/8-20 x 1 Hex Head Screw
5	376352	1	Bracket
6		1	5/16-18 x 2 Hex Head Screw
7	388585	1	Drive Assembly TSB 424 - G8, TSB 506 - F14
*	388586	1	Carbon Brush (set of 4)
8	388686	1	Motor Clamp
9	376330	1	Hangar Clamp
10		2	1/4-20 x 3/8 HP-5 Hex Head Screw
11		2	5/16-18 Whiz Nut
12		4	3/8-16 x 3/4 Hex Head Screw
13	471148	1	Sprocket
14	740168	1	Square Key
15	377370	1	Roller Chain
16	388674	1	Brake Lever Pin
17	388676	1	Left Brake Lever
18	388678	1	Right Brake Lever
19	321427	4	Retaining Ring
20	388672	1	Grooved Pin
21	402745	1	Brake Strap Assembly
22		2	5/16-18 x 1/2 Hex Head Screw
23	388666	2	Grooved Pin Bracket
24		6	5/16-18 x 1-1/4 Hex Head Screw
25	388702	1	Brake Drum
26	388700	1	Sprocket
27	388937	2	Clamp
28		4	1/4-20 x 1 Hex Head Screw
29	378380	2	Ball Bearing
30	376628	1	Wheel
31	388698	1	Axle
32	344362	1	Grease Fitting

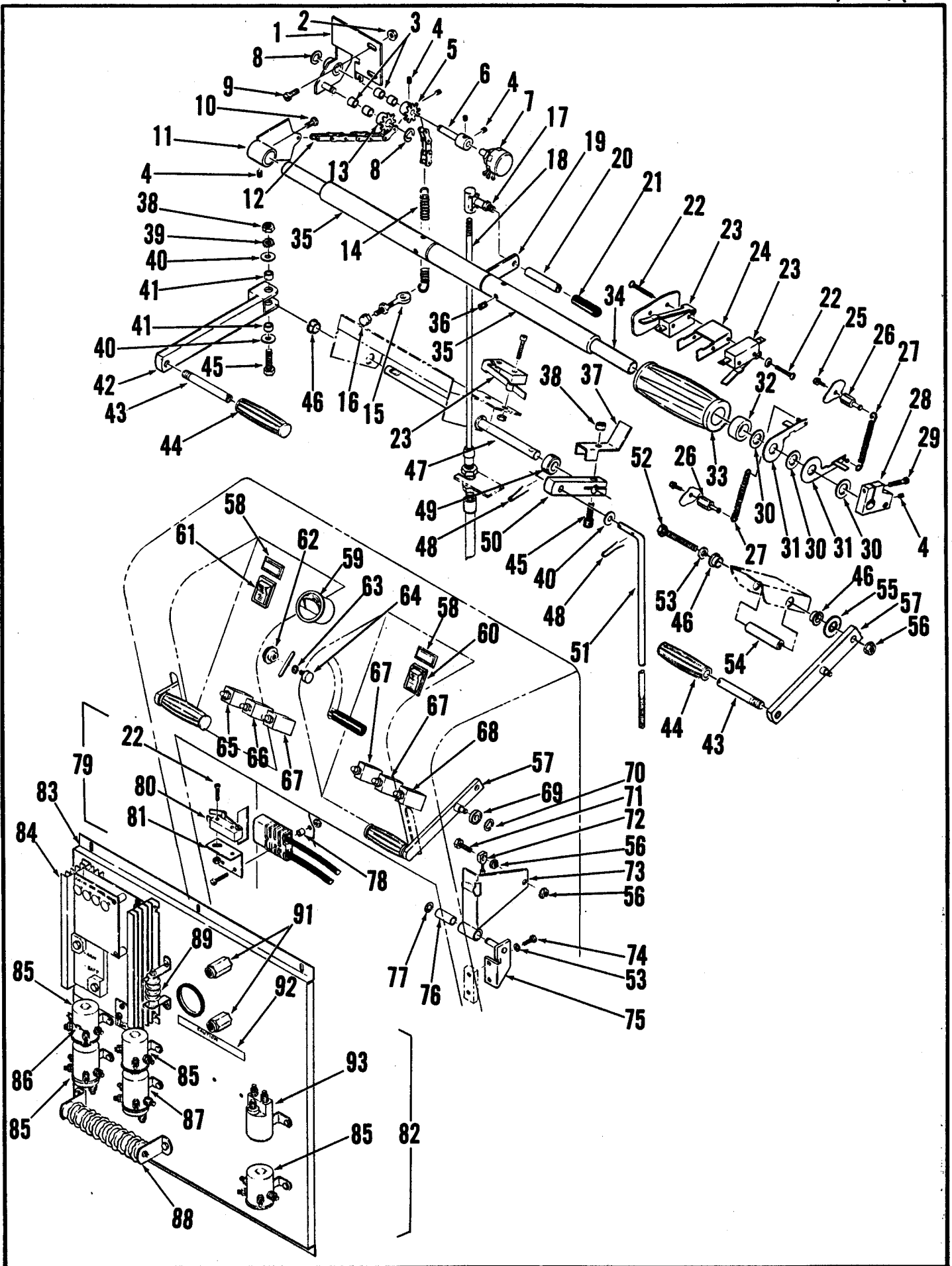
* = not shown



SQUEEGEE ASSEMBLY

Item	Part No.	Qty	Description	Item	Part No.	Qty	Description
1	376390	1	Squeegee Lift Assembly	27	157066	2	Retaining Ring
2	468834	2	Retaining Ring	28	371009	4	Washer
3	376273	1	Rod	29	228102	2	Wheel
4	376274	1	Lever	30	376564	1	Outer Strap
5		2	1/2-13 x 2 1/2 Hex Head Screw	31	209491	9	Screw
6		2	1/2 Shakeproof Washer	32	376566	1	Gum Rubber Blade **
7	376281	1	Bracket	33	376552	1	Squeegee Bracket
8	377752	2	Bushing	34	376570	1	Neoprene Blade **
9	453655	4	Sleeve Bearing	35	376568	1	Plastic Strap **
10	376270	1	Left Arm	36	376632	2	Tab
11	376311	1	Left Pivot Cube TSB 396 - G9	37	209485	9	Screw
12	321427	4	Retaining Ring TSB 396 - G9	38	358560	1	Extension Spring
13	371009	6	Washer TSB 396 - G9	39	376434	1	Squeegee Hose
14	370711	2	Wing Nut TSB 396 - G9	40	478246	1	Wire Tie
15		1	Groove Pin 1/8 x 1 TSB 396 - G9	41	376380	1	Dry Pick-Up Assembly
16	217972	1	Knob TSB 396 - G9	42		12	#8-32 x 3/8 Pan Head Screw
17	376297	1	Adjusting Rod TSB 396 - G9	43	376375	1	Blade
18	376314	1	Adjusting Block TSB 396 - G9	44	376377	1	Strap
19	376315	1	Adjusting Pin TSB 396 - G9	45	376376	1	Brush Strip
20	376300	1	Squeegee Mount TSB 396 - G9	46	376374	1	Plate
21		2	1/4-20 x 7/8 Phil Head Screw	47		12	#8-32 x 1/2 Pan Head Screw
22	368989	2	Bushing	48	376373	1	Channel
23	376269	1	Right Arm	49	376282	1	Squeegee Bracket (Dry use only)
24	376308	1	Right Pivot Cube	50		2	1/4-20 Wing Nut
25	477772	2	Ball Joint	**	376548	1	Squeegee Blade Kit
26	376550	1	Squeegee Assembly				



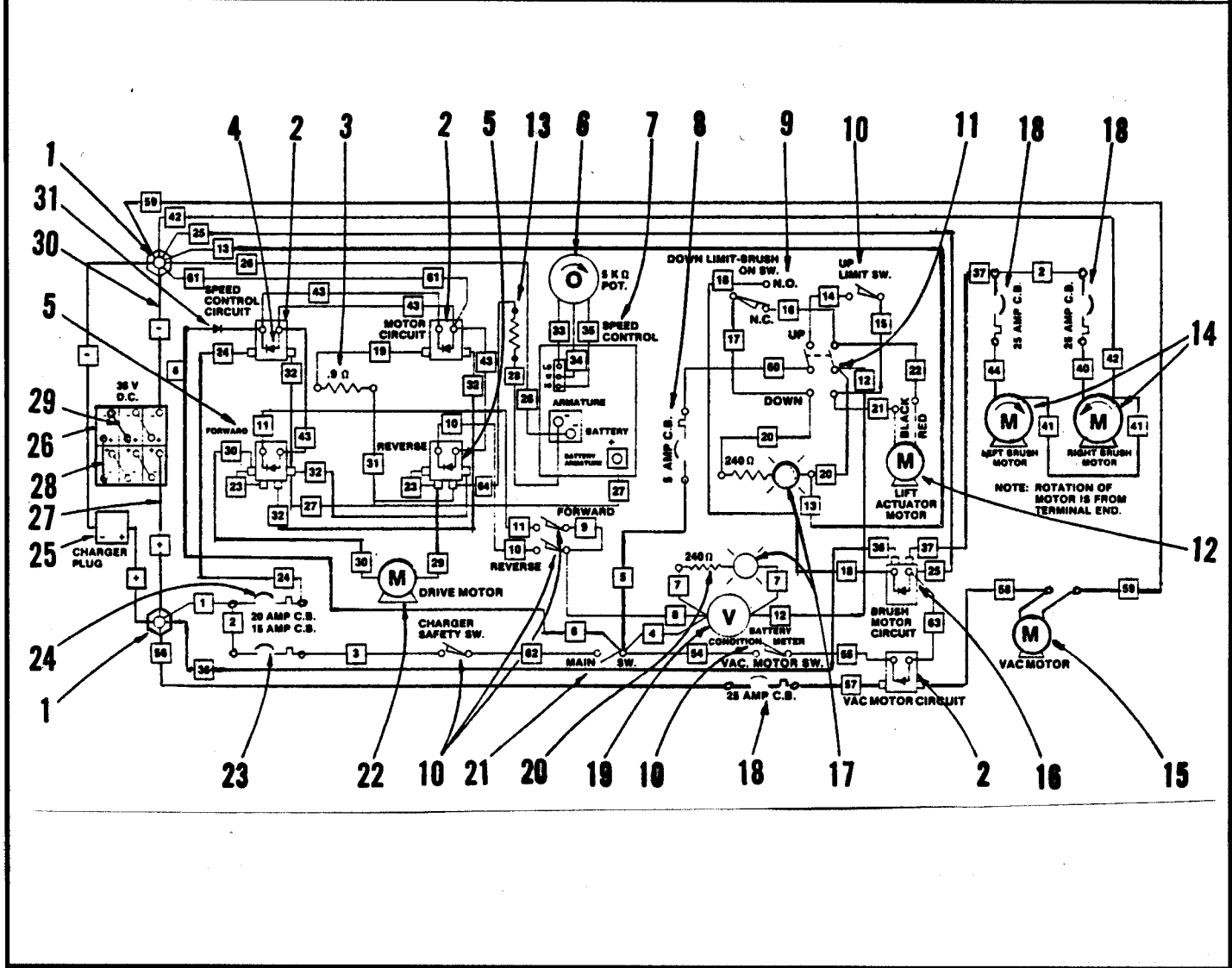


CONTROLS AND HANDLE ASSEMBLY

Item	Part No.	Qty	Description	Item	Part No.	Qty	Description
1	377787	1	Potentiometer Bracket	51	377780	1	Squeegee Lift Rod
2		1	1/4-20 Whiz Nut	52		1	1/4-20 x 2-1/4 Hex Head Screw
3	372624	4	Sleeve Bearing	53		3	1/4 Lock Washer
4		8	10-24 x 3/16 Set Screw	54	376468	1	Pin
5	377797	1	Sprocket	55		1	1/2 Flat Washer
6	377791	1	Pin	56		1	1/4-20 Whiz Nut
7	454740	1	Potentiometer	57	376680	1	Lever
8	321125	3	Retaining Ring	58	467410	2	Indicator Light
9		2	1/4-20 x 5/8 Pan Head Screw	59	448677	1	Battery Condition Meter
10		1	10-24 x 3/4 Pan Head Screw	60	377003	1	Rocker Switch
11	377784	1	Actuator Lever	61	376348	1	Rocker Switch
12	377793	1	Roller Chain	62	387670	1	Knob
13	377796	1	Sprocket	63	200190	1	Fiber Washer
14	358560	1	Spring	64	387668	1	Stud
15	388599	1	Eye Bolt	65	180275	1	Circuit Breaker, 15A
16		1	10-24 Acorn Nut	66	395454	1	Circuit Breaker, 20A
17	488290	2	Ball Joint	67	469788	3	Circuit Breaker, 25A
18	376320	1	Solution Control Cable	68	387328	1	Circuit Breaker, 5A
19	376060	1	Solution Control Lever	69	228051	1	Bearing
20	376066	1	Solution Control Handle	70	373797	1	Retaining Ring
21	376486	1	Grip	71		1	1/4-20 x 1 Hex Head Screw
22		8	6-32 x 1 Rd Head Screw	72	376386	1	Cable Assembly
23	388019	3	Switch	73	376696	1	Brake Lever
24	388576	1	Switch Bracket	74		2	1/4-20 x 1/2 Hex Head Screw
25		2	10-24 x 3/8 Hex Head Screw	75	376692	1	Pivot Bracket
26	377436	2	Pin	76	200972	1	Bushing
27	365769	2	Spring	77	321427	1	Retaining Ring
28	377438	1	Clamp	78	373040	2	Bushing
29		1	10-24 x 3/4 Soc Head Screw	79	376432	1	Charger Plug Assembly
30	151858	3	Thrust Washer	80	376433	1	Switch
31	388562	2	Switch Arm	81	389270	1	Switch Bracket
32	377434	1	Collar	82	376316	1	Electrical Panel Assembly
33	388543	2	Handle Grip	83	376318	1	Electrical Panel
34	388578	1	Handle Tube	84	388521	1	Speed Control TSB 472 - G6
35	388580	2	Tube	85	395452	3	Contacto
36		4	8-32 x 1/4 Set Screw	86	389265	6	Rectifier Assembly
37	376277	1	Switch Actuator	87	388534	2	Solenoid
38		2	1/4-20 Hex Nut	88	467470	1	Resistor
39		2	1/4 Shakeproof Washer	89	389302	1	Resistor Assembly
40		4	1/4 Flat Washer	90	344621	1	Grommet
41	151106	2	Bushing	91	469858	2	Insulated Stand-Off
42	377770	1	Lever	92	025363	1	Decal, Caution
43	376254	2	Pin				
44	471193	2	Grip				
45		2	1/4-20 x 1-1/2 Soc Head Screw				
46	376248	4	Nylon Bearing				
47	376275	1	Rod				
48		2	1/16 x 1 Cotter Pin				
49	232408	1	Collar				
50	377782	1	Lever				

WIRING DIAGRAM

Item	Part No.	Qty	Description	Item	Part No.	Qty	Description
1	469858	2	Stand-Off	18	469788	3	Circuit Breaker, 25 Amp
2	395452	3	Contactor	19	448677	1	Battery Condition Meter
3	467470	1	Resistor	20	395404	2	Resistor
4	389265	6	Rectifier Assembly	21	376348	1	Switch
5	388534	2	Solenoid	22	388585	1	Drive Motor
6	454740	1	Potentiometer	23	180275	1	Circuit Breaker, 15 Amp
7	388521	1	Speed Control TSB 472 - G6	24	395454	1	Circuit Breaker, 20 Amp
8	387328	1	Circuit Breaker, 5 Amp	25	376432	1	Charger Plug Assembly
9	388532	1	Switch	*	371408	1	Charger Plug only
10	388019	5	Switch	26	376014	6	Battery
11	377003	1	Switch	27	376470	1	Battery Cable
12	388518	1	Motor	28	363936	1	Battery Cable
13	389302	1	Resistor Assembly	29	363928	4	Battery Cable
14	376025	2	Brush Drive Motor TSB 450 - G7, TSB 515 - F12	30	376472	1	Battery Cable, Negative
15	377470	1	Vacuum Motor	31	389299	1	Diode Wire Assembly
16	395450	1	Contactor	*	372673	12	Battery Terminal Boot
17	467410	2	Indicator Light				* = not shown



377470 VACUUM MOTOR

Item	Part No.	Qty	Description
------	----------	-----	-------------

1	203591	1	Cooling Fan
2	377473	1	Carbon Brush (Set of 2)
3	228051	2	Ball Bearing
4	203461	1	Neoprene Washer
5	372584	1	Spacer
6	372586	1	Fan
7	372588	3	Rotating Fan
8	203516	2	Spacer
9	377485	1	Stationary Fan
10	377486	1	Stationary Fan
11	377487	1	Fan Shell

