



# Electronic Service Manuals

This electronic document is provided as a service to our customers. We do not create the contents of the information contained in this document. Should you have detailed questions pertaining to the information contained in this document, you may contact Michco, or the manufacturer which provided the original information in this electronic deliverable. Michco's only part in this electronic deliverable was the electronic assembly process.

You may contact Michco through the following methods:  
Phone (517) 484-9312 or (800) 331-3339 MI, OH, IN only  
2011 N. High St. -- Lansing, Michigan -- 48906  
Fax: (517) 484-9836  
Email: [CustServ@Michco.com](mailto:CustServ@Michco.com)  
Web site: [www.Michco.Com](http://www.Michco.Com)  
Parts Web site: [www.FloorMachineParts.Com](http://www.FloorMachineParts.Com)

Order Parts on Line at:  
**[www.FloorMachineParts.Com](http://www.FloorMachineParts.Com)**

Directly to Parts & Service:  
By Email: **[Shop@Michco.com](mailto:Shop@Michco.com)**  
By Fax: (517) 702-2041  
By Voice: Use numbers above.

**Serving the Cleaning Industry Since 1922**

Notice: All copyrighted material remains property of original owners, all trademarks are property of respective owners. Manuals are subject to Manufacturer's reproduction limitations. Originals or reproductions were provided by manufacturers through a request. We make no warranty as to the correctness of information provided in this document and you assume all risk.

**Convertamatic**

**Model Trac 280  
Form No. 042 096**

**Serial No. 963 541**

**December, 1983**

**REVISED 2/84**

# **PARTS LIST**



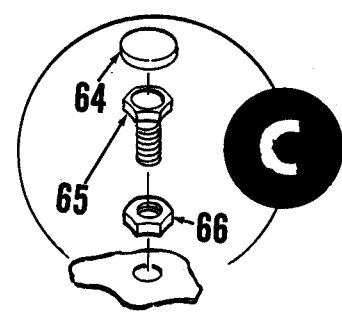
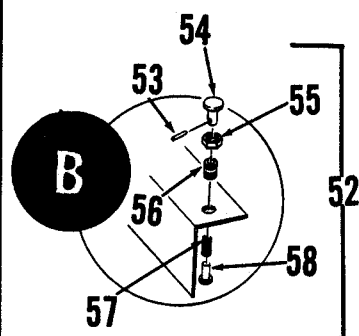
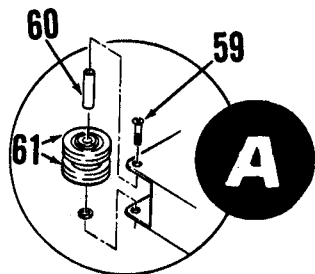
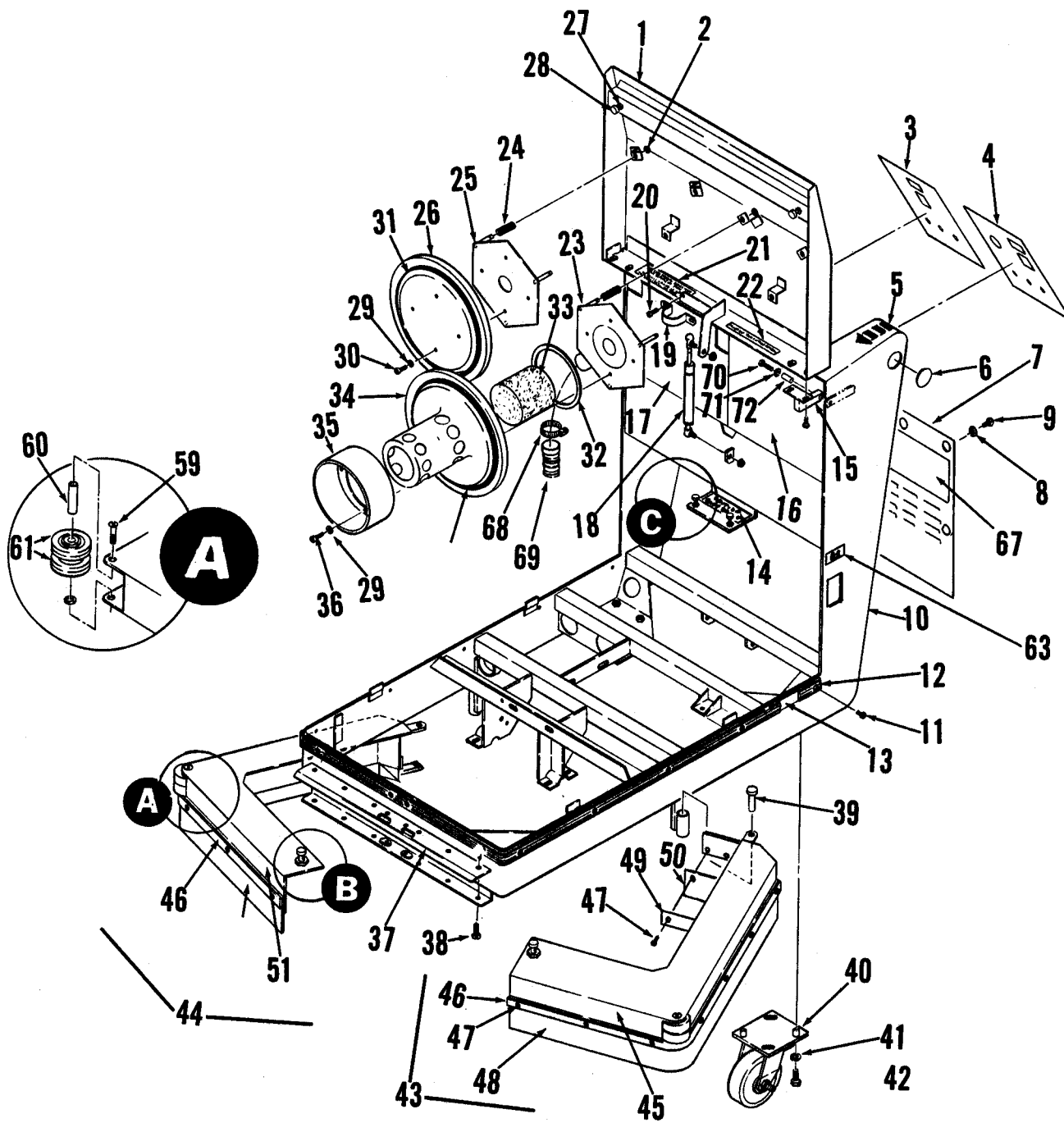
**ADVANCE  
MACHINE COMPANY**

**INTERNATIONAL HEADQUARTERS**, Spring Park, Minnesota 55384-0275  
**EUROPE**, 4 Rue Jean Engling, L-1466 Luxembourg  
**CANADA**, 1295 Crestlawn Drive, Mississauga, Ontario L4W 1A9



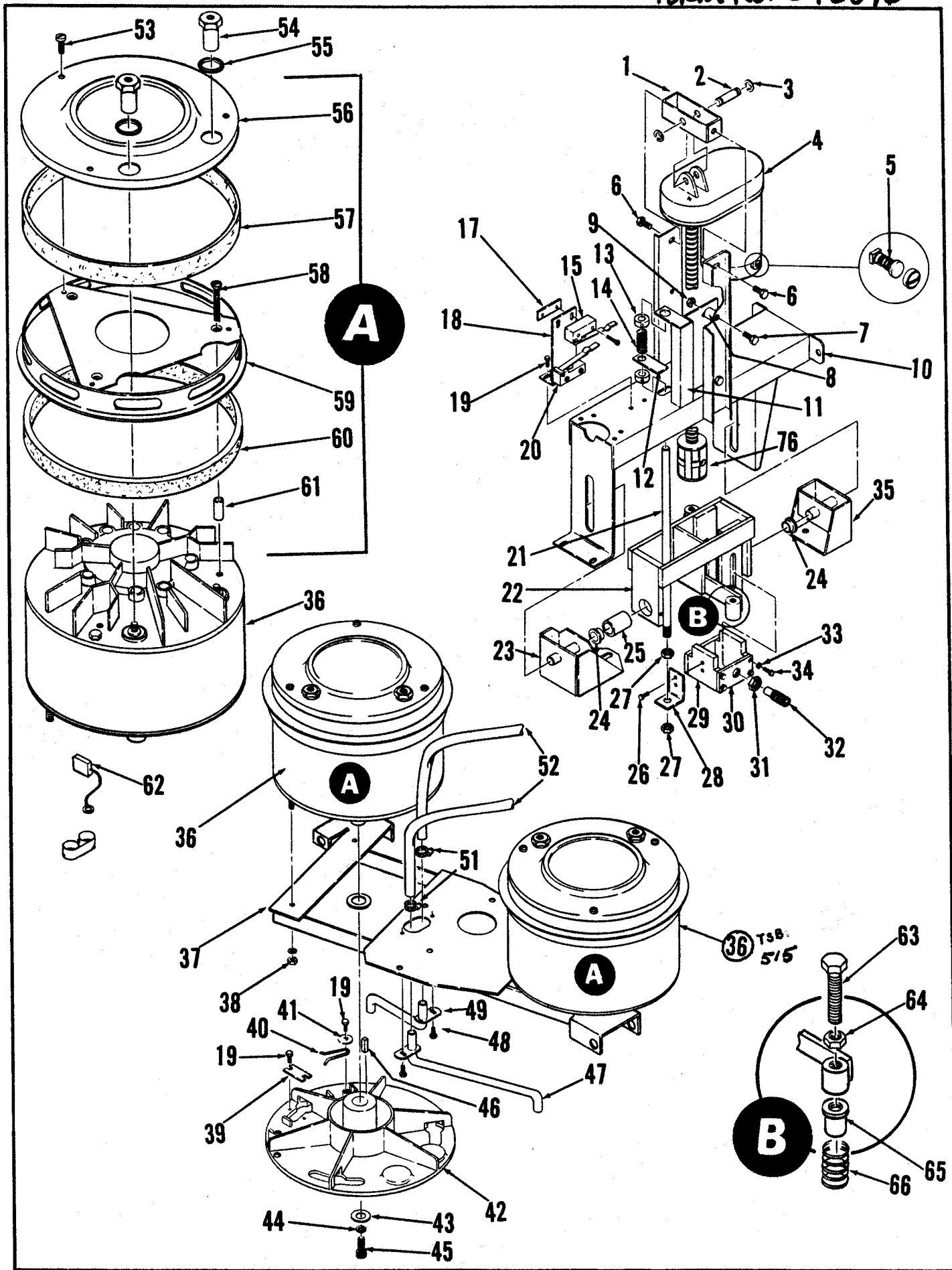
## INDEX FOR FORM NUMBER 042096

<u>Description</u>	<u>Location</u>	<u>Page</u>
Brush Drive	D3	3
Brush Locks	D4	4
Chassis, Hood & Skirts	D1	1
Control Handle & Electrical Panel	D11	11
Squeegee	D9	9
Vacuum Motor, Tanks & Battery Housing	D7	7
Vacuum Motor (internal parts)	D8	8
Wheel Drive & Brake	D5	5
Wiring Diagram	D13	13



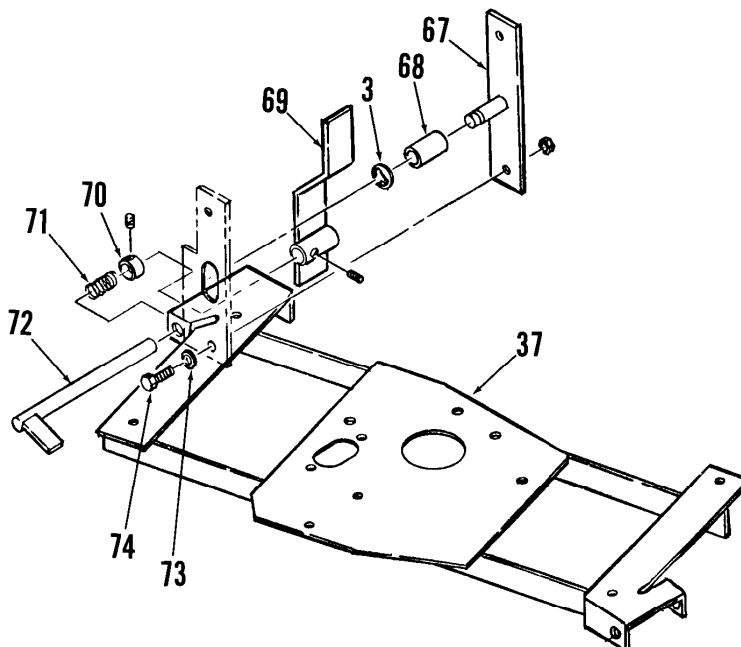
## CHASSIS, HOOD AND SKIRTS

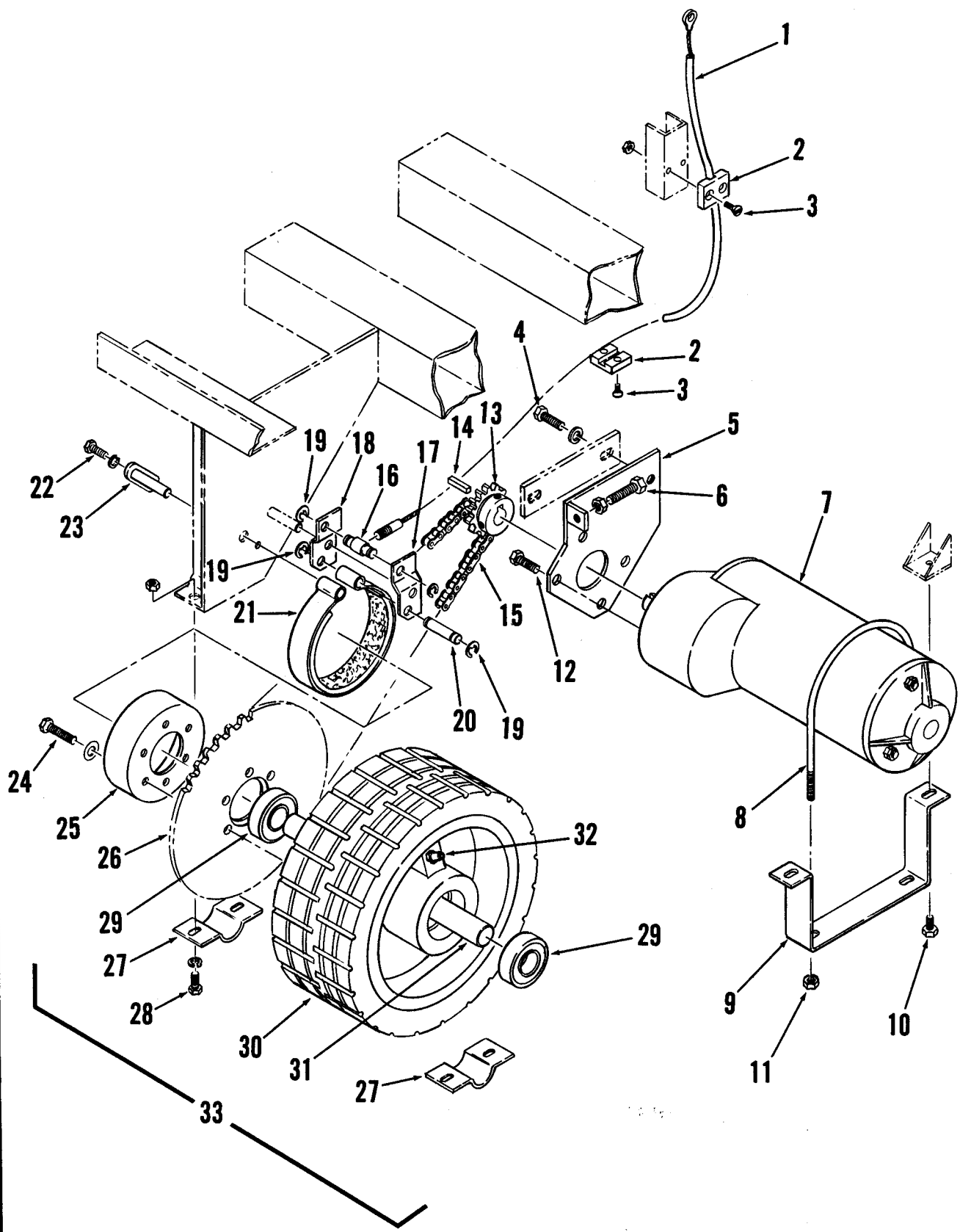
Item	Part No.	Qty	Description	Item	Part No.	Qty	Description
1	376042	1	Hood	38		6	1/4-20 x 1/2 Screw
2	321125	6	Retaining Ring	39	360147	1	Pin, Hinge
3	016944	1	Decal, Control Panel	40	470582	2	Caster, Swivel
4	016942	1	Decal, Control Panel	41		8	Washer, Lock
5	025286	2	Decal, Arrow	42		8	1/4-20 x 3/4 Screw
6	388608	2	Button, Plug	43	376070	1	Skirt Assembly, Left
7	376402	1	Panel, Rear Door	44	376072	1	Skirt Assembly, Right
8	449340	5	Washer, Finishing	45	376380	1	Skirt Frame, Left
9		5	10-24 x 3/8 Screw HP-5	46	376074	2	Strap
10	376140	1	Chassis	47	372929	22	10-24 Screw Brass
11		14	10-24 x 3/4 Screw	48	376076	2	Blade
12	376576	1	Bumper	49	376466	2	Strap
13	376426	1	Strap	50	376464	2	Blade
14	016116	1	Decal, Caution	51	376078	1	Skirt Frame, Right
15	376052	2	Hinge, Hood	52	365548	2	Lock Pin Assembly
16	376370	1	Panel, Inside	53	201472	2	Pin
17	376372	1	Panel, Inside	54	231435	2	Knob
18	385238	1	Cylinder, Hood	55	201413	1	Nut, Hex
19	376428	1	Clamp	56	201383	1	Socket
20		2	10-24 x 3/8 Screw	57	201448	1	Spring
21	016185	1	Decal, Low Sudsing	58	201391	1	Pin
22	025339	1	Decal, Tank	59		2	1/4 -20 x 2-1/2 Screw
23	379197	1	Mount, Centering	60	386823	2	Bushing
24	379170	6	Spring	61	324499	4	Wheel
25	379192	1	Mount, Centering	62		2	Washer, Shakeproof
26	376008	1	Cover	63	016324	1	Decal, Charger Plug
27		2	1/4-20 Nut, Hex	64	401788	2	Cap, Snap-On 3/4 Hex
28	386312	2	Stop, Hood .812 Dia.	65	401783	2	Leveler, Tank
29		8	10 Washer, SAE Brass	66		2	5/16-18 Nut, Hex
30		4	10-24 x 3/8 Screw Brass	67	016948	1	Decal, Wiring Diagram
31	376496	2	Gasket 10.38 x 11.38	68	329145	1	Clamp, Hose
32	385247	1	Gasket .12 x .50 x 12.2	69	376422	1	Hose, Vacuum
33	385198	1	Float, Foam Cylinder	70		2	1/4-20 x 1-1/2 Screw
34	376306	1	Cover	71		2	1/4 Flat Washer
35	376010	1	Deflector	72	471220	2	Bushing
36		4	10-24 x 5/8 Screw Brass				
37	376090	1	Plate, Locking				



# BRUSH DRIVE

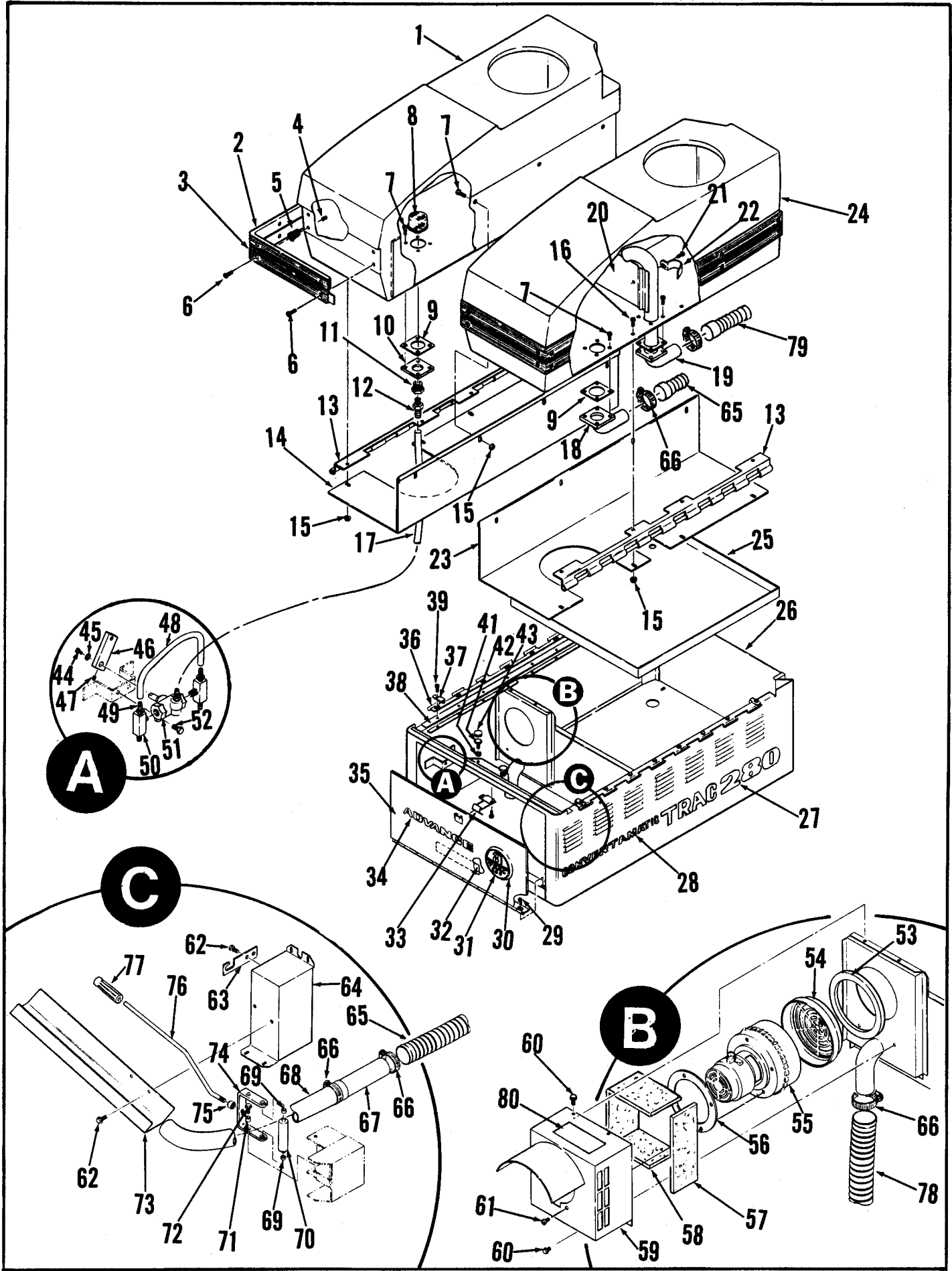
Item	Part No.	Qty	Description	Item	Part No.	Qty	Description
1	376366	1	Flat	39	366455	2	Stop, Plate
2	388672	1	Pin	40	366463	2	Spring, Retainer
3	321427	3	Ring, Retaining	41	151114	2	Washer
4	388518	1	Motor, Gear <b>TSB 540 - F4</b>	42	364042	2	Holder, Brush
5	388517	1	Carbon Brush kit (for 388518)	43	180200	2	Washer
*	470431	1	Carbon Brush kit (for 391627)	44		2	5/16 Lock Washer
6		2	1/4 20 x 1/2 Screw HP-5	45	180196	2	5/16-24 x 1 Screw
7		2	10-24 x 1 Screw	46	740168	2	Key, Square .18 x 1
8	109037	2	Bushing	47	376346	1	Pipe Weldment
9		2	10-24 Nut, Hex	48		4	5/16-18 x 1/2 Screw
10	375388	1	Lift, Brush	49	376344	1	Pipe Weldment
11	376437	1	Bracket, Guide	50	376192	2	Washer
12	376475	1	Bar	51	756364	2	Clamp, Hose SAE #4
13	331076	2	Collar W/10-24 x 1/4 Set Screw	52	376444	2	Tube .38 x 19
14	228142	1	Spring	53		8	10-24 x 1/2 Screw
15	333019	1	Switch, Snap SPST	54	386988	4	Stand-Off
16		4	6-32 x 1 Screw	55	760212	4	Grommet
17	385747	2	Nut Plate	56	386691	2	Cover
18	376038	1	Bracket, Switch	57	180032	2	Filter
19		8	10-24 x 3/8 Screw HP-5	58		6	10-24 x 1 Screw
20	383532	1	Switch, Snap SPDT	59	180008	2	Bracket, Motor
21	388816	1	Rod, Lift	60	206058	2	Gasket, Motor
22	375120	1	Bracket, Centering	61	207489	6	Bushing
23	376094	1	Pin Bracket, Front	62	386313	1	Brushes, Motor (set of 4)
24	185264	2	Bearing, Flange			4	Spring, Motor Brushes
25	376442	1	Bushing	63		2	5/16-18 x 3 Screw
26		2	10-24 x 3/4 Screw	64		2	5/16-18 Nut, Hex
27		1	3/8-16 Nut, Flange	65	388833	2	Guide
28	376479	1	Guide, Rod	66	171123	2	Spring, Compression
29	376450	2	Plate	67	377236	2	Bracket, Brush Lock
30	376448	2	Bar	68	249952	2	Bushing
31		2	1/2-13 Nut, Hex	69	377230	2	Handle, Brush Lock
32	388827	2	Screw	70	152811	2	Collar
33		14	1/4 Washer, Shakeproof	71	171123	2	Spring
34		8	1/4-20 x 1 Screw	72	376111	2	Shaft Lock
35	376096	1	Pin Bracket, Rear	73		4	1/4 Flat Washer
36	376016	2	Motor, 36V DC <b>TSB 515 - F9</b>	74		4	1/4-20 x 3/4 Screw
37	376106	1	Plate, Motor Mounting	75	016974	2	Decal, Brush Lock (not shown)
38		6	1/4-20 Nut, Hex	76	388520	1	Drive Nut





## TRACTION DRIVE & BRAKE ASSEMBLY

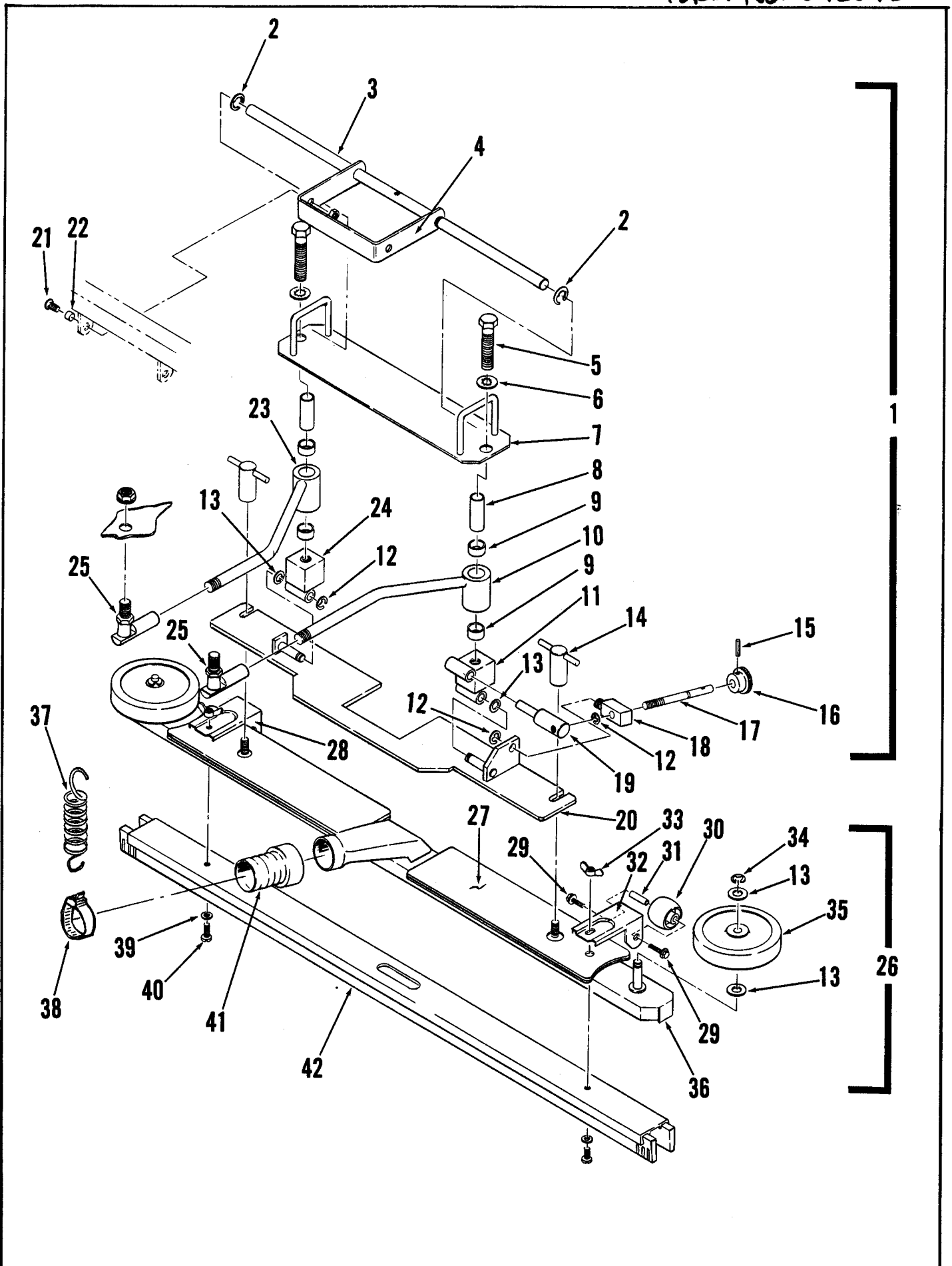
Item	Part No.	Qty	Description
1	376386	1	Cable Assembly, Brake
2	477884	2	Clamp, Cable
3		4	Screw, Flat Hd 1/4-20 x 7/8 with Hex Nut
4		2	Screw, Hex Hd 3/8-20 x 1 with Lock Washer
5	376352	1	Bracket, Motor Mount
6		1	Screw, Hex Hd 5/16 - 18 x 2 with Hex Nut
7	388510	1	Drive Assembly 3/4 HP <b>TSB 424 - G7</b>
	388515	1	Motor 3/4 HP 36V <b>TSB 506 - F11</b>
	386263	1	Carbon Brush Set
8	388683	1	Clamp, Motor
9	376330	1	Clamp, Motor Hangar
10		2	Screw, Hex Hd 1/4-20 x 3/8 HP5
11		2	Nut, Hex Whiz 5/16-18
12		4	Screw, Hex Hd 3/8-16 x 3/4
13	388688	1	Sprocket
14	740168	1	Key, Square
15	468884	1	Chain, Roller
16	388674	1	Pin, Brake Lever
17	388676	1	Brake Lever - Left
18	388678	1	Brake Lever - Right
19	321427	4	Ring, Retaining
20	388672	1	Pin, Grooved
21	402745	1	Brake Strap Assembly
22		2	Screw, Hex Hd 5/16 18 x 1/2 with Lock Washer
23	388666	2	Bracket, Grooved Pin
24		6	Screw, Hex Hd 5/16-18 x 1-1/4 with Flat Washer
25	388702	1	Drum, Brake
26	388700	1	Sprocket
27	388937	2	Clamp
28		4	Screw, Hex Hd 1/4-20 x 1 with Lock Washer & Nut
29	378380	2	Bearing, Ball
30	376628	1	Wheel
31	388698	1	Axle
32	344362	1	Fitting, Grease
33	376626	1	Wheel Assembly



## VAC MOTOR, TANKS & BATTERY HOUSING

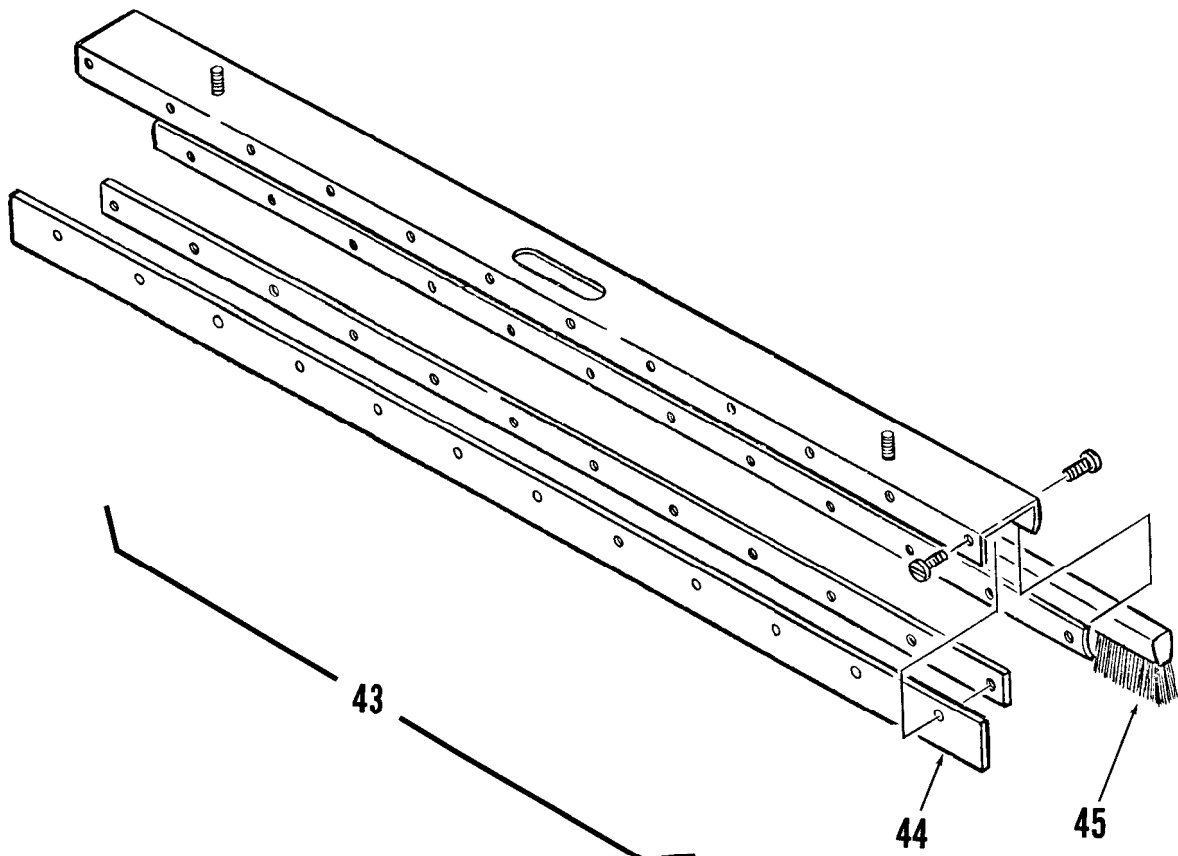
Item	Part No.	Qty	Description	Item	Part No.	Qty	Description
1	376004	1	Tank, Solution	54	384898	1	Filter
2	376499	4	Strap, Bumper	55	202305	1	Motor, Vacuum <b>TSB 357 - G11</b>
3	376498	4	Bumper, Black	56	209325	1	Gasket
4	376616	28	Cap, Rubber	57	376396	1	Foam, Acoustical
5	376608	28	10-32 Well Nut	58	376398	1	Foam, Acoustical
6	376614	28	10-32 x 1 Screw SS	59	376360	1	Mount, Vacuum Motor
7		20	1/4-20 x 1/2 Screw Brass	60		4	10-24 x 3/8 Screw
8	379125	1	Strainer	61		4	8-32 x 3/8 Screw
9	380763	3	Gasket	62		4	1/4-20 x 3/8 Screw
10	379202	1	Plate	63	376440	1	Latch, Handle
11	751686	1	Bushing 3/4 x 3/8 Brass	64	376438	1	Guard
12	249926	1	Barb 3/8 x 3/8 Nylon	65	372222	1	Hose, Drain
13	376490	2	Hinge Assembly	66	329145	5	Clamp, Hose
14	376590	1	Support, Solution Tank	67	204536	1	Coupler, Hose
15		16	1/4-20 Nut, Flange Whiz	68	380712	1	Tube, Drain
16		8	1/4-20 x 5/8 Screw Brass	69	372624	2	Bearing
17	376444	1	Tube .38 x 19	70	372650	1	Roller, Drain Valve
18	376068	1	Tube Weldment	71	368989	2	Bushing
19	376034	1	Tube, Recovery	72		2	1/4-20 x 1/2 Screw
20	376495	1	Baffle			2	Flat Washer
21	209481	1	10-24 x 3/4 Screw SS	73	376484	1	Channel, Drain Hose
22	376493	1	Clamp	74	372652	1	Pivot, Lever
23	376588	1	Support, Recovery Tank	75		1	5/16-18 Nut, Hex
24	376002	1	Tank, Recovery	76	372956	1	Handle, Valve Lever
25	395136	1	Tray, Battery	77	471193	1	Grip, Handle
26	376220	1	Battery Case	78	376422	1	Hose Assembly, Vacuum
27	016954	2	Decal, Trac 280	79	376434	1	Hose Assembly, Squeegee
28	016952	2	Decal Convertamatic	80	030096	1	Decal Warning
29		5	1/4-20 x 3/8 Screw	81	202591	1	Fan **
30	016398	1	Emblem	82	372572	1	Brush **
31	016950	1	Decal Trac 280	83	202843	1	Spring, Load **
32	025363	1	Decal Caution	84	249735	1	Disc **
33	372700	1	Latch, Door	85	228051	2	Bearing **
34	016519	1	Decal Advance	86	372578	1	Bracket, Fan End **
35	376322	1	Door	87	372580	1	Valve, Check **
36	381070	2	Hinge	88	372582	1	Shell, Air Seal **
37	381053	4	Hinge, Clip	89	372584	1	Spacer **
38	385414	4	Nut Plate	90	372586	1	Fan **
39		16	10-24 x 1/2 Screw	91	372582	2	Fan, Rotating **
40		2	10-24 x 3/8 Screw HP-5	92	203516	1	Spacer **
41		2	5/16-18 Nut, Hex UNC				
42	401783	2	Leveler, Tank				
43	401788	2	Cap, Snap-On 3/4 Hex				
44		1	8-32 x 1/4 Screw				
45		1	8 Shakeproof Washer				
46	376028	1	Arm				
47		1	10-24 x 1/4 Set Screw				
48	379108	1	Tube, Nylon .375 x 7.5				
49	155640	5	Barb 3/8 x 1/4 Brass				
50	372506	2	Tee Branch 1/4 Brass				
51	368881	1	Valve, 3-Way 1/4				
52		2	1/4-20 x 1/2 Screw				
53	385437	1	Gasket				

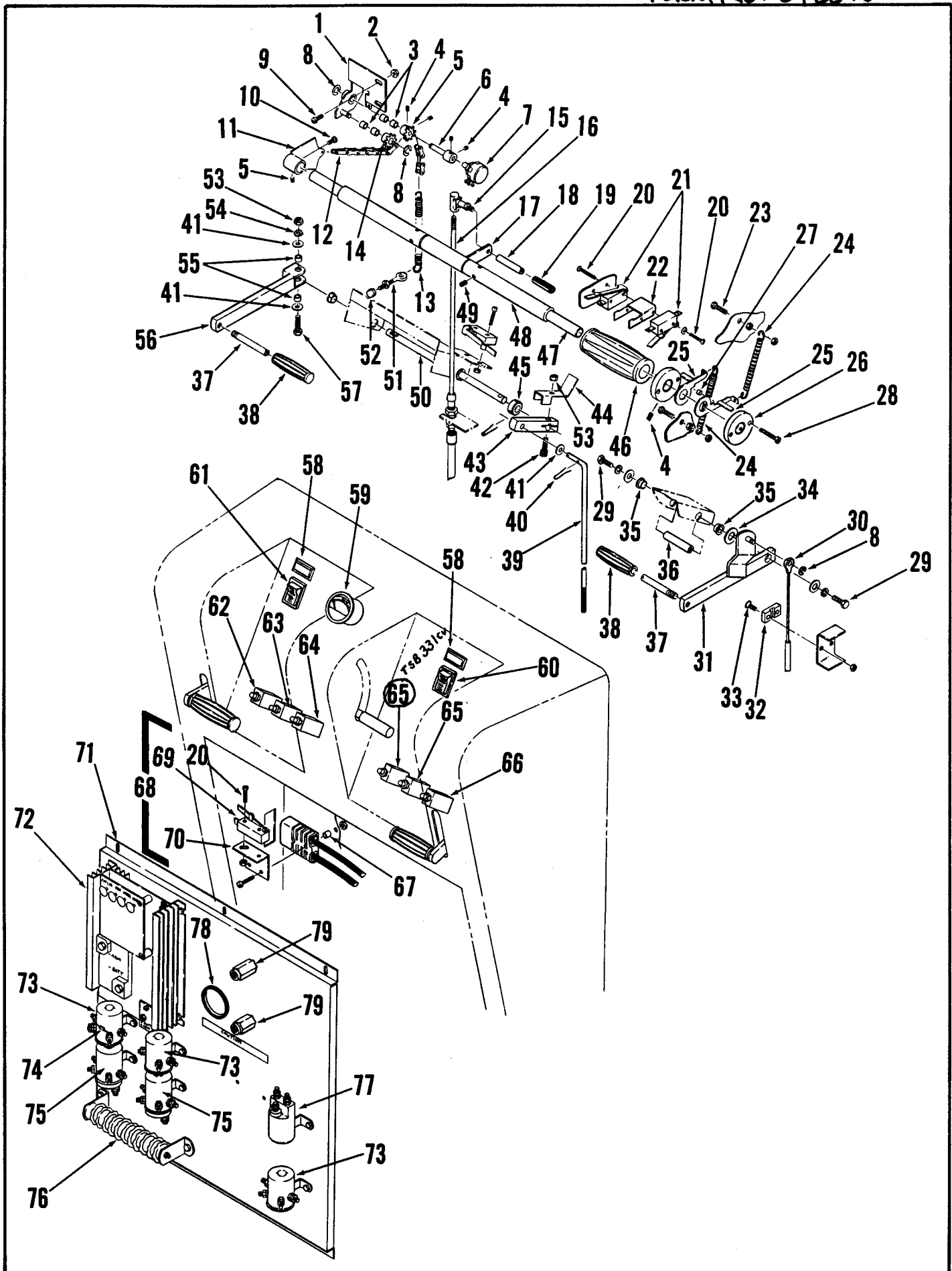
\*\* = Repair Parts for 202305 Vac Motor  
(parts not shown)



# SQUEEGEE ASSEMBLY

Item	Part No.	Qty	Description	Item	Part No.	Qty	Description
1	376390	1	Squeegee Lift Assembly	24	376308	1	Cube, Pivot Right
2	468834	2	Ring Retaining	25	477772	2	Ball Joint
3	376273	1	Rod	26	376280	1	Squeegee Assembly 28"
4	376274	1	Lever	27	376476	2	Plate, Weight
5		2	1/2-13 x 2-1/2 Screw	28	376485	2	Roller Assembly C/O
6		2	1/2 Shakeproof Washer	29		2	8-32 x 3/8 Screw HP-5
7	376281	1	Bracket	30	329554	1	Roller
8	377752	2	Bushing	31	387379	1	Axle
9	453655	4	Bearing, Sleeve	32	376483	1	Plate
10	376270	1	Arm, Left	33		2	1/4-20 Wing Nut
11	376311	1	Cube, Pivot Left	34	157066	2	Ring, Retaining 3/8
12	372427	4	Ring, Retaining 3/8	35	228102	2	Wheel
13	371009	6	Washer	36	376282	1	Channel, Squeegee
14	370711	2	Wing Nut	37	358560	1	Spring, Extension
15		1	Groove Pin 1/8 x 1	38	478246	1	Wire Tie
16	217972	1	Knob	39		2	1/4 Washer, Brass
17	376297	1	Rod, Adjusting	40		2	1/4-20 x 7/8 Screw Brass
18	376314	1	Block, Adjusting	41	376434	1	Hose Assembly, Squeegee
19	376315	1	Pin, Adjusting	42	376288	1	Cartridge, Squeegee 28"
20	376300	1	Squeegee Mount				<b>TSB 590 - F1</b>
21		2	10-24 x 5/8 Screw	43	376380	1	Dry Pick-Up Assembly
		2	10-24 Hex Nut	44	376375	1	Blade, Rubber
22	200123	2	Bushing	45	376376	1	Brush Strip
23	376269	1	Arm, Right				





## CONTROL HANDLE & ELECTRICAL PANEL

Item	Part No.	Qty	Description	Item	Part No.	Qty	Description
1	377787	1	Bracket	47	388578	1	Tube, Handle
2		2	1/4-20 Nut, Whiz	48	388580	2	Tube
3	372624	4	Bearing, Sleeve	49		4	8-32 x 1/4 Set Screw
4		7	10-24 x 3/16 Set Screw	50	376275	1	Rod
5	377797	1	Sprocket	51	388599	1	Eye Bolt
6	377791	1	Pin	52		1	10-24 Nut, Acorn
7	454740	1	Potentiometer	53		2	1/4-20 Nut, Hex
8	321125	3	Ring, Retaining	54		2	Washer, Shakeproof
9		2	1/4-20 x 5/8 Screw	55	151106	2	Bushing
10		1	10-24 x 3/4 Screw	56	377770	1	Lever
11	377784	1	Lever, Actuator	57		1	1/4-20 x 1-1/2 Screw
12	377793	1	Chain, Roller	58	467410	2	Light, Indicator
13	358560	1	Spring, Extension	59	448662	1	Meter, Battery Condition
14	377796	1	Sprocket	60	377003	1	Switch, Rocker
15	488290	1	Ball Joint	61	376348	1	Switch, Rocker
16	376320	1	Cable, Solution Control	62	454538	1	Circuit Breaker 15 A
17	376060	1	Lever, Solution Control	63	395454	1	Circuit Breaker 20 A
18	376066	1	Handle, Solution Control	64	469788	1	Circuit Breaker 25 A
19	876486	1	Grip	65	171554	2	Circuit Breaker 16 A
20		3	6-32 x 1 Screw	66	387328	1	Circuit Breaker 5 A
21	388019	3	Switch, Snap SPST NC	67	373040	2	Bushing
22	388576	1	Bracket, Switch	68	376432	1	Charger Plug Assembly C/O
23		2	1/4-20 x 1-1/2 Screw	69	388013	1	Switch, Snap SPST NC
		2	1/4-20 Nut	70	389270	1	Bracket, Switch
24	365769	2	Spring, Extension	71	376316	1	Electrical Panel Assembly
25	388562	2	Arm, Switch	72	388521	1	Speed Controller, D.C.
26	388574	2	Collar				<b>TSB 472 - G5</b>
27	151092	2	Bushing	73	395452	3	Contacto 36V
28		1	10-24 x 1-1/4 Screw	74	389265	1	Rectifier Assembly
29		2	1/4-20 x 1/2 Screw	75	388534	2	Solenoid, 36V D.C.
		2	1/4-20 Lock Washer	76	467470	1	Resistor .9 Ohms
		2	1/4-20 Flat Washer	77	395450	1	Contacto 36V
30	376386	1	Cable Assembly, Brake	78	344621	1	Grommet
31	376250	1	Lever, Brake	79	469858	1	Insulated Stand-Off
32	477384	2	Clamp Cable				
33		4	1/4-20 x 7/8 Screw				
		4	1/4-20 Hex Nut				
34		1	1/2 Flat Washer				
35	376248	4	Bearing, Nylon				
36	376468	1	Pin				
37	376254	2	Pin				
38	471193	2	Grip				
39	377780	1	Rod, Squeegee Lifter				
40		2	Cotter Pin 1/16 x 1				
41		4	1/4 Flat Washer, SAE				
42		1	1/4-20 x 1-1/2 Screw				
		1	1/4-20 Nut				
43	377782	1	Lever				
44	376277	1	Actuator, Switch				
45	232408	1	Collar				
46	388545	2	Grip, Handle				

# WIRING DIAGRAM

Item	Part No.	Qty	Description	Item	Part No.	Qty	Description
1	469858	2	Stand-Off	18	469788	1	Circuit Breaker, 25 A
2	395452	3	Contactor 36V	19	448662	1	Meter, Battery Condition
3	467470	1	Resistor .9 Ohm	20	395404	2	Resistor Assembly 240 Ohms
4	389265	6	Rectifier Assembly	21	376348	1	Switch, Rocker, Main
5	388534	2	Solenoid 36V DC	22	388510	1	Drive Motor Assembly
6	454740	1	Potentiometer 5K Ohm		388515	1	Motor Only
7	388521	1	Speed Controller, D.C.		386263	1	Carbon Brush Set
8	387328	1	Circuit Breaker, 5 A	23	454538	1	Circuit Breaker 15 A
9	388532	1	Switch, Snap SPDT	24	395454	1	Circuit Breaker 20 A
10	388019	5	Switch, Snap SPST	25	376432	1	Charger Plug Assembly
11	377003	1	Switch, Rocker (Brush Up-Down)		371408	1	Plug Only
12	388518	1	Motor, Lift Actuator	26	376014	6	Battery 6V D.C. (Not included)
13	171554	2	Circuit Breaker, 16 A	27	376470	1	Battery Cable, Positive
14	376016	2	Motor, Brush <b>TSB 515 - F9</b>	28	363936	1	Battery Cable
15	202305	1	Motor, Vacuum	29	363928	4	Battery Cable
16	395450	1	Contactor 36V	30	376472	1	Battery Cable, Negative
17	467410	2	Light, Indicator				

