



Electronic Service Manuals

This electronic document is provided as a service to our customers. We do not create the contents of the information contained in this document. Should you have detailed questions pertaining to the information contained in this document, you may contact Michco, or the manufacturer which provided the original information in this electronic deliverable. Michco's only part in this electronic deliverable was the electronic assembly process.

You may contact Michco through the following methods:
Phone (517) 484-9312 or (800) 331-3339 MI, OH, IN only
2011 N. High St. -- Lansing, Michigan -- 48906
Fax: (517) 484-9836
Email: CustServ@Michco.com
Web site: www.Michco.Com
Parts Web site: www.FloorMachineParts.Com

Order Parts on Line at:
www.FloorMachineParts.Com

Directly to Parts & Service:
By Email: **Shop@Michco.com**
By Fax: (517) 702-2041
By Voice: Use numbers above.

Serving the Cleaning Industry Since 1922

Notice: All copyrighted material remains property of original owners, all trademarks are property of respective owners. Manuals are subject to Manufacturer's reproduction limitations. Originals or reproductions were provided by manufacturers through a request. We make no warranty as to the correctness of information provided in this document and you assume all risk.

CONVERTAMATIC

TRAC 280

THIS PARTS LIST IS FOR MACHINES
AFTER SERIAL NUMBER 092 028

PARTS LIST



ADVANCE
MACHINE COMPANY

INTERNATIONAL HEADQUARTERS, Spring Park, Minnesota 55384-0275

EUROPE, 4 Rue Jean Engling, L-1466 Luxembourg

CANADA, 1295 Crestlawn Drive, Mississauga, Ontario L4W 1A9

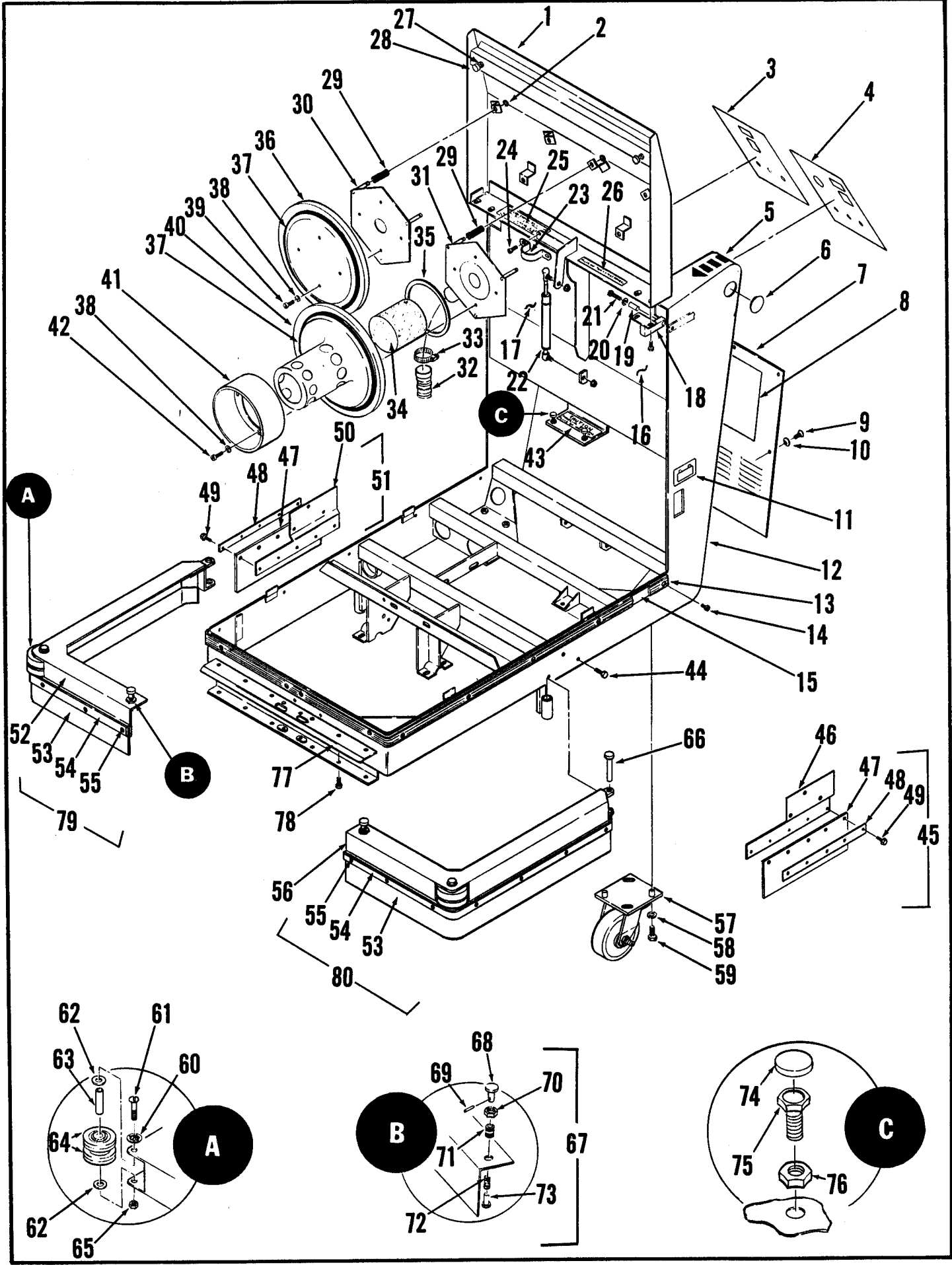
© 1985 Advance Machine Co.

FORM NO. 042 145 12/85



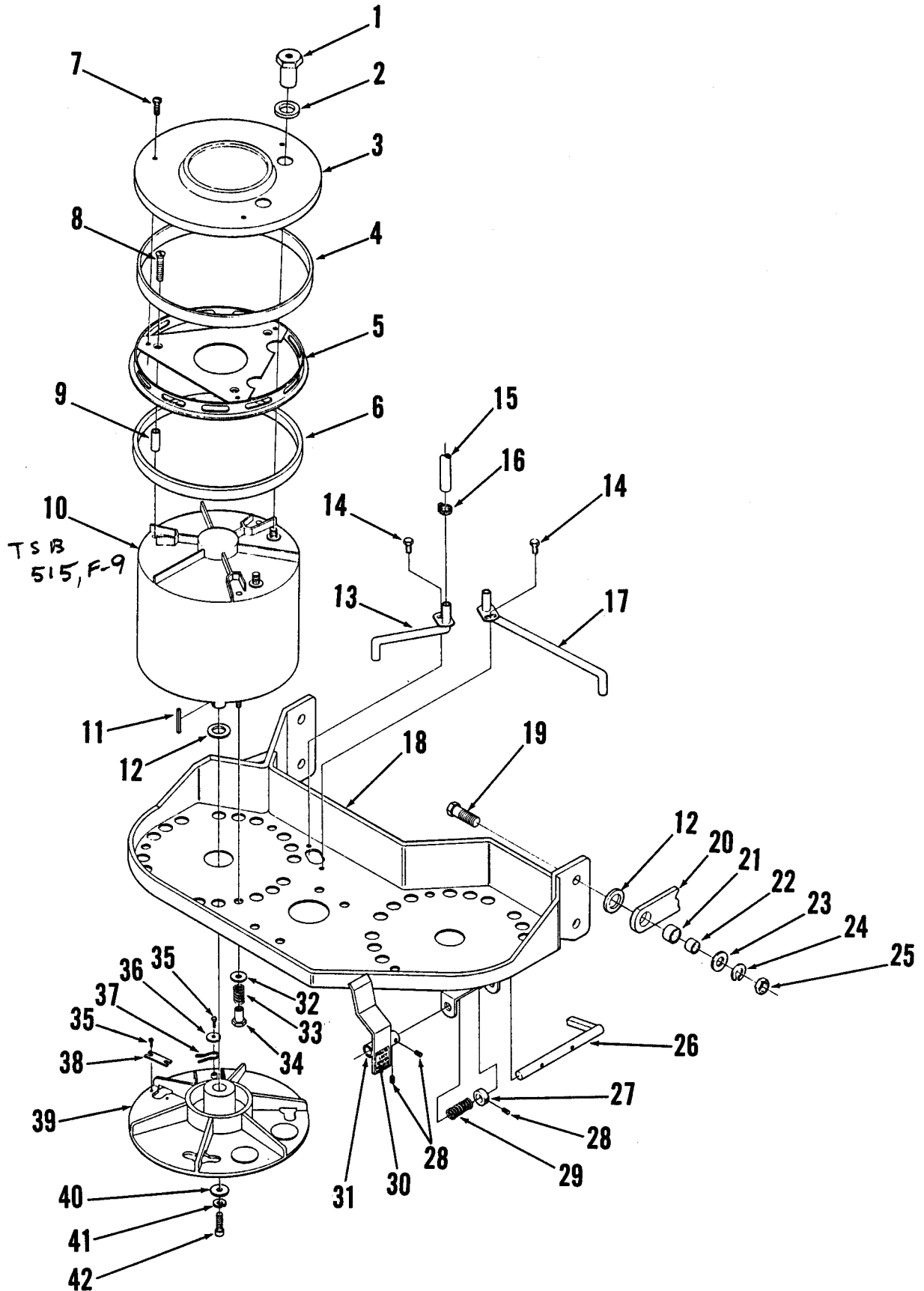
INDEX FOR FORM NUMBER 042145

<u>Description</u>	<u>Location</u>	<u>Page</u>
Brush Drive	B13	3
Brush Lift	C1	5
Chassis, Hood & Skirts	B11	1
Control Handle & Electrical Panel	C9	13
Squeegee	C7	11
Vacuum Motor (internal parts)	C12	16
Vacuum Motor, Tanks & Battery Housing	C3	7
Wheel Drive & Brake	C5	9
Wiring Diagram	C11	15



CHASSIS AND HOOD

Item	Part No.	Qty	Description	Item	Part No.	Qty	Description
1	376042	1	Hood	54	376074	2	Strap
2	321125	6	Retaining Ring	55	372929	16	Screw
3	016944	1	Decal, Control Panel	56	376854	1	Skirt Frame, Left
4	016942	1	Decal, Control Panel	57	440450	2	Swivel Caster
5	025286	2	Decal, Arrow	58		8	3/8 Lock Washer
6	388608	2	Button Plug	59		8	3/8-16 x 3/4 Hex Hd Screw
7	376402	1	Rear Door Panel	60		2	3/8 Shakeproof Washer
8	016948	1	Decal, Wiring Diagram	61		2	1/4-20 x 2-1/2 Hex Hd Screw
9		5	10-24 x 3/8 Oval Hd Screw	62	371009	4	Washer
10	449340	5	Finishing Washer	63	386823	2	Bushing
11	016324	1	Decal, Charger Plug	64	324499	4	Wheel
12	376780	1	Chassis	65		2	1/4-20 Whiz Nut
13	376576	1	Bumper	66	360147	2	Hinge Pin
14		14	10-24 x 3/4 Pan Hd Screw	67	365548	2	Lock Pin Assembly
15	376426	1	Strap	68	201405	2	Knob
16	376370	1	Inside Panel	69	201472	2	Pin
17	376372	1	Inside Panel	70	201413	2	Nut
18	376052	2	Hinge	71	201383	2	Socket
19	471220	2	Bushing	72	201448	2	Spring
20		2	1/4 Flat Washer	73	201391	2	Pin
21		2	1/4-20 x 1-1/2 Hex Hd Screw	74	401788	2	Snap On Cap
22	385238	1	Hood Cylinder	75	401783	2	Tank Leveler
23	376428	1	Clamp	76		2	5/16-18 Hex Nut
24		2	10-24 x 3/8 Pan Hd Screw	77	376090	1	Locking Plate
25	016185	1	Decal, Low Sudsing	78		6	1/4-20 x 1/2 Rd Hd Screw
26	025339	1	Decal, Tank	79	376860	1	Skirt Assembly, Right
27		2	1/4-20 Nut	80	376856	1	Skirt Assembly, Left
28	386312	2	Hood Stop				
29	379170	6	Spring				
30	379192	1	Mount				
31	379197	1	Mount				
32	376422	1	Vacuum Hose				
33	329145	1	Hose Clamp				
34	385198	1	Float				
35	325148	1	Gasket				
36	376008	1	Cover				
37	376496	2	Gasket				
38		8	#10 Brass Flat Washer				
39		4	10-24 x 3/8 Brass Screw				
40	376006	1	Cover				
41	376010	1	Deflector				
42		4	10-24 x 5/8 Brass Screw				
43	016116	1	Decal, Caution				
44		6	1/4-20 x 1/2 Hex Hd Screw				
45	376962	1	Aux Skirt Assembly, Left				
46	376958	1	Backing Plate, Left				
47	376956	2	Blade				
48	376954	2	Strap				
49	372929	10	Screw				
50	376960	1	Backing Plate, Right				
51	376964	1	Aux Skirt Assembly, Right				
52	376858	1	Skirt Frame, Right				
53	376076	2	Blade				



BRUSH DRIVE ASSEMBLY

Item	Part No.	Qty	Description	Item	Part No.	Qty	Description
1	386988	4	Stand-Off	28		6	1/4-20 x 3/16 Set Screw
2	760212	4	Grommet	29	171123	2	Spring
3	386691	2	Cover	30	016974	2	Decal, Brush Lock
4	180032	2	Filter	31	377230	2	Handle
5	180008	2	Bracket	32		6	7/16 Flat Washer
6	206058	2	Motor Gasket	33	377253	6	Spring
7		6	10-24 x 1/2 Pan Hd Screw	34	377244	6	Spacer
8		6	10-24 x 1-1/2 Flat Hd Screw	35		6	10-24 x 3/8 Hex Hd Screw
9	207489	6	Bushing	36	151114	2	Washer
10	376025	2	Motor TSB 515 - F9	37	366463	2	Spring Retainer
*	386813	1	Motor Brush/Set of 4	38	366455	2	Stop Plate
*	180146	4	Motor Brush Spring	39	364082	2	Brush Holder
11	370010	2	Square Key	40	180200	2	Washer
12	367192	5	Washer	41		2	5/16 Lock Washer
13	376776	1	Pipe, Right	42	180196	2	Screw
14		2	10-24 x 3/8 Hex Hd Screw	43	376866	1	Brush Drive Assembly
15	376444	2	Tube	**	505770	2	Pad Holder
16	756364	2	Hose Clamp	**	505771	2	Magna-Grit 46 Brush
17	376772	1	Pipe, Left	**	505772	2	Dyna-Grit 80 Brush
18	376718	1	Brush Motor Mount	**	505773	2	Aglite-Grit 500 Brush
19		4	1/2-13 x 1-3/4 Hex Hd Bolt	**	505774	2	Prolene Brush
20	376844	4	Lift Arm	**	505775	2	Prolite Brush
21	367168	4	Sleeve Bearing	**	505776	2	Union Mix Brush
22	367206	4	Bushing	**	505777	2	MidGrit 240 Brush
23		4	1/2 Flat Washer	**	505778	2	MidLite 180 Brush
24		4	1/2 Lock Washer				
25		4	1/2-13 Lock Nut				
26	376111	2	Handle Lock				
27	152811	2	Collar				

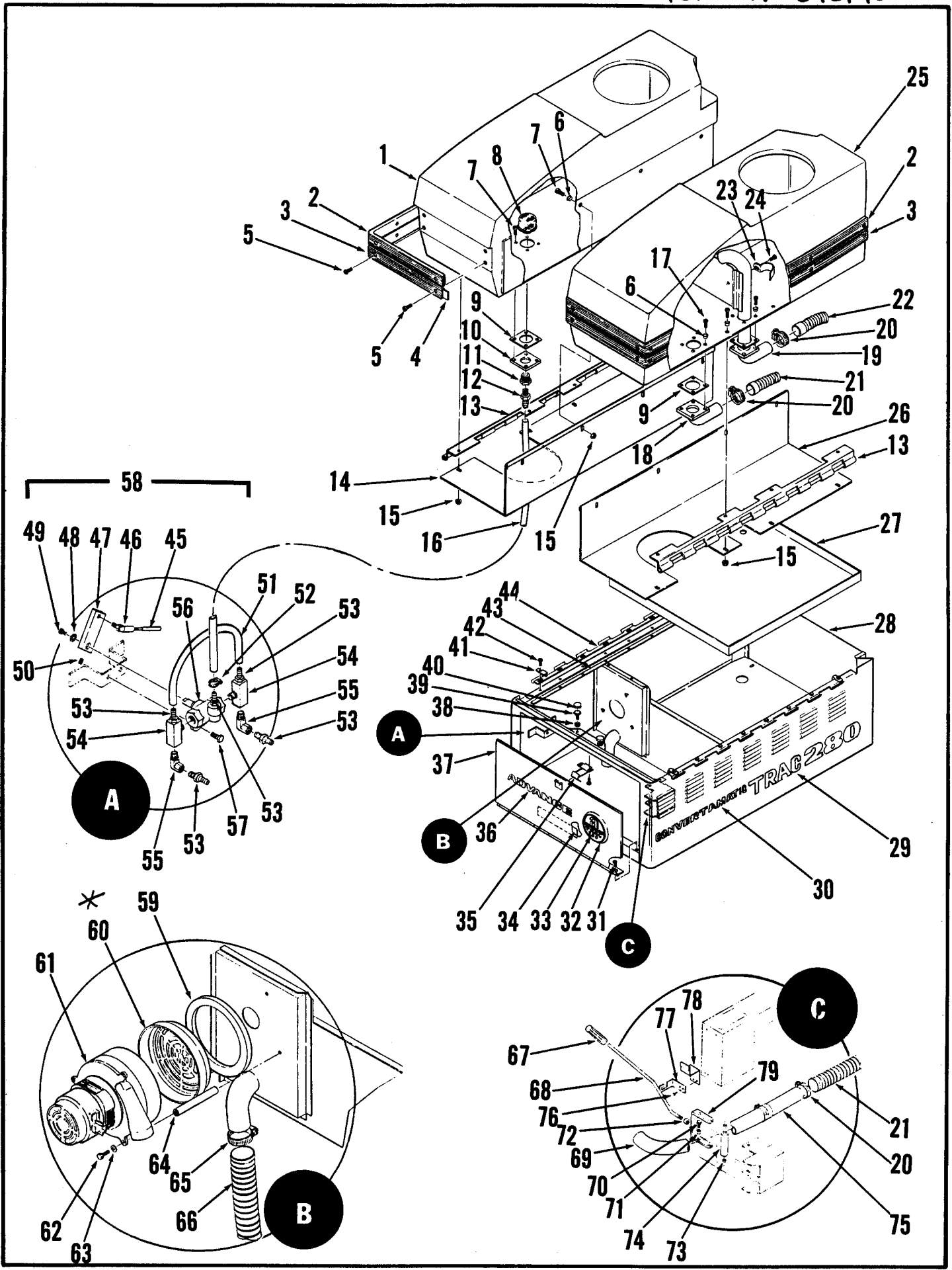
* = Not Shown

** = Optional, Not Included

BRUSH LIFT ASSEMBLY

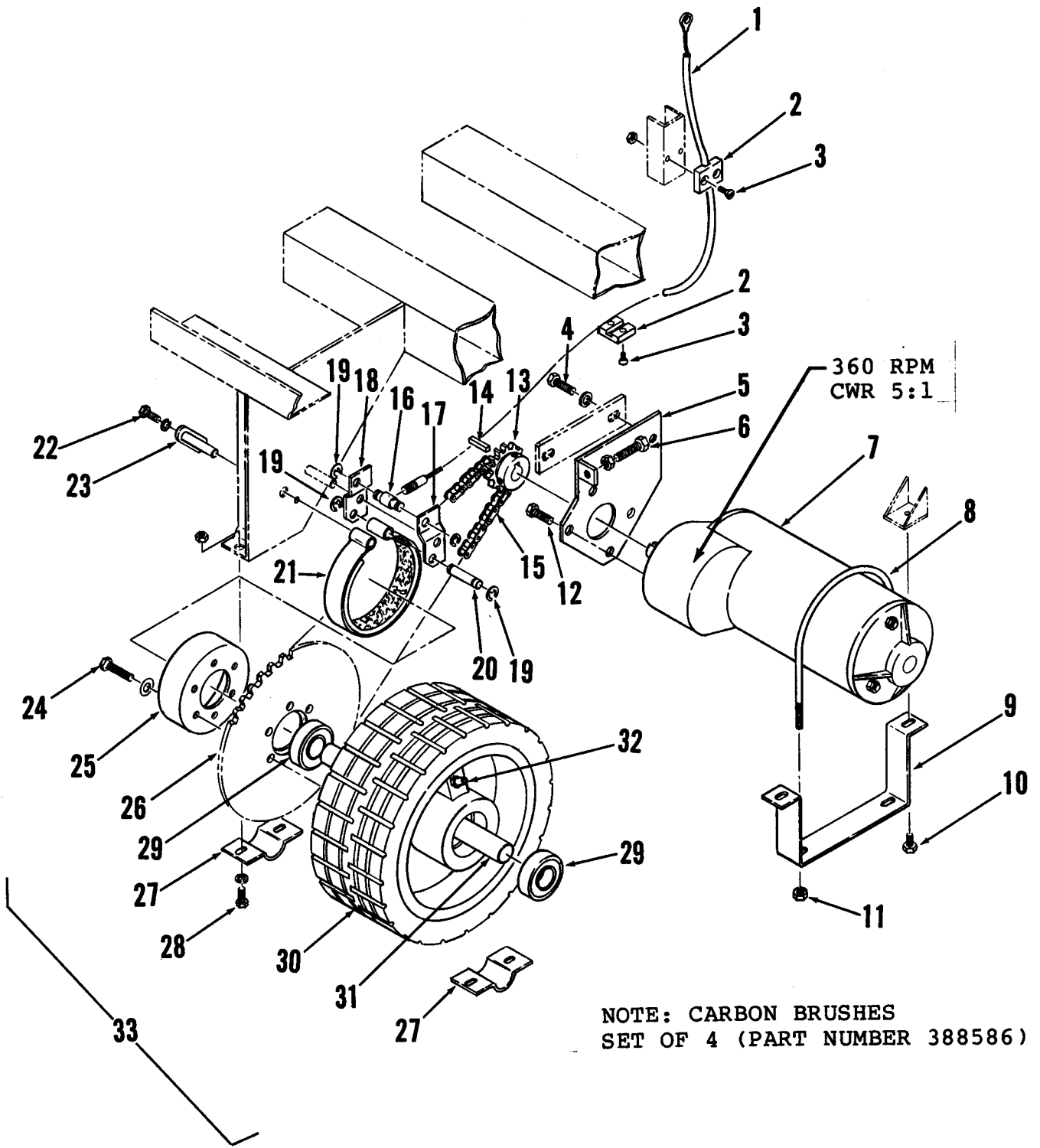
Item	Part No.	Qty	Description	Item	Part No.	Qty	Description
1	376830	1	Motor Mount	25	376836	1	Center Arm
2		6	5/16 Lock Washer	26	367192	2	Washer
3		2	5/16-18 x 1/2 Hex Hd Screw	27	376770	1	Upright Bracket
4		4	1/4-20 x 3/8 Hex Hd Screw	28	360627	2	Bushing
5		1	5/16-18 Whiz Nut	29	370878	2	Sleeve Bearing
6	376952	1	Hose Clamp	30		2	1/2-13 x 1-1/4 Hex Hd Bolt
7	376816	1	Valve Lever Latch	31		2	3/8-16 x 1/2 Flange Hd Screw
8	206784	2	Bushing	32		2	3/8 Lock Washer
9		2	1/4-20 x 1/2 Hex Hd Screw	33	390925	A/R	Shim
10	321427	2	Retaining Ring	34		1	1/4-20 x 1 Hex Hd Screw
11	388672	1	Pin	35		1	1/4 Flat Washer
12	376366	1	Flat	36	475411	1	Bushing
13	388518	1	Gear Motor TSB 540 - F4	37	376922	1	Push Rod
*	388517	1	Carbon Brush Kit (for 388518)	38	388036	2	Collar
*	470431	1	Carbon Brush Kit (for 391627)	39		2	10-24 x 1/4 Set Screw
14	376117	1	Washer	40		5	10-24 x 3/8 Hex Hd Screw
15	376850	1	Stud	41	376834	1	Switch Cover
16	376880	1	Spring	42		4	6-32 x 1-1/4 Washer Hd Screw
17	376740	1	Lift Bracket	43	388019	1	Switch
18		4	5/16-18 x 7/8 Hex Hd Screw	44	376924	4	Spacer
19		4	5/16 Flat Washer	45	385747	2	Nut Plate
20		1	1/2-13 Hex Jam Nut	46	388532	1	Switch
21	376874	1	Mount	47	376928	1	Switch Bracket
22	376868	1	Alignment Pin	48	491646	1	Flange Bearing
23	388520	1	Drive Nut				
24	376852	2	Screw				

* = Not Shown



BATTERY HOUSING AND TANKS

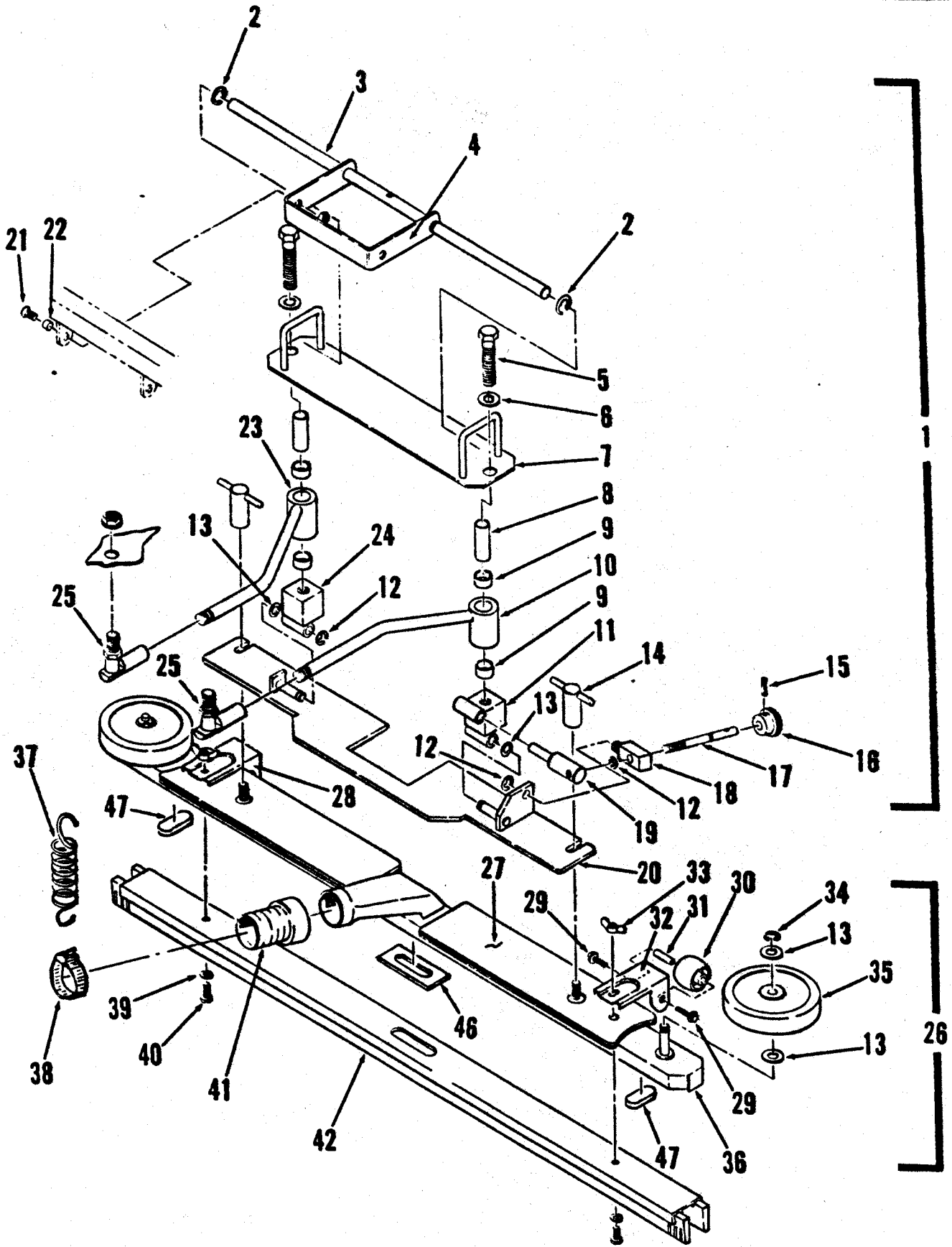
Item	Part No.	Qty	Description	Item	Part No.	Qty	Description
1	376004	1	Solution Tank	54	372506	1	Tee
2	376469	2	Bumper, Red	55	369632	2	Elbow
3	376498	2	Bumper, Black	56	368881	1	Valve
4	376499	4	Bumper Strap	57		2	1/4-20 x 1/2 Hex Hd Screw
5		28	10-32 x 3/8 Pan Hd Screw	58	376640	1	Valve Assembly
6	204218	32	Washer	59	385437	1	Gasket
7		24	1/4-20 x 1/2 Brass Screw	60	384898	1	Filter TSB 385 - G10
8	379125	1	Strainer	61	377470	1	Vacuum Motor
9	380763	3	Gasket	*	377473	1	Motor Brush/Set of 2
10	379202	1	Plate	62		3	1/4-20 x 3/4 Hex Hd Screw
11	751686	1	Bushing	63		3	1/4 Lock Washer
12	249926	1	Barb	64	377475	3	Stand-Off TSB 385 - G10
13	376490	2	Hinge Assembly	65	329145	1	Hose Clamp
14	376494	1	Solution Tank Support	66	376422	1	Hose Assembly
15		16	1/4-20 Whiz Nut	67	471193	1	Handle Grip
16	376444	1	Tube	68	376846	1	Valve Handle
17		8	1/4-20 x 5/8 Brass Screw	69	380712	1	Drain Tube
18	376068	1	Tube	70		2	1/4-20 x 1/2 Hex Hd Screw
19	376034	1	Tube	71	368989	2	Bushing
20	329145	5	Hose Clamp	72		1	5/16-18 Hex Nut
21	372222	1	Drain Hose	73	372624	2	Bearing
22	376434	1	Hose Assembly	74	372650	1	Roller
23	376493	1	Clamp	75	204536	1	Hose Coupler
24	209486	1	Screw	76		2	1/4-20 x 1/2 Hex Hd Screw
25	376002	1	Recovery Tank	77	376816	1	Handle Latch
26	376492	1	Recovery Tank Support	78	376952	1	Drain Hose Clamp
27	395136	1	Battery Tray	79	372652	1	Lever Pivot
28	376782	1	Battery Case				
29	016954	2	Decal, Trac 280				
30	016952	2	Decal, Convertamatic				
31		5	1/4-20 x 3/8 Hex Hd Screw				
32	016398	1	Emblem				
33	019950	1	Decal, Trac 280				
34	025363	1	Decal, Caution				
35	372700	1	Door Latch				
36	030008	1	Decal, Advance				
37	376322	1	Door				
38		2	5/16-18 Hex Nut				
39	401783	2	Tank Leveler				
40	401788	2	Snap On Cap				
41	381053	4	Hinge a Clip				
42		16	10-24 x 1/2 Hex Hd Screw				
43	385414	4	Nut Plate				
44	381070	2	Hinge				
45	377002	1	Cable				
46	488290	2	Ball Joint				
47	376028	1	Arm				
48		1	#8 Shakeproof Washer				
49		1	8-32 x 1/4 Pan Hd Screw				
50		1	10-24 x 1/4 Set Screw				
51	379108	1	Tube				
52	356364	1	Hose Clamp				
53	155640	5	Barb				



TRACTION DRIVE & BRAKE ASSEMBLIES

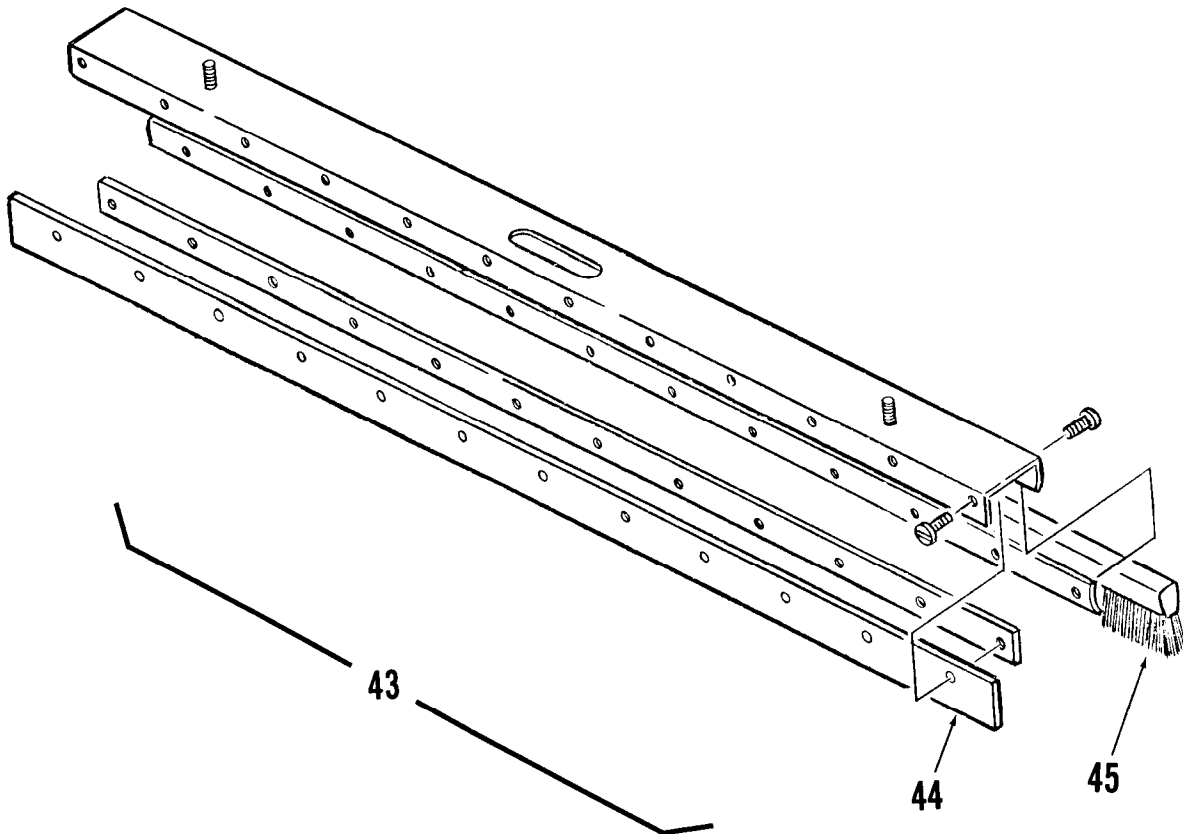
Item	Part No.	Qty	Description
1	376386	1	Brake Cable Assembly
2	477884	2	Cable Clamp
3		4	1/4-20 x 7/8 Flat Head Screw
4		2	3/8-24 x 1 Hex Head Screw
5	376352	1	Motor Mount Bracket
6		1	5/16-18 x 2 Hex Head Screw
7	388585	1	Drive Assembly
*			Carbon Brush Set TSB 506 - F11
8	388686	1	Motor Clamp
9	376330	1	Motor Hangar Clamp
10		2	1/4-20 x 3/8 Hex Head Screw
11		2	5/16-18 Whiz Nut
12		4	3/8-16 x 3/4 Hex Head Screw
13	471148	1	Sprocket
14	740168	1	Square Key
15	377370	1	Roller Chain
16	388674	1	Brake Lever Pin
17	388676	1	Brake Lever, Left
18	388678	1	Brake Lever, Right
19	321427	4	Retaining Ring
20	388672	1	Grooved Pin
21	402745	1	Brake Strap Assembly
22		2	5/16-18 x 1/2 Hex Head Screw
23	388666	2	Bracket
24		6	5/16-18 x 1-1/4 Hex Head Screw
25	388702	1	Brake Drum
26	388700	1	Sprocket
27	388937	2	Clamp
28		4	1/4-20 x 1 Hex Head Screw
29	378380	2	Bearing
30	376628	1	Wheel
31	388698	1	Axle
32	344362	1	Grease Fitting
33	376626	1	Wheel Assembly
*	469858	2	Stand-Off Terminal (Red Plastic)
*	150274	2	Stud
*	478246	4	Wire Tie

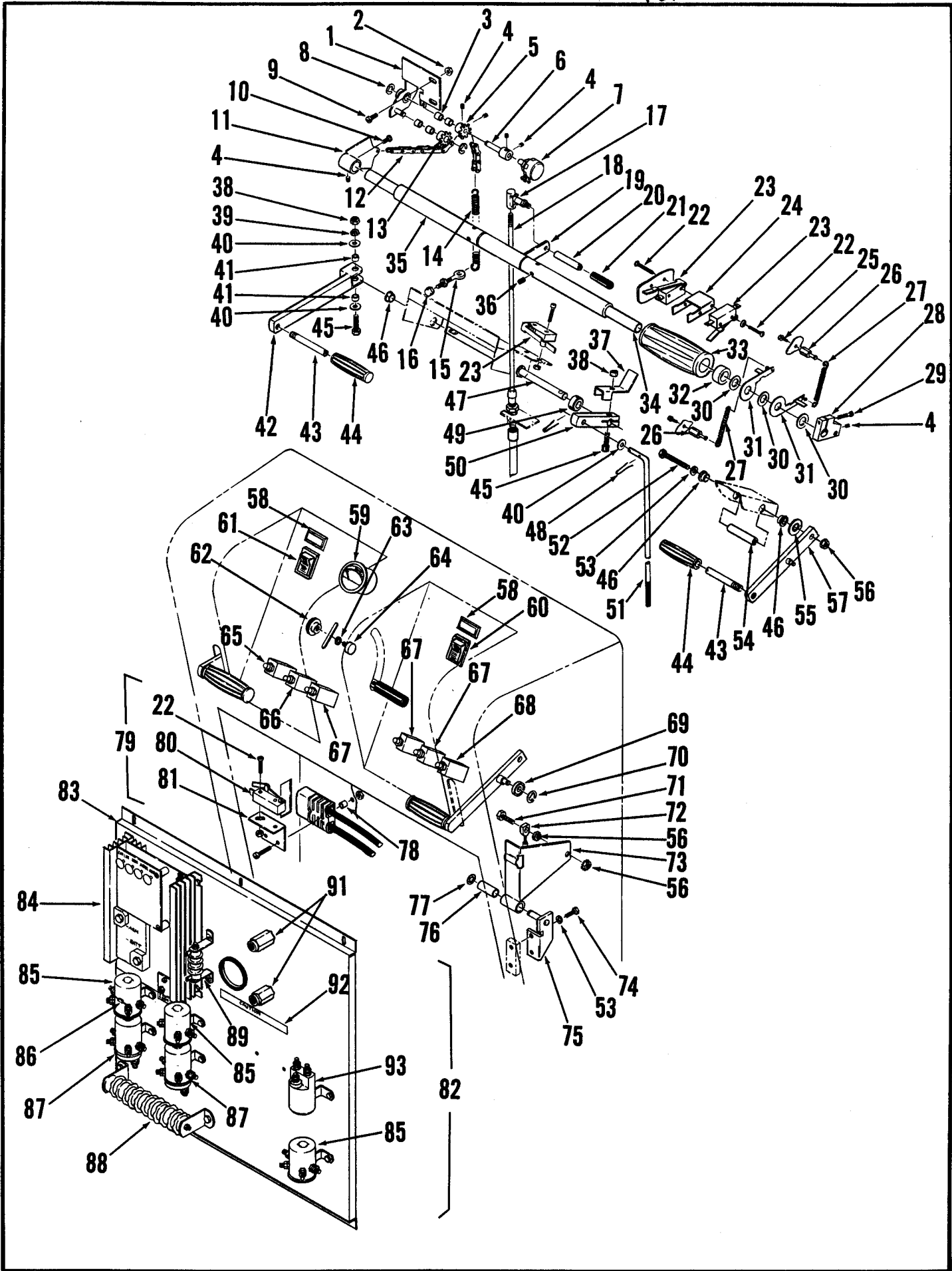
* = Not Shown



SQUEEGEE ASSEMBLY

Item	Part No.	Qty	Description	Item	Part No.	Qty	Description
1	376390	1	Squeegee Lift Assembly	25	477772	2	Ball Joint
2	468834	2	Retaining Ring	26	376280	1	Squeegee Assy TSB 401 - G8
3	376273	1	Rod	27	376476	2	Weight Plate
4	376274	2	Lever	28	376485	2	Roller Assembly
5		2	1/3-13 x 2-1/2 Hex Hd Bolt	29		2	8-32 x 3/8 Hex Hd Screw
6		2	1/2 Shakeproof Washer	30	329554	1	Roller
7	376281	1	Bracket	31	387374	1	Axle
8	377752	2	Bushing	32	376483	1	Plate
9	453655	4	Sleeve Bearing	33		2	1/4-20 Wing Nut
10	376270	1	Arm, Left	34	157066	2	Retaining Ring
11	376311	1	Pivot Cube, Left TSB 396 - G9	35	228102	2	Wheel
12	372427	4	Retaining Ring TSB 396 - G9	36	376282	1	Squeegee Channel
13	371009	6	Washer TSB 396 - G9	37	358560	1	Spring
14	370711	2	Wing Nut TSB 396 - G9	38	478246	1	Wire Tie
15		1	1/8 x 1 Groove Pin TSB 396 - G9	39		2	1/4 Brass Flat Washer
16	217972	1	Knob TSB 396 - G9	40		2	1/4-20 x 7/8 Brass Screw
17	376297	1	Adjusting Rod TSB 396 - G9	41	376434	1	Hose Assembly
18	376314	1	Adjusting Block TSB 396 - G9	42	376288	1	Squeegee Cartridge TSB 590 - F1
19	376315	1	Adjusting Pin TSB 396 - G9	43	376380	1	Dry Pick-Up Assembly
20	376300	1	Squeegee Mount TSB 396 - G9	44	376375	1	Blade, Rubber
21		2	1/4-20 x 7/8 Phil Hd Screw	45	376376	1	Brush Strip
22	368989	2	Bushing	46	400613	1	Gasket
23	376269	1	Arm, Right	47	400614	2	Gasket
24	376308	1	Pivot Cube, Right				



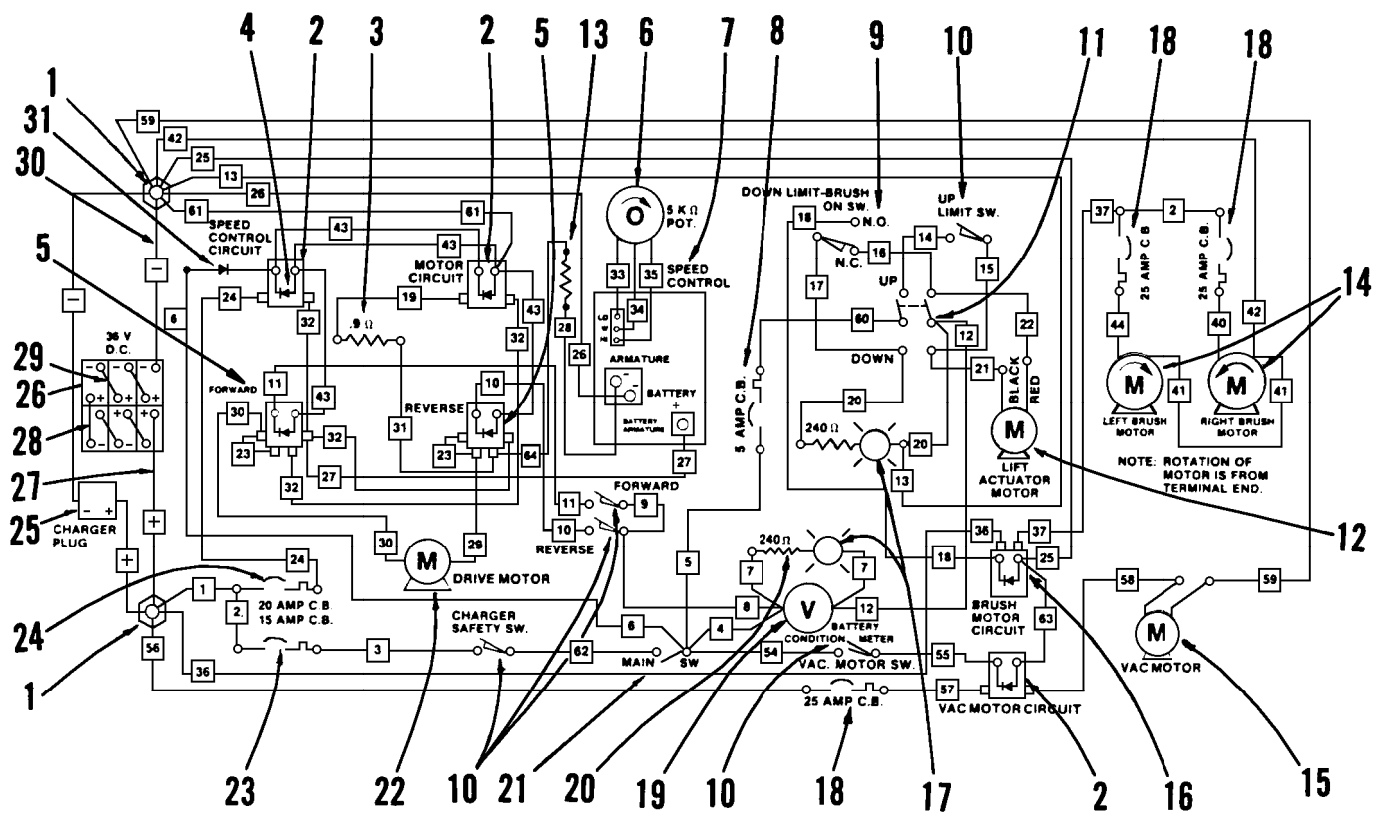


CONTROL HANDLE

Item	Part No.	Qty	Description	Item	Part No.	Qty	Description
1	377787	1	Potentiometer Bracket	54	376468	1	Pin
2		1	1/4-20 Whiz Nut	55		1	1/2 Flat Washer
3	372624	4	Sleeve Bearing	56		1	1/4-20 Whiz Nut
4		8	10-24 x 3/16 Set Screw	57	376680	1	Lever
5	377797	1	Sprocket	58	467410	2	Indicator Light
6	377791	1	Pin	59	448677	1	Battery Condition Meter
7	454740	1	Potentiometer	60	377003	1	Rocker Switch
8	321125	3	Retaining Ring	61	376348	1	Rocker Switch
9		2	1/4-20 x 5/8 Pan Hd Screw	62	387670	1	Knob
10		1	10-24 x 3/4 Pan Hd Screw	63	200190	1	Fiber Washer
11	377784	1	Actuator Lever	64	337668	1	Stud
12	377793	1	Roller Chain	65	180275	1	Circuit Breaker, 15A
13	377796	1	Sprocket	66	395454	1	Circuit Breaker, 20A
14	358560	1	Spring	67	469788	3	Circuit Breaker, 25A
15	388599	1	eye Bolt	68	387328	1	Circuit Breaker, 5A
16		1	10-24 Acorn Nut	69	228051	1	Bearing
17	488290	2	Ball Joint	70	373797	1	Retaining Ring
18	376320	1	Solution Control Cable	71		1	1/4-20 x 1 Hex Hd Screw
19	376060	1	Solution Control Lever	72	376386	1	Cable Assembly
20	376066	1	Solution Control Handle	73	376696	1	Brake Lever
21	376486	1	Grip	74		2	1/4-20 x 1/2 Hex Hd Screw
22		8	6-32 x 1 Rd Hd Screw	75	376692	1	Pivot Bracket
23	388019	3	Switch	76	200972	1	Bushing
24	388576	1	Switch Bracket	77	321427	1	Retaining Ring
25		2	10-24 x 3/8 Hex Hd Screw	78	373040	2	Bushing
26	377436	2	Pin	79	376432	1	Charger Plug Assembly
27	365769	2	Spring	80	376433	1	Switch
28	377438	1	Clamp	81	389270	1	Switch Bracket
29		1	10-24 x 3/4 Soc Hd Screw	82	376316	1	Electrical Panel Assembly
30	151858	3	Thrust Washer	83	376318	1	Electrical Panel
31	388562	2	Switch Arm	84	388521	1	Speed Control TSB 472 - G5
32	377434	1	Collar	85	395452	3	Contact
33	388543	2	Handle Grip	86	389265	6	Rectifier Assembly
34	388578	1	Handle Tube	87	388534	2	Solenoid
35	388580	2	Tube	88	467470	1	Resistor
36		4	8-32 x 1/4 Set Screw	89	389302	1	Resistor Assembly
37	376277	1	Switch Actuator	90	344621	1	Grommet
38		2	1/4-20 Hex Nut	91	469858	2	Insulated Stand-Off
39		2	1/4 Shakeproof Washer	92	025363	1	Decal, Caution
40		4	1/4 Flat Washer	93	395450	1	Contact
41	15106	2	Bushing				
42	377770	1	Lever				
43	376254	2	Pin				
44	471193	2	Grip				
45		2	1/4-20 x 1-1/2 Soc Hd Screw				
46	376248	4	Nylon Bearing				
47	376275	1	Rod				
48		2	1/16 x 1 Cotter Pin				
49	232408	1	Collar				
50	377782	1	Lever				
51	377780	1	Squeegee Lift Rod				
52		1	1/4-20 x 2-1/4 Hex Hd Screw				
53		3	1/4 Lock Washer				

WIRING DIAGRAM

Item	Part No.	Qty	Description	Item	Part No.	Qty	Description
1	469858	2	Stand-Off	18	469788	3	Circuit Breaker, 25A
2	395452	3	Contactor	19	448677	1	Battery Condition Meter
3	467470	1	Resistor	20	395404	2	Resistor
4	389265	6	Rectifier Assembly	21	376348	1	Switch
5	388534	2	Solenoid	22	388585	1	Drive Motor
6	454740	1	Potentiometer	23	180275	1	Circuit Breaker, 15A
7	388521	1	Speed Control TSB 472 - G5	24	395454	1	Circuit Breaker, 20A
8	387328	1	Circuit Breaker, 5A	25	376432	1	Charger Plug Assembly
9	388532	1	Switch	*	371408	1	Charger Plug only
10	388019	5	Switch	26	376014	6	Battery
11	377003	1	Switch	27	376470	1	Battery Cable
12	388518	1	Motor	28	363936	1	Battery Cable
13	389302	1	Resistor Assembly	29	363928	4	Battery Cable
14	376025	2	Brush Drive Motor TSB 450 - G6, TSB 515 - F9	30	376472	1	Battery Cable, Negative
15	377470	1	Vacuum Motor	31	389299	1	Diode Wire Assembly
16	395450	1	Contactor	*	372673	12	Battery Terminal Boot
17	467410	2	Indicator Light	* = Not Shown			



377470 VACUUM MOTOR

Item	Part No.	Qty	Description
------	----------	-----	-------------

1	203591	1	Cooling Fan
2	377473	1	Carbon Brush (Set of 2)
3	228051	2	Ball Bearing
4	203461	1	Neoprene Washer
5	372584	1	Spacer
6	372586	1	Fan
7	372588	3	Rotating Fan
8	203516	2	Spacer
9	377485	1	Stationary Fan
10	377486	1	Stationary Fan
11	377487	1	Fan Shell

