



Electronic Service Manuals

This electronic document is provided as a service to our customers. We do not create the contents of the information contained in this document. Should you have detailed questions pertaining to the information contained in this document, you may contact Michco, or the manufacturer which provided the original information in this electronic deliverable. Michco's only part in this electronic deliverable was the electronic assembly process.

You may contact Michco through the following methods:
Phone (517) 484-9312 or (800) 331-3339 MI, OH, IN only
2011 N. High St. -- Lansing, Michigan -- 48906
Fax: (517) 484-9836
Email: CustServ@Michco.com
Web site: www.Michco.Com
Parts Web site: www.FloorMachineParts.Com

Order Parts on Line at:
www.FloorMachineParts.Com

Directly to Parts & Service:
By Email: **Shop@Michco.com**
By Fax: (517) 702-2041
By Voice: Use numbers above.

Serving the Cleaning Industry Since 1922

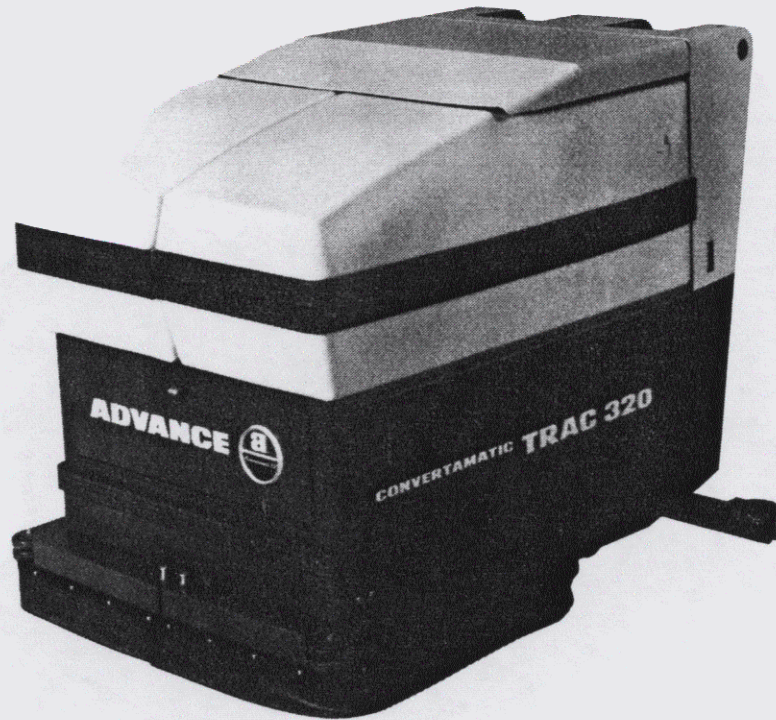
Notice: All copyrighted material remains property of original owners, all trademarks are property of respective owners. Manuals are subject to Manufacturer's reproduction limitations. Originals or reproductions were provided by manufacturers through a request. We make no warranty as to the correctness of information provided in this document and you assume all risk.

CONVERTAMATIC

MODELS TRAC 320, 380BD

THIS PARTS LIST IS FOR MACHINES
AFTER SERIAL NUMBER 065189.

PARTS LIST



ADVANCE
MACHINE COMPANY

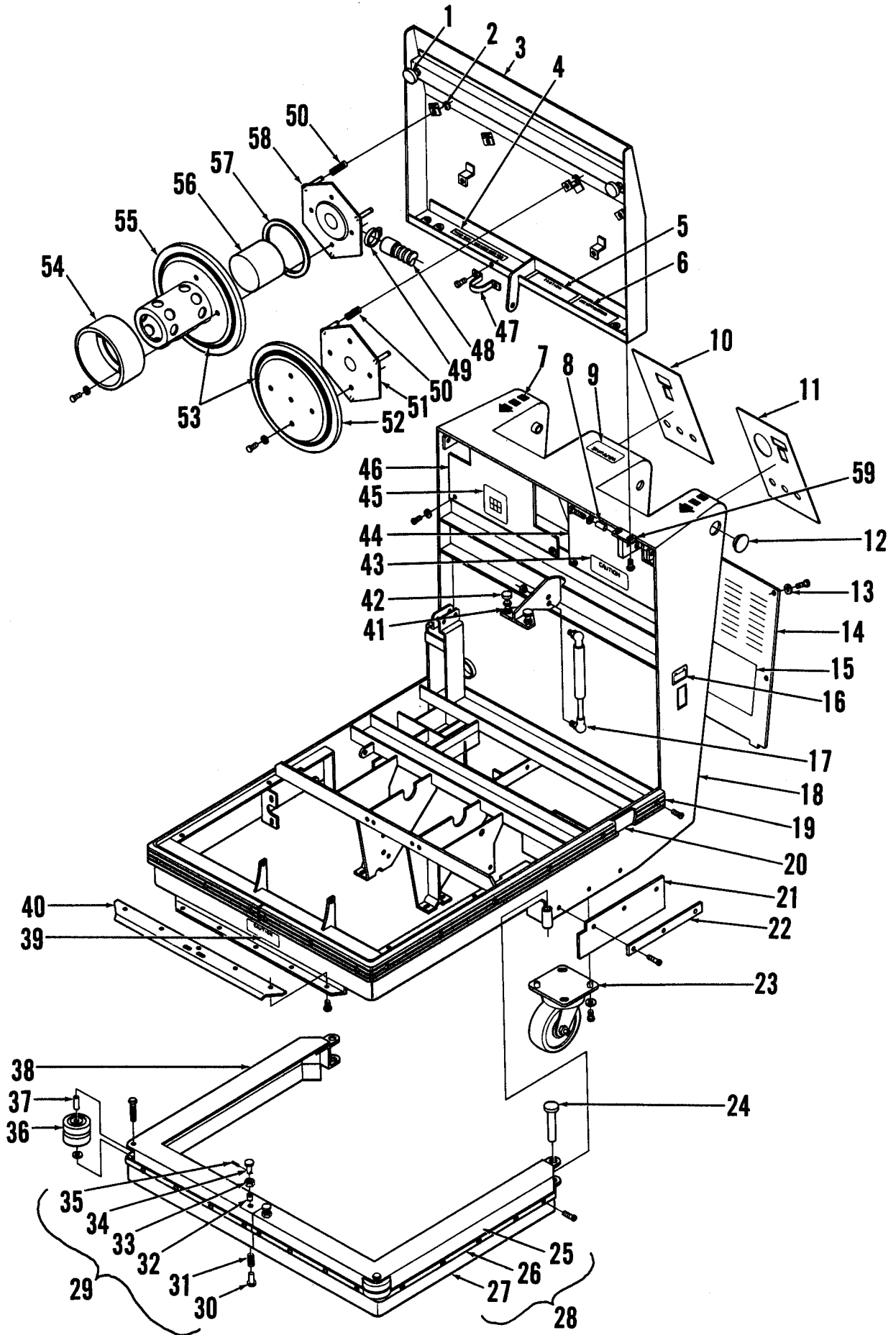
INTERNATIONAL HEADQUARTERS, Plymouth, MN 55447-3408
EUROPE, Llantrisant, Pontyclun, Mid-Glamorgan CF7 8YZ Wales, United Kingdom
CANADA, 1295 Crestlawn Drive, Mississauga, Ontario L4W 1A9

FORM NUMBER 042176 1/88



INDEX FOR FORM NUMBER 042176

<u>Description</u>	<u>Location</u>	<u>Page</u>
Brush Drive	D1	11
Castors, Skirts & Hood	C5	1
Control Handle & Electrical Panel	C13	9
Squeegee	D3	13
Tanks & Battery Housing	C7	3
Vacuum Motor & Solution Valve	C9	5
Wheel Drive & Brake	C11	7
Wiring Diagram	D5	15

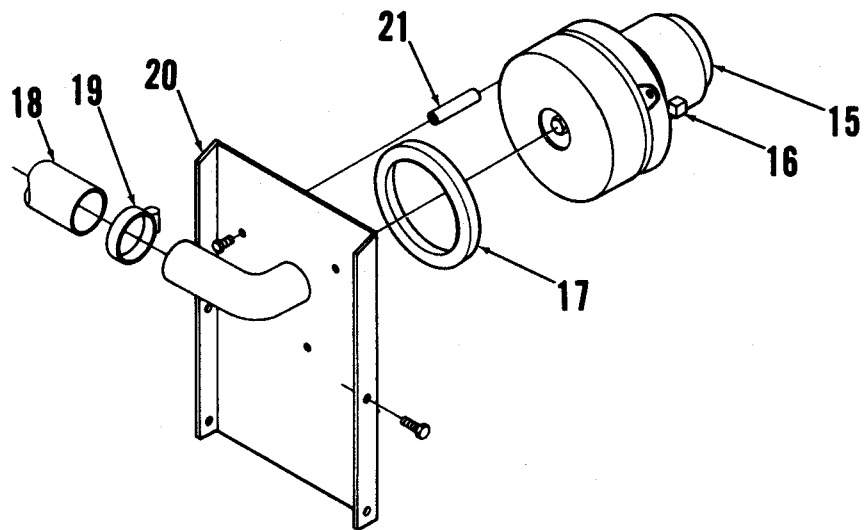
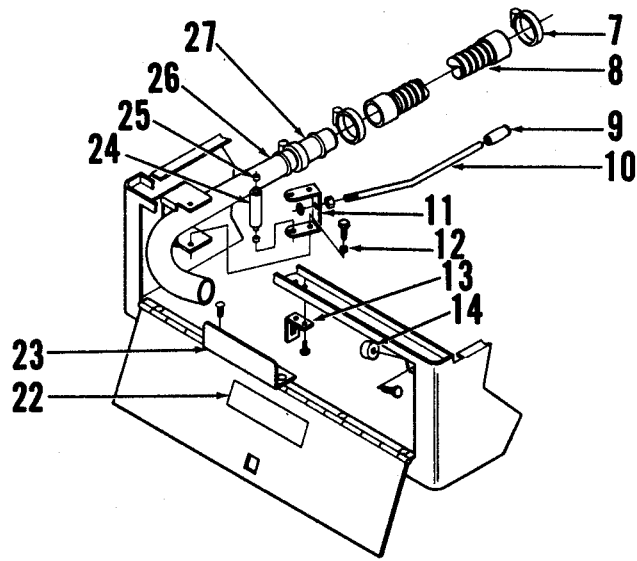
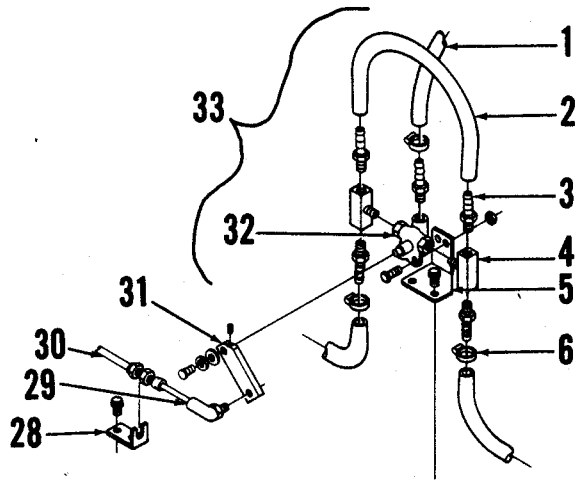


CHASSIS & HOOD

I	PART #	QTY	DESCRIPTION	I	PART #	QTY	DESCRIPTION
1	386312	2	HOOD STOP	53	372718	2	GASKET
2	321125	6	RETAINING RING	54	379206	1	DEFLECTOR
3	377310	1	HOOD	55	385237	1	COVER
4	025339	1	DECAL, TANK	56	385198	1	FLOAT
5	016057	1	DECAL, CAUTION	57	372716	1	GASKET
6	016185	1	DECAL, LOW SUDSING	58	379197	1	CENTERING MOUNT
7	025286	2	DECAL, ARROW	59	376052	2	HINGE
8	471220	2	BUSHING				
9	015379	1	DECAL, WARNING				
10	016944	1	DECAL, CONTROL PANEL				
11	016942	1	DECAL, CONTROL PANEL				
12	388608	2	PLUG BUTTON				
13	449340	5	FINISHING WASHER				
14	377620	1	REAR DOOR PANEL				
15	016972	1	DECAL, WIRING				
16	016324	1	DECAL, CHARGER PLUG				
17	385238	1	HOOD CYLINDER				
18	377079	1	CHASSIS				
19	377642	2	BUMPER				
20	377640	2	STRAP				
21	377364	2	BLADE				
22	377366	2	STRAP				
23	440450	2	CASTER				
24	360147	2	HINGE PIN				
25	377516	1	LEFT SKIRT 320				
	377566	1	LEFT SKIRT 380				
26	377358	2	STRAP 320				
	377362	2	STRAP 380				
27	377356	2	BLADE 320				
	377360	2	BLADE 380				
28	377512	1	SKIRT ASSEMBLY LEFT 320				
	377562	1	SKIRT ASSEMBLY LEFT 380				
	377510	1	SKIRT ASSEMBLY RIGHT 320				
	377560	1	SKIRT ASSEMBLY RIGHT 380				
29	365548	2	LOCK ASSEMBLY				
30	201391	2	PIN				
31	201448	2	SPRING				
32	201383	2	SOCKET				
33	201413	2	NUT				
34	201405	2	KNOB				
35	201472	2	PIN				
36	324499	4	WHEEL				
37	386823	2	BUSHING				
38	377514	1	RIGHT SKIRT 320				
	377564	1	RIGHT SKIRT 380				
39	016106	1	DECAL, CAUTION				
40	389139	1	SKIRT LOCKING PLATE				
41	401783	2	TANK LEVELER				
42	401788	2	SNAP-ON CAP				
43	016116	1	DECAL, CAUTION				
44	377628	1	LEFT INSIDE COVER				
45	016958	1	DECAL, CABLE ROUTE				
46	377626	1	RIGHT INSIDE COVER				
47	376428	1	HOSE CLAMP				
48	377668	1	HOSE				
49	329145	1	HOSE CLAMP				
50	379170	6	SPRING				
51	379192	1	CENTERING MOUNT				
52	379186	1	COVER				

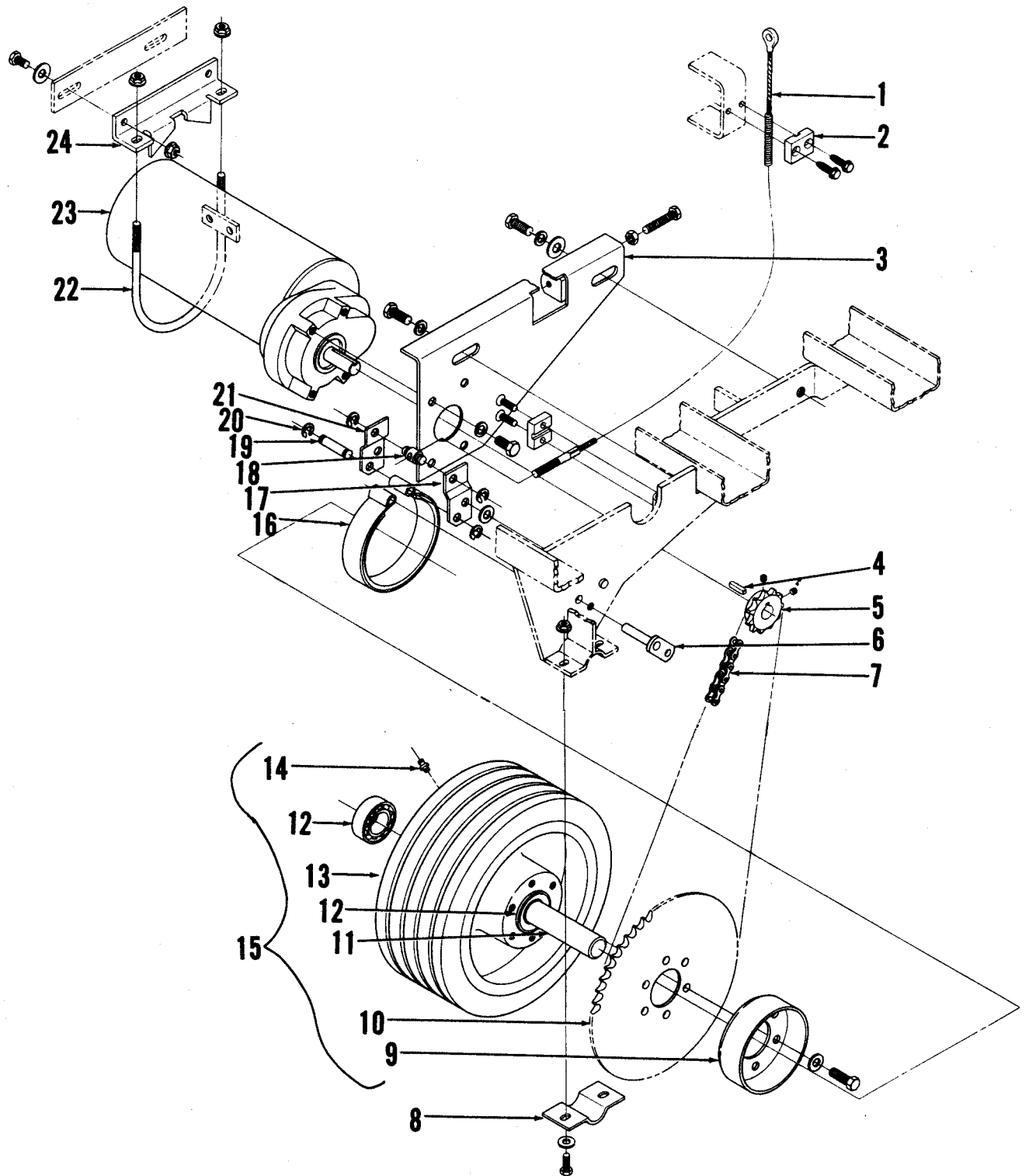
BATTERY HOUSING & TANKS

I	PART #	QTY	DESCRIPTION
1	377308	2	REAR PLATE
2	380763	3	GASKET
3	376068	1	TUBE
4	377012	1	SOLUTION TANK
5	379125	1	STRAINER
6	379202	1	PLATE
7	751686	1	REDUCER
8	249926	1	BARB
9	377282	1	HINGE
10	377311	1	FRONT PLATE
11	377117	1	BATTERY HOUSING
12	016970	1	DECAL, 320
	016971	1	DECAL, 380
13	016952	1	DECAL, CONVERTAMATIC
14	016398	1	EMBLEM
15	016966	1	DECAL, 320
	016968	1	DECAL, 380
16	372700	1	LATCH
17	377139	1	DOOR
18	016973	1	DECAL, ADVANCE
19	401783	2	TANK LEVELER
20	401788	2	SNAP-ON CAP
21	381053	4	HINGE CLIP
22	377288	2	HINGE
23	377290	2	NUT PLATE
24	389110	1	BATTERY TRAY
25	377309	1	FRONT PLATE
26	377284	1	HINGE
27	377295	1	TUBE
28	377276	4	STRAP
29	377280	2	BLACK BUMPER
30	377278	2	ROD BUMPER
31	377013	1	RECOVERY TANK



VACUUM MOTOR, DRAIN VALVE & SOLUTION VALVE

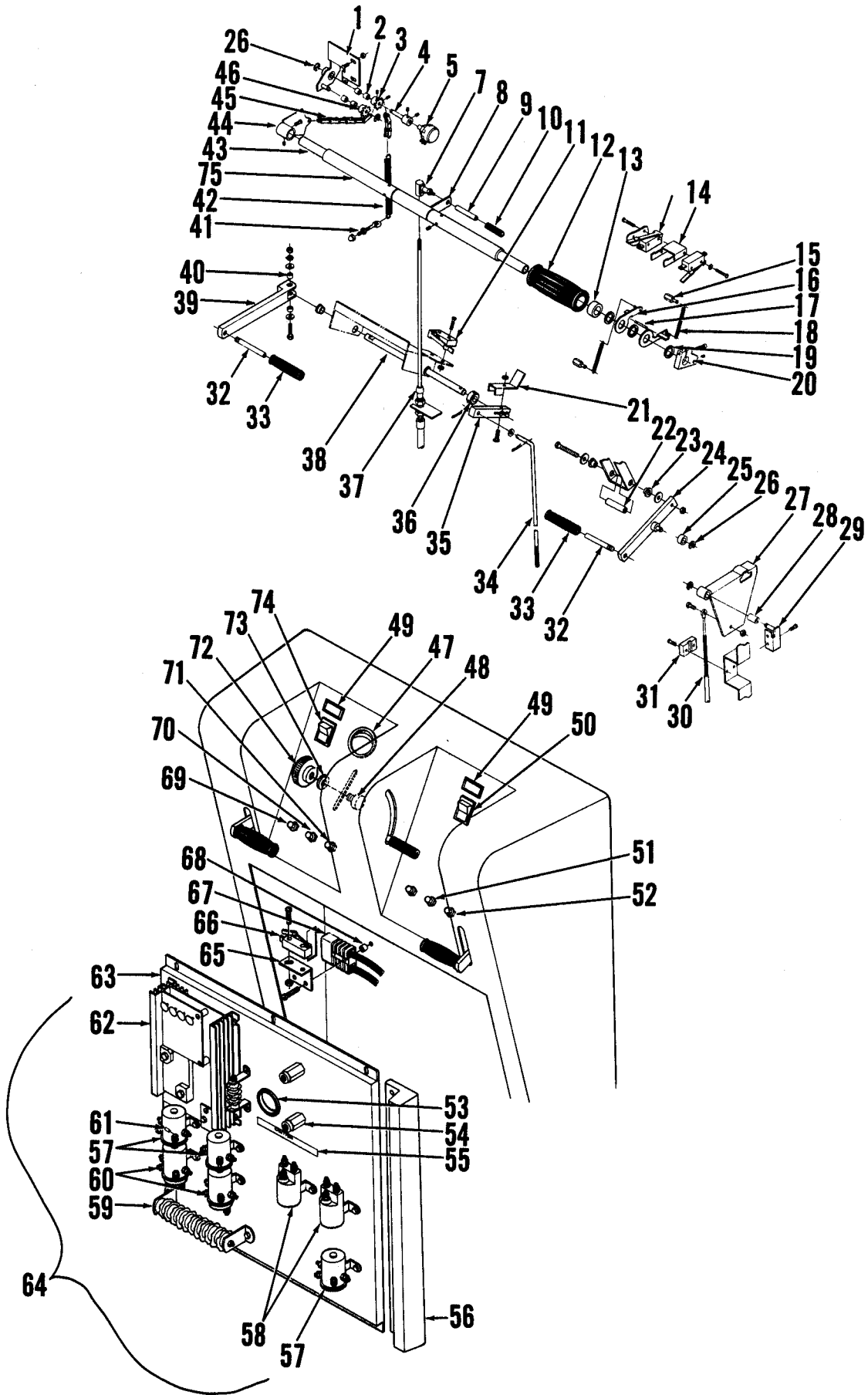
I	PART #	QTY	DESCRIPTION
1	377664	3	TUBE
2	379108	1	TUBE
3	155640	5	BARB
4	372506	2	TEE
5	377676	1	BRACKET
6	756364	3	HOSE CLAMP
7	329145	3	HOSE CLAMP
8	372222	1	HOSE
9	471193	1	HANDLE GRIP
10	377264	1	LEVER
11	372652	1	PIVOT
12	368989	2	BUSHING
13	372662	1	LATCH
14	377634	1	PLUG
15	377470	1	VACUUM MOTOR
16	377473	1	MOTOR BRUSH SET
17	385437	1	GASKET
18	377668	1	HOSE
19	329145	2	HOSE CLAMP
20	377468	1	MOTOR MOUNT
21	377475	3	STAND-OFF
22	016396	1	DECAL, DRAIN VALVE
23	377630	1	BRACKET
24	372650	1	ROLLER
25	372624	2	BEARING
26	380712	1	DRAIN TUBE
27	377670	1	COUPLER
28	377262	1	BRACKET
29	488290	1	BALL JOINT
30	377002	1	SOLUTION CONTROL CABLE
31	377672	1	ARM
32	368881	1	VALVE
33	377674	1	VALVE ASSEMBLY



TRACTION DRIVE ASSEMBLY

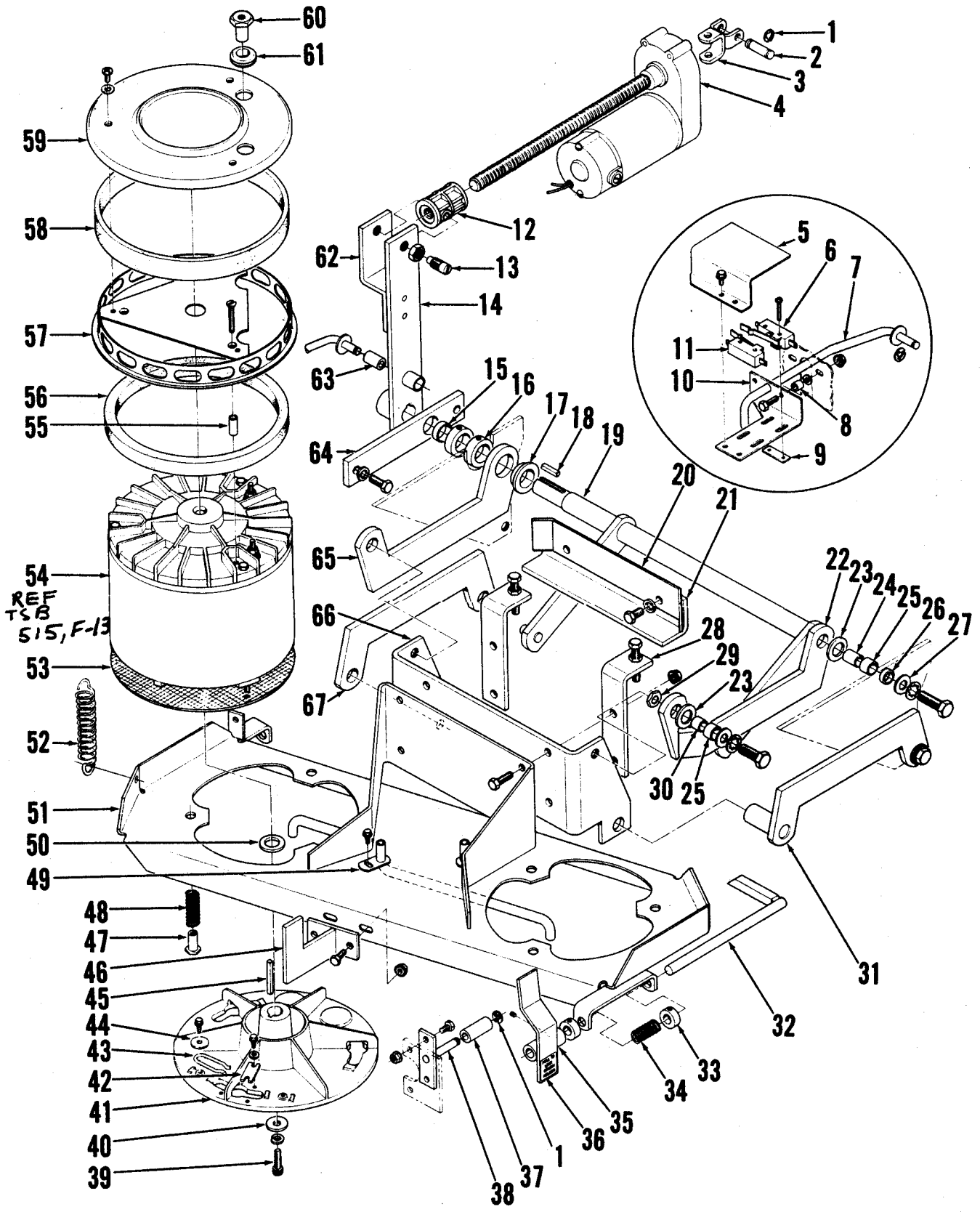
Item	Part No.	Qty	Description
1	376386	1	Brake Cable Assembly
2	477884	2	Cable Clamp
3	388692	1	Motor Mount Bracket
4	740168	1	Key
5	471148	1	Sprocket
6	388666	1	Pin
7	377370	1	Chain
8	388937	2	Clamp
9	388702	1	Brake Drum
10	388700	1	Sprocket
11	388698	1	Axle
12	378380	2	Bearing
13	376628	1	Wheel
14	344362	1	Fitting
15	376626	1	Wheel Assembly
16	402745	1	Brake Strap
17	388676	1	Left Brake Lever
18	388674	1	Pivot
19	388672	1	Pin
20	157060	4	Retaining Ring
21	388678	1	Right Brake Lever
22	388686	1	Clamp
23	388585	1	Drive Assembly TSB 506 - G1
	388586	1	Carbon Brush Set
24	388682	1	Bracket
*	469858	2	Stand-Off Terminal (Red Plastic)
*	150274	2	Stud
*	478246	4	Wire Tie

* = not shown



CONTROLS & ELECTRICAL PANEL

I	PART #	QTY	DESCRIPTION	I	PART #	QTY	DESCRIPTION
1	377787	1	BRACKET	59	467470	1	RESISTOR
2	372624	4	BEARING	60	388534	2	SOLENOID
3	377797	1	SPROCKET	61	389265	7	RECTIFIER ASSEMBLY
4	377791	1	PIN	62	388540	1	D.C. CONTROLLER TSB 472,6-4
5	454740	1	POTENTIOMETER	63	376318	1	ELECTRICAL PANEL
6	377786	1	POTENTIOMETER ASSEMBLY	64	377714	1	ELECTRICAL PANEL ASSEMBLY
7	488290	2	BALL JOINT	65	389270	1	BRACKET
8	377658	1	LEVER	66	376433	1	SWITCH
9	376066	1	ROD	67	371408	1	CHARGER PLUG
10	376486	1	GRIP	68	373040	2	BUSHING
11	388019	3	SWITCH	69	180275	1	CIRCUIT BREAKER
12	388543	2	HANDLE GRIP	70	395454	1	CIRCUIT BREAKER
13	377434	1	COLLAR	71	469788	1	CIRCUIT BREAKER
14	388576	1	SWITCH BRACKET	72	387670	1	KNOB
15	377436	2	PIN	73	200190	1	WASHER
16	388562	2	SWITCH BRACKET	74	376348	1	SWITCH
17	453734	1	PIN	75	388580	2	TWIST GRIP TUBE
18	365769	2	SPRING				
19	151851	3	BEARING				
20	377438	1	CLAMP				
21	377776	1	SWITCH ACTUATOR				
22	376688	1	PIN				
23	376248	4	BEARING				
24	376680	1	LEVER				
25	228051	1	BEARING				
26	321125	3	RETAINING RING				
27	376696	1	BRAKE LEVER				
28	200972	1	BEARING				
29	376692	1	BRACKET				
30	376386	1	BRAKE CABLE				
31	477884	2	CLAMP				
32	376254	2	PIN				
33	471193	2	HANDLE GRIP				
34	377780	1	SQUEEGEE ROD				
35	377782	1	LEVER				
36	232408	1	COLLAR				
37	377002	1	SOLUTION CONTROL CABLE				
38	377778	1	ROD				
39	377770	1	LEVER				
40	151106	2	BUSHING				
41	388599	1	EYE BOLT				
42	358560	1	SPRING				
43	377662	1	HANDLE TUBE				
44	377784	1	LEVER				
45	377793	1	CHAIN				
46	377796	1	SPROCKET				
47	448677	1	BATTERY CONDITION METER				
48	387668	1	STUD				
49	467410	2	INDICATOR LIGHT				
50	377003	1	SWITCH				
51	454423	2	CIRCUIT BREAKER				
52	387328	1	CIRCUIT BREAKER				
53	344621	1	GROMMET				
54	469858	2	STAND-OFF				
55	025363	1	DECAL, CAUTION				
56	377484	1	WEIGHT				
57	395452	3	CONTACTOR				
58	395450	2	CONTACTOR				

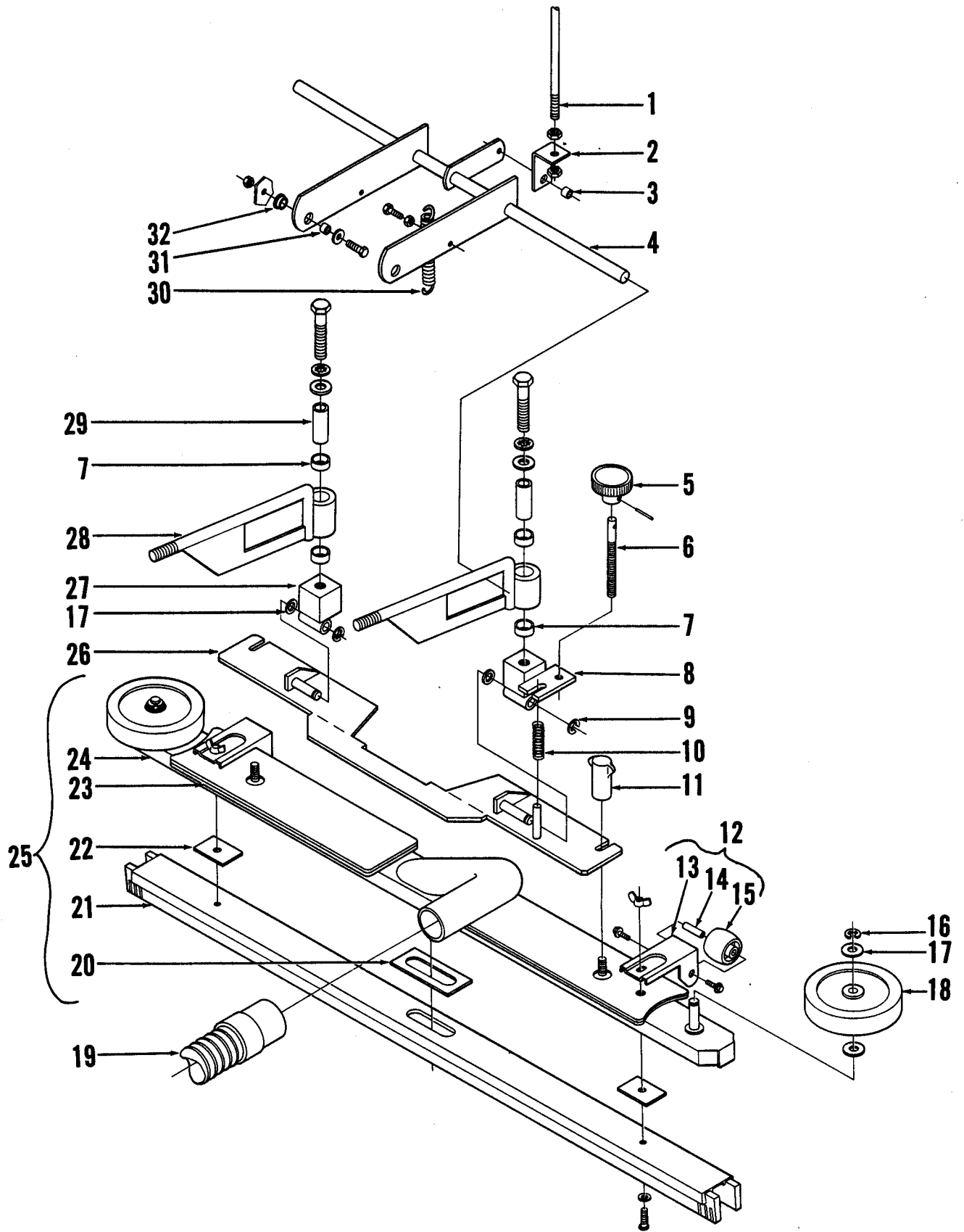


BRUSH DRIVE SYSTEM

Item	Part No.	Qty	Description	Item	Part No.	Qty	Description
1	321427	7	Retaining Ring	47	377244	6	Spacer Nut
2	388672	2	Pin	48	377253	6	Spring
3	377170	1	Yoke	49	376346	2	Solution Pipe
4	388518	1	Motor TSB 540, F-8	50	367192	2	Washer
*	388517	1	Carbon Brush Kit (for 388518)	51	377200	1	Motor Base, 320
*	470431	1	Carbon Brush kit (for 391627)		377150	1	Motor Base, 380
5	377648	1	Shield	52	448119	2	Spring
6	388019	1	Switch	53	377247	2	Filter Screen
7	377636	1	Lever	54	377010	2	Motor
8	475411	2	Bushing	*	503024	1	Replacement Field Housing (for 377010)
9	376015	2	Nut Plate				
10	377646	1	Bracket	55	207489	6	Bushing
11	388532	1	Switch	56	206058	2	Gasket
12	388520	1	Nut	57	180008	2	Bracket
13	377174	2	Screw	58	180032	2	Filter
14	377162	1	Bar	59	386691	2	Motor Cover
15	250694	1	Bearing	60	386988	4	Stand-Off
16	444820	2	Collar	61	760212	4	Grommet
17	377196	1	Bearing	62	377206	1	Bracket
18	740168	1	Key	63	200972	1	Bearing
19	377178	1	Lever	64	377176	1	Bar
20	377652	1	Guard	65	377220	1	Arm, 320
21	377650	1	Stop Plate		377186	1	Arm, 380
22	377212	1	Arm, 320	66	377208	1	Bracket, 320
	377194	1	Arm, 380		377160	1	Bracket, 380
23	367192	7	Washer	67	377218	1	Arm, 320
24	367486	1	Bushing		377194	1	Arm, 380
25	367168	7	Bearing	**	505780	2	Pad Holder-320
26	478781	2	Bearing	**	505781	2	Magna-Grit 46 Brush-320
27	367214	7	Washer	**	505782	2	Dyna-Grit 80 Brush-320
28	377632	2	Bracket	**	505783	2	Aglite-Grit 500 Brush-320
29	441236	6	Nut	**	505784	2	Prolene Brush-320
30	367206	6	Bushing	**	505785	2	Prolite Brush-320
31	377256	1	Arm, 320	**	505786	2	Union Mix Brush-320
	377194	1	Arm, 380	**	505787	2	MidGrit 240 Brush-320
32	377224	2	Lock	**	505788	2	MidLite 180 Brush-320
33	152811	2	Collar	**	505790	2	Pad Holder-380
34	171123	2	Spring	**	505791	2	Magna-Grit 46 Brush-380
35	377230	2	Handle	**	505792	2	Dyna-Grit 80 Brush-380
36	016974	2	Decal, Brush Lock	**	505793	2	Aglite-Grit 500 Brush-380
37	249952	2	Bushing	**	505794	2	Prolene Brush-380
38	377236	2	Bracket	**	505795	2	Prolite Brush-380
39	180196	2	Screw	**	505796	2	Union Mix Brush-380
40	180200	2	Washer	**	505797	2	MidGrit 240 Brush-380
41	364082	2	Brush Holder	**	505798	2	MidLite 180 Brush-380
42	366455	2	Stop Plate				
43	366463	2	Spring Clip				
44	151114	2	Washer				
45	370010	2	Key				
46	377248	1	Guide				

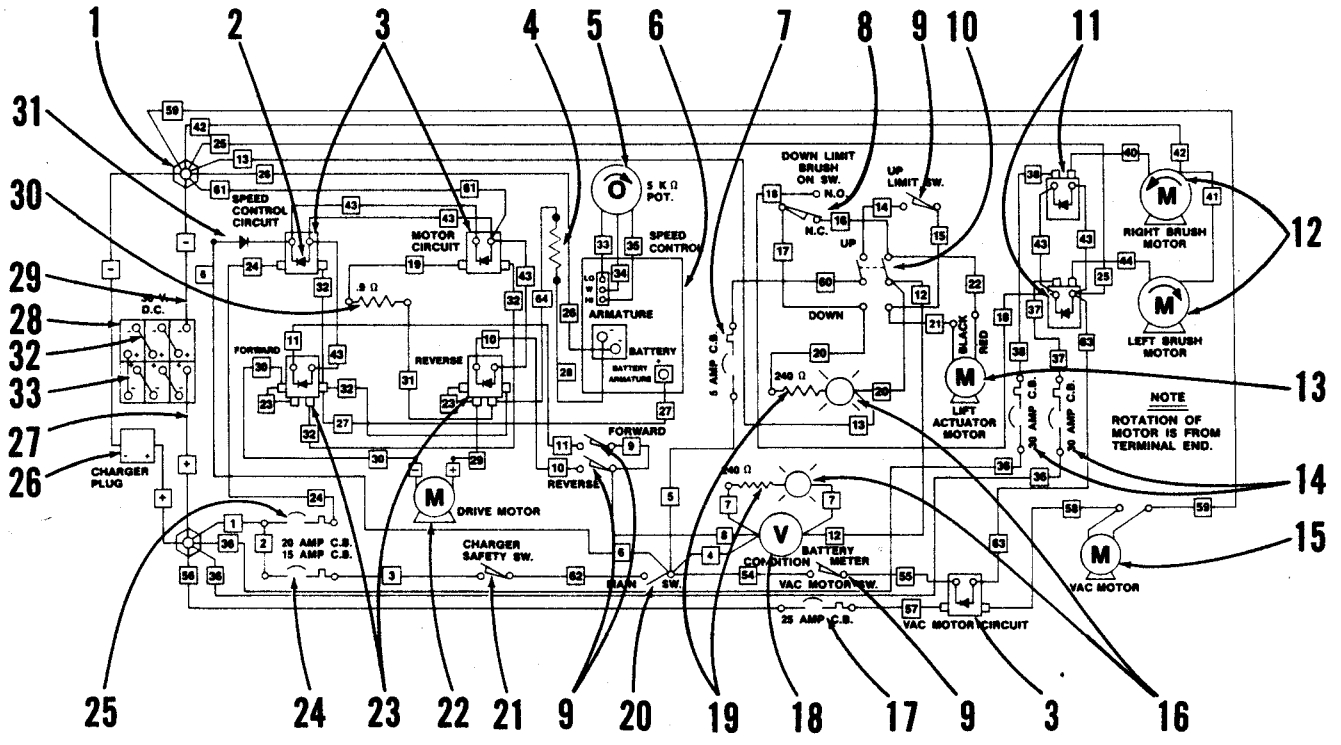
* = Not Shown

** = Optional, Not Included



SQUEEGEE SYSTEM

I	PART #	QTY	DESCRIPTION
1	377780	1	LIFTER ROD
2	377754	1	YOKE
3	163872	1	BUSHING
4	377744	1	SQUEEGEE LIFTER
5	217972	1	KNOB
6	377810	1	ADJUSTING ROD
7	453655	4	BEARING
8	377806	1	LEFT PIVOT CUBE
9	321427	2	RETAINING RING
10	171123	1	SPRING
11	370711	2	THUMB NUT
12	376485	2	ROLLER ASSEMBLY
13	376483	2	PLATE
14	387374	2	AXLE
15	329554	2	ROLLER
16	157060	2	RETAINING RING
17	371009	6	WASHER
18	228102	2	BUMPER WHEEL
19	377313	1	HOSE ASSEMBLY
20	400613	1	GASKET
21	377378	1	SQUEEGEE CARTRIDGE 320 TSB 590-FS
	377404	1	SQUEEGEE CARTRIDGE 380 TSB 590-FS
22	400614	2	GASKET
23	377388	4	PLATE 320
	377416	4	PLATE 380
24	377382	1	TOOL 320
	377402	1	TOOL 380
25	377380	1	SQUEEGEE ASSEMBLY 320
	377400	1	SQUEEGEE ASSEMBLY 380, TSB 401, G-6
26	377802	1	SQUEEGEE MOUNT
27	377804	1	RIGHT PIVOT CUBE
28	377758	2	ARM
29	377752	2	BUSHING
30	365769	1	SPRING
31	475411	2	BUSHING
32	324505	2	BEARING



WIRING DIAGRAM

I	PART #	QTY	DESCRIPTION
1	469858	2	STAND-OFF
2	389265	7	RECTIFIER ASSEMBLY
3	395452	3	CONTACTOR
4	389302	1	RESISTOR ASSEMBLY
5	454740	1	POTENTIOMETER
6	388540	1	SPEED CONTROL TSB 472, G-4
7	387328	1	CIRCUIT BREAKER
8	388532	1	SWITCH
9	388019	4	SWITCH
10	377003	1	ROCKER SWITCH
11	395450	2	CONTACTOR
12	377010	2	MOTOR REF TSB 515, F-13
13	388518	1	MOTOR
14	454423	2	CIRCUIT BREAKER
15	377470	1	VAC MOTOR
16	467410	2	INDICATOR LIGHT
17	469788	1	CIRCUIT BREAKER
18	448677	1	BATTERY CONDITION METER
19	395404	2	RESISTOR ASSEMBLY
20	376348	1	ROCKER SWITCH
21	376433	1	SWITCH
22	388585	1	DRIVE MOTOR
	388586	1	CARBON BRUSH SET
23	388534	2	SOLENOID
24	454538	1	CIRCUIT BREAKER
25	395454	1	CIRCUIT BREAKER
26	377710	1	CHARGER PLUG ASSEMBLY
	371408	1	CHARGER PLUG
27	389241	1	POSITIVE BATTERY CABLE
28	376014	6	BATTERY 6V. (OPTIONAL)
29	389244	1	NEGATIVE BATTERY CABLE
30	467470	1	RESISTOR
31	389299	1	DIODE ASSEMBLY
32	389232	4	BATTERY CABLE
33	456460	1	BATTERY CABLE