



Electronic Service Manuals

This electronic document is provided as a service to our customers. We do not create the contents of the information contained in this document. Should you have detailed questions pertaining to the information contained in this document, you may contact Michco, or the manufacturer which provided the original information in this electronic deliverable. Michco's only part in this electronic deliverable was the electronic assembly process.

You may contact Michco through the following methods:
Phone (517) 484-9312 or (800) 331-3339 MI, OH, IN only
2011 N. High St. -- Lansing, Michigan -- 48906
Fax: (517) 484-9836
Email: CustServ@Michco.com
Web site: www.Michco.Com
Parts Web site: www.FloorMachineParts.Com

Order Parts on Line at:
www.FloorMachineParts.Com

Directly to Parts & Service:
By Email: **Shop@Michco.com**
By Fax: (517) 702-2041
By Voice: Use numbers above.

Serving the Cleaning Industry Since 1922

Notice: All copyrighted material remains property of original owners, all trademarks are property of respective owners. Manuals are subject to Manufacturer's reproduction limitations. Originals or reproductions were provided by manufacturers through a request. We make no warranty as to the correctness of information provided in this document and you assume all risk.

CONVERTAMATIC TRAC 320, 380

MODELS 392000, 392300

THIS PARTS LIST IS FOR MACHINES
AFTER SERIAL NUMBER 338637

PARTS LIST



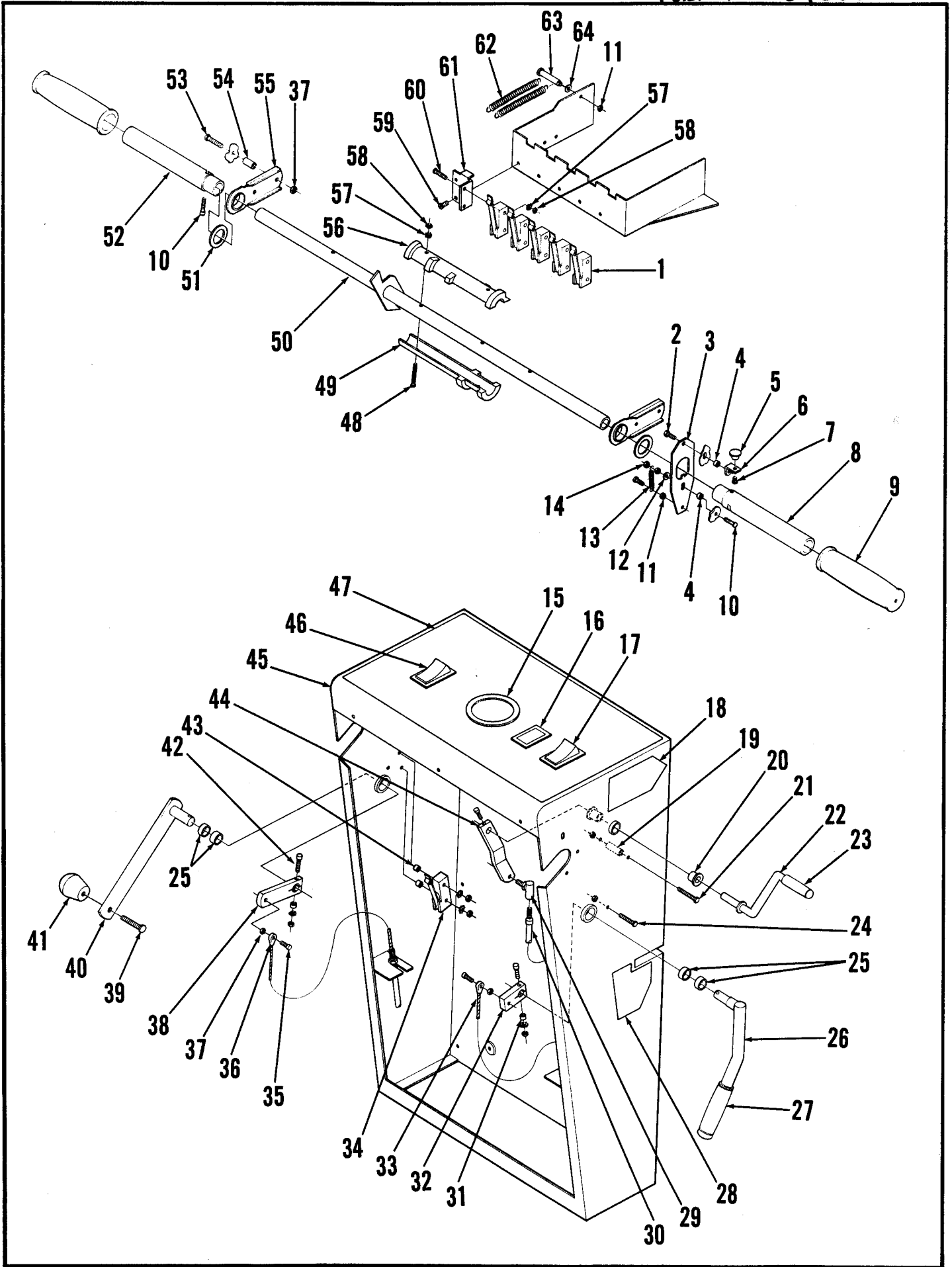
ADVANCE
MACHINE COMPANY

INTERNATIONAL HEADQUARTERS, Plymouth, MN 55447-3406
EUROPE, Llantrisant, Pontyclun, Mid-Glamorgan CF7 8YZ Wales, United Kingdom
CANADA, 1295 Crestlawn Drive, Mississauga, Ontario L4W 1A9



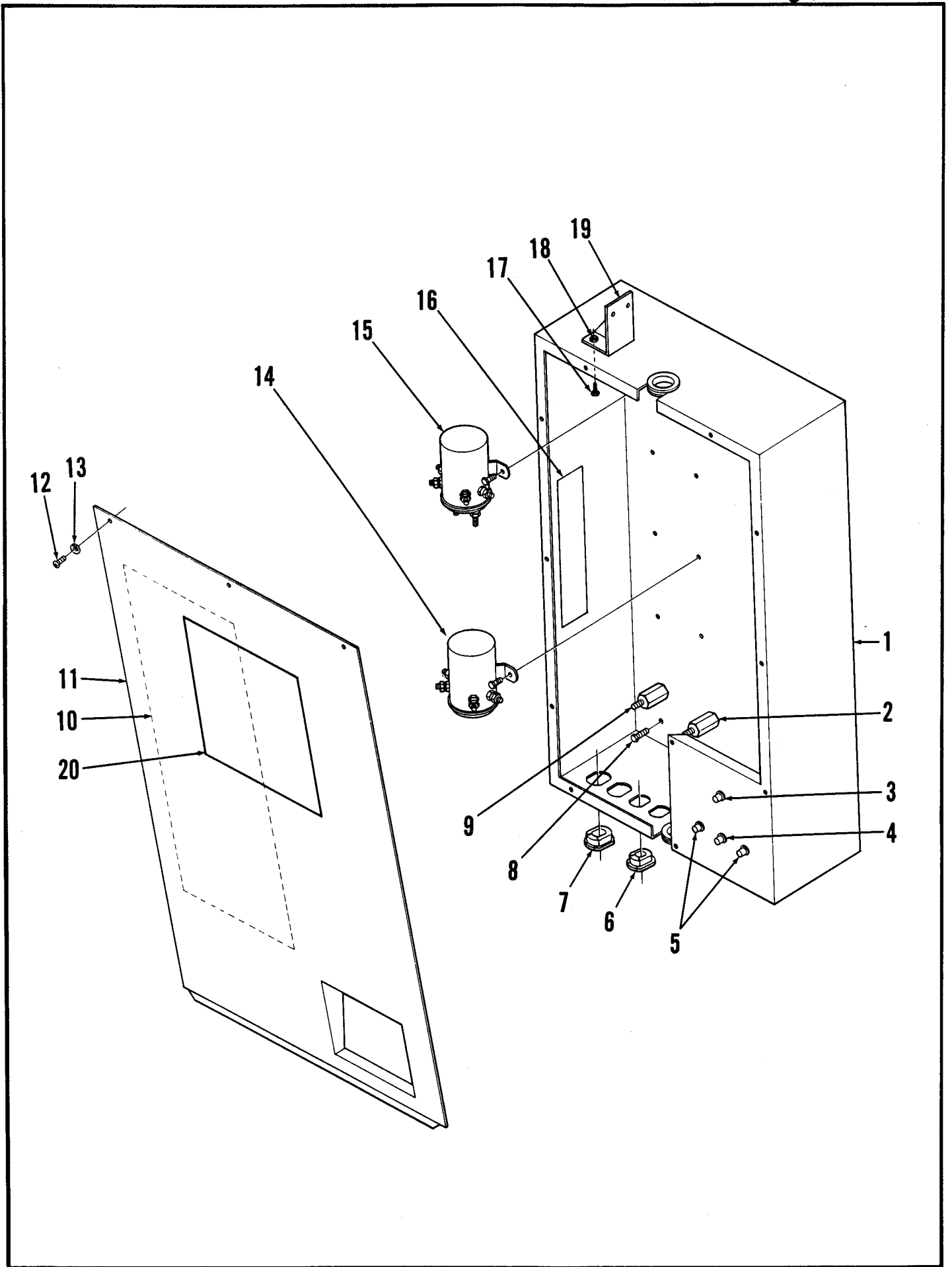
INDEX FOR FORM NUMBER 042210

<u>Description</u>	<u>Location</u>	<u>Page</u>
Brush Drive, Trac 320	B11	17
Brush Drive, Trac 380	B13	19
Brush Lift	B9	15
Casters, Skirts & Chassis	A12	5
Control Handle	A8	1
Electrical Panel	A10	3
Recovery Tank	B1	7
Solution Tank & Valve	B3	9
Squeegee	C1	21
Vacuum Motor	B5	11
Wheel Drive	B7	13
Wiring Diagram	C3	23



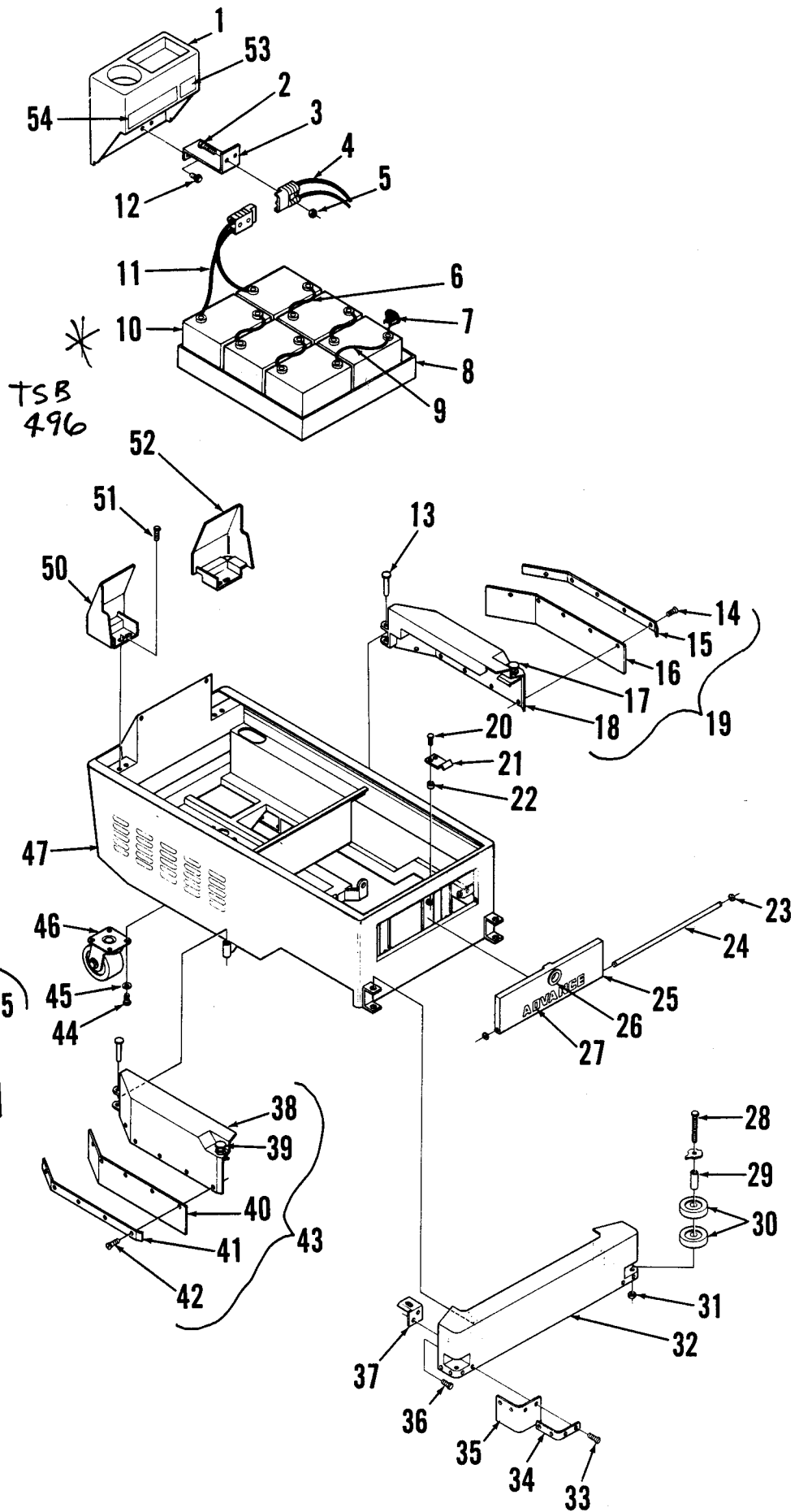
CONTROL HANDLE

Item	Part No.	Qty	Description	Item	Part No.	Qty	Description
	392491	1	Control Handle Assembly	46	377003	1	Switch
1	385615	5	Switch	47	014200	1	Decal, Control Panel
2		2	#10-24 x .75 Screw	48		2	#6-32 x 1.5 Screw
3	391492	1	Lock	49	391506	1	Lower Cam
4	151092	2	Bearing	50	391507	1	Tube
5	151017	1	Knob	51	367192	2	Washer
6	391493	1	Tab	52	261064	1	Tube
7		1	#10-24 x .38 Screw	53		4	1/4-20 x 1.5 Screw
8	391490	1	Tube	54	261066	4	Bushing
9	388545	2	Grip	55	261097	2	Bearing
10		3	#10-24 x 1 Screw	56	391505	1	Upper Cam
11		8	#10-24 Nut	57		12	#6 Shakeproof Washer
12		1	#10 Washer	58		12	#6-32 Nut
13	330178	1	Spring	59		10	#10-24 x .5 Screw
14		1	#10-24 Lock Nut	60		10	#6-32 x .88 Screw
15	448677	1	Battery Meter	61	391489	5	Bracket
16	467410	1	Indicator Light	62	358560	2	Spring
17	376348	1	Switch	63	900481	1	Bolt
18	014725	1	Decal, Important	64		1	#10 Lock Washer
19	471220	1	Bushing				
20	324505	2	Bearing				
21		1	#10-24 x .88 Screw				
22	391495	1	Solution Lever				
23	376486	1	Grip for 391495				
24		2	1/4-20 x .88 Screw				
25	366633	4	Bearing				
26	391501	1	Brake Lever				
27	391311	1	Grip for 391501				
28	014480	1	Decal, Caution				
29	488290	1	Ball Joint				
30	376320	1	Cable				
31	379298	2	Bushing				
32	391504	1	Lever				
33	391306	1	Cable				
34	388019	1	Switch				
35		2	1/4-20 x 1 Screw				
36	392490	1	Cable				
37		12	1/4-20 Nut				
38	391497	1	Lever				
39		1	5/16-18 x .75 Bolt				
40	391496	1	Squeegee Lift Lever				
41	364527	1	Knob				
42		2	1/4-20 x 1.25 Screw				
43	369004	2	Bushing				
44	391494	1	Lever				
45	391481	1	Control Panel				



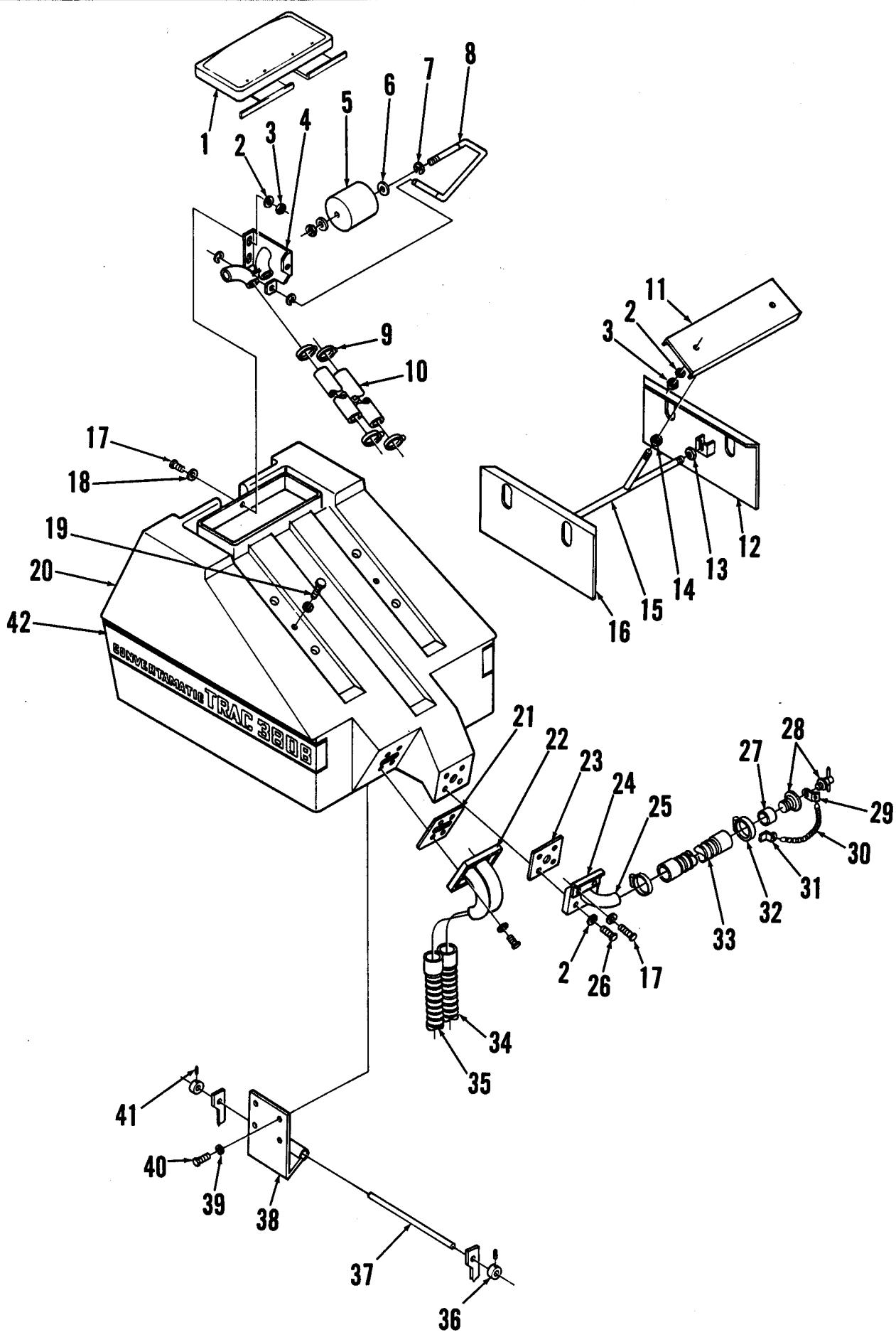
ELECTRICAL PANEL

Item	Part No.	Qty	Description
1	391498	1	Electrical Panel
2	469858	2	Stand Off
3	454429	1	Circuit Breaker 70A
4	387328	1	Circuit Breaker 5A
5	469788	2	Circuit Breaker 25A
6	382818	2	Strain Relief
7	740200	2	Strain Relief
8		20	1/4-20 x .38 Screw
9	454376	2	Stud
10	014643	1	Decal, Wiring
11	391477	1	Cover Panel
12		3	#10-24 x .5 Screw
13	449340	3	Washer
14	395452	4	Solenoid Contactor
15	388534	4	Solenoid Contactor
16	025363	1	Decal, Caution
17		4	#10-24 x .38 Screw
18		4	#10-24 Nut
19	391513	1	Bracket
20	014601	1	Decal, Caution



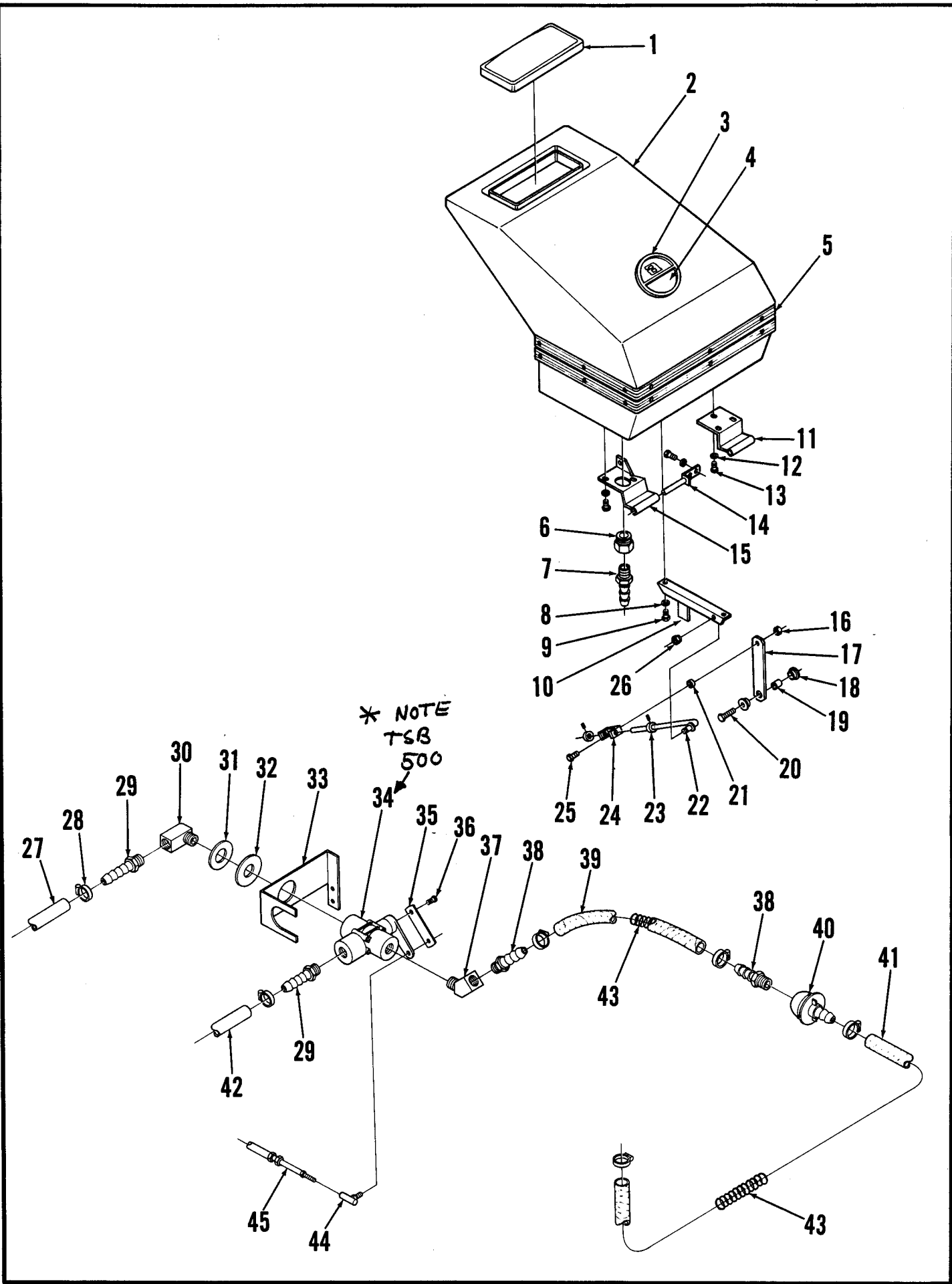
CHASSIS AND SKIRTS

Item	Part No.	Qty	Description	Item	Part No.	Qty	Description
1	392496	1	Tray	35	392380	2	Blade
2		2	1/4-20 X 1.5 Screw	36		4	1/4-20 X .75 Screw
3	392484	1	Bracket	37	392375	1	Right Bracket
4	392551	1	Connector		392376	1	Left Bracket (not shown)
5		4	1/4-20 Nut	38	392021	1	Right Guard 320
6	389232	4	Battery Cable		392369	1	Right Guard 380
7	372673	12	Boot	39	578214	1	Lock
8	389110	1	Battery Tray	40	392377	1	Skirt
9	456460	1	Battery Cable	41	392025	1	Right Strap 320
10	388503	6	Battery, 350 AH * TSB 496 - F3		392378	1	Right Strap 380
	372974	1	Charger, Auto. 20 Amp *	42		6	#10-24 X .5 Screw
	372955	1	Charger, Manual 20 Amp *	43	392014	1	Right Guard Assembly 320
11	392562	1	Connector		392510	1	Right Guard Assembly 380
12		2	1/4-20 X .38 Screw	44		8	3/8-16 X .5 Bolt
13	360147	2	Hinge Pin	45		8	3/8 Washer
14		6	#10-24 X .5 Screw	46	440450	2	Caster TSB 510 - F14, TSB 522 - F12
15	392025	1	Left Strap 320	47	392310	1	Chassis
	392379	1	Left Strap 380	48		2	#10-24 X .38 Screw
16	392377	1	Skirt	49		6	1/4-20 X .38 Screw
17	578214	1	Lock	50	392521	1	Right Corner
18	392018	1	Left Guard 320	51		4	1/4-20 X .38 Screw
	392370	1	Left Guard 380	52	392524	1	Left Corner
19	392013	1	Left Guard Assembly 320	53	014461	1	Decal, Cable Route
	392511	1	Left Guard Assembly 380	54	014726	1	Decal, Important
20		2	1/4-20 X .5 Screw	55	900753	2	Tie Mount
21	391776	1	Clip	56	392527	1	Resistor Mount
22	369004	2	Bushing	57	261221	2	Resistor
23	321125	2	Retaining Ring	58	467470	1	Resistor
24	391781	1	Rod	59	392539	1	Bracket
25	392362	1	Front Panel	60	392540	1	Resistor Assembly
26	344621	1	Grommet				
27	014637	1	Decal, Advance				
28		2	1/4-20 X 2.25 Bolt				* = not included
29	386823	2	Bushing				
30	324499	4	Wheel				
31		6	Nut				
32	392016	1	Front Bumper 320				
	392012	1	Front Bumper Assembly 320 (#28-37)				
	392363	1	Front Bumper 380				
	392509	1	Front Bumper Assembly 380 (#28-37)				
33		8	#10-24 X .5 Screw				
34	392381	2	Strap				



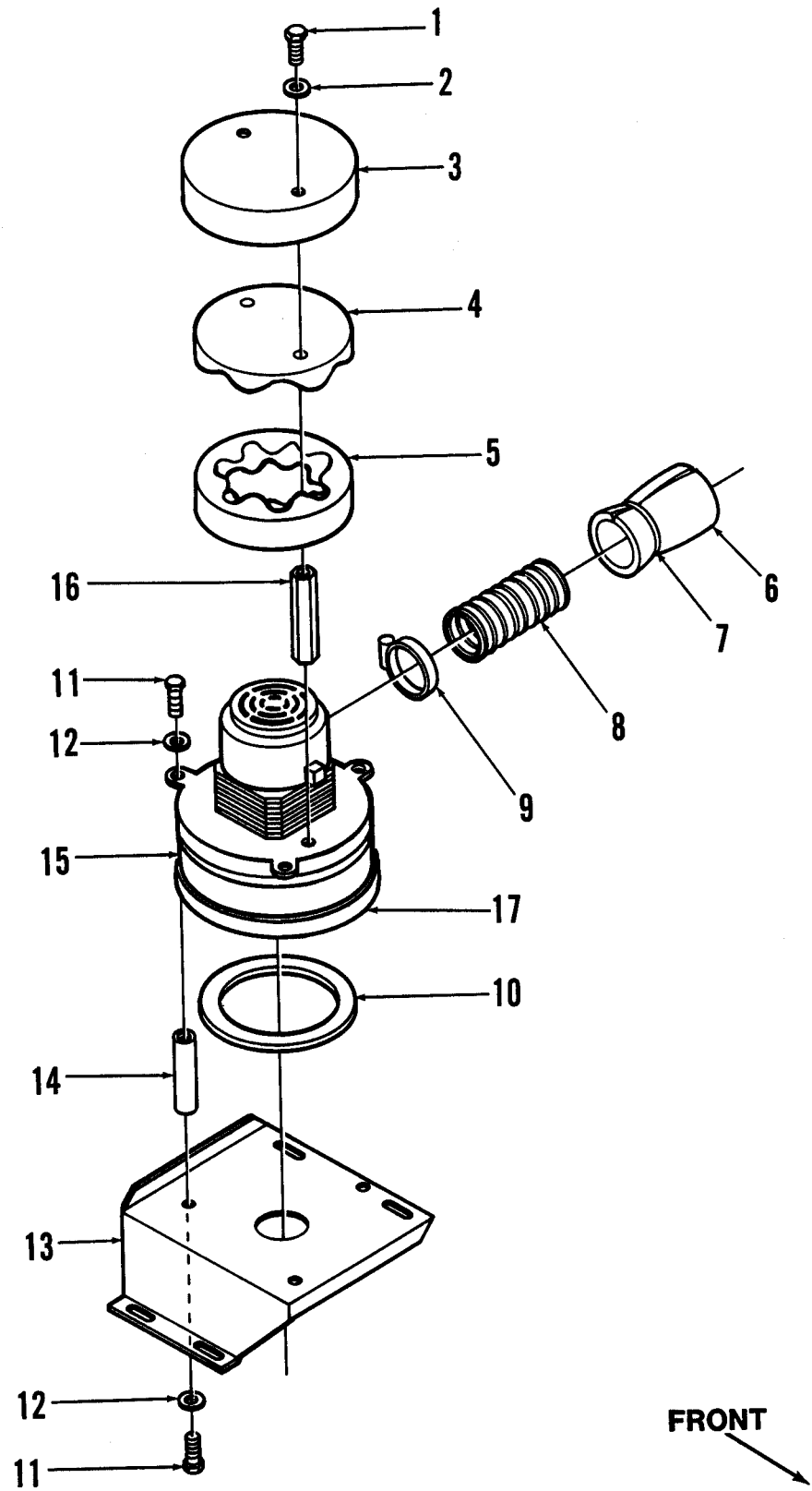
RECOVERY TANK

Item	Part No.	Qty	Description
	392570	1	Recovery Tank Assembly (#1-26)
1	261364	1	Cover with Gasket TSB 533 - F10
2		15	1/4 Washer
3		6	1/4-20 Nut
4	391719	1	Float Bracket TSB 526 - F11
5	385349	1	Float TSB 526 - F11
6	454626	2	Washer TSB 526 - F11
7	321125	3	Retaining Ring
8	391723	1	Rod TSB 526 - F11
9	329145	4	Hose Clamp
10	391745	2	Hose
11	391817	1	Channel
12	391820	1	Bracket
13		4	5/8-11 Nut
14		1	1/2-13 Nut
15	391824	1	Rod
16	391821	1	Bracket
17		3	1/4-20 x .62 Screw
18	900737	5	Sealing Washer
19		2	1/4-20 x 1 Screw
20	391705	1	Recovery Tank
21	391313	1	Gasket
22	392547	1	Adapter
23	391312	1	Gasket
24	392560	1	Stop
25	392529	1	Adapter
26		8	1/4-20 x .88 Screw
27	376940	1	Tube
28	376948	1	Plug
29	376942	1	Clip
30	209992	1	Chain
31	376944	1	Clip
32	329145	2	Hose Clamp
33	260820	1	Drain Hose
34	392564	1	Hose (to vacuum motor)
	209957	1	Hose Cuff needed with 392564
35	392563	1	Hose (to squeegee)
	209957	1	Hose Cuff needed with 392563
36	392473	4	Collar
37	392472	2	Pin
38	392469	2	Hinge
39		8	1/4 Washer
40		8	1/4-20 x .5 Screw
41		4	#10-24 x .38 Screw
42	014646	2	Decal, 320
	014582	2	Decal, 380



SOLUTION TANK AND VALVE ASSEMBLY

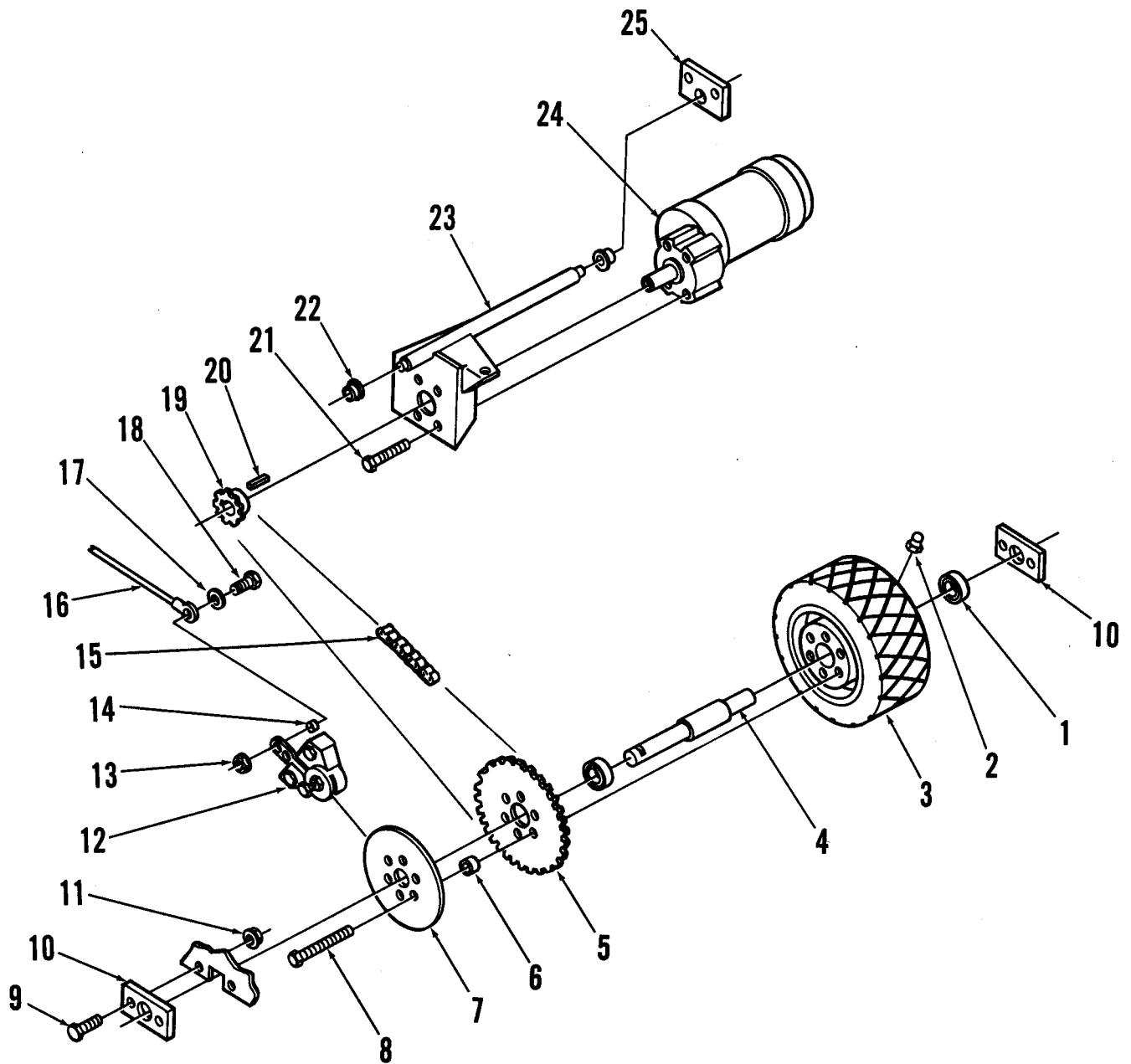
Item	Part No.	Qty	Description
	392528	1	Solution Tank Assembly (#1-10)
1	261204	1	Cover
2	391702	1	Tank
3	016398	1	Emblem
4	025166	1	Decal
5	391796	2	Bumper
	391797	2	Bumper Strap
	391934	1	Bumper Mounting Panel
6	900757	1	Adapter
7	118117	1	Barb
8		2	1/4 Washer
9		2	1/4-20 x .5 Screw
10	391742	1	Stop
11	391737	1	Hinge
12		10	1/4 Washer
13		10	1/4-20 x .5 Screw
14	391735	2	Hinge Pin
15	391740	1	Hinge
16	759060	1	Nut
17	392389	1	Lever
18	185264	2	Bearing
19	391733	1	Bushing
20		1	3/8-16 x 1.5 Bolt
21	163872	1	Bushing
22	391734	1	Rod
23	331076	2	Collar
24	391731	1	Yoke
25		1	1/4-20 x .62 Screw
26	759058	1	Nut
27	391803	1	Hose
28	219932	6	Hose Clamp
29	749202	2	Barb
30	742125	1	Elbow
31	748926	1	Washer
32	249977	1	Gasket
33	392420	1	Bracket
34	454612	1	Valve TSB 500 - G2
35	391836	1	Strap
36		1	#10-24 x .62 Screw
37	900240	1	Elbow
38	118117	2	Barb
39	261263	1	Hose
40	386109	1	Filter
	386108	1	Screen needed for 386109
41	395870	1	Hose
42	391802	1	Hose
43	488290	1	Ball Joint
44	376320	1	Cable
45	488290	1	Ball Joint



VACUUM MOTOR

Item	Part No.	Qty	Description
1		2	#6-32 x .5 Screw
2		2	#6 Washer
3	391794	1	Cover
4	391808	1	Foam
5	391809	1	Foam
6	391807	1	Foam
7	478246	1	Cable Tie
8	323076	1	Hose
9	440213	1	Hose Clamp
10	385437	1	Gasket
11		6	1/4-20 x .5 Screw
12		6	1/4 Washer
13	392401	1	Motor Mount
14	377474	3	Stand Off
15	377470	1	Vacuum Motor TSB 526 - F11
*	377473	1	Carbon Brush Set
*	372588	3	Rotating Fan
*	228051	2	Ball Bearing
16	391795	2	Stand Off
17	384898	1	Filter

* = Repair Parts for Vac Motor

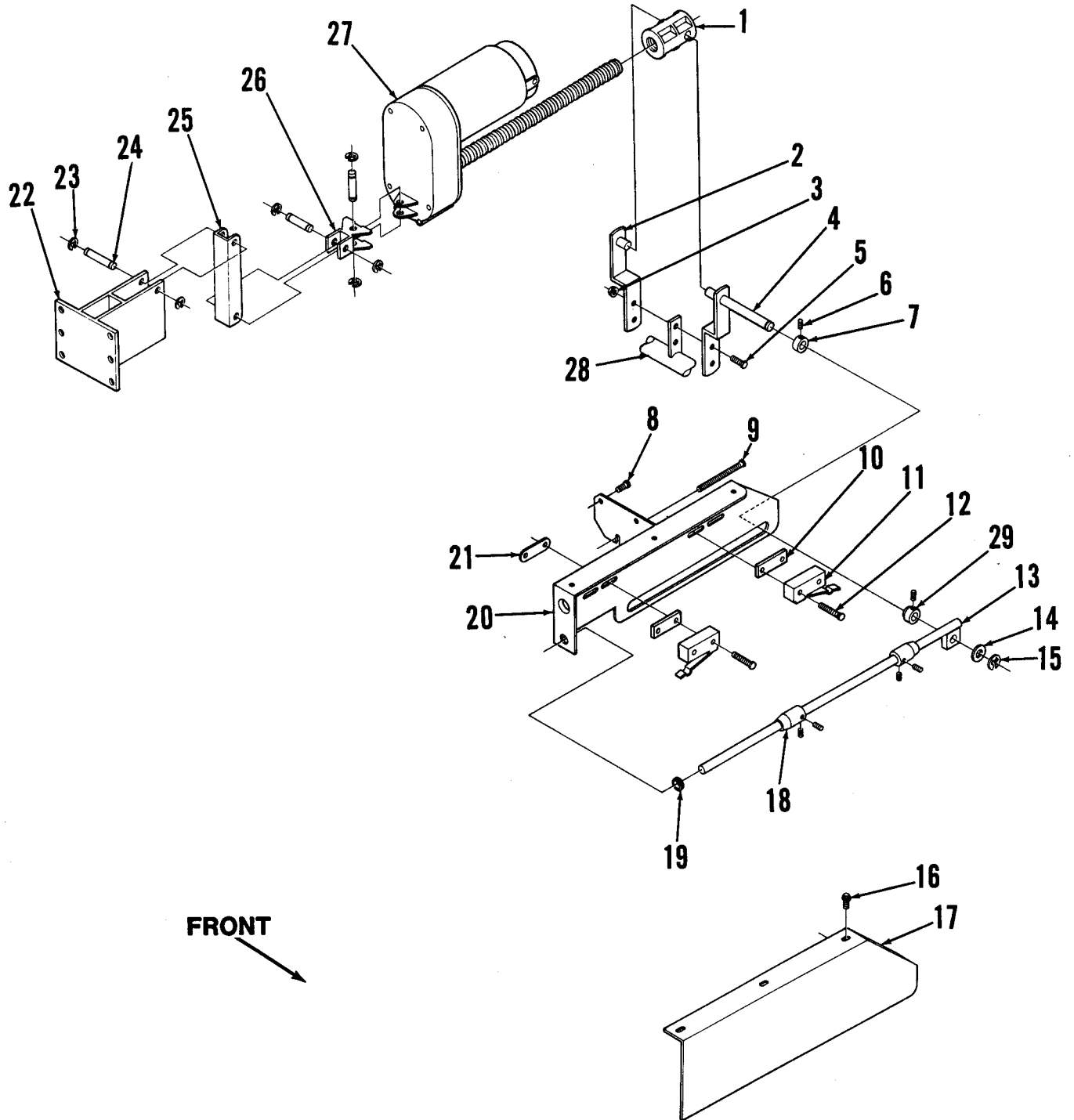


FRONT
↘

DRIVE WHEEL

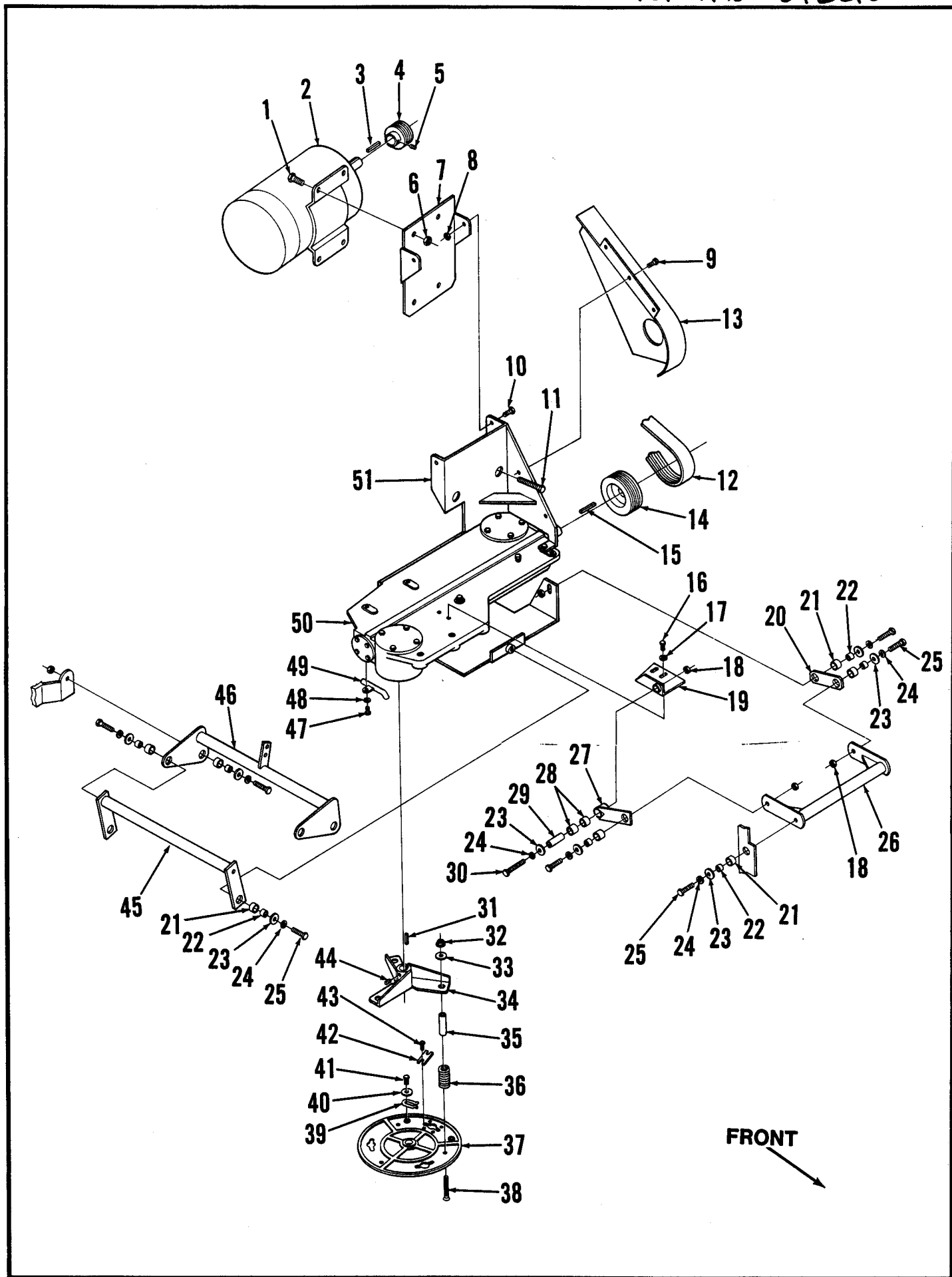
Item	Part No.	Qty	Description
	391538	1	Wheel and Axle Assembly (#1-8)
1	378380	2	Ball Bearing
2	344362	1	Lube Fitting
3	376628	1	Wheel
4	391534	1	Axle
5	388700	1	Sprocket
6	391539	6	Bushing
7	391537	1	Brake Disc
8		6	5/16-18 x 2.75 Bolt
9		4	5/16-18 x .5 Bolt
10	391536	2	Pillow Block
11		4	5/16-18 Nut
12	391301	1	Brake
13		1	#10-24 Nut
14	200123	1	Bushing
15	391310	1	Chain
16	391306	1	Brake Cable
17		1	#10 Washer
18		1	#10-24 x .5 Screw
19	471148	1	Sprocket
20	740168	1	Key
21		4	3/8-16 x 1 Bolt
22	111503	2	Bearing
23	391530	1	Drive Motor Mount
24	388585	1	Motor TSB 506 - G1
25	391535	1	Pillow Block
*		1	Chain Tension Bolt, 3/8-16 x 2-1/2

* = Not Shown



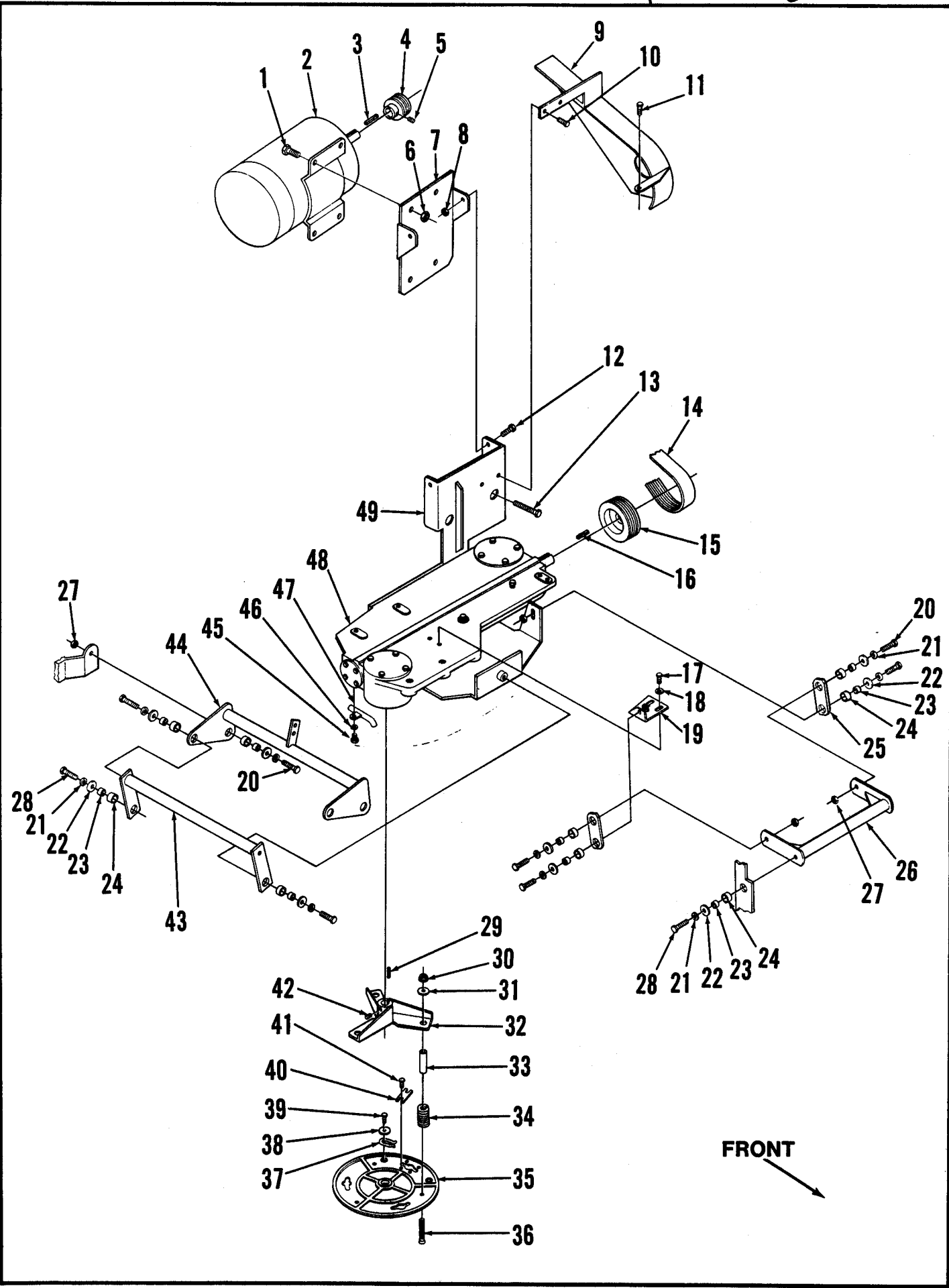
BRUSH LIFT MOTOR

Item	Part No.	Qty	Description
1	388520	1	Nut
2	392480	1	Yoke
3		2	5/16-18 Nut
4	392481	1	Yoke
5		2	5/16-18 x 1 Bolt
6		6	#10-24 x .38 Screw
7	331076	1	Collar
8		2	1/4-20 x .5 Screw
9	900754	1	Bolt
10	392482	2	Spacer
11	388019	2	Switch
12		4	#6-32 x 1 Screw
13	392425	1	Rod
14		1	Spring Washer
15	321427	1	Retaining Ring
16		3	#6-32 x .38 Screw
17	392498	1	Switch Cover
18	388036	2	Collar
19	329098	1	Bushing
20	392421	1	Limit Switch Plate
21	376015	2	Nut Plate
22	392427	1	Gear Motor Mount
23	321427	6	Retaining Ring
24	402995	3	Pin
25	392451	1	Arm
26	392454	1	Yoke
27	392549	1	Brush Lift Motor TSB 540 - F8
*	388517	1	Carbon Brush Kit(used on 392549)
*	470431	1	Carbon Brush Kit(used on 391627)
28	392435	1	Torsion Bar
29	392473	1	Collar



BRUSH DRIVE TRAC 320

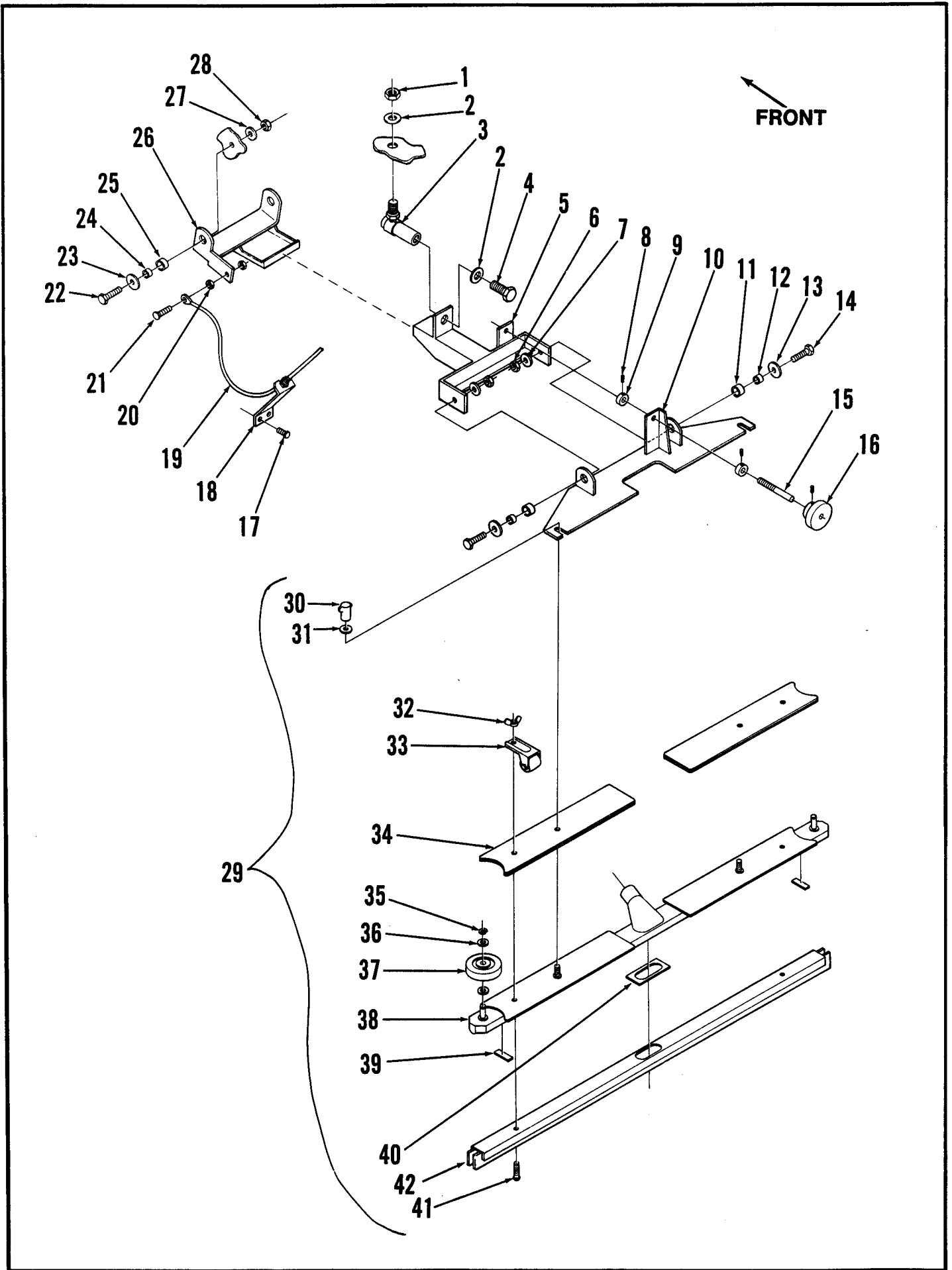
Item	Part No.	Qty	Description	Item	Part No.	Qty	Description
1		4	1/4-20 x .5 Screw	32	759062	6	Nut
2	392489	1	Motor	33	752278	6	Washer
	448729	1	Carbon Brush Set for 392489	34	392396	2	Adapter
3	367958	1	Key	35	392530	6	Spacer
4	392552	1	Sheave	36	392513	6	Spring
5		1	5/16-18 x .38 Bolt	37	391611	2	Brush Holder
6		4	1/4-20 Nut	38	900139	6	Bolt
7	392424	1	Motor Bracket	39	366463	2	Retaining Spring
8		4	5/16-18 Nut	40	151114	2	Washer
9		3	1/4-20 x .38 Screw	41		2	#8-32 x .38 Screw
10		2	5/16-18 x .5 Bolt	42	366455	4	Stop Plate
11	900772	2	Bolt	43		8	#6-32 x .38 Screw
12	392497	1	Belt	44		3	5/16-18 x .38 Bolt
	392047	1	Gear Case Assembly (#13-51)	45	392441	1	Torsion Bar
13	392043	1	Belt Guard	46	392435	1	Torsion Bar
14	392557	1	Sheave	47		2	3/8-16 x .5 Bolt
15	378704	1	Key	48		2	3/8 Washer
16		2	5/16-18 x .75 Bolt	49	391604	2	Solution Pipe
17		2	5/16 Washer	50	392048	1	Gear Box Assy TSB616, F-4
18		6	3/8-16 Nut	51	392041	1	Cradle Plate
19	392029	1	Bracket	**	505780	2	Pad Holder
20	392450	1	Arm	**	505781	2	Magna-Grit 46 Brush
21	478781	11	Bearing	**	505782	2	Dyna-Grit 80 Brush
22	392449	11	Bushing	**	505783	2	Aglite-Grit 500 Brush
23		12	3/8 Washer	**	505784	2	Prolene Brush
24		12	3/8 Lock Washer	**	505785	2	Prolite Brush
25		6	3/8-16 x 1.25 Bolt	**	505786	2	Union Mix Brush
26	392431	1	Torsion Bar	**	505787	2	MidGrit 240 Brush
27	392045	1	Arm	**	505788	2	MidLite 180 Brush
28	367168	2	Bearing				
29	392046	1	Bushing				
30		1	3/8-16 x 1-1/2 Bolt	** = Not Included			
31	740168	2	3/16 x 1 Key				



BRUSH DRIVE TRAC 380

Item	Part No.	Qty	Description	Item	Part No.	Qty	Description
1		4	1/4-20 x .5 Screw	30	759062	6	Nut
2	392489	1	Motor	31	752278	6	Washer
	448729	1	Carbon Brush Set for 392489	32	392396	2	Adapter
2	367958	1	Key	33	392530	6	Spacer
4	392552	1	Sheave	34	392513	6	Spring
5		1	5/16-18 x .38 Bolt	35	391611	2	Brush Holder
6		4	1/4-20 Nut	36	900139	6	Bolt
7	392424	1	Motor Bracket	37	366463	2	Retaining Spring
8		4	5/16-18 Nut	38	151114	2	Washer
9	392488	1	Belt Guard	39		2	#8-32 x .38 Screw
10		2	1/4-20 x .38 Screw	40	366455	4	Stop Plate
11		1	3/8-16 x .5 Bolt	41		8	#6-32 x .38 Screw
12		2	5/16-18 x .5 Bolt	42		3	5/16-18 x .38 Bolt
13	900772	2	Bolt	43	392441	1	Torsion Bar
14	392497	1	Belt	44	392435	1	Torsion Bar
	392565	1	Gear Case Assembly (#15-49)	45		2	3/8-16 x .5 Bolt
15	392400	1	Sheave	46		2	3/8 Washer
16	378704	1	Key	47	391604	2	Solution Pipe
17		2	5/16-18 x .75 Bolt	48	392395	1	Gear Box Assembly
18		2	5/16 Washer	49	392402	1	Cradle Plate
19	392444	1	Bracket	**	505790	2	Pad Holder
20		6	3/8-16 x 1.25 Bolt	**	505791	2	Magna-Grit 46 Brush
21		12	3/8 Lock Washer	**	505792	2	Dyna-Grit 80 Brush
22		12	3/8 Washer	**	505793	2	Ag-lite-Grit 500 Brush
23	392449	12	Bushing	**	505794	2	Prolene Brush
24	478781	12	Bearing	**	505795	2	Prolite Brush
25	392450	2	Arm	**	505796	2	Union Mix Brush
26	392431	1	Torsion Bar	**	505797	2	MidGrit 240 Brush
27		6	3/8-16 Nut	**	505798	2	MidLite 180 Brush
28		6	3/8-16 x 1 Bolt				
29		2	Key				

** = Not Included

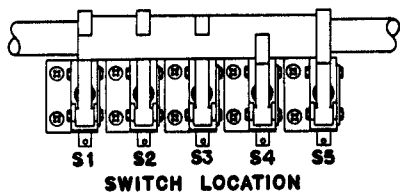
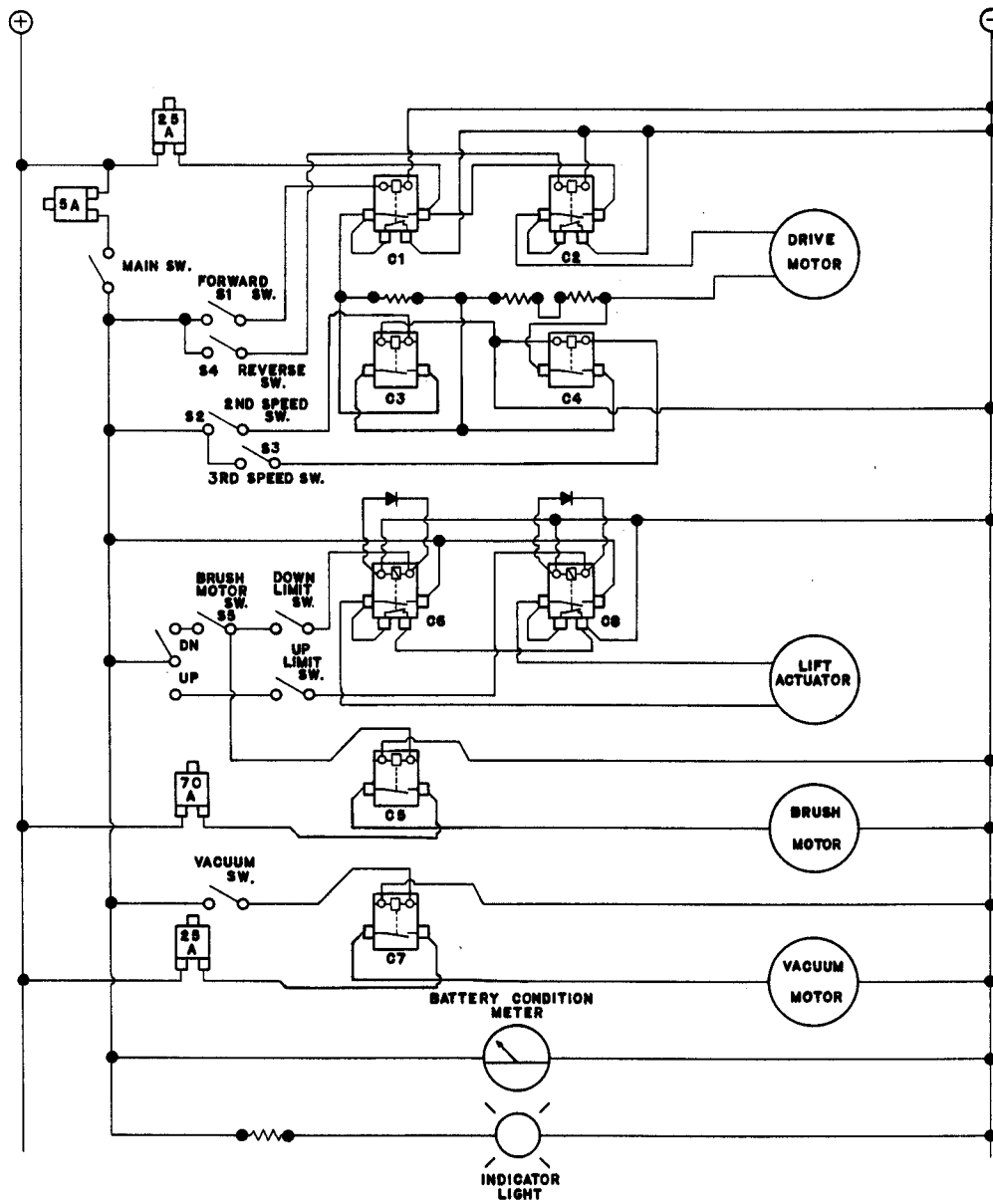


SQUEEGEE AND MOUNT

Item	Part No.	Qty	Description
	391850	1	Squeegee Mount Assembly (#I-16)
1		1	3/4-16 Nut
2		2	3/4 Shakeproof Washer
2	391864	1	Ball Joint
4		1	3/4-16 x 1.25 Bolt
5	391866	1	Mount Bracket
6		2	1/2-13 Nut
7		2	1/2 Shakeproof Washer
8		3	#10-24 x .25 Screw
9	331076	2	Collar
10	391858	1	Mount Plate
11	478781	2	Bearing
12	360627	2	Bushing
13	367214	2	Washer
14		2	1/2-13 x 1.25 Bolt
15	391855	1	Rod
16	475480	1	Knob
17		2	#10-24 x .38 Screw
18	392483	1	Cable Bracket
19	392490	1	Squeegee Lift Cable
20		2	#10-24 Nut
21		1	#10-24 x .62 Screw
22		2	1/2-13 x 1.25 Bolt
23	367214	2	Washer
24	360627	2	Bushing
25	478781	1	Bearing
26	391860	1	Lift Bracket
27		2	1/2 Shakeproof Washer
28		2	1/2-13 Nut
29	392031	1	Squeegee Assembly 320 (#29-42)
	392567	1	Squeegee Assembly 380 (#29-42)
30	370711	1	Thumb Nut
31		2	5/16 Washer
32		2	1/4-20 Nut
33	376485	2	Roller
34	377388	4	Plate 320
	377416	4	Plate 380
35	157060	2	Retaining Ring
36	371009	4	Washer
37	228102	2	Wheel
38	392032	1	Channel 320
	392568	1	Channel 380
39	400614	2	Gasket
40	400613	1	Gasket
41		2	1/4-20 x .75 Screw
42	377378	1	Squeegee Cartridge 320 TSB 590 - F5
	377404	1	Squeegee Cartridge 380 TSB 590 - F5

Optional Curved Squeegee & Blade Kits

392644	1	Complete Curved Squeegee Tool
377718	1	Gum Rubber Blade Kit
377716	1	Neoprene Blade Kit



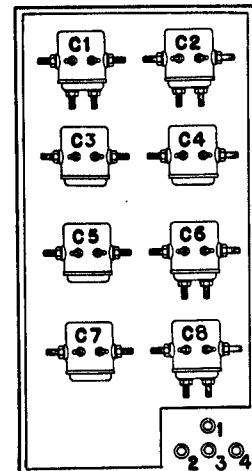
S1 FORWARD
S2 2ND SPEED
S3 3RD SPEED
S4 REVERSE
S5 BRUSH MOTOR

CONTACTORS

- C1 FORWARD
- C2 REVERSE
- C3 2ND SPEED
- C4 3RD SPEED
- C5 BRUSH MOTOR
- C6 BRUSH DOWN
- C7 VACUUM MOTOR
- C8 BRUSH UP

CIRCUIT BREAKERS

- 1 BRUSH MOTOR
- 2 DRIVE MOTOR
- 3 CONTROL CIRCUIT
- 4 VACUUM MOTOR



CONTACTOR LOCATION