



Electronic Service Manuals

This electronic document is provided as a service to our customers. We do not create the contents of the information contained in this document. Should you have detailed questions pertaining to the information contained in this document, you may contact Michco, or the manufacturer which provided the original information in this electronic deliverable. Michco's only part in this electronic deliverable was the electronic assembly process.

You may contact Michco through the following methods:
Phone (517) 484-9312 or (800) 331-3339 MI, OH, IN only
2011 N. High St. -- Lansing, Michigan -- 48906
Fax: (517) 484-9836
Email: CustServ@Michco.com
Web site: www.Michco.Com
Parts Web site: www.FloorMachineParts.Com

Order Parts on Line at:
www.FloorMachineParts.Com

Directly to Parts & Service:
By Email: **Shop@Michco.com**
By Fax: (517) 702-2041
By Voice: Use numbers above.

Serving the Cleaning Industry Since 1922

Notice: All copyrighted material remains property of original owners, all trademarks are property of respective owners. Manuals are subject to Manufacturer's reproduction limitations. Originals or reproductions were provided by manufacturers through a request. We make no warranty as to the correctness of information provided in this document and you assume all risk.

OPERATOR MANUAL

Advance

Aquamatic Selectric™

Model 56263500

This parts list is for machines after serial number 470048



**Nilfisk
Advance**

setting standards

revised 11/00 FORM NUMBER 56041244

INDEX

	PAGE
AFTER USE	8
GROUNDING INSTRUCTIONS	4
IMPORTANT SAFETY INSTRUCTIONS	3
INTRODUCTION	2
KNOW YOUR MACHINE	6
MAINTENANCE	9
OPERATION.....	7
PREPARING THE MACHINE FOR USE	5

INTRODUCTION

This manual will help you get the most from your **Advance AquaMatic Selectric™**. Read it thoroughly before operating the machine.

This product is intended for commercial use only.

PARTS AND SERVICE

Repairs, when required, should be performed by your Authorized Advance Service Center, who employs factory trained service personnel, and maintains an inventory of Advance original replacement parts and accessories.

Call the ADVANCE DEALER named below for repair parts or service. Please specify the Model number and Serial number when discussing your machine.

(Dealer, affix service sticker here.)

NAME PLATE

The Model Number and Serial Number of your machine are shown on the Nameplate on the right side of the machine. This information is needed when ordering repair parts for the machine. Use the space below to note the Model Number and Serial Number of your machine for future reference.

MODEL NUMBER _____

SERIAL NUMBER _____

UNCRATING

When the machine is delivered, carefully inspect the shipping carton and the machine for damage. If damage is evident, save the shipping carton so that it can be inspected by the trucking company that delivered it. Contact the trucking company immediately to file a freight damage claim.

IMPORTANT SAFETY INSTRUCTIONS

When using an electrical appliance, basic precautions should always be followed, including the following:

Read all instructions before use.

WARNING!

To reduce the risk of fire, electric shock, or injury:

- Do not leave the appliance when it is plugged in. Unplug the unit from the outlet when not in use and before servicing.

WARNING!

- To avoid electric shock, use indoors only.
- Do not allow to be used as a toy. Close attention is necessary when used by or near children.
- Use only as described in this manual. Use only the manufacturer's recommended attachments.
- Do not use with a damaged cord or plug. If the appliance is not working as it should, has been dropped, damaged, left outdoors, or dropped into water, return it to a service center.
- Do not pull or carry by cord, use cord as a handle, close a door on cord, or pull cord around sharp edges or corners. Do not run appliance over cord. Keep cord away from heated surfaces.
- Do not unplug by pulling on cord. To unplug, grasp the plug, not the cord.
- Do not handle plug or appliance with wet hands.
- Do not put any object into openings. Do not use with any opening blocked; keep free of dust, lint, hair, and anything that may reduce air flow.
- Keep hair, loose clothing, fingers, and all parts of body away from openings and moving parts.
- Do not pick up anything that is burning or smoking, such as cigarettes, matches, or hot ashes.
- Turn off all controls before unplugging.
- Use extra care when cleaning on stairs.
- Do not use to pick up flammable or combustible liquids such as gasoline or use in areas where they may be present.
- Connect to a properly grounded outlet only. See Grounding Instructions.

SAVE THESE INSTRUCTIONS

GROUNDING INSTRUCTIONS

This appliance must be grounded. If it should electrically malfunction, grounding provides a path of least resistance for electric current to reduce the risk of electric shock. This appliance is equipped with a cord having an equipment-grounding conductor and grounding plug. The plug must be plugged into an appropriate outlet that is properly installed and grounded in accordance with all local codes and ordinances.

DANGER!

Improper connection of the equipment-grounding conductor can result in a risk of electric shock. Check with a qualified electrician or service person if you are in doubt as to whether the outlet is properly grounded. Do not modify the plug provided with the appliance. If it will not fit the outlet, have a proper outlet installed by a qualified electrician.

This appliance is for use on a nominal 120-volt circuit, and has a grounding plug that looks like the plug illustrated in Figure 1 below. A temporary adapter illustrated in Figures 2 and 3 may be used to connect this plug to a 2-pole receptacle as shown in Figure 2 if a properly grounded outlet is not available. The temporary adapter should be used only until a properly grounded outlet (Figure 1) can be installed by a qualified electrician. The green-colored rigid ear, tab, or the like extending from the adapter must be connected to a permanent ground such as a properly grounded outlet box cover. Whenever the adapter is used, it must be held in place by a metal screw.

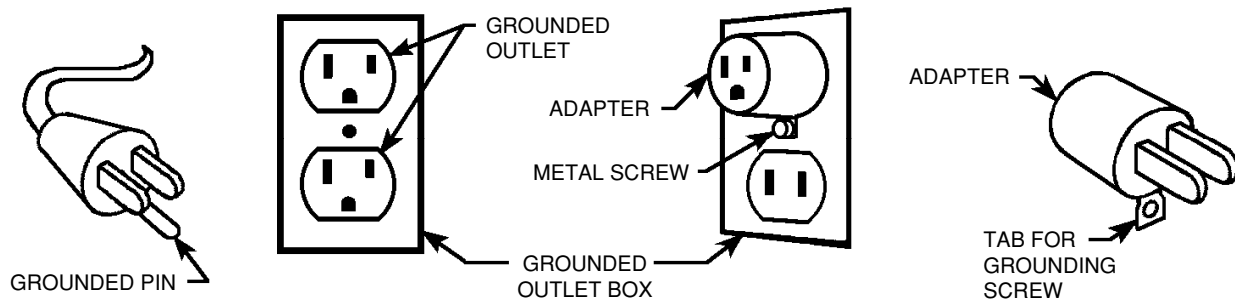


Figure 1

Figure 2

Figure 3

PREPARING THE MACHINE FOR USE

FILL THE SOLUTION TANK

1. Lift the front Solution Fill Cover off the machine.
2. Read the dilution instructions on the chemical container. Then figure the proper amount of chemical to mix with 25 gallons (94.5 liters) of water. For best results, use the Advance CarpeTeam™ Extraction Cleaner chemical specially formulated for use with Advance carpet extractors.
3. Pour the chemical in the solution tank and fill the tank with warm water to 1-3/4 inches below the inside edge of the opening.
4. Put the Solution Fill Cover back on the machine.

CAUTION!

Use only low-sudsing, liquid detergents designed for carpet extraction.

PRE-SPRAY THE CARPET

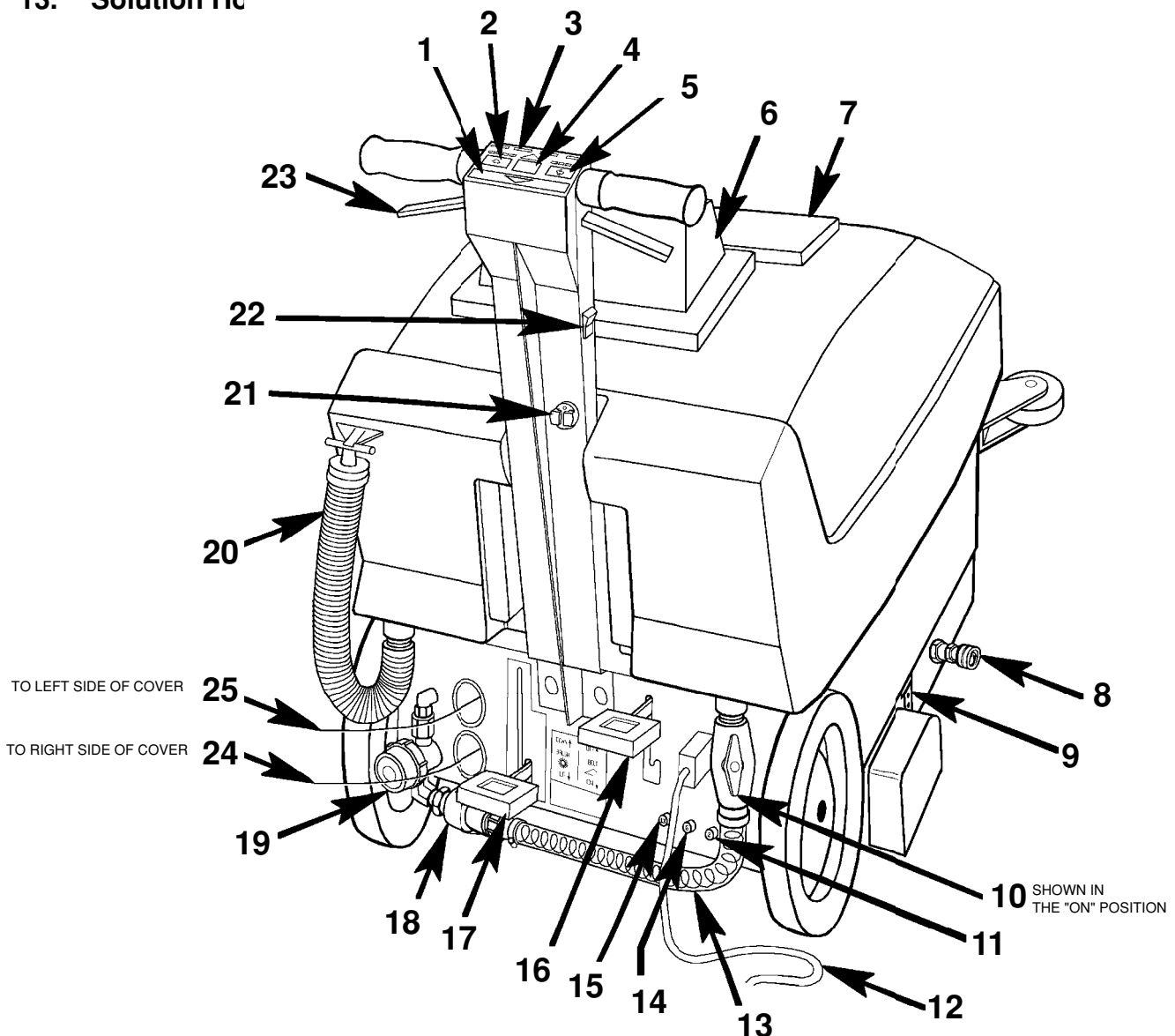
Pre-spray spots and heavy traffic areas before extracting. Use a hand-held bottle sprayer or a pressurized “Hudson” type sprayer. Mix the pre-spray according to the chemical manufacturer’s directions. For best results, use the Advance CarpeTeam™ Pre-Spray chemical specially formulated for use with Advance carpet extractors.

PLAN FOR CLEANING

Before you begin extracting, look at the area to be cleaned and plan your work. Divide the space into sections. Overlap each pass 2 inches (5 cm).

KNOW YOUR MACHINE

- | | |
|---|---|
| 1. Reverse Button | 14. Wheel Drive Circuit Breaker (2 Amp) |
| 2. Decrease Speed Button | 15. Vacuum Motor Circuit Breaker (13 Amp) |
| 3. Speed Indicator Lights | 16. Drive Pedal |
| 4. Solution Button | 17. Brush Pedal |
| 5. Increase Speed Button | 18. Solution Hose Coupler |
| 6. Recovery Tank Cover | 19. Solution Filter |
| 7. Solution Fill Cover | 20. Recovery Tank Drain Hose |
| 8. Accessory Connection | 21. Plug Lug |
| 9. Brush Height Adjustment | 22. Main Switch |
| 10. Solution Shut-Off Lever | 23. Drive Lever |
| 11. Brush Drive Circuit Breaker (6 Amp) | 24. Vacuum Hose |
| 12. Power Cord | 25. Recovery Hose |
| 13. Solution Hc | |



OPERATION

1. Follow the instructions in the *Preparing the Machine for Use* section of this manual.
2. Connect the Power Cord (12) to the machine, then plug the Power Cord into a properly grounded outlet.
3. Make sure the Solution Fill Cover (7) and the Recovery Tank Cover (6) are firmly in place and the Solution Shut-Off Lever (10) is in the ON position. Then turn the Main Switch (22) ON.
4. Put the Brush Pedal (17) UP to lower the brush to the floor.
5. Step DOWN on the Drive Pedal (16) and push the pedal to the right to engage the drive motor.
6. Pull and hold the Drive Levers (23) UP to propel the machine. To adjust the travel speed, press the Increase Speed Button (5) or the Decrease Speed Button (2). To move backward, hold down the Reverse Button (1) while pulling the Drive Levers; release the Reverse Button to move forward again.
Note: There will be a slight pause between direction changes.
7. Press the Solution Button (4) to dispense solution to the brush. The Solution Button will light up to indicate that the solution is ON. **Solution is dispensed only while moving Forward** and automatically shuts off in Reverse. Press the Solution Button again to stop solution flow; the light will turn off.
8. Watch the fluid entering the recovery tank. If there is a large amount of suds in the recovery tank, add a defoamer chemical to the recovery tank.

CAUTION!

Empty the tank before the fluid or foam enters the right tube on the recovery tank cover.

If there is little or no fluid entering the recovery tank, look to the Solution Hose (13) at the back of the machine. If there is no fluid running through the Solution Hose, the solution tank may be empty. Refill the solution tank with water and the proper ratio of cleaning chemical.

USING ATTACHMENTS

To use accessory tools, attach the accessory vacuum hose to the left tube on the recovery tank cover. Attach the accessory solution hose to the Accessory Connection (8). Connect the other end of the vacuum and solution hoses to the accessory tool. When using accessory tools, step DOWN on the Brush Pedal (17) to raise the brush.

See your Advance Distributor for accessories that may be used with the **AquaMatic Selectric™** including:

- 260387 Drag Tool
- 249318 15 foot (4.5 meter) Extractor Hose Assembly
- 204203 Hand Tool
- 260340 Deluxe Hand Tool with Extractor Hose
- 249311 Power Liquidator

AFTER USE

1. Turn the Main Switch **(22)** OFF.
2. Step DOWN and lock the Brush Pedal **(17)** to raise the brush.
3. Put the Drive Pedal **(16)** UP to disengage the drive belt.
4. Unplug the Power Cord **(12)** from the power outlet.
5. Unhook the Recovery Tank Drain Hose **(20)**, direct the hose to a floor drain or bucket. Remove the hose plug, empty the recovery tank and rinse it with clean water.
6. Turn the Solution Lever **(10)** OFF and disconnect the Solution Hose Coupler **(18)**. Direct the hose to a floor drain or bucket, then turn the Solution Lever ON to empty the solution tank. Rinse the tank with clean water.
7. Unscrew the Solution Filter **(19)** cover and clean the screen.
8. Wipe the machine with a damp cloth. Do not use abrasive chemical or solvents.
9. **Perform any required maintenance before storage.**

MAINTENANCE SCHEDULE

MAINTENANCE ITEM	WEEKLY	MONTHLY	YEARLY
Clean & Check Power Brush	X		
Clean Pick-Up Tool	X		
Clean Spray Nozzle	X		
Lubrication		X	
Clean the Vacuum Exhaust Filter		X	
Check Vacuum Motor Brushes			X
Check Wheel Drive Motor Brushes			X
Clean the Solution Bladder			X

10. Store the machine in a clean, dry place with the tank covers open.

MAINTENANCE

WARNING!

Unplug the power cord before attempting any service or maintenance work to the machine.

MAINTENANCE NOTE

With the tanks empty and the power cord unplugged, tip the machine forward onto its nose for access to the Power Brush, Pick-Up Tool, and Spray Nozzle.

POWER BRUSH

Once a week, check the brush and remove any built-up string, hair or carpet fibers. Check the bristle length. Change the brush when the brush bristles are worn to 1/4 inch (6 mm).

PICK-UP TOOL

Once a week, check the pick-up tool and remove any built-up string, hair or carpet fibers.

SPRAY NOZZLE

Once a week, remove the spray nozzle located under the machine just in front of the brush. Soak the nozzle overnight in a vinegar and water rinse to remove chemical deposits.

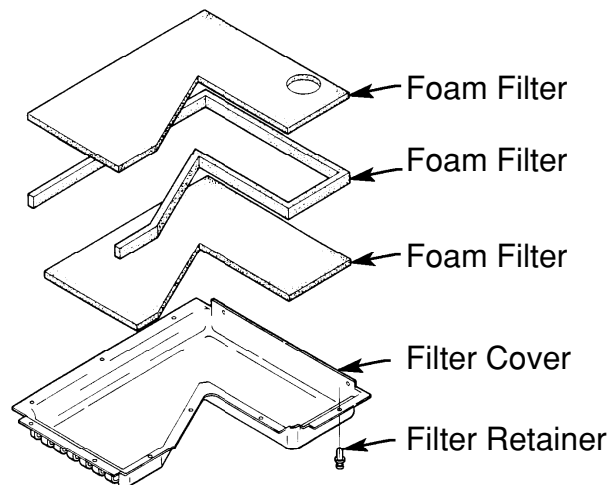
LUBRICATION

Once a month (or every 30 hours), lubricate all pivot points on the pick-up tool. For best results, use a spray silicone lubricant.

Once a month, pump grease into the grease fitting on the caster wheel until it seeps out around the bearing. Wipe off the excess grease to avoid staining carpet.

CLEANING THE VACUUM EXHAUST FILTERS

Clean the vacuum exhaust filters once a month. Remove the foam filters from the bottom of the machine and wash them in warm water. Let the filters dry completely before putting them back into the machine.



Cleaning the Vacuum Exhaust Filters

VACUUM MOTOR BRUSHES

Have the vacuum motor carbon brushes checked every 450 hours by a qualified Advance service person.

IMPORTANT!

Motor damage resulting from failure to service carbon brushes is not covered under warranty. See the Limited Warranty statement.

WHEEL DRIVE MOTOR BRUSHES

Have the wheel drive motor carbon brushes checked every 450 hours by a qualified Advance service person.

IMPORTANT!

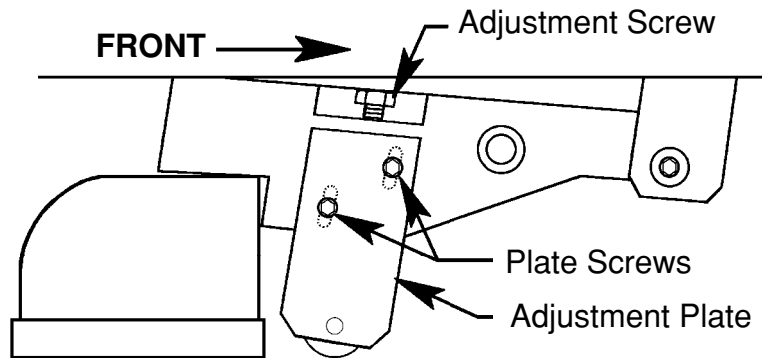
Motor damage resulting from failure to service carbon brushes is not covered under warranty. See the Limited Warranty statement.

SOLUTION BLADDER MAINTENANCE

Once a year, or as needed, carefully remove the solution bladder for a thorough cleaning.

ADJUSTING THE BRUSH HEIGHT

There is an Adjustment Plate on each side of the machine, just in front of the brush. To adjust the Brush Height, loosen the two Plate Screws on the side of the Adjustment Plates. Raise the plates to lower the brush; Lower the plates to raise the brush. Use a wrench to turn the Adjustment Screws to the desired position, then tighten the Plate Screws.

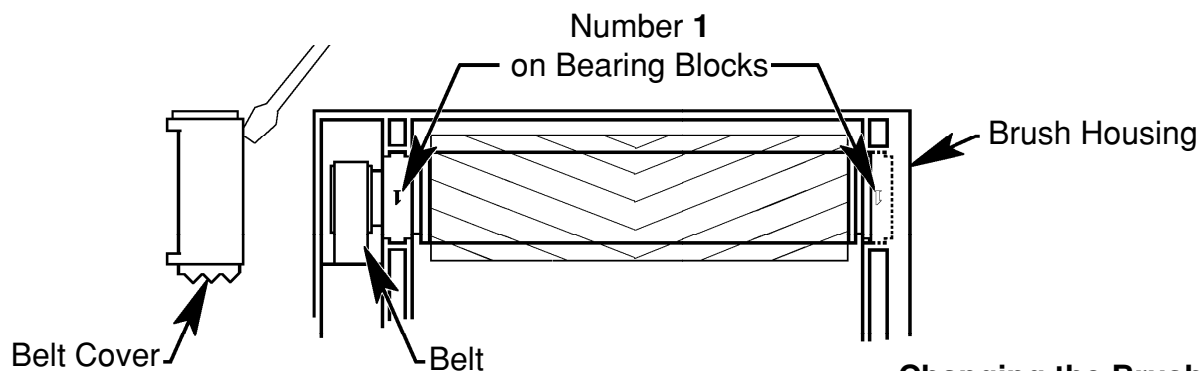


Adjusting the Brush Height

CHANGING THE BRUSH

Change the brush when the brush bristles are worn to 1/4 inch (6 mm).

1. Remove the Belt Guard from the left side of the machine.
2. Loosen the brush drive motor mount and slip the Belt off the motor pulley.
3. Tip the machine on its nose. Then pry the Belt Cover off the Brush Housing.
4. Pull the pulley end of the brush out of the Brush Housing.
5. Inspect the Belt for wear or damage, replace if necessary.
6. Place the Belt around the pulley on the new brush. Install the brush in the Brush Housing so that number 1 is visible on both bearing blocks.
7. Place the Belt over the motor pulley and tighten the motor mount.
8. Install the Belt Cover and Belt Guard.



Changing the Brush

WHEEL DRIVE CIRCUIT BREAKER (2 AMP)

When the Wheel Drive Circuit Breaker trips, check to see if there is debris wrapped around the wheel axle. Remove the debris from the axle. Have the wheel drive motor checked for worn out brushes; repair or replace the motor if necessary. Push the button to reset the circuit breaker.

If the circuit breaker trips repeatedly, call your local Advance Distributor for service.

BRUSH DRIVE CIRCUIT BREAKER (6 AMP)

When the Brush Drive Circuit Breaker trips, check to see if the brush height is set too low or if there is debris wrapped around the brush. Adjust the brush height or remove the debris from the brush. Push the button to reset the circuit breaker.

If the circuit breaker trips repeatedly, call your local Advance Distributor for service.

VACUUM MOTOR CIRCUIT BREAKER (13 AMP)

When the Vacuum Motor Circuit Breaker trips, check the exhaust filter and clean or replace if necessary. Have the vacuum motor checked for worn out bearings and/or brushes or bearing failure. Repair or replace the motor if necessary. Push the button to reset the circuit breaker.

If the circuit breaker trips repeatedly, call your local Advance Distributor for service.



Nilfisk-Advance, Inc.
14600 21st Avenue North
Plymouth, MN, 55447-3408
www.nilfisk-advance.com
Phone: 800-989-2235
Fax: 800-989-6566
©2000 Nilfisk-Advance, Inc.,
Plymouth, MN 55447-3408
Printed in the U.S.A.