



Electronic Service Manuals

This electronic document is provided as a service to our customers. We do not create the contents of the information contained in this document. Should you have detailed questions pertaining to the information contained in this document, you may contact Michco, or the manufacturer which provided the original information in this electronic deliverable. Michco's only part in this electronic deliverable was the electronic assembly process.

You may contact Michco through the following methods:
Phone (517) 484-9312 or (800) 331-3339 MI, OH, IN only
2011 N. High St. -- Lansing, Michigan -- 48906
Fax: (517) 484-9836
Email: CustServ@Michco.com
Web site: www.Michco.Com
Parts Web site: www.FloorMachineParts.Com

Order Parts on Line at:
www.FloorMachineParts.Com

Directly to Parts & Service:
By Email: **Shop@Michco.com**
By Fax: (517) 702-2041
By Voice: Use numbers above.

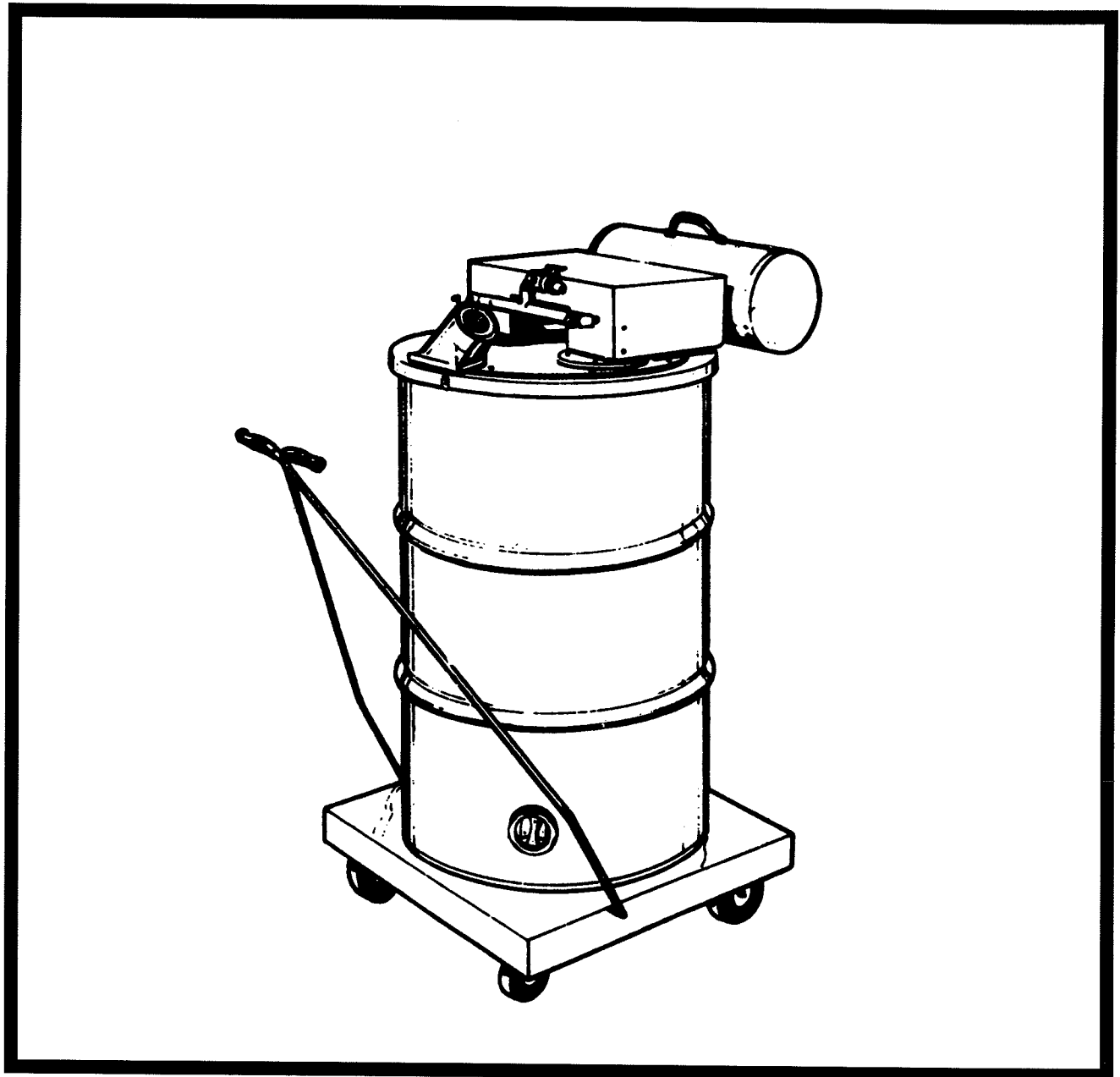
Serving the Cleaning Industry Since 1922

Notice: All copyrighted material remains property of original owners, all trademarks are property of respective owners. Manuals are subject to Manufacturer's reproduction limitations. Originals or reproductions were provided by manufacturers through a request. We make no warranty as to the correctness of information provided in this document and you assume all risk.

**Air Operated
H.E.P.A.
Filter
Vacuum**

**Model: C87155 (X701)
C87255 (X702)**

■ OPERATION ■ SERVICE ■ PARTS ■ CARE



Revised 5/94

Minuteman[®]

MODELS X701 AND X702 AIR OPERATED H.E.P.A. FILTER DRY VACUUMS

OPERATING INSTRUCTIONS

INSPECTION

Carefully unpack and inspect your machine for shipping damage. Each unit is tested and thoroughly inspected before shipment, therefore, any damage is the responsibility of the delivering carrier who should be notified. Read all instructions carefully before operating.

SPECIAL WARNING

Air operated equipment can generate static electricity during use. Static dissipating arcing can be generated and occur if equipment and accessories are not grounded. Risk of explosion is possible if operated near explosive materials or vapors. Do not operate this equipment near flammable materials such as solvents, thinners, fuels, grain dust, etc.

AIR PRESSURE AND C.F.M. VOLUME REQUIRED

For maximum performance, operate with requirements listed below:

<u>Model</u>	<u>Air Supply Line</u>	<u>Maximum Pressure</u>	<u>C.F.M.</u>
701	1/2"	100	46
702	3/4"	100	91

Air pressure control valve can be regulated to operate with lower pressure and C.F.M. when maximum is not required. OPTIONAL: Air pressure regulator can be attached at air valve for positive air pressure and C.F.M. control.

MODEL X701 AND X702 ASSEMBLY INSTRUCTIONS

(Follow schematic on page 9)

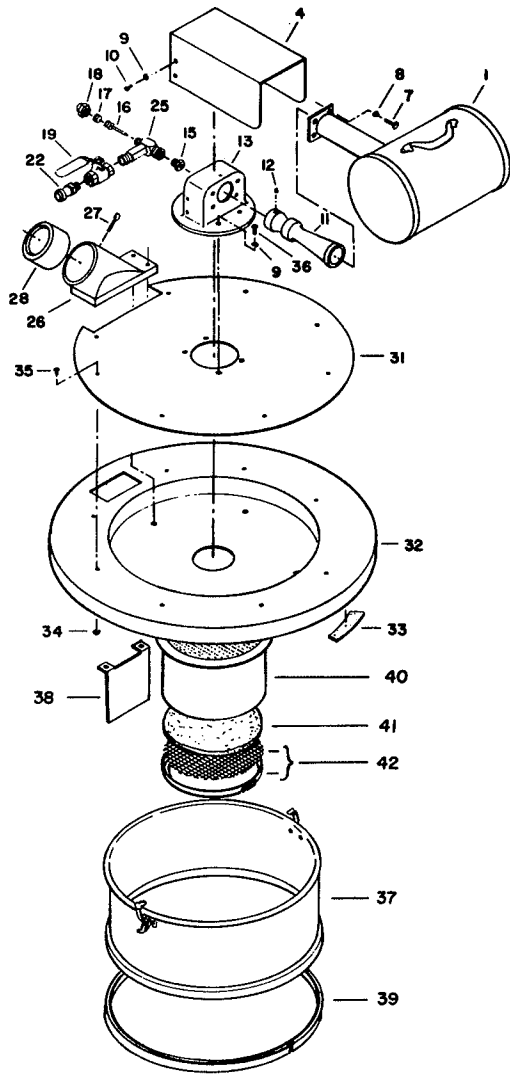
Always shut off air pressure valve and disconnect air pressure line from vacuum before removing lid assembly from tank or drum prior to cleaning.

For the benefit of your health, you should always wear a face mask approved for use with the toxic dust you may be recovering any time you are using or cleaning this vacuum cleaner. Check with your safety department or industrial hygienist for specific requirements for your application.

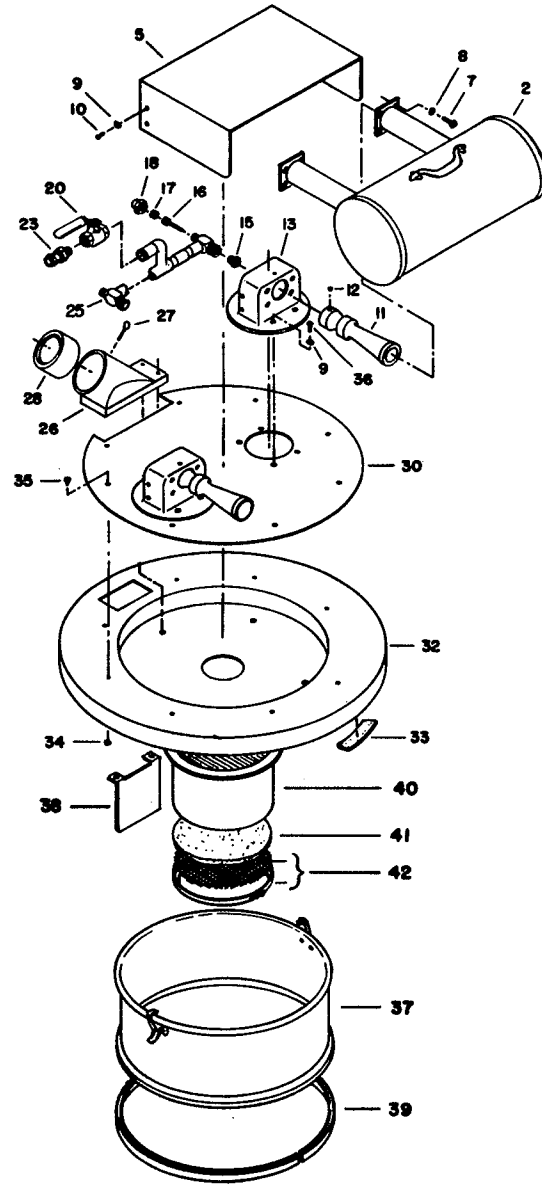
1. Place vacuum lid assembly #1 on worktable upside down.
2. Place pink impact filter # onto H.E.P.A. filter #2.
3. Center filter screen over impact filter and lock on with clamp #4.
4. Place adaptor ring #7 on table with locking latches up.
5. Insert filter bag protector #6 into adaptor ring and drape elastic over rim about one inch.
6. Place cloth filter bag #5 into adaptor ring and center to seat gasket around rim of adaptor.
7. Place adaptor ring assembly with filter protector and cloth bag onto the underside of the air vacuum. Center adaptor ring and clamp locking latches to underside of lid.
8. Vacuum lid assembly is now ready for dry recovery cleaning. Place vacuum lid on 55 gallon drum.

PROCEDURE FOR CLEANING AND REPLACING FILTERS

1. Remove vacuum lid assembly from 55 gallon drum and place on worktable upside down.
2. Detach clamp locking latches which are holding the adaptor ring #7 on the underside of the vacuum lid.
3. Remove cloth filter bag #5. If filter bag is soiled, you will need to vacuum it with a crevice tool after vacuum has been reassembled. A replacement filter bag should be kept on hand for this purpose.
4. Remove filter bag protector #6 from adaptor. Disposable filter protector must be the same as other hazardous materials.
5. Inspect pink impact filter #3 on H.E.P.A. filter #2. If impact filter shows discoloration due to penetration of material you are recovering, replace it with a clean, new filter. Disposal of impact filter must be the same as other hazardous materials.
6. Inspect H.E.P.A. filter #2 for soil penetration. Do not attempt to clean H.E.P.A. filter in any way. H.E.P.A. filter requires changing only when it becomes clogged due to penetration of dust particles through all the prefilters. Loss of vacuum performance after all the prefilters have been changed would indicate the need for replacing the H.E.P.A. filter.
7. **CAUTION:** Hazardous toxic dust materials must be disposed of properly. Never throw hazardous waste materials into your usual trash receptacle. Place debris in a plastic bag or container marked with the type of HAZARDOUS MATERIAL and contact a certified hazardous waste handler for final disposal.
8. Follow assembly instructions to put your vacuum back into service. Do not operate your vacuum unless all filters and prefilters are in place.



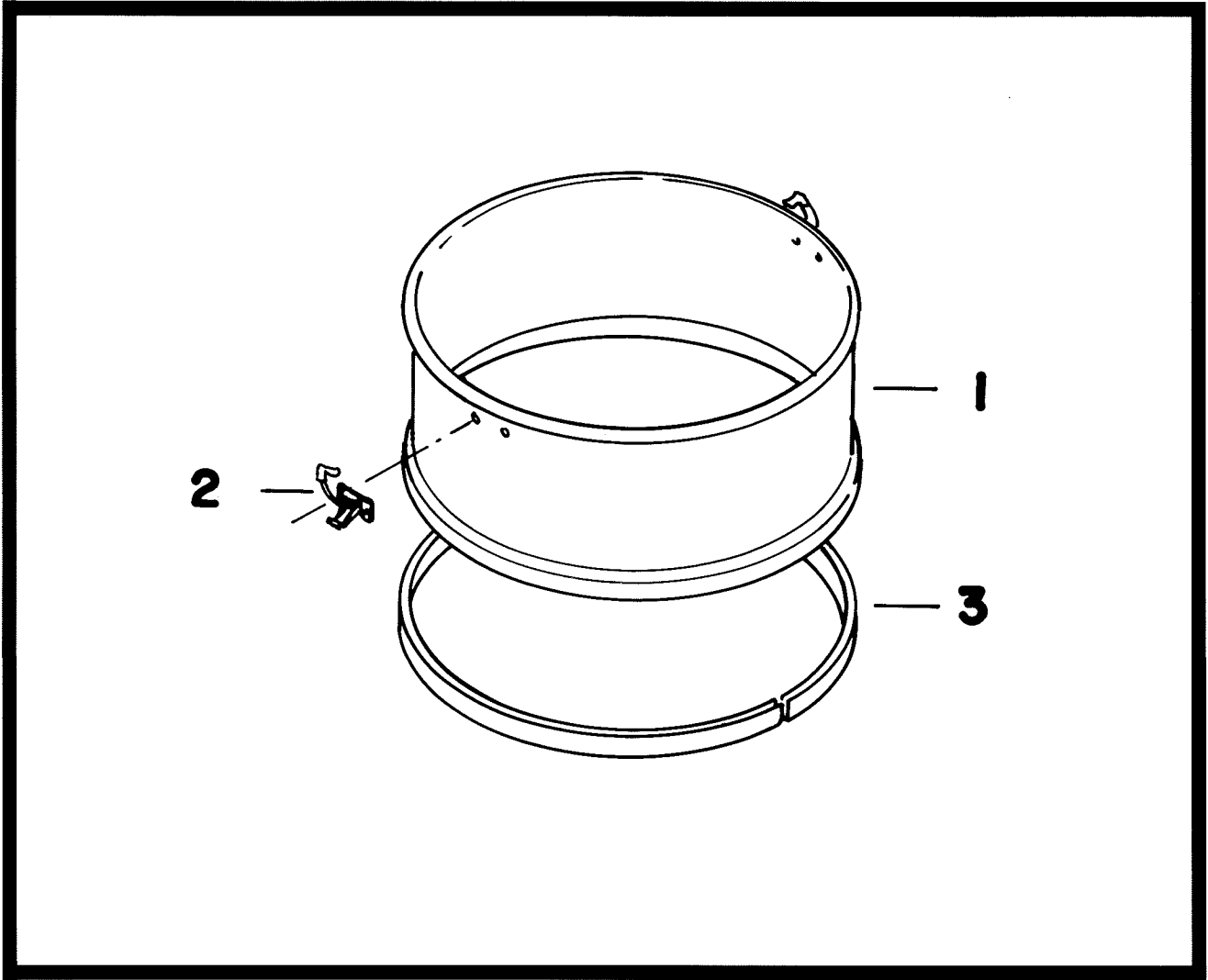
X701 - 701100



X702 - 702112

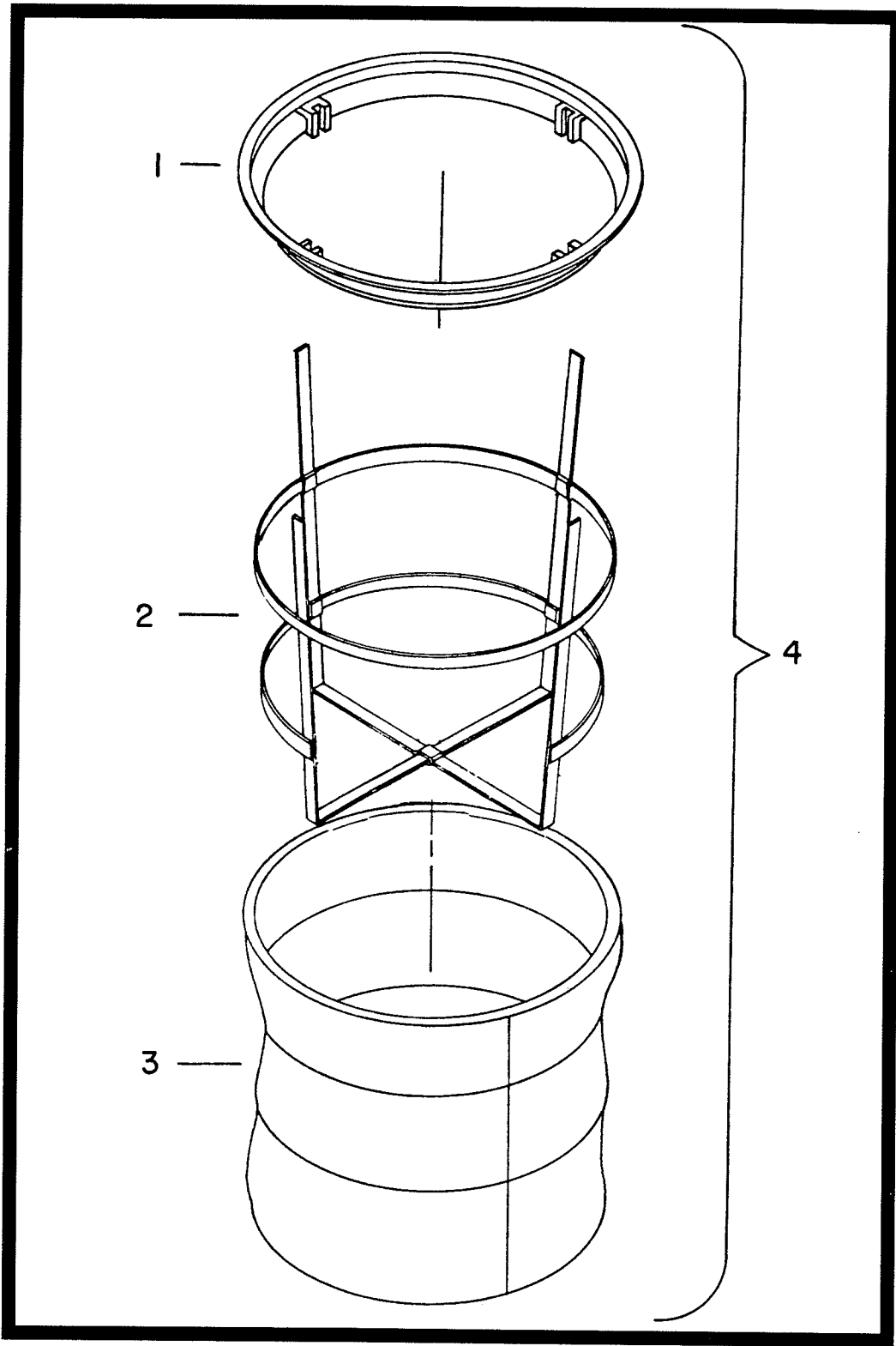
Parts Listing

<u>ITEM NO.</u>	<u>PART NO.</u>	<u>QUANTITY</u>	<u>DESCRIPTION</u>
1	701033	1	Muffler, 701
2	702021	1	Muffler, 702
3	704017	1	Muffler, 704
4	760998	1	Cover, 701
5	702023	1	Cover, 702
6	704020	1	Cover, 704
7	711229	4	BLT-HH 5/16-18 x 7/8
8	711545	4	WSR-LOC 5/16
9	710353	4	SCR-MC 10/32 x 3/8
10	711543	4	WSR-LOC #10
11	701006MCH	As required	Venturi horn
12	711005	As required	SCR-ST 1/4-20 x 5/16
13	701005MCH	1	Venturi housing 701-702
14	760009MCH	1	Venturi housing 704
15	701029	As required	Orifice
16	750641	As required	Needle asy
17	711010	As required	Set screw
18	711357	As required	Nut-acrown 5/8 x 11
19	701009	1	Air valve 1/2 701
20	702002	1	Air valve 3/4 702
21	704005	1	Air valve 1 704
22	701010	1	Coupler 701
23	702003	1	Coupler 702
24	704008	1	Coupler 704
25	702001	1	Valve body asy 702-704
25A	701007	1	Valve body asy 701-703
26	760008PTD	1	Intake
27	712016	1	Thumb screw
28	900056	1	Adapter
29	760012PTD	1	Lid cover
30	762214PTD	1	Lid cover
31	760011PTD	1	Lid cover
32	760164	1	Lid 55 gallon common
33	806006MCH	1	Gasket
34	761481	8	SCR protector
35	711109	8	SCR-self tap #12 x 1/2
36	710356	5	SCR-MC 10-32 x 5/8
37	750326	1	Splash Shield inc. #39
38	760159	1	Splash Guard
39	760165	1	Edging
40	110001	1	H.E.P.A. Filter
41	703007PKG	1	Pink Impact Filter (Pkg. 12)
42	750011	1	Impact Filter Retainer

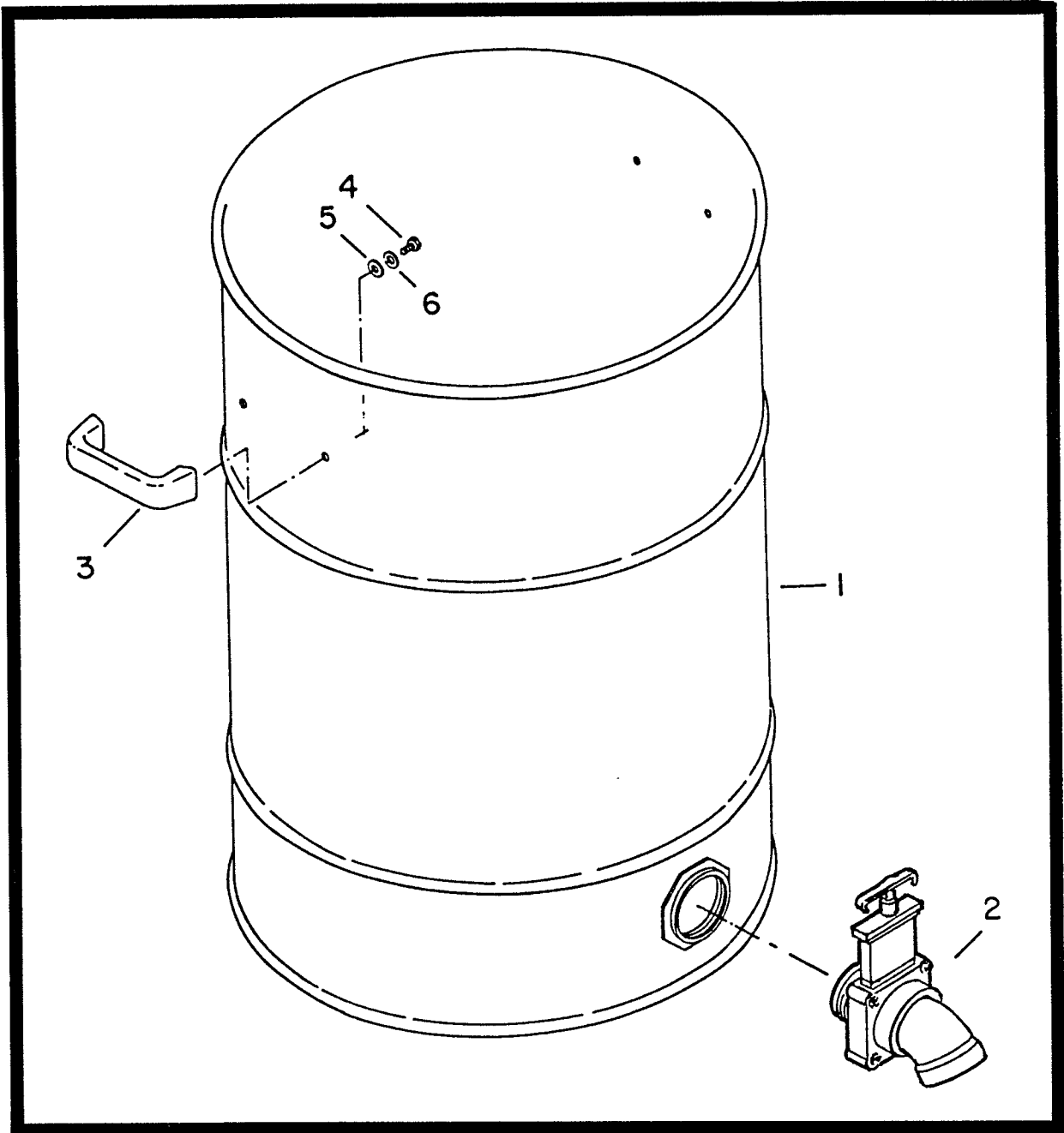


Parts Listing

<u>ITEM NO.</u>	<u>PART NO.</u>	<u>QUANTITY</u>	<u>DESCRIPTION</u>
1	750326	1	Adaptor, Compl. incl. 2 & 3
2	761054	2	Latch
3	760165	1	Edging

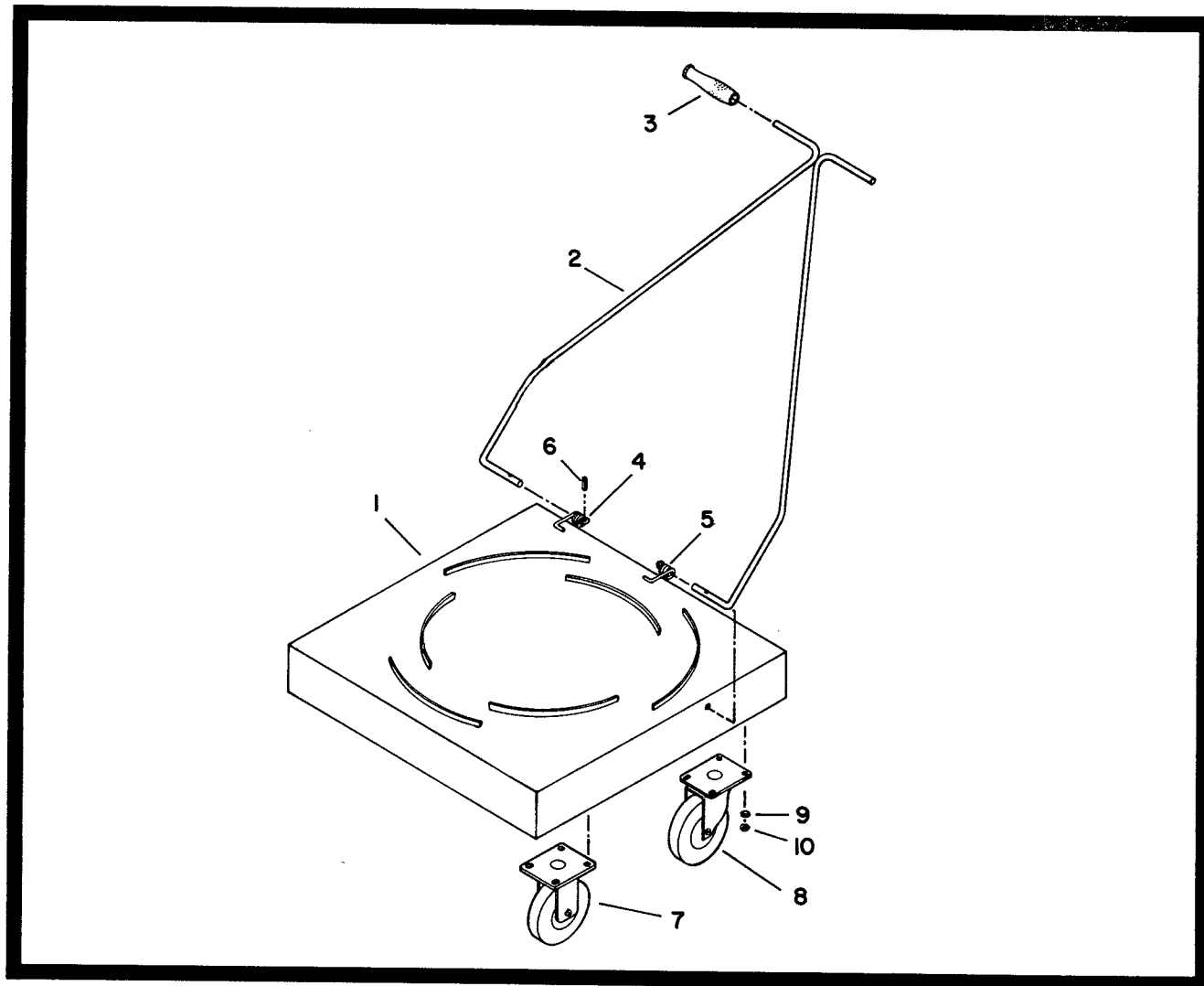


ITEM NO.	PART NO.	QTY	DESCRIPTION
1	760131	1	Molded bag ring
2	750097	1	Bag frame
3	805054	1	Cloth bag only
4	805057	1	Bag asy. complete



PARTS LIST

Item	Part No.	Qty	Description
1	900078PTD	1	Tank 30 Gal. PTD Less Handles
1a	900015PTD	1	Tank 55 Gal. PTD No Handles
2	900047	1	Dump Valve
3	900031POL	2	Handle, Tank Polished
4	711203	4	BLT, HH 1/4-20 x .62
5	711591	4	Washer, Rubber
6	711505	4	WSR, Flat 1/4
***	C90007-80		Tank 30 Gal. Complete
***	805037PKG		Drum Liner 30 Gal. Pkg. 12
***	805046PKG		Drum Liner 55 Gal. Pkg. 12



Parts Listings

<u>ITEM NO.</u>	<u>PART NO.</u>	<u>QUANTITY</u>	<u>DESCRIPTION</u>
1	750045	1	Weldment dolly 30/55
2	900051	1	Weldment, handle
3	900052	2	Grip, handle
4	900080	1	Spring, torsion RH
5	900081	1	Spring LH
6	711642	2	Rollpin
7	761050	2	Caster, rigid 5"
8	761049	2	Caster, swivel 5"
9	711545	16	WSR, helical Spr Loc 5/16
10	711319	16	Nut-Hex 5/16-18 ST PL
****	900048		Dolly cart complete

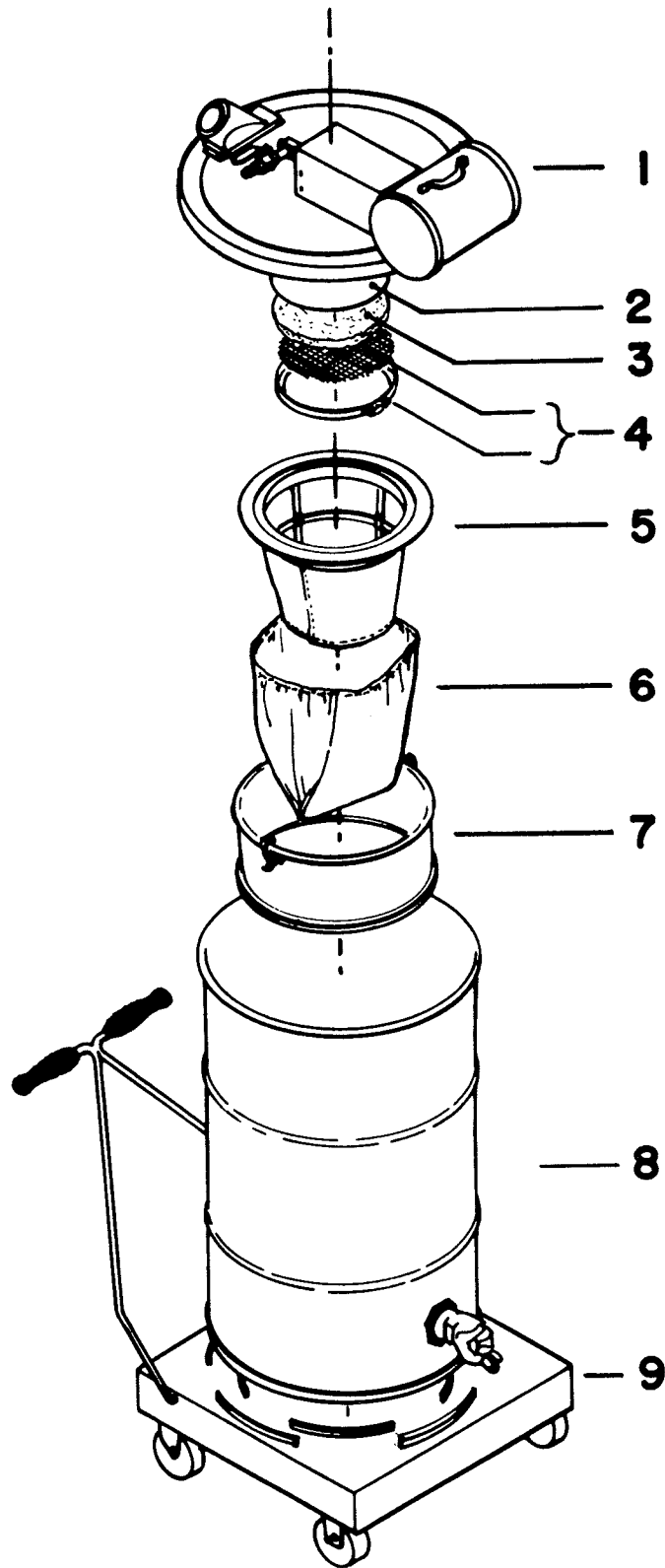


FIG. 1

1 — Vacuum Lid Assembly	X701 701100
	X702 702112
2 — H.E.P.A. Filter	110001
3 — Pink Impact Filter	703007PKG
4 — Filter Screen & Clamp	750011
5 — Cloth Filter	805057
6 — Filter Bag Protector	805038PKG
7 — Filter Bag Adaptor Ring	750326
8 — 55-gal Drum	900015PTD
9 — Drum Dolly	900048

LIMITED WARRANTY

Minuteman International, Inc. warrants to the original purchaser/user that this product is free from defects in workmanship and materials under normal use and service for a period of two years from date of purchase. In addition, Minuteman International, Inc. will, at its option, honor labor warranty claims for the first 12 months from date of sale, provided such claims are submitted through and approved by factory authorized repair stations. Minuteman International, Inc. will, at its option, repair or replace without charge, except for transportation costs, parts that fail under normal use and service when operated and maintained in accordance with the applicable operation and instruction manuals.

This warranty does not apply to normal wear, or to items whose life is dependent on their use and care, such as belts, cords, switches, hoses, rubber parts, electrical motor components or adjustments. Parts not manufactured by Minuteman International, Inc. such as engines, batteries, battery chargers, hydraulic pumps, and tires are covered by and subject to the warranties and/or guarantees of their manufacturers. Please contact Minuteman International, Inc. for procedures in warranty claims against these manufacturers.

Special warning to purchaser -- Use of replacement filters and/or prefilters not manufactured by Minuteman International, Inc. or its designated licensees, will void all warranties expressed or implied.

A potential health hazard exists without exact original equipment replacement.

All warranted items become the sole property of Minuteman International, Inc. or its original manufacturer, whichever the case may be.

Minuteman International, Inc. disclaims any implied warranty, including the warranty of merchantability and the warranty of fitness for a particular purpose. Minuteman International, Inc. assumes no responsibility for any special, incidental or consequential damages.

This limited warranty is applicable only in the U.S.A. and Canada, and is extended only to the original user/purchaser of this product. Customers outside the U.S.A. and Canada should contact their local distributor for export warranty policies. Minuteman International, Inc. is not responsible for costs or repairs performed by persons other than those specifically authorized by Minuteman International, Inc. This warranty does not apply to damage from transportation, alterations by unauthorized persons, misuse or abuse of the equipment, use of non-compatible chemicals, or damage to property, or loss of income due to malfunctions of the product.

If a difficulty develops with this machine, you should contact the dealer from whom it was purchased.

This warranty gives you specific legal rights, and you may have other rights which vary from state to state. Some states do not allow the exclusion or limitation of special, incidental or consequential damages, or limitations on how long an implied warranty lasts, so the above exclusions and limitations may not apply to you.

Minuteman[®]

World Headquarters
Minuteman International, Inc.
111 South Rohlwing Road
Addison, Illinois 60101

(630) 627-6900
FAX (630) 627-1130

Minuteman Canada, Inc.
2210 Drew Road
Mississauga, Ontario
L5S 1B1

(905) 673-3222
FAX (905) 673-5161

987881
Printed in U.S.A