

# MULTI-CLEAN®

Attn: Mike  
From: Julie

517-484 9836

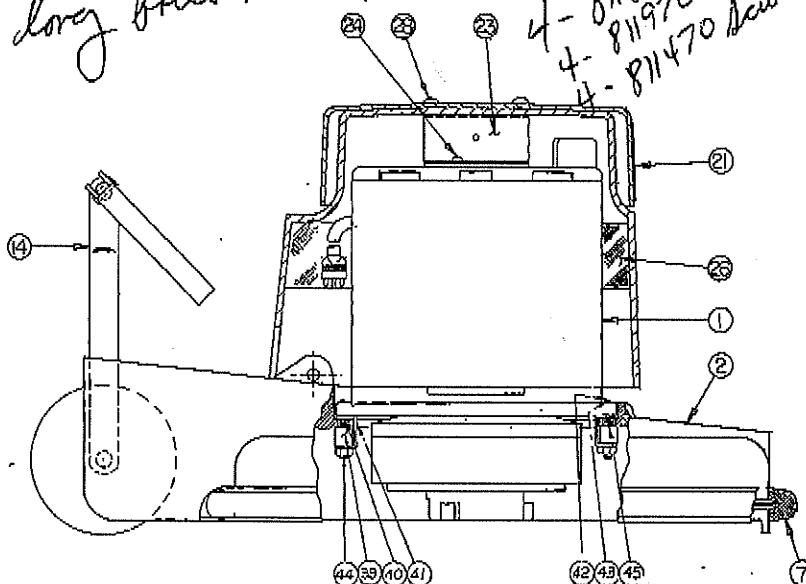
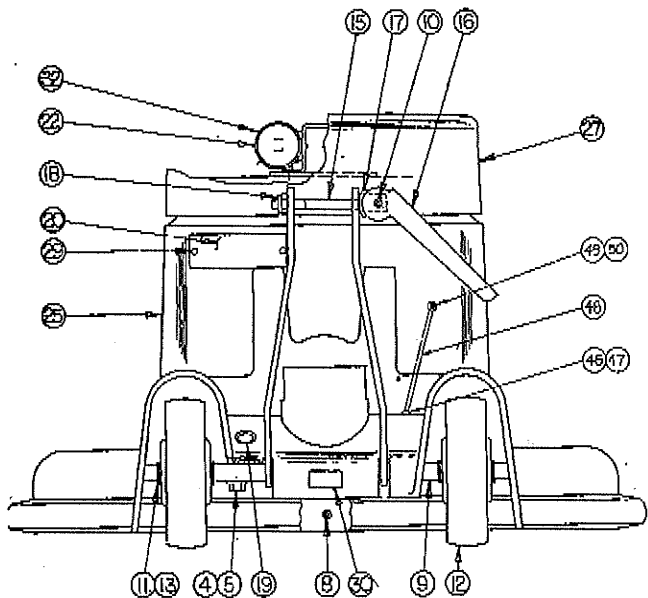
MC-16 830519 SN. 392226

MC-19 830512 SN. 392626

MC-22 830528 SN. 393126

115 V., 60 CYCLE

*For converting from short screws to long bolts holding motor -*  
1- 16007 Bracket  
4- 811878 Washer  
4- 811970 Washer  
4- 811470 Screw



ITEM	PART #	QTY.	DESCRIPTION	MC-16	MC-19	MC-22	ITEM	PART #	QTY.	DESCRIPTION	MC-16	MC-19	MC-22
1	832451	1	Motor Gearhead	X	X		22	832496	2	Capacitor	X	X	X
	832452	1	Motor Gearhead			X	23	832499	1	Bracket Motor Cover	X	X	X
2	830517	1	Base Painted	X			24	811037	2	Scr. #10-32 x 1/4 Sems	X	X	X
	829236	1	Base Painted		X		25	832475	1	Shroud - Motor	X	X	X
	830526	1	Base Painted			X	26	829489	1	Skokpak Foam	X	X	X
3							27	829194	1	Motor Cover	X	X	X
4	811476	2	Scr. 1/4-20 x 7/8 Hex	X	X	X	28	811543	2	Scr. 5/16-18 x 1/2	X	X	X
5	811878	2	Lockwasher 1/4	X	X	X	29	829214	2	Pop Rivet	X	X	X
6							30	830523	1	Decal - Date Code	X	X	X
7	803078	1	Bumper	X			31						
	803080	1	Bumper		X		32	832501	2	Capacitor Clip	X	X	X
	803081	1	Bumper			X	33	805051	1	Lead Assy.	X	X	X
8	829296	1	Roll Pin 1/4 x 7/8	X	X	X	34						
9	803609	1	Axle	X	X	X	35						
10	806561	1	Roll Pin	X	X	X	36						
11	700435	4	Spring Washer	X	X	X	37						
12	804545	2	Wheel 4 1/2"	X	X	X	38						
13	700430	4	"E" Ring	X	X	X	39	832633	4	Isolation Mount	X	X	X
14	807248	2	Handle Brace	X	X	X	40	832631	4	Spot Welded Channel	X	X	X
15	807190	1	Bolt Cam	X	X	X	41	832628	4	Isolation Bracket	X	X	X
16	806558	1	Kick Lever	X	X	X	42	811087	4	SSTL Screw 10-24x1/2	X	X	X
17	806555	1	Cam Washer	X	X	X	43	832682	4	#10 Spring Lockwasher	X	X	X
18	811893	1	Locknut 5/16	X	X	X	44	811981	4	1/4-20 Flange Locknut	X	X	X
19	804479	1	Plug	X	X	X	45	832681	4	5/16 Spring Lockwasher	X	X	X
20	832553	1	Nameplate	X			46	811402	1	1/4-20x3/8 GRD Screw	X	X	X
	832556	1	Nameplate		X		47	811889	1	1/4 INT. Lockwasher	X	X	X
	832557	1	Nameplate			X	48	805622	1	GRND. Lead	X	X	X
21	832485	1	Decal - Multi-Clean	X	X	X	49	811073	1	10-24x3/8 Self Tap Screw	X	X	X
							50	809160	1	Terminal, GRND	X	X	X

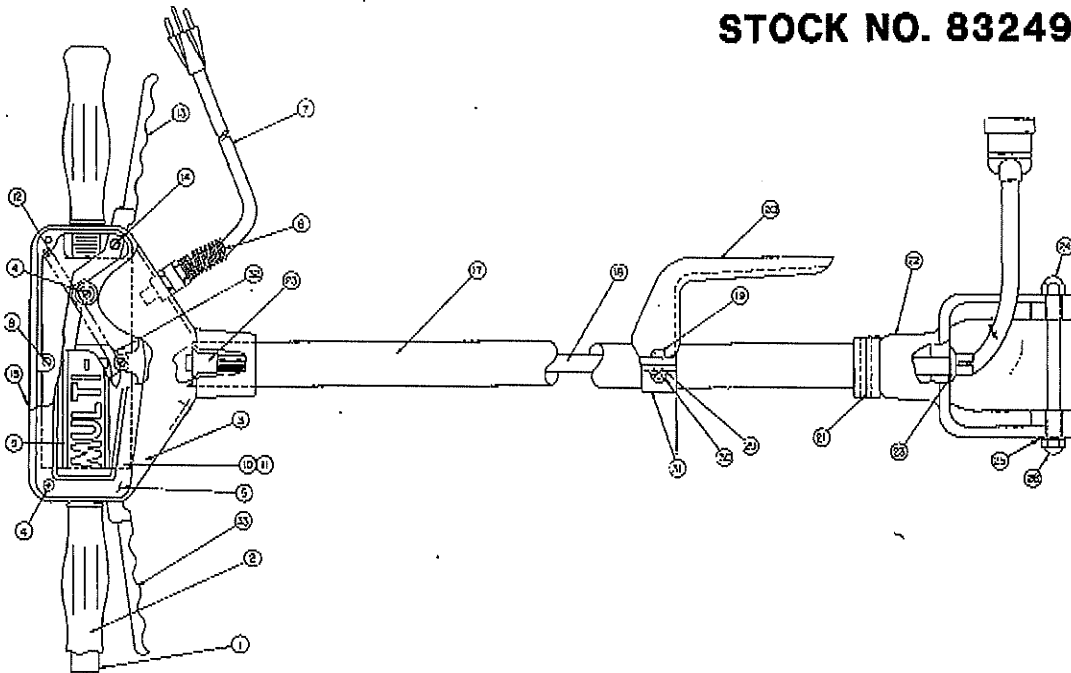
832533 - *Order*  
10/20/84



H.B. Fuller Company  
Multi-Clean Products Division

2277 Ford Parkway  
Saint Paul, Minnesota 55116

## HANDLE ASSEMBLY STOCK NO. 832490



<u>ITEM</u>	<u>PART #</u>	<u>QTY.</u>	<u>DESCRIPTION</u>
1	802458	2	Tube, Grip
2	208	2	Grip, Handle
3	829222	1	Box, Switch
4	810516	4	Scr. #8-32 x 3/8
5	829223	1	Cover Switch
6	808999	1	Strain Reliever
7	829879	1	Cord
8	810325	2	Screw 6-32 x 1.00
9	831467	1	Handle Decal
10	831599	1	Insulation
11	807834	1	Insulation
12	831598	1	Spring
13	805823	1	Lever, Switch LH
14	811463	2	Bolt, Shoulder 1/4-20
15	830522	1	Decal, Warning
16	806021	6	Terminal
17	803056	1	Tube
18	832328	1	Wire Handle
19	811470	2	Screw 1/4-20 x 1-1/8
20	829221	1	Hook, Cord
21	16224	1	Clamp, Handle
22	803379	1	Yoke, Lower
23	802430	2	Reliever, Strain
24	802895	1	Axle
25	811890	1	Lockwasher 5/16
26	811894	1	Nut, Cap 5/16-18
27			
28			
29	811878	2	Lockwasher 1/4
30	811882	2	Nut, Cap 1/4-20
31	829219	1	Clamp, Cord Hook
32	801929	1	Switch Assy.
33	805822	1	Lever, Switch RH

APRIL 16.1984