



# Electronic Service Manuals

This electronic document is provided as a service to our customers. We do not create the contents of the information contained in this document. Should you have detailed questions pertaining to the information contained in this document, you may contact Michco, or the manufacturer which provided the original information in this electronic deliverable. Michco's only part in this electronic deliverable was the electronic assembly process.

You may contact Michco through the following methods:  
Phone (517) 484-9312 or (800) 331-3339 MI, OH, IN only  
2011 N. High St. -- Lansing, Michigan -- 48906  
Fax: (517) 484-9836  
Email: [CustServ@Michco.com](mailto:CustServ@Michco.com)  
Web site: [www.Michco.Com](http://www.Michco.Com)  
Parts Web site: [www.FloorMachineParts.Com](http://www.FloorMachineParts.Com)

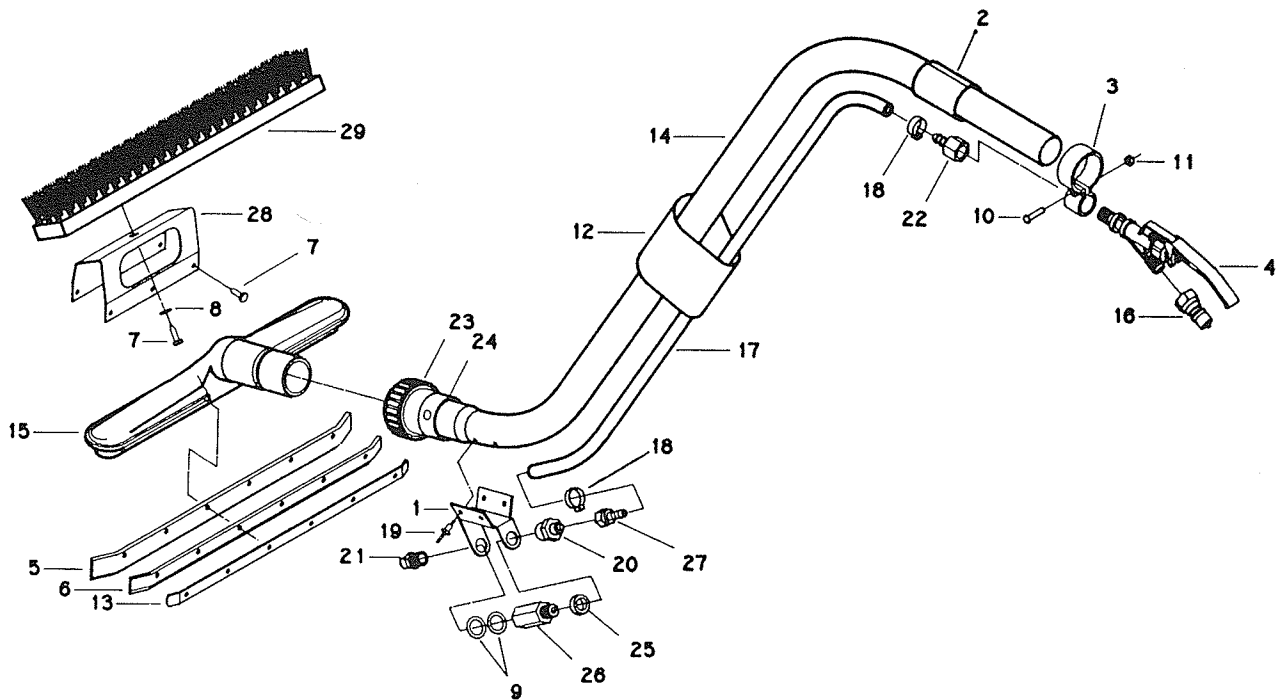
Order Parts on Line at:  
**[www.FloorMachineParts.Com](http://www.FloorMachineParts.Com)**

Directly to Parts & Service:  
By Email: **[Shop@Michco.com](mailto:Shop@Michco.com)**  
By Fax: (517) 702-2041  
By Voice: Use numbers above.

**Serving the Cleaning Industry Since 1922**

Notice: All copyrighted material remains property of original owners, all trademarks are property of respective owners. Manuals are subject to Manufacturer's reproduction limitations. Originals or reproductions were provided by manufacturers through a request. We make no warranty as to the correctness of information provided in this document and you assume all risk.

# Minuteman®



ITEM	PART NO.	QTY	DESCRIPTION	ITEM	PART NO.	QTY	DESCRIPTION
1	100004	1	Spray Jet Bkt.	17	828488	3	Hose 1/4 x .5 275 PSI Nylo
2	100005	1	Adapter Sleeve 1.25 x 1.5	17A	100013	1	Sol. Hose Assy. (Incl. 18, 22, 27)
3	390056	1	Valve Mount	18	882490	2	Crimp Clamp 140R
4	390066	1	Solution Valve Assy. Complete	19	828893	4	Pop Rivet
5	500295	2	Rubber Squeegee	20	828953	1	Flare Connector
6	500296	2	Rubber Reinforcement	21	829115	1	Vee Jet 1/4
7	711106	14	SCR-ST-A 10 .75 PL	22	831327	1	1/4 FMPT x 1/4 Hose BARB
8	711503	2	WSR - Flat #10	23	832284	1	Nut
9	711594	2	WSR - Flat .56 x .88 x .03 NI	24	832285	1	Yoke
10	712545	1	SCR-MC 10 - 32 x .87 SS	25	832884	1	Spacer
11	712636	1	Nut - Hex 10 - 32 SS	26	833384	1	Check Valve
12	726164	2	Tube, Shrink 1.50 ID HSPVC	27	833488	1	HB Swiv. FI 146HBLFSV-4-4
13	800615	2	Retainer Strip	28	833789	2	Mounting Bkt.
14	804022	1	Wand, 1 1/4 S Type	29	833841	1	Brush
15	808648	1	Nozzle Squeegee		100002		Wand Assembly Complete
16	828368	1	BH2-61 Male Coupler		833877		Brush Squeegee Tool Complete

# Minuteman®

**World Headquarters**  
 Minuteman International, Inc.  
 111 South Rohlwing Road  
 Addison, Illinois 60101

(630) 627-6900  
 FAX (630) 627-1130

Minuteman Canada, Inc.  
 84-E Brunswick Blvd.  
 Dollard des Ormeaux  
 Quebec H9B 2C5

(514) 683-3880  
 FAX (514) 683-0809